

# Shindaiwa Illustrated Parts List

## DH220 EC1 Hedge Trimmer

---

|  |       |
|--|-------|
| CYLINDER / CRANKCASE / CRANKSHAFT /<br>CLUTCH / FAN COVER / MUFFLER /<br>RECOIL SPRING / PISTON / ROTOR /<br>COIL / CLEANER / FUEL TANK..... | 2 - 3 |
| CARBURETOR.....  | 4     |
| GEAR CASE / CUTTER.....  | 5     |
| HANDLES / THROTTLE LEVER / COIL.....   | 6     |
| TOOL SET.....  | 7     |

[www.shindaiwa.com](http://www.shindaiwa.com)

11975 SW Herman Road

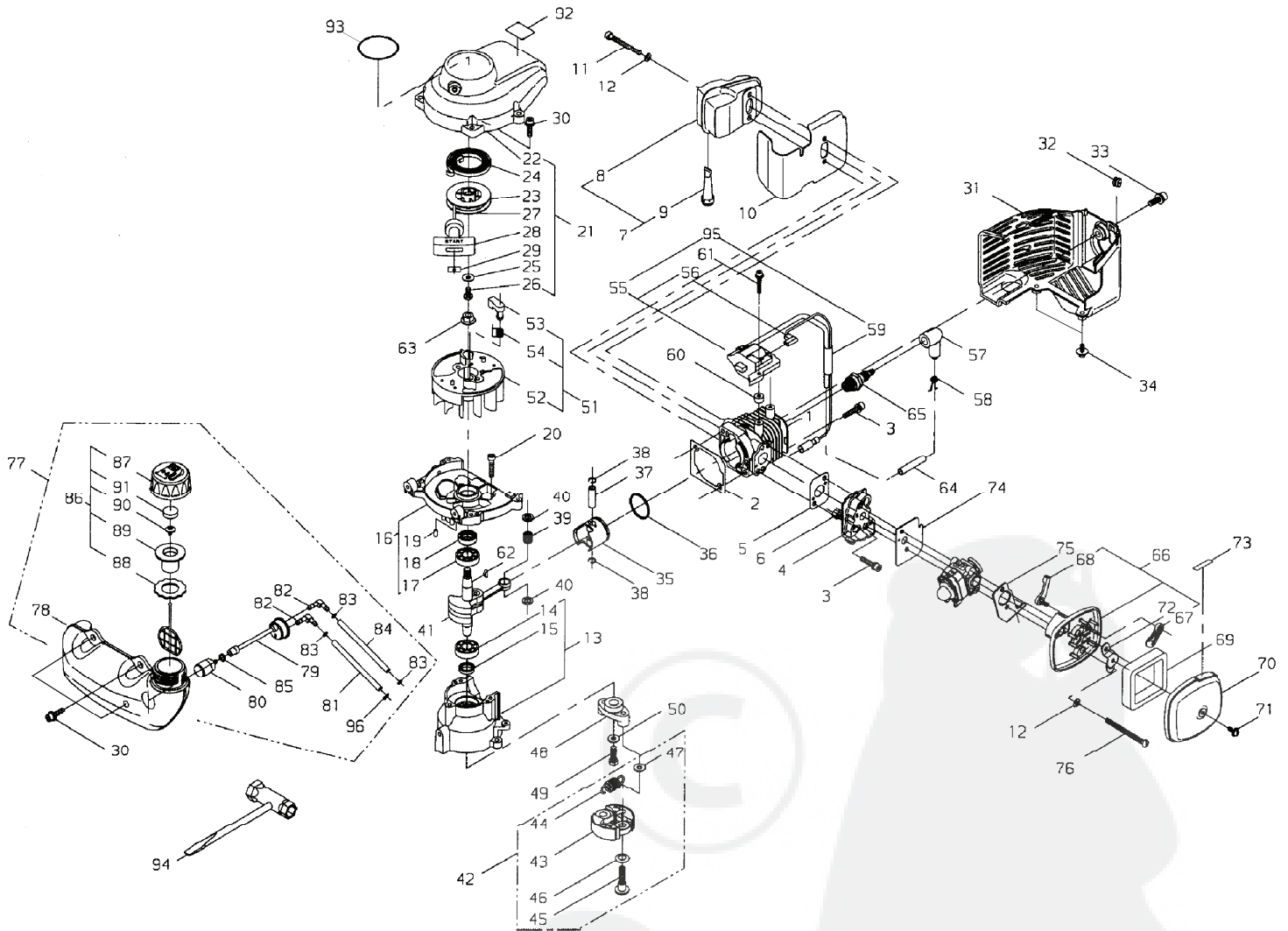
Tualatin, Oregon 97062, U.S.A.

1 + 503.692.3070 • fax 1 + 503.692.6696 •

**shindaiwa**

**CYLINDER / CRANKCASE / CRANKSHAFT /  
CLUTCH / FAN COVER / MUFFLER /  
RECOIL SPRING / PISTON / ROTOR /  
COIL / CLEANER / FUEL TANK**

ILLUSTRATION 1 - REV 5/05



| Ref. No | Part No.    | Part Name | Q'ty |
|---------|-------------|-----------|------|
| 1-1     | 20142-12110 | CYLINDER  | 1    |
| 2       | 20870-12121 | GASKET    | 1    |
| 3       | 11022-05250 | BOLT SPW  | 4    |
| 4       | 20140-12210 | INSULATOR | 1    |
| 5       | 20140-12221 | GASKET    | 1    |
| 6       | 20011-12260 | NUT       | 2    |

| Ref. No | Part No.    | Part Name        | Q'ty |
|---------|-------------|------------------|------|
| 7       | 67000-15010 | MUFFLER ASSEMBLY | 1    |
| 8       | 67000-15110 | *MUFFLER         | 1    |
| 9       | 67000-15340 | *SPARK ARRESTER  | 1    |
| 10      | 68120-15210 | GASKET           | 1    |
| 11      | 01020-05400 | BOLT             | 2    |
| 12      | 01610-05080 | WASHER           | 4    |

**CYLINDER / CRANKCASE / CRANKSHAFT /  
CLUTCH / FAN COVER / MUFFLER /  
RECOIL SPRING / PISTON / ROTOR /  
COIL / CLEANER / FUEL TANK**

ILLUSTRATION 1 - REV 5/05

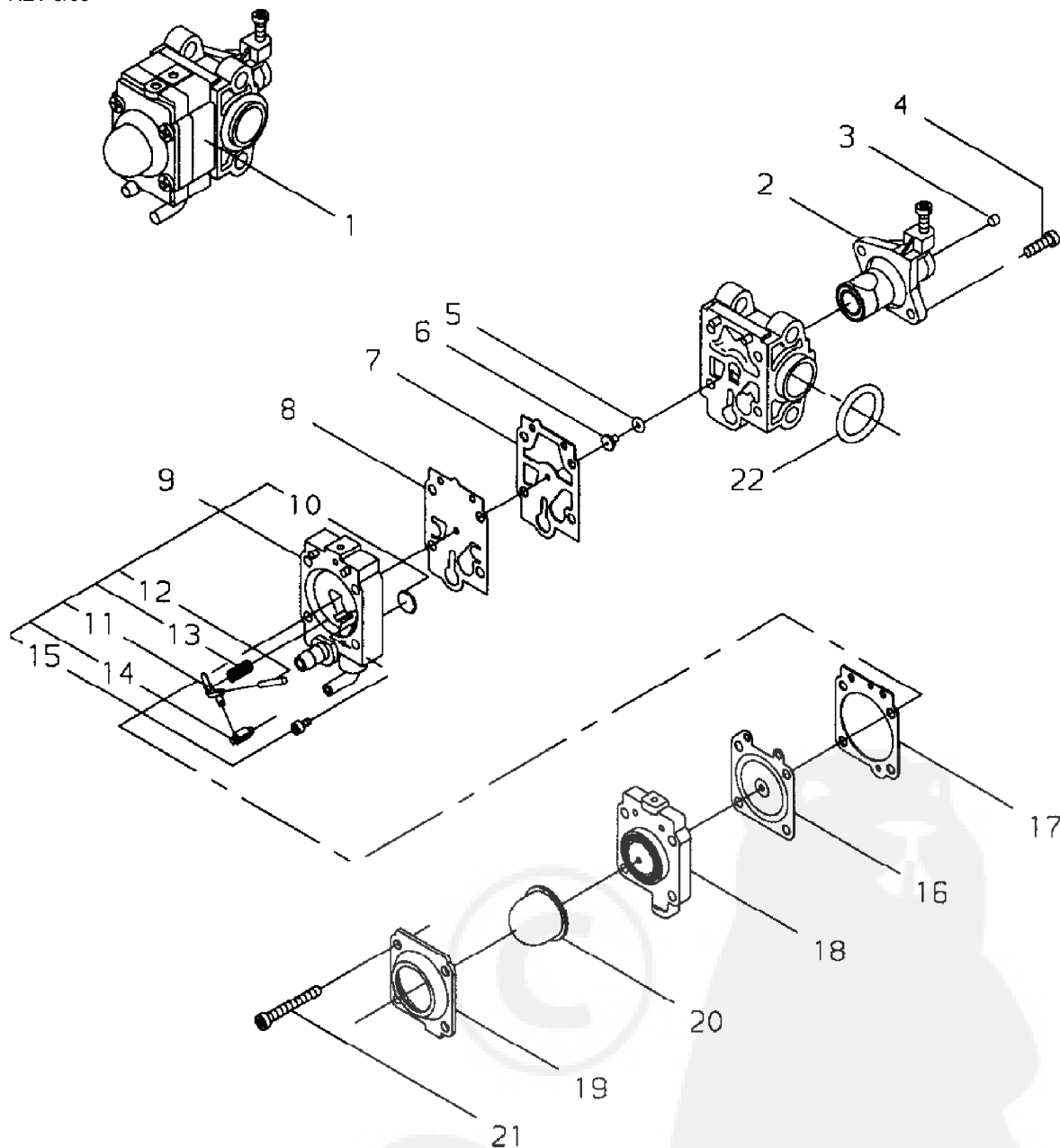
|    |             |                    |   |
|----|-------------|--------------------|---|
| 13 | 20870-21100 | CRANKCASE PTO COMP | 1 |
| 14 | 12900-60010 | *BEARING           | 1 |
| 15 | 22150-21250 | *OIL SEAL          | 1 |
| 16 | 20870-21301 | CRANKCASE M COMP   | 1 |
| 17 | 12900-60010 | *BEARING           | 1 |
| 18 | 20000-21211 | *OIL SEAL          | 1 |
| 19 | 12492-40080 | *ROLLER            | 2 |
| 20 | 01020-05250 | BOLT               | 3 |
| 21 | 68120-31010 | FAN COVER ASSEMBLY | 1 |
| 22 | 68120-31110 | *FAN COVER         | 1 |
| 23 | 70030-75120 | *REEL              | 1 |
| 24 | 70030-75130 | *RECOIL SPRING     | 1 |
| 25 | 70030-75140 | *WASHER            | 1 |
| 26 | 20035-75170 | *SCREW             | 1 |
| 27 | 70030-75160 | *ROPE              | 1 |
| 28 | 20010-75190 | *STARTER KNOB      | 1 |
| 29 | 20010-75210 | *STOPPER           | 1 |
| 30 | 11060-05202 | BOLT ADHESIVE      | 7 |
| 31 | 68120-32110 | CYLINDER COVER     | 1 |
| 32 | 20011-72120 | GROMMET            | 1 |
| 33 | 11022-06160 | BOLT SPW           | 1 |
| 34 | 11060-04163 | BOLT ADHESIVE      | 2 |
| 35 | 20142-41110 | PISTON             | 1 |
| 36 | 20142-41210 | PISTON RING        | 1 |
| 37 | 20142-41310 | PISTON PIN         | 1 |
| 38 | 70030-41320 | SNAP RING          | 2 |
| 39 | 20016-41330 | NEEDLE BEARING     | 1 |
| 40 | 20016-41340 | THRUST WASHER      | 2 |
| 41 | 68120-42010 | CRANKSHAFT         | 1 |
| 42 | 67000-51011 | CLUTCH SHOE SET    | 1 |
| 43 | 20035-51111 | *CLUTCH SHOE       | 2 |
| 44 | 20035-51221 | *CLUTCH SPRING     | 1 |
| 45 | 20142-51210 | *BOLT              | 2 |
| 46 | 20087-51231 | *SPRING PLATE      | 2 |
| 47 | 22100-71430 | *WASHER            | 2 |
| 48 | 20870-51211 | CLUTCH BOSS        | 1 |
| 49 | 20870-51220 | BOLT               | 1 |
| 50 | 22100-71430 | WASHER             | 1 |
| 51 | 20870-71100 | ROTOR SUB ASSEMBLY | 1 |
| 52 | 20870-71110 | *ROTOR             | 1 |
| 53 | 20870-71120 | *RATCHET           | 1 |
| 54 | 20870-71130 | *COIL SPRING       | 1 |

| Ref. No | Part No.    | Part Name                 | Q'ty |
|---------|-------------|---------------------------|------|
| 95      | 68120-98310 | COIL SET                  | 1    |
| 55      | 68120-71021 | *COIL ASSEMBLY            | 1    |
| 56      | 20870-71222 | **CORD                    | 1    |
| 59      | 20016-71651 | *TUBE                     | 1    |
| 57      | 22102-72220 | PLUG CAP                  | 1    |
| 58      | 20000-72230 | SPRING SPARKPLUG          | 1    |
| 60      | 68120-71320 | INSULATOR                 | 2    |
| 61      | 11024-04261 | BOLT SLPW                 | 2    |
| 62      | 02403-03100 | KEY                       | 1    |
| 63      | 20035-71220 | NUT                       | 1    |
| 64      | 70064-72111 | TUBE                      | 1    |
| 65      | 13000-13406 | SPARKPLUG BMR6A           | 1    |
| 66      | 20140-81700 | CLEANER BODY SUB ASSEMBLY | 1    |
| 67      | 20140-81720 | *CHOKE PLATE              | 1    |
| 68      | 20140-81730 | *CHOKE LEVER              | 1    |
| 69      | 20140-82210 | FILTER                    | 1    |
| 70      | 20140-81790 | CLEANER COVER             | 1    |
| 71      | 37019-82340 | SCREW PM SLPW             | 1    |
| 72      | 20018-81721 | BACK PLATE                | 1    |
| 73      | 19404-00008 | LABEL CHOKE               | 1    |
| 74      | 68120-82310 | GASKET                    | 1    |
| 75      | 68120-81310 | CABLE HOLDER              | 1    |
| 76      | 11203-05658 | SCREW PM                  | 2    |
| 77      | 68122-85011 | FUEL TANK ASSEMBLY        | 1    |
| 78      | 68120-85110 | *FUEL TANK                | 1    |
| 79      | 20870-85121 | *FUEL PIPE                | 1    |
| 80      | 20016-85400 | *FUEL FILTER              | 1    |
| 81      | 20870-85132 | *PIPE                     | 1    |
| 82      | 20087-85340 | *JOINT                    | 2    |
| 83      | 20020-85540 | *CLIP                     | 3    |
| 84      | 68120-85330 | *PIPE                     | 1    |
| 85      | 20000-85350 | *CLAMP B                  | 1    |
| 86      | 62800-85021 | *FUEL CAP ASSEMBLY        | 1    |
| 87      | 20870-85310 | **FUEL CAP                | 1    |
| 88      | 20870-85160 | **PACKING                 | 1    |
| 89      | 62800-85310 | **HOLDER COMP             | 1    |
| 90      | 20870-85320 | **VALVE FUEL              | 1    |
| 91      | 20870-85210 | **PACKING                 | 1    |
| 96      | 37013-85310 | *CLIP                     | 1    |
| 92      | 19404-00033 | LABEL DECIBEL             | 1    |
| 93      | 38121-91020 | LABEL TRADE               | 1    |
| 94      | 22000-91181 | PLUG WRENCH               | 1    |

\* Denotes item is part of an assembly \*\* Denotes item is part of a sub-assembly

## CARBURETOR

ILLUSTRATION 2 - REV 5/05

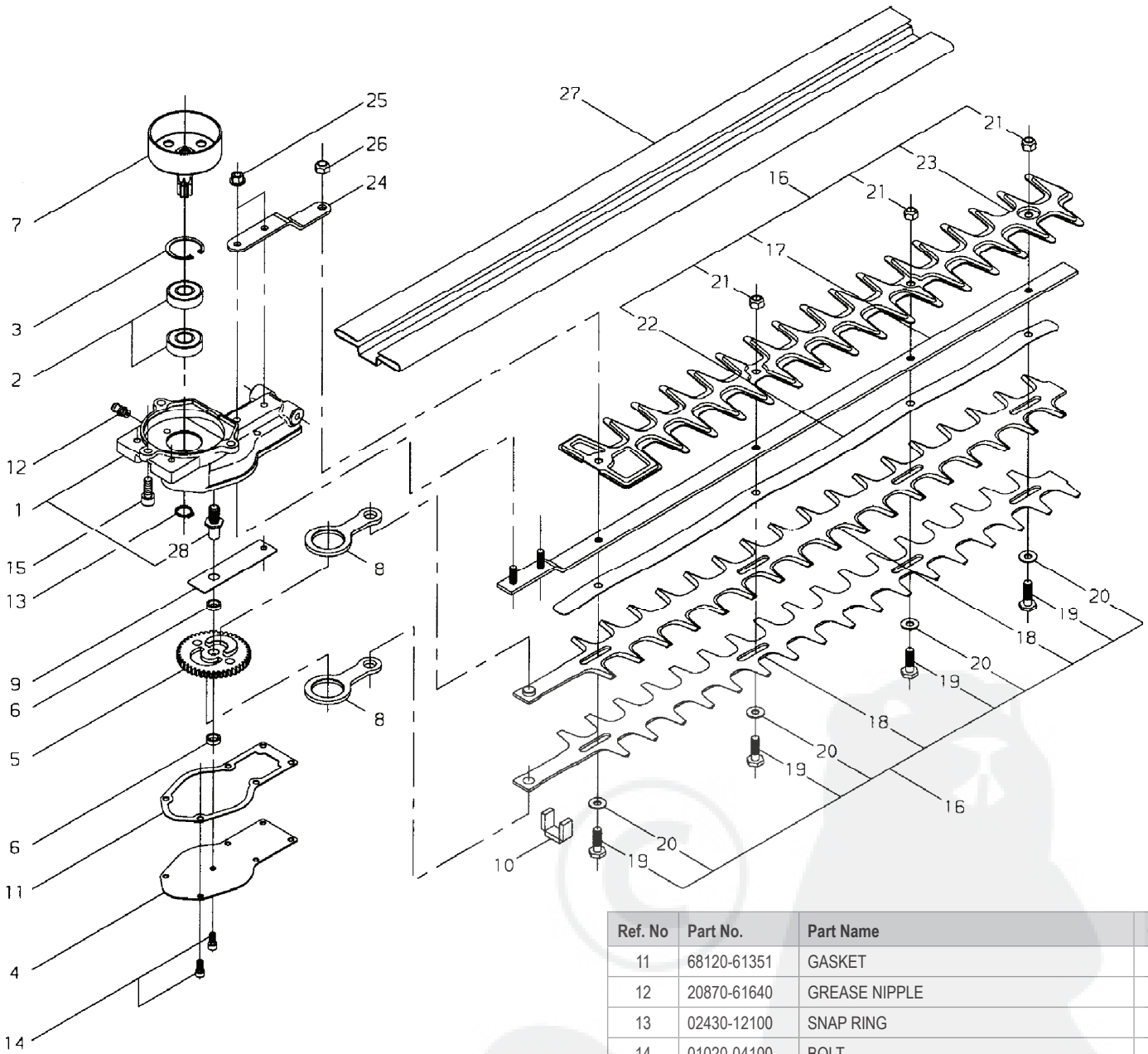


| Ref. No | Part No.    | Part Name           | Q'ty |
|---------|-------------|---------------------|------|
| 2-1     | 68120-81010 | CARBURETOR ASSEMBLY | 1    |
| 2       | 20016-81180 | *VALVE ASSEMBLY     | 1    |
| 3       | 62074-81320 | *PLAG               | 1    |
| 4       | 70064-81290 | *SCREW              | 2    |
| 5       | 70097-81220 | *O-RING             | 1    |
| 6       | 70064-81230 | *MAIN JET           | 1    |
| 7       | 70097-81310 | *GASKET PUMP        | 1    |
| 8       | 70097-81320 | *DIAPHRAGM          | 1    |
| 9       | 20016-81410 | *PUMP BODY COMP     | 1    |
| 10      | 70030-81380 | **SCREEN            | 1    |
| 11      | 22100-81230 | **LEVER             | 1    |

| Ref. No | Part No.    | Part Name           | Q'ty |
|---------|-------------|---------------------|------|
| 12      | 22100-81250 | **PIN               | 1    |
| 13      | 20016-81270 | **SPRING            | 1    |
| 14      | 20036-81440 | **NEEDLE VALVE      | 1    |
| 15      | 20016-81450 | **SCREW             | 1    |
| 16      | 22100-81260 | *DIAPHRAGM ASSEMBLY | 1    |
| 17      | 20016-81280 | *GASKET             | 1    |
| 18      | 20016-81420 | *PUMP BASE COMP     | 1    |
| 19      | 20016-81510 | *PUMP COVER         | 1    |
| 20      | 20036-81670 | *PRIMER PUMP        | 1    |
| 21      | 20016-81140 | *SCREW              | 4    |
| 22      | 20016-81250 | *O-RING             | 1    |

GEAR CASE / CUTTER

ILLUSTRATION 3 - REV 5/05



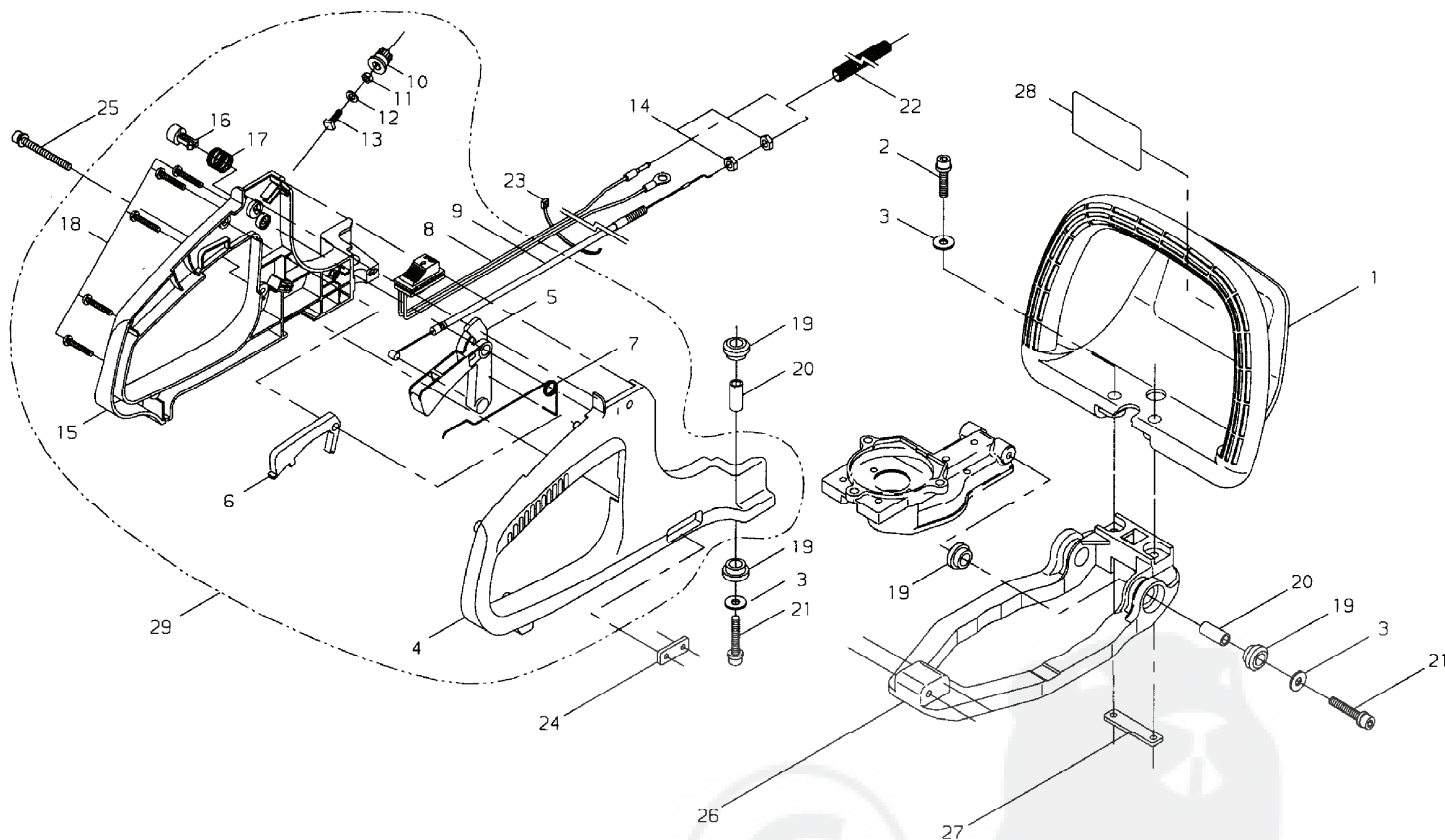
| Ref. No | Part No.    | Part Name   | Q'ty |
|---------|-------------|-------------|------|
| 3-1     | 68120-61110 | GEAR CASE   | 1    |
| 28      | 68120-61320 | *MAIN SHAFT | 1    |
| 2       | 02006-06001 | BEARING     | 2    |
| 3       | 02432-28120 | SNAP RING   | 1    |
| 4       | 68120-61120 | CASE COVER  | 1    |
| 5       | 68120-61130 | CAM GEAR    | 1    |
| 6       | 15401-10025 | COLLAR      | 2    |
| 7       | 68120-61160 | CLUTCH DRUM | 1    |
| 8       | 68120-61170 | ROD         | 2    |
| 9       | 68120-61331 | PLATE       | 1    |
| 10      | 68120-61340 | PACKING     | 1    |

| Ref. No | Part No.    | Part Name       | Q'ty |
|---------|-------------|-----------------|------|
| 11      | 68120-61351 | GASKET          | 1    |
| 12      | 20870-61640 | GREASE NIPPLE   | 1    |
| 13      | 02430-12100 | SNAP RING       | 1    |
| 14      | 01020-04100 | BOLT            | 7    |
| 15      | 11060-06160 | BOLT ADHESIVE   | 3    |
| 16      | 68122-62011 | CUTTER ASSEMBLY | 1    |
| 17      | 18501-50000 | *GUIDE BAR      | 1    |
| 18      | 18500-50100 | *BLADE          | 2    |
| 19      | 20870-62110 | *BOLT           | 4    |
| 20      | 20870-62131 | *WASHER         | 4    |
| 21      | 22011-97840 | *LOCKNUT        | 3    |
| 22      | 17540-00001 | *LEAF SPRING    | 1    |
| 23      | 68122-62320 | *PROTECTOR      | 1    |
| 24      | 68120-62331 | HOLDER          | 1    |
| 25      | 11526-05212 | FLANGE NUT      | 2    |
| 26      | 22011-97840 | LOCKNUT         | 1    |
| 27      | 19601-01506 | BLADE COVER     | 1    |

\* Denotes item is part of an assembly \*\* Denotes item is part of a sub-assembly

## HANDLES / THROTTLE LEVER / COIL

ILLUSTRATION 4 - REV 5/05

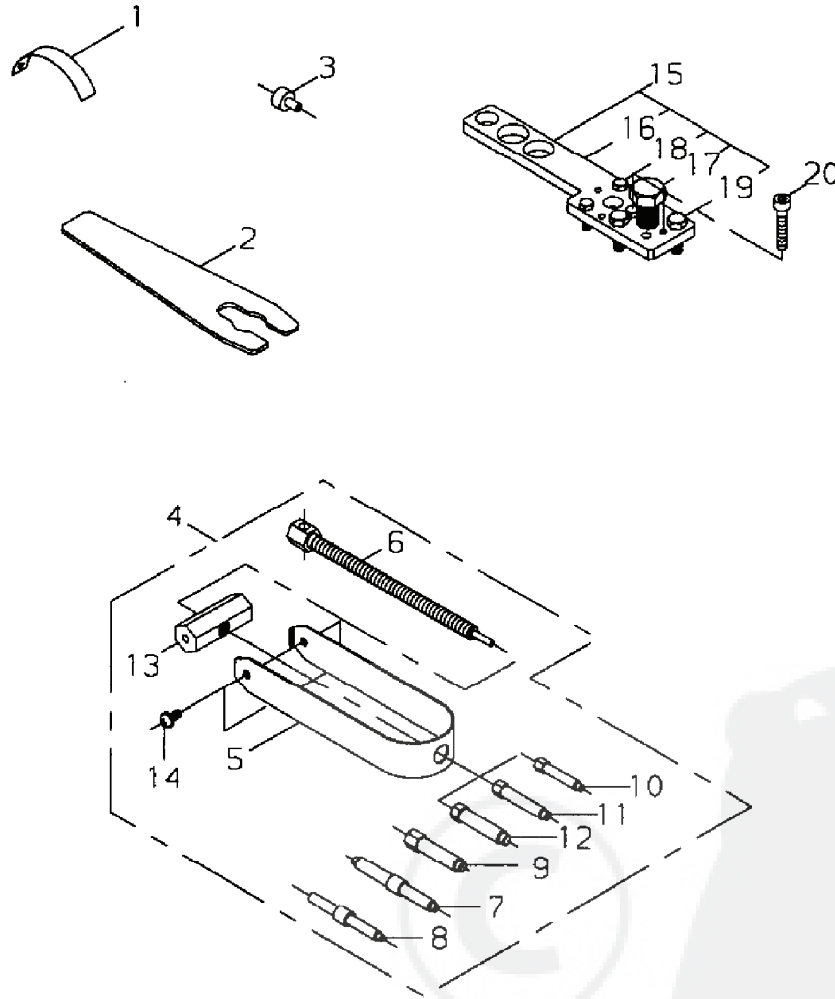


| Ref. No | Part No.    | Part Name            | Q'ty |
|---------|-------------|----------------------|------|
| 4-1     | 68120-64110 | FRONT HANDLE         | 1    |
| 2       | 11020-06250 | BOLT SW              | 2    |
| 3       | 23510-64210 | WASHER               | 6    |
| 14      | 01501-06041 | NUT                  | 2    |
| 19      | 68120-65330 | CUSHION              | 8    |
| 20      | 15401-10200 | COLLAR               | 4    |
| 21      | 11020-06350 | BOLT SW              | 4    |
| 22      | 20019-83140 | TUBE                 | 1    |
| 23      | 15210-12305 | BAND                 | 1    |
| 24      | 68120-65350 | PLATE                | 1    |
| 25      | 11060-05452 | BOLT ADHESIVE        | 2    |
| 26      | 68120-66310 | STAY                 | 1    |
| 27      | 68120-66320 | PLATE                | 1    |
| 28      | 19402-00148 | LABEL CAUTION        | 1    |
| 29      | 68122-65013 | REAR HANDLE ASSEMBLY | 1    |

| Ref. No | Part No.    | Part Name       | Q'ty |
|---------|-------------|-----------------|------|
| 4       | 62803-65114 | *RIGHT HANDLE   | 1    |
| 5       | 62803-65312 | *THROTTLE LEVER | 1    |
| 6       | 62803-65322 | *LOCK LEVER     | 1    |
| 7       | 62803-65350 | *COIL SPRING    | 1    |
| 8       | 62803-65332 | *SWITCH         | 1    |
| 9       | 68120-65320 | *THROTTLE CABLE | 1    |
| 10      | 20870-65110 | *KNOB           | 1    |
| 11      | 20870-65120 | *NUT            | 1    |
| 12      | 62805-65370 | *WASHER         | 1    |
| 13      | 20870-65150 | *BOLT           | 1    |
| 15      | 62803-65124 | *LEFT HANDLE    | 1    |
| 16      | 70871-65170 | *BUTTON         | 1    |
| 17      | 70871-65180 | *COIL SPRING    | 1    |
| 18      | 62803-65360 | *SCREW TAPPING  | 5    |

**TOOL SET**

ILLUSTRATION 5 - REV 5/05



| Ref. No | Part No.    | Part Name       | Q'ty |
|---------|-------------|-----------------|------|
| 5- 1    | 20000-96210 | AIR GAP GAUGE   | 1    |
| 2       | 20000-96411 | ROTOR SPANNER   | 1    |
| 3       | 20021-96420 | STOPPER         | 2    |
| 4       | 20021-96601 | PULLER ASSEMBLY | 1    |
| 5       | 20021-96611 | *PULLER         | 1    |
| 6       | 20021-96621 | *BOLT           | 1    |
| 7       | 20000-96631 | *GUIDE PIN      | 1    |
| 8       | 20035-96630 | *GUIDE PIN      | 1    |
| 9       | 20021-96630 | *GUIDE PIN      | 1    |
| 10      | 20021-96650 | *PIN ADAPTER    | 1    |

| Ref. No | Part No.    | Part Name       | Q'ty |
|---------|-------------|-----------------|------|
| 11      | 20021-96660 | *PIN ADAPTER    | 1    |
| 12      | 20021-96670 | *PIN ADAPTER    | 1    |
| 13      | 20000-96640 | *BOSS           | 1    |
| 14      | 01211-06120 | *SCREW SW       | 2    |
| 15      | 20000-96104 | PULLER ASSEMBLY | 1    |
| 16      | 20000-96114 | *LEVER          | 1    |
| 17      | 22100-96121 | *CENTER BOLT    | 1    |
| 18      | 20000-96130 | *BOLT           | 3    |
| 19      | 20000-96140 | *BOLT           | 2    |
| 20      | 01020-06350 | BOLT            | 2    |

\* Denotes item is part of an assembly \*\* Denotes item is part of a sub-assembly



**shindaiwa**

[www.shindaiwa.com](http://www.shindaiwa.com)

11975 SW Herman Road, Tualatin, Oregon 97062, U.S.A.

1 + 503.692.3070 • fax 1 + 503.692.6696 •

Item #xxxx Effective 05/05