

# Shindaiwa Illustrated Parts List

## DH230 EC1 Hedge Trimmer

---

<b>CYLINDER / CRANKCASE / CRANKSHAFT / CLUTCH / FAN COVER / MUFFLER / RECOIL SPRING / PISTON / ROTOR / COIL / CLEANER / FUEL TANK</b> .....	<b>2 - 3</b>
<b>GEAR CASE / CUTTER</b> .....	<b>4 - 5</b>
<b>CARBURETOR</b> .....	<b>6</b>
<b>HANDLES / THROTTLE LEVER / COIL / TOOL SET</b> .....	<b>7</b>
<b>PULLER ASSEMBLY / CUTTER ASSEMBLY</b> .....	<b>8</b>

[www.shindaiwa.com](http://www.shindaiwa.com)

11975 SW Herman Road

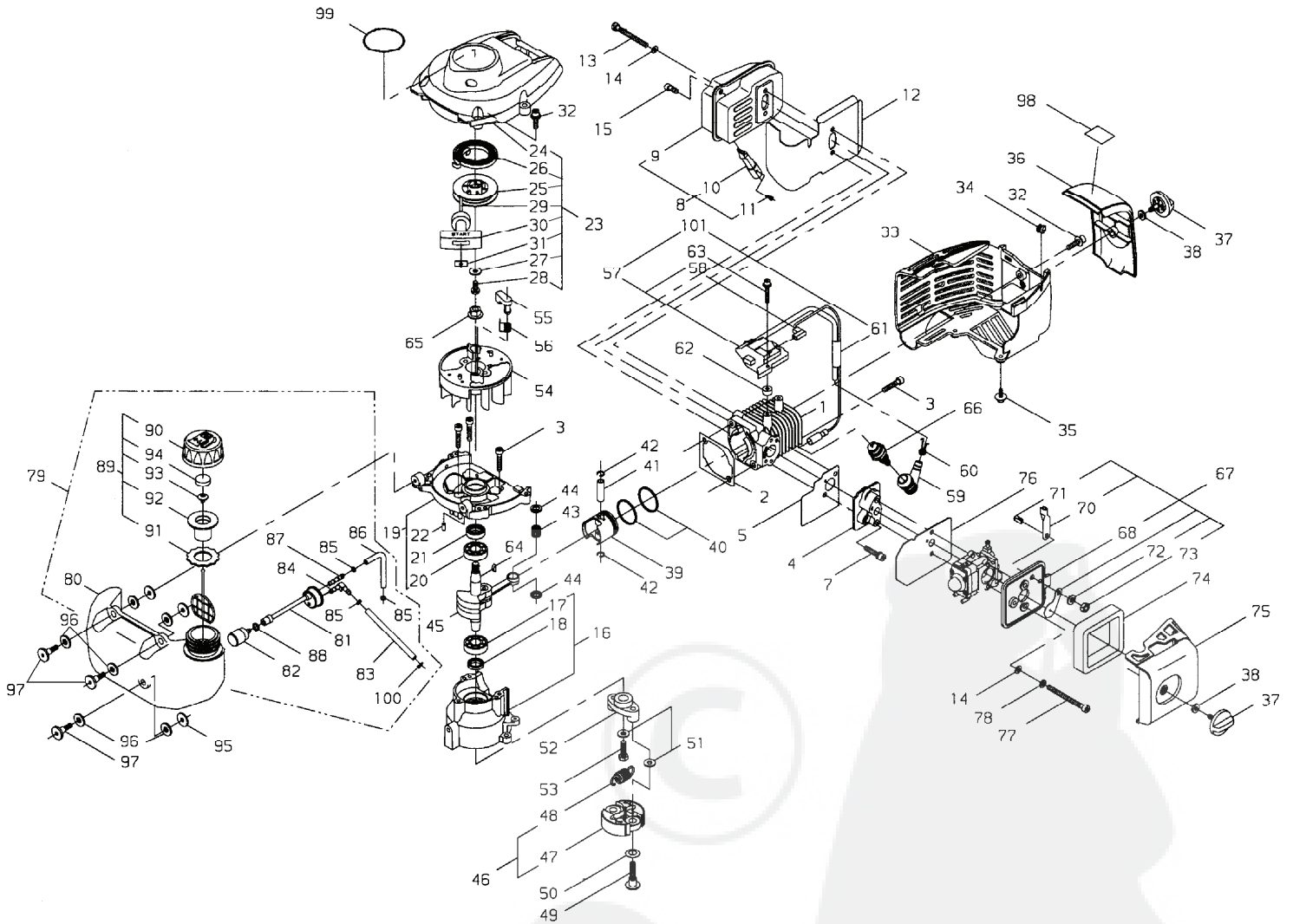
Tualatin, Oregon 97062, U.S.A.

1 + 503.692.3070 • fax 1 + 503.692.6696 •

**shindaiwa**

**CYLINDER / CRANKCASE / CRANKSHAFT /  
CLUTCH / FAN COVER / MUFFLER /  
RECOIL SPRING / PISTON / ROTOR /  
COIL / CLEANER / FUEL TANK**

ILLUSTRATION 1 - REV 3/05



Ref. No	Part No.	Part Name	Q'ty
1-1	62809-12111	CYLINDER	1
2	20870-12121	GASKET	1
3	01020-05250	BOLT	5
4	20016-12213	INSULATOR	1
5	20870-12220	GASKET	1
7	11022-05300	BOLT SW	2
8	70871-15100	MUFFLER SUB ASSEMBLY	1
9	70871-15110	*MUFFLER	1

Ref. No	Part No.	Part Name	Q'ty
10	70871-15120	*SPARK ARRESTER	1
11	01270-03062	*SCREW TAPPING	1
12	20870-15122	GASKET	1
13	01020-05500	BOLT	2
14	01610-05080	WASHER	4
15	01020-05120	BOLT	1
16	20870-21100	CRANKCASE PTO COMP	1
17	12900-60010	*BEARING	1

**CYLINDER / CRANKCASE / CRANKSHAFT /  
CLUTCH / FAN COVER / MUFFLER /  
RECOIL SPRING / PISTON / ROTOR /  
COIL / CLEANER / FUEL TANK**

ILLUSTRATION 1 - REV 3/05

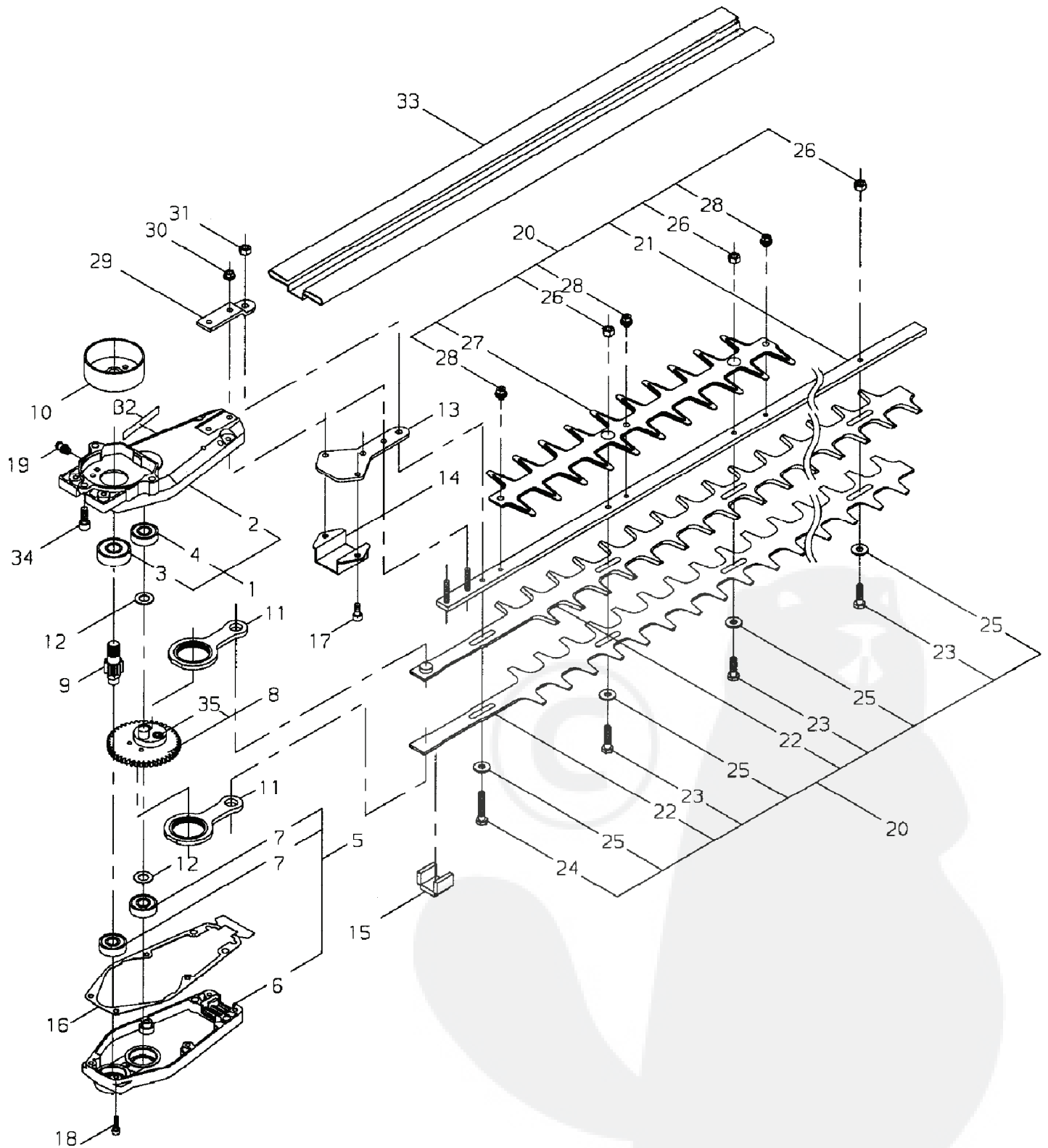
Ref. No	Part No.	Part Name	Q'ty
18	22150-21250	*OIL SEAL	1
19	20870-21301	CRANKCASE M COMP	1
20	12900-60010	*BEARING	1
21	20000-21211	*OIL SEAL	1
22	12492-40080	*ROLLER	2
23	20870-31102	FAN COVER SUB ASSEMBLY	1
24	20870-31112	*FAN COVER	1
25	70030-75120	*REEL	1
26	70030-75130	*RECOIL SPRING	1
27	70030-75140	*WASHER	1
28	20035-75170	*SCREW	1
29	70030-75160	*ROPE	1
30	20010-75190	*STARTER KNOB	1
31	20010-75210	*STOPPER	1
32	11060-05202	BOLT ADHESIVE	5
33	20870-32111	CYLINDER COVER	1
34	20011-72120	GROMMET	1
35	11060-04163	BOLT ADHESIVE	2
36	20870-33111	COVER	1
37	20870-33120	KNOB	2
38	23627-21220	COLLAR	2
39	20075-41110	PISTON	1
40	20000-41210	PISTON RING	2
41	20075-41310	PISTON PIN	1
42	70030-41320	SNAP RING	2
43	37013-41230	NEEDLE BEARING	1
44	37013-41240	THRUST WASHER	2
45	20870-42101	CRANKSHAFT COMP	1
46	70140-51012	CLUTCH SHOE SUB ASSEMBLY	1
47	70140-51113	*CLUTCH SHOE	2
48	37013-51310	*COIL SPRING	1
49	20087-51210	BOLT	2
50	20087-51231	SPRING PLATE	2
51	22100-71430	WASHER	3
52	20870-51211	CLUTCH BOSS	1
53	20870-51220	BOLT	1
54	20870-71110	ROTOR	1
55	20870-71120	RATCHET	1
56	20870-71130	COIL SPRING	1
101	20870-98310	COIL SET	1
57	20870-71202	*COIL SUB ASSEMBLY	1
58	20870-71222	**CORD	1

Ref. No	Part No.	Part Name	Q'ty
61	20016-71651	*TUBE	1
59	22160-72220	PLUG CAP	1
60	20000-72230	SPRING SPARKPLUG	1
62	70030-71620	INSULATOR	2
63	11024-04261	BOLT SLPW	2
64	02403-03100	KEY	1
65	20035-71220	NUT	1
66	13000-13406	SPARKPLUG BMR6A	1
67	20870-82100	CLEANER BODY SUB ASSEMBLY	1
68	20870-82111	*CLEANER BODY	1
70	20870-82120	*CHOKE LEVER	1
71	20110-82140	*CHOKE SHAFT	1
72	01600-06151	*SPRING WASHER	1
73	11524-06211	*U NUT	1
74	20870-82210	FILTER	1
75	20870-82312	CLEANER COVER	1
76	20870-82411	GASKET	1
77	01020-05550	BOLT	2
78	01600-05131	SPRING WASHER	2
79	62800-85013	FUEL TANK ASSEMBLY	1
80	20870-85251	*FUEL TANK	1
81	20870-85121	*FUEL PIPE	1
82	20016-85400	*FUEL FILTER	1
83	20870-85132	*PIPE	1
84	20087-85340	*JOINT	1
85	20020-85540	*CLIP	3
86	20870-85140	*PIPE	1
87	72933-85620	*JOINT	1
88	20000-85350	*CLAMP B	1
89	62800-85021	*FUEL CAP ASSEMBLY	1
90	20870-85310	**FUEL CAP	1
91	20870-85160	**PACKING	1
92	62800-85310	**HOLDER COMP	1
93	20870-85320	**VALVE FUEL	1
94	20870-85210	**PACKING	1
100	37013-85310	*CLIP	1
95	15401-10022	COLLAR	3
96	20870-85230	COLLAR	6
97	20870-85240	BOLT	3
98	19404-00048	LABEL DECIBEL	1
99	62805-91020	LABEL TRADE	1

\* Denotes item is part of an assembly \*\* Denotes item is part of a sub-assembly

## GEAR CASE / CUTTER

ILLUSTRATION 3 - REV 3/05



## GEAR CASE / CUTTER

ILLUSTRATION 3 - REV 3/05

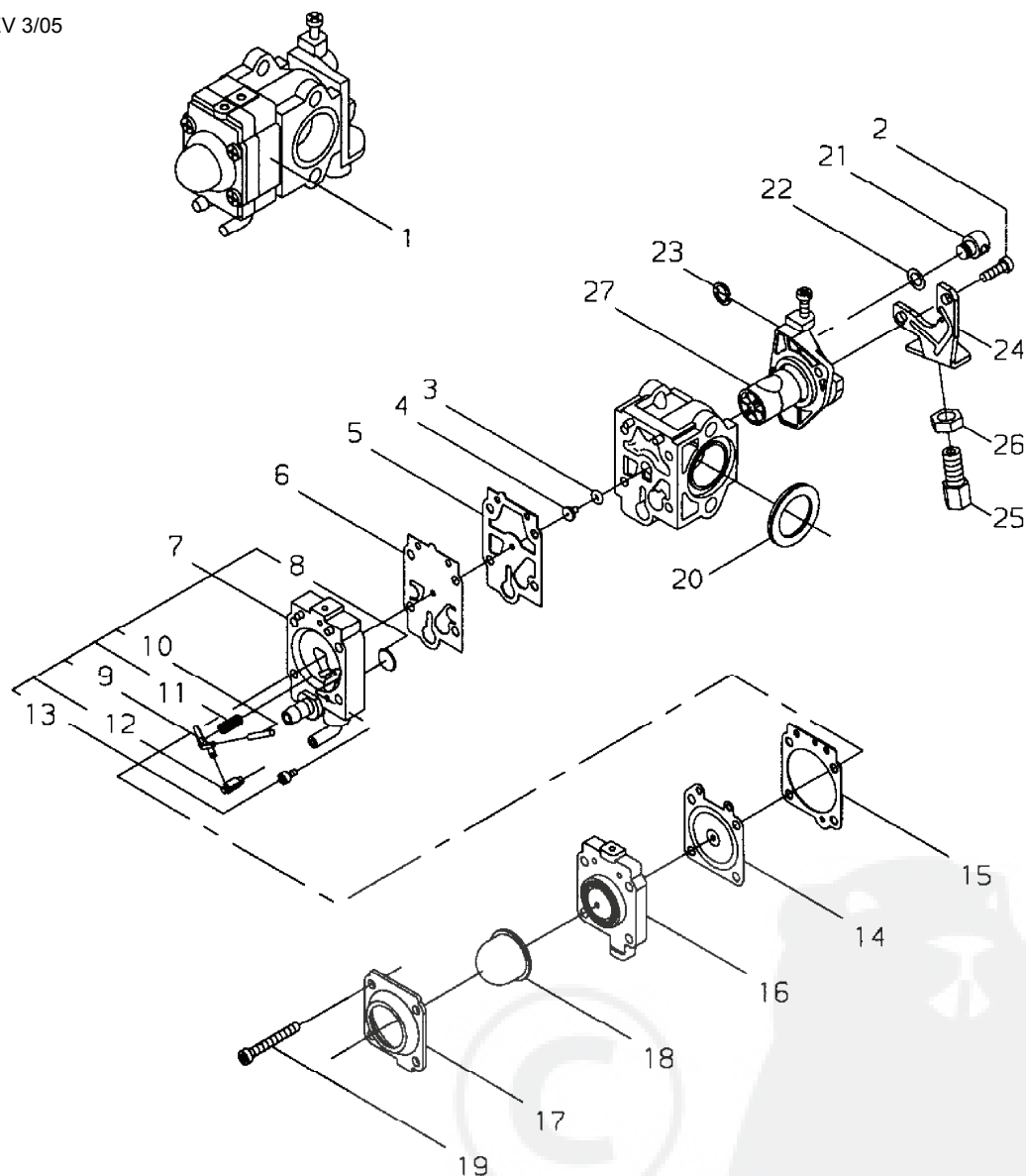
Ref. No	Part No.	Part Name	Q'ty
3-1	20870-61103	GEAR CASE COMP	1
2	20870-61113	*GEAR CASE	1
3	02006-06201	*BEARING	1
4	02002-06000	*BEARING	1
5	20870-61203	CASE COVER COMP	1
6	20870-61213	*CASE COVER	1
7	02002-06000	*BEARING	2
8	20870-61301	GEAR COMP	1
35	20870-61340	*BOLT	4
9	20870-61410	PINION SHAFT	1
10	20870-61420	CLUTCH DRUM	1
11	20870-61500	ROD COMP	2
12	15401-11008	COLLAR	2
13	20870-61611	PLATE	1
14	20870-61621	PLATE	1
15	20870-61630	PACKING	1
16	20870-61650	GASKET CASE	1

Ref. No	Part No.	Part Name	Q'ty
17	01020-05120	BOLT	2
18	01020-04140	BOLT	6
19	20870-61640	GREASE NIPPLE	1
20	63804-62011	CUTTER ASSEMBLY	1
21	63802-62310	*GUIDE BAR	1
22	18500-60104	*BLADE	1
23	20870-62110	*BOLT	3
24	20870-62150	*BOLT	1
25	20870-62131	*WASHER	4
26	22011-97840	*LOCKNUT	3
27	63804-62310	*PROTECTOR	1
28	11060-05080	*BOLT ADHESIVE	3
29	20870-62210	HOLDER	1
30	11526-05212	FLANGE NUT	2
31	22011-97840	LOCKNUT	1
32	19402-00134	LABEL CAUTION	1
33	19601-01504	BLADE COVER	1
34	01020-06160	BOLT	3



## CARBURETOR

ILLUSTRATION 2 - REV 3/05

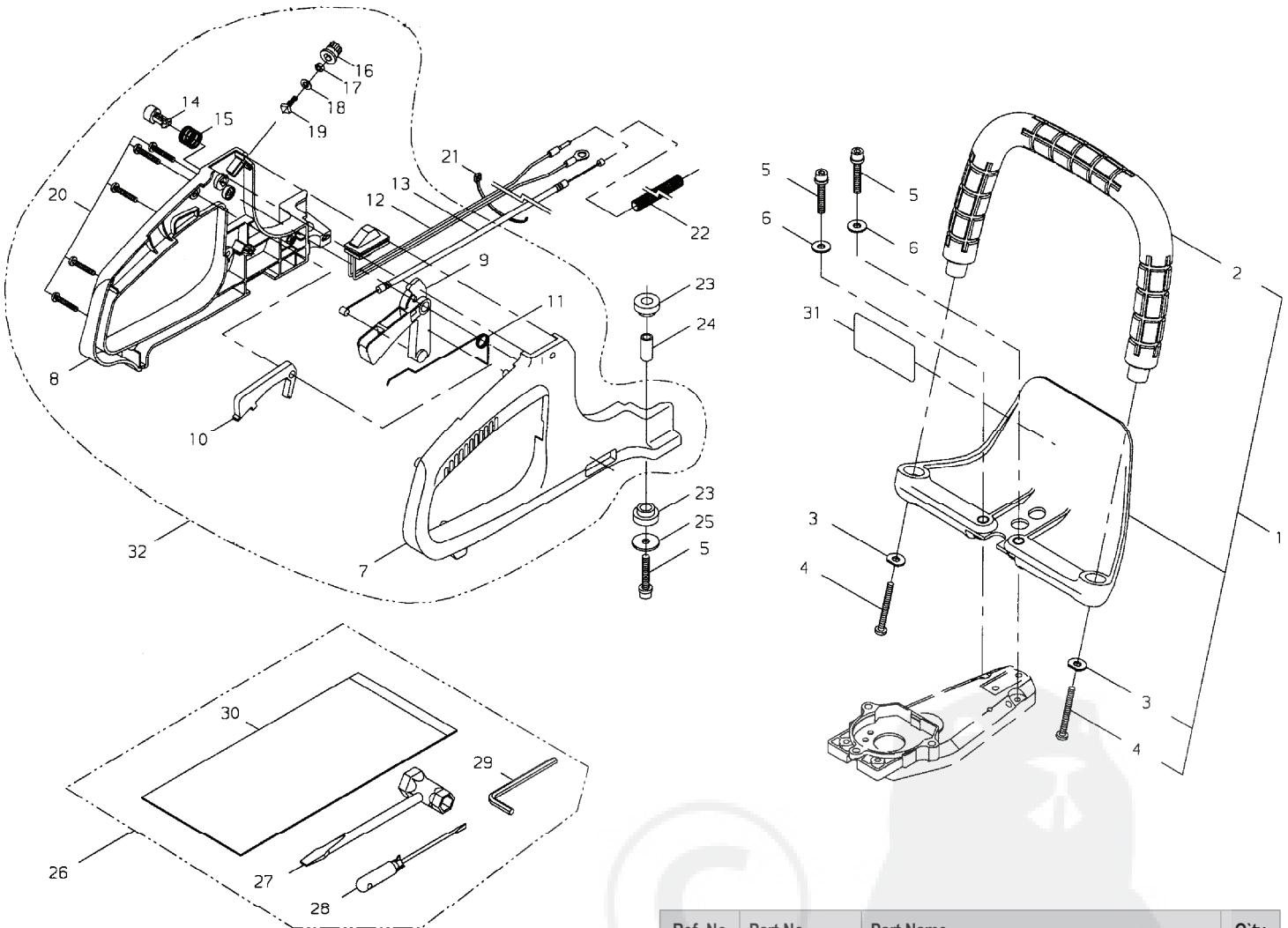


Ref. No	Part No.	Part Name	Q'ty
2-1	70871-81100	CARBURETOR SUB ASSEMBLY	1
2	70097-81290	*SCREW	2
3	70097-81220	*O-RING	1
4	72934-81230	*MAIN JET	1
5	70097-81310	*GASKET PUMP	1
6	70097-81320	*DIAPHRAGM	1
7	72933-81410	*PUMP BODY ASSEMBLY	1
8	70030-81380	**SCREEN	1
9	22100-81230	**LEVER	1
10	22100-81250	**PIN	1
11	72933-81270	**SPRING	1
12	20036-81440	**NEEDLE VALVE	1
13	20016-81450	**SCREW	1

Ref. No	Part No.	Part Name	Q'ty
14	22100-81260	*DIAPHRAGM ASSEMBLY	1
15	20016-81280	*GASKET	1
16	20016-81420	*PUMP BASE COMP	1
17	20016-81510	*PUMP COVER	1
18	20036-81670	*PRIMER PUMP	1
19	20016-81140	*SCREW	4
20	72933-81250	*RING GASKET	1
21	72933-81450	*SWIVEL	1
22	20089-81185	*WASHER	1
23	20036-81195	*ERING	1
24	20089-81130	*BRACKET	1
25	20089-81110	*CABLE ADJUSTER	1
26	20036-81120	*NUT	1
27	20870-81220	*VALVE ASSEMBLY	1

**HANDLES / THROTTLE LEVER / COIL / TOOL SET**

ILLUSTRATION 4 - REV 3/05



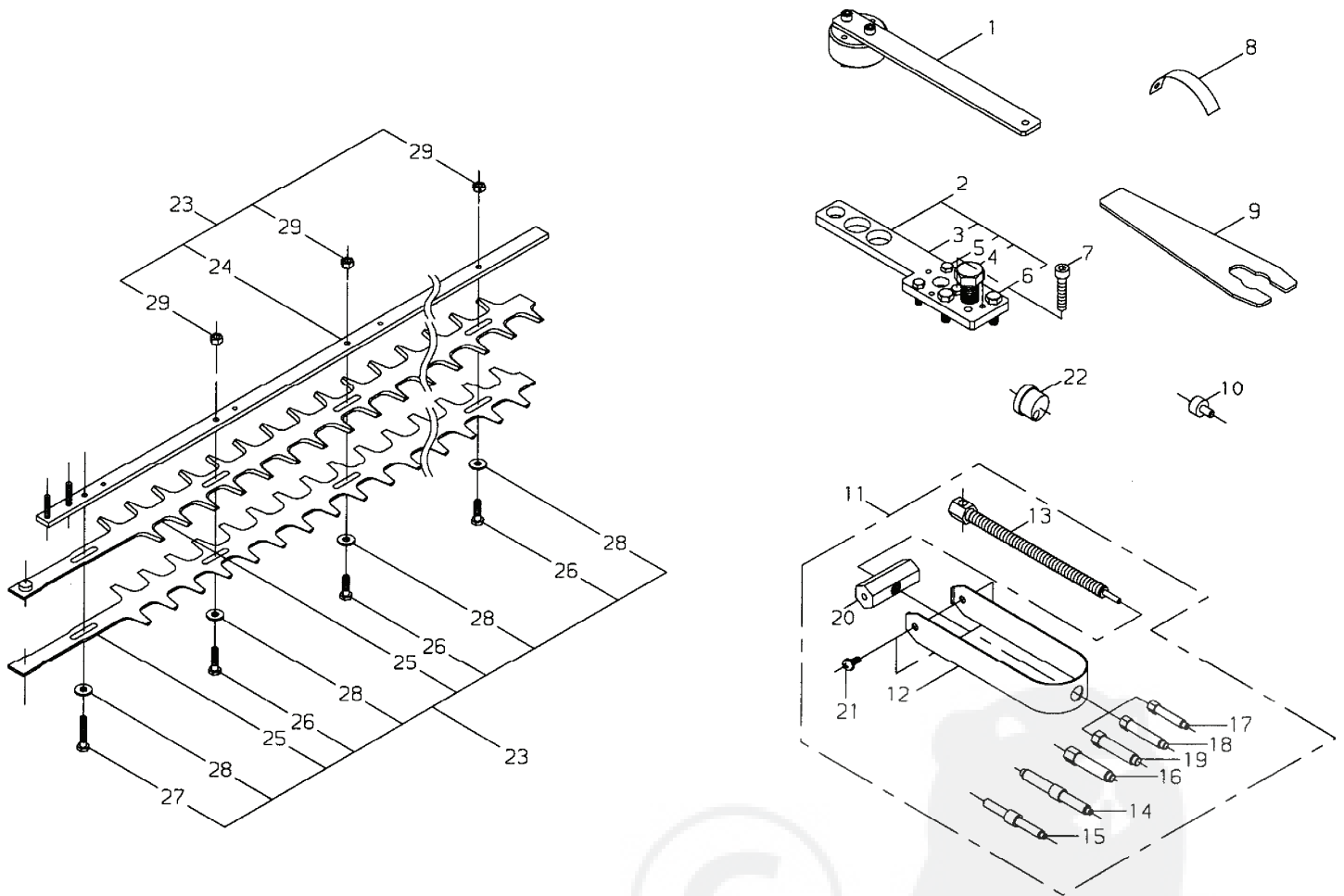
Ref. No	Part No.	Part Name	Q'ty
4-1	62803-64012	FRONT HANDLE ASSEMBLY	1
2	62803-64111	*FRONT HANDLE	1
3	62803-64330	*WASHER	2
4	72935-61230	*BOLT TAPPING	2
5	11020-06350	BOLT SW	4
6	23510-64210	WASHER	2
32	62805-65013	REAR HANDLE ASSEMBLY	1
7	62803-65114	*RIGHT HANDLE	1
8	62803-65124	*LEFT HANDLE	1
9	62803-65312	*THROTTLE LEVER	1
10	62803-65322	*LOCK LEVER	1
11	62803-65350	*COIL SPRING	1
12	62803-65332	*SWITCH	1
13	62803-65341	*THROTTLE CABLE	1

Ref. No	Part No.	Part Name	Q'ty
14	70871-65170	*BUTTON	1
15	70871-65180	*COIL SPRING	1
16	20870-65110	*KNOB	1
17	20870-65120	*NUT	1
18	62805-65370	*WASHER	1
19	20870-65150	*BOLT	1
20	62803-65360	*SCREW TAPPING	5
21	15210-12305	BAND	1
22	20019-83140	TUBE	1
23	20870-65421	CUSHION	4
24	15401-10200	COLLAR	2
25	15401-20008	COLLAR	2
26	62803-92010	TOOLSET	1
27	22150-91410	*PLUG WRENCH	1
28	22150-91160	*DRIVER	1
29	19021-05000	*HEX WRENCH	1
30	19639-01100	*POLY BAG	1
31	19402-00148	LABEL CAUTION	1

\* Denotes item is part of an assembly \*\* Denotes item is part of a sub-assembly

## PULLER ASSEMBLY / CUTTER ASSEMBLY

ILLUSTRATION 5 - REV 3/05



Ref. No	Part No.	Part Name	Q'ty
5-1	20870-98010	SPANNER	1
2	20000-96104	PULLER ASSEMBLY	1
3	20000-96114	*LEVER	1
4	22100-96121	*CENTER BOLT	1
5	20000-96130	*BOLT	3
6	20000-96140	*BOLT	2
7	01020-06350	BOLT	2
8	20000-96210	AIR GAP GAUGE	1
9	20000-96411	ROTOR SPANNER	1
10	20021-96420	STOPPER	2
11	20021-96601	PULLER ASSEMBLY	1
12	20021-96611	*PULLER	1
13	20021-96621	*BOLT	1
14	20000-96631	*GUIDE PIN	1

Ref. No	Part No.	Part Name	Q'ty
15	20035-96630	*GUIDE PIN	1
16	20021-96630	*GUIDE PIN	1
17	20021-96650	*PIN ADAPTER	1
18	20021-96660	*PIN ADAPTER	1
19	20021-96670	*PIN ADAPTER	1
20	20000-96640	*BOSS	1
21	01211-06120	*SCREW SW	2
22	20870-98050	HOLDER	1
23	60804-98010	CUTTER ASSEMBLY	1
24	63802-62311	*GUIDE BAR	1
25	18500-60104	*BLADE	2
26	20870-62110	*BOLT	3
27	20870-62150	*BOLT	1
28	20870-62131	*WASHER	4
29	22011-97840	*LOCKNUT	3







**shindaiwa**

[www.shindaiwa.com](http://www.shindaiwa.com)

11975 SW Herman Road, Tualatin, Oregon 97062, U.S.A.

1 + 503.692.3070 • fax 1 + 503.692.6696 •

Item #xxxx Effective 03/05