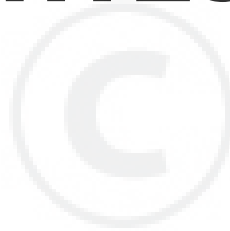


**shindaiwa<sup>®</sup>**

# **PARTS CATALOG**

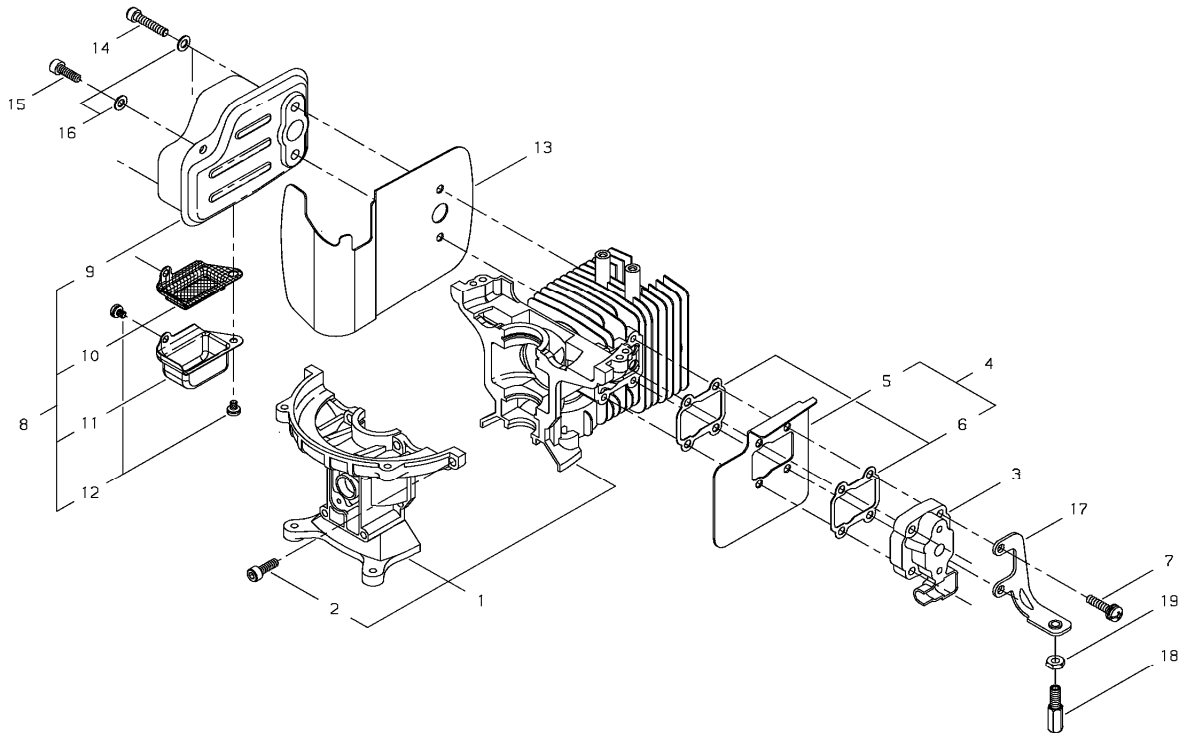
**HEDGE TRIMMER**

**HT2510 EC2-4**



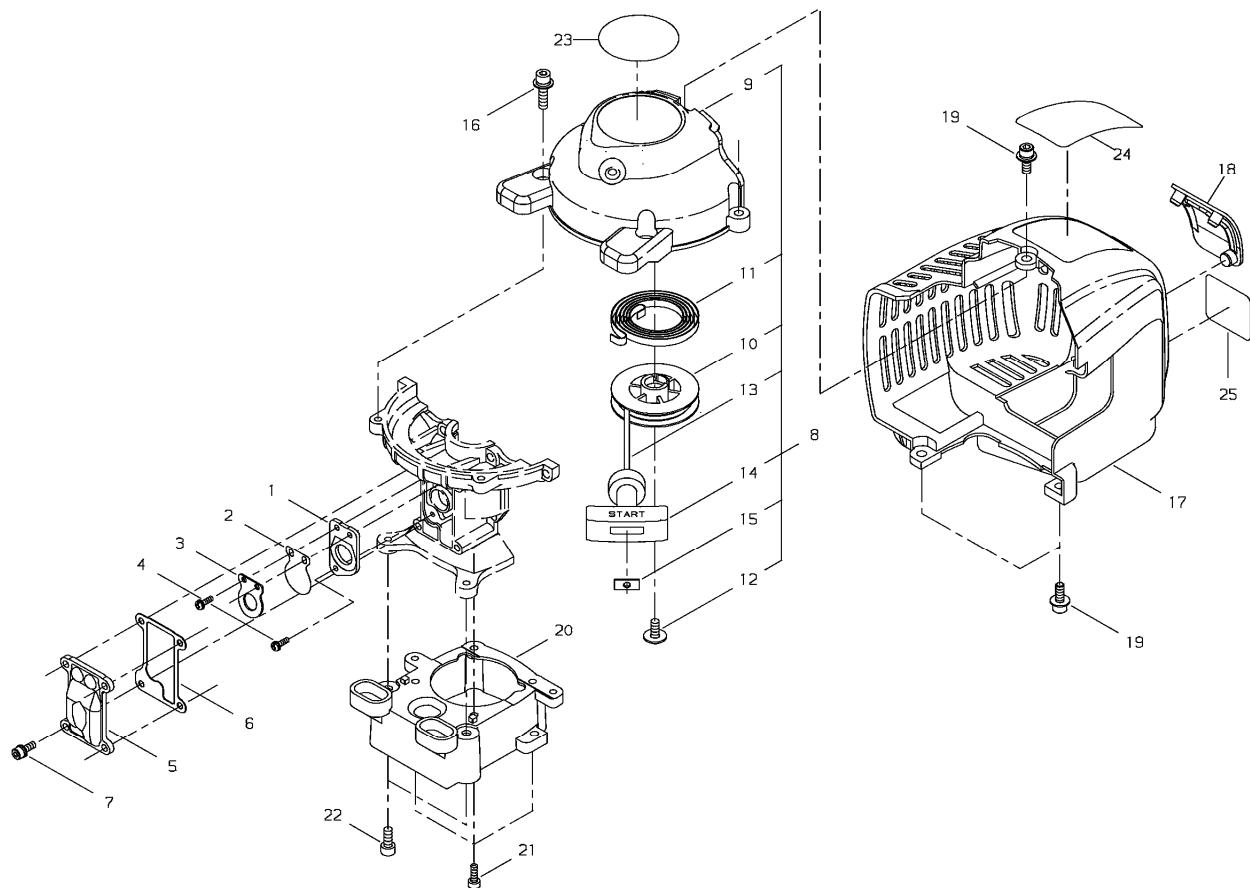
HT2510 EC2-4

# 1. CYLINDER, MUFFLER



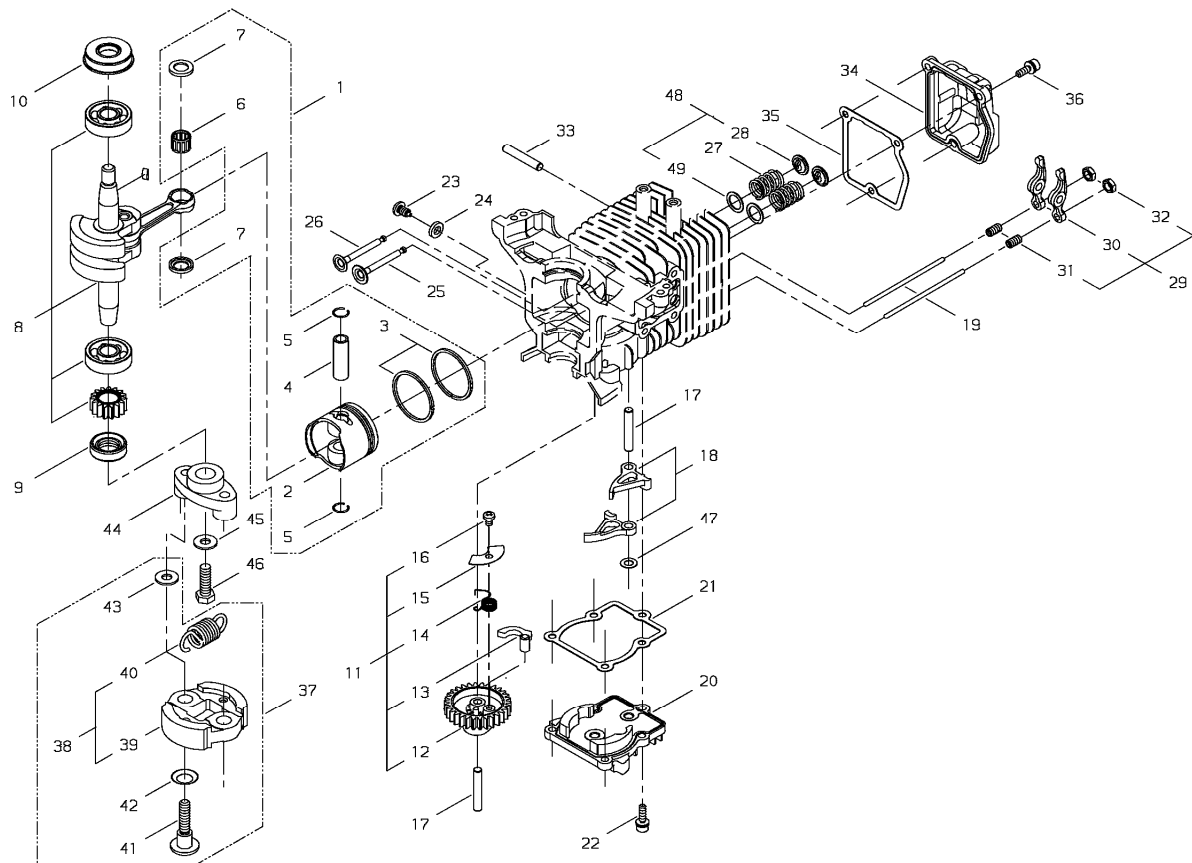
| KEY | LV | PART NUMBER | Q'TY | DESCRIPTION        | REMARKS     | NOTE1 | NOTE2 |
|-----|----|-------------|------|--------------------|-------------|-------|-------|
| 1   |    | 60600-98351 | 1    | CYLINDER BLOCK SET |             |       |       |
| 2   | •  | 01020-05160 | 6    | BOLT               | M5*16 BLACK | M5x16 |       |
| 3   |    | 62902-12310 | 1    | REED VALVE         |             |       |       |
| 4   |    | 62902-12320 | 1    | BAFFLE PLATE COMP  |             |       |       |
| 5   | •  | 62901-12320 | 1    | BAFFLE PLATE       |             |       |       |
| 6   | •  | 62901-12220 | 2    | GASKET             |             |       |       |
| 7   |    | 11206-05225 | 4    | SCREW,PM-SPW       | M5*22       |       |       |
| 8   |    | 38800-15010 | 1    | MUFFLER ASSY       |             |       |       |
| 9   | •  | 62902-15111 | 1    | MUFFLER            |             |       |       |
| 10  | •  | 62902-15131 | 1    | SCREEN             |             |       |       |
| 11  | •  | 38800-15160 | 1    | EXHAUST OUTLET     |             |       |       |
| 12  | •  | 11204-04060 | 2    | SCREW,PM-SW        |             |       |       |
| 13  |    | 62901-15210 | 1    | GASKET             |             |       |       |
| 14  |    | 62901-15310 | 2    | BOLT               |             | M5x25 |       |
| 15  |    | 01020-05160 | 1    | BOLT               | M5*16 BLACK | M5x16 |       |
| 16  |    | 01610-05080 | 3    | WASHER             |             |       |       |
| 17  |    | 62600-83310 | 1    | BRACKET            |             |       |       |
| 18  |    | 62902-83310 | 1    | CABLE ADJUSTER     |             |       |       |
| 19  |    | 01501-06048 | 1    | NUT                |             | M6    |       |

## 2. FANCOVER, CYLINDER COVER



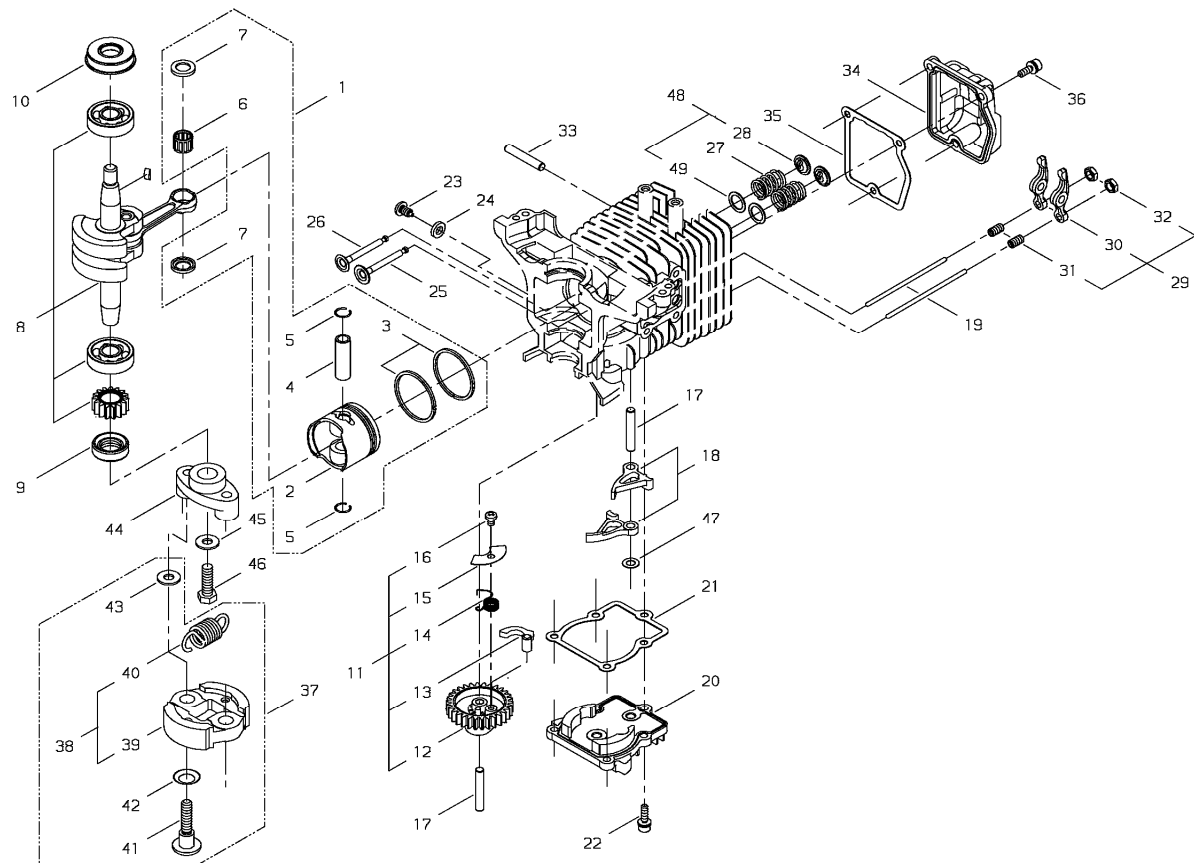
| KEY | LV | PART NUMBER | Q'TY | DESCRIPTION    | REMARKS | NOTE1        | NOTE2 |
|-----|----|-------------|------|----------------|---------|--------------|-------|
| 1   |    | 62901-21320 | 1    | INSULATOR      |         |              |       |
| 2   |    | 72320-83121 | 1    | VALVE          |         |              |       |
| 3   |    | 72320-83132 | 1    | STOPPER        |         |              |       |
| 4   |    | 01211-03100 | 3    | SCREW-SW       | M3*10   | M3*10        |       |
| 5   |    | 62901-21120 | 1    | COVER          |         |              |       |
| 6   |    | 62901-21130 | 1    | GASKET         |         |              |       |
| 7   |    | 11022-04120 | 4    | BOLT-SPW       | M4*12   | M4*12        |       |
| 8   |    | 62600-31011 | 1    | FAN COVER ASSY |         |              |       |
| 9   |    | 62600-31111 | 1    | FAN COVER      |         |              |       |
| 10  |    | 62600-31320 | 1    | REEL           |         |              |       |
| 11  |    | 70030-75130 | 1    | RECOIL SPRING  |         |              |       |
| 12  |    | 62600-31310 | 1    | SCREW          |         |              |       |
| 13  |    | 37076-75140 | 1    | ROPE           |         |              |       |
| 14  |    | 20010-75190 | 1    | STARTER KNOB   |         |              |       |
| 15  |    | 20010-75210 | 1    | STOPPER        |         |              |       |
| 16  |    | 11060-05202 | 4    | BOLT ADHESIVE  |         | M5*20        |       |
| 17  |    | 62600-32110 | 1    | CYLINDER COVER |         |              |       |
| 18  |    | 62901-32312 | 1    | GROMMET        |         |              |       |
| 19  |    | 11060-05141 | 3    | BOLT ADHESIVE  |         | M5*14        |       |
| 20  |    | 62600-33310 | 1    | ADAPTER        |         |              |       |
| 21  |    | 01020-04120 | 4    | BOLT           |         | M4*12        |       |
| 22  |    | 01020-05120 | 2    | BOLT           | M5*12   | M5*12        |       |
| 23  |    | 19420-00070 | 1    | LABEL TRADE    |         |              |       |
| 24  |    | 19420-00106 | 1    | LABEL TRADE    |         | shindaiwa、C4 |       |
| 25  |    | 62601-91320 | 1    | LABEL TRADE    |         |              |       |

### 3. CRANKSHAFT, PISTON



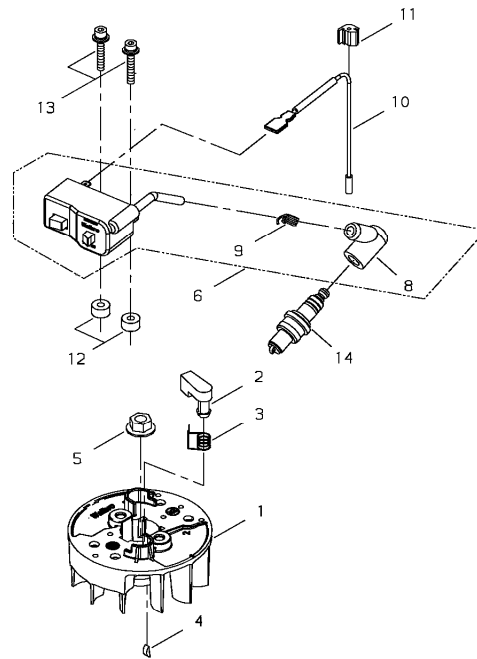
| KEY | LV | PART NUMBER | Q'TY | DESCRIPTION      | REMARKS    | NOTE1    | NOTE2 |
|-----|----|-------------|------|------------------|------------|----------|-------|
| 1   |    | 62902-41310 | 1    | PISTON SET       |            |          |       |
| 2   | ▪  | 62902-41110 | 1    | PISTON           |            |          |       |
| 3   | ▪  | 62902-41120 | 2    | PISTON RING      |            |          |       |
| 4   | ▪  | 62901-41210 | 1    | PISTON PIN       |            |          |       |
| 5   | ▪  | 20000-41320 | 2    | SNAP RING        |            |          |       |
| 6   | ▪  | 62901-41230 | 1    | NEEDLE BEARING   |            |          |       |
| 7   | ▪  | 37019-41240 | 2    | THRUST WASHER    |            |          |       |
| 8   |    | 62600-42020 | 1    | CRANK SHAFT COMP |            |          |       |
| 9   |    | 62901-42260 | 1    | OIL SEAL         |            |          |       |
| 10  |    | 62901-42270 | 1    | OIL SEAL         |            |          |       |
| 11  |    | 62905-43011 | 1    | CAM GEAR ASSY    |            |          |       |
| 12  | ▪  | 62902-43310 | 1    | CAM GEAR         |            |          |       |
| 13  | ▪  | 62907-43120 | 1    | WEIGHT           |            |          |       |
| 14  | ▪  | 17520-08900 | 1    | COIL SPRING      |            |          |       |
| 15  | ▪  | 62905-43131 | 1    | PLATE            |            |          |       |
| 16  | ▪  | 01280-04062 | 1    | SCREW, TAPPING   |            |          |       |
| 17  |    | 12492-50290 | 2    | ROLLER           | 5*L29.8    | φ5*L29.8 |       |
| 18  |    | 62907-43210 | 2    | LIFTER           |            |          |       |
| 19  |    | 62908-43220 | 2    | PUSH ROD         |            |          |       |
| 20  |    | 62901-43330 | 1    | CAM GEAR COVER   |            |          |       |
| 21  |    | 62901-43240 | 1    | GASKET           |            |          |       |
| 22  |    | 11022-04140 | 5    | BOLT-SPW         | M4-14      | M4*14    |       |
| 23  |    | 62901-43310 | 1    | SCREW            |            |          |       |
| 24  |    | 15401-10028 | 1    | COLLAR           | 5.5,10 T=2 |          |       |
| 25  |    | 62902-44111 | 1    | INTAKE VALVE     |            |          |       |
| 26  |    | 62902-44121 | 1    | EXHAUST VALVE    |            |          |       |

### 3. CRANKSHAFT, PISTON



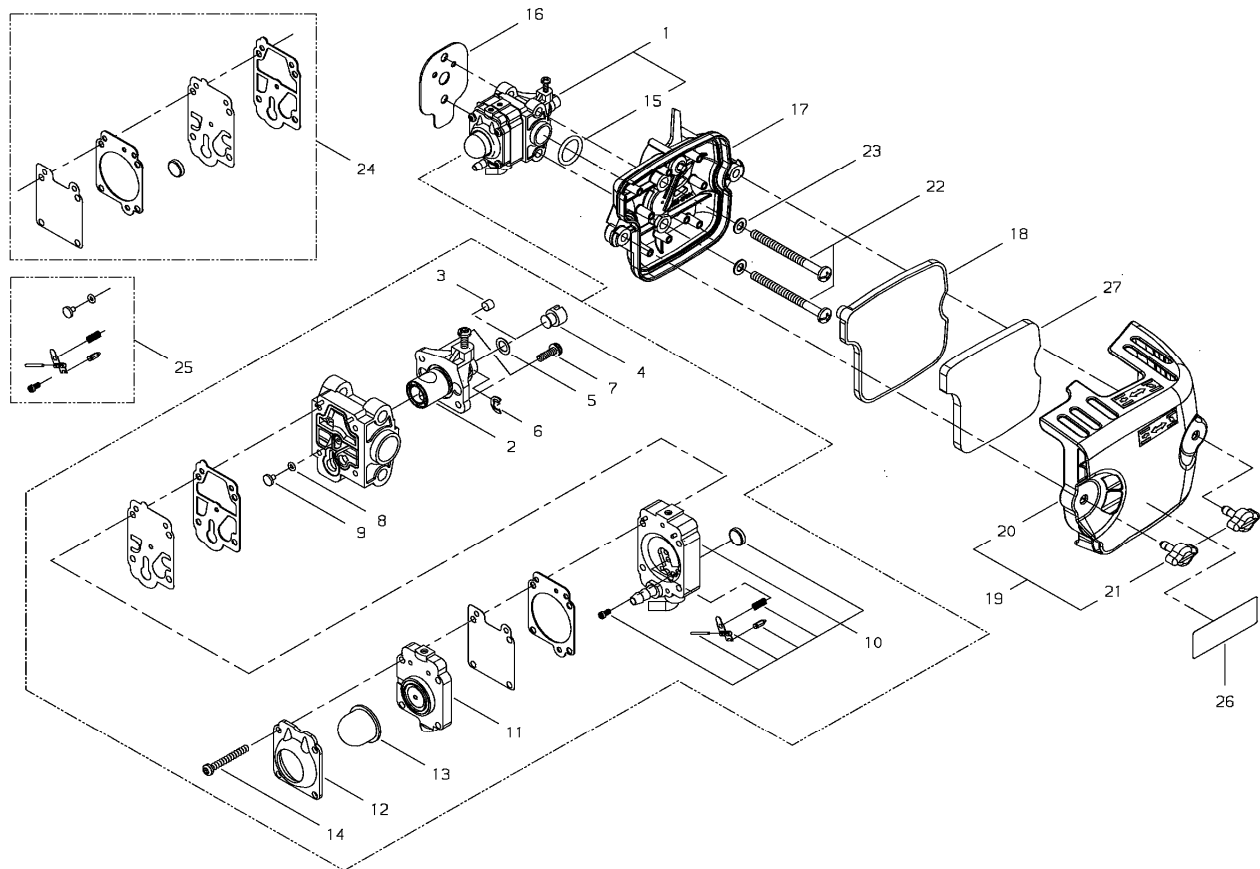
| KEY | LV  | PART NUMBER | Q'TY | DESCRIPTION      | REMARKS     | NOTE1   | NOTE2 |
|-----|-----|-------------|------|------------------|-------------|---------|-------|
| 27  |     | 62901-44130 | 2    | VALVE SPRING     |             |         |       |
| 28  | ▪   | 62908-44140 | 2    | RETAINER         |             |         |       |
| 29  |     | 62907-44010 | 2    | ROCKER ARM ASSY  |             |         |       |
| 30  | ▪   | 62901-44210 | 2    | ROCKER ARM       |             |         |       |
| 31  | ▪   | 62907-44220 | 2    | ADJUST SCREW     |             |         |       |
| 32  | ▪   | 62901-44231 | 2    | NUT              |             |         |       |
| 33  |     | 12492-50310 | 1    | ROLLER           | NTN F5*31.8 | φ5×31.8 |       |
| 34  |     | 62901-44241 | 1    | ROCKER ARM COVER |             |         |       |
| 35  |     | 62901-44250 | 1    | GASKET           |             |         |       |
| 36  |     | 11022-04140 | 3    | BOLT-SPW         | M4-14       | M4*14   |       |
| 37  |     | 62600-51010 | 1    | CLUTCH SET       |             |         |       |
| 38  | ▪   | 62600-51020 | 1    | CLUTCH SHOE ASSY |             |         |       |
| 39  | ▪ ▪ | 20115-51111 | 2    | CLUTCH SHOE      |             |         |       |
| 40  | ▪ ▪ | 62600-51310 | 1    | SPRING           |             |         |       |
| 41  | ▪   | 20087-51210 | 2    | BOLT             |             |         |       |
| 42  | ▪   | 20087-51231 | 2    | SPRING PLATE     |             |         |       |
| 43  | ▪   | 22100-71430 | 2    | WASHER           |             |         |       |
| 44  |     | 20870-51211 | 1    | CLUTCH BOSS      |             |         |       |
| 45  |     | 22100-71430 | 1    | WASHER           |             |         |       |
| 46  |     | 20870-51220 | 1    | BOLT             |             | M6*18   |       |
| 47  |     | 11620-10000 | 1    | WASHER           | T0.3        |         |       |
| 48  |     | 60908-98370 | 2    | RETAINER SET     |             |         |       |
| 49  | ▪   | 62908-44310 | 2    | PLATE            |             |         |       |

## 4. COIL, ROTOR



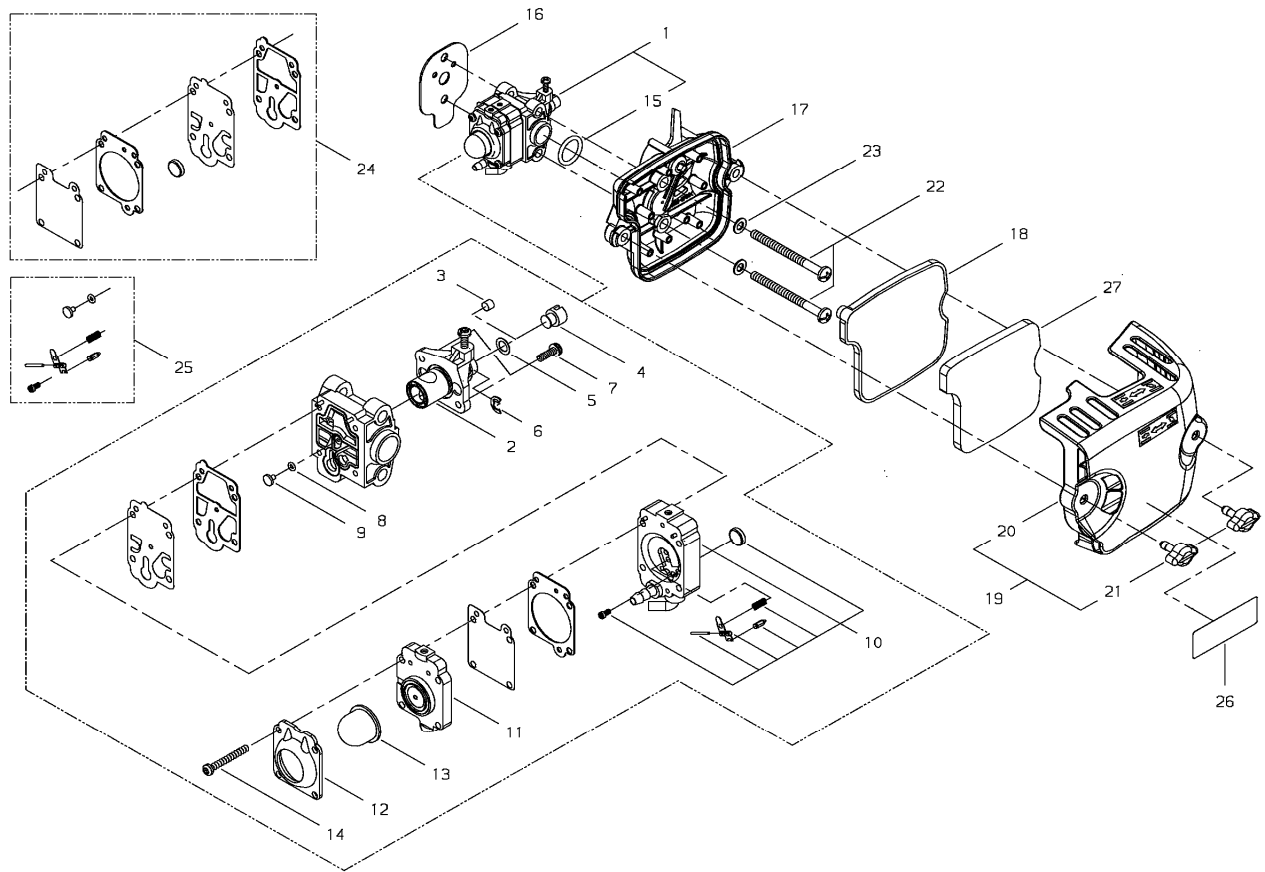
| KEY | LV | PART NUMBER | Q'TY | DESCRIPTION | REMARKS   | NOTE1 | NOTE2 |
|-----|----|-------------|------|-------------|-----------|-------|-------|
| 1   |    | 62600-71111 | 1    | ROTOR       |           |       |       |
| 2   |    | 20870-71120 | 1    | RATCHET     |           |       |       |
| 3   |    | 20870-71130 | 1    | COIL SPRING |           |       |       |
| 4   |    | 02403-03100 | 1    | KEY         | 3*10      | 3*10  |       |
| 5   |    | 20035-71220 | 1    | NUT         |           | M8    |       |
| 6   |    | 62600-71320 | 1    | COIL ASSY   |           |       |       |
| 8   |    | 62905-71250 | 1    | PLUG CAP    |           |       |       |
| 9   |    | 62905-71320 | 1    | COIL SPRING |           |       |       |
| 10  |    | 14350-02001 | 1    | LEAD WIRE   |           |       |       |
| 11  |    | 62901-71310 | 1    | GROMMET     |           |       |       |
| 12  |    | 70030-71620 | 2    | INSULATOR   |           |       |       |
| 13  |    | 11024-04265 | 2    | BOLT-SLPW   | M4*26     | M4*26 |       |
| 14  |    | 13001-10005 | 1    | PLIG        | NGK CMR5H | CMR5H |       |

## 5. CARBURETOR, CLEANER



| KEY | LV | PART NUMBER | Q'TY | DESCRIPTION        | REMARKS | NOTE1 | NOTE2 |
|-----|----|-------------|------|--------------------|---------|-------|-------|
| 1   |    | 62600-81010 | 1    | CABURETOR ASSY     |         |       |       |
| 2   | ▪  | 62901-81320 | 1    | VALVE              |         |       |       |
| 3   | ▪  | 62074-81320 | 1    | PLAG               |         |       |       |
| 4   | ▪  | 72933-81450 | 1    | SWIVEL             |         |       |       |
| 5   | ▪  | 20089-81185 | 1    | WASHER             |         |       |       |
| 6   | ▪  | 20036-81195 | 1    | E RING             |         |       |       |
| 7   | ▪  | 70064-81290 | 2    | SCREW              | M3*10   |       |       |
| 8   | ▪  | 70097-81220 | 1    | O-RING             |         |       |       |
| 9   | ▪  | 62902-81310 | 1    | MAIN JET           |         |       |       |
| 10  | ▪  | 37013-81350 | 1    | PUMP BODY ASSY     |         |       |       |
| 11  | ▪  | 20016-81420 | 1    | PUMP BASE COMP     |         |       |       |
| 12  | ▪  | 20016-81510 | 1    | PUMP COVER         |         |       |       |
| 13  | ▪  | 20036-81670 | 1    | PRIMER PUMP        |         |       |       |
| 14  | ▪  | 20016-81140 | 4    | SCREW              |         |       |       |
| 15  | ▪  | 20016-81250 | 1    | O RING             |         |       |       |
| 16  |    | 62901-81211 | 1    | GASKET             |         |       |       |
| 17  |    | 62908-82010 | 1    | CLEANER BODY ASSY  |         |       |       |
| 18  |    | 62908-82120 | 1    | FILTER             |         |       |       |
| 19  |    | 62908-82030 | 1    | CLEANER COVER ASSY |         |       |       |
| 20  | ▪  | 62908-82130 | 1    | CLEANER COVER      |         |       |       |
| 21  | ▪  | 62901-82330 | 2    | KNOB               |         |       |       |
| 22  |    | 11203-05605 | 2    | SCREW,PM           |         |       |       |
| 23  |    | 01613-05080 | 2    | WASHER             |         |       |       |
| 24  |    | 60902-98030 | 1    | GASKRT             |         |       |       |
| 25  |    | 60902-98040 | 1    | VALVE SET          |         |       |       |
| 26  |    | 19402-00148 | 1    | LABEL,CAUTION      |         |       |       |

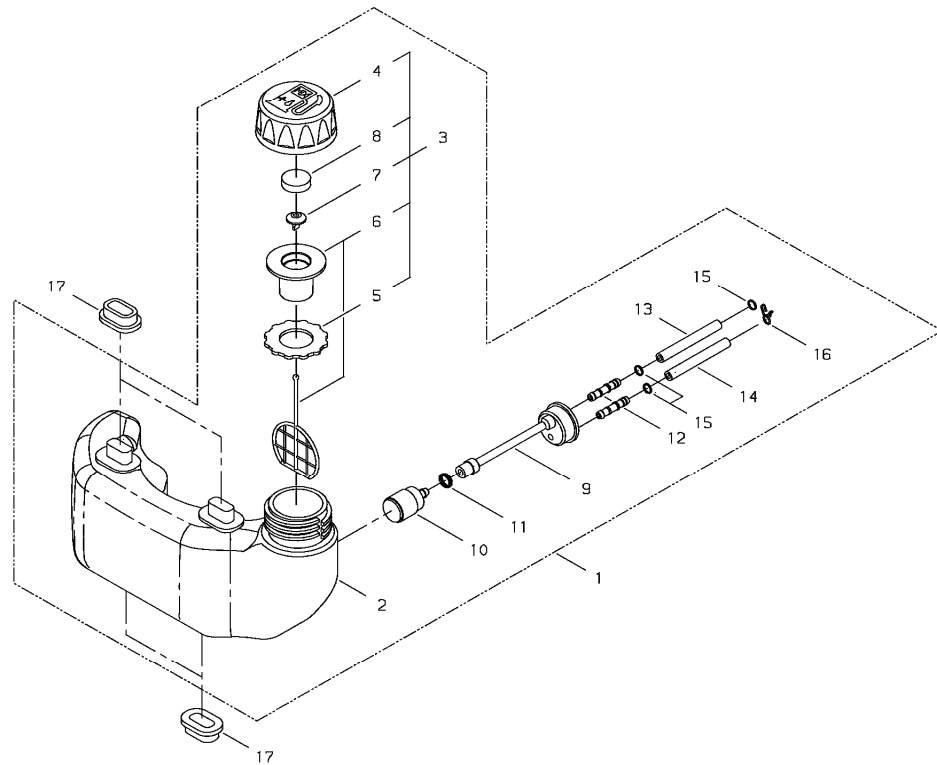
# 5. CARBURETOR, CLEANER



| KEY | LV | PART NUMBER | Q'TY | DESCRIPTION | REMARKS | NOTE1 | NOTE2 |
|-----|----|-------------|------|-------------|---------|-------|-------|
| 27  |    | 62908-82310 | 1    | PREFILTER   |         |       |       |

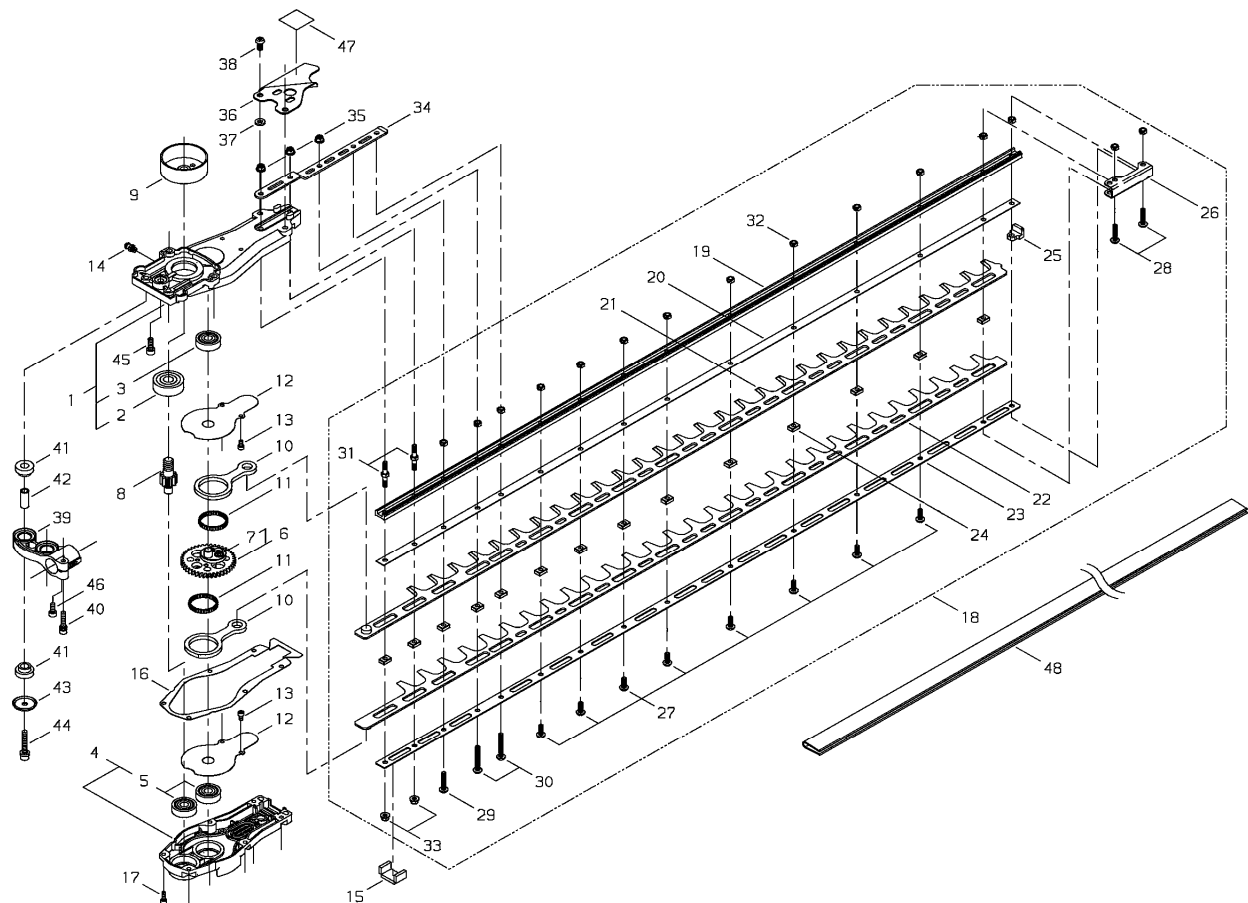


## 6. FUEL TANK



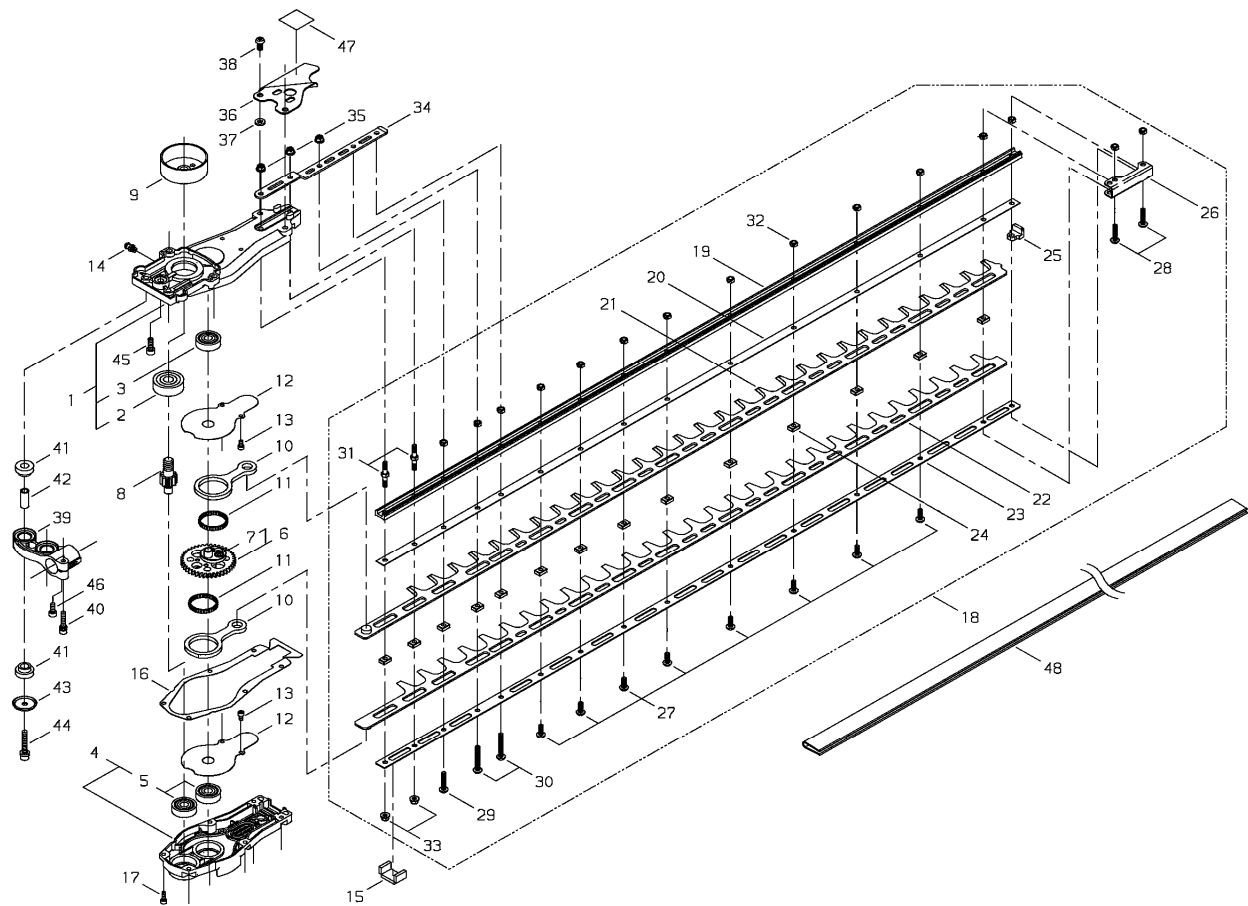
| KEY | LV  | PART NUMBER | Q'TY | DESCRIPTION    | REMARKS | NOTE1 | NOTE2 |
|-----|-----|-------------|------|----------------|---------|-------|-------|
| 1   |     | 62601-85310 | 1    | FUEL TANK ASSY |         |       |       |
| 2   | •   | 62600-85110 | 1    | FUEL TANK      |         |       |       |
| 3   | •   | 62800-85021 | 1    | FUEL CAP ASSY  |         |       |       |
| 4   | • • | 20870-85310 | 1    | FUEL CAP       |         |       |       |
| 5   | • • | 20870-85160 | 1    | GASKET         |         |       |       |
| 6   | • • | 62800-85310 | 1    | HOLDER COMP    |         |       |       |
| 7   | • • | 20870-85320 | 1    | VALVE FUEL     |         |       |       |
| 8   | • • | 20870-85210 | 1    | SEAL,CIRCULAR  |         |       |       |
| 9   | •   | 20870-85121 | 1    | FUEL PIPE      |         |       |       |
| 10  | •   | 20016-85400 | 1    | FUEL FILTER    |         |       |       |
| 11  | •   | 20000-85350 | 1    | CLAMP B        |         |       |       |
| 12  | •   | 72933-85620 | 2    | JOINT          |         |       |       |
| 13  | •   | 20110-83311 | 1    | PIPE           |         |       |       |
| 14  | •   | 20112-85361 | 1    | PIPE           |         |       |       |
| 15  | •   | 20020-85540 | 3    | CLIP           |         |       |       |
| 16  | •   | 37013-85310 | 1    | CLIP           |         |       |       |
| 17  |     | 62901-85220 | 4    | TANK CUSHION   |         |       |       |

## 7. GEAR CASE



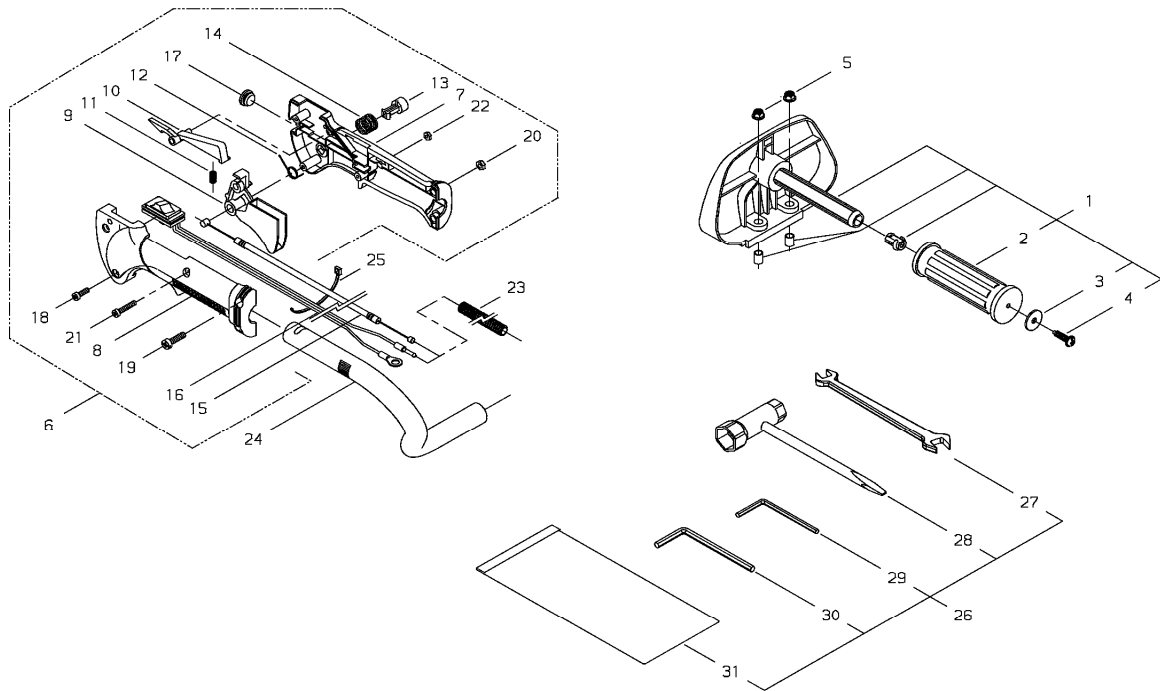
| KEY | LV | PART NUMBER | Q'TY | DESCRIPTION     | REMARKS | NOTE1    | NOTE2 |
|-----|----|-------------|------|-----------------|---------|----------|-------|
| 1   |    | 63600-61010 | 1    | GEAR CASE COMP  |         |          |       |
| 2   | ▪  | 02006-06301 | 1    | BEARING         |         | 6301DDU  |       |
| 3   | ▪  | 02002-06200 | 1    | BEARING         |         | 6200ZZ   |       |
| 4   |    | 63600-61020 | 1    | CASE COVER COMP |         |          |       |
| 5   | ▪  | 02002-06200 | 2    | BEARING         |         | 6200ZZ   |       |
| 6   |    | 63600-61030 | 1    | GEAR COMP       |         |          |       |
| 7   | ▪  | 63600-61320 | 4    | BOLT            |         | M5*6     |       |
| 8   |    | 63600-61150 | 1    | PINION SHAFT    |         |          |       |
| 9   |    | 20870-61420 | 1    | CLUTCH DRUM     |         |          |       |
| 10  |    | 63600-61170 | 2    | ROD             |         |          |       |
| 11  |    | 63600-61330 | 2    | BEARING, NEEDLE |         |          |       |
| 12  |    | 63600-61340 | 2    | PLATE           |         |          |       |
| 13  |    | 01020-04080 | 4    | BOLT            |         | M4*8     |       |
| 14  |    | 20870-61640 | 1    | GREASE NIPPLE   |         |          |       |
| 15  |    | 63600-61350 | 1    | SEAL            |         |          |       |
| 16  |    | 63600-61360 | 1    | GASKET          |         |          |       |
| 17  |    | 01020-04140 | 6    | BOLT            |         | M4*14    |       |
| 18  |    | 63601-62013 | 1    | CUTTER ASSY     |         | 40"      |       |
| 19  | ▪  | 18501-90003 | 1    | GUIDE BAR       |         | 40"      |       |
| 20  | ▪  | 63601-62310 | 1    | UPPER PLATE     |         |          |       |
| 21  | ▪  | 18500-90004 | 1    | BLADE           |         | 40" t2.2 |       |
| 22  | ▪  | 18500-90005 | 1    | BLADE           |         | 40" t2.2 |       |
| 23  | ▪  | 63601-62320 | 1    | LOWER PLATE     |         |          |       |
| 24  | ▪  | 63600-62331 | 14   | SPACER          |         |          |       |
| 25  | ▪  | 63600-62340 | 1    | BLOCK           |         |          |       |
| 26  | ▪  | 63600-62350 | 1    | SIDE PLATE      |         |          |       |

## 7. GEAR CASE



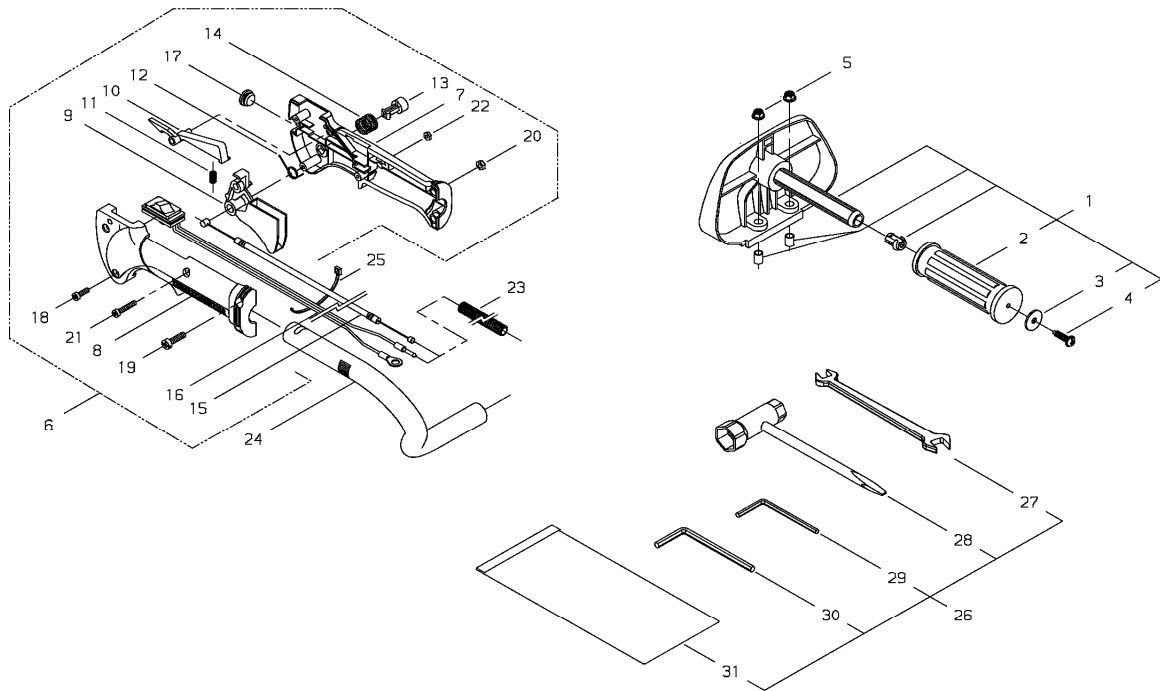
| KEY | LV | PART NUMBER | Q'TY | DESCRIPTION   | REMARKS | NOTE1 | NOTE2 |
|-----|----|-------------|------|---------------|---------|-------|-------|
| 27  | •  | 11230-05140 | 8    | SCREW BUTTON  |         | M5*14 |       |
| 28  | •  | 11230-05220 | 2    | SCREW BUTTON  |         | M5*22 |       |
| 29  | •  | 11230-05250 | 1    | SCREW BUTTON  |         | M5*25 |       |
| 30  | •  | 11230-05350 | 2    | SCREW BUTTON  |         | M5*35 |       |
| 31  | •  | 63600-62370 | 2    | BOLT          |         |       |       |
| 32  | •  | 72935-61240 | 15   | LOCK NUT      |         | M5    |       |
| 33  | •  | 11525-05231 | 2    | NUT           | M5      | M5    |       |
| 34  |    | 63600-62361 | 1    | HOLDER        |         |       |       |
| 35  |    | 11525-05231 | 3    | NUT           | M5      | M5    |       |
| 36  |    | 63600-63310 | 1    | PROTECTOR     |         |       |       |
| 37  |    | 63600-63320 | 2    | COLLAR        |         |       |       |
| 38  |    | 11210-06120 | 2    | SCREW BUTTON  |         | M6*12 |       |
| 39  |    | 20870-65413 | 1    | HANDLE STAY   |         |       |       |
| 40  |    | 11023-05250 | 1    | BOLT SW       |         | M5*25 |       |
| 41  |    | 20870-65421 | 4    | CUSHION       |         |       |       |
| 42  |    | 15401-10200 | 2    | COLLAR        |         |       |       |
| 43  |    | 20870-65430 | 2    | PLATE         |         |       |       |
| 44  |    | 11020-06350 | 2    | BOLT SW       |         | M6*35 |       |
| 45  |    | 01020-06160 | 3    | BOLT          |         | M6*16 |       |
| 46  |    | 01020-05120 | 1    | BOLT          | M5*12   | M5*12 |       |
| 47  |    | 19402-00147 | 1    | LABEL CAUTION |         |       |       |
| 48  |    | 19601-01700 | 1    | COVER         |         | 40"   |       |

## 8. HANDLE



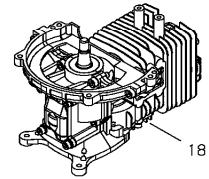
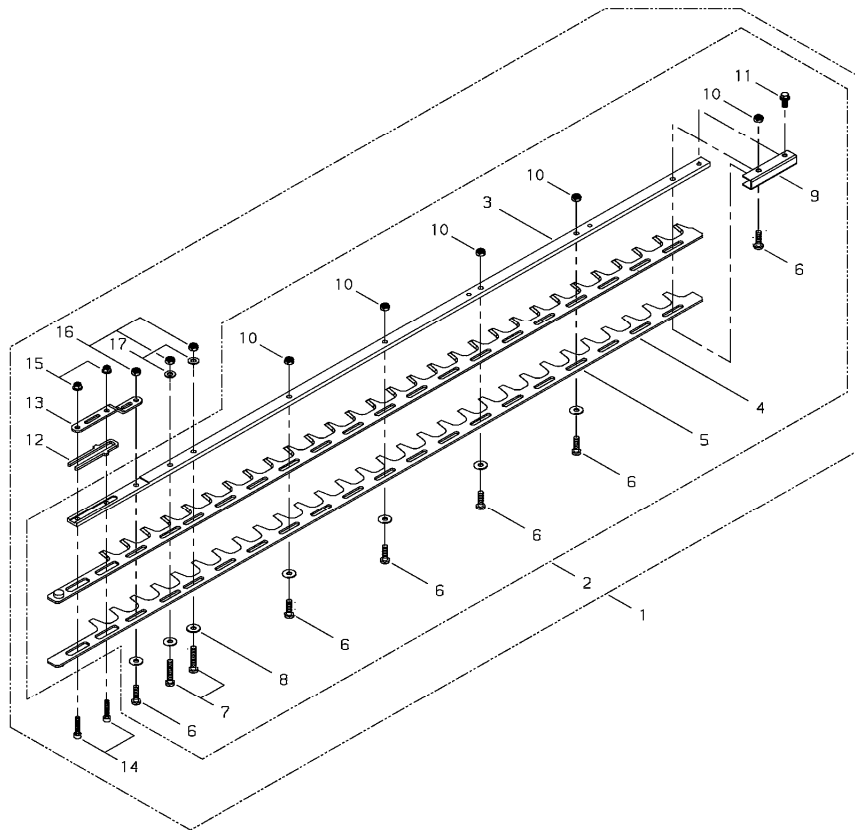
| KEY | LV | PART NUMBER | Q'TY | DESCRIPTION       | REMARKS | NOTE1 | NOTE2 |
|-----|----|-------------|------|-------------------|---------|-------|-------|
| 1   |    | 20870-64104 | 1    | FRONT HANDLE COMP |         |       |       |
| 2   | •  | 20870-64122 | 1    | GRIP              |         |       |       |
| 3   | •  | 15401-20011 | 1    | COLLAR            |         |       |       |
| 4   | •  | 22160-32220 | 1    | SCREW             | M5*20   |       |       |
| 5   |    | 11525-05231 | 2    | NUT               | M5      | M5    |       |
| 6   |    | 64600-65011 | 1    | REAR HANDLE ASSY  |         |       |       |
| 7   | •  | 70871-65112 | 1    | BODY RIGHT        |         |       |       |
| 8   | •  | 70871-65122 | 1    | BODY LEFT         |         |       |       |
| 9   | •  | 70871-65130 | 1    | LEVER             |         |       |       |
| 10  | •  | 70871-65140 | 1    | LOCK LEVER        |         |       |       |
| 11  | •  | 70871-65150 | 1    | COIL SPRING       |         |       |       |
| 12  | •  | 70871-65160 | 1    | COIL SPRING       |         |       |       |
| 13  | •  | 70871-65170 | 1    | BUTTON            |         |       |       |
| 14  | •  | 70871-65180 | 1    | COIL SPRING       |         |       |       |
| 15  | •  | 64600-65310 | 1    | THROTTLE CABLE    |         |       |       |
| 16  | •  | 70871-65202 | 1    | SWITCH COMP       |         |       |       |
| 17  | •  | 22150-33630 | 1    | PLUG              |         |       |       |
| 18  | •  | 70871-65311 | 3    | SCREW TAPPING     |         | 4x16  |       |
| 19  | •  | 70871-65320 | 2    | SCREW PM          |         | M5x20 |       |
| 20  | •  | 01501-05030 | 2    | NUT               | M5      | M5    |       |
| 21  | •  | 70871-65331 | 1    | SCREW             |         | M4x23 |       |
| 22  | •  | 70871-65340 | 1    | NUT               |         | M4    |       |
| 23  |    | 64600-65320 | 1    | TUBE              |         |       |       |
| 24  |    | 20870-65311 | 1    | PIPE              |         |       |       |
| 25  |    | 15210-12305 | 1    | BAND              |         |       |       |
| 26  |    | 64902-92310 | 1    | TOOL SET          |         |       |       |

8. HANDLE



| KEY | LV | PART NUMBER | Q'TY | DESCRIPTION     | REMARKS       | NOTE1  | NOTE2 |
|-----|----|-------------|------|-----------------|---------------|--------|-------|
| 27  | •  | 22000-91120 | 1    | SPANNER         |               | 8x10   |       |
| 28  | •  | 22580-91180 | 1    | PLUG WRENCH     |               | 13x16  |       |
| 29  | •  | 09026-04001 | 1    | HEXA WRENCH     | 4MM M5ㇿ       | 4mm M5 |       |
| 30  | •  | 09026-05001 | 1    | HEXA WRENCH 6MM |               | 5mm M6 |       |
| 31  | •  | 19639-01400 | 1    | BAG,PACKING     | 140*200*T0.08 |        |       |

## 9. OPTION



| KEY | LV  | PART NUMBER | Q'TY | DESCRIPTION | REMARKS | NOTE1    | NOTE2 |
|-----|-----|-------------|------|-------------|---------|----------|-------|
| 1   |     | 60601-98310 | 1    | CUTTER SET  |         | 40"      |       |
| 2   | •   | 60601-98320 | 1    | CUTTER ASSY |         | 40"      |       |
| 3   | • • | 18501-90004 | 1    | GUIDE BAR   |         | 40"      |       |
| 4   | • • | 18500-90006 | 1    | BLADE       |         | 40" t2.4 |       |
| 5   | • • | 18500-90007 | 1    | BLADE       |         | 40" t2.4 |       |
| 6   | • • | 20870-62110 | 6    | BOLT        |         | M6*20    |       |
| 7   | • • | 20870-62120 | 2    | BOLT        |         | M6*32    |       |
| 8   | • • | 20870-62131 | 7    | WASHER      |         |          |       |
| 9   | • • | 70875-62310 | 1    | PLATE       |         |          |       |
| 10  | • • | 11525-06210 | 5    | U NUT       |         | M6       |       |
| 11  | • • | 20870-63120 | 1    | BOLT SLPW   |         |          |       |
| 12  | •   | 60600-98330 | 1    | SPACER      |         |          |       |
| 13  | •   | 60600-98340 | 1    | HOLDER      |         |          |       |
| 14  | •   | 01020-05250 | 2    | BOLT        |         | M5*25    |       |
| 15  | •   | 11525-05231 | 2    | NUT         | M5      | M5       |       |
| 16  | •   | 11525-06210 | 3    | U NUT       |         | M6       |       |
| 17  | •   | 01613-06100 | 2    | WASHER      |         |          |       |
| 18  |     | 60600-98370 | 1    | SHORT BLOCK |         |          |       |

**Index**

| <b>Patrs Number</b> | <b>Key No.</b> | <b>Patrs Number</b> | <b>Key No.</b> | <b>Patrs Number</b> | <b>Key No.</b> |
|---------------------|----------------|---------------------|----------------|---------------------|----------------|
| 01020-04080         | 7 - 13         | 15210-12305         | 8 - 25         | 20870-65430         | 7 - 43         |
| 01020-04120         | 2 - 21         | 15401-10028         | 3 - 24         | 20870-71120         | 4 - 2          |
| 01020-04140         | 7 - 17         | 15401-10200         | 7 - 42         | 20870-71130         | 4 - 3          |
| 01020-05120         | 2 - 22         | 15401-20011         | 8 - 3          | 20870-85121         | 6 - 9          |
| 01020-05120         | 7 - 46         | 17520-08900         | 3 - 14         | 20870-85160         | 6 - 5          |
| 01020-05160         | 1 - 2          | 18500-90004         | 7 - 21         | 20870-85210         | 6 - 8          |
| 01020-05160         | 1 - 15         | 18500-90005         | 7 - 22         | 20870-85310         | 6 - 4          |
| 01020-05250         | 9 - 14         | 18500-90006         | 9 - 4          | 20870-85320         | 6 - 7          |
| 01020-06160         | 7 - 45         | 18500-90007         | 9 - 5          | 22000-91120         | 8 - 27         |
| 01211-03100         | 2 - 4          | 18501-90003         | 7 - 19         | 22100-71430         | 3 - 43         |
| 01280-04062         | 3 - 16         | 18501-90004         | 9 - 3          | 22100-71430         | 3 - 45         |
| 01501-05030         | 8 - 20         | 19402-00147         | 7 - 47         | 22150-33630         | 8 - 17         |
| 01501-06048         | 1 - 19         | 19402-00148         | 5 - 26         | 22160-32220         | 8 - 4          |
| 01610-05080         | 1 - 16         | 19420-00070         | 2 - 23         | 22580-91180         | 8 - 28         |
| 01613-05080         | 5 - 23         | 19420-00106         | 2 - 24         | 37013-81350         | 5 - 10         |
| 01613-06100         | 9 - 17         | 19601-01700         | 7 - 48         | 37013-85310         | 6 - 16         |
| 02002-06200         | 7 - 3          | 19639-01400         | 8 - 31         | 37019-41240         | 3 - 7          |
| 02002-06200         | 7 - 5          | 20000-41320         | 3 - 5          | 37076-75140         | 2 - 13         |
| 02006-06301         | 7 - 2          | 20000-85350         | 6 - 11         | 38800-15010         | 1 - 8          |
| 02403-03100         | 4 - 4          | 20010-75190         | 2 - 14         | 38800-15160         | 1 - 11         |
| 09026-04001         | 8 - 29         | 20010-75210         | 2 - 15         | 60600-98330         | 9 - 12         |
| 09026-05001         | 8 - 30         | 20016-81140         | 5 - 14         | 60600-98340         | 9 - 13         |
| 11020-06350         | 7 - 44         | 20016-81250         | 5 - 15         | 60600-98351         | 1 - 1          |
| 11022-04120         | 2 - 7          | 20016-81420         | 5 - 11         | 60600-98370         | 9 - 18         |
| 11022-04140         | 3 - 22         | 20016-81510         | 5 - 12         | 60601-98310         | 9 - 1          |
| 11022-04140         | 3 - 36         | 20016-85400         | 6 - 10         | 60601-98320         | 9 - 2          |
| 11023-05250         | 7 - 40         | 20020-85540         | 6 - 15         | 60902-98030         | 5 - 24         |
| 11024-04265         | 4 - 13         | 20035-71220         | 4 - 5          | 60902-98040         | 5 - 25         |
| 11060-05141         | 2 - 19         | 20036-81195         | 5 - 6          | 60908-98370         | 3 - 48         |
| 11060-05202         | 2 - 16         | 20036-81670         | 5 - 13         | 62074-81320         | 5 - 3          |
| 11203-05605         | 5 - 22         | 20087-51210         | 3 - 41         | 62600-31011         | 2 - 8          |
| 11204-04060         | 1 - 12         | 20087-51231         | 3 - 42         | 62600-31111         | 2 - 9          |
| 11206-05225         | 1 - 7          | 20089-81185         | 5 - 5          | 62600-31310         | 2 - 12         |
| 11210-06120         | 7 - 38         | 20110-83311         | 6 - 13         | 62600-31320         | 2 - 10         |
| 11230-05140         | 7 - 27         | 20112-85361         | 6 - 14         | 62600-32110         | 2 - 17         |
| 11230-05220         | 7 - 28         | 20115-51111         | 3 - 39         | 62600-33310         | 2 - 20         |
| 11230-05250         | 7 - 29         | 20870-51211         | 3 - 44         | 62600-42020         | 3 - 8          |
| 11230-05350         | 7 - 30         | 20870-51220         | 3 - 46         | 62600-51010         | 3 - 37         |
| 11525-05231         | 7 - 33         | 20870-61420         | 7 - 9          | 62600-51020         | 3 - 38         |
| 11525-05231         | 7 - 35         | 20870-61640         | 7 - 14         | 62600-51310         | 3 - 40         |
| 11525-05231         | 8 - 5          | 20870-62110         | 9 - 6          | 62600-71111         | 4 - 1          |
| 11525-05231         | 9 - 15         | 20870-62120         | 9 - 7          | 62600-71320         | 4 - 6          |
| 11525-06210         | 9 - 10         | 20870-62131         | 9 - 8          | 62600-81010         | 5 - 1          |
| 11525-06210         | 9 - 16         | 20870-63120         | 9 - 11         | 62600-83310         | 1 - 17         |
| 11620-10000         | 3 - 47         | 20870-64104         | 8 - 1          | 62600-85110         | 6 - 2          |
| 12492-50290         | 3 - 17         | 20870-64122         | 8 - 2          | 62601-85310         | 6 - 1          |
| 12492-50310         | 3 - 33         | 20870-65311         | 8 - 24         | 62601-91320         | 2 - 25         |
| 13001-10005         | 4 - 14         | 20870-65413         | 7 - 39         | 62800-85021         | 6 - 3          |
| 14350-02001         | 4 - 10         | 20870-65421         | 7 - 41         | 62800-85310         | 6 - 6          |



**Index**

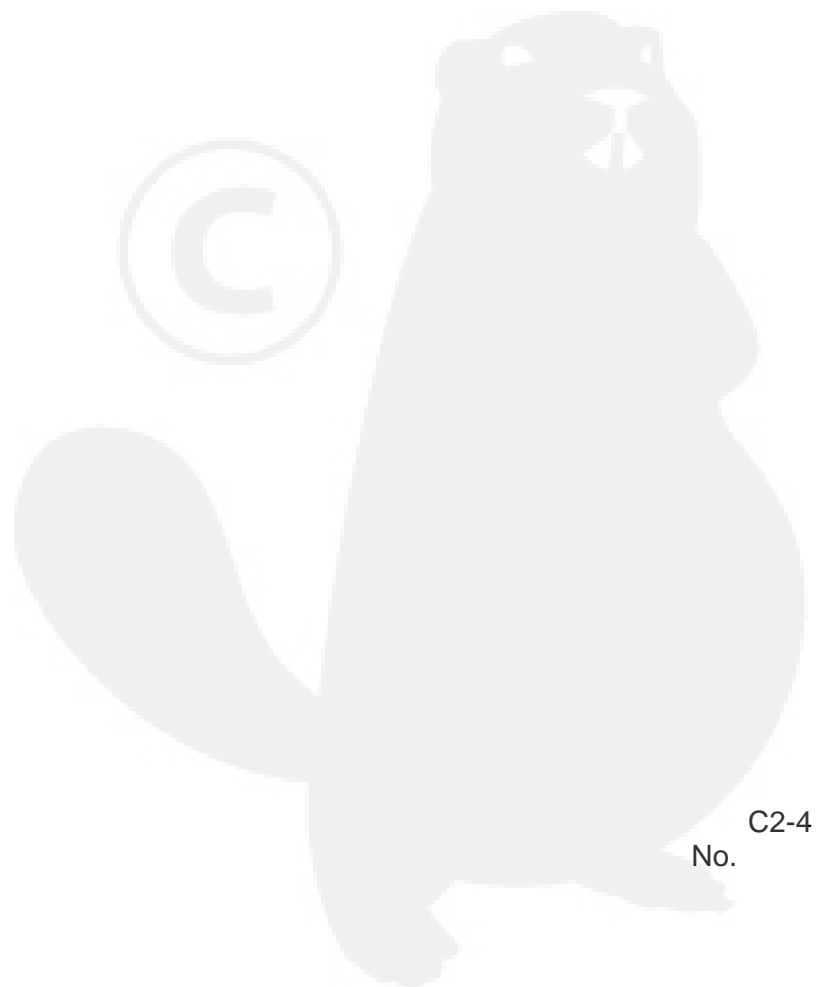
| <b>Patrs Number</b> | <b>Key No.</b> | <b>Patrs Number</b> | <b>Key No.</b> | <b>Patrs Number</b> | <b>Key No.</b> |
|---------------------|----------------|---------------------|----------------|---------------------|----------------|
| 62901-12220         | 1 - 6          | 62908-82030         | 5 - 19         | 72933-85620         | 6 - 12         |
| 62901-12320         | 1 - 5          | 62908-82120         | 5 - 18         | 72935-61240         | 7 - 32         |
| 62901-15210         | 1 - 13         | 62908-82130         | 5 - 20         |                     |                |
| 62901-15310         | 1 - 14         | 62908-82310         | 5 - 27         |                     |                |
| 62901-21120         | 2 - 5          | 63600-61010         | 7 - 1          |                     |                |
| 62901-21130         | 2 - 6          | 63600-61020         | 7 - 4          |                     |                |
| 62901-21320         | 2 - 1          | 63600-61030         | 7 - 6          |                     |                |
| 62901-32312         | 2 - 18         | 63600-61150         | 7 - 8          |                     |                |
| 62901-41210         | 3 - 4          | 63600-61170         | 7 - 10         |                     |                |
| 62901-41230         | 3 - 6          | 63600-61320         | 7 - 7          |                     |                |
| 62901-42260         | 3 - 9          | 63600-61330         | 7 - 11         |                     |                |
| 62901-42270         | 3 - 10         | 63600-61340         | 7 - 12         |                     |                |
| 62901-43240         | 3 - 21         | 63600-61350         | 7 - 15         |                     |                |
| 62901-43310         | 3 - 23         | 63600-61360         | 7 - 16         |                     |                |
| 62901-43330         | 3 - 20         | 63600-62331         | 7 - 24         |                     |                |
| 62901-44130         | 3 - 27         | 63600-62340         | 7 - 25         |                     |                |
| 62901-44210         | 3 - 30         | 63600-62350         | 7 - 26         |                     |                |
| 62901-44231         | 3 - 32         | 63600-62361         | 7 - 34         |                     |                |
| 62901-44241         | 3 - 34         | 63600-62370         | 7 - 31         |                     |                |
| 62901-44250         | 3 - 35         | 63600-63310         | 7 - 36         |                     |                |
| 62901-71310         | 4 - 11         | 63600-63320         | 7 - 37         |                     |                |
| 62901-81211         | 5 - 16         | 63601-62013         | 7 - 18         |                     |                |
| 62901-81320         | 5 - 2          | 63601-62310         | 7 - 20         |                     |                |
| 62901-82330         | 5 - 21         | 63601-62320         | 7 - 23         |                     |                |
| 62901-85220         | 6 - 17         | 64600-65011         | 8 - 6          |                     |                |
| 62902-12310         | 1 - 3          | 64600-65310         | 8 - 15         |                     |                |
| 62902-12320         | 1 - 4          | 64600-65320         | 8 - 23         |                     |                |
| 62902-15111         | 1 - 9          | 64902-92310         | 8 - 26         |                     |                |
| 62902-15131         | 1 - 10         | 70030-71620         | 4 - 12         |                     |                |
| 62902-41110         | 3 - 2          | 70030-75130         | 2 - 11         |                     |                |
| 62902-41120         | 3 - 3          | 70064-81290         | 5 - 7          |                     |                |
| 62902-41310         | 3 - 1          | 70097-81220         | 5 - 8          |                     |                |
| 62902-43310         | 3 - 12         | 70871-65112         | 8 - 7          |                     |                |
| 62902-44111         | 3 - 25         | 70871-65122         | 8 - 8          |                     |                |
| 62902-44121         | 3 - 26         | 70871-65130         | 8 - 9          |                     |                |
| 62902-81310         | 5 - 9          | 70871-65140         | 8 - 10         |                     |                |
| 62902-83310         | 1 - 18         | 70871-65150         | 8 - 11         |                     |                |
| 62905-43011         | 3 - 11         | 70871-65160         | 8 - 12         |                     |                |
| 62905-43131         | 3 - 15         | 70871-65170         | 8 - 13         |                     |                |
| 62905-71250         | 4 - 8          | 70871-65180         | 8 - 14         |                     |                |
| 62905-71320         | 4 - 9          | 70871-65202         | 8 - 16         |                     |                |
| 62907-43120         | 3 - 13         | 70871-65311         | 8 - 18         |                     |                |
| 62907-43210         | 3 - 18         | 70871-65320         | 8 - 19         |                     |                |
| 62907-44010         | 3 - 29         | 70871-65331         | 8 - 21         |                     |                |
| 62907-44220         | 3 - 31         | 70871-65340         | 8 - 22         |                     |                |
| 62908-43220         | 3 - 19         | 70875-62310         | 9 - 9          |                     |                |
| 62908-44140         | 3 - 28         | 72320-83121         | 2 - 2          |                     |                |
| 62908-44310         | 3 - 49         | 72320-83132         | 2 - 3          |                     |                |
| 62908-82010         | 5 - 17         | 72933-81450         | 5 - 4          |                     |                |



# YAMABIKO CORPORATION

7-2 SUEHIROCHO 1-CHOME, OHME, TOKYO 198-8760, JAPAN  
PHONE: 81-428-32-6118. FAX: 81-428-32-6145.

**shindaiwa<sup>®</sup>**



C2-4  
No.