

# shindaiwa

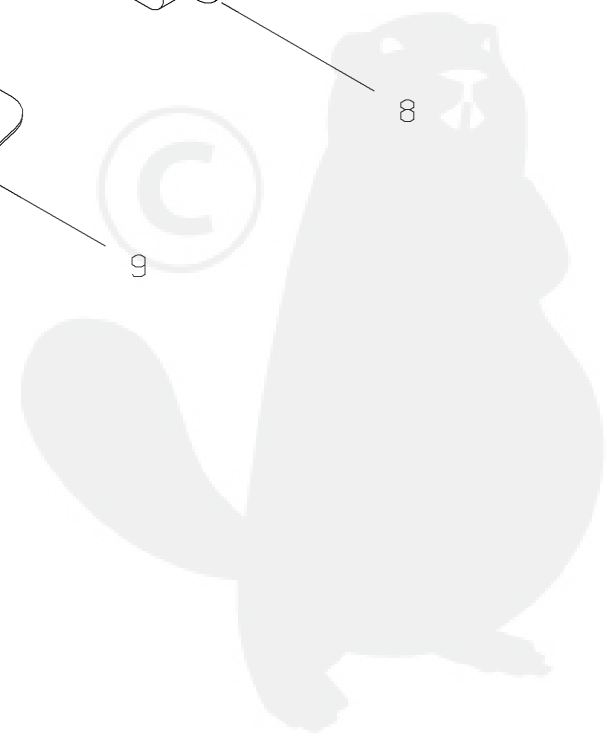
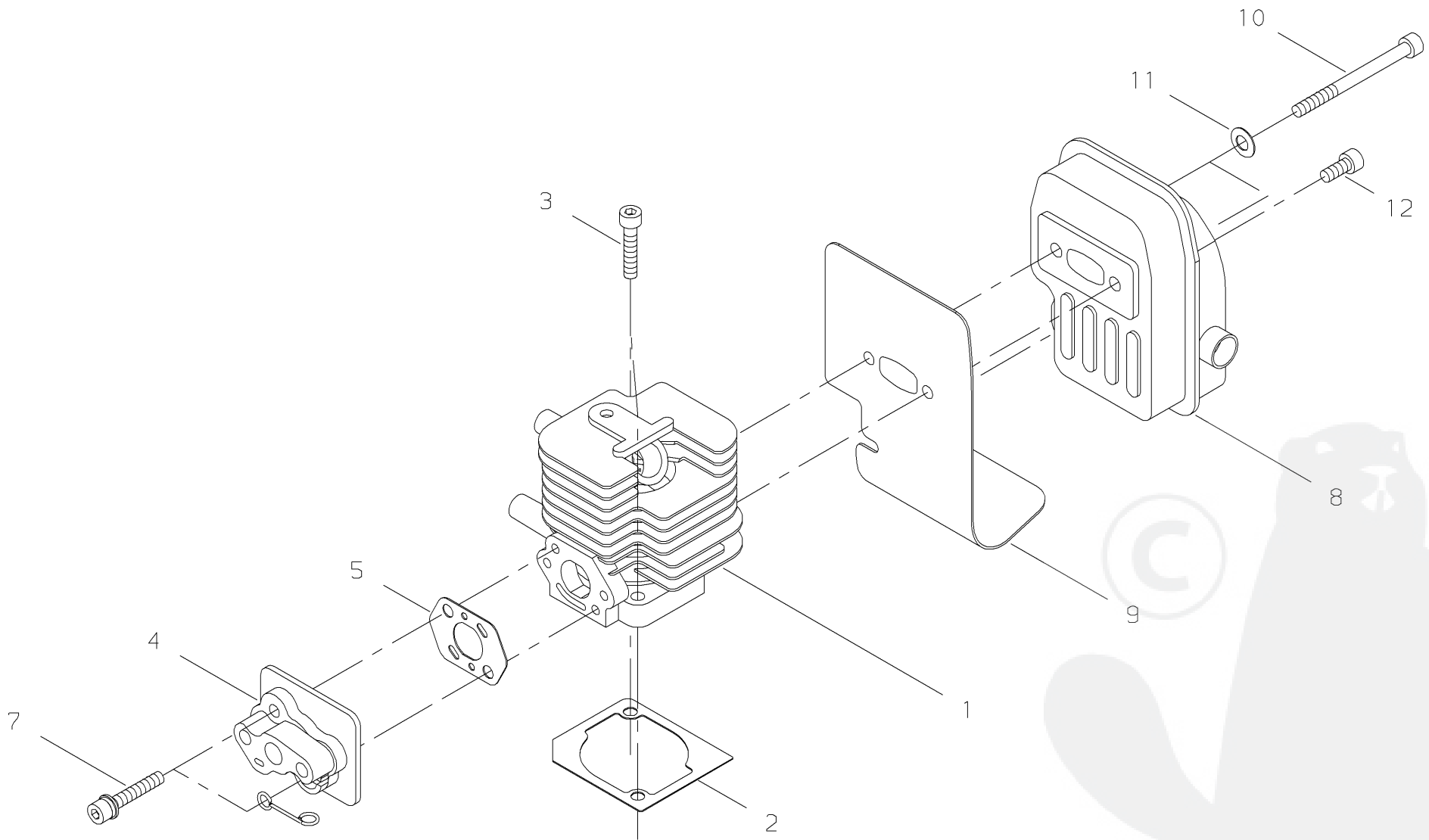
## Illustrated Parts List

# 230PH/EC1

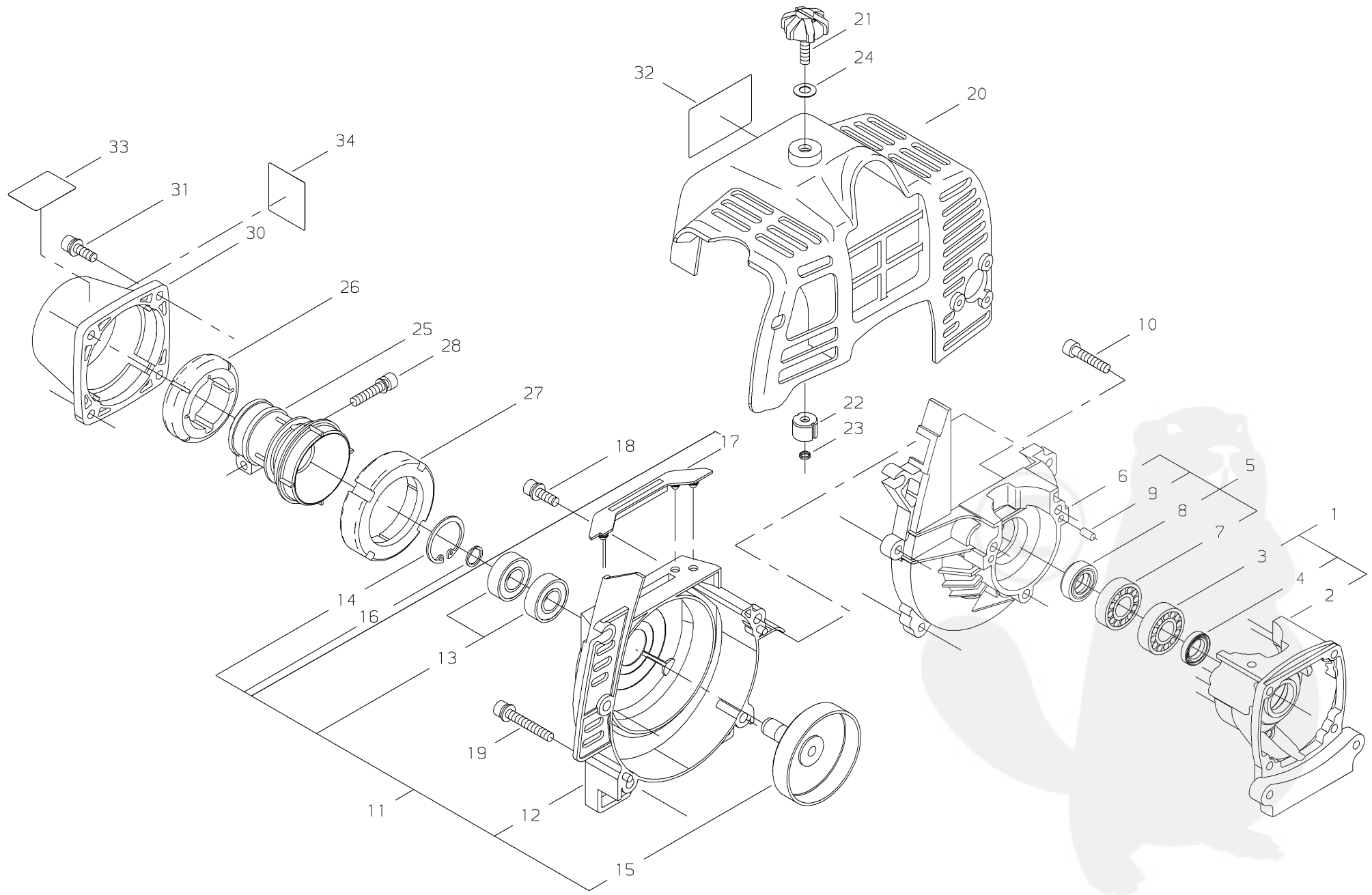


Shindaiwa, Inc.  
11975 S.W. Herman Road  
Tualatin, Oregon 97062  
Telephone 503 692-3070  
Fax 503 692-6696

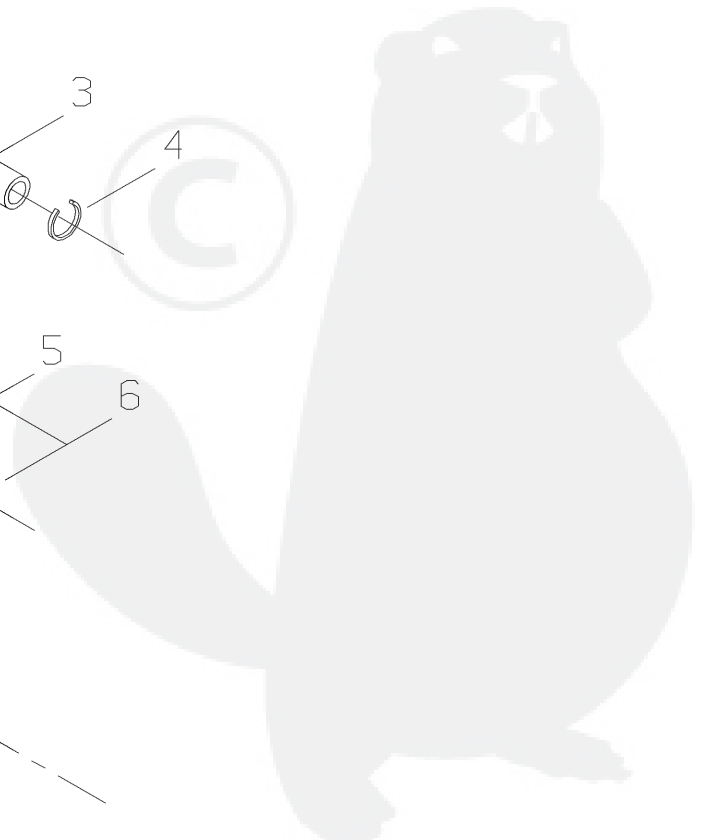
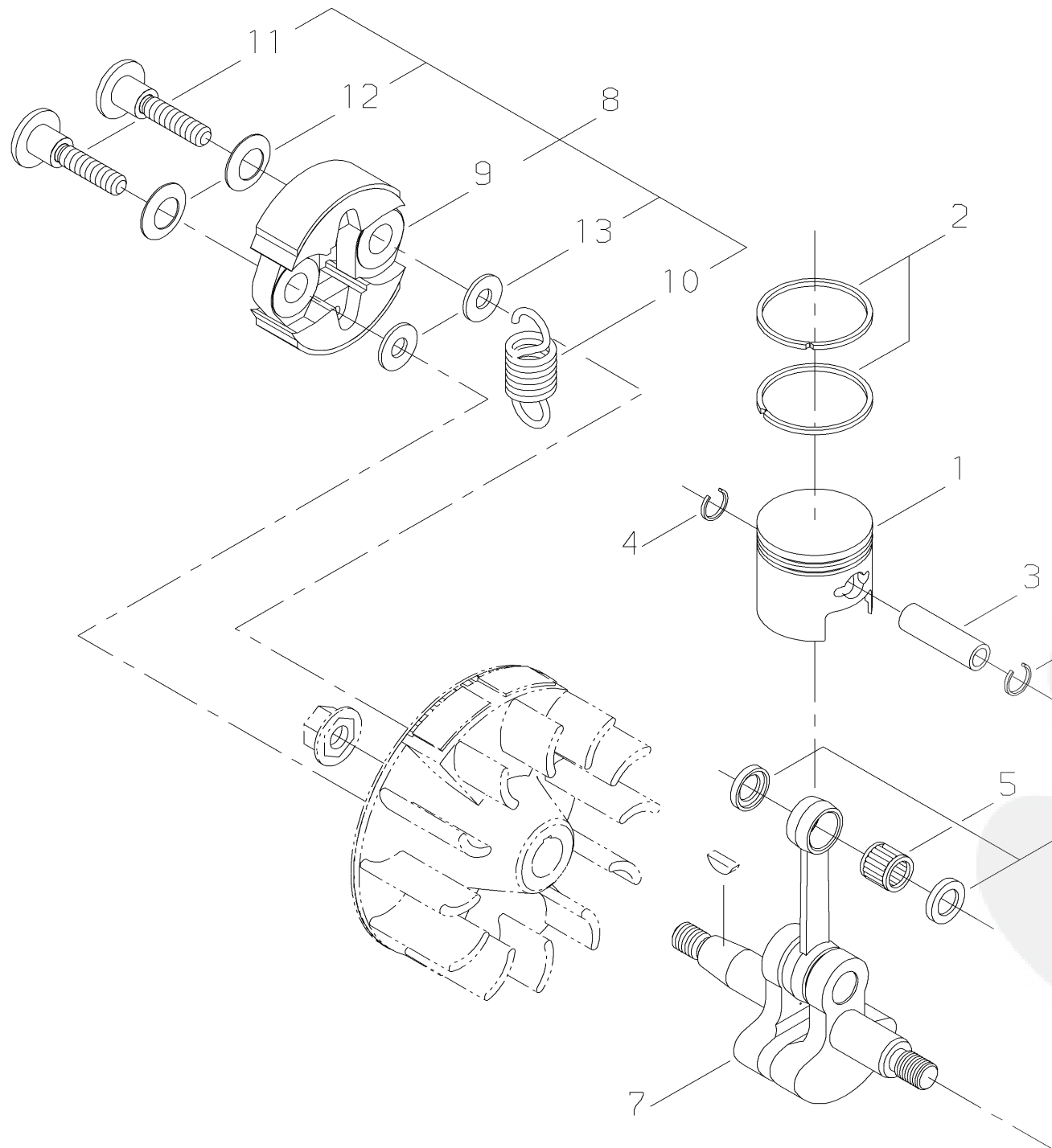
230PH/EC1  
REV July 19, 2005



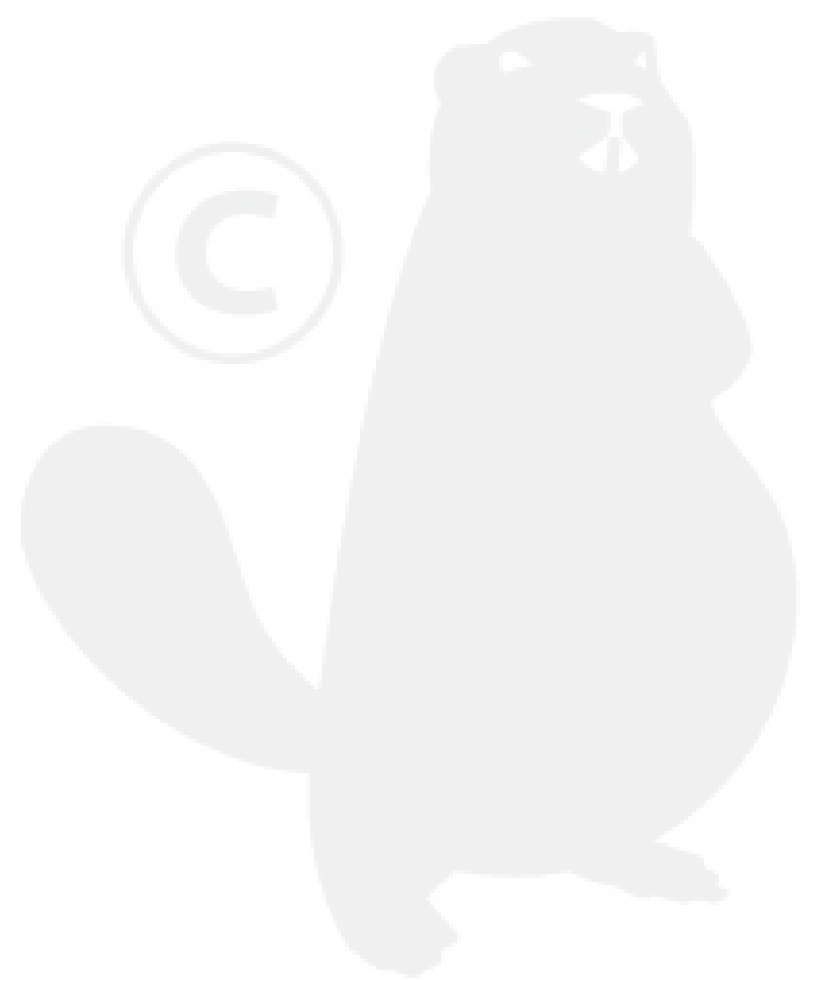
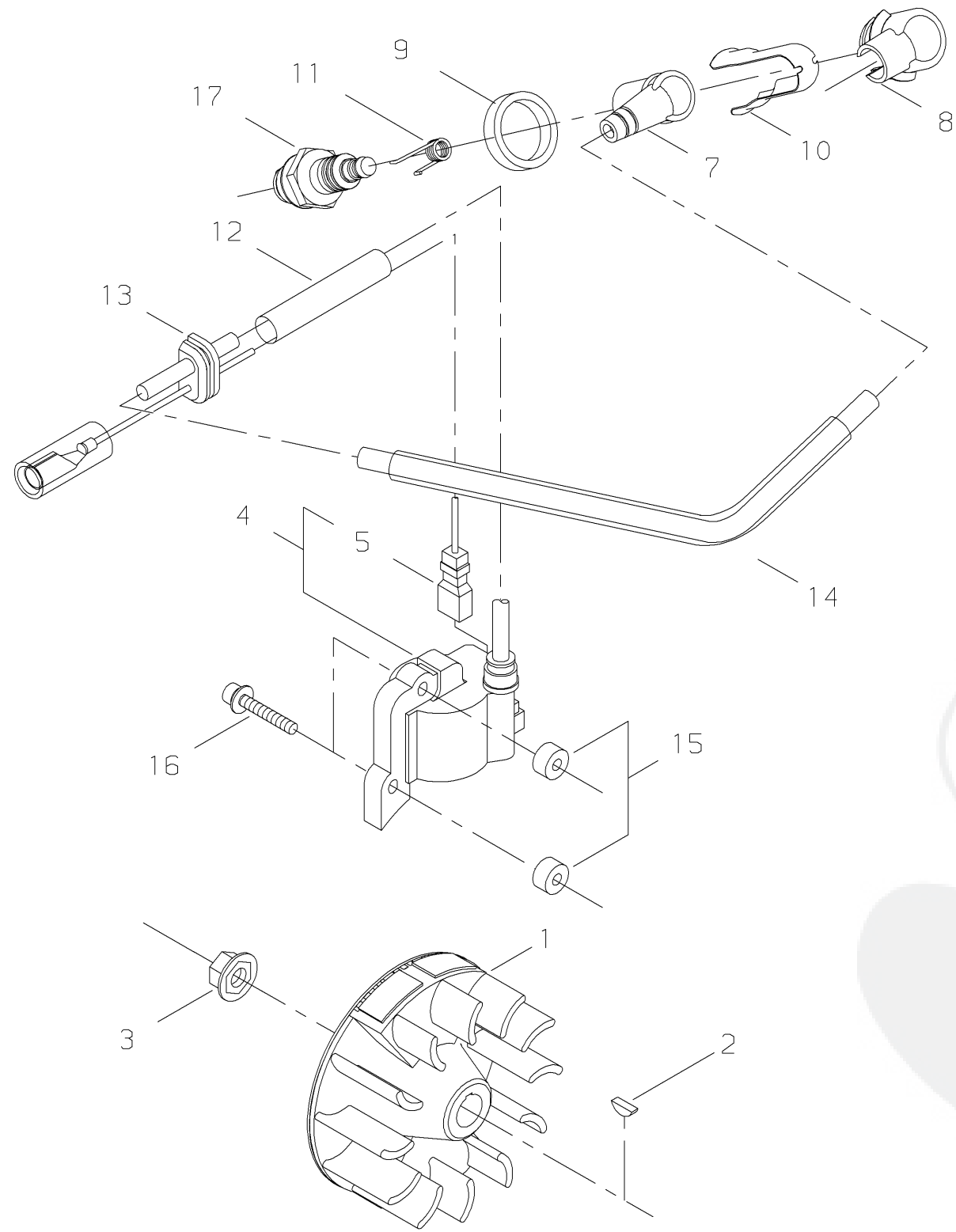






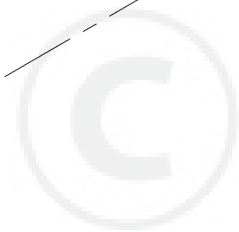
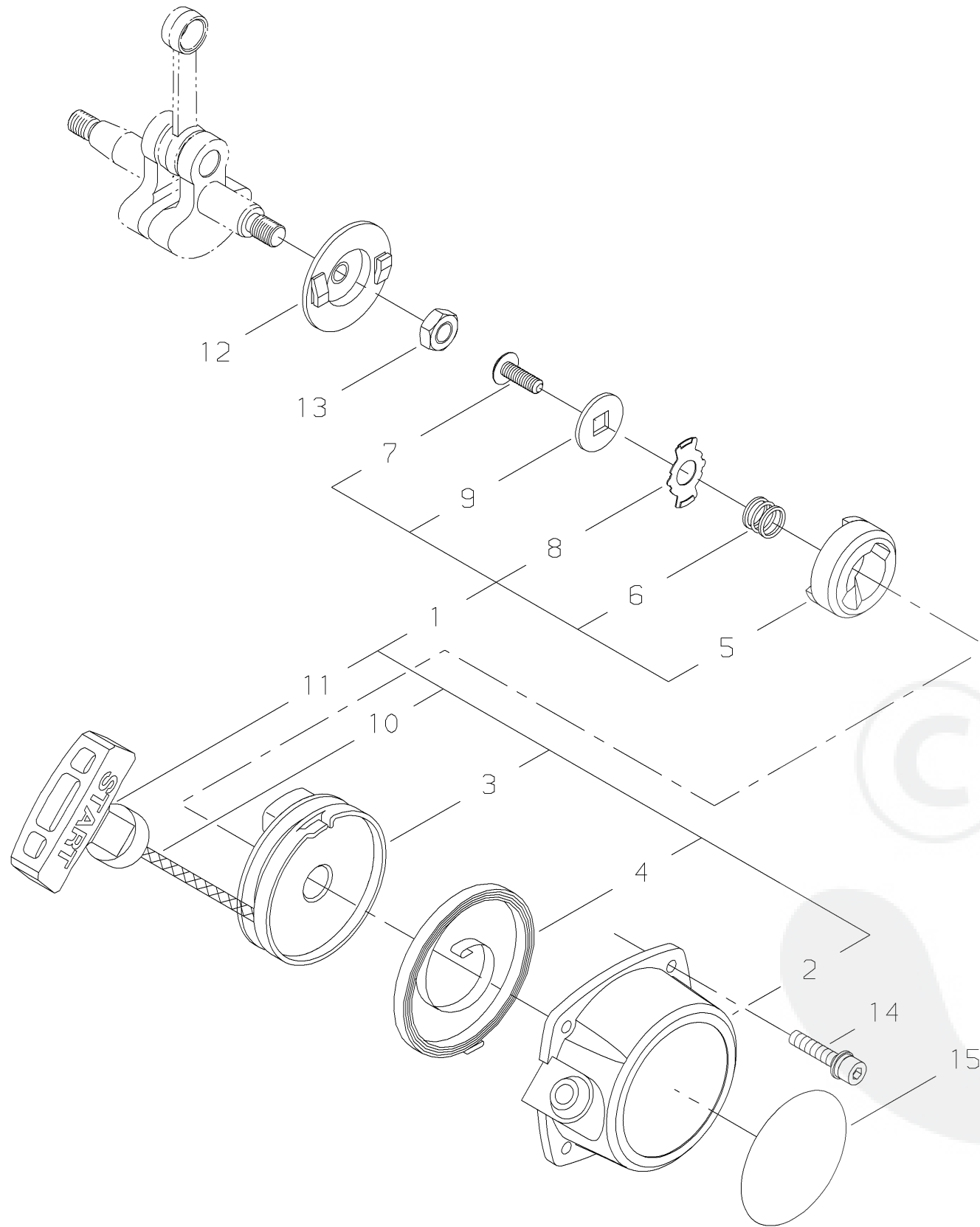




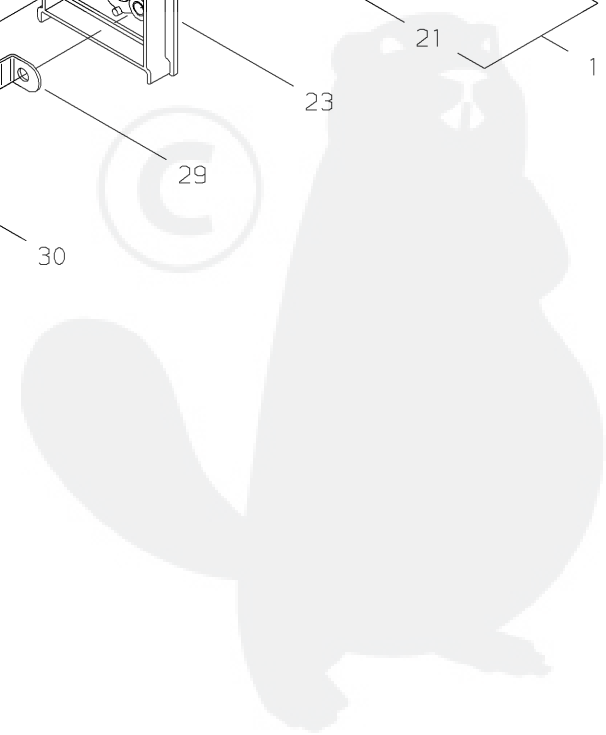
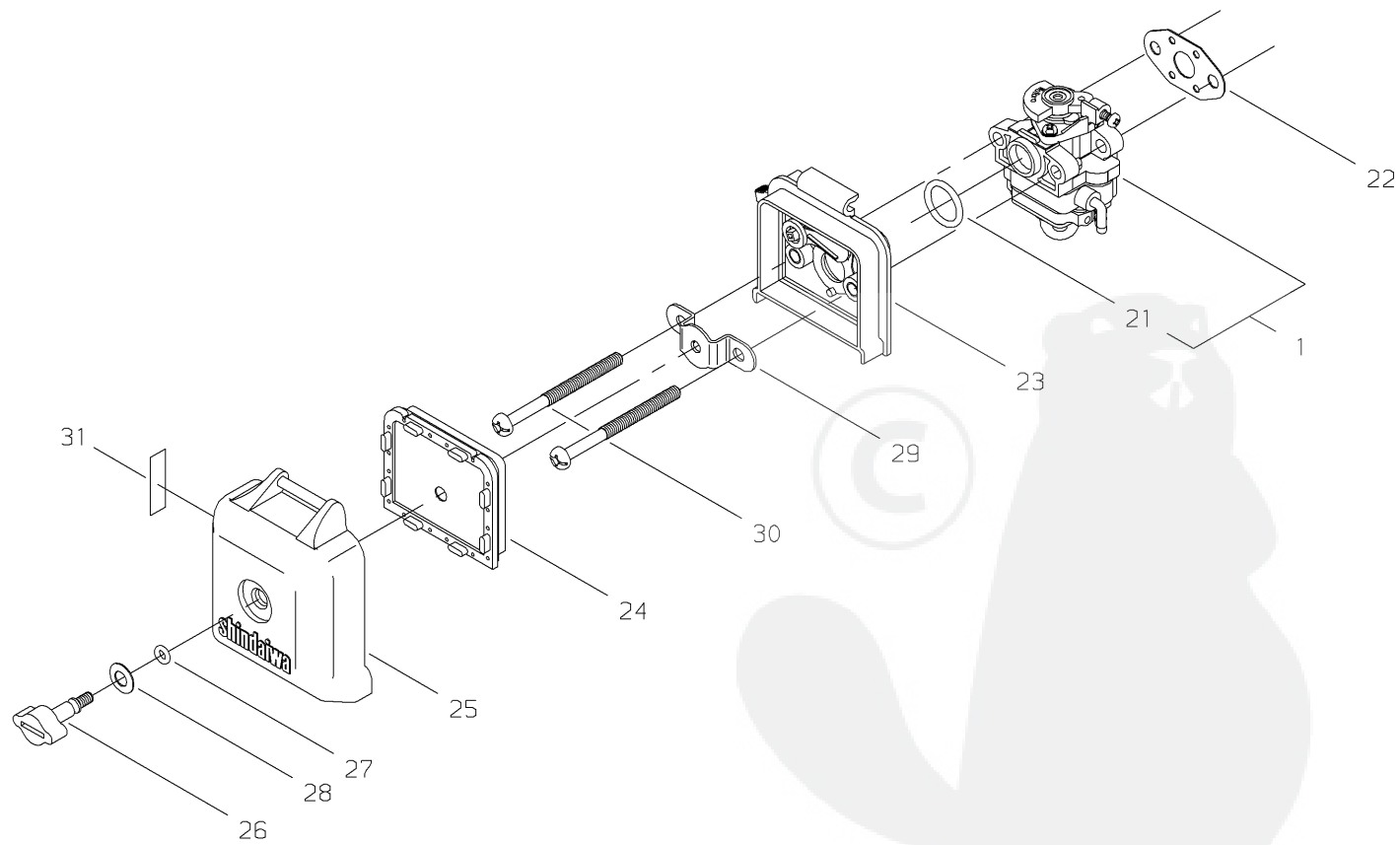
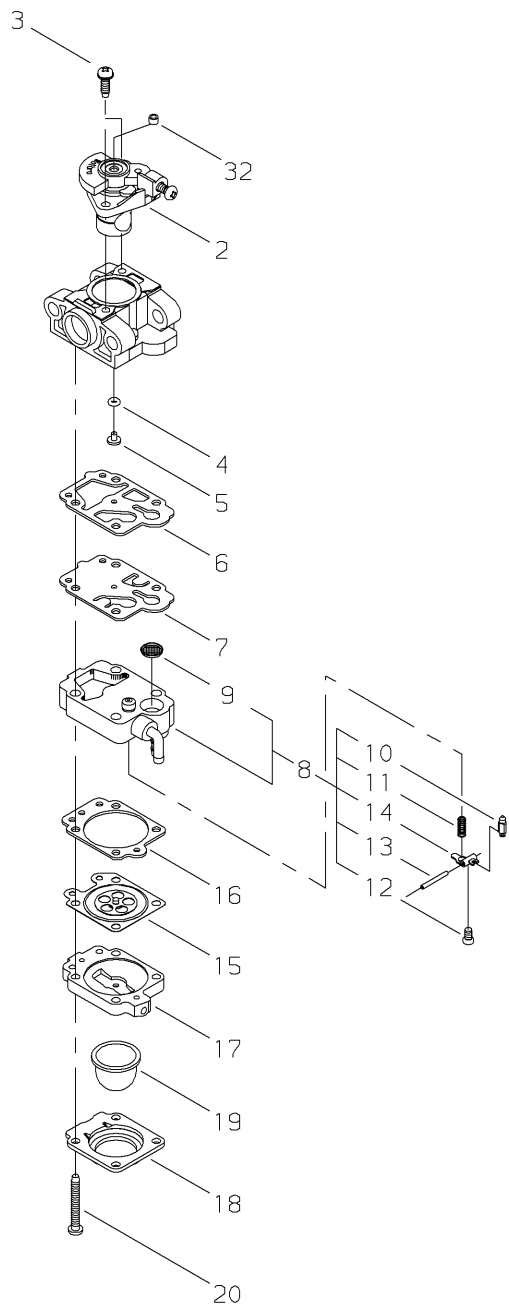




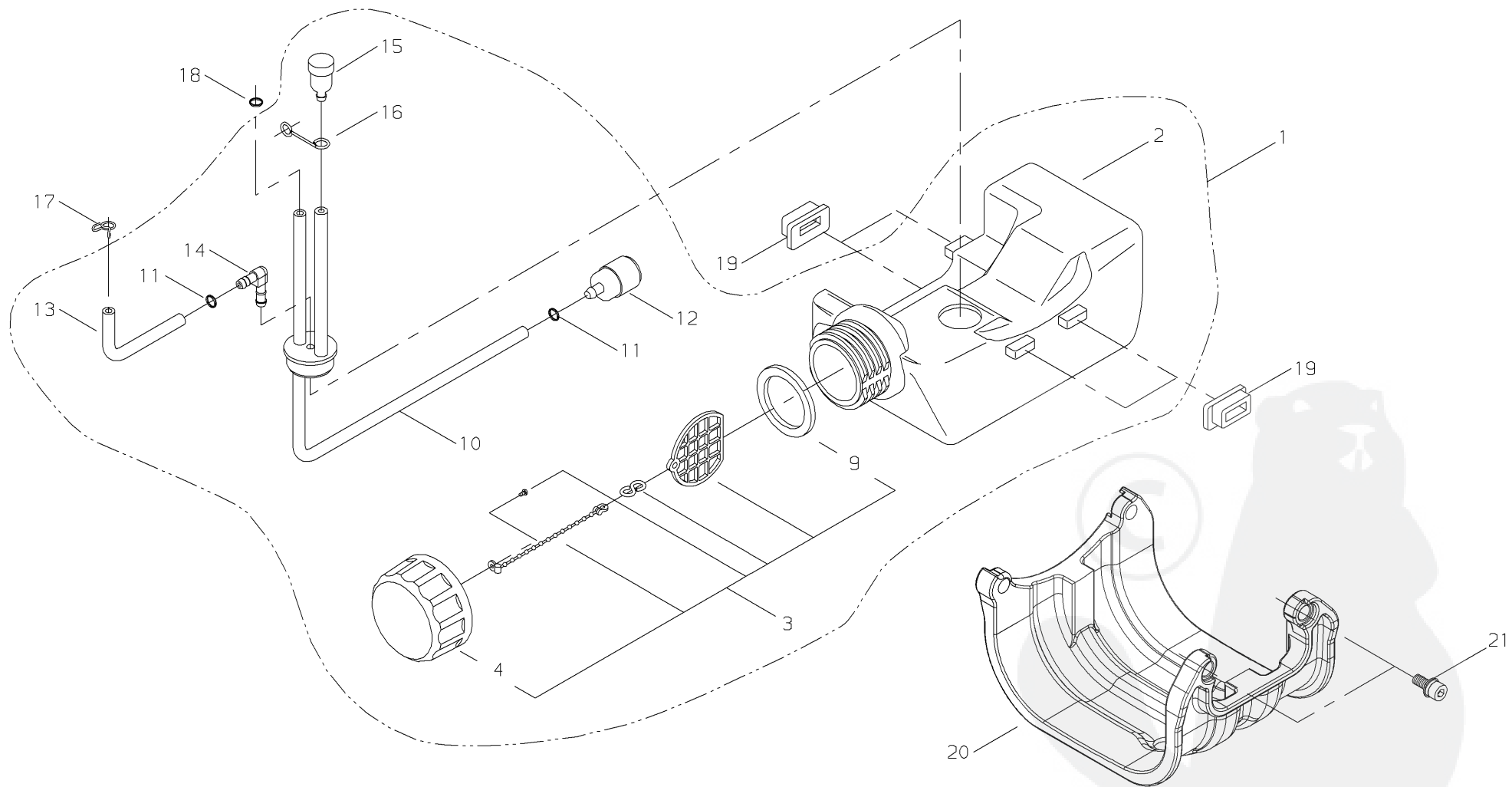




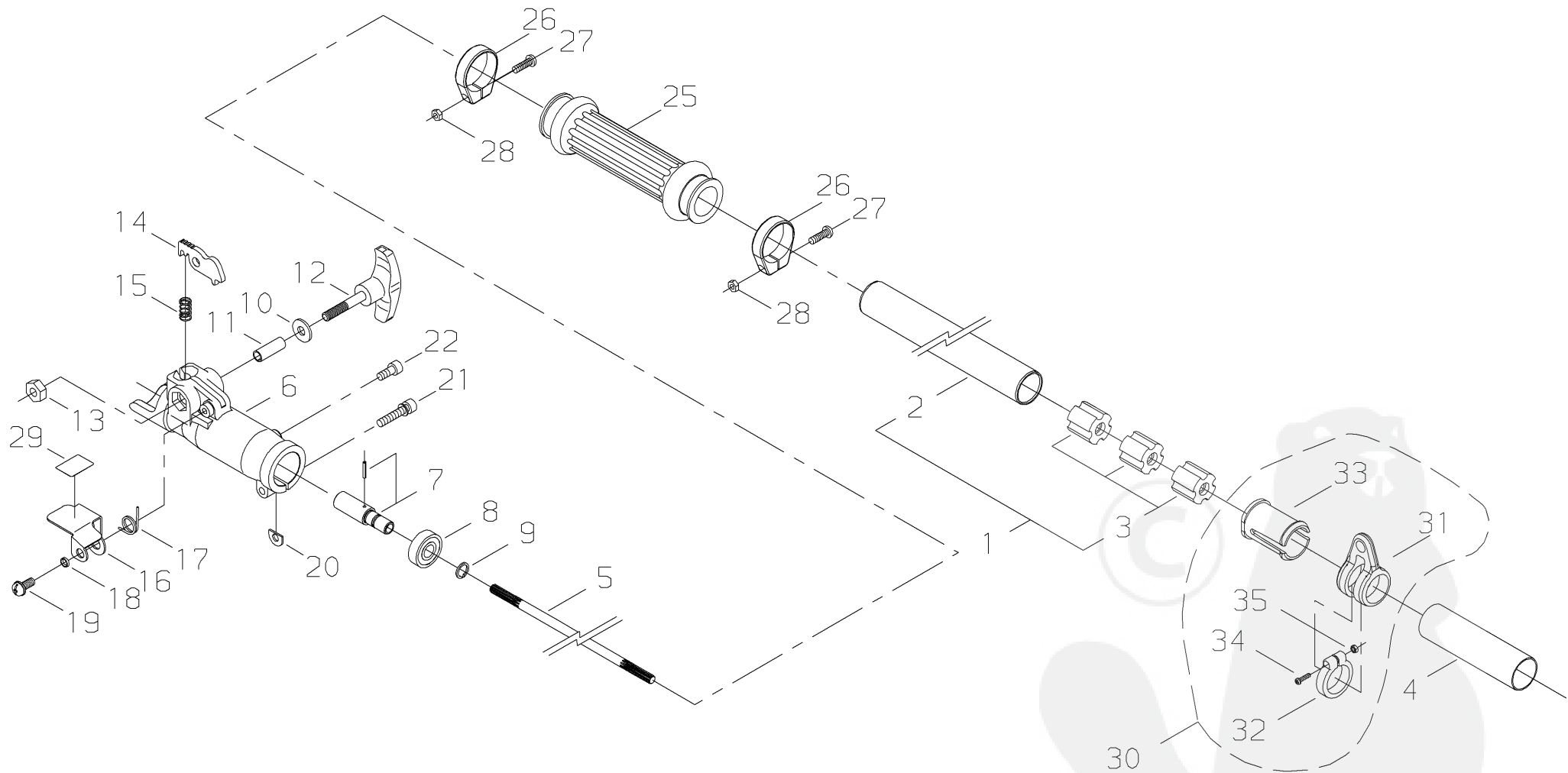














Ref. No	Part No.	Part Name	Qty	Remarks,Serial No.
8-1	65005-62010	OUTER PIPE COMP	1	
2	63880-64320	*OUTER PIPE	1	
3	22035-12120	*BUSH	3	
4	65006-62310	PROTECTOR	1	
5	63880-64340	MAIN SHAFT	1	
6	37000-62220	JOINT CASE	1	
7	63880-64360	JOINT SHAFT	1	
8	02002-00609	BEARING	1	
9	22420-13350	SNAP RING	1	
10	72030-14130	WASHER	1	
11	17901-06220	COLLAR	1	
12	63880-64380	KNOB	1	
13	63880-64410	NUT	1	
14	37000-62310	LOCK LEVER	1	
15	17500-06001	COILSPRING	1	
16	37000-62340	COVER	1	
17	17520-12400	COIL SPRING	1	
18	15401-00004	COLLAR	1	
19	11207-05120	SCREW PMSLPW	1	
20	22000-13420	SHIM	1	
21	11203-05250	SCREW PM	1	
22	01020-05120	BOLT	1	
25	37017-62131	GRIP	1	
26	37017-62310	CLAMP	2	
27	11203-04161	SCREW PM	2	
28	22015-14390	NYLON NUT	2	
29	19401-00168	LABEL INST.	1	
30	33008-62340	HANGER ASSY.	1	
31	33008-62151	*HANGER	1	
32	33008-62311	*CLAMP	1	
33	33008-62321	*COLLAR	1	
34	11203-04160	*SCREW PM	1	
35	01500-04031	*NUT	1	

