

**shindaiwa<sup>®</sup>**

# **PARTS CATALOG**

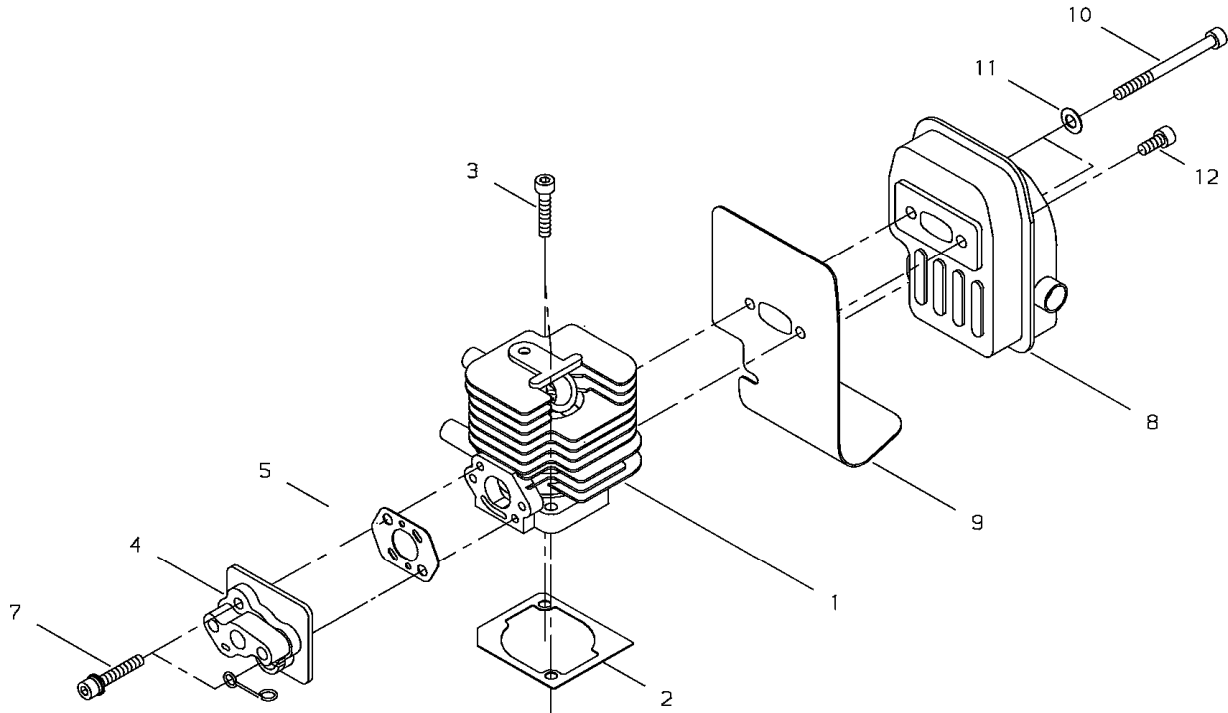
**MULTI-TOOL SYSTEM**

**230PHS EC1**



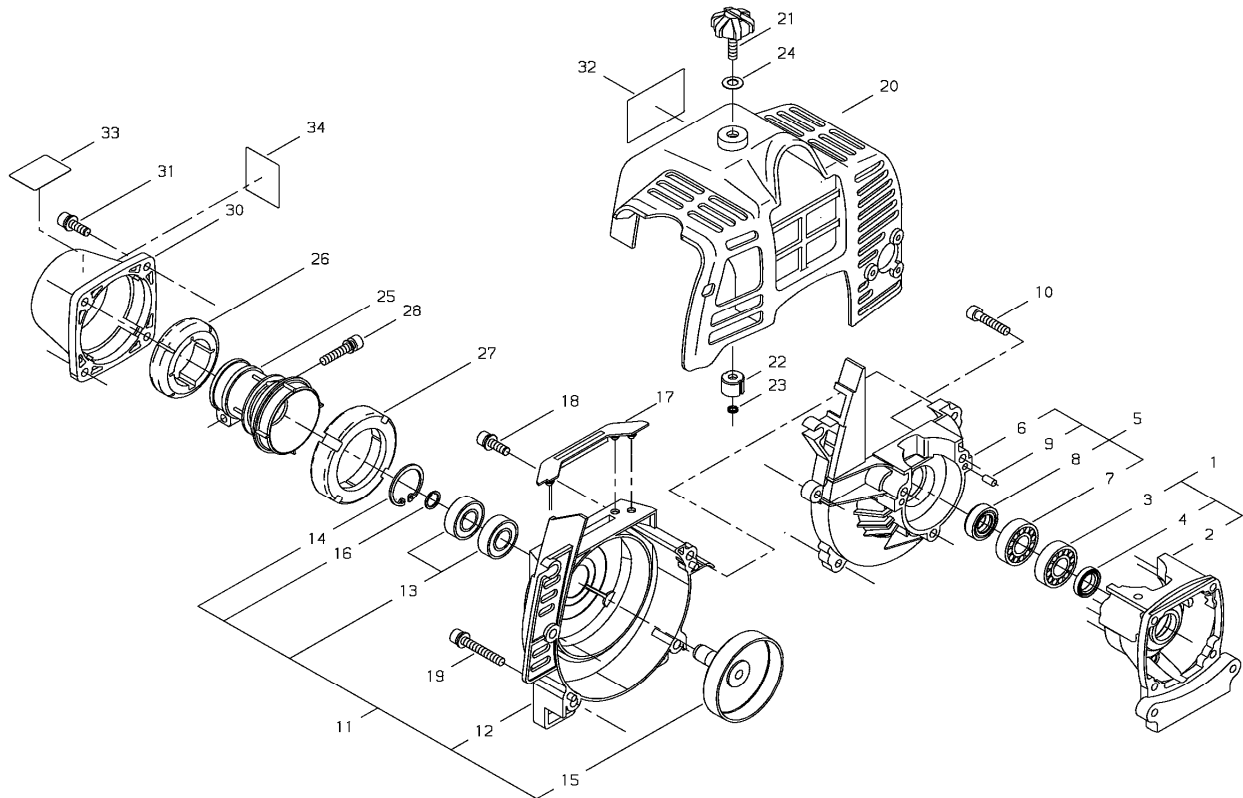
230PHS EC1

1. CYLINDER, MUFFLER



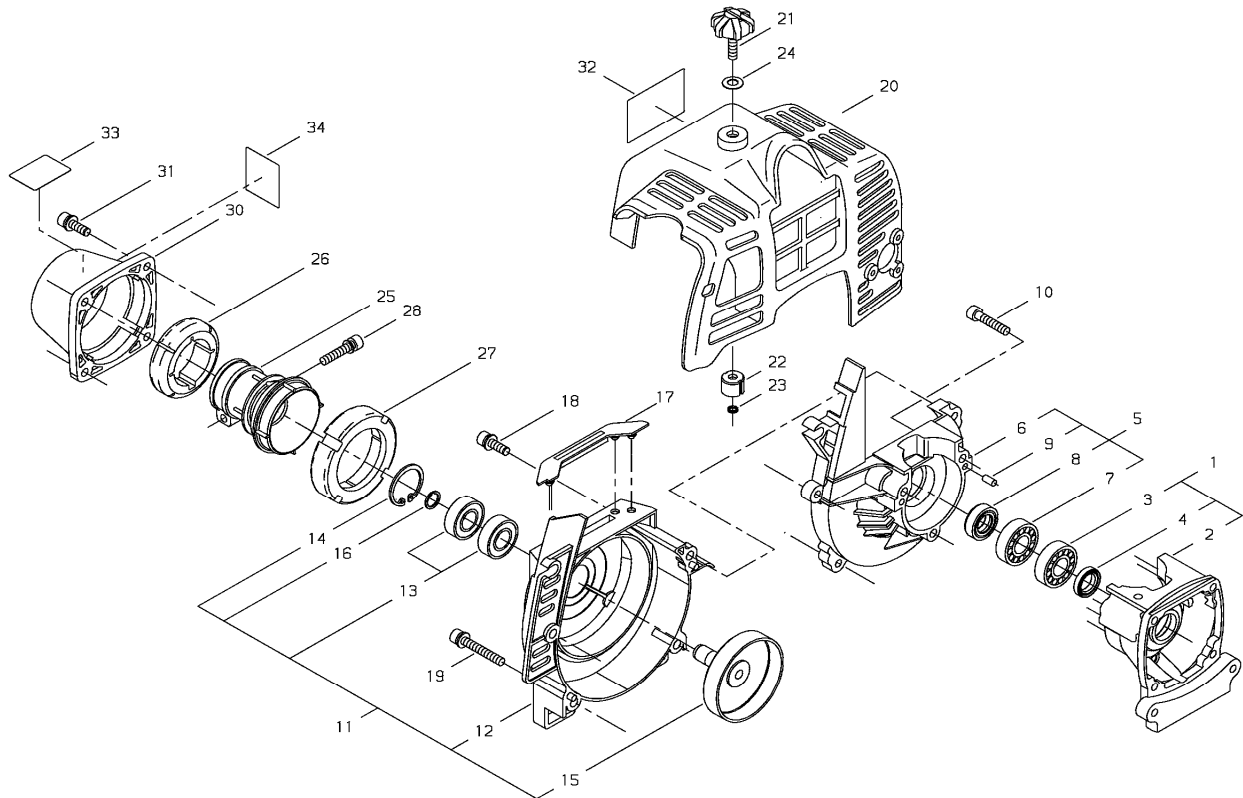
KEY	LV	PART NUMBER	Q'TY	DESCRIPTION	REMARKS	NOTE1	NOTE2
1		62809-12111	1	CYLINDER			
2		20016-12120	1	GASKET			
3		01020-05250	2	BOLT		M5*25	
4		20016-12213	1	INSULATOR			
5		20016-12222	1	GASKET			
7		11022-05300	2	BOLT SW			
8		70135-15110	1	MUFFLER			
9		20016-15123	1	GASKET			
10		01020-05500	2	BOLT		M5*50	
11		01610-05080	2	WASHER		5mm T:0.8 MFZN3-C	
12		01020-05120	1	BOLT	M5*12	M5*12	

## 2. CRANKCASE, FANCOVER



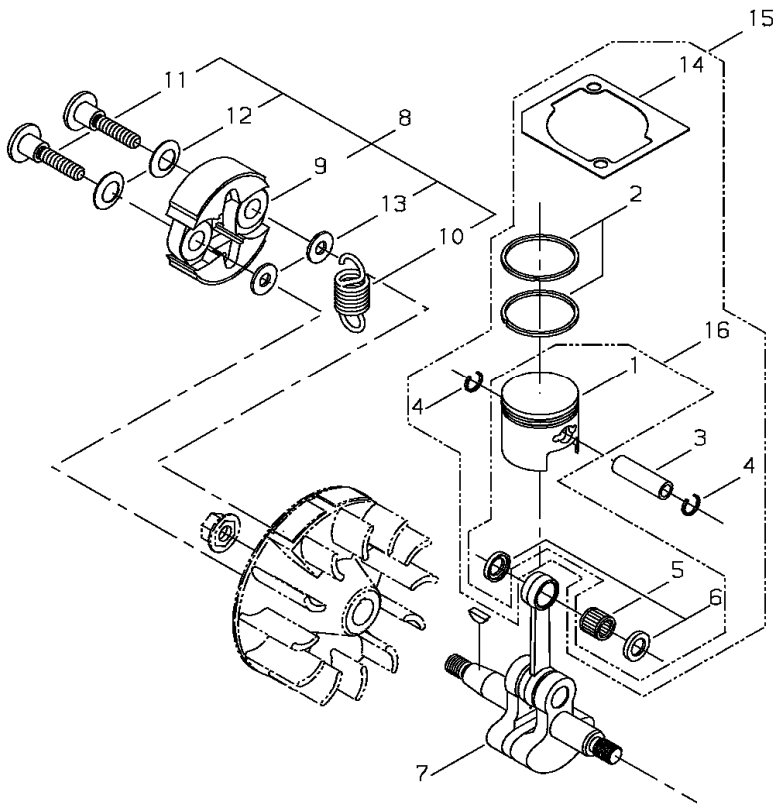
KEY	LV	PART NUMBER	Q'TY	DESCRIPTION	REMARKS	NOTE1	NOTE2
1		20016-21100	1	CRANK CASE S COMP			
2	•	20016-21111	1	CRANK CASE S			
3	•	12900-60010	1	BALL BEARING		6001	
4	•	22150-21250	1	SEAL,OIL			
5		20016-21200	1	CRANK CASE M COMP			
6	•	20016-21120	1	CRANK CASE M			
7	•	12900-60010	1	BALL BEARING		6001	
8	•	20000-21211	1	OIL SEAL			
9	•	12492-40080	2	ROLLER			
10		01020-05250	3	BOLT		M5x25	
11		62010-31011	1	FAN COVER COMP			
12	•	70140-31113	1	FAN COVER			
13	•	02002-06000	2	BALL BEARING		6000ZZ	
14	•	02432-26120	1	SNAP RING		φ26	
15	•	20087-31210	1	CLUTCH DRUM			
16	•	22000-13320	1	SNAP RING			
17	•	70140-31130	1	CUSHION			
18		11022-05160	2	BOLT SPW		M5x16	
19		11022-05450	2	BOLT SPW		M5x45	
20		70140-32111	1	CYLINDER COVER			
21		20018-31251	1	KNOB			
22		20018-31260	1	INSULATOR			
23		20018-31270	1	CLIP			
24		20024-81790	1	CONE WASHER			
25		20018-31411	1	JOINT			
26		20018-31420	1	FRONT CUSHION			

## 2. CRANKCASE, FANCOVER



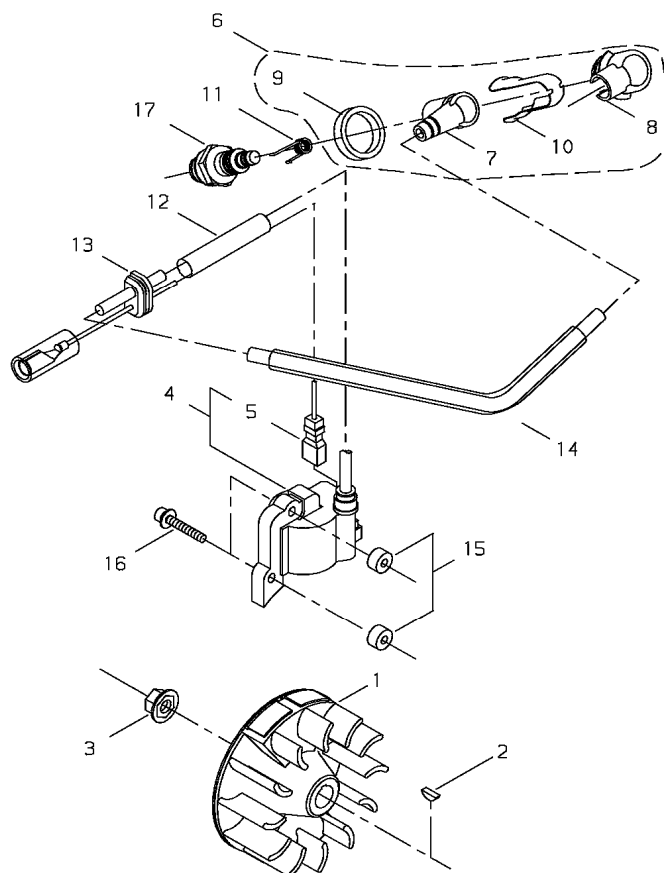
KEY	LV	PART NUMBER	Q'TY	DESCRIPTION	REMARKS	NOTE1	NOTE2
27		20018-31430	1	REAR CUSHION			
28		11023-05250	1	BOLT SW		M5x25	
30		70135-31470	1	CAP			
31		11022-05160	4	BOLT SPW		M5x20	
32		65022-91310	1	LABEL TRADE			
33		19402-00228	1	LABEL CAUTION			
34		19404-00051	1	LABEL DECIBEL		111dB(A)	

## 3. CRANKSHAFT



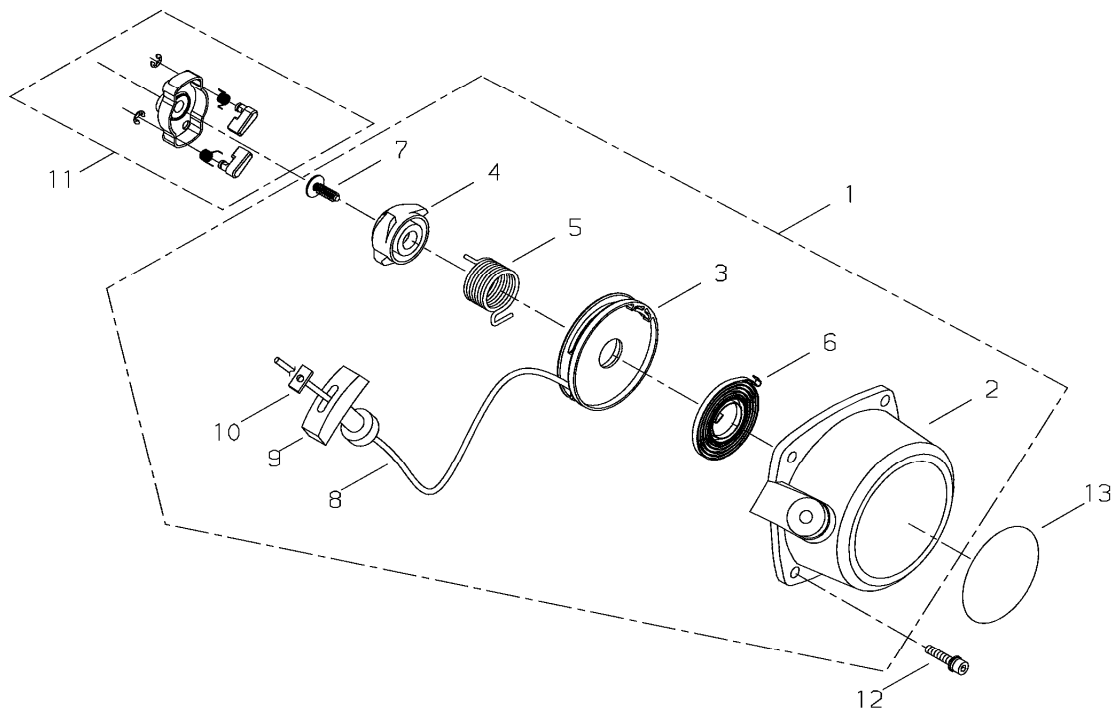
KEY	LV	PART NUMBER	Q'TY	DESCRIPTION	REMARKS	NOTE1	NOTE2
1	•	20075-41111	1	PISTON			
2	•	20000-41210	2	PISTON RING			
3	•	20075-41310	1	PISTON PIN			
4	•	70030-41320	2	RING,END			
5	•	37013-41230	1	NEEDLE BEARING			
6	•	37013-41240	2	THRUST WASHER			
7		20016-42002	1	CRANK SHAFT ASSY			
8		70140-51102	1	CLUTCH SHOE ASSY			
9	•	70140-51113	2	CLUTCH SHOE			
10	•	37013-51310	1	COIL SPRING			
11	•	20087-51210	2	BOLT			
12	•	20087-51231	2	SPRING PLATE			
13	•	22100-71430	2	WASHER			
14	•	20016-12120	1	GASKET			
15		70234-98011	1	PISTON SET			
16		70234-98310	1	PISTON SET			

## 4. MAGNETO



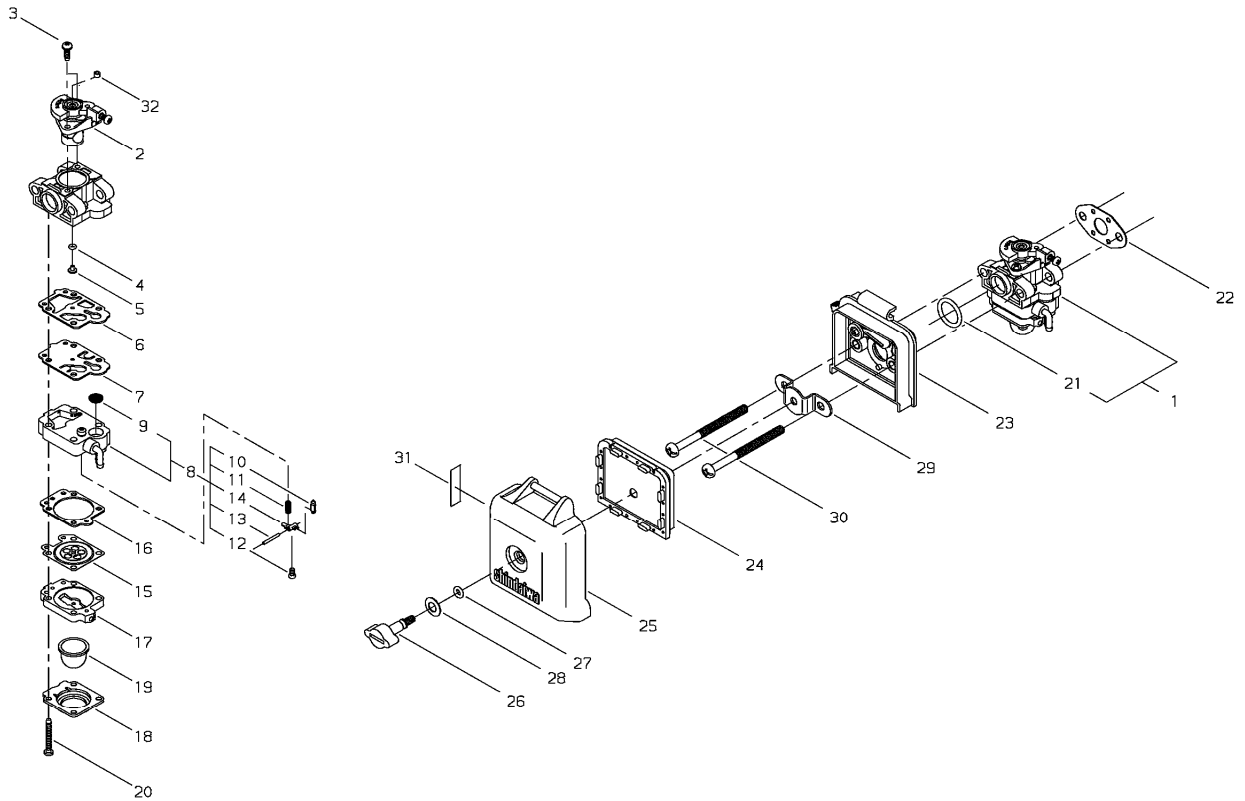
KEY	LV	PART NUMBER	Q'TY	DESCRIPTION	REMARKS	NOTE1	NOTE2
1		20016-71200	1	ROTOR			
2		02403-03100	1	KEY	3*10		
3		20035-71220	1	NUT			
4		20016-71601	1	COIL ASSY			
5		20016-71641	1	CORD			
6		70223-72200	1	PLUG CAP COMP			
7		20010-72221	1	PLUG CAP			
8		20000-72241	1	PLUG CAP COVER			
9		20000-72250	1	COVER BAND			
10		70180-72260	1	SHIELD			
11		20000-72230	1	SPRING SPARK PLUG			
12		20016-71651	1	TUBE		L50	
13		20010-72110	1	GROMMET			
14		20016-71660	1	TUBE		L125	
15		70030-71620	2	INSULATOR			
16		11024-04261	2	BOLT		M4x26	
17		13000-13406	1	SPARK PLUG BMR6A		BMR6A	

## 5. RECOIL STARTER



KEY	LV	PART NUMBER	Q'TY	DESCRIPTION	REMARKS	NOTE1	NOTE2
1		37076-75010	1	RECOIL STARTER ASSY			
2	•	37076-75110	1	STARTER CASE			
3	•	37076-75120	1	REEL			
4	•	37076-75310	1	CAM			
5	•	37076-75320	1	COIL SPRING			
6	•	70030-75130	1	RECOIL SPRING			
7	•	37013-75310	1	SCREW			
8	•	37076-75140	1	ROPE			
9	•	20010-75190	1	STARTER KNOB			
10	•	20010-75210	1	STOPPER			
11		62110-75020	1	STARTER PULLEY ASSY			
12		11060-04122	4	BOLT ADHESIVE		M4x12	
13		70117-75311	1	NAME PLATE			

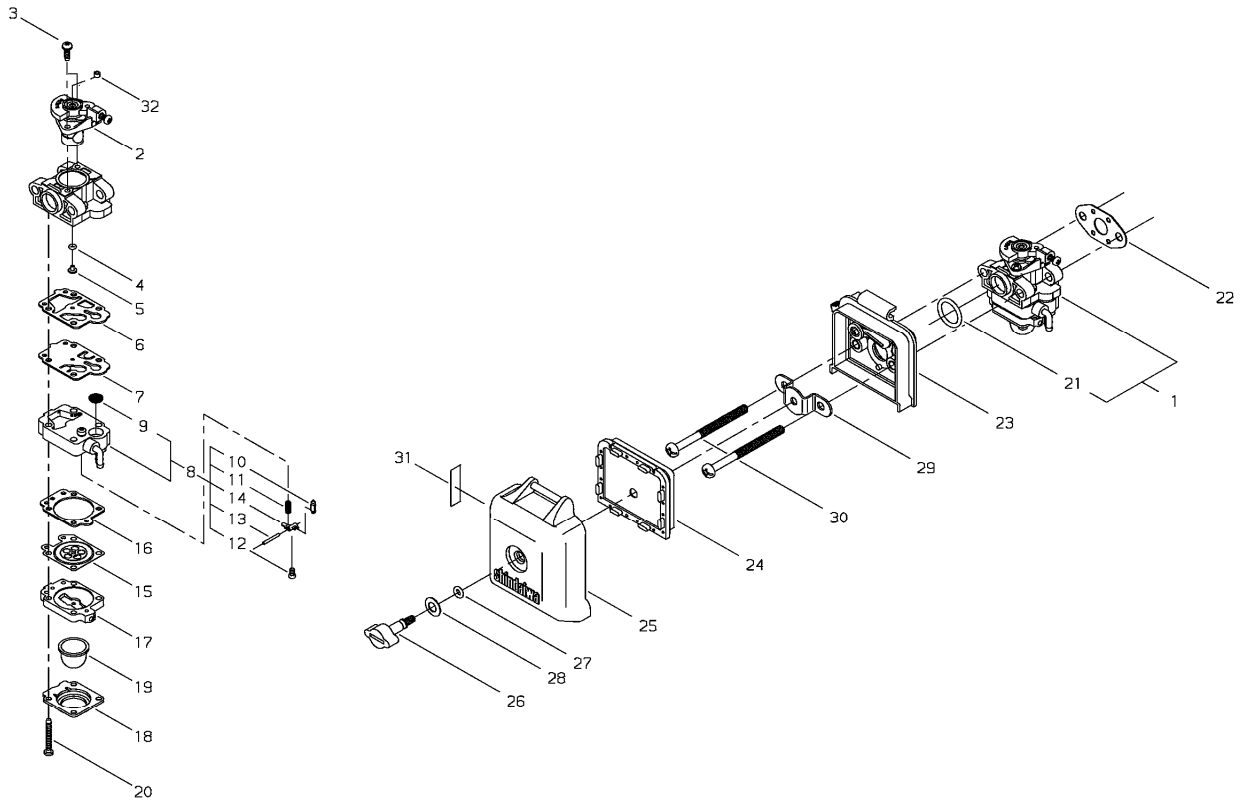
## 6. CARBURETOR, AIR CLEANER



KEY	LV	PART NUMBER	Q'TY	DESCRIPTION	REMARKS	NOTE1	NOTE2
1		62064-81011	1	CARBURETOR ASSY			
2	▪	20016-81180	1	VALVE ASSY			
3	▪	70064-81290	2	SCREW	M3*10		
4	▪	70097-81220	1	O-RING			
5	▪	62064-81310	1	MAIN JET			
6	▪	70097-81310	1	GASKET, PUMP			
7	▪	70097-81320	1	DIAPHRAGM			
8	▪	20016-81410	1	PUMP BODY COMP			
9	▪ ▪	70030-81380	1	SCREEN			
10	▪ ▪	20036-81440	1	VALVE			
11	▪ ▪	20016-81270	1	SPRING			
12	▪ ▪	20016-81450	1	SCREW			
13	▪ ▪	22100-81250	1	PIN			
14	▪ ▪	22100-81230	1	LEVER, METERING			
15	▪	37013-81310	1	DIAPHRAGM			
16	▪	20016-81280	1	GASKET			
17	▪	20016-81420	1	PUMP BASE COMP			
18	▪	20016-81510	1	PUMP COVER			
19	▪	20036-81670	1	PRIMER PUMP			
20	▪	20016-81140	4	SCREW			
21	▪	20016-81250	1	O RING			
22		20016-81530	1	GASKET			
23		70140-81710	1	CLEANER BODY COMP			
24		60023-98031	1	FILTER			
25		70140-81760	1	CLEANER COVER			
26		20115-81780	1	KNOB CLEANER COVER			

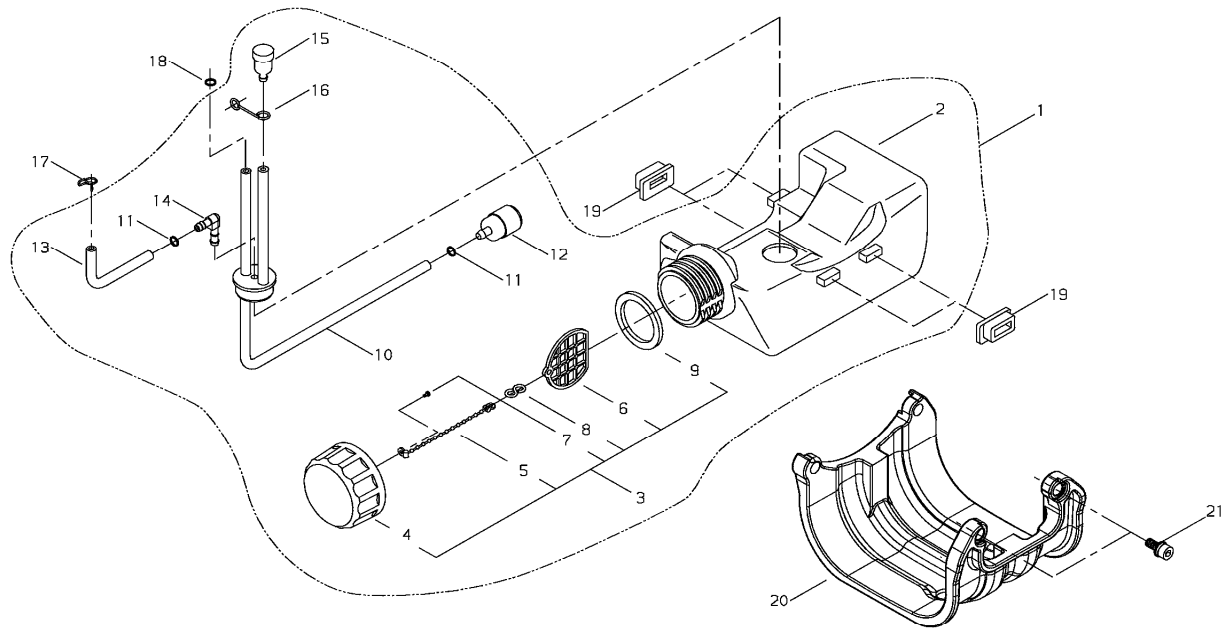


6. CARBURETOR, AIR CLEANER



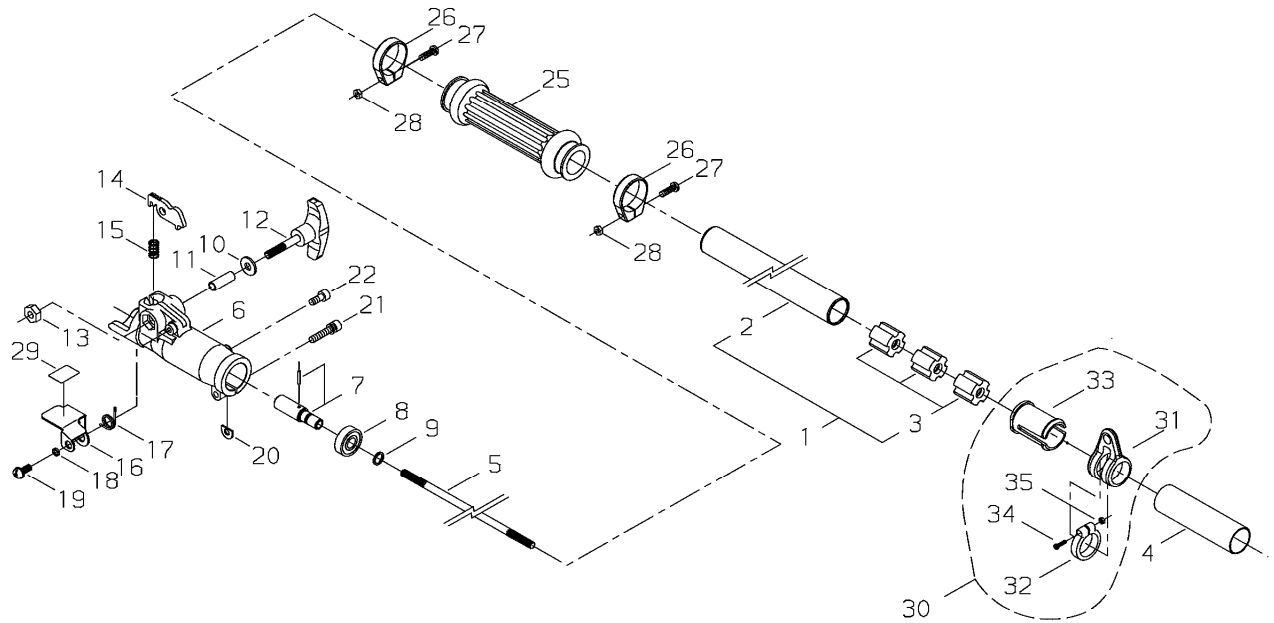
KEY	LV	PART NUMBER	Q'TY	DESCRIPTION	REMARKS	NOTE1	NOTE2
27		22100-82430	1	O RING			
28		20024-81790	1	CONE WASHER			
29		20018-81721	1	BACK PLATE			
30		11203-05608	2	SCREW PM SW		M5x60	
31		19404-00008	1	LABEL CHOKE			
32		62074-81320	1	PLAG			

## 7. FUEL TANK



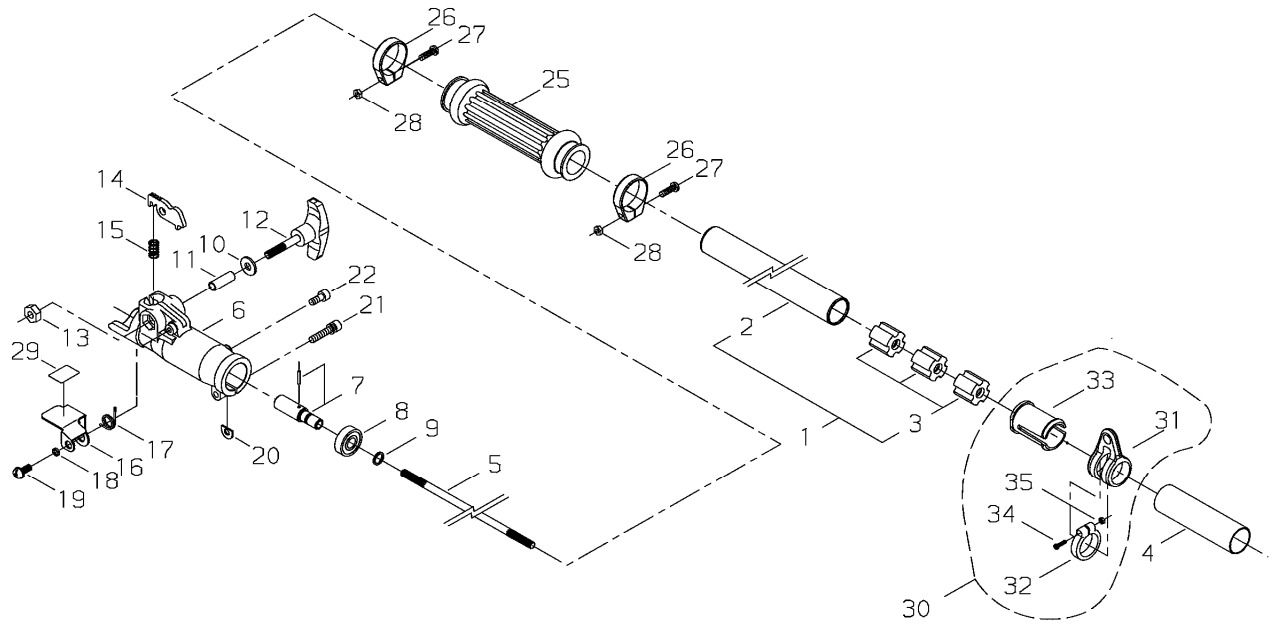
KEY	LV	PART NUMBER	Q'TY	DESCRIPTION	REMARKS	NOTE1	NOTE2
1		70192-85001	1	FUEL TANK ASSY			
2	▪	20016-85112	1	FUEL TANK			
3	▪	70168-85201	1	FUEL CAP ASSY			
4	▪▪	70168-85210	1	FUEL CAP			
5	▪▪	22128-57250	1	CHAIN CAP			
6	▪▪	22155-21330	1	HOOK			
7	▪▪	01270-25064	1	SCREW TAPPING			
8	▪▪	22150-21350	1	CLIP			
9	▪▪	20000-85221	1	GASKET			
10	▪	20016-85310	1	FUEL PIPE			
11	▪	20020-85540	2	CLIP			
12	▪	20016-85400	1	FUEL FILTER			
13	▪	20089-83311	1	PIPE			
14	▪	20087-85340	1	JOINT,PIPE			
15	▪	20035-85522	1	VALVE			
16	▪	20016-12310	1	VALVE HOLDER			
17		37013-85310	1	CLIP			
18		20020-85540	1	CLIP			
19		20024-86120	4	TANK CUSHION			
20		62902-85320	1	TANK GUARD			
21		11022-05160	2	BOLT SPW		M5x16	

## 8. OUTER PIPE



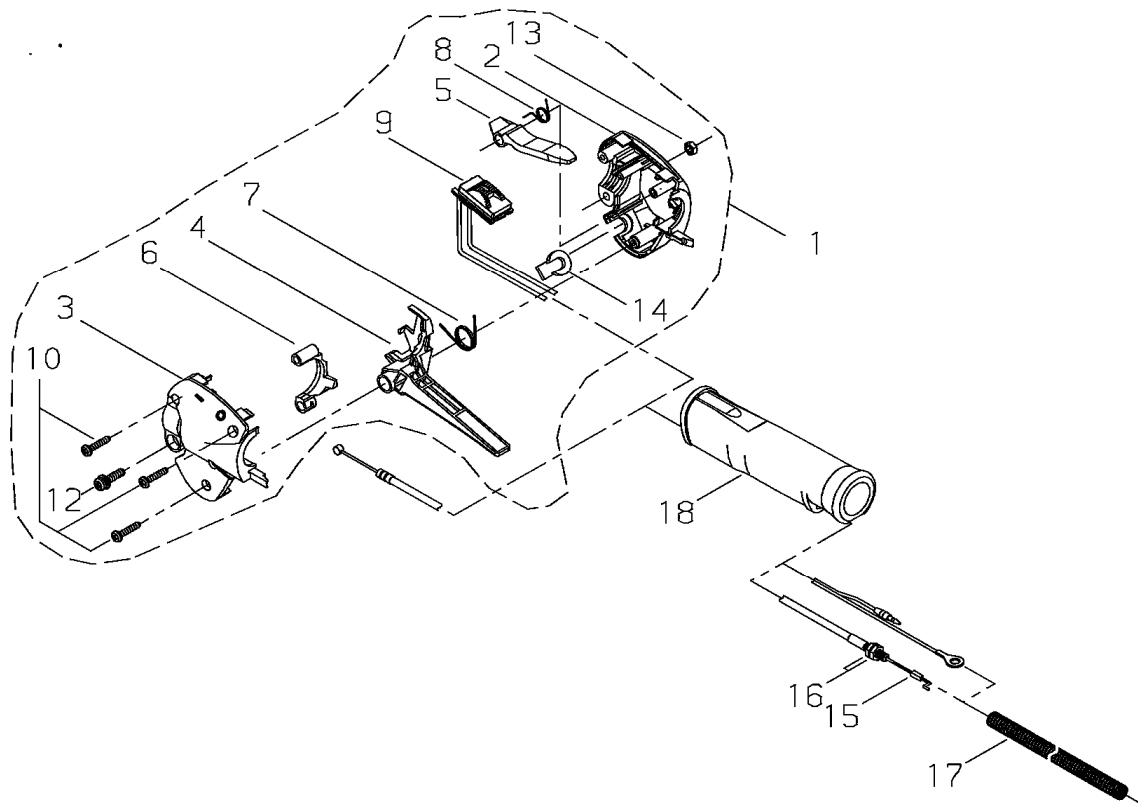
KEY	LV	PART NUMBER	Q'TY	DESCRIPTION	REMARKS	NOTE1	NOTE2
1		65005-62010	1	OUTER PIPE COMP			
2	•	63880-64320	1	OUTER PIPE		L745	
3	•	22035-12121	3	BUSH			
4		65006-62310	1	PROTECTOR			
5		63880-64340	1	MAIN SHAFT			
6		37000-62220	1	JOINT CASE			
7		63880-64360	1	JOINT SHAFT			
8		02002-00609	1	BEARING			
9		22420-13350	1	SNAP RING			
10		72030-14130	1	WASHER			
11		17901-06220	1	COLLAR			
12		63880-64380	1	KNOB			
13		63880-64410	1	NUT			
14		37000-62310	1	LOCK LEVER			
15		17500-06001	1	COIL SPRING			
16		37000-62340	1	COVER			
17		17520-12400	1	COIL SPRING			
18		15401-00004	1	COLLAR			
19		11207-05120	1	SCREW PM SLPW		M 5 × 1 2	
20		22000-13420	1	SHIM			
21		11023-05250	1	BOLT SW		M 5 × 2 5	
22		01020-05120	1	BOLT	M5*12	M 5 × 1 2	
25		37017-62132	1	GRIP			
26		37142-62320	2	CLAMP			
27		11203-04161	2	SCREW PM			
28		22015-14390	2	NYLON NUT			

8. OUTER PIPE



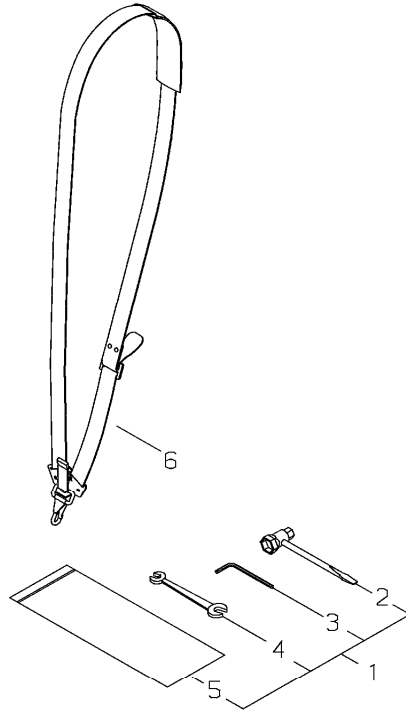
KEY	LV	PART NUMBER	Q'TY	DESCRIPTION	REMARKS	NOTE1	NOTE2
29		19401-00168	1	LABEL INST			
30		33008-62340	1	HANGER ASSY		B2200-2	
31	•	33008-62151	1	HANGER		B2200-2 SPC,PA6	
32	•	33008-62311	1	CLAMP		B2200-2 PA6	
33	•	33008-62321	1	COLLAR		B2200-2 PA6	
34	•	11203-04160	1	SCREW PM		M4x16	
35	•	01500-04031	1	NUT		M4 MFZN3-C	

## 9. THROTTLE LEVER



KEY	LV	PART NUMBER	Q'TY	DESCRIPTION	REMARKS	NOTE1	NOTE2
1		63076-62021	1	THROTTLE LEVER ASSY			
2	•	63002-62320	1	BODY RIGHT			
3	•	63002-62330	1	BODY LEFT			
4	•	63002-62340	1	LEVER			
5	•	63901-62352	1	LOCK LEVER			
6	•	63002-62350	1	HOLDER			
7	•	63880-65350	1	COIL SPRING			
8	•	63901-62370	1	COIL SPRING			
9	•	63076-62310	1	SWITCH			
10	•	63880-65360	3	SCREW TAPPING			
12	•	11206-05201	1	SCREW PM SPW			
13	•	01501-05030	1	NUT	M5		
14	•	63880-65411	1	PLUG			
15		63002-62170	1	THROTTLE CABLE			
16		01501-06041	2	NUT	M6		
17		22422-14540	1	TUBE			
18		63901-62142	1	GRIP			

## 10. STRAP, TOOL



KEY	LV	PART NUMBER	Q'TY	DESCRIPTION	REMARKS	NOTE1	NOTE2
1		78700-92010	1	TOOL SET			
2	•	22102-91410	1	PLUG WRENCH		10x19	
3	•	09026-04001	1	HEXA WRENCH	4MM M5㉿	4mm	
4	•	22000-91120	1	SPANNER		8x10	
5	•	19639-01100	1	POLY BAG		115x175x t0.04	
6		22421-17202	1	STRAP ASSY			

**Index**

<b>Patrs Number</b>	<b>Key No.</b>	<b>Patrs Number</b>	<b>Key No.</b>	<b>Patrs Number</b>	<b>Key No.</b>
01020-05120	1 - 12	20010-72221	4 - 7	20075-41310	3 - 3
01020-05120	8 - 22	20010-75190	5 - 9	20087-31210	2 - 15
01020-05250	1 - 3	20010-75210	5 - 10	20087-51210	3 - 11
01020-05250	2 - 10	20016-12120	1 - 2	20087-51231	3 - 12
01020-05500	1 - 10	20016-12120	3 - 14	20087-85340	7 - 14
01270-25064	7 - 7	20016-12213	1 - 4	20089-83311	7 - 13
01500-04031	8 - 35	20016-12222	1 - 5	20115-81780	6 - 26
01501-05030	9 - 13	20016-12310	7 - 16	22000-13320	2 - 16
01501-06041	9 - 16	20016-15123	1 - 9	22000-13420	8 - 20
01610-05080	1 - 11	20016-21100	2 - 1	22000-91120	10 - 4
02002-00609	8 - 8	20016-21111	2 - 2	22015-14390	8 - 28
02002-06000	2 - 13	20016-21120	2 - 6	22035-12121	8 - 3
02403-03100	4 - 2	20016-21200	2 - 5	22100-71430	3 - 13
02432-26120	2 - 14	20016-42002	3 - 7	22100-81230	6 - 14
09026-04001	10 - 3	20016-71200	4 - 1	22100-81250	6 - 13
11022-05160	2 - 18	20016-71601	4 - 4	22100-82430	6 - 27
11022-05160	2 - 31	20016-71641	4 - 5	22102-91410	10 - 2
11022-05160	7 - 21	20016-71651	4 - 12	22128-57250	7 - 5
11022-05300	1 - 7	20016-71660	4 - 14	22150-21250	2 - 4
11022-05450	2 - 19	20016-81140	6 - 20	22150-21350	7 - 8
11023-05250	2 - 28	20016-81180	6 - 2	22155-21330	7 - 6
11023-05250	8 - 21	20016-81250	6 - 21	22420-13350	8 - 9
11024-04261	4 - 16	20016-81270	6 - 11	22421-17202	10 - 6
11060-04122	5 - 12	20016-81280	6 - 16	22422-14540	9 - 17
11203-04160	8 - 34	20016-81410	6 - 8	33008-62151	8 - 31
11203-04161	8 - 27	20016-81420	6 - 17	33008-62311	8 - 32
11203-05608	6 - 30	20016-81450	6 - 12	33008-62321	8 - 33
11206-05201	9 - 12	20016-81510	6 - 18	33008-62340	8 - 30
11207-05120	8 - 19	20016-81530	6 - 22	37000-62220	8 - 6
12492-40080	2 - 9	20016-85112	7 - 2	37000-62310	8 - 14
12900-60010	2 - 3	20016-85310	7 - 10	37000-62340	8 - 16
12900-60010	2 - 7	20016-85400	7 - 12	37013-41230	3 - 5
13000-13406	4 - 17	20018-31251	2 - 21	37013-41240	3 - 6
15401-00004	8 - 18	20018-31260	2 - 22	37013-51310	3 - 10
17500-06001	8 - 15	20018-31270	2 - 23	37013-75310	5 - 7
17520-12400	8 - 17	20018-31411	2 - 25	37013-81310	6 - 15
17901-06220	8 - 11	20018-31420	2 - 26	37013-85310	7 - 17
19401-00168	8 - 29	20018-31430	2 - 27	37017-62132	8 - 25
19402-00228	2 - 33	20018-81721	6 - 29	37076-75010	5 - 1
19404-00008	6 - 31	20020-85540	7 - 11	37076-75110	5 - 2
19404-00051	2 - 34	20020-85540	7 - 18	37076-75120	5 - 3
19639-01100	10 - 5	20024-81790	2 - 24	37076-75140	5 - 8
20000-21211	2 - 8	20024-81790	6 - 28	37076-75310	5 - 4
20000-41210	3 - 2	20024-86120	7 - 19	37076-75320	5 - 5
20000-72230	4 - 11	20035-71220	4 - 3	37142-62320	8 - 26
20000-72241	4 - 8	20035-85522	7 - 15	60023-98031	6 - 24
20000-72250	4 - 9	20036-81440	6 - 10	62010-31011	2 - 11
20000-85221	7 - 9	20036-81670	6 - 19	62064-81011	6 - 1
20010-72110	4 - 13	20075-41111	3 - 1	62064-81310	6 - 5

**Index**

<b>Patrs Number</b>	<b>Key No.</b>	<b>Patrs Number</b>	<b>Key No.</b>	<b>Patrs Number</b>	<b>Key No.</b>
62074-81320	6 - 32	70234-98310	3 - 16		
62110-75020	5 - 11	72030-14130	8 - 10		
62809-12111	1 - 1	78700-92010	10 - 1		
62902-85320	7 - 20				
63002-62170	9 - 15				
63002-62320	9 - 2				
63002-62330	9 - 3				
63002-62340	9 - 4				
63002-62350	9 - 6				
63076-62021	9 - 1				
63076-62310	9 - 9				
63880-64320	8 - 2				
63880-64340	8 - 5				
63880-64360	8 - 7				
63880-64380	8 - 12				
63880-64410	8 - 13				
63880-65350	9 - 7				
63880-65360	9 - 10				
63880-65411	9 - 14				
63901-62142	9 - 18				
63901-62352	9 - 5				
63901-62370	9 - 8				
65005-62010	8 - 1				
65006-62310	8 - 4				
65022-91310	2 - 32				
70030-41320	3 - 4				
70030-71620	4 - 15				
70030-75130	5 - 6				
70030-81380	6 - 9				
70064-81290	6 - 3				
70097-81220	6 - 4				
70097-81310	6 - 6				
70097-81320	6 - 7				
70117-75311	5 - 13				
70135-15110	1 - 8				
70135-31470	2 - 30				
70140-31113	2 - 12				
70140-31130	2 - 17				
70140-32111	2 - 20				
70140-51102	3 - 8				
70140-51113	3 - 9				
70140-81710	6 - 23				
70140-81760	6 - 25				
70168-85201	7 - 3				
70168-85210	7 - 4				
70180-72260	4 - 10				
70192-85001	7 - 1				
70223-72200	4 - 6				
70234-98011	3 - 15				



# YAMABIKO CORPORATION

7-2 SUEHIROCHO 1-CHOME, OHME, TOKYO 198-8760, JAPAN  
PHONE: 81-428-32-6118. FAX: 81-428-32-6145.

**shindaiwa<sup>®</sup>**



EC1  
No.