

shindaiwa[®]

PARTS CATALOG

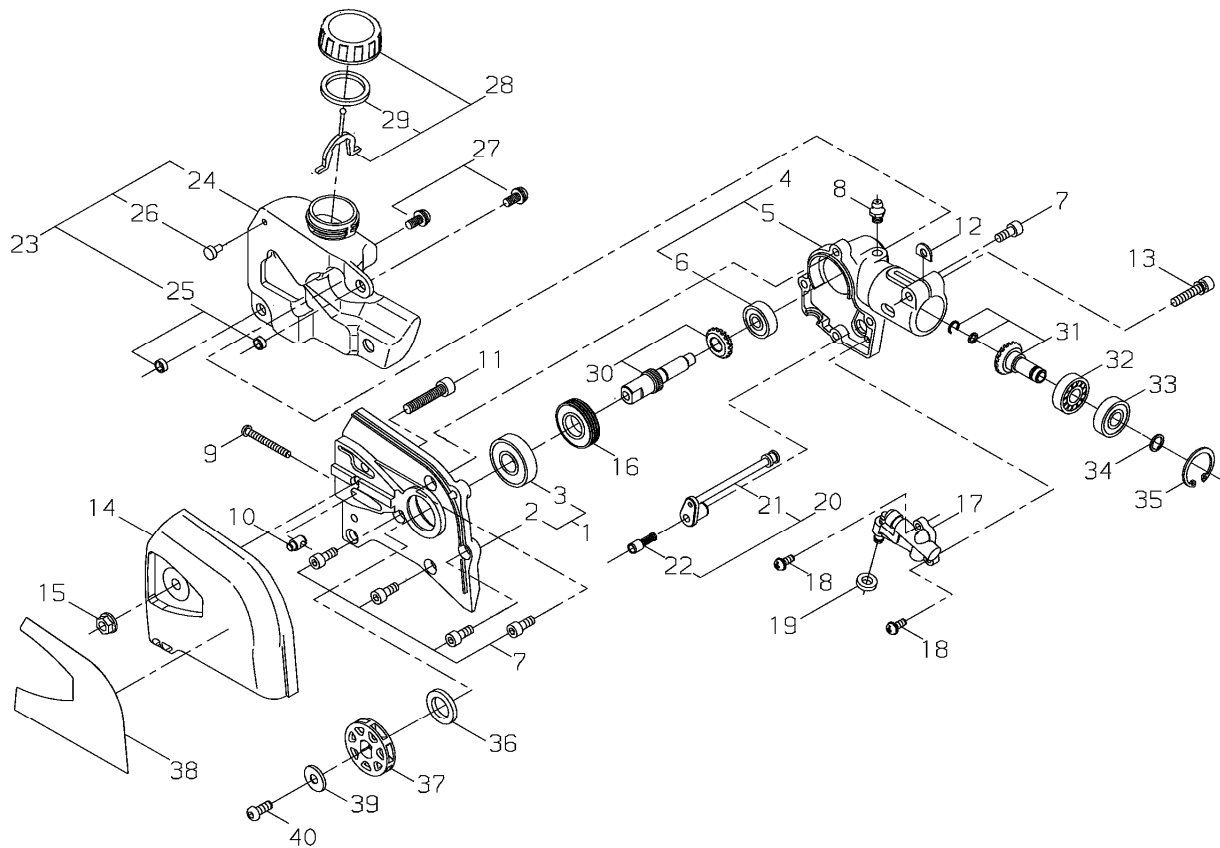
MULTI-TOOL SYSTEM

ATT-P230 CE



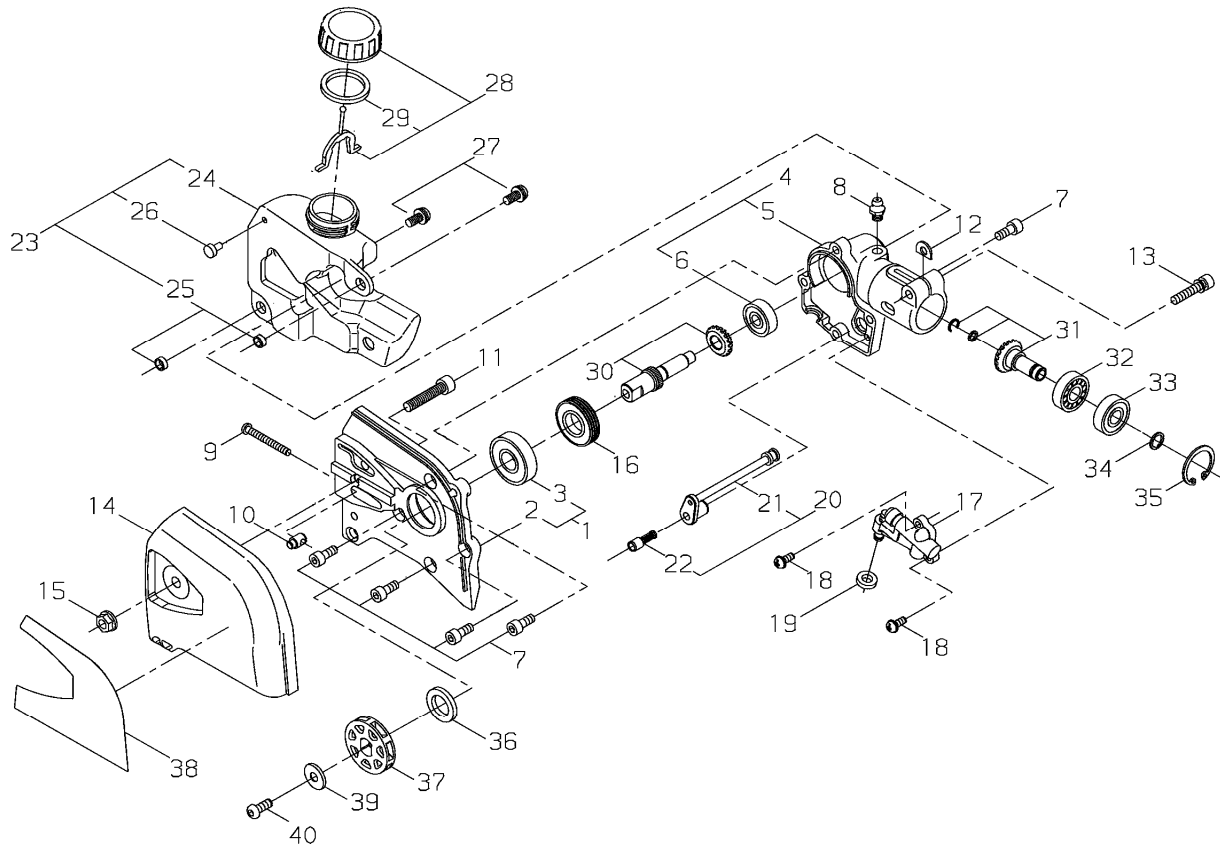
ATT-P230 CE

1. GEAR CASE



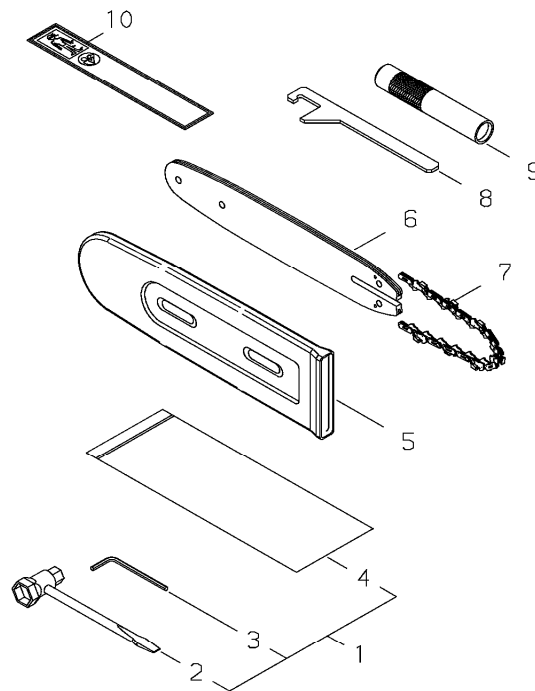
KEY	LV	PART NUMBER	Q'TY	DESCRIPTION	REMARKS	NOTE1	NOTE2
1		63880-61312	1	GEAR CASE LEFT COMP			
2	▪	63880-61322	1	GEAR CASE LEFT			
3	▪	02006-06001	1	BEARING	6001DDU	6001DDU	
4		63880-61332	1	GEAR CASE RIGHT COMP			
5	▪	63880-61342	1	GEAR CASE RIGHT			
6	▪	02002-00627	1	BEARING		627ZZ	
7		01020-05120	5	BOLT	M5*12	M5X12	
8		20870-61640	1	GREASE NIPPLE			
9		11260-04351	1	SCREW ADHESIVE		M4X35	
10		17110-04000	1	SLIDE PIECE			
11		01020-06300	1	BOLT		M6X30	
12		22000-13420	1	SHIM			
13		11023-05250	1	BOLT SW		M5X25	
14		63880-61350	1	BAR HOLDER			
15		11526-06100	1	NUT FLANGE		M6	
16		63880-62310	1	WORM GEAR			
17		22197-55201	1	OIL PUMP ASSY			
18		11205-04100	2	SCREW PM PW		M4X10	
19		63880-62320	1	GASKET PUMP			
20		63880-62330	1	OIL PIPE ASSY			
21	▪	63880-62340	1	OIL PIPE			
22	▪	63880-62350	1	FILTER			
23		63880-62361	1	OIL TANK ASSY			
24	▪	63880-62381	1	OIL TANK			
25	▪	17901-06030	2	COLLAR			
26	▪	22115-57120	1	VALVE OIL TANK			

1. GEAR CASE



KEY	LV	PART NUMBER	Q'TY	DESCRIPTION	REMARKS	NOTE1	NOTE2
27		11207-05120	2	SCREW PM SLPW		M5X12	
28		63880-62391	1	OIL CAP ASSY			
29		70030-85221	1	GASKET CAP			
30		63880-63011	1	GEAR SHAFT			
31		63880-63020	1	BEVEL PINION			
32		02000-00609	1	BEARING		609	
33		02002-00609	1	BEARING		609ZZ	
34		22420-13350	1	SNAP RING			
35		02432-24120	1	SNAP RING			
36		15401-21020	1	COLLAR			
37		12032-07102	1	SPROCKET			
38		19402-00180	1	LABEL CAUTION			
39		20870-62131	1	WASHER			
40		11210-06140	1	SCREW BUTTON		M6X14	

2. PROTECTOR, TOOL, LABEL



KEY	LV	PART NUMBER	Q'TY	DESCRIPTION	REMARKS	NOTE1	NOTE2
1		78701-92010	1	TOOL KIT			
2	•	22102-91410	1	PLUG WRENCH		10x19	
3	•	09026-04001	1	HEXA WRENCH	4MM M5㉿	4mm	
4	•	19639-01100	1	POLY BAG			
5		19600-24300	1	CHAIN COVER			
6		18130-00800	1	GUIDE BAR		90SG	
6		18130-01000	1	GUIDE BAR		90SG	
6		18130-01200	1	GUIDE BAR		90SG	
7		18201-00330	1	SAW CHAIN 90SG-33E		90SG-33E	
7		18201-00390	1	SAW CHAIN 90SG-39E		90SG-39E	
7		18201-00440	1	SAW CHAIN 90SG-44E		90SG-44E	
8		60880-98030	1	HOOK SPANNER			
9		22420-96311	1	ROD			
10		19402-00225	1	LABEL CAUTION			
11		7870294010	1	MANUAL			
12		7870295010	1	PACKAGE			

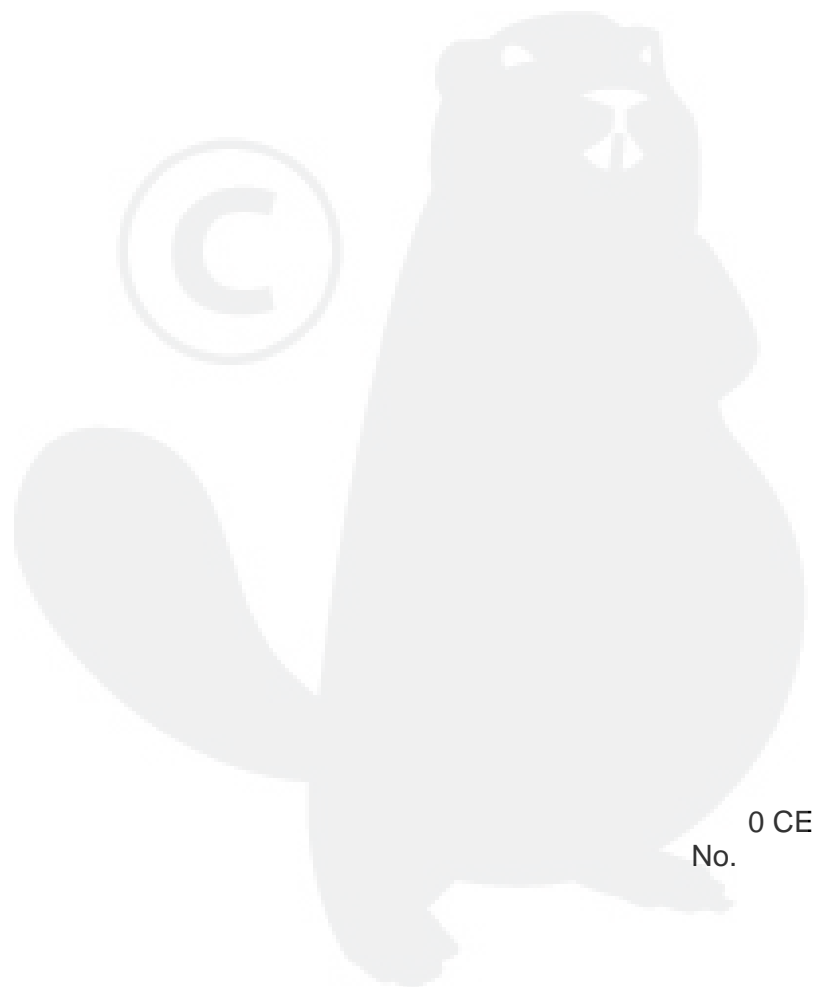
Index

Patrs Number	Key No.	Patrs Number	Key No.	Patrs Number	Key No.
01020-05120	1 - 7	63880-62391	1 - 28		
01020-06300	1 - 11	63880-63011	1 - 30		
02000-00609	1 - 32	63880-63020	1 - 31		
02002-00609	1 - 33	70030-85221	1 - 29		
02002-00627	1 - 6	78701-92010	2 - 1		
02006-06001	1 - 3	7870294010	2 - 11		
02432-24120	1 - 35	7870295010	2 - 12		
09026-04001	2 - 3				
11023-05250	1 - 13				
11205-04100	1 - 18				
11207-05120	1 - 27				
11210-06140	1 - 40				
11260-04351	1 - 9				
11526-06100	1 - 15				
12032-07102	1 - 37				
15401-21020	1 - 36				
17110-04000	1 - 10				
17901-06030	1 - 25				
18130-00800	2 - 6				
18130-01000	2 - 6				
18130-01200	2 - 6				
18201-00330	2 - 7				
18201-00390	2 - 7				
18201-00440	2 - 7				
19402-00180	1 - 38				
19402-00225	2 - 10				
19600-24300	2 - 5				
19639-01100	2 - 4				
20870-61640	1 - 8				
20870-62131	1 - 39				
22000-13420	1 - 12				
22102-91410	2 - 2				
22115-57120	1 - 26				
22197-55201	1 - 17				
22420-13350	1 - 34				
22420-96311	2 - 9				
60880-98030	2 - 8				
63880-61312	1 - 1				
63880-61322	1 - 2				
63880-61332	1 - 4				
63880-61342	1 - 5				
63880-61350	1 - 14				
63880-62310	1 - 16				
63880-62320	1 - 19				
63880-62330	1 - 20				
63880-62340	1 - 21				
63880-62350	1 - 22				
63880-62361	1 - 23				
63880-62381	1 - 24				

YAMABIKO CORPORATION

7-2 SUEHIROCHO 1-CHOME, OHME, TOKYO 198-8760, JAPAN
PHONE: 81-428-32-6118. FAX: 81-428-32-6145.

shindaiwa[®]



0 CE
No.