

shindaiwa[®]

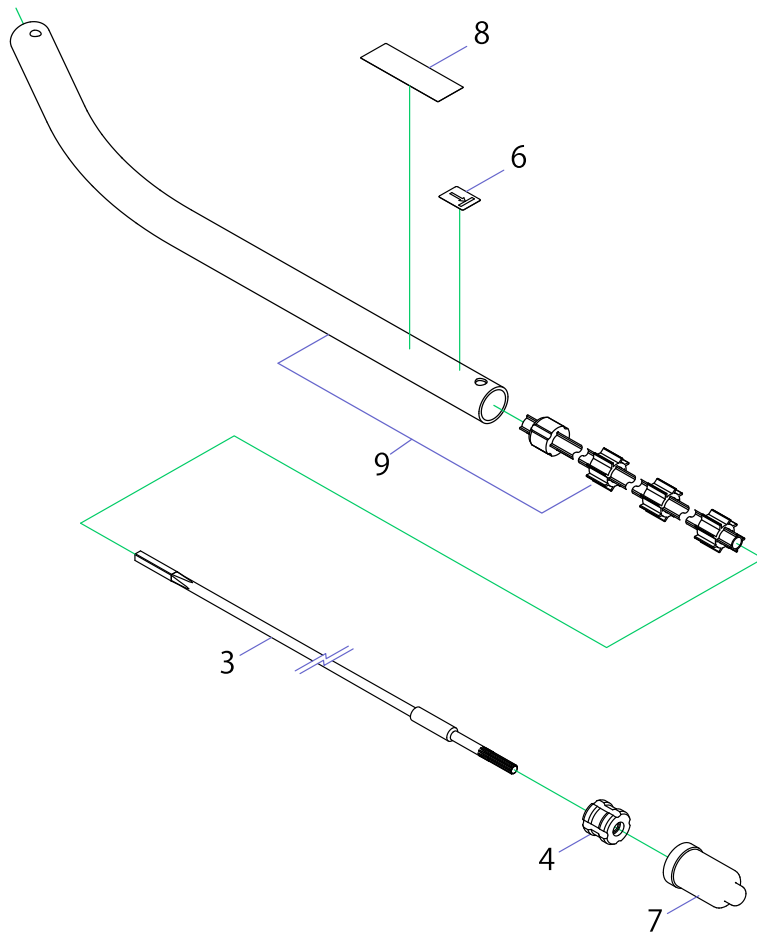
PARTS CATALOG

POWER EDGER SBA-LE24(35)

35000001 -

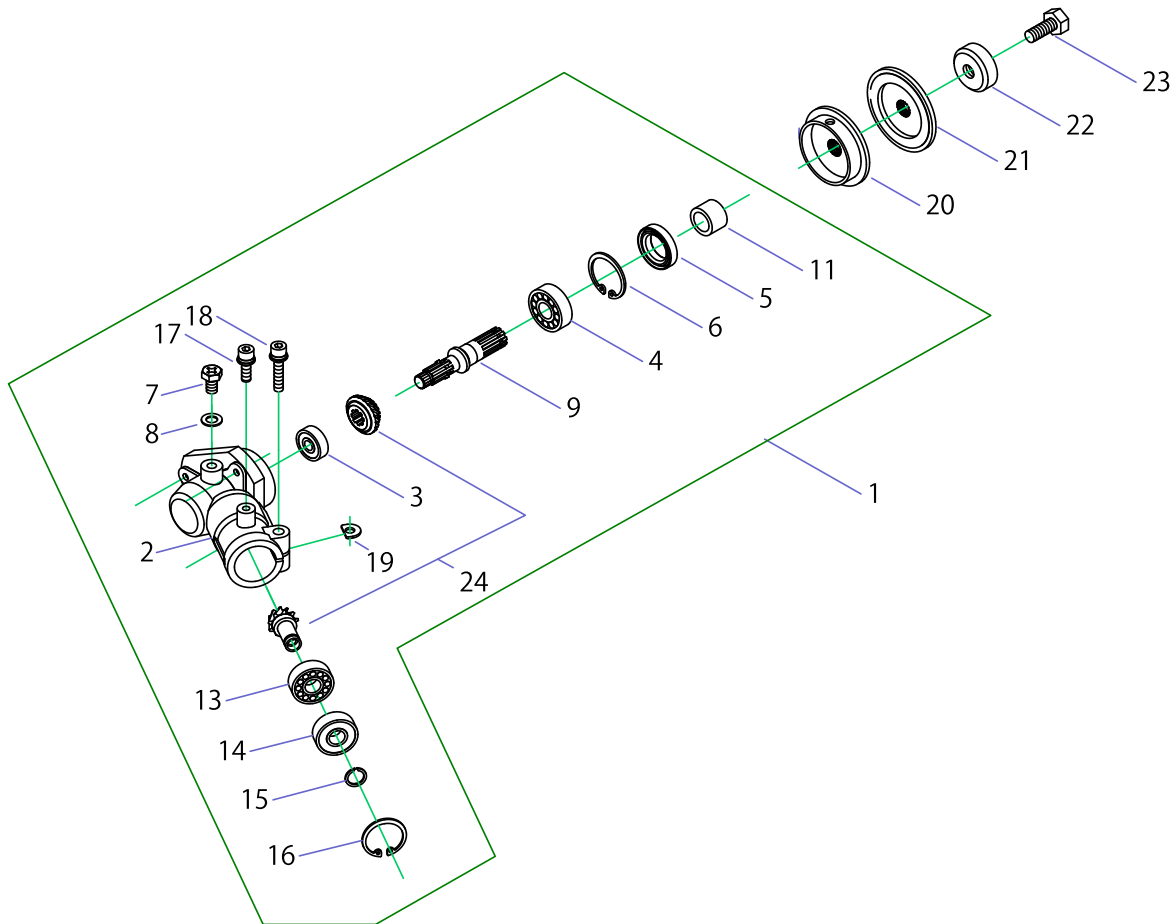
P016-000450-11Gb

1. MAIN PIPE



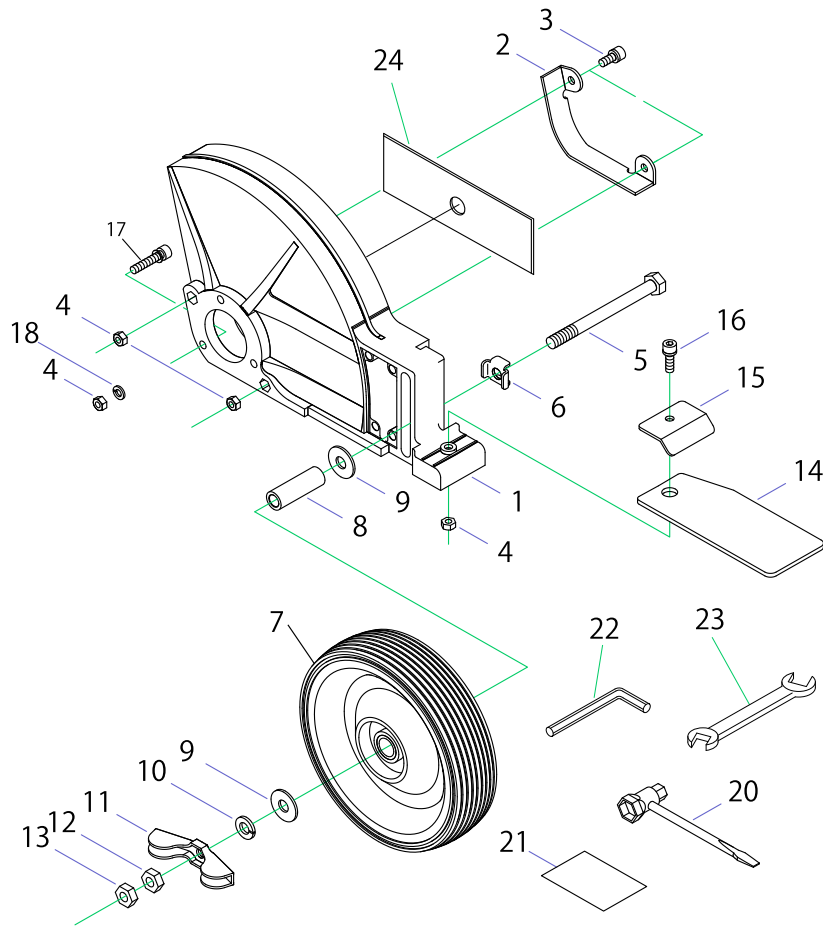
KEY	LV	PART NUMBER	Q'TY	DESCRIPTION	REMARKS	NOTE1	NOTE2
3		C506-000300	1	FLEXIBLE SHAFT			
4		C501-000140	1	BUSH			
6		X505-003460	1	LABEL INST			
7		C525-000050	1	CAP, MAIN PIPE			
8		890160-25560	1	LABEL, CAUTION			
9		C050-002050	1	OUTER PIPE COMP			

2. GEAR CASE



KEY	LV	PART NUMBER	Q'TY	DESCRIPTION	REMARKS	NOTE1	NOTE2
1		P021-033560	1	GEAR CASE SUB ASSY			
2	+	C531-000720	1	GEAR CASE			
3	+	94002-30608	1	BEARING, BALL	BB608 LLU,DDU		
4	+	900800-06001	1	BEARING, BALL 6001			
5	+	V510-000020	1	OIL SEAL			
6	+	92424-28000	1	SNAP RING			
7	+	91030-06010	1	BOLT			
8	+	900600-00006	1	WASHER 6	6		
9	+	C534-000690	1	GEAR SHAFT			
11	+	V356-000500	1	COLLAR			
13	+	900800-00609	1	BEARING, BALL 609	609		
14	+	900804-00609	1	BEARING, BALL 609	609ZZ		
15	+	900706-00009	1	CIRCLIP 9	WR-9		
16	+	92424-24000	1	SNAP RING			
17	+	V203-000590	1	BOLT SPW			
18	+	V203-000560	1	BOLT SW			
19	+	V340-000300	1	SHIM			
24	+	P021-038600	1	GEAR SET, BEVEL			
20		C535-000890	1	HOLDER A			
21		C535-000850	1	HOLDER			
22		C535-000860	1	BOLT GUARD			
23		V205-000480	1	BOLT,8			

3. BLADE COVER



KEY	LV	PART NUMBER	Q'TY	DESCRIPTION	REMARKS	NOTE1	NOTE2
1		C550-000460	1	GUARD			
2		C557-000100	1	PROTECTOR			
3		V203-000950	2	BOLT SW			
4		900500-00005	6	NUT 5	5		
5		900100-08090	1	BOLT 8*90	8*90		
6		V152-002400	1	LOCK PLATE			
7		C730-000050	1	WHEEL			
8		V355-000450	1	COLLAR			
9		V306-000300	2	COLLAR			
10		900605-00008	1	WASHER, SPRING 8	8		
11		V299-000440	1	KNOB			
12		900500-00008	1	NUT 8	8*P1.25		
13		V265-000340	1	LOCK NUT			
14		C550-000470	1	FLAP			
15		V152-002410	1	PLATE			
16		V203-000720	1	BOLT SW			
17		V203-000560	3	BOLT SW			
18		900605-00005	3	WASHER, SPRING 5	5		
20		X602-000150	1	PLUG WRENCH			
21		X750-019190	1	MANUAL, OPERATOR			
22		X605-000100	1	TOOL, L WRENCH	4MM M5		
23		895112-00330	1	SPANNER 8*10			
24		696015-52632	1	2-CUTTER BLADE QTY-2			

Index

Patrs Number	Key No.	Patrs Number	Key No.	Patrs Number	Key No.
696015-52632	3 - 24	X605-000100	3 - 22		
890160-25560	1 - 8	X750-019190	3 - 21		
895112-00330	3 - 23				
900100-08090	3 - 5				
900500-00005	3 - 4				
900500-00008	3 - 12				
900600-00006	2 - 8				
900605-00005	3 - 18				
900605-00008	3 - 10				
900706-00009	2 - 15				
900800-00609	2 - 13				
900800-06001	2 - 4				
900804-00609	2 - 14				
91030-06010	2 - 7				
92424-24000	2 - 16				
92424-28000	2 - 6				
94002-30608	2 - 3				
C050-002050	1 - 9				
C501-000140	1 - 4				
C506-000300	1 - 3				
C525-000050	1 - 7				
C531-000720	2 - 2				
C534-000690	2 - 9				
C535-000850	2 - 21				
C535-000860	2 - 22				
C535-000890	2 - 20				
C550-000460	3 - 1				
C550-000470	3 - 14				
C557-000100	3 - 2				
C730-000050	3 - 7				
P021-033560	2 - 1				
P021-038600	2 - 24				
V152-002400	3 - 6				
V152-002410	3 - 15				
V203-000560	2 - 18				
V203-000560	3 - 17				
V203-000590	2 - 17				
V203-000720	3 - 16				
V203-000950	3 - 3				
V205-000480	2 - 23				
V265-000340	3 - 13				
V299-000440	3 - 11				
V306-000300	3 - 9				
V340-000300	2 - 19				
V355-000450	3 - 8				
V356-000500	2 - 11				
V510-000020	2 - 5				
X505-003460	1 - 6				
X602-000150	3 - 20				

YAMABIKO CORPORATION

7-2 SUEHIROCHO 1-CHOME, OHME, TOKYO 198-8760, JAPAN
PHONE: 81-428-32-6118. FAX: 81-428-32-6145.

shindaiwa[®]



11Gb
No. 03-272