

# M262S

Serial Number

38000001-38999999

Last updated date

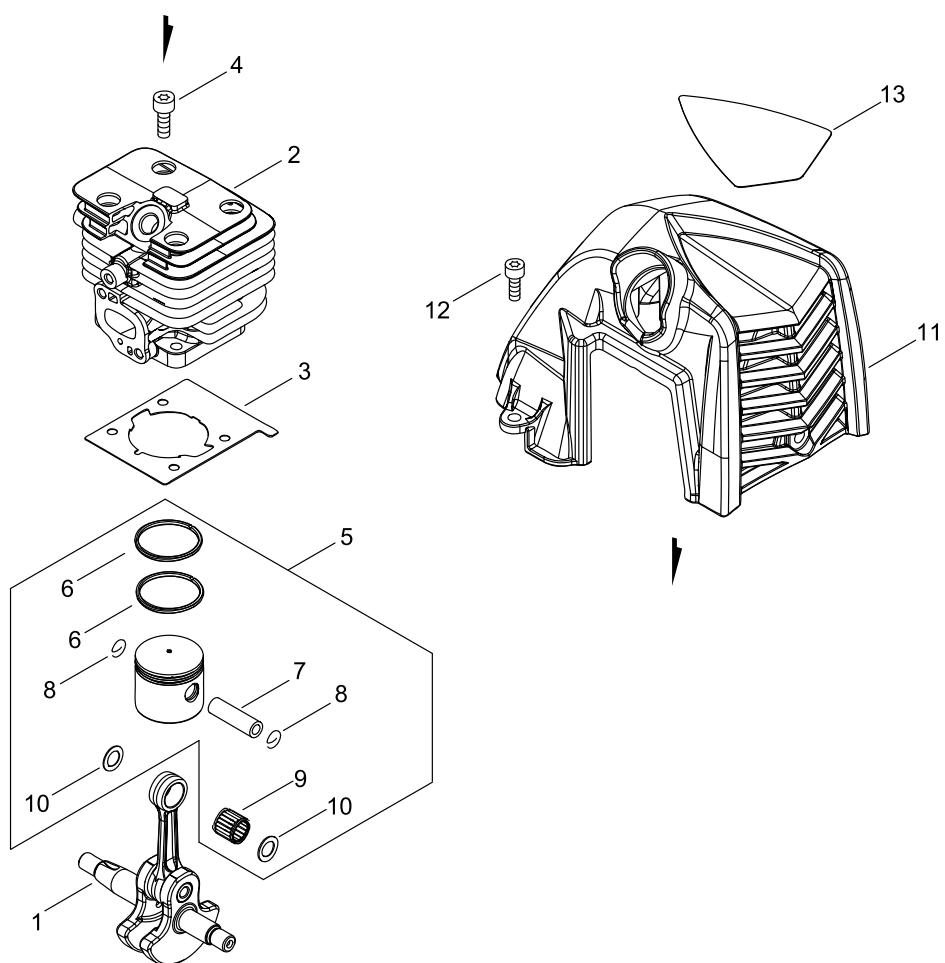
23/Feb/2021

## TABLE OF CONTENTS

---

CYLINDER, PISTON, CRANKSHAFT .....	1
CRANKCASE .....	3
MAGNETO.....	5
CLUTCH.....	7
AIR CLEANER, CARBURETOR.....	9
CARBURETOR.....	11
FUEL TANK .....	13
MUFFLER.....	15
RECOIL STARTER, PULLY .....	17
MAIN PIPE, HANDLE.....	19
THROTTLE.....	21
ACCESSORIES .....	23

## CYLINDER, PISTON, CRANKSHAFT



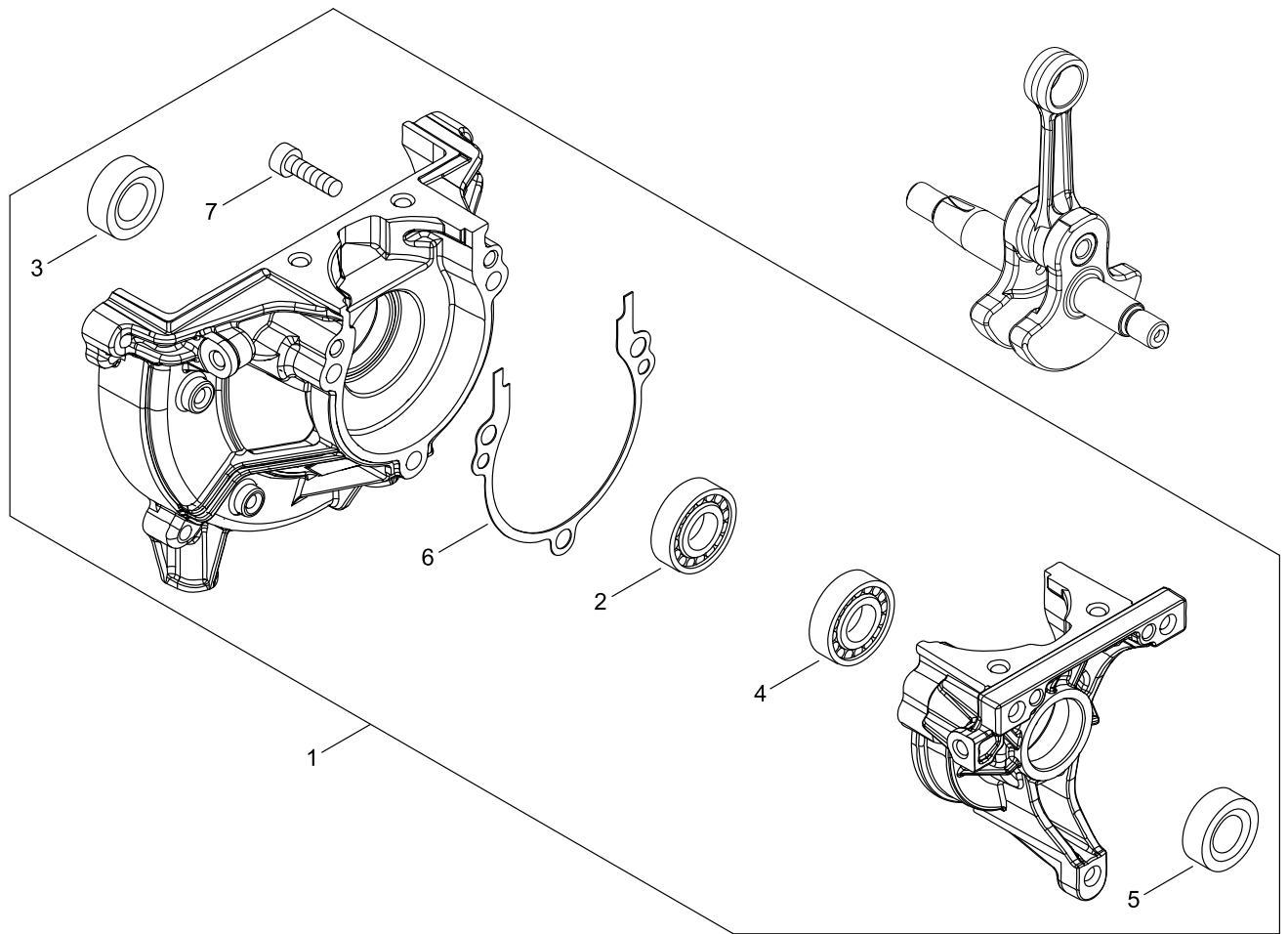
## CYLINDER, PISTON, CRANKSHAFT

Key No.	LV (+)	Parts Number	Parts Description	Qty	Standard	Class
1		A011-001460	CRANKSHAFT,ASY	1		D
2		A130-002330	CYLINDER	1		D
3		V100-000840	GASKET,CYL	1		B
4		V805-000210	BOLT, TORX 5	4	TB-5*20 12.9	C
5		P021-050840	PISTON KIT	1		
6	+	A101-000010	RING,PISTON	2		B
7	+	100013-35430	PIN, PISTON	1	6*9*27.8	D
8	+	100015-03931	CIRCLIP, PISTON PIN	2		C
9	+	V554-000020	BEARING,NEEDLE 9	1	KTV-91212EG14-B2	C
10	+	100014-53630	SPACER, PISTON PIN	2		C
11		A160-003290	COVER,CYLINDER	1		C
12		V835-000010	BOLT, TORX 5	2	TB-5*12 10.9	C
13		X562-001100	LABEL,SHINDAIWA	1	SHINDAIWA+M262S	D

Class : Consumable class

A:Fast moving parts B:Semi-fast moving parts C:Slow moving parts D:Order only as needed

# CRANKCASE



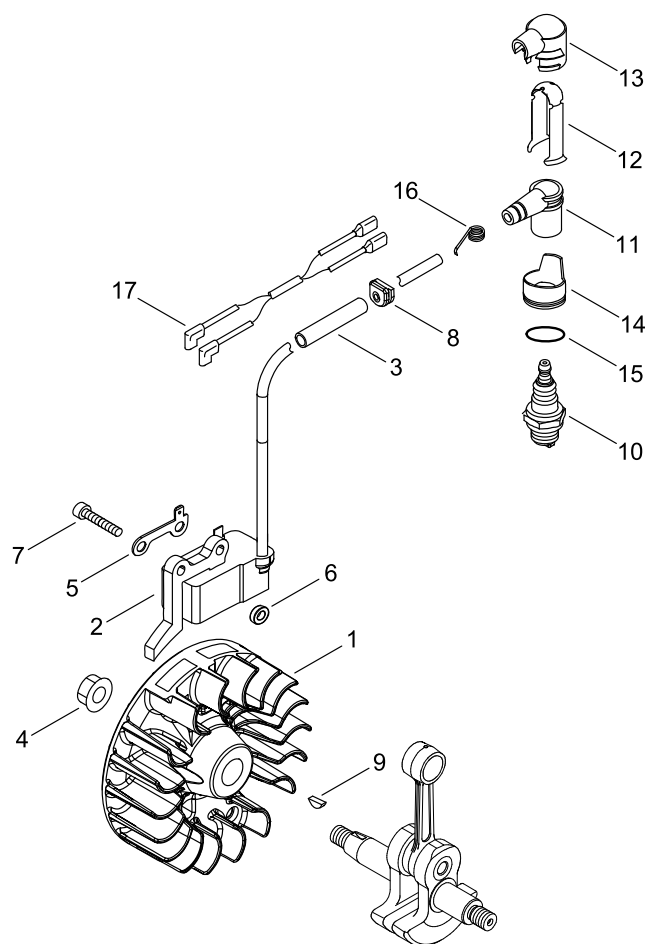
## CRANKCASE

Key No.	LV (+)	Parts Number	Parts Description	Qty	Standard	Class
1		P021-050850	CRANKCASE KIT	1		
2	+	900800-36001	BEARING, BALL	1	6001	
3	+	100212-42031	OILSEAL	1	ISCD 12*22*4.5	C
4	+	900810-36000	BEARING, BALL	1	6000	
5	+	V503-000040	SEAL,OIL 10	1	ISCD 10*20*5F	C
6	+	V102-000300	GASKET,CRANKCASE	1		B
7	+	V805-000220	BOLT, TORX 5	3	TB-5*25 12.9	C

Class : Consumable class

A:Fast moving parts B:Semi-fast moving parts C:Slow moving parts D:Order only as needed

## MAGNETO



## MAGNETO

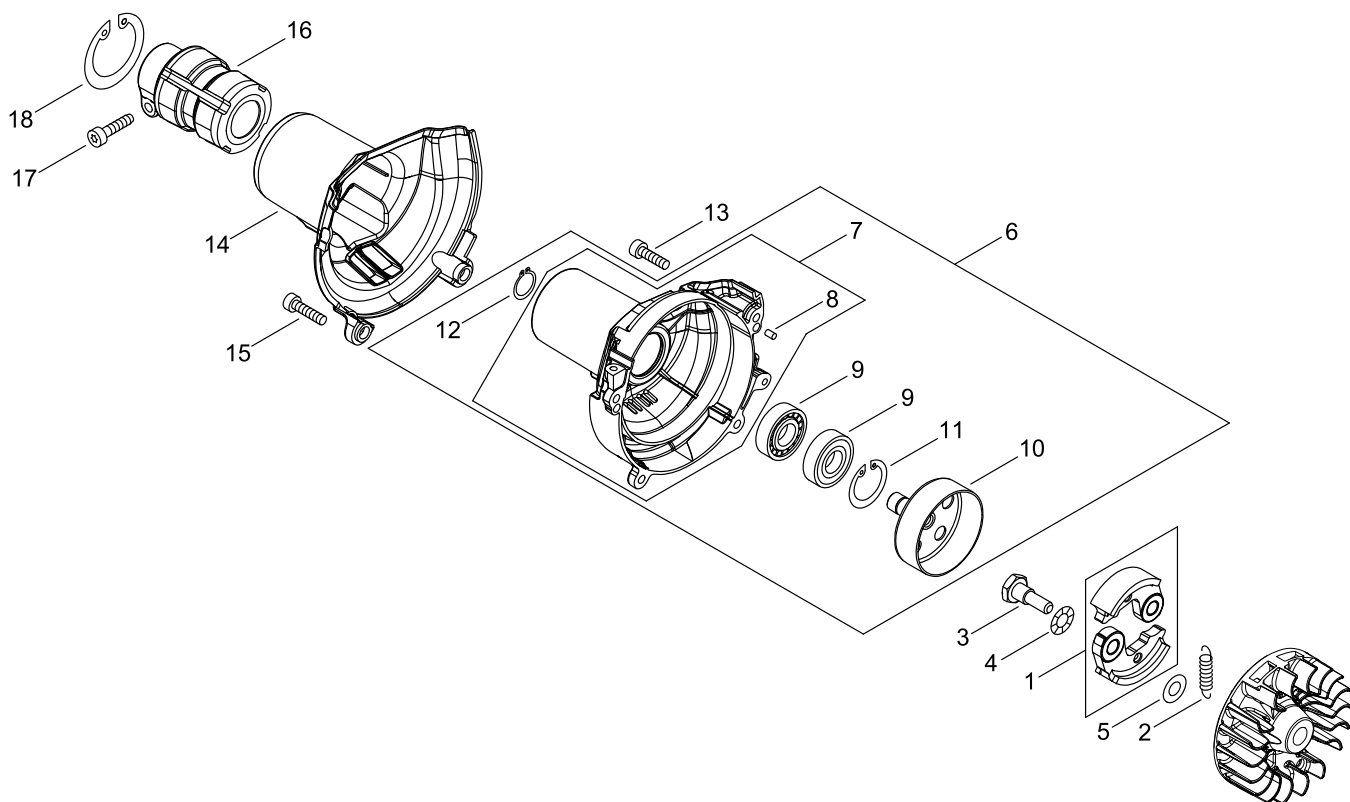
Key No.	LV (+)	Parts Number	Parts Description	Qty	Standard	Class
1		A409-001320	ROTOR, MAGNETO	1		C
2		A411-001790	COIL, IGNITION	1	ID#A10073A	C
3		V475-007540	TUBE	1		C
4		900515-00008	NUT, FLANGE 8	1	8	
5		C152-001030	CONNECTOR	1		C
6		V323-000070	WASHER,CIRCULAR 5	2	5.2*10*3	C
7		V805-000210	BOLT, TORX 5	2	TB-5*20 12.9	C
8		156110-04920	BUSHING	1		C
9		100142-12330	KEY, WOODRUFF	1		C
10		A425-000060	SPARKPLUG	1	CMR7H	A
11		A427-000090	PLUG CAP	1		C
12		V151-000170	PLATE,CUP	1		C
13		A429-000110	PLUG CAP COVER	1		C
14		J473-000120	PIECE,COVER	1		
15		900720-00022	O-RING 22	1	P-22	
16		159011-03432	COIL, SPARK PLUG	1		C
17		V485-002880	LEAD	1		C

Class : Consumable class

A:Fast moving parts B:Semi-fast moving parts C:Slow moving parts D:Order only as needed



## CLUTCH



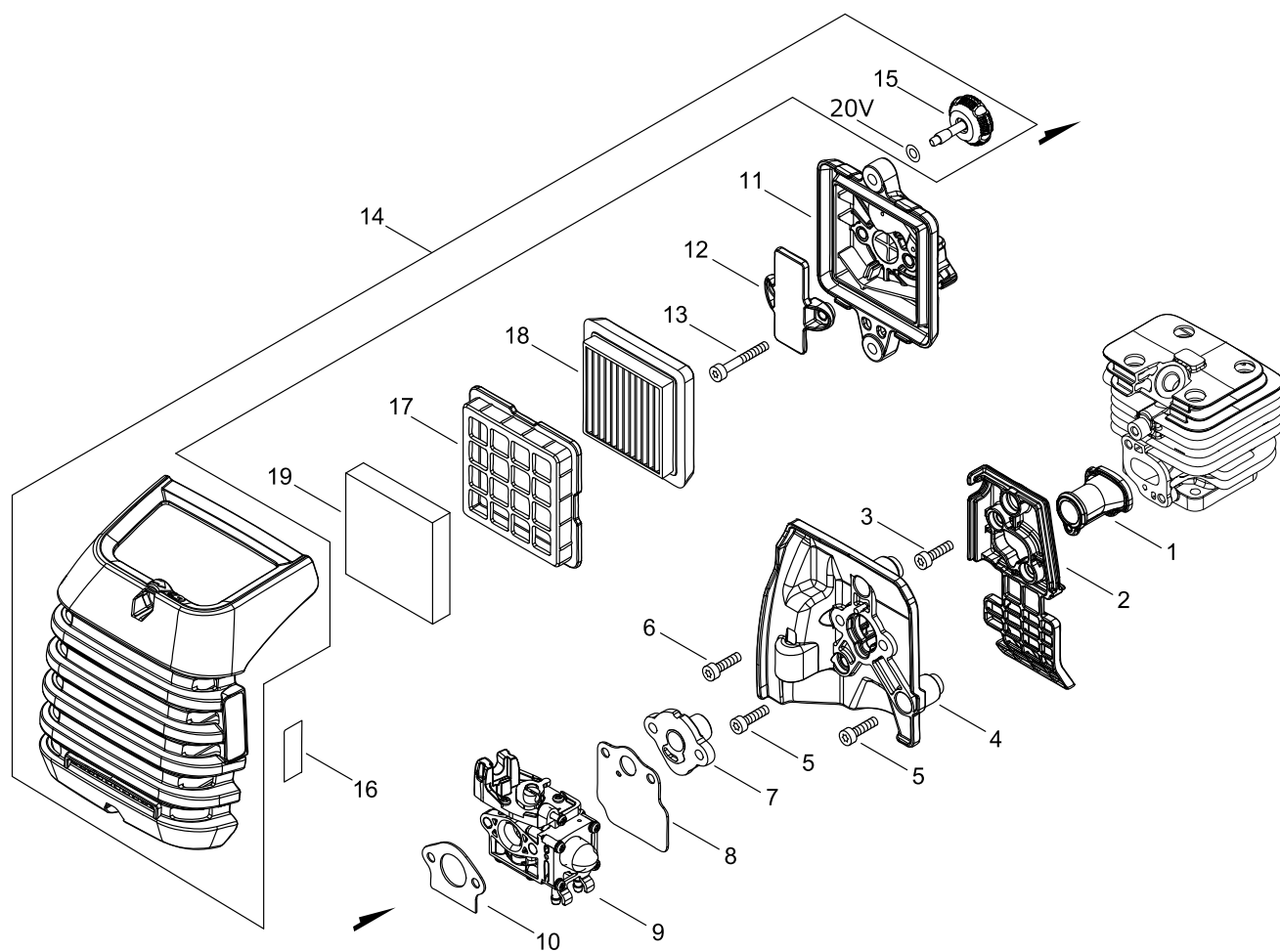
## CLUTCH

Key No.	LV (+)	Parts Number	Parts Description	Qty	Standard	Class
1		P100-002270	ARM,CLUTCH SET	1		
2		V451-001390	SPRING,TENSION	1	172N/34MM	B
3		175046-56030	SHAFT, CLUTCH	2		B
4		175049-56030	WASHER	2	8.5*16*0.5	C
5		175048-05530	WASHER (I)	2	6.2*19*1.0	C
6		P100-005340	FAN COVER ASY	1		
7	+	A172-003142	COVER,FAN	1		C
8	++	900330-40080	PIN F 4*8	2	4*8	
9	+	900807-06001	BEARING, BALL 6001	2	6001V(LB)	
10	+	A556-001760	DRUM,CLUTCH	1		B
11	+	900702-00028	CIRCLIP 28	1	CR-28	
12	+	900701-00012	CIRCLIP 12	1	CS-12	
13		V805-000150	BOLT, TORX 5	2	TB-5*16 10.9	C
14		A413-000090	BOOT	1		C
15		V805-000160	BOLT, TORX 5	2	TB-5*20 10.9	C
16		A575-000640	FIXTURE, MAIN PIPE	1		C
17		V805-000170	BOLT, TORX 5	1	TB-5*25 10.9	C
18		900702-00042	CIRCLIP 42	1	CR-42	

Class : Consumable class

A:Fast moving parts B:Semi-fast moving parts C:Slow moving parts D:Order only as needed

## AIR CLEANER, CARBURETOR



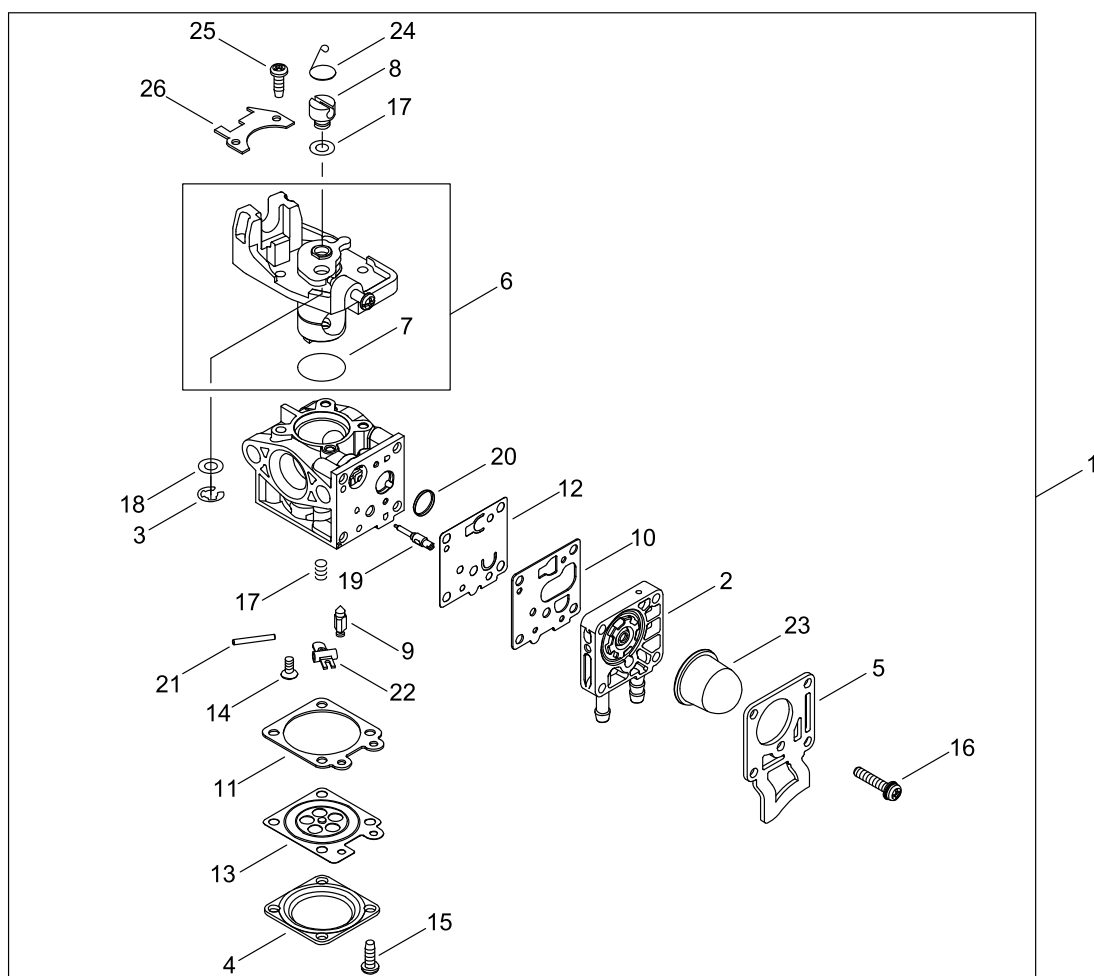
## AIR CLEANER, CARBURETOR

Key No.	LV (+)	Parts Number	Parts Description	Qty	Standard	Class
1		A202-000300	BELLOWS, INTAKE	1		C
2		A206-000040	HOLDER, BELLOWS	1		C
3		V253-001020	SCREW,5	2	TB2411 10MM	C
4		A209-001010	PLATE, INSULATOR	1		C
5		V805-000150	BOLT, TORX 5	2	TB-5*16 10.9	C
6		V855-000000	BOLT, TORX 5	1	TB-5*20	C
7		A209-001000	PLATE, INSULATOR	1		C
8		V103-001890	GASKET,INTAKE	1		A
9		A021-004600	CARBURETOR,DIAPHRAGM	1	WYG-9	B
10		V103-001900	GASKET,INTAKE	1		A
11		P021-050880	CLEANER CASE ASY	1		
12		A244-000370	PLATE,PREVENT	1		C
13		V805-000340	BOLT, TORX 5	2	TB-5*60 10.9	C
14		P100-003601	CLEANER COVER ASY	1		
15	+	V299-000640	KNOB,FASTENER	2		C
20V	+	V340-000210	WASHER	2	5.6*11.3	C
16		X506-000170	LABEL,CHOKE	1	SYMBOLS + T	D
17		A227-000050	PLATE, ELEMENT	1		C
18		A226-002030	ELEMENT, AIR FILTER	1		A
19		A226-002040	ELEMENT, AIR FILTER	1	HP-70	A

Class : Consumable class

A:Fast moving parts B:Semi-fast moving parts C:Slow moving parts D:Order only as needed

## CARBURETOR



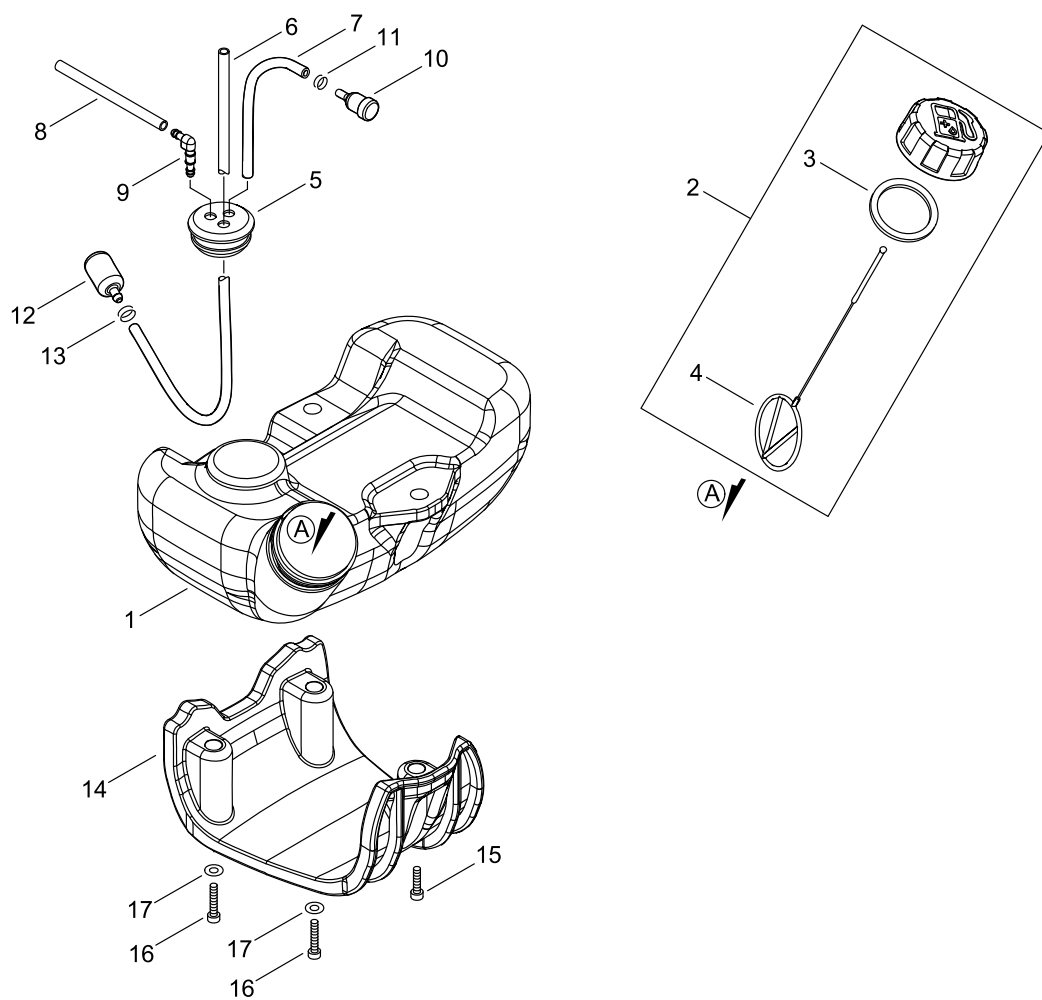
## CARBURETOR

Key No.	LV (+)	Parts Number	Parts Description	Qty	Standard	Class
1		A021-004601	CARBURETOR,DIAPHRAGM	1	WYG-9" . .	B
2	+	P003-006120	BODY ASSEMBLY, PUMP	1		
3	+	123173-07930	CLIP	1		
4	+	123142-03930	COVER, M. DIAPHRAGM	1		
5	+	P003-006500	COVER, FUEL PUMP	1		
6	+	P003-006140	VALVE, THROTTLE	1		
7	++	P003-004480	O-RING	1		
8	+	P003-005850	SWIVEL	1		
9	+	123137-19830	VALVE, INLET NEEDLE	1		
10	+	P003-004530	GASKET, FUEL PUMP	1		
11	+	123140-27230	GASKET,M. DIAPHRAGM	1		
12	+	P003-004540	DIAPHRAGM, FUEL PUMP	1		
13	+	P003-001670	DIAPHRAGM, METERING	1		
14	+	P003-005860	SCREW	1		
15	+	P003-004560	SCREW	4		
16	+	P003-004570	SCREW	4		
17	+	P003-005870	SPRING	1		
18	+	P003-001710	WASHER	2		
19	+	P003-005880	NEEDLE	1		D
20	+	123126-10631	SCREEN, INLET	1		
21	+	123138-03930	PIN, METERING LEVER	1		
22	+	P003-001630	LEVER, METERING	1		
23	+	123181-09560	PUMP, PRIMER	1		
24	+	P003-005890	CLIP	1		
25	+	123114-40630	SCREW	3		
26	+	P003-005900	PLATE	1		

Class : Consumable class

A:Fast moving parts B:Semi-fast moving parts C:Slow moving parts D:Order only as needed

## FUEL TANK



## FUEL TANK

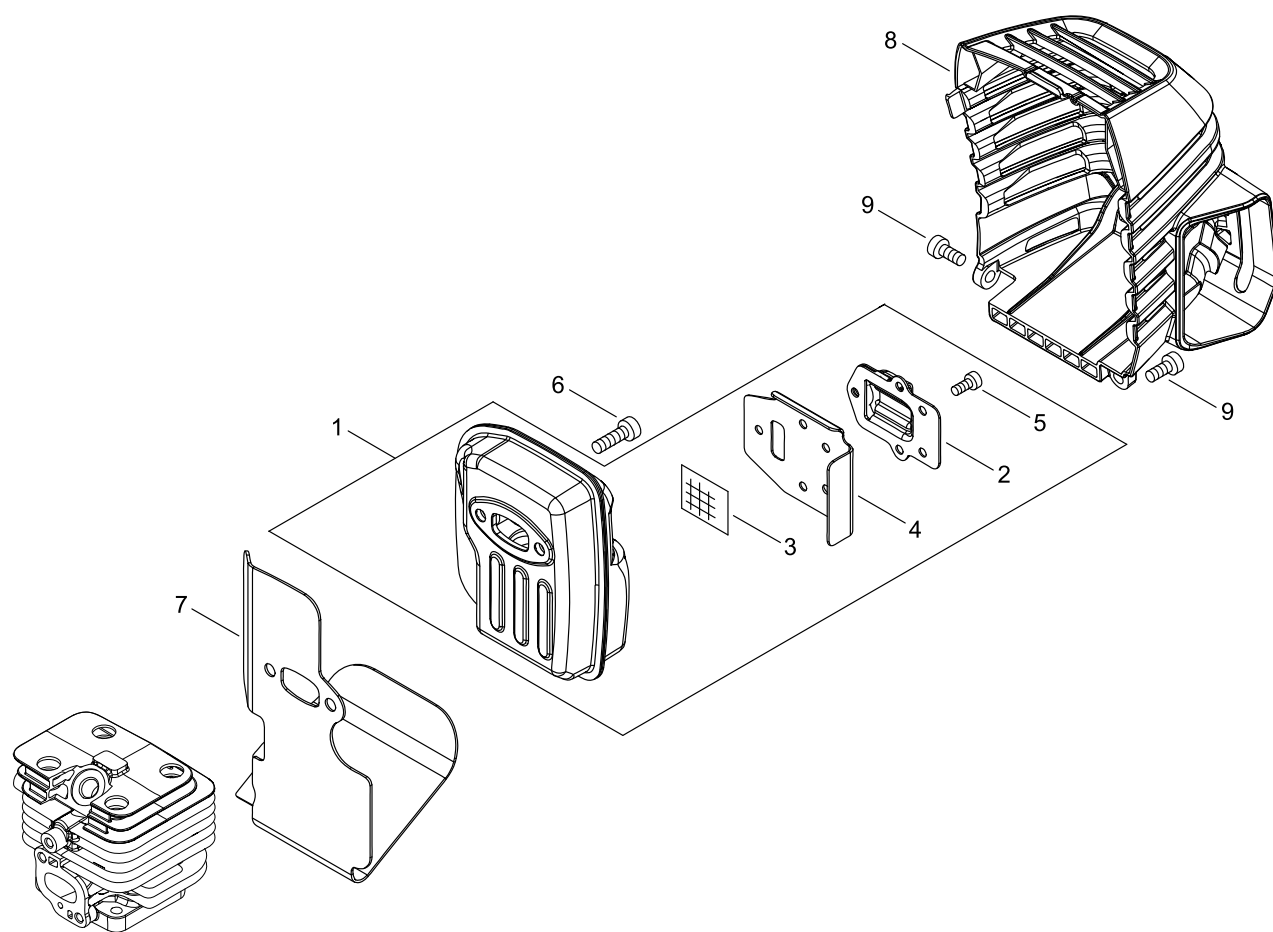
Key No.	LV (+)	Parts Number	Parts Description	Qty	Standard	Class
1		A350-002350	TANK, FUEL	1		C
2		P021-035681	FUEL CAP ASY	1	T242	
3	+	V107-000190	GASKET,FUEL CAP	1	37.9* T 2.2	A
4	+	A365-000060	CONNECTOR,CAP	1	L=123	B
5		132115-55931	GROMMET, FUEL	1	3 Φ5	C
6		V471-001231	PIPE	1	3*5*210	C
7		132010-06531	PIPE 3* 6* 85	1	3*6*85	C
8		132012-56030	PIPE	1	3*6*80 YL	C
9		V186-000500	JOINT,PIPE	1		C
10		A356-000031	VALVE,CHECK	1		B
11		V490-001230	CLIP	1		C
12		A369-000470	STRAINER, FUEL	1		A
13		V490-001240	CLIP	1		C
14		A175-000040	STAND	1		C
15		V805-000160	BOLT, TORX 5	1	TB-5*20 10.9	C
16		V805-000170	BOLT, TORX 5	2	TB-5*25 10.9	C
17		900602-00005	WASHER 5	2	5.3*10*1	

Class : Consumable class

A:Fast moving parts B:Semi-fast moving parts C:Slow moving parts D:Order only as needed



## MUFFLER



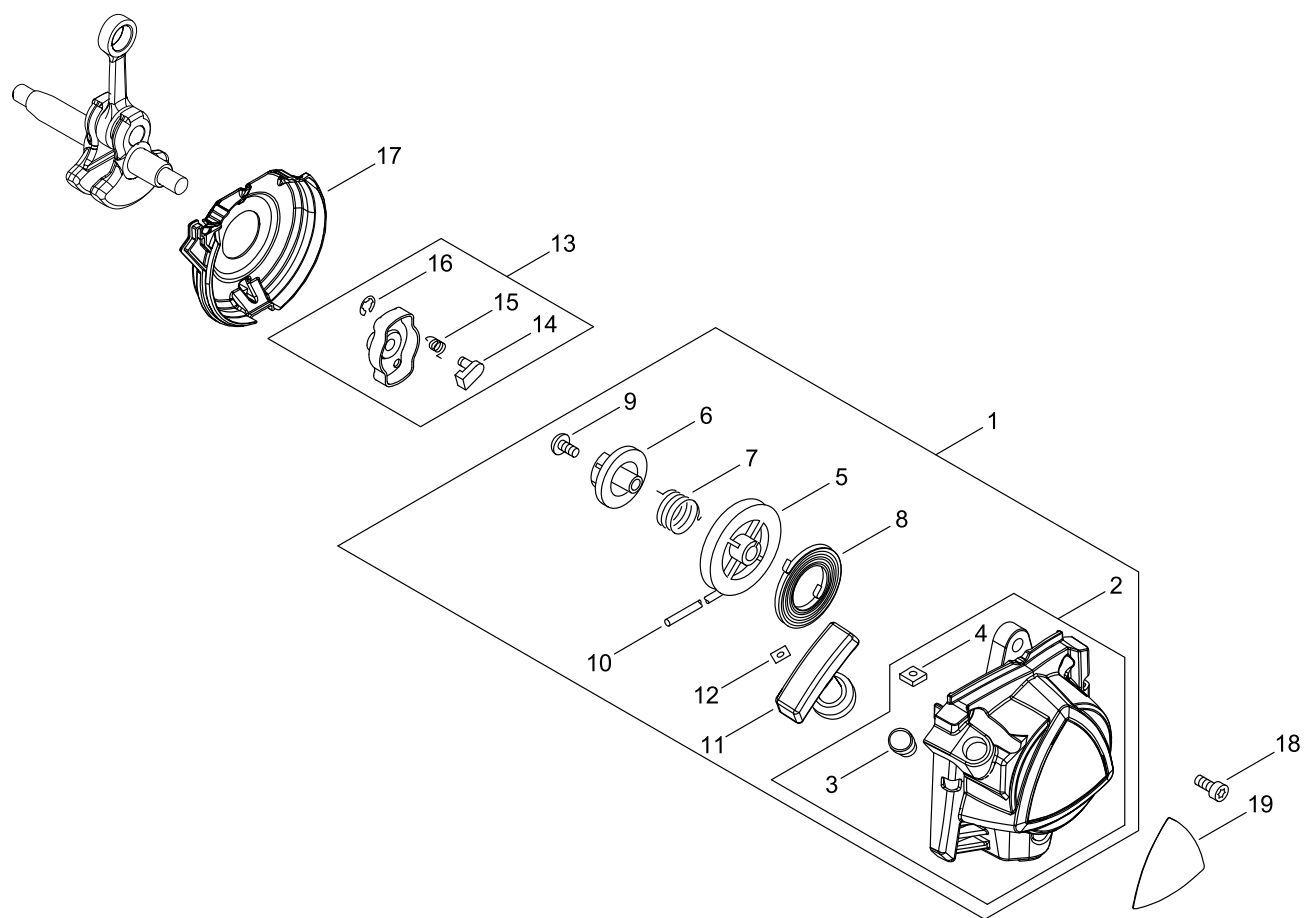
## MUFFLER

Key No.	LV (+)	Parts Number	Parts Description	Qty	Standard	Class
1		P100-004021	MUFFLER ASY	1		
2	+	A313-002060	GUIDE, EXHAUST	1		C
3	+	145862-40630	SCREEN, MUFFLER	1		B
4	+	V104-002300	GASKET,EXHAUST	1		A
5	+	V804-000030	BOLT, TORX 4	5	TB-4*8 10.9	C
6		V805-000250	BOLT, TORX 5	2	TB-5*16 12.9	C
7		V104-002310	GASKET,EXHAUST	1		A
8		A320-001200	COVER,MUFFLER	1		C
9		V835-000010	BOLT, TORX 5	2	TB-5*12 10.9	C

Class : Consumable class

A:Fast moving parts B:Semi-fast moving parts C:Slow moving parts D:Order only as needed

## RECOIL STARTER, PULLY



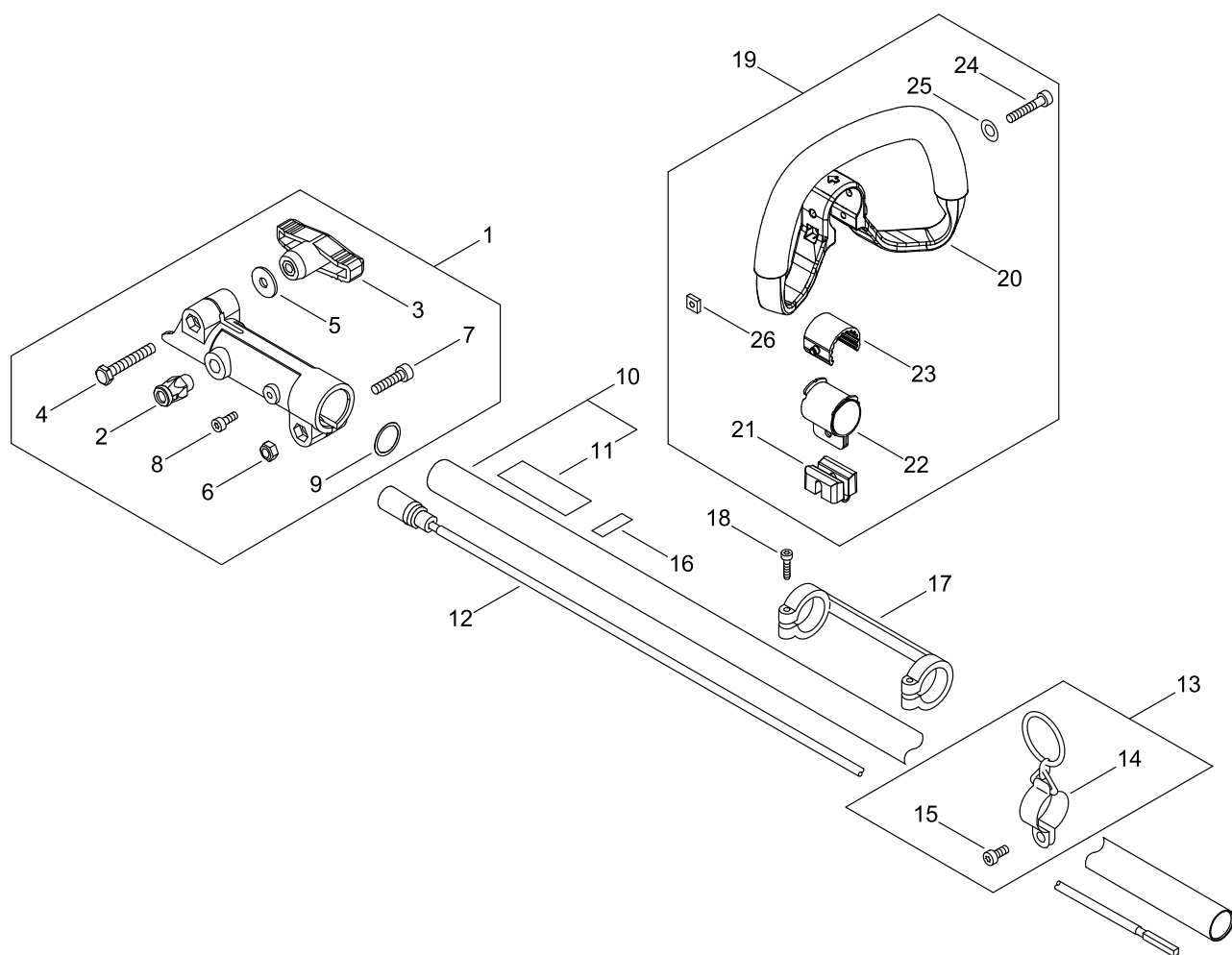
## RECOIL STARTER, PULLY

Key No.	LV (+)	Parts Number	Parts Description	Qty	Standard	Class
1		A051-003220	STARTER,RECOIL ASY	1		B
2	+	P022-043670	STATER CASE	1		
3	++	P022-045770	GUIDE, ROPE	1		
4	++	900565-00005	NUT	2	5	
5	+	P022-033320	DRUM, STARTER	1		
6	+	P022-033310	PLATE, CAM	1		
7	+	P022-008270	SPRING,DAMPER	1		
8	+	177220-40630	SPRING, REWIND	1		
9	+	177236-61830	SCREW	1		
10	+	P022-022110	ROPE, STARTER	1		
11	+	177228-27030	GRIP, STARTER	1		C
12	+	P022-037670	STOPPER, ROPE	1		
13		A052-000180	PULLEY,ASM STARTER	1		C
14	+	P022-006850	PAWL, STARTER	2		
15	+	177234-12220	SPRING, PAWL	2		
16	+	P022-002100	E-RING	2	4	
17		A127-000470	COVER,DUST	1		C
18		V805-000140	BOLT, TORX 5	3	TB-5*12 10.9	C
19		X562-001090	LABEL,SHINDAIWA	1	SHINDAIWA+M262S	D

Class : Consumable class

A:Fast moving parts B:Semi-fast moving parts C:Slow moving parts D:Order only as needed

## MAIN PIPE, HANDLE



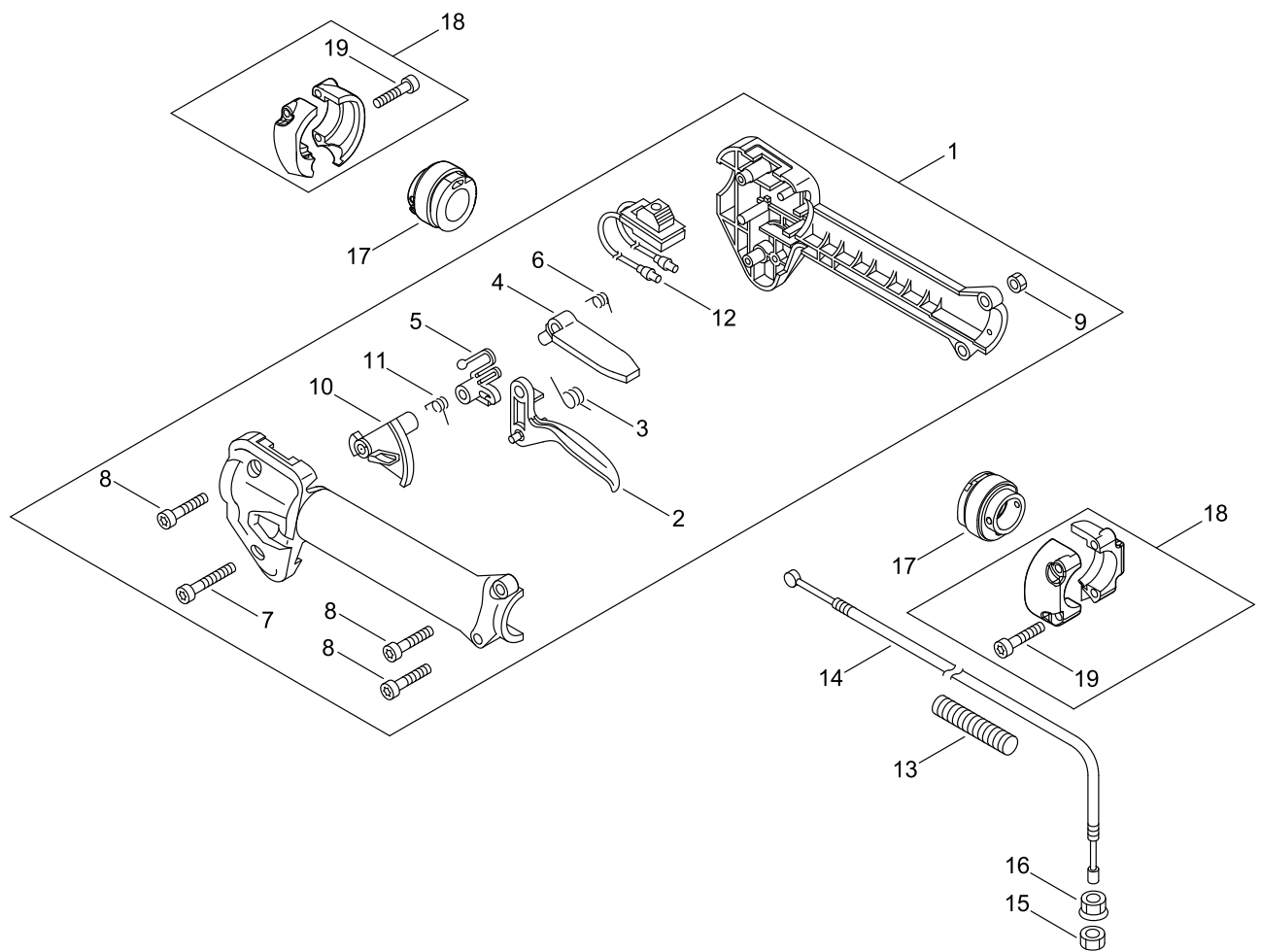
## MAIN PIPE, HANDLE

Key No.	LV (+)	Parts Number	Parts Description	Qty	Standard	Class
1		C510-000330	COUPLING, MAIN PIPE	1	FINAL COUPLING	C
2		P100-005150	LATCH ASY	1		
3	+	V299-000660	KNOB,FASTENER	1	M6X1 WING ASS'Y	C
4	+	91085-06040	BOLT	1	6*40	
5	+	V304-000040	WASHER,CIRCULAR 6	1	6.6*20*1.6	C
6	+	900514-00006	NUT 6	1	6	
7	+	V806-000020	BOLT, TORX 6	1	TB-6*25 10.9	C
8	+	V805-000130	BOLT, TORX 5	1	TB-5*10 10.9	C
9	+	V312-000010	WASHER,CIRCULAR 18	1	18*21.85*.203	C
10		P100-005860	MAIN PIPE ASY	1		
11	+	X505-006800	LABEL,CAUTION	1	ISO 3-SYMBOL	D
12		C506-000550	SHAFT, FLEXIBLE	1	L:31.58" / 802MM	B
13		P021-051240	HOOK ASY	1		
14	+	C646-000060	RING, HARNESS	1	3-PIECE ASM	C
15	+	V805-000140	BOLT, TORX 5	1	TB-5*12 10.9	C
16		890152-04930	LABEL, CAUTION	1		D
17		V363-000320	COLLAR,24	1		C
18		V804-000020	BOLT, TORX 4	2	TT-4*20 DG 10.9	C
19		P021-047681	HANDLE ASY	1		
20	+	C400-001021	HANDLE,FRONT	1		C
21	+	C401-000280	PIECE,HANDLE	1		D
22	+	C610-000050	FIXTURE, CUSHION	1		D
23	+	V420-003700	CUSHION	1		B
24	+	V805-000280	BOLT, TORX 5	1	TB-5*45 10.9	C
25	+	900603-00005	WASHER 5	1	5.5*12*0.8	
26	+	V263-000130	NUT	1		C

Class : Consumable class

A:Fast moving parts B:Semi-fast moving parts C:Slow moving parts D:Order only as needed

## THROTTLE



## THROTTLE

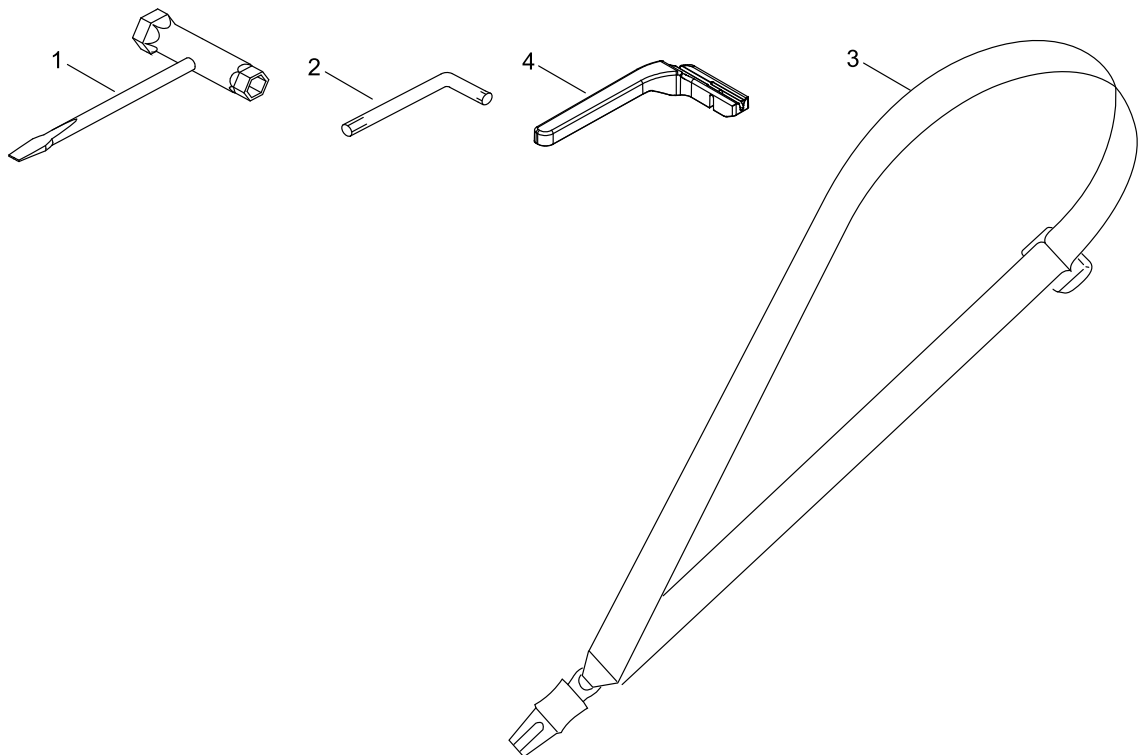
Key No.	LV (+)	Parts Number	Parts Description	Qty	Standard	Class
1		P100-005890	THROTTLE ASY	1		
2	+	C450-000780	TRIGGER,THROTTLE	1		C
3	+	178043-42230	SPRING, THR. RETURN	1		B
4	+	C460-000370	LOCKOUT,THROTTLE	1		C
5	+	C461-000000	LATCH,THROTTLE	1		C
6	+	178013-52630	SPRING, THR. LOCK	1		B
7	+	V805-000060	BOLT, TORX 5	1	TB-5*35 10.9	C
8	+	V805-000170	BOLT, TORX 5	3	TB-5*25 10.9	C
9	+	900500-00005	NUT	4	5	
10	+	C461-000110	LATCH,THROTTLE	1		C
11	+	V452-000120	SPRING,TORSION	1		B
12	+	A440-002800	SWITCH, ON OFF	1		C
13		V475-008930	TUBE	1		C
14		V430-004940	CABLE,BOWDEN	1		B
15		900502-00006	NUT	1	6	
16		900518-00006	NUT, FLANGE	1	6	
17		V420-000960	CUSHION	2		B
18		P021-050990	HANDLE FIXTURE ASY	2		
19	+	V805-000170	BOLT, TORX 5	4	TB-5*25 10.9	C

Class : Consumable class

A:Fast moving parts B:Semi-fast moving parts C:Slow moving parts D:Order only as needed



# ACCESSORIES



## ACCESSORIES

Key No.	LV (+)	Parts Number	Parts Description	Qty	Standard	Class
1		895415-66630	WRENCH, SPCKET	1		D
2		X605-000170	TOOL,L WRENCH	1		D
3		C062-000700	HARNESS, SHOULDER	1	SINGLE SLING	B
4		C405-000420	BARRIER	1		C

Class : Consumable class

A:Fast moving parts B:Semi-fast moving parts C:Slow moving parts D:Order only as needed

# NUMERICAL PARTS INDEX

Part No	Part description	Page	Part No	Part description	Page	Part No	Part description	Page
100013-35430	PIN, PISTON	2	900810-36000	BEARING, BALL	4	C461-000110	LATCH,THROTTLE	22
100014-53630	SPACER, PISTON PIN	2	91085-06040	BOLT	20	C506-000550	SHAFT, FLEXIBLE	20
100015-03931	CIRCLIP, PISTON PIN	2	A011-001460	CRANKSHAFT,ASY	2	C510-000330	COUPLING, MAIN PIPE	20
100142-12330	KEY, WOODRUFF	6	A021-004600	CARBURETOR, DIAPHRAGM	10	C610-000050	FIXTURE, CUSHION	20
100212-42031	OILSEAL	4	A021-004601	CARBURETOR, DIAPHRAGM	12	C646-000060	RING, HARNESS	20
123114-40630	SCREW	12	A051-003220	STARTER,RECOIL ASY	18	J473-000120	PIECE,COVER	6
123126-10631	SCREEN, INLET	12	A052-000180	PULLEY,ASM STARTER	18	P003-001630	LEVER, METERING	12
123137-19830	VALVE, INLET NEEDLE	12	A101-000010	RING,PISTON	2	P003-001670	DIAPHRAGM, METERING	12
123138-03930	PIN, METERING LEVER	12	A127-000470	COVER,DUST	18	P003-001710	WASHER	12
123140-27230	GASKET,M. DIAPHRAGM	12	A130-002330	CYLINDER	2	P003-004480	O-RING	12
123142-03930	COVER, M. DIAPHRAGM	12	A160-003290	COVER,CYLINDER	2	P003-004530	GASKET, FUEL PUMP	12
123173-07930	CLIP	12	A172-003142	COVER,FAN	8	P003-004540	DIAPHRAGM, FUEL PUMP	12
123181-09560	PUMP, PRIMER	12	A175-000040	STAND	14	P003-004560	SCREW	12
132010-06531	PIPE 3* 6* 85	14	A202-000300	BELLOWS, INTAKE	10	P003-004570	SCREW	12
132012-56030	PIPE	14	A206-000040	HOLDER, BELLOWS	10	P003-005850	SWIVEL	12
132115-55931	GROMMET, FUEL	14	A209-001000	PLATE, INSULATOR	10	P003-005860	SCREW	12
145862-40630	SCREEN, MUFFLER	16	A209-001010	PLATE, INSULATOR	10	P003-005870	SPRING	12
156110-04920	BUSHING	6	A226-002030	ELEMENT, AIR FILTER	10	P003-005880	NEEDLE	12
159011-03432	COIL, SPARK PLUG	6	A226-002040	ELEMENT, AIR FILTER	10	P003-005890	CLIP	12
175046-56030	SHAFT, CLUTCH	8	A227-000050	PLATE, ELEMENT	10	P003-005900	PLATE	12
175048-05530	WASHER (I)	8	A244-000370	PLATE,PREVENT	10	P003-006120	BODY ASSEMBLY, PUMP	12
175049-56030	WASHER	8	A313-002060	GUIDE, EXHAUST	16	P003-006140	VALVE, THROTTLE	12
177220-40630	SPRING, REWIND	18	A320-001200	COVER,MUFFLER	16	P003-006500	COVER, FUEL PUMP	12
177228-27030	GRIP, STARTER	18	A350-002350	TANK, FUEL	14	P021-035681	FUEL CAP ASY	14
177234-12220	SPRING, PAWL	18	A356-000031	VALVE,CHECK	14	P021-047681	HANDLE ASY	20
177236-61830	SCREW	18	A365-000060	CONNECTOR,CAP	14	P021-050840	PISTON KIT	2
178013-52630	SPRING, THR. LOCK	22	A369-000470	STRAINER, FUEL	14	P021-050850	CRANKCASE KIT	4
178043-42230	SPRING, THR. RETURN	22	A409-001320	ROTOR, MAGNETO	6	P021-050880	CLEANER CASE ASY	10
890152-04930	LABEL, CAUTION	20	A411-001790	COIL, IGNITION	6	P021-050990	HANDLE FIXTURE ASY	22
895415-66630	WRENCH, SPCKET	24	A413-000090	BOOT	8	P021-051240	HOOK ASY	20
900330-40080	PIN F 4*8	8	A425-000060	SPARKPLUG	6	P022-002100	E-RING	18
900500-00005	NUT	22	A427-000090	PLUG CAP	6	P022-006850	PAWL, STARTER	18
900502-00006	NUT	22	A429-000110	PLUG CAP COVER	6	P022-008270	SPRING,DAMPER	18
900514-00006	NUT 6	20	A440-002800	SWITCH, ON OFF	22	P022-022110	ROPE, STARTER	18
900515-00008	NUT, FLANGE 8	6	A556-001760	DRUM,CLUTCH	8	P022-033310	PLATE, CAM	18
900518-00006	NUT, FLANGE	22	A575-000640	FIXTURE, MAIN PIPE	8	P022-033320	DRUM, STARTER	18
900565-00005	NUT	18	C062-000700	HARNESS, SHOULDER	24	P022-037670	STOPPER, ROPE	18
900602-00005	WASHER 5	14	C152-001030	CONNECTOR	6	P022-043670	STATER CASE	18
900603-00005	WASHER 5	20	C400-001021	HANDLE,FRONT	20	P022-045770	GUIDE, ROPE	18
900701-00012	CIRCLIP 12	8	C401-000280	PIECE,HANDLE	20	P100-002270	ARM,CLUTCH SET	8
900702-00028	CIRCLIP 28	8	C405-000420	BARRIER	24	P100-003601	CLEANER COVER ASY	10
900702-00042	CIRCLIP 42	8	C450-000780	TRIGGER,THROTTLE	22	P100-004021	MUFFLER ASY	16
900720-00022	O-RING 22	6	C460-000370	LOCKOUT,THROTTLE	22	P100-005150	LATCH ASY	20
900800-36001	BEARING, BALL	4	C461-000000	LATCH,THROTTLE	22	P100-005340	FAN COVER ASY	8
900807-06001	BEARING, BALL 6001	8						

# NUMERICAL PARTS INDEX

Part No	Part description	Page	Part No	Part description	Page
P100-005860	MAIN PIPE ASY	20	V805-000170	BOLT, TORX 5	22
P100-005890	THROTTLE ASY	22	V805-000210	BOLT, TORX 5	2
V100-000840	GASKET,CYL	2	V805-000210	BOLT, TORX 5	6
V102-000300	GASKET,CRANKCASE	4	V805-000220	BOLT, TORX 5	4
V103-001890	GASKET,INTAKE	10	V805-000250	BOLT, TORX 5	16
V103-001900	GASKET,INTAKE	10	V805-000280	BOLT, TORX 5	20
V104-002300	GASKET,EXHAUST	16	V805-000340	BOLT, TORX 5	10
V104-002310	GASKET,EXHAUST	16	V806-000020	BOLT, TORX 6	20
V107-000190	GASKET,FUEL CAP	14	V835-000010	BOLT, TORX 5	2
V151-000170	PLATE,CUP	6	V835-000010	BOLT, TORX 5	16
V186-000500	JOINT,PIPE	14	V855-000000	BOLT, TORX 5	10
V253-001020	SCREW,5	10	X505-006800	LABEL,CAUTION	20
V263-000130	NUT	20	X506-000170	LABEL,CHOKE	10
V299-000640	KNOB,FASTENER	10	X562-001090	LABEL,SHINDAIWA	18
V299-000660	KNOB,FASTENER	20	X562-001100	LABEL,SHINDAIWA	2
V304-000040	WASHER,CIRCULAR 6	20	X605-000170	TOOL,L WRENCH	24
V312-000010	WASHER,CIRCULAR 18	20			
V323-000070	WASHER,CIRCULAR 5	6			
V340-000210	WASHER	10			
V363-000320	COLLAR,24	20			
V420-000960	CUSHION	22			
V420-003700	CUSHION	20			
V430-004940	CABLE,BOWDEN	22			
V451-001390	SPRING,TENSION	8			
V452-000120	SPRING,TORSION	22			
V471-001231	PIPE	14			
V475-007540	TUBE	6			
V475-008930	TUBE	22			
V485-002880	LEAD	6			
V490-001230	CLIP	14			
V490-001240	CLIP	14			
V503-000040	SEAL,OIL 10	4			
V554-000020	BEARING,NEEDLE 9	2			
V804-000020	BOLT, TORX 4	20			
V804-000030	BOLT, TORX 4	16			
V805-000060	BOLT, TORX 5	22			
V805-000130	BOLT, TORX 5	20			
V805-000140	BOLT, TORX 5	18			
V805-000140	BOLT, TORX 5	20			
V805-000150	BOLT, TORX 5	8			
V805-000150	BOLT, TORX 5	10			
V805-000160	BOLT, TORX 5	8			
V805-000160	BOLT, TORX 5	14			
V805-000170	BOLT, TORX 5	8			
V805-000170	BOLT, TORX 5	14			