

Illustrated Parts List

AHS2510 Hedge Trimmer



European Emission Standards Compliant

CYLINDER / MUFFLER	2
REED VALVE / FAN COVER	3
PISTON / CRANKSHAFT / CAM GEAR / CLUTCH	4
PISTON / CRANKSHAFT / CAM GEAR / CLUTCH	5
FLYWHEEL / COIL ASSY	6
RECOIL STARTER	7
CARBURETOR / AIR FILTER	8
FUEL TANK	9
GEAR CASE	10
GEAR CASE	11
CUTTER ASSY	12
OUTER PIPE / THROTTLE LEVER	13
HANDLE ASSY	14
TOOL SET	14

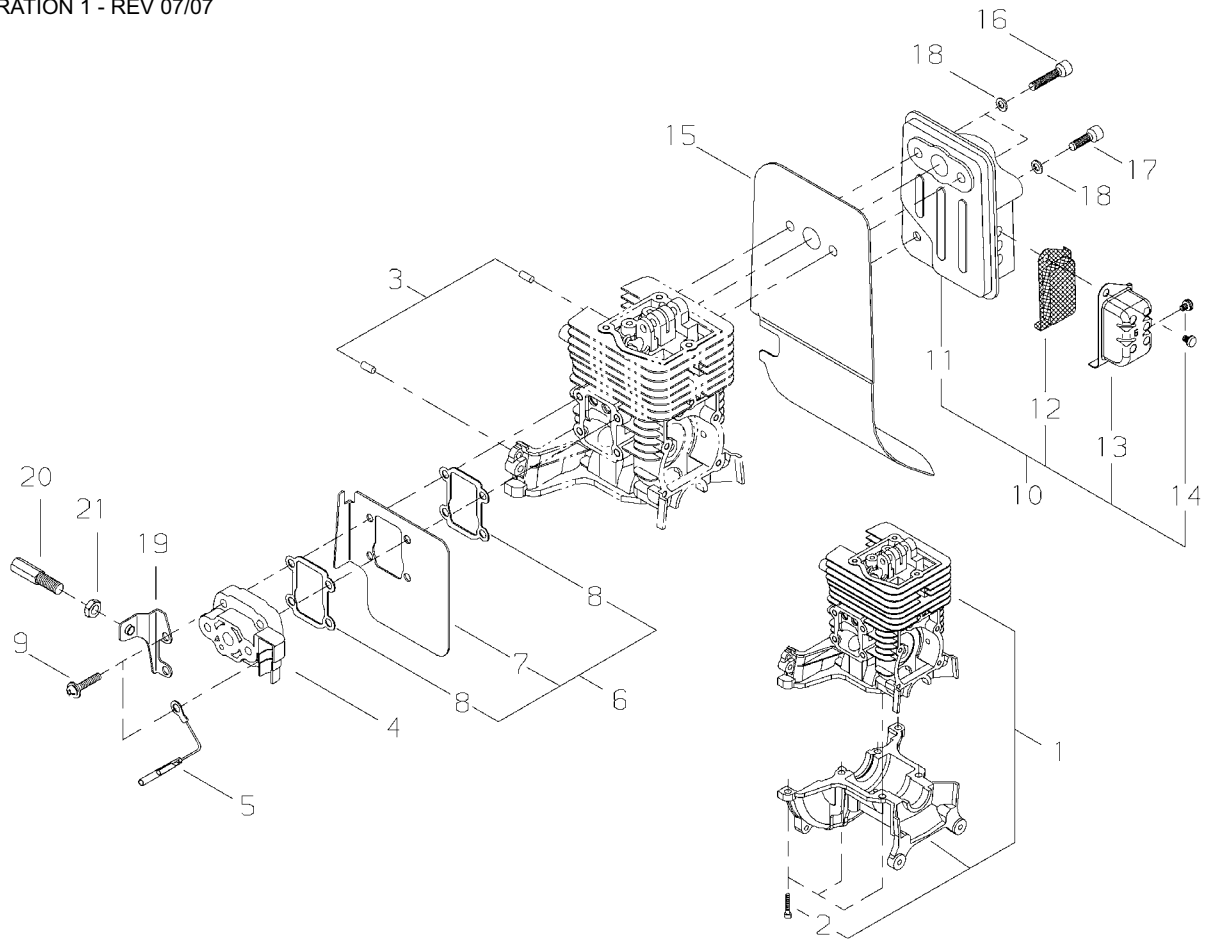
shindaiwa[®]

www.shindaiwa.com

Part Number AHS2510_EC1_81894_00JP Effective 07/07

CYLINDER / MUFFLER

ILLUSTRATION 1 - REV 07/07



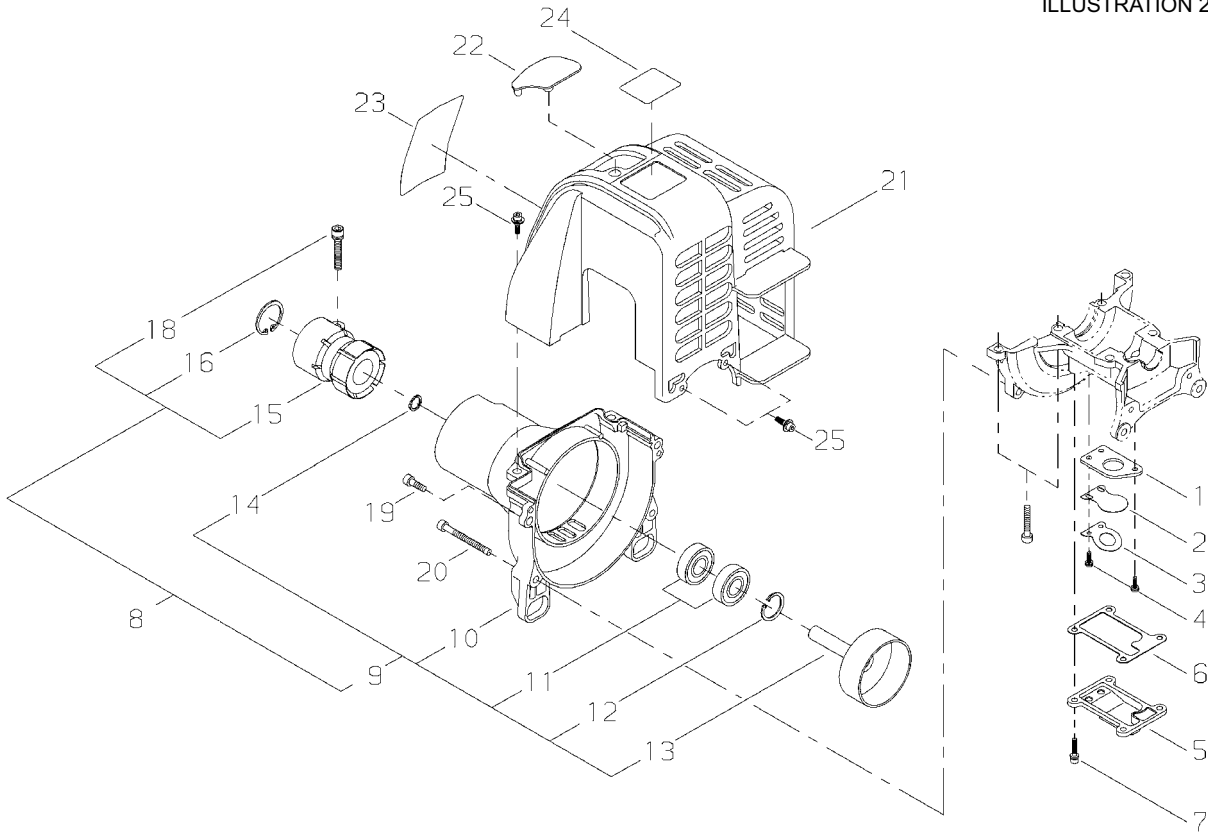
NO.	PART NUMBER	DESCRIPTION	QTY.
1- 1	60908-98330	CYLINDER BLOCK SET	1
2	01020-05160	*BOLT	6
3	12492-40080	ROLLER	2
4	62902-12310	INSULATOR W/REED VALVE	1
5	14350-01101	LEADWIRE	1
6	62902-12320	DEFLECTOR HEAT COMP	1
7	62901-12320	*DEFLECTOR HEAT	1
8	62901-12220	*GASKET	2
9	11206-05225	SCREW, PM SPW	4
10	62907-15011	MUFFLER ASSY	1
11	62907-15111	*MUFFLER	1
12	62902-15131	*ARRESTER SCREEN	1
13	62907-15161	*ARRESTER SCREEN COVER	1
14	11204-04060	*SCREW, PM	2
15	62901-15210	GASKET, MUFFLER	1
16	62901-15310	BOLT	2
17	01020-05160	BOLT	1
18	01610-05080	WASHER	3
19	62901-83310	BRACKET, THROTTLE CABLE	1
20	62902-83310	CABLE ADJUSTER	1
21	01501-06048	NUT	1

* Denotes item is part of an assembly

** Denotes item is part of a sub-assembly

REED VALVE / FAN COVER

ILLUSTRATION 2 - REV 07/07



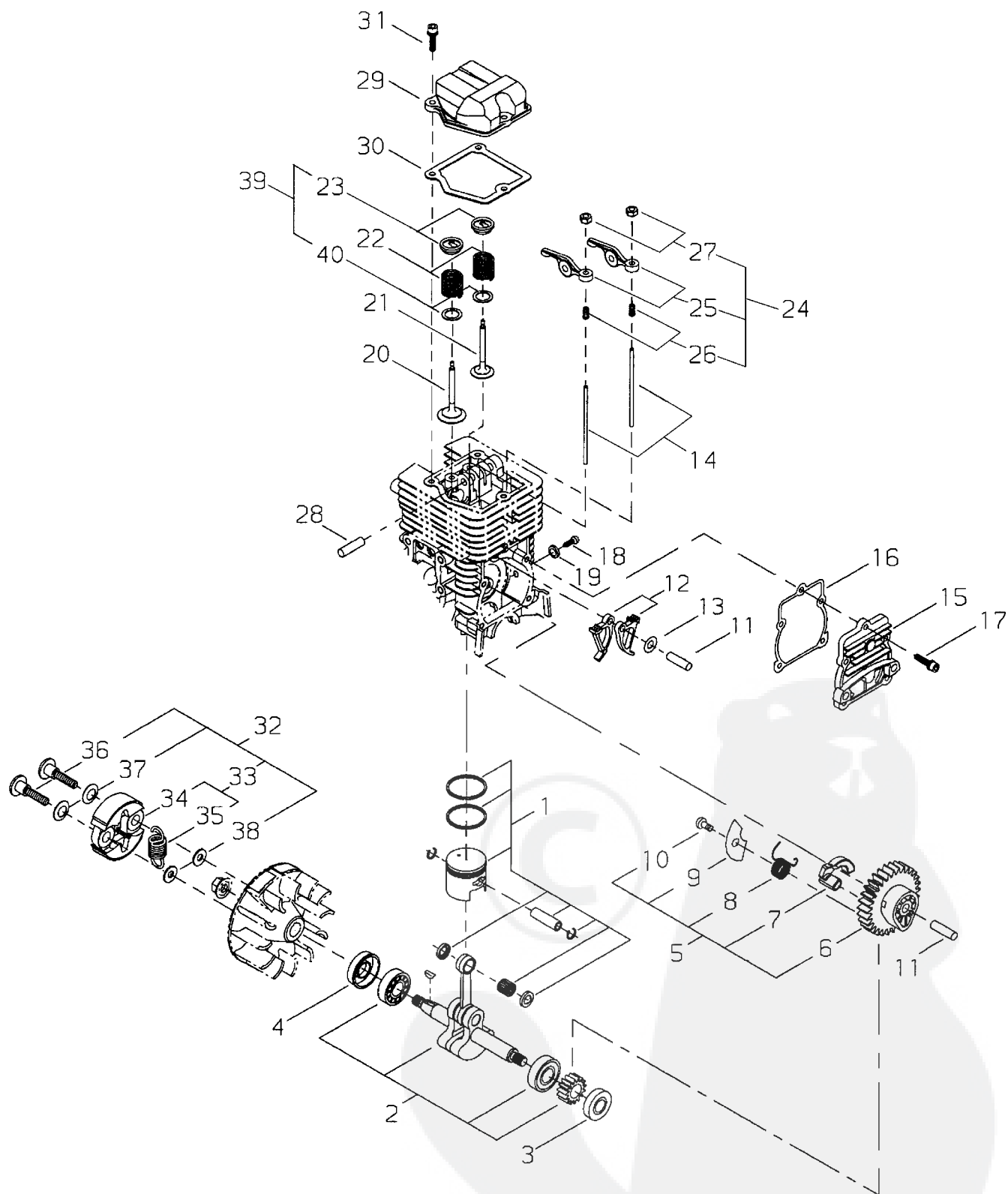
NO.	PART NUMBER	DESCRIPTION	QTY.
2-1	62901-21320	REED BACKING PLATE	1
2	72320-83121	REED VALVE	1
3	72320-83132	REED VALVE STOPPER	1
4	01211-03100	SCREW, SW	3
5	62901-21120	COVER	1
6	62901-21130	GASKET	1
7	11022-04120	BOLT, SW	4
8	60902-98021	FAN COVER ASSY	1
9	62901-31011	*FAN COVER SUB-ASSY	1
10	62901-31111	**FAN COVER	1
11	02002-06000	**BEARING	2
12	02432-26120	**SNAP RING	1
13	20087-31211	**CLUTCH DRUM	1
14	22000-13320	**SNAP RING	1
15	20087-31411	*JOINT	1
16	02432-40170	*SNAP RING	1
18	11020-05220	*BOLT, SW	1
19	01020-05160	BOLT	2
20	11022-05450	BOLT, SPW	2
21	62901-32111	CYLINDER COVER	1
22	62901-32312	GROMMET	1
23	19420-00071	LABEL, TRADE	1
24	68800-91320	LABEL, TRADE	1
25	11024-04160	BOLT, SLPW	4

* Denotes item is part of an assembly

** Denotes item is part of a sub-assembly

PISTON / CRANKSHAFT / CAM GEAR / CLUTCH

ILLUSTRATION 3 - REV 07/07



PISTON / CRANKSHAFT / CAM GEAR / CLUTCH

ILLUSTRATION 3 - REV 07/07

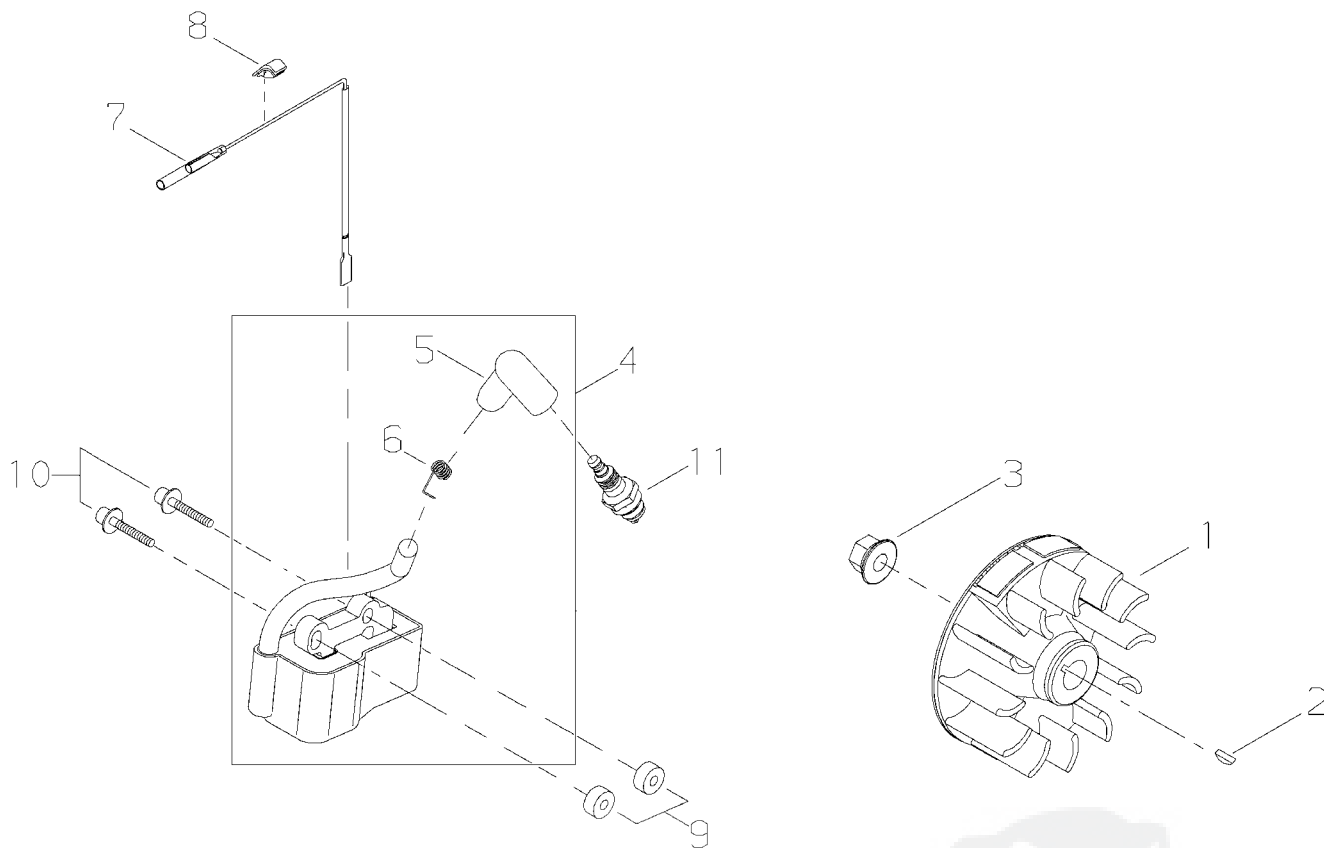
NO.	PART NUMBER	DESCRIPTION	QTY.
3- 1	62902-41310	PISTON ASSY	1
2	62902-42020	CRANKSHAFT ASSY	1
3	62901-42260	OIL SEAL	1
4	62901-42270	OIL SEAL	1
5	62905-43011	CAM GEAR ASSY	1
6	62902-43310	*CAM GEAR	1
7	62907-43120	*WEIGHT	1
8	17520-08900	*COIL SPRING	1
9	62905-43131	*PLATE	1
10	01280-04062	*SCREW, TAPPING	1
11	12492-50290	ROLLER	2
12	62907-43210	LIFTER	2
13	11620-10000	WASHER	1
14	62908-43220	PUSH ROD	2
15	62901-43330	CAM GEAR COVER	1
16	62901-43240	GASKET	1
17	11022-04140	BOLT, SPW	5
18	62901-43310	SCREW	1
19	15401-10028	COLLAR, WASHER	1
20	62902-44111	VALVE, INTAKE	1
21	62902-44121	VALVE, EXHAUST	1
22	62901-44130	VALVE, SPRING	2
24	62907-44010	ROCKER ARM ASSY	2
25	62901-44210	*ROCKER ARM	1
26	62907-44220	*ADJUST SCREW	1
27	62901-44231	*NUT	1
28	12492-50310	ROLLER	1
29	62901-44241	ROCKER ARM COVER	1
30	62901-44250	GASKET	1
31	11022-04120	BOLT, SW	3
32	62901-51011	CLUTCH SET	1
33	62901-51021	*CLUTCH SHOE ASSY	1
34	70140-51113	**CLUTCH SHOE	2
35	70140-51220	**CLUTCH SPRING	1
36	20087-51210	*BOLT	2
37	20087-51231	*SPRING PLATE	2
38	22100-71430	*WASHER	2
39	60908-98370	RETAINER SET	2
23	62908-44140	*RETAINER	1
40	62908-44310	*SHIM	1

* Denotes item is part of an assembly

** Denotes item is part of a sub-assembly

FLYWHEEL / COIL ASSY

ILLUSTRATION 4 - REV 07/07



NO.	PART NUMBER	DESCRIPTION	QTY.
4- 1	62905-71110	FLYWHEEL	1
2	12408-03100	KEY	1
3	20035-71220	NUT	1
4	62905-71310	COIL ASSY	1
5	62905-71250	*PLUG CAP	1
6	62905-71320	*SPRING, PLUG	1
7	14350-02001	LEAD WIRE	1
8	62901-71310	GROMMET	1
9	70030-71620	INSULATOR	2
10	11024-04265	BOLT, SW	2
11	CMR5H	SPARK PLUG	1

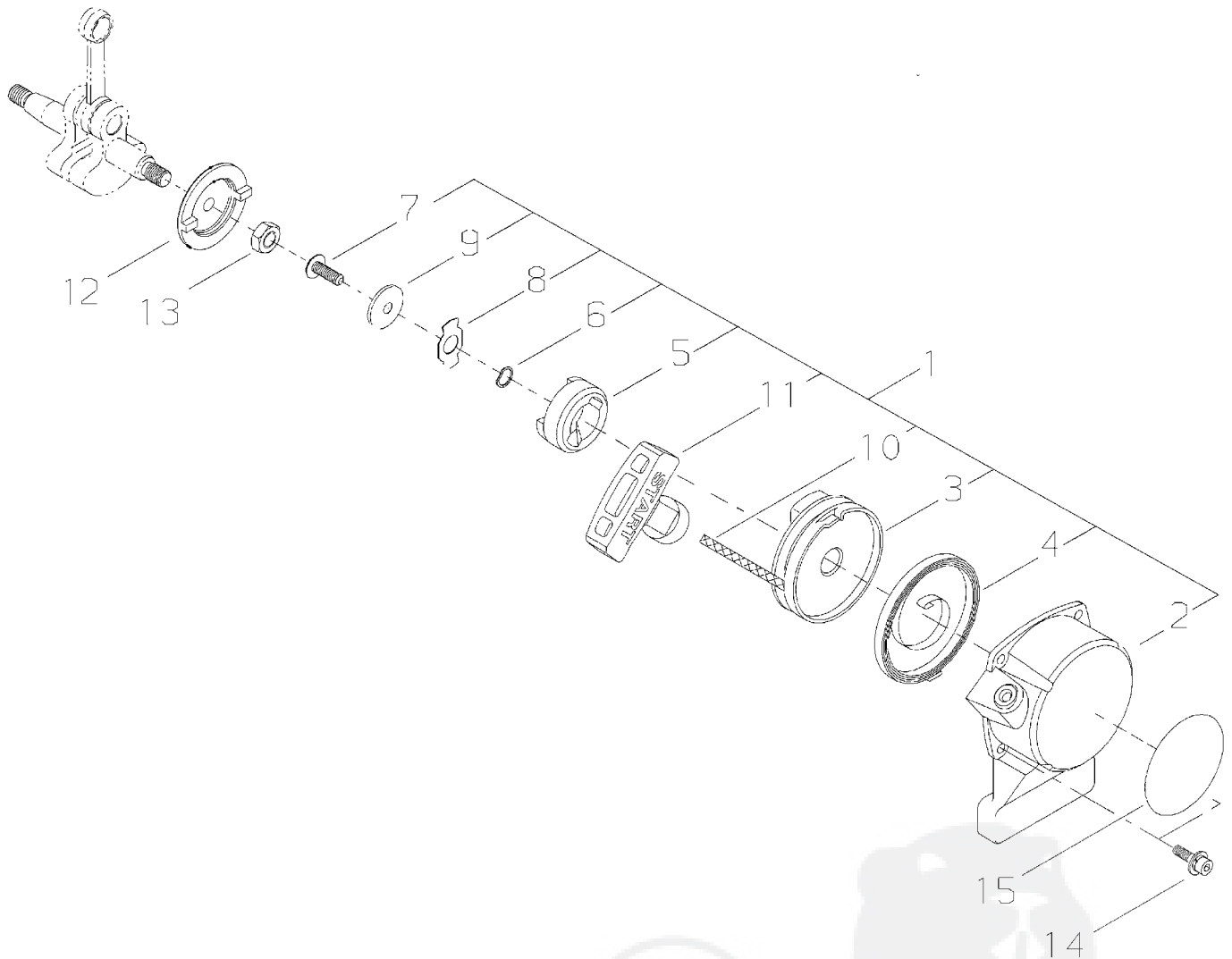
* Denotes item is part of an assembly

** Denotes item is part of a sub-assembly



RECOIL STARTER

ILLUSTRATION 5 - REV 07/07



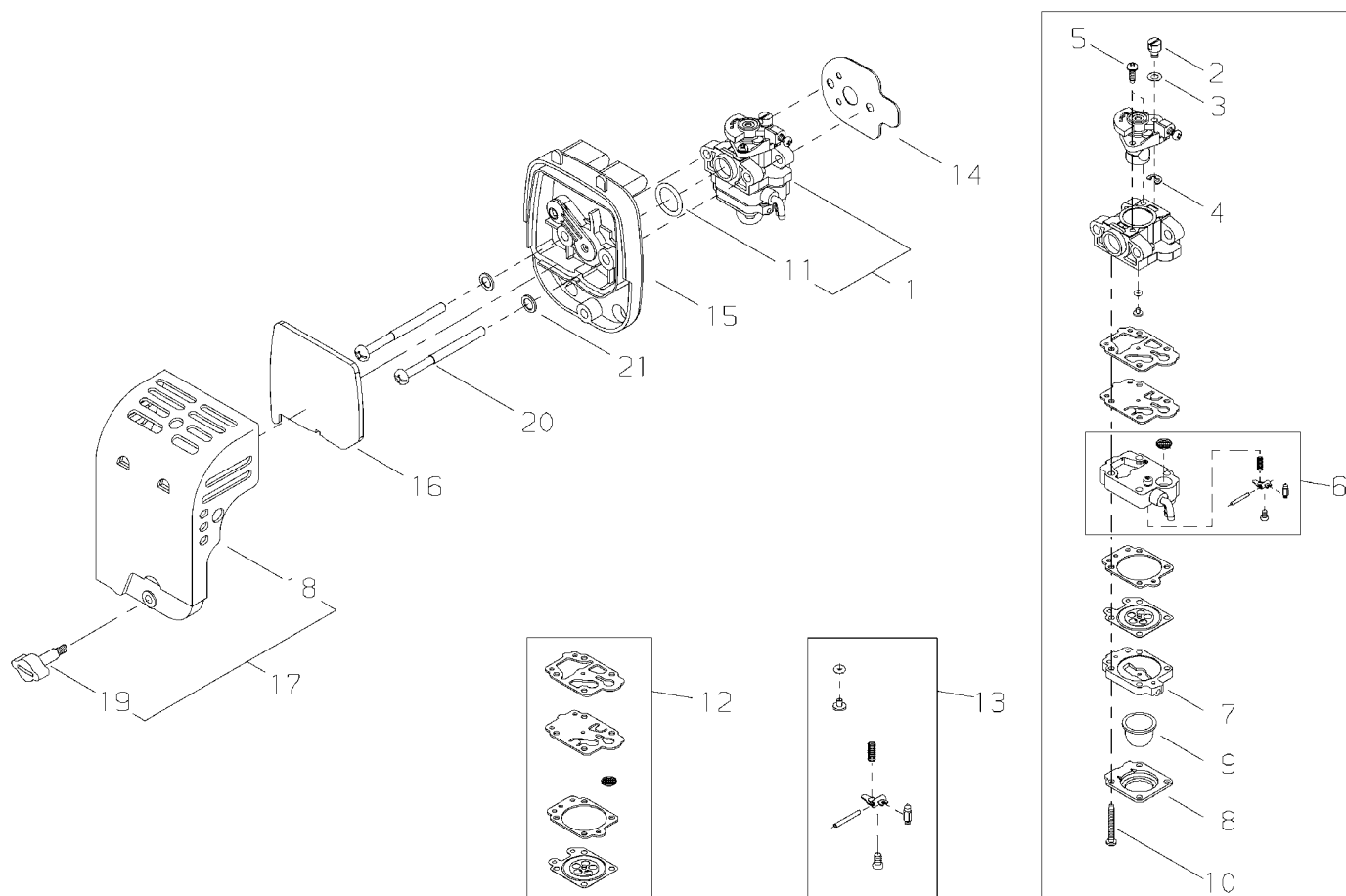
NO.	PART NUMBER	DESCRIPTION	QTY.
5- 1	62901-75012	RECOIL STARTER ASSY	1
2	62901-75111	*STARTER CASE	1
3	62901-75120	*REEL	1
4	70064-75130	*RECOIL SPRING	1
5	62901-75310	*RATCHET	1
6	70064-75150	*WAVE WASHER	1
7	72933-75160	*SCREW	1
8	72933-75170	*RETAINER	1
9	72933-75180	*WASHER	1
10	32004-75140	*ROPE	1
11	32004-75150	*KNOB	1
12	70064-75310	STARTER PULLEY	1
13	01511-08051	NUT	1
14	11024-04160	BOLT, SLPW	2
15	19420-00070	LABEL, TRADE	1

* Denotes item is part of an assembly

** Denotes item is part of a sub-assembly

CARBURETOR / AIR FILTER

ILLUSTRATION 6 - REV 07/07



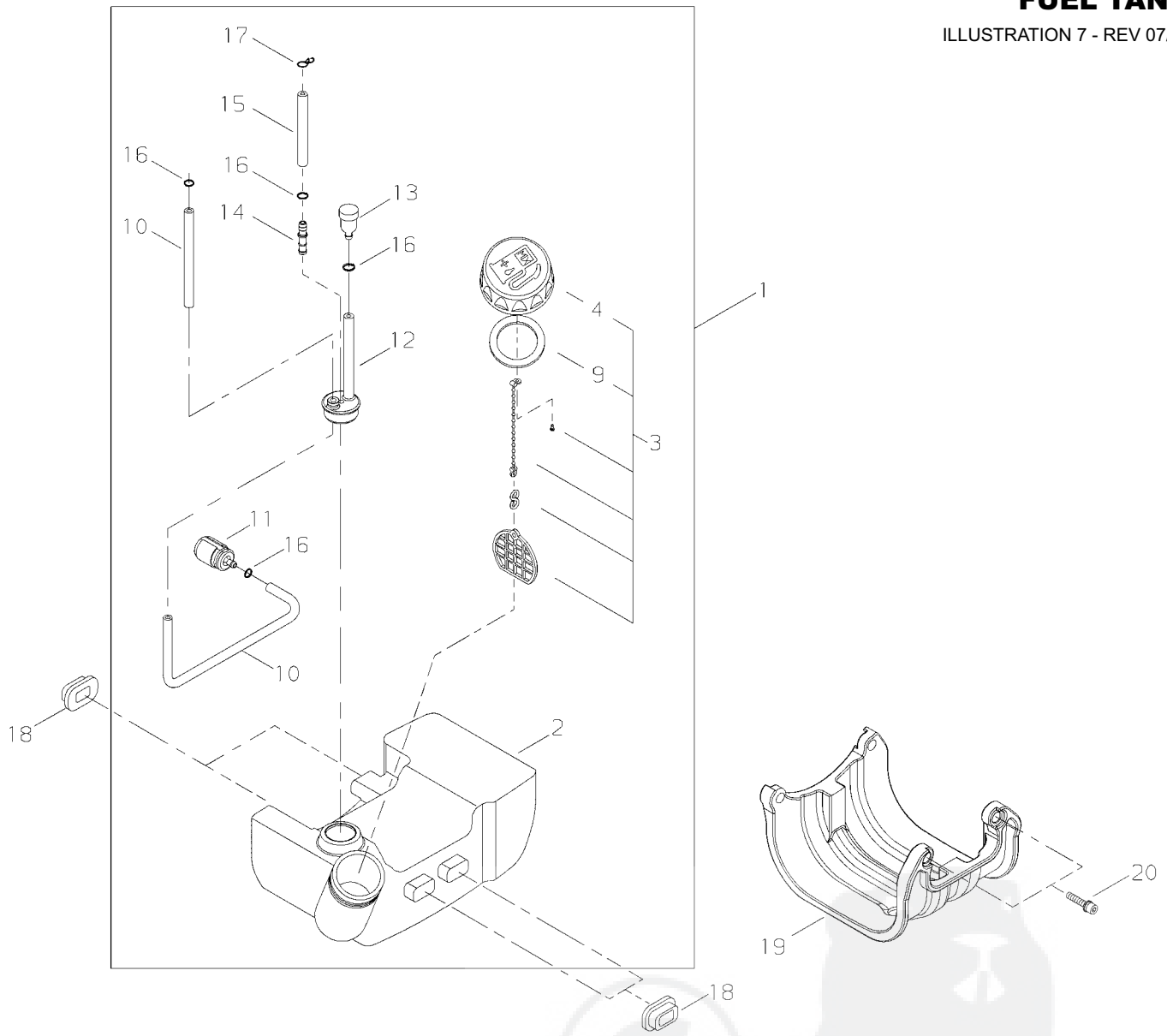
NO.	PART NUMBER	DESCRIPTION	QTY.
6- 1	62908-81011	CARBURETOR ASSY	1
2	72933-81450	*SWIVEL	1
3	20089-81185	*WASHER	1
4	20036-81195	*E-RING	1
5	70064-81290	*SCREW	2
6	37013-81350	**PUMP BODY ASSY	1
7	20016-81420	*PUMP BASE COMP.	1
8	20016-81510	*PUMP COVER	1
9	20036-81670	*PRIMER PUMP	1
10	20016-81140	*SCREW	4
11	20016-81250	*O-RING	1
12	60902-98030	*GASKET SET	1
13	60908-98360	*VALVE SET	1
14	62901-81211	GASKET	1
15	62905-82010	AIR FILTER BASE ASSY	1
16	62902-82120	FILTER	1
17	62902-82030	CLEANER COVER ASSY	1
18	62901-82131	*CLEANER COVER	1
19	62901-82330	*KNOB, AIR FILTER COVER	1
20	11203-05605	SCREW, PM SW	2
21	01613-05080	WASHER	2

* Denotes item is part of an assembly

** Denotes item is part of a sub-assembly

FUEL TANK

ILLUSTRATION 7 - REV 07/07



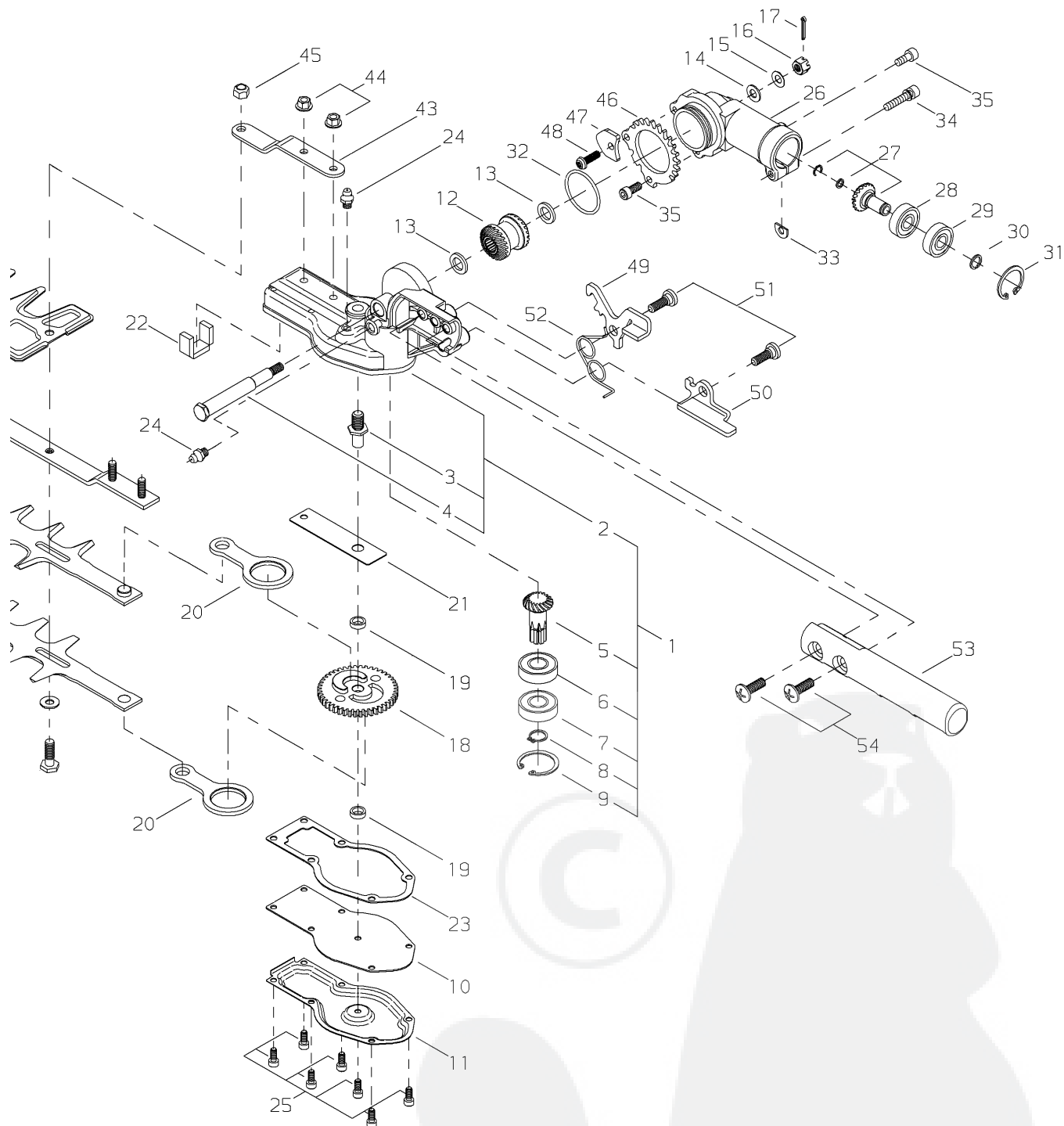
NO.	PART NUMBER	DESCRIPTION	QTY.
7- 1	68906-85310	FUEL TANK ASSY	1
2	62901-85110	*FUEL TANK	1
3	70168-85201	*FUEL CAP ASSY	1
4	70168-85210	**FUEL CAP	1
9	20000-85221	**GASKET	1
10	62901-85310	*FUEL TUBE	1
11	20016-85400	*FUEL FILTER	1
12	20112-85351	*GROMMET	1
13	22197-33960	*VALVE	1
14	72933-85620	*JOINT	1
15	68906-85320	*TUBE	1
16	20020-85540	*CLIP	4
17	37013-85310	*CLIP	1
18	62901-85220	TANK CUSHION	4
19	62902-85320	TANK GUARD	1
20	11022-05200	BOLT, SPW	2

* Denotes item is part of an assembly

** Denotes item is part of a sub-assembly

GEAR CASE

ILLUSTRATION 8 - REV 07/07



NO.	PART NUMBER	DESCRIPTION	QTY.
8-1	63840-61011	GEAR CASE ASSY	1
2	63840-61111	*GEAR CASE	1
3	68120-61320	**MAINSHAFT	1
4	63840-61320	**SHAFT	1
5	63840-61330	*PINION SHAFT	1

* Denotes item is part of an assembly

** Denotes item is part of a sub-assembly

GEAR CASE

ILLUSTRATION 8 - REV 07/07

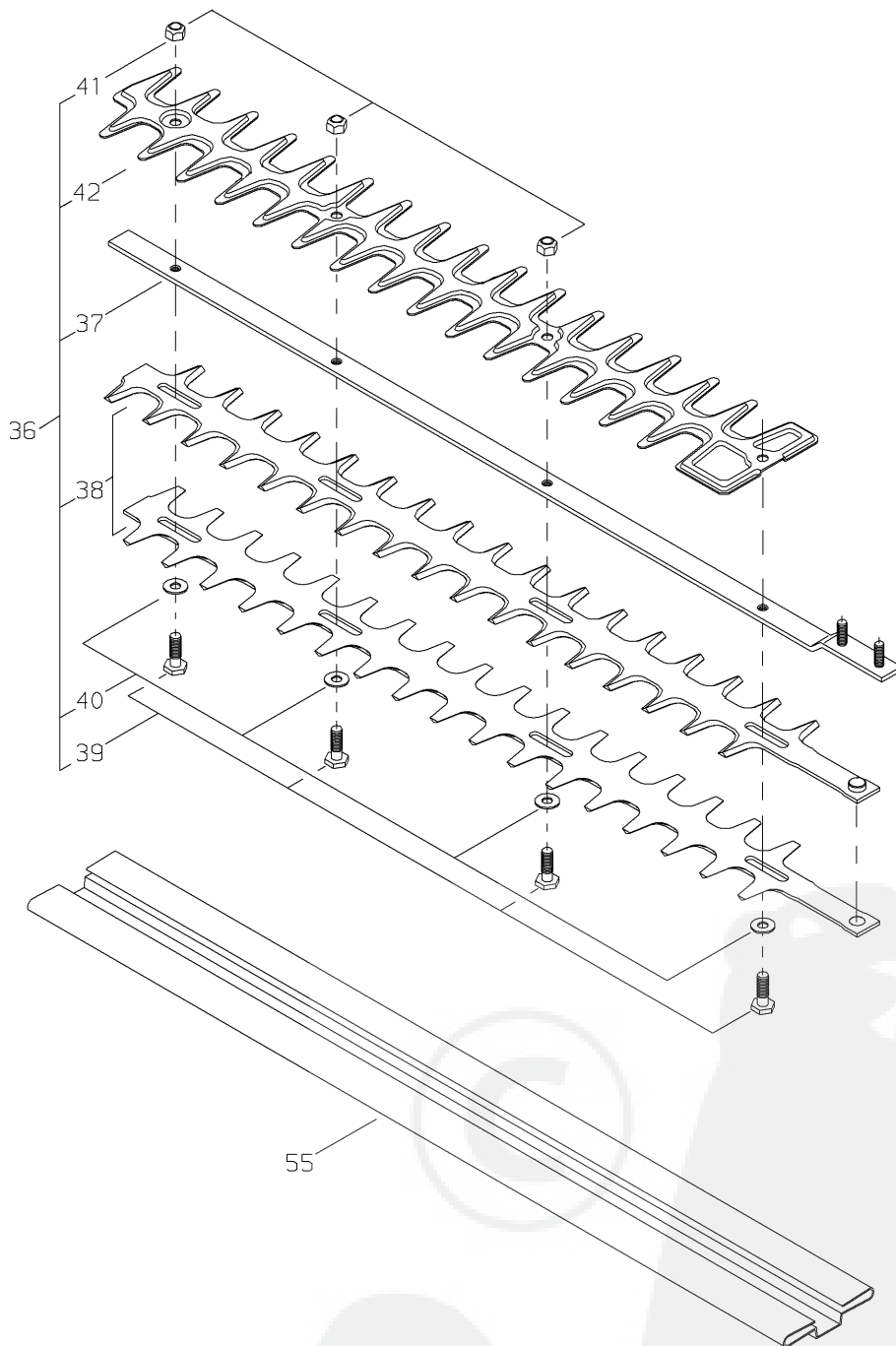
NO.	PART NUMBER	DESCRIPTION	QTY.
6	37074-63310	*BEARING	1
7	02002-06001	*BEARING	1
8	02430-12100	*SNAP RING	1
9	02432-28120	*SNAP RING	1
10	68120-61120	CASE COVER	1
11	63840-61340	COVER	1
12	63840-61350	BEVEL GEAR	1
13	15401-11010	COLLAR	2
14	01613-06100	WASHER	1
15	20024-81790	CONE WASHER	1
16	63840-61370	NUT	1
17	02421-16150	PIN	1
18	68120-61130	CAM GEAR	1
19	15401-10025	COLLAR	2
20	68120-61170	ROD	2
21	68120-61331	PLATE	1
22	68120-61340	PACKING	1
23	68120-61351	GASKET	1
24	20870-61640	GREASE NIPPLE	2
25	01020-04100	BOLT	7
26	63840-63310	GEAR CASE UPPER	1
27	63840-63320	BEVEL PINION	1
28	02000-00609	BEARING	1
29	02002-00609	BEARING	1
30	22420-13350	SNAP RING	1
31	02432-24120	SNAP RING	1
32	02304-03150	O-RING	1
33	22000-13420	SHIM	1
34	11023-05250	BOLT, SW	1
35	01020-05120	BOLT	2
43	68120-62331	HOLDER	1
44	11526-05212	FLANGE NUT	2
45	22011-97840	LOCK NUT	1
46	63840-66310	ADJUST PLATE	1
47	68142-66310	STOPPER PLATE	1
48	68142-66321	SCREW	1
49	63840-66320	LOCK LEVER	1
50	63840-66330	SAFETY LEVER	1
51	22106-71441	RATCHET PIN	2
52	17520-18601	COIL SPRING	1
53	63840-66350	HANDLE	1
54	01215-06208	SCREW TRUSS	2

* Denotes item is part of an assembly

** Denotes item is part of a sub-assembly

CUTTER ASSY

ILLUSTRATION 8A - REV 07/07



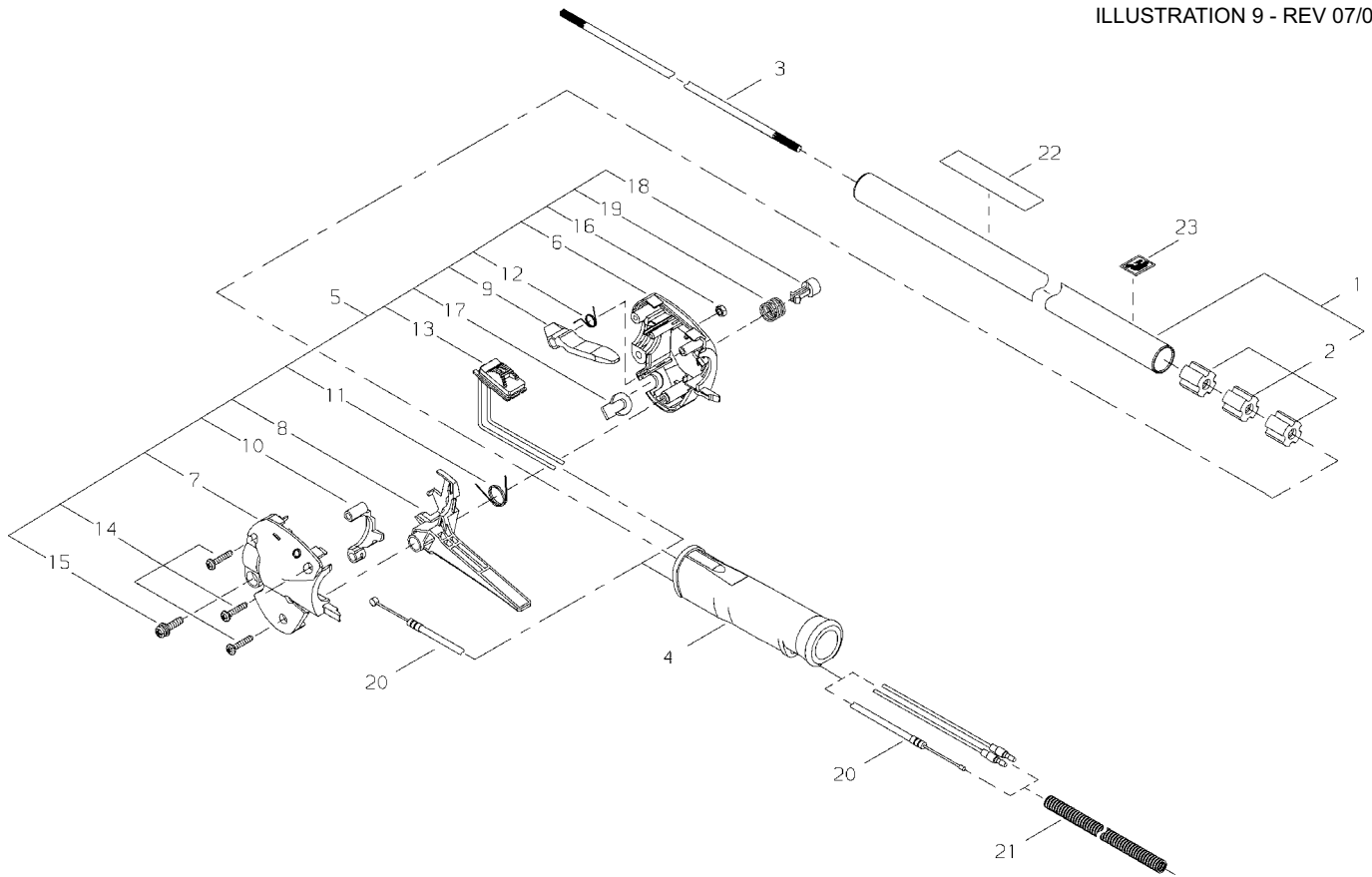
NO.	PART NUMBER	DESCRIPTION	QTY.
8A-36	68142-62010	CUTTER ASSY	1
37	18501-50000	*GUIDE BAR	1
38	18500-50102	*BLADE	2
39	20870-62110	*BOLT	4
40	20870-62131	*WASHER	4
41	22011-97840	LOCK NUT	3
42	68122-62320	PROTECTOR	1
55	19601-01506	BLADE COVER	1

* Denotes item is part of an assembly

** Denotes item is part of a sub-assembly

OUTER PIPE / THROTTLE LEVER

ILLUSTRATION 9 - REV 07/07



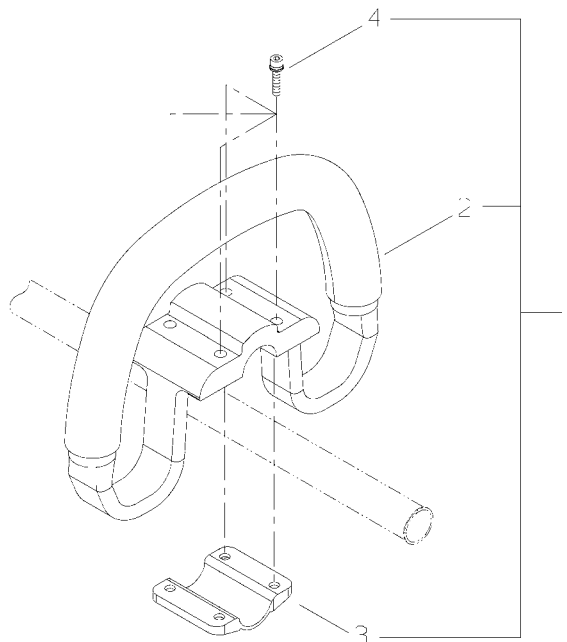
NO.	PART NUMBER	DESCRIPTION	QTY.
9- 1	65005-62010	OUTER PIPE COMP	1
2	22035-12121	*BUSHING	3
3	68142-64310	MAIN SHAFT	1
4	63901-62140	GRIP	1
5	63904-62020	THROTTLE LEVER ASSY	1
6	72549-62320	*BODY, RIGHT	1
7	63002-62330	*BODY, LEFT	1
8	63002-62340	*LEVER	1
9	63901-62352	*LOCK LEVER	1
10	63002-62350	*HOLDER	1
11	63880-65350	*COIL SPRING	1
12	63901-62370	*COIL SPRING	1
13	63901-62380	*SWITCH	1
14	63880-65360	*SCREW, TAPPING	3
15	11206-05201	*SCREW PM SPW	1
16	01501-05030	*NUT	1
17	63880-65411	*PLUG	1
18	70871-65170	*BUTTON	1
19	70871-65180	*COIL SPRING	1
20	63901-62173	THROTTLE CABLE	1
21	63901-62440	TUBE	1
22	19402-00314	LABEL, CAUTION	1
23	19404-00073	LABEL, DECIBEL	1

* Denotes item is part of an assembly

** Denotes item is part of a sub-assembly

HANDLE ASSY

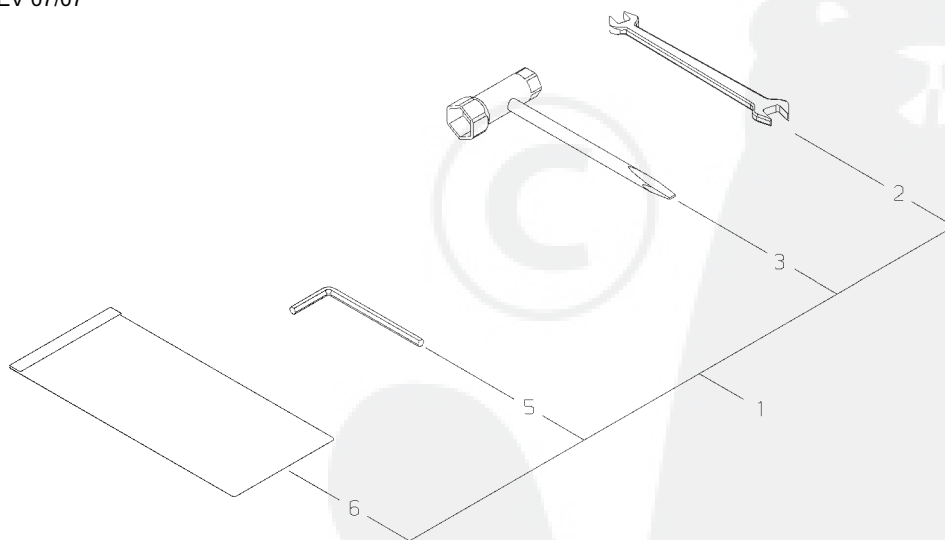
ILLUSTRATION 10 - REV 07/07



NO.	PART NUMBER	DESCRIPTION	QTY.
10-1	62901-64013	HANDLE ASSY	1
2	62901-64113	*HANDLE	1
3	62901-64120	*CLAMP	1
4	11022-05250	*BOLT SPW	4

TOOL SET

ILLUSTRATION 11 - REV 07/07



NO.	PART NUMBER	DESCRIPTION	QTY.
11-1	62901-92010	TOOL SET	1
2	22000-91120	*SPANNER	1
3	22580-91180	*PLUG WRENCH	1
5	09026-04001	*HEX WRENCH (5MM)	1
6	19639-01400	*TOOL BAG	1





shindaiwa[®]

www.shindaiwa.com

11975 SW Herman Road, Tualatin, Oregon 97062, U.S.A.
1 + 503.692.3070 • fax 1 + 503.692.6696

Item #81894 Effective 07/07