

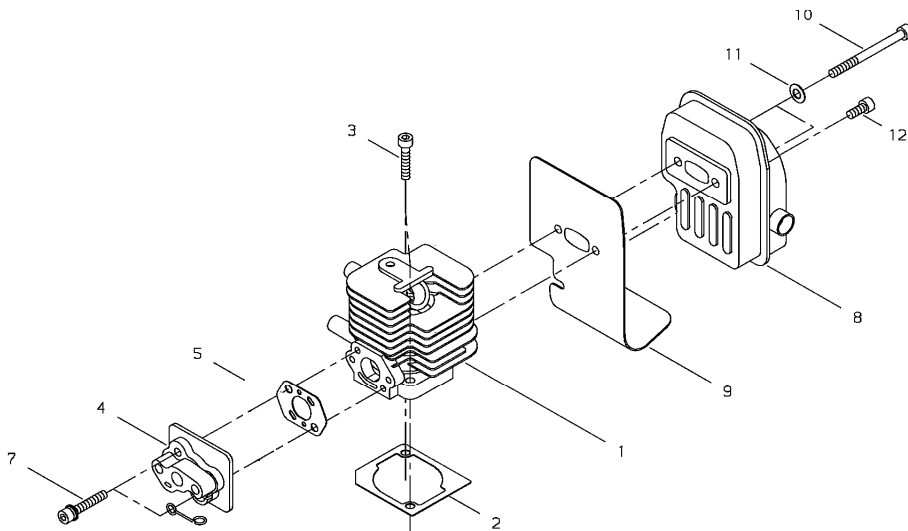
shindaiwa[®]

PARTS CATALOG
SHAFT HEDGE TRIMMER
AH230S EC1



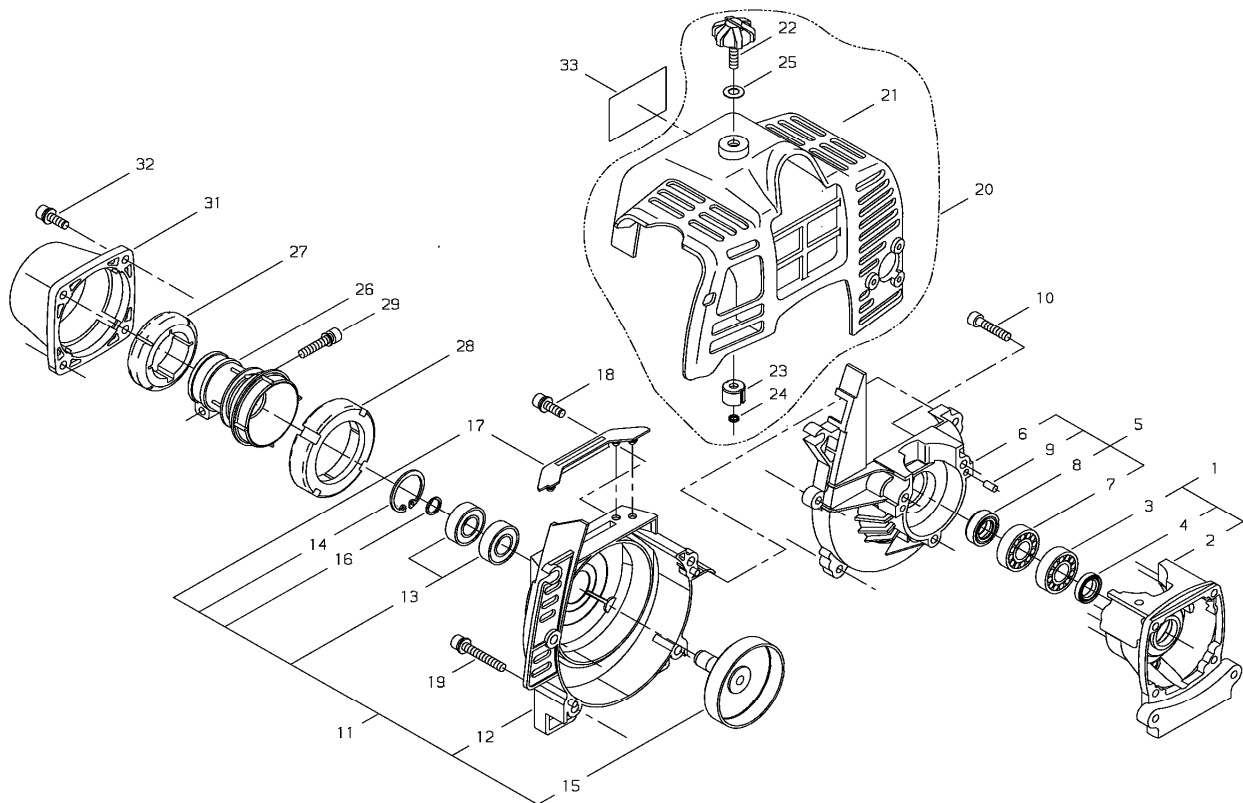
AH230S EC1

1. CYLINDER, MUFFLER



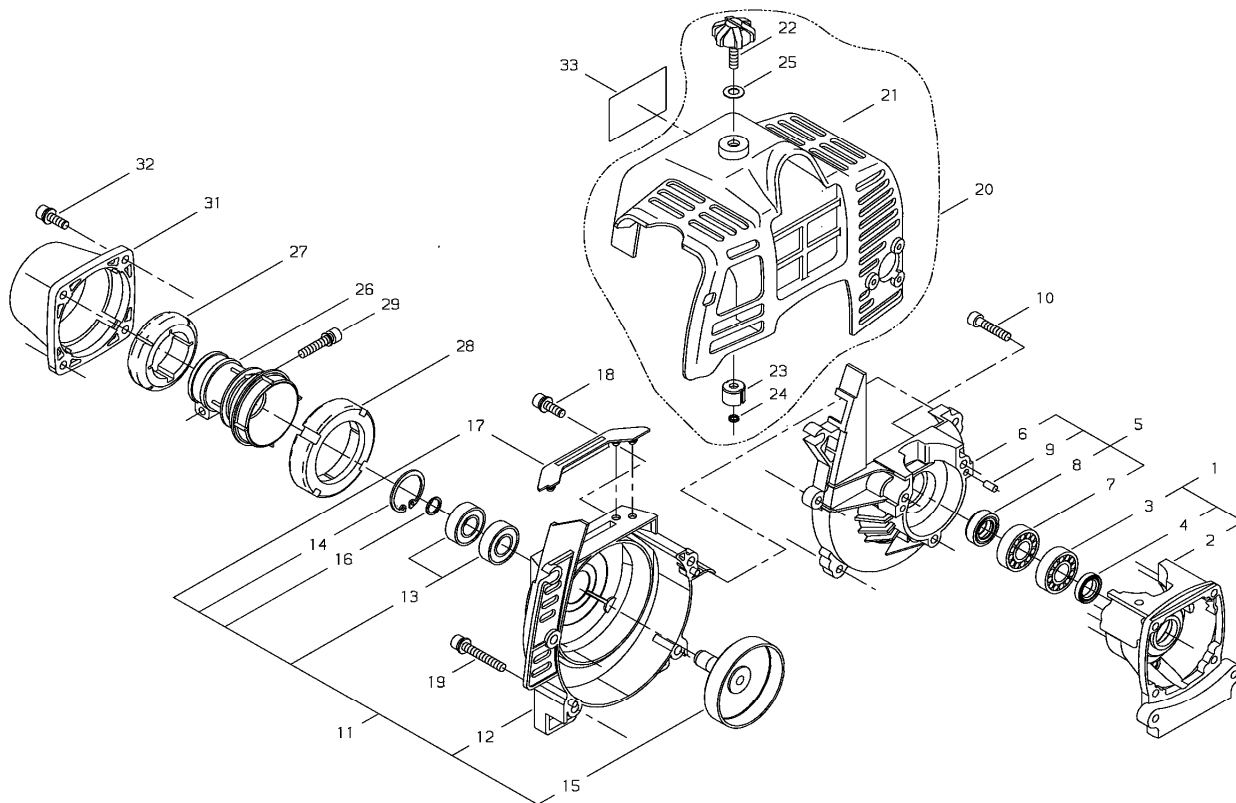
KEY	LV	PART NUMBER	Q'TY	DESCRIPTION	REMARKS	NOTE1	NOTE2
1		62809-12111	1	CYLINDER			
2		20016-12120	1	GASKET			
3		01020-05250	2	BOLT		M5*25	
4		20016-12213	1	INSULATOR			
5		20016-12222	1	GASKET			
7		11022-05300	2	BOLT SW			
8		70135-15110	1	MUFFLER			
9		20016-15123	1	GASKET			
10		01020-05500	2	BOLT		M5*50	
11		01610-05080	2	WASHER		5mm T:0.8 MFZN3-C	
12		01020-05120	1	BOLT	M5*12	M5*12	

2. CRANKCASE



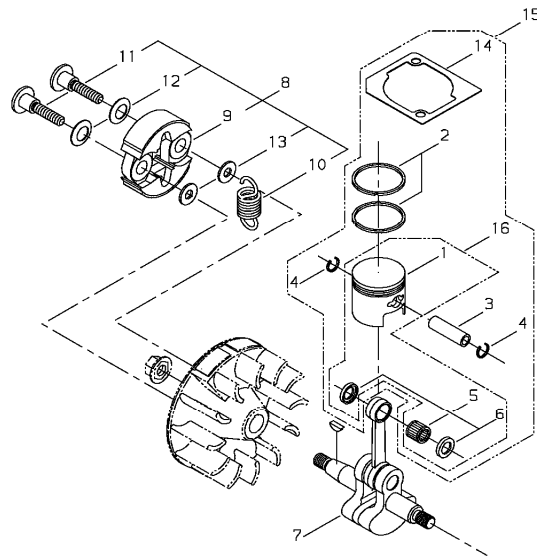
KEY	LV	PART NUMBER	Q'TY	DESCRIPTION	REMARKS	NOTE1	NOTE2
1		20016-21100	1	CRANK CASE S COMP			
2	•	20016-21111	1	CRANK CASE S			
3	•	12900-60010	1	BALL BEARING		6001	
4	•	22150-21250	1	SEAL,OIL			
5		20016-21200	1	CRANK CASE M COMP			
6	•	20016-21120	1	CRANK CASE M			
7	•	12900-60010	1	BALL BEARING		6001	
8	•	20000-21211	1	OIL SEAL			
9	•	12492-40080	2	ROLLER			
10		01020-05250	3	BOLT		M5x25	
11		62010-31011	1	FAN COVER COMP			
12	•	70140-31113	1	FAN COVER			
13	•	02002-06000	2	BALL BEARING		6000ZZ	
14	•	02432-26120	1	SNAP RING		φ26	
15	•	20087-31210	1	CLUTCH DRUM			
16	•	22000-13320	1	SNAP RING			
17	•	70140-31130	1	CUSHION			
18		11022-05160	2	BOLT SPW		M5x16	
19		11022-05450	2	BOLT SPW		M5x45	
20		62010-32010	1	CYLINDER COVER ASSY			
21	•	70140-32111	1	CYLINDER COVER			
22	•	20018-31251	1	KNOB			
23	•	20018-31260	1	INSULATOR			
24	•	20018-31270	1	CLIP			
25	•	20024-81790	1	CONE WASHER			
26		20018-31411	1	JOINT			

2. CRANKCASE



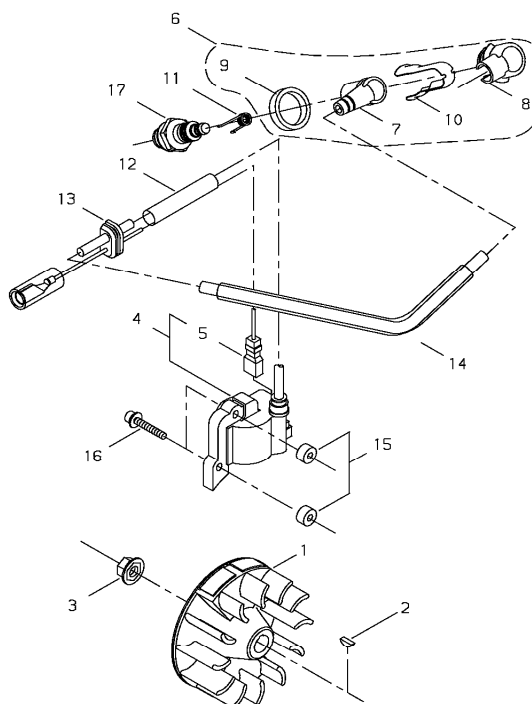
KEY	LV	PART NUMBER	Q'TY	DESCRIPTION	REMARKS	NOTE1	NOTE2
27		20018-31420	1	FRONT CUSHION			
28		20018-31430	1	REAR CUSHION			
29		11023-05250	1	BOLT SW		M5x25	
31		70135-31470	1	CAP			
32		11022-05160	4	BOLT SPW		M5x20	
33		62850-91320	1	LABELTRADE			

3. PISTON, CRANKSHAFT



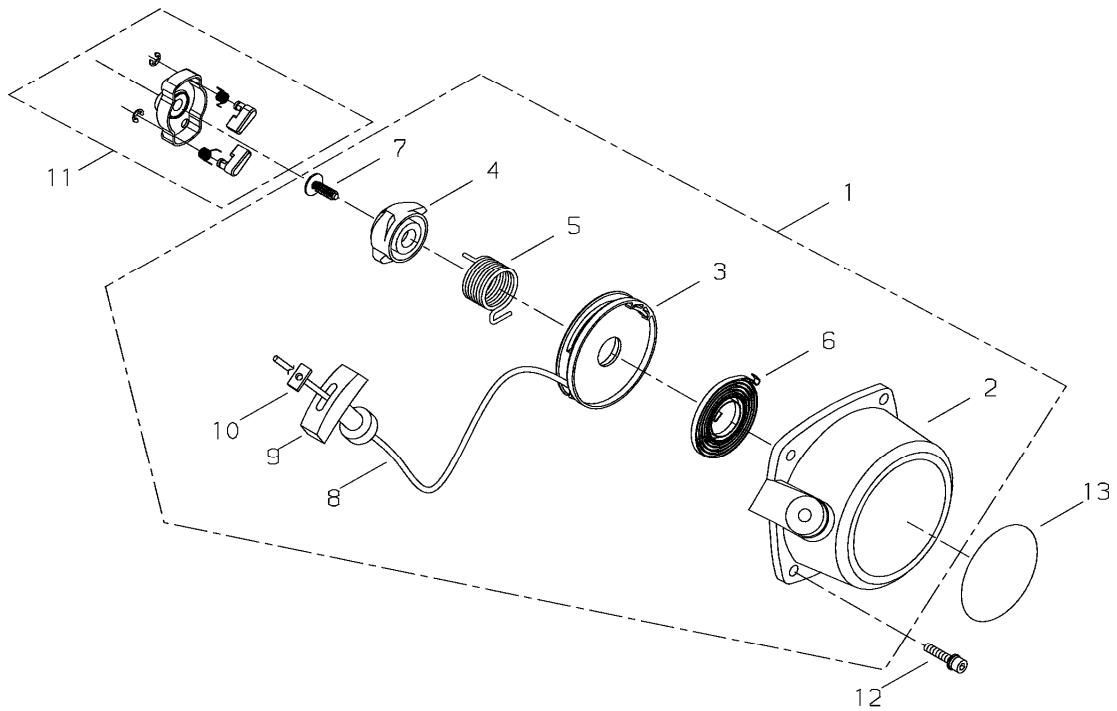
KEY	LV	PART NUMBER	Q'TY	DESCRIPTION	REMARKS	NOTE1	NOTE2
15		70234-98011	1	PISTON SET			
16	•	70234-98310	1	PISTON SET			
1	• •	20075-41111	1	PISTON			
5	• •	37013-41230	1	NEEDLE BEARING			
6	• •	37013-41240	2	THRUST WASHER			
2	•	20000-41210	2	PISTON RING			
3	•	20075-41310	1	PISTON PIN			
4	•	70030-41320	2	RING,END			
7		20016-42002	1	CRANK SHAFT ASSY			
8		70140-51102	1	CLUTCH SHOE ASSY			
9	•	70140-51113	2	CLUTCH SHOE			
10	•	37013-51310	1	COIL SPRING			
11	•	20087-51210	2	BOLT			
12	•	20087-51231	2	SPRING PLATE			
13	•	22100-71430	2	WASHER			
14	•	20016-12120	1	GASKET			

4. MAGNETO



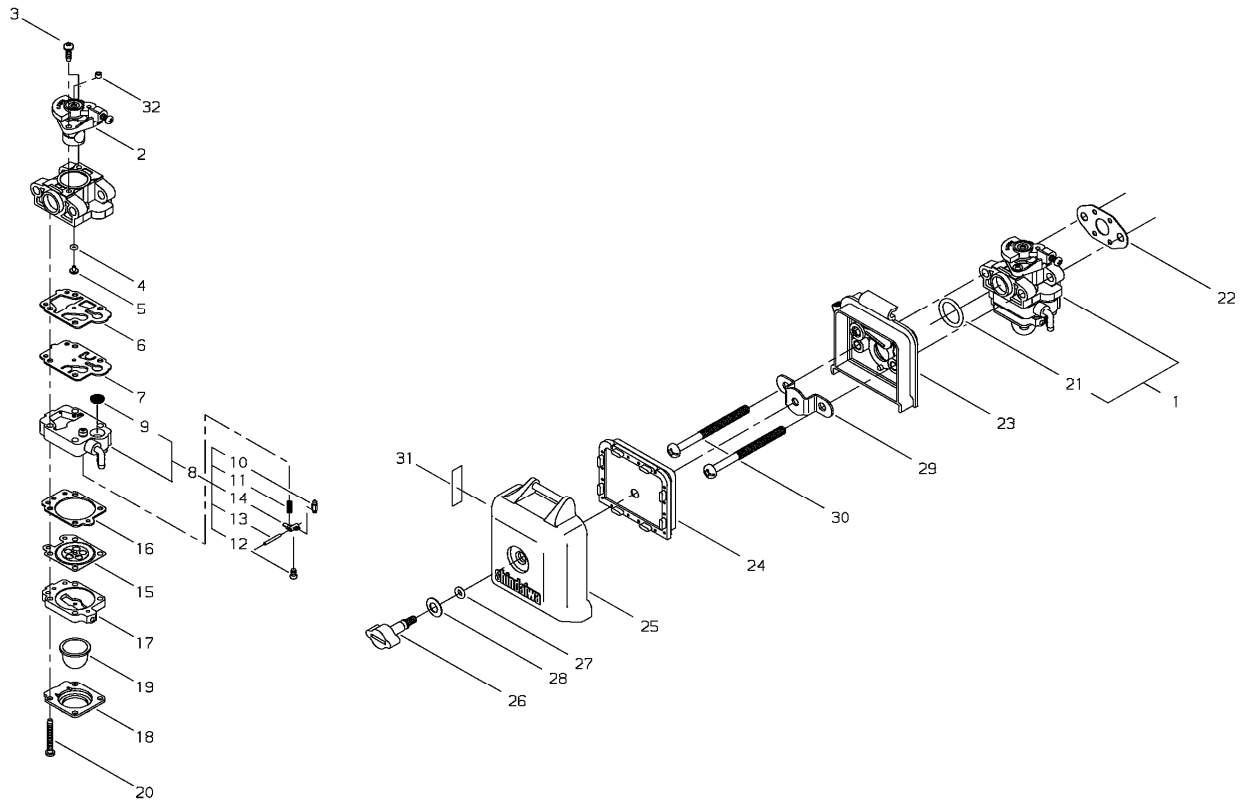
KEY	LV	PART NUMBER	Q'TY	DESCRIPTION	REMARKS	NOTE1	NOTE2
1		20016-71200	1	ROTOR			
2		02403-03100	1	KEY	3*10		
3		20035-71220	1	NUT			
4		20016-71601	1	COIL ASSY			
5		20016-71641	1	CORD			
6		70223-72200	1	PLUG CAP COMP			
7		20010-72221	1	PLUG CAP			
8		20000-72241	1	PLUG CAP COVER			
9		20000-72250	1	COVER BAND			
10		70180-72260	1	SHIELD			
11		20000-72230	1	SPRING SPARK PLUG			
12		20016-71651	1	TUBE		L50	
13		20010-72110	1	GROMMET			
14		20016-71660	1	TUBE		L125	
15		70030-71620	2	INSULATOR			
16		11024-04261	2	BOLT		M4x26	
17		13000-13406	1	SPARK PLUG BMR6A		BMR6A	

5. RECOIL STARTER



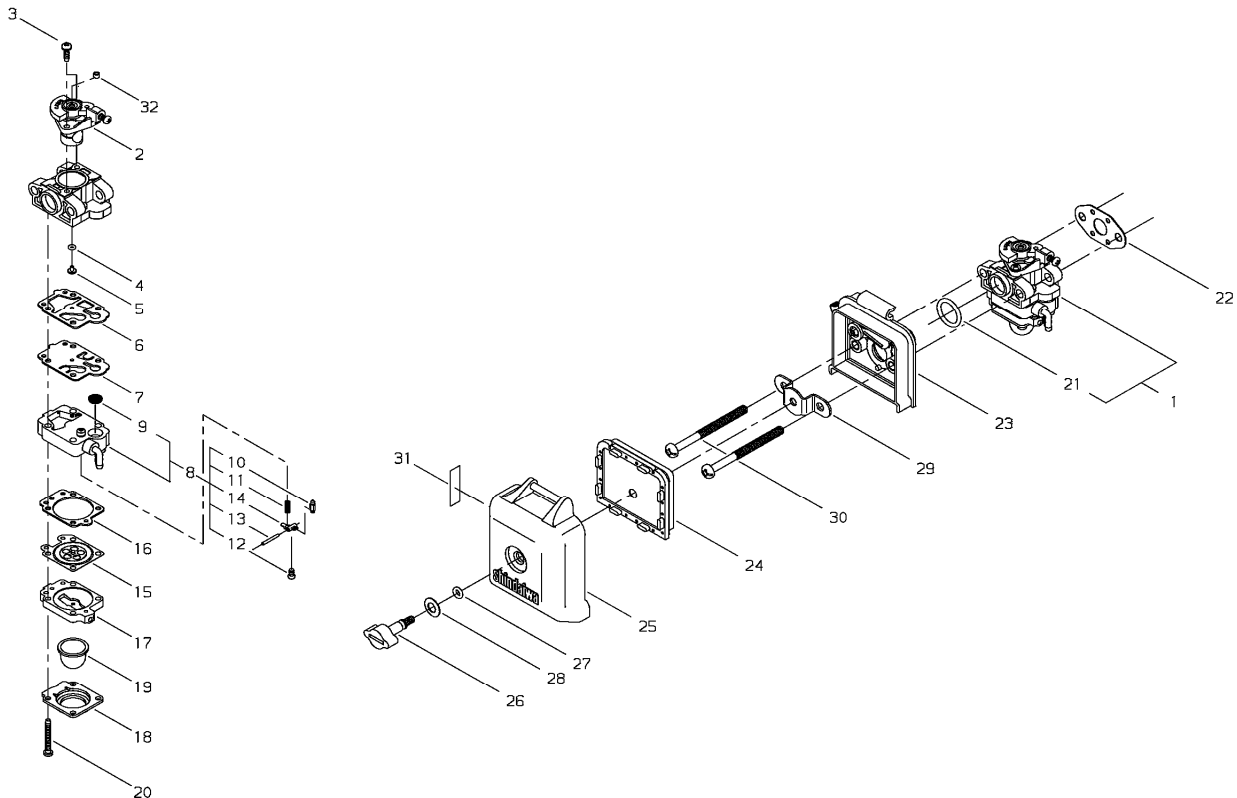
KEY	LV	PART NUMBER	Q'TY	DESCRIPTION	REMARKS	NOTE1	NOTE2
1		37076-75010	1	RECOIL STARTER ASSY			
2	•	37076-75110	1	STARTER CASE			
3	•	37076-75120	1	REEL			
4	•	37076-75310	1	CAM			
5	•	37076-75320	1	COIL SPRING			
6	•	70030-75130	1	RECOIL SPRING			
7	•	37013-75310	1	SCREW			
8	•	37076-75140	1	ROPE			
9	•	20010-75190	1	STARTER KNOB			
10	•	20010-75210	1	STOPPER			
11		62110-75020	1	STARTER PULLY ASSY			
12		11060-04122	4	BOLT ADHESIVE		M4x12	
13		70117-75311	1	NAME PLATE			

6. CARBURETOR



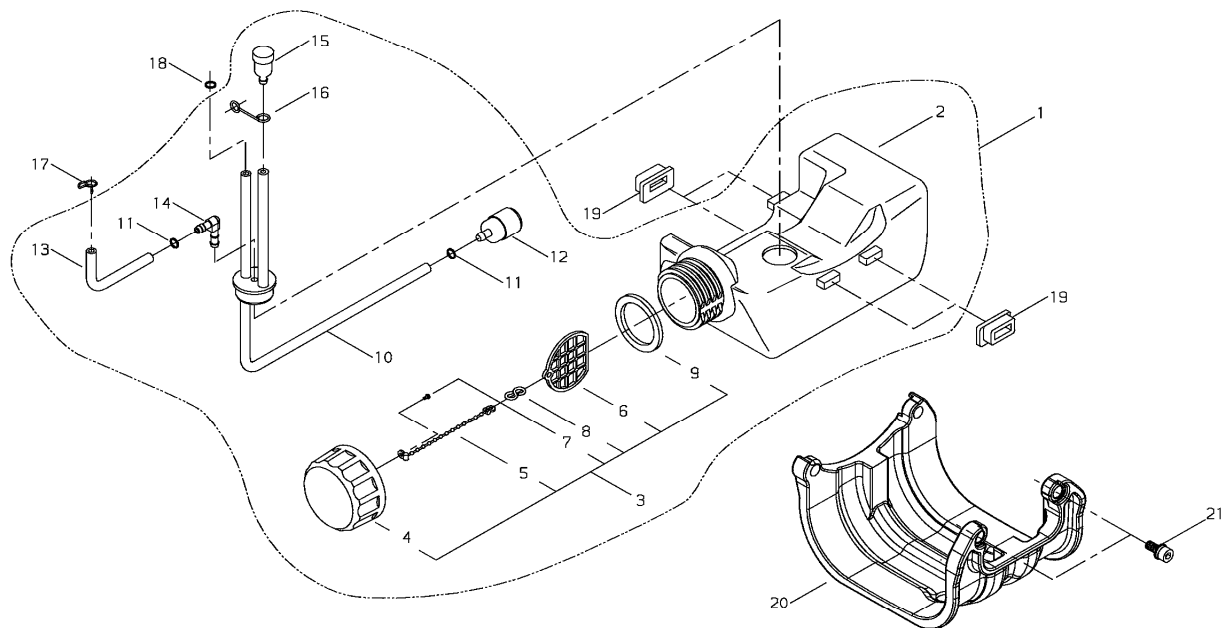
KEY	LV	PART NUMBER	Q'TY	DESCRIPTION	REMARKS	NOTE1	NOTE2
1		62064-81011	1	CARBURETOR ASSY			
2	▪	20016-81180	1	VALVE ASSY			
32	▪	62074-81320	1	PLAG			
3	▪	70064-81290	2	SCREW	M3*10		
4	▪	70097-81220	1	O-RING			
5	▪	62064-81310	1	MAIN JET			
6	▪	70097-81310	1	GASKET,PUMP			
7	▪	70097-81320	1	DIAPHRAGM			
8	▪	20016-81410	1	PUMP BODY COMP			
9	▪	70030-81380	1	SCREEN			
10	▪	20036-81440	1	VALVE			
11	▪	20016-81270	1	SPRING			
12	▪	20016-81450	1	SCREW			
13	▪	22100-81250	1	PIN			
14	▪	22100-81230	1	LEVER, METERING			
15	▪	37013-81310	1	DIAPHRAGM			
16	▪	20016-81280	1	GASKET			
17	▪	20016-81420	1	PUMP BASE COMP			
18	▪	20016-81510	1	PUMP COVER			
19	▪	20036-81670	1	PRIMER PUMP			
20	▪	20016-81140	4	SCREW			
21	▪	20016-81250	1	O RING			
22		20016-81530	1	GASKET			
23		70140-81710	1	CLEANER BODY COMP			
24		60023-98031	1	FILTER			
25		70140-81760	1	CLEANER COVER			

6. CARBURETOR



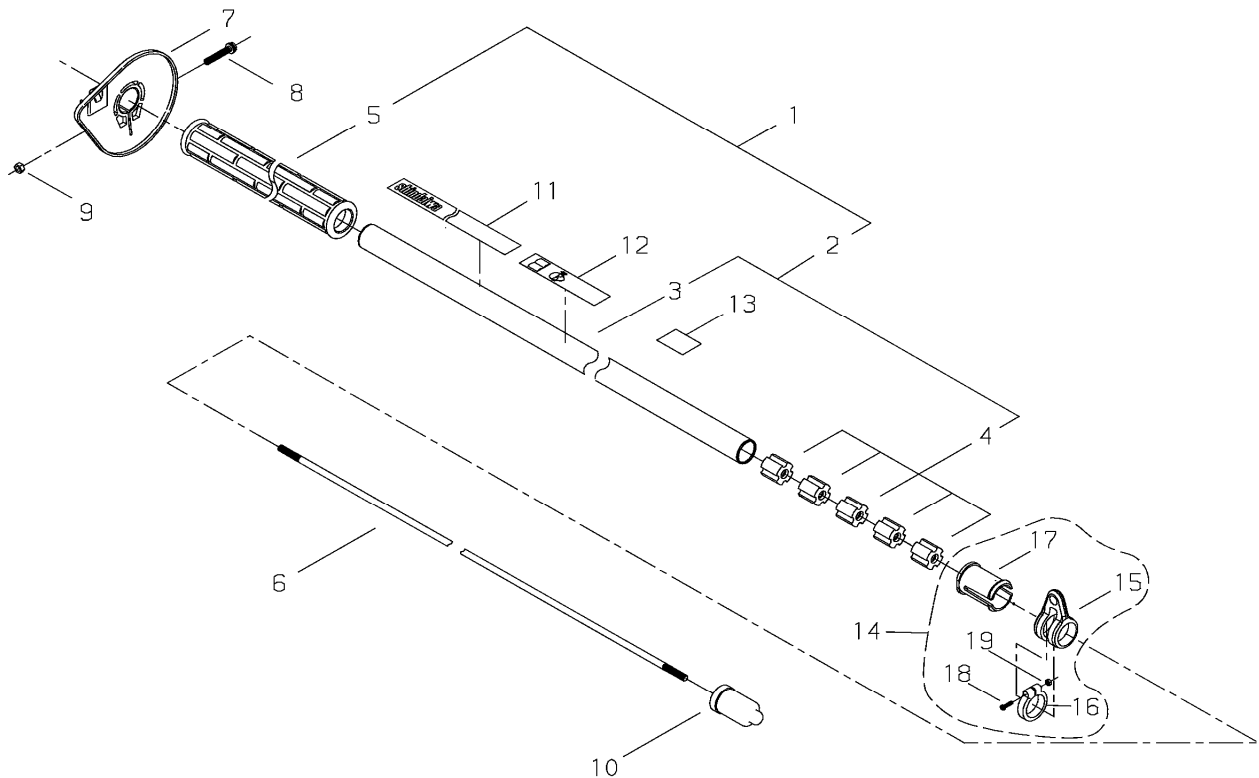
KEY	LV	PART NUMBER	Q'TY	DESCRIPTION	REMARKS	NOTE1	NOTE2
26		20115-81780	1	KNOB CLEANER COVER			
27		22100-82430	1	O RING			
28		20024-81790	1	CONE WASHER			
29		20018-81721	1	BACK PLATE			
30		11203-05608	2	SCREW PM SW		M5x60	
31		19404-00008	1	LABEL CHOKE			

7. FUEL TANK



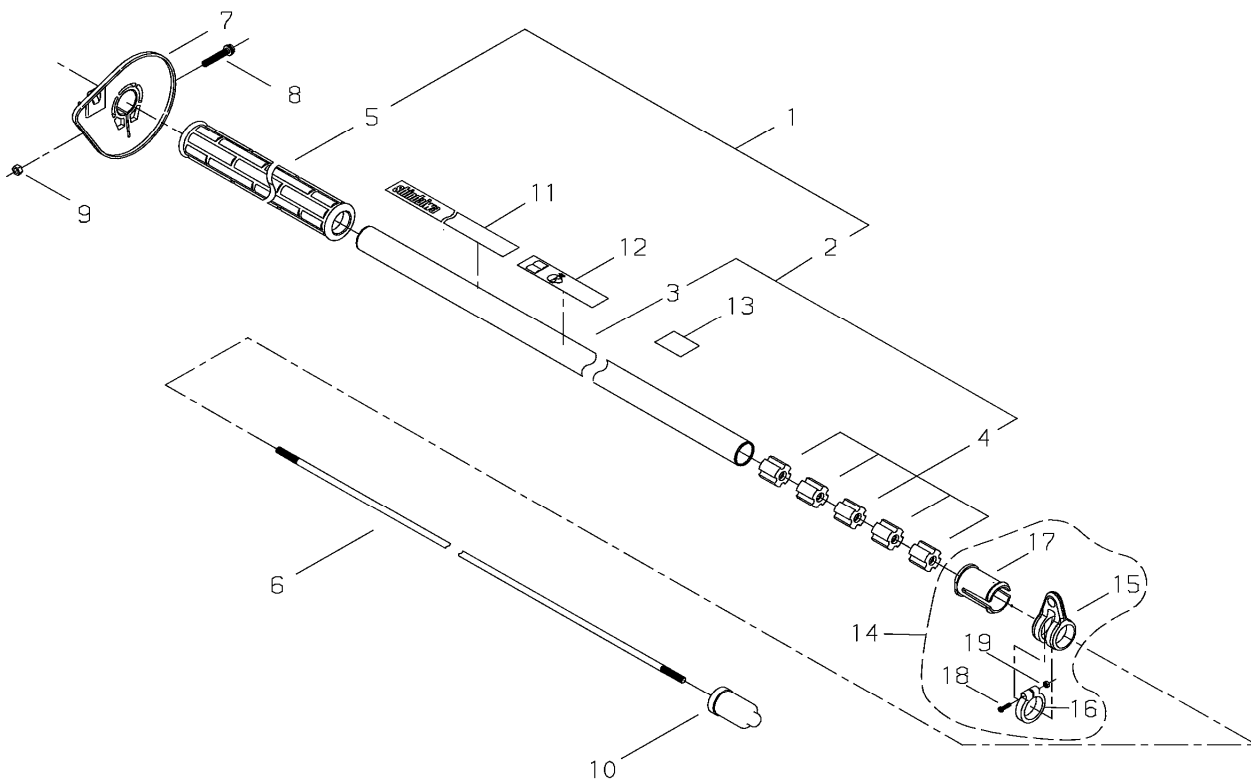
KEY	LV	PART NUMBER	Q'TY	DESCRIPTION	REMARKS	NOTE1	NOTE2
1		70192-85001	1	FUEL TANK ASSY			
2	•	20016-85112	1	FUEL TANK			
3	•	70168-85201	1	FUEL CAP ASSY			
4	• •	70168-85210	1	FUEL CAP			
5	• •	22128-57250	1	CHAIN CAP			
6	• •	22155-21330	1	HOOK			
7	• •	01270-25064	1	SCREW TAPPING			
8	• •	22150-21350	1	CLIP			
9	• •	20000-85221	1	GASKET			
10	•	20016-85310	1	FUEL PIPE			
11	•	20020-85540	2	CLIP			
12	•	20016-85400	1	FUEL FILTER			
13	•	20089-83311	1	PIPE			
14	•	20087-85340	1	JOINT, PIPE			
15	•	20035-85522	1	VALVE			
16	•	20016-12310	1	VALVE HOLDER			
17		37013-85310	1	CLIP			
18		20020-85540	1	CLIP			
19		20024-86120	4	TANK CUSHION			
20		62902-85320	1	TANK GUARD			
21		11022-05160	2	BOLT SPW		M5x16	

8. CUTTER



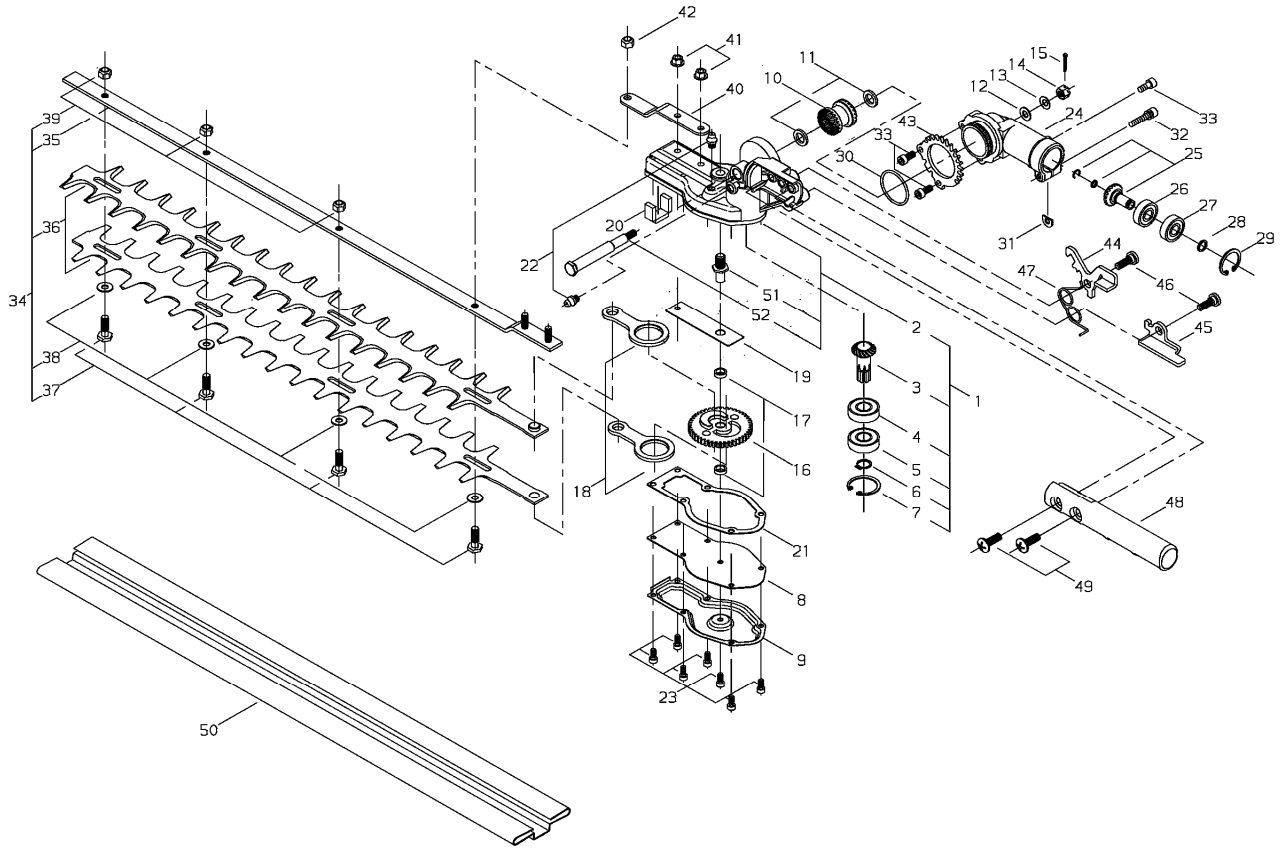
KEY	LV	PART NUMBER	Q'TY	DESCRIPTION	REMARKS	NOTE1	NOTE2
1		72432-12100	1	OUTER PIPE SUB ASSY			
2	•	22035-12121	5	BUSH			
3		63901-62142	1	GRIP			
4		22070-12410	1	MAIN SHAFT			
5		33008-62340	1	HANGER ASSY			
6	•	33008-62321	1	COLLAR			
7	•	33008-62151	1	HANGER			
8	•	33008-62311	1	CLAMP			
9	•	11203-04160	1	SCREW PM		M4*16	
10	•	01500-04031	1	NUT		M4 MFZN3-C	
11		65006-62310	1	PROTECTOR			
12		63076-62021	1	THROTTLE LEVER ASSY			
13	•	63002-62320	1	BODY RIGHT			
14	•	63002-62330	1	BODY LEFT			
15	•	63002-62340	1	LEVER			
16	•	63901-62352	1	LOCK LEVER			
17	•	63002-62350	1	HOLDER			
18	•	63880-65350	1	COIL SPRING			
19	•	63901-62370	1	COIL SPRING			
20	•	63076-62310	1	SWITCH			
21	•	63880-65360	3	SCREW TAPPING			
22	•	11206-05201	1	SCREW PM SPW		M5*20	
23	•	01501-05030	1	NUT	M5		
24	•	63880-65411	1	PLUG			
25		63002-62170	1	THROTTLE CABLE			
26		01501-06041	2	NUT	M6	M6 MFZN3-C	

8. CUTTER



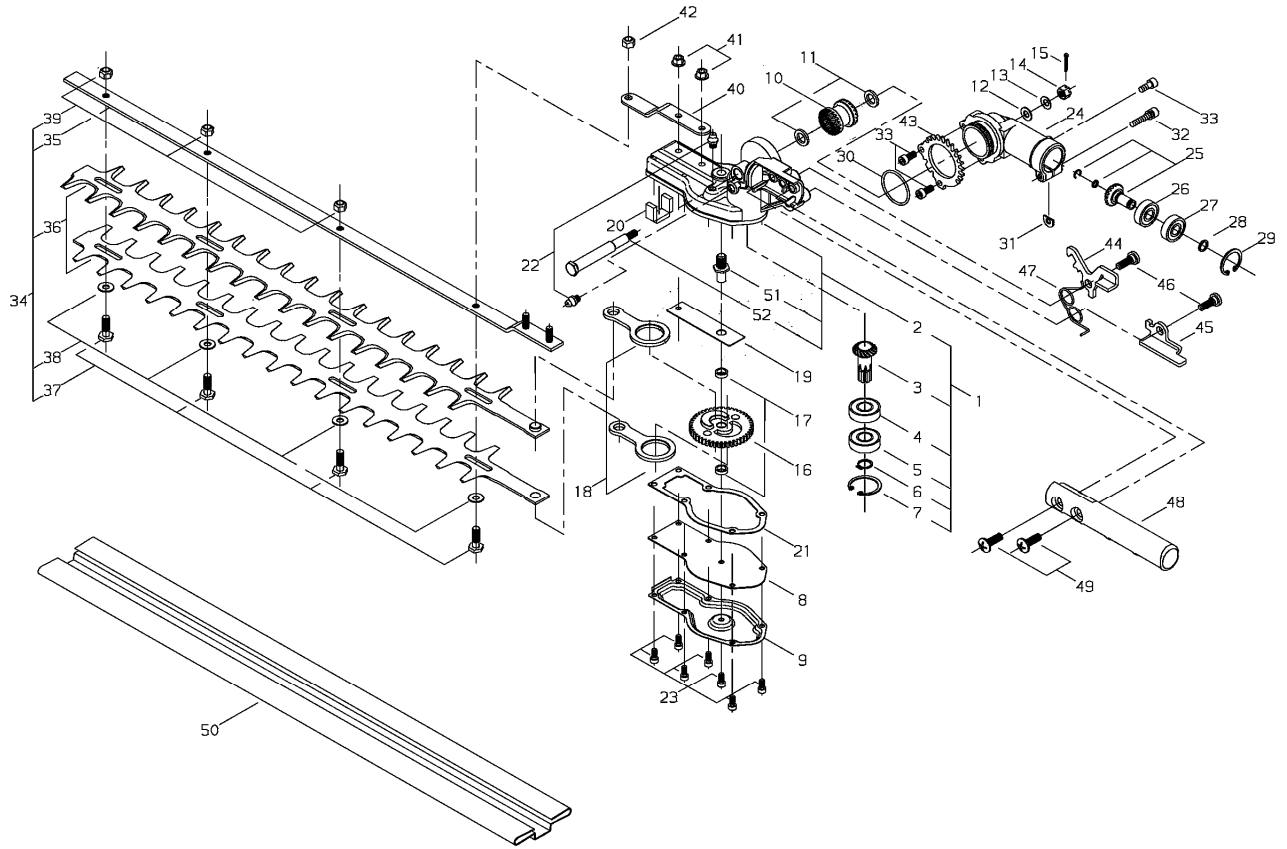
KEY	LV	PART NUMBER	Q'TY	DESCRIPTION	REMARKS	NOTE1	NOTE2
27		22422-14540	1	TUBE			
28		19402-00223	1	LABEL CAUTION		MAX 8500MIN-1	
29		19422-00010	1	LABEL CAUTION			
30		19404-00036	1	LABEL DECIBEL		111dB(A)	
31		72017-12150	1	HANDLE LABEL			

9. OUTER PIPE



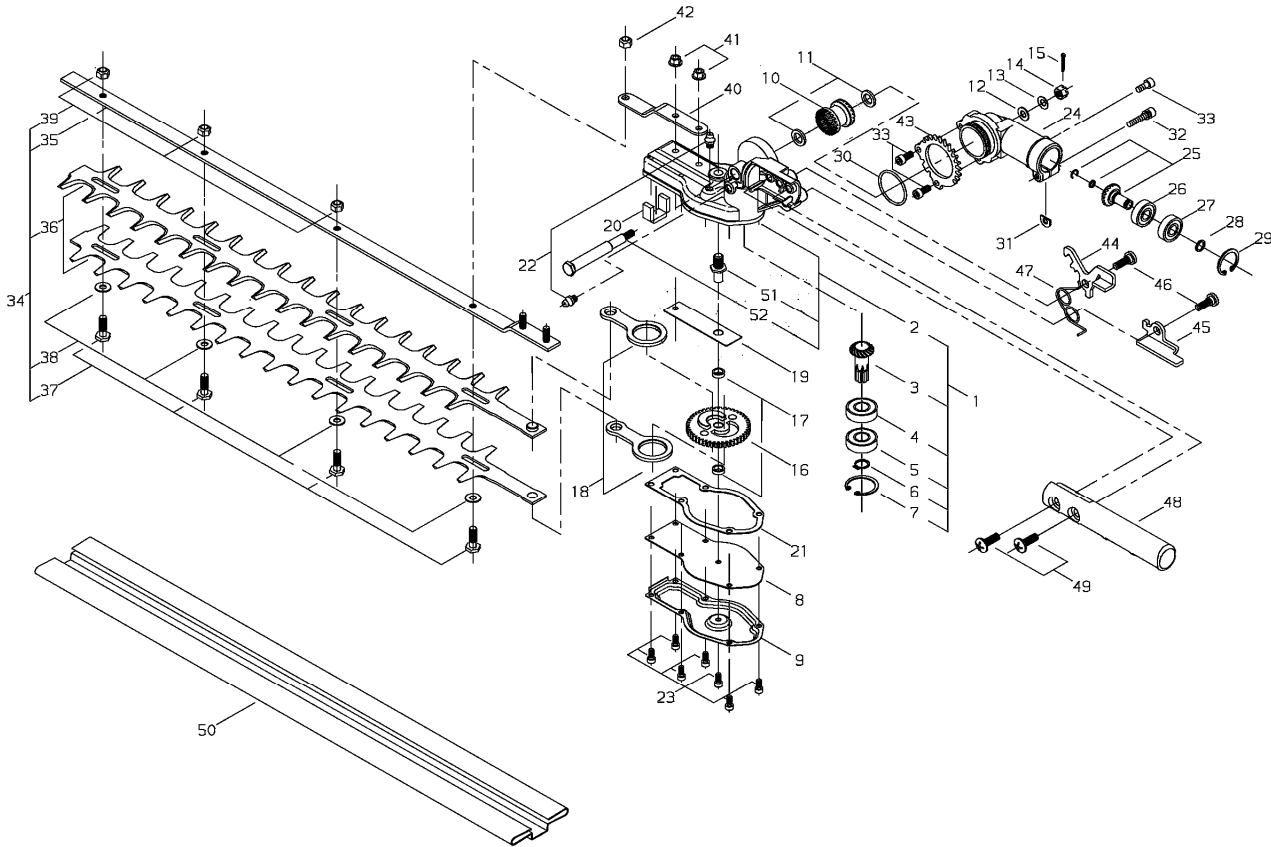
KEY	LV	PART NUMBER	Q'TY	DESCRIPTION	REMARKS	NOTE1	NOTE2
1		63840-61011	1	GEAR CASE COMP			
2	•	63840-61111	1	GEAR CASE			
51	••	68120-61320	1	MAIN SHAFT			
52	••	63840-61320	1	SHAFT			
3	•	63840-61330	1	PINION SHAFT			
4	•	02000-06001	1	BEARING		6001	
5	•	02002-06001	1	BEARING		6001ZZ	
6	•	02430-12100	1	SNAP RING			
7	•	02432-28120	1	SNAP RING			
8		68120-61120	1	CASE COVER			
9		63840-61340	1	COVER			
10		63840-61350	1	BEVEL GEAR			
11		15401-11010	2	COLLAR			
12		01613-06100	1	WASHER		φ6	
13		20024-81790	1	CONE WASHER			
14		63840-61370	1	NUT			
15		02421-16150	1	PIN		1.6X15	
16		68120-61130	1	CAM GEAR			
17		15401-10025	2	COLLAR			
18		68120-61170	2	ROD			
19		68120-61331	1	PLATE			
20		68120-61340	1	PACKING			
21		68120-61351	1	GASKET			
22		20870-61640	2	GREASE NIPPLE			
23		01020-04100	7	BOLT		M4X10	
24		63840-63310	1	GEAR CASE UPPER			

9. OUTER PIPE



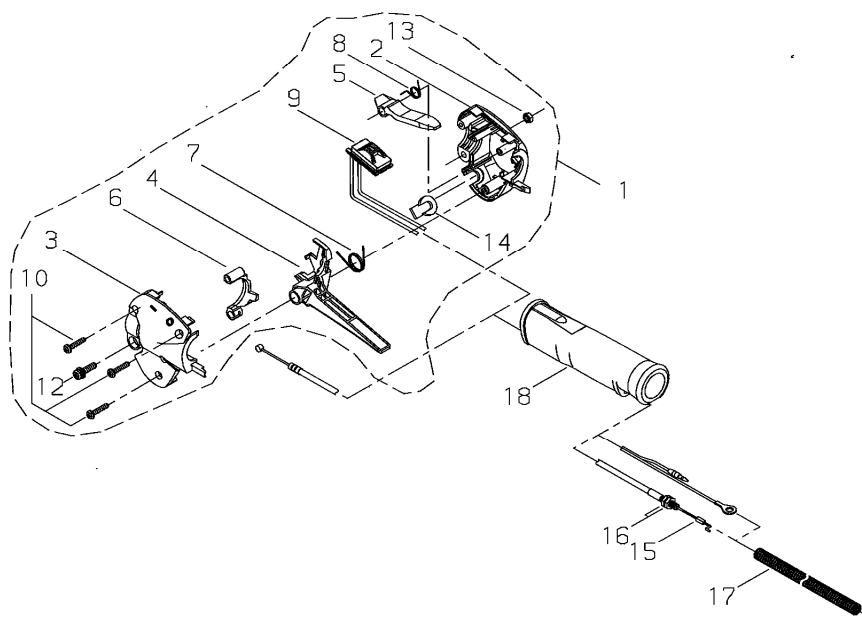
KEY	LV	PART NUMBER	Q'TY	DESCRIPTION	REMARKS	NOTE1	NOTE2
25		63840-63320	1	BEVEL PINION			
26		02000-00609	1	BEARING		609	
27		02002-00609	1	BEARING		609ZZ	
28		22420-13350	1	SNAP RING			
29		02432-24120	1	SNAP RING			
30		02304-03150	1	O RING		S31.5	
31		22000-13420	1	SHIM			
32		11023-05250	1	BOLT SW		M5X25	
33		01020-05120	3	BOLT	M5*12	M5X12	
34		68120-62010	1	CUTTER ASSY		CARB · EPA ·	
34		38121-62010	1	CUTTER ASSY		CE · YB	
35		18501-50000	1	GUIDE BAR			
36		18500-50100	2	BLADE		CARB · EPA ·	
36		18500-50102	2	BLADE		EPA2 · EMC	
37		20870-62110	4	BOLT		CE · YB	
38		20870-62131	4	WASHER			
39		22011-97840	3	LOCK NUT		M6	
40		68120-62331	1	HOLDER			
41		11526-05212	2	FLANGE NUT		M5	
42		22011-97840	1	LOCK NUT		M6	
43		63840-66310	1	ADJUST PLATE			
44		63840-66320	1	LOCK LEVER			
45		63840-66330	1	SAFTY LEVER			
46		22106-71441	2	PIN RATCHET			
47		17520-18601	1	COIL SPRING			

9. OUTER PIPE



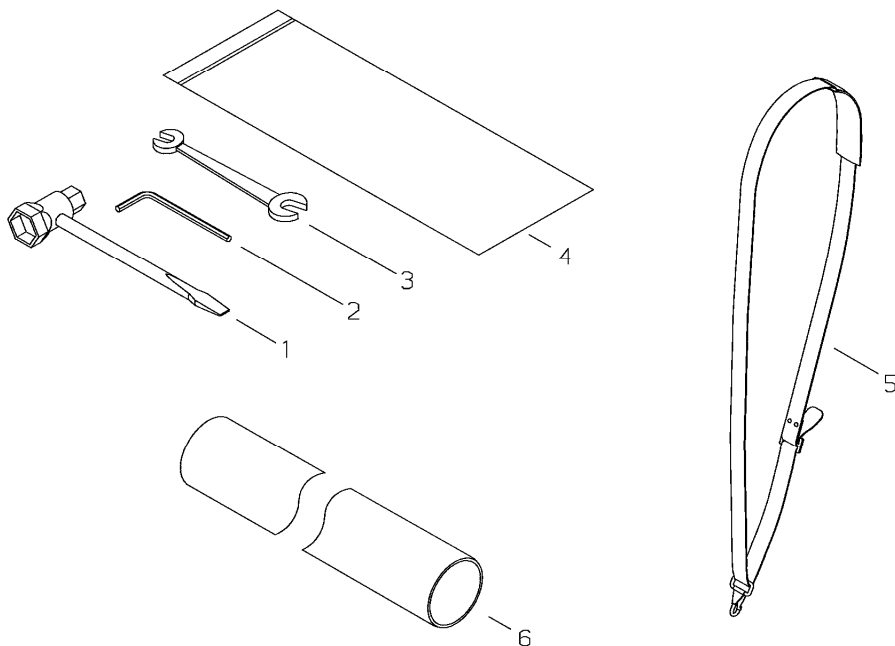
KEY	LV	PART NUMBER	Q'TY	DESCRIPTION	REMARKS	NOTE1	NOTE2
48		63840-66350	1	HANDLE			
49		01215-06208	2	SCREW TRUSS		M6X20	
50		19601-01506	1	BLADE COVER			

10. THROTTLE LEVER



KEY	LV	PART NUMBER	Q'TY	DESCRIPTION	REMARKS	NOTE1	NOTE2
1		63076-62021	1	THROTTLE LEVER ASSY			
2		63002-62320	1	BODY RIGHT			
3		63002-62330	1	BODY LEFT			
4		63002-62340	1	LEVER			
5		63901-62352	1	LOCK LEVER			
6		63002-62350	1	HOLDER			
7		63880-65350	1	COIL SPRING			
8		63901-62370	1	COIL SPRING			
9		63076-62310	1	SWITCH			
10		63880-65360	3	SCREW TAPPING			
12		11206-05201	1	SCREW PM SPW		M5*20	
13		01501-05030	1	NUT	M5	25305322100A	
14		63880-65411	1	PLUG			
15		63023-62170	1	THROTTLE CABLE			
16		01501-06041	2	NUT	M6	M6 MFZN3-C	
17		22422-14540	1	TUBE			
18		63901-62142	1	GRIP			

11. TOOL



KEY	LV	PART NUMBER	Q'TY	DESCRIPTION	REMARKS	NOTE1	NOTE2
1		22150-91410	1	PLUG WRENCH		13*19	
2		09026-04001	1	HEXA WRENCH	4MM M5㉿	4mm	
3		22000-91120	1	SPANNER		8*10	
4		19639-01100	1	POLY BAG		115*175 t0.04	
5		22421-17202	1	STRAP ASSY			
6		60880-98050	1	COLLAR			

Index

Patrs Number	Key No.	Patrs Number	Key No.	Patrs Number	Key No.
01020-04100	9 - 23	18500-50100	9 - 36	20018-31260	2 - 23
01020-05120	1 - 12	18500-50102	9 - 36	20018-31270	2 - 24
01020-05120	9 - 33	18501-50000	9 - 35	20018-31411	2 - 26
01020-05250	1 - 3	19402-00223	8 - 28	20018-31420	2 - 27
01020-05250	2 - 10	19404-00008	6 - 31	20018-31430	2 - 28
01020-05500	1 - 10	19404-00036	8 - 30	20018-81721	6 - 29
01215-06208	9 - 49	19422-00010	8 - 29	20020-85540	7 - 11
01270-25064	7 - 7	19601-01506	9 - 50	20020-85540	7 - 18
01500-04031	8 - 10	19639-01100	11 - 4	20024-81790	2 - 25
01501-05030	8 - 23	20000-21211	2 - 8	20024-81790	6 - 28
01501-05030	10 - 13	20000-41210	3 - 2	20024-81790	9 - 13
01501-06041	8 - 26	20000-72230	4 - 11	20024-86120	7 - 19
01501-06041	10 - 16	20000-72241	4 - 8	20035-71220	4 - 3
01610-05080	1 - 11	20000-72250	4 - 9	20035-85522	7 - 15
01613-06100	9 - 12	20000-85221	7 - 9	20036-81440	6 - 10
02000-00609	9 - 26	20010-72110	4 - 13	20036-81670	6 - 19
02000-06001	9 - 4	20010-72221	4 - 7	20075-41111	3 - 1
02002-00609	9 - 27	20010-75190	5 - 9	20075-41310	3 - 3
02002-06000	2 - 13	20010-75210	5 - 10	20087-31210	2 - 15
02002-06001	9 - 5	20016-12120	1 - 2	20087-51210	3 - 11
02304-03150	9 - 30	20016-12120	3 - 14	20087-51231	3 - 12
02403-03100	4 - 2	20016-12213	1 - 4	20087-85340	7 - 14
02421-16150	9 - 15	20016-12222	1 - 5	20089-83311	7 - 13
02430-12100	9 - 6	20016-12310	7 - 16	20115-81780	6 - 26
02432-24120	9 - 29	20016-15123	1 - 9	20870-61640	9 - 22
02432-26120	2 - 14	20016-21100	2 - 1	20870-62110	9 - 37
02432-28120	9 - 7	20016-21111	2 - 2	20870-62131	9 - 38
09026-04001	11 - 2	20016-21120	2 - 6	22000-13320	2 - 16
11022-05160	2 - 18	20016-21200	2 - 5	22000-13420	9 - 31
11022-05160	2 - 32	20016-42002	3 - 7	22000-91120	11 - 3
11022-05160	7 - 21	20016-71200	4 - 1	22011-97840	9 - 39
11022-05300	1 - 7	20016-71601	4 - 4	22011-97840	9 - 42
11022-05450	2 - 19	20016-71641	4 - 5	22035-12121	8 - 2
11023-05250	2 - 29	20016-71651	4 - 12	22070-12410	8 - 4
11023-05250	9 - 32	20016-71660	4 - 14	22100-71430	3 - 13
11024-04261	4 - 16	20016-81140	6 - 20	22100-81230	6 - 14
11060-04122	5 - 12	20016-81180	6 - 2	22100-81250	6 - 13
11203-04160	8 - 9	20016-81250	6 - 21	22100-82430	6 - 27
11203-05608	6 - 30	20016-81270	6 - 11	22106-71441	9 - 46
11206-05201	8 - 22	20016-81280	6 - 16	22128-57250	7 - 5
11206-05201	10 - 12	20016-81410	6 - 8	22150-21250	2 - 4
11526-05212	9 - 41	20016-81420	6 - 17	22150-21350	7 - 8
12492-40080	2 - 9	20016-81450	6 - 12	22150-91410	11 - 1
12900-60010	2 - 3	20016-81510	6 - 18	22155-21330	7 - 6
12900-60010	2 - 7	20016-81530	6 - 22	22420-13350	9 - 28
13000-13406	4 - 17	20016-85112	7 - 2	22421-17202	11 - 5
15401-10025	9 - 17	20016-85310	7 - 10	22422-14540	8 - 27
15401-11010	9 - 11	20016-85400	7 - 12	22422-14540	10 - 17
17520-18601	9 - 47	20018-31251	2 - 22	33008-62151	8 - 7

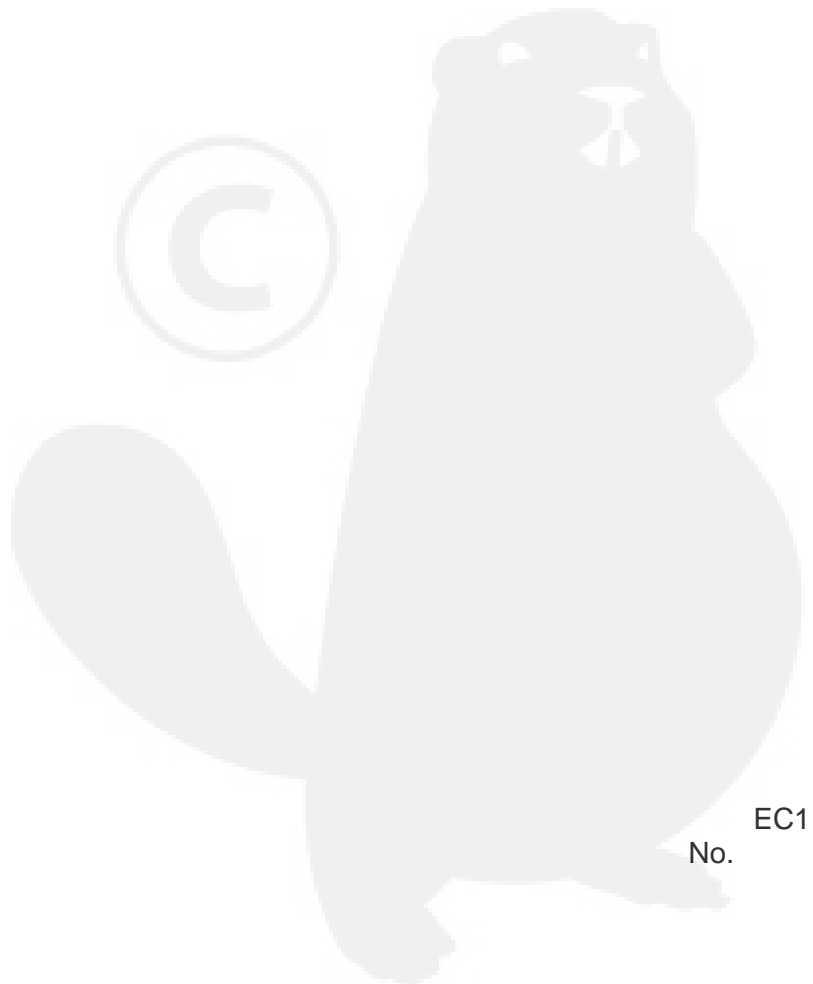
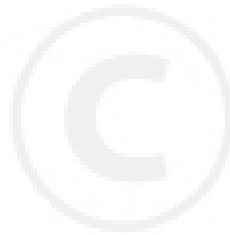
Index

Patrs Number	Key No.	Patrs Number	Key No.	Patrs Number	Key No.
33008-62311	8 - 8	63840-63320	9 - 25	70223-72200	4 - 6
33008-62321	8 - 6	63840-66310	9 - 43	70234-98011	3 - 15
33008-62340	8 - 5	63840-66320	9 - 44	70234-98310	3 - 16
37013-41230	3 - 5	63840-66330	9 - 45	72017-12150	8 - 31
37013-41240	3 - 6	63840-66350	9 - 48	72432-12100	8 - 1
37013-51310	3 - 10	63880-65350	8 - 18		
37013-75310	5 - 7	63880-65350	10 - 7		
37013-81310	6 - 15	63880-65360	8 - 21		
37013-85310	7 - 17	63880-65360	10 - 10		
37076-75010	5 - 1	63880-65411	8 - 24		
37076-75110	5 - 2	63880-65411	10 - 14		
37076-75120	5 - 3	63901-62142	8 - 3		
37076-75140	5 - 8	63901-62142	10 - 18		
37076-75310	5 - 4	63901-62352	8 - 16		
37076-75320	5 - 5	63901-62352	10 - 5		
38121-62010	9 - 34	63901-62370	8 - 19		
60023-98031	6 - 24	63901-62370	10 - 8		
60880-98050	11 - 6	65006-62310	8 - 11		
62010-31011	2 - 11	68120-61120	9 - 8		
62010-32010	2 - 20	68120-61130	9 - 16		
62064-81011	6 - 1	68120-61170	9 - 18		
62064-81310	6 - 5	68120-61320	9 - 51		
62074-81320	6 - 32	68120-61331	9 - 19		
62110-75020	5 - 11	68120-61340	9 - 20		
62809-12111	1 - 1	68120-61351	9 - 21		
62850-91320	2 - 33	68120-62010	9 - 34		
62902-85320	7 - 20	68120-62331	9 - 40		
63002-62170	8 - 25	70030-41320	3 - 4		
63002-62320	8 - 13	70030-71620	4 - 15		
63002-62320	10 - 2	70030-75130	5 - 6		
63002-62330	8 - 14	70030-81380	6 - 9		
63002-62330	10 - 3	70064-81290	6 - 3		
63002-62340	8 - 15	70097-81220	6 - 4		
63002-62340	10 - 4	70097-81310	6 - 6		
63002-62350	8 - 17	70097-81320	6 - 7		
63002-62350	10 - 6	70117-75311	5 - 13		
63023-62170	10 - 15	70135-15110	1 - 8		
63076-62021	8 - 12	70135-31470	2 - 31		
63076-62021	10 - 1	70140-31113	2 - 12		
63076-62310	8 - 20	70140-31130	2 - 17		
63076-62310	10 - 9	70140-32111	2 - 21		
63840-61011	9 - 1	70140-51102	3 - 8		
63840-61111	9 - 2	70140-51113	3 - 9		
63840-61320	9 - 52	70140-81710	6 - 23		
63840-61330	9 - 3	70140-81760	6 - 25		
63840-61340	9 - 9	70168-85201	7 - 3		
63840-61350	9 - 10	70168-85210	7 - 4		
63840-61370	9 - 14	70180-72260	4 - 10		
63840-63310	9 - 24	70192-85001	7 - 1		

YAMABIKO CORPORATION

7-2 SUEHIROCHO 1-CHOME, OHME, TOKYO 198-8760, JAPAN
PHONE: 81-428-32-6118. FAX: 81-428-32-6145.

shindaiwa[®]



EC1
No.