

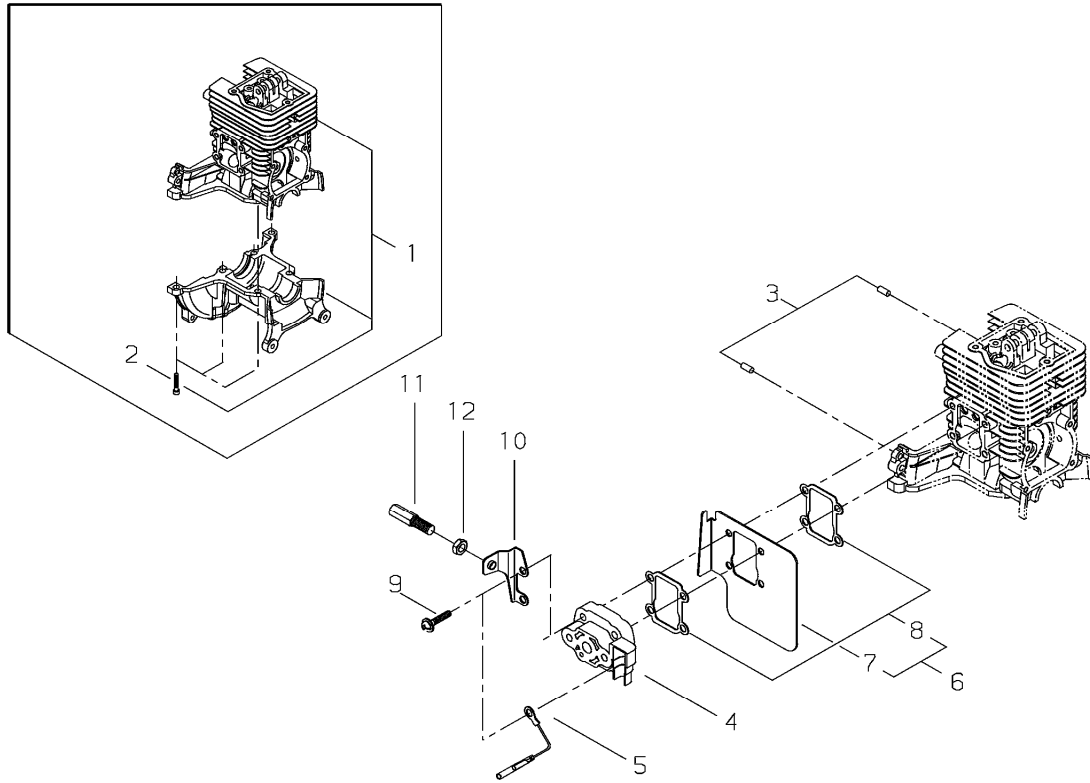
**shindaiwa®**

**PARTS CATALOG**  
**SHAFT HEDGE TRIMMER**  
**AH2510 EC2**



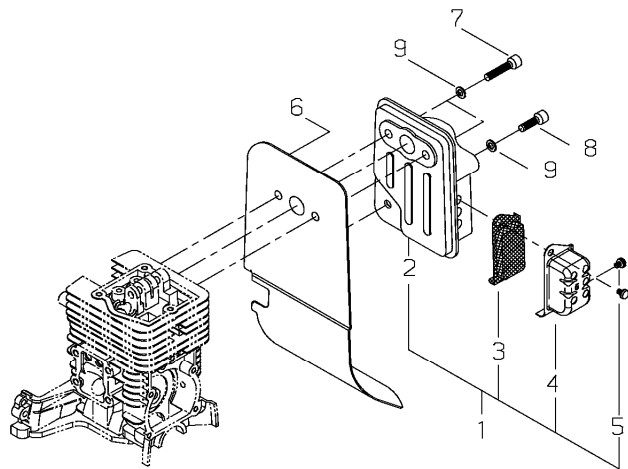
AH2510 EC2

1. CYLINDER



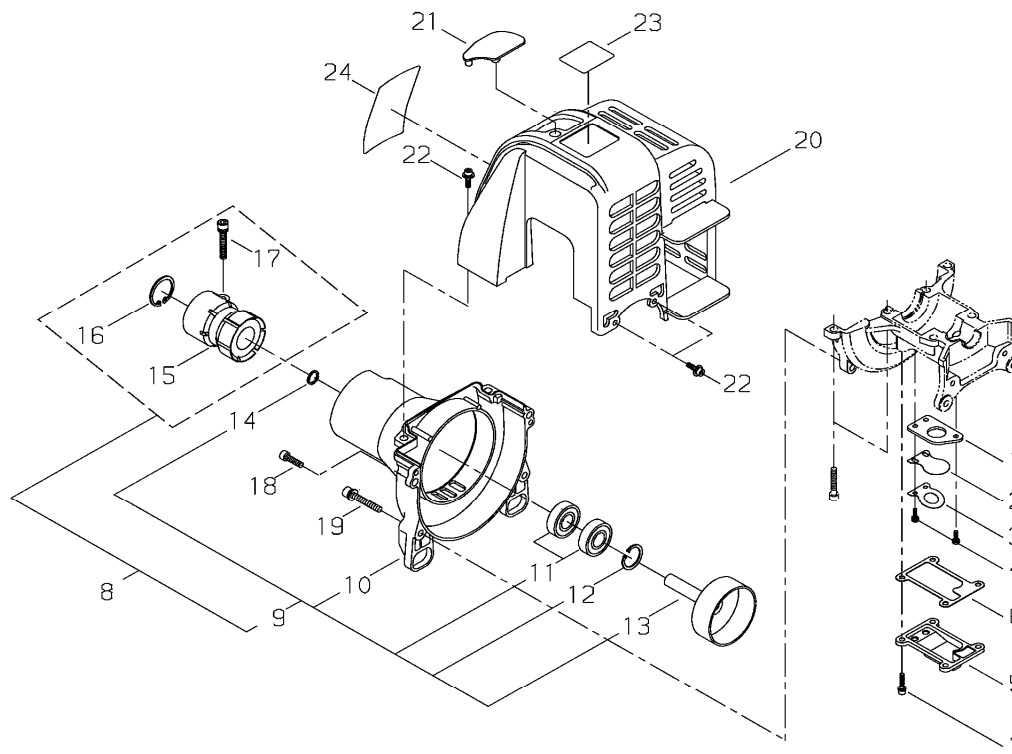
KEY	LV	PART NUMBER	Q'TY	DESCRIPTION	REMARKS	NOTE1	NOTE2
1		60908-98330	1	CYLINDER BLOCK SET			
2	•	01020-05160	6	BOLT	M5*16 BLACK	M5x16	
3		12492-40080	2	ROLLER		E4X8F6 C3	
4		62902-12310	1	REED VALVE			
5		14350-01101	1	LEAD WIRE	L110	L110	
6		62902-12320	1	BAFFLE PLATE COMP			
7	•	62901-12320	1	BAFFLE PLATE			
8	•	62901-12220	2	GASKET			
9		11206-05225	4	SCREW,PM-SPW	M5*22	M5x22	
10		62901-83310	1	BRACKET THROTTLE			
11		62902-83310	1	CABLE ADJUSTER			
12		01501-06048	1	NUT		M6	

2. MUFFLER



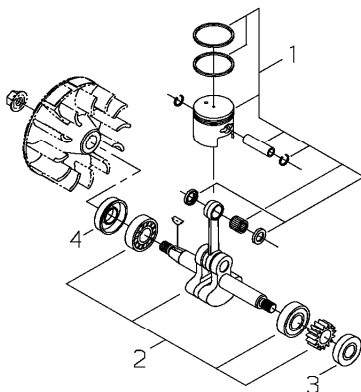
KEY	LV	PART NUMBER	Q'TY	DESCRIPTION	REMARKS	NOTE1	NOTE2
1		62907-15011	1	MUFFLER ASSY			
2	•	62907-15111	1	MUFFLER			
3	•	62902-15131	1	SCREEN			
4	•	62907-15161	1	TAIL PLATE			
5	•	11204-04060	2	SCREW,PM-SW		M4x6	
6		62901-15210	1	GASKET			
7		62901-15310	2	BOLT			
8		01020-05160	1	BOLT	M5*16 BLACK	M5x16	
9		01610-05080	3	WASHER		5mm	

## 3. CRANKCASE, FANCOVER



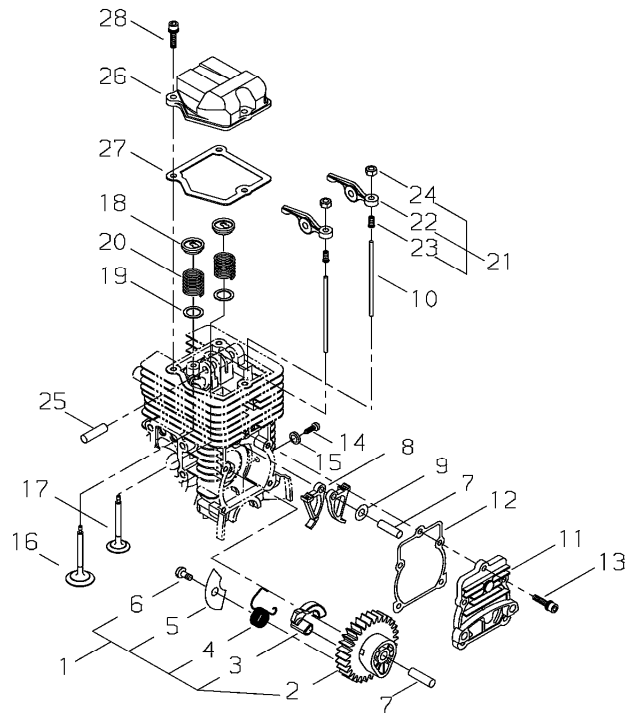
KEY	LV	PART NUMBER	Q'TY	DESCRIPTION	REMARKS	NOTE1	NOTE2
1		62901-21320	1	INSULATOR			
2		72320-83121	1	VALVE			
3		72320-83132	1	STOPPER			
4		01211-03100	3	SCREW-SW	M3*10	M3x10	
5		62901-21120	1	COVER			
6		62901-21130	1	GASKET			
7		11022-04120	4	BOLT-SPW	M4*12	M4x12	
8		60902-98023	1	FAN COVER ASSY			
9		62901-31013	1	FAN COVER COMP			
10	•	62901-31112	1	FAN COVER			
11	•	02002-06000	2	BALL BEARING		6000ZZ	
12	•	02432-26120	1	SNAP RING		26mm C	
13	•	62100-31210	1	CLUTCH DRUM			
14	•	22000-13320	1	SNAP RING			
15	•	20087-31411	1	JOINT			
16	•	02432-40170	1	SNAP RING		40mm C	
17	•	11020-05220	1	BOLT-SW		M5x22	
18		01020-05160	2	BOLT	M5*16 BLACK	M5x16	
19		11022-05450	2	BOLT SPW		M5x45	
20		62901-32111	1	CYLINDER COVER			
21		62901-32312	1	GROMMET			
22		11024-04160	4	BOLT SLPW		M4x16	
23		62640-91320	1	LABEL TRADE			
24		19420-00106	1	LABEL TRADE			shindaiwa、C4

4. PISTON



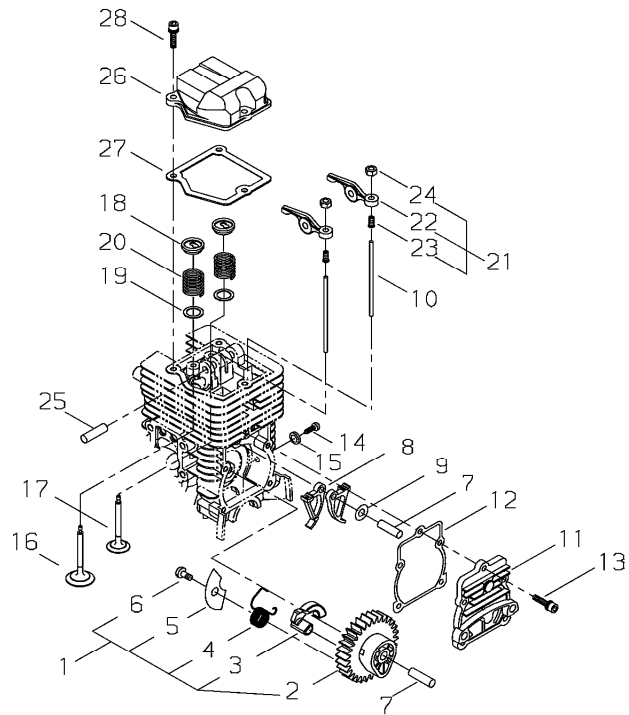
KEY	LV	PART NUMBER	Q'TY	DESCRIPTION	REMARKS	NOTE1	NOTE2
1		62902-41310	1	PISTON SET			
2		62902-42020	1	CRANKSHAFT COMP			
3		62901-42260	1	OIL SEAL			
4		62901-42270	1	OIL SEAL			

## 5. VALVE



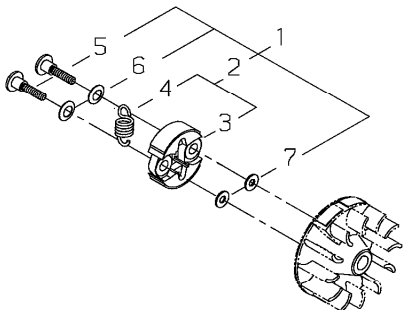
KEY	LV	PART NUMBER	Q'TY	DESCRIPTION	REMARKS	NOTE1	NOTE2
1		62905-43011	1	CAM GEAR ASSY			
2	•	62902-43310	1	CAM GEAR			
3	•	62907-43120	1	WEIGHT			
4	•	17520-08900	1	COIL SPRING			
5	•	62905-43131	1	PLATE			
6	•	01280-04062	1	SCREW, TAPPING		4x6	
7		12492-50290	2	ROLLER	5*L29.8	N5X29.8F6-C3	
8		62907-43210	2	LIFTER			
9		11620-10000	1	WASHER	T0.3	5mm	
10		62908-43220	2	PUSH ROD			
11		62901-43330	1	CAM GEAR COVER			
12		62901-43240	1	GASKET			
13		11022-04140	5	BOLT-SPW	M4-14	M4x14	
14		62901-43310	1	SCREW			
15		15401-10028	1	COLLAR	5.5,10 T=2	φ10xφ5.5xL2	
16		62902-44111	1	INTAKE VALVE			
17		62902-44121	1	EXHAUST VALVE			
18		62908-44140	2	RETAINER			
19		62908-44310	2	PLATE			
20		62901-44130	2	VALVE SPRING			
21		62907-44010	2	ROCKER ARM ASSY			
22	•	62901-44210	2	ROCKER ARM			
23	•	62907-44220	2	ADJUST SCREW			
24	•	62901-44231	2	NUT			
25		12492-50310	1	ROLLER	NTN F5*31.8	NTN F5X31.8	
26		62901-44241	1	ROCKER ARM COVER			

5. VALVE



KEY	LV	PART NUMBER	Q'TY	DESCRIPTION	REMARKS	NOTE1	NOTE2
27		62901-44250	1	GASKET			
28		11022-04140	3	BOLT-SPW	M4-14	M4x14	

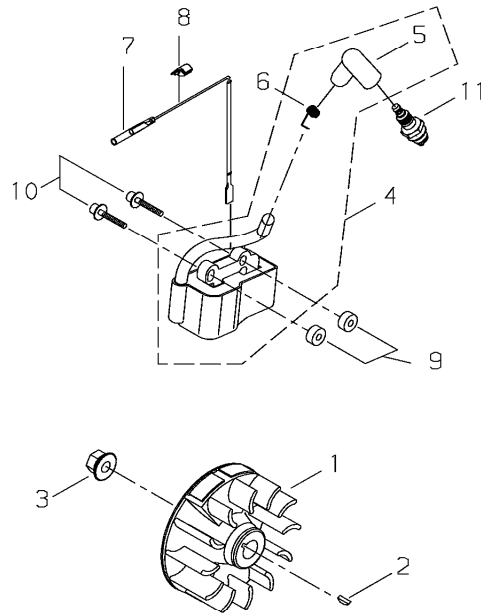
6. CLUTCH



KEY	LV	PART NUMBER	Q'TY	DESCRIPTION	REMARKS	NOTE1	NOTE2
1		62901-51012	1	CLUTCH SET			
2	•	62901-51022	1	CLUTCH SHOE-A			
3	• •	70140-51113	2	CLUTCH SHOE			
4	• •	62901-51310	1	COIL SPRING			
5	•	20087-51210	2	BOLT			
6	•	20087-51231	2	SPRING PLATE			
7	•	22100-71430	2	WASHER			

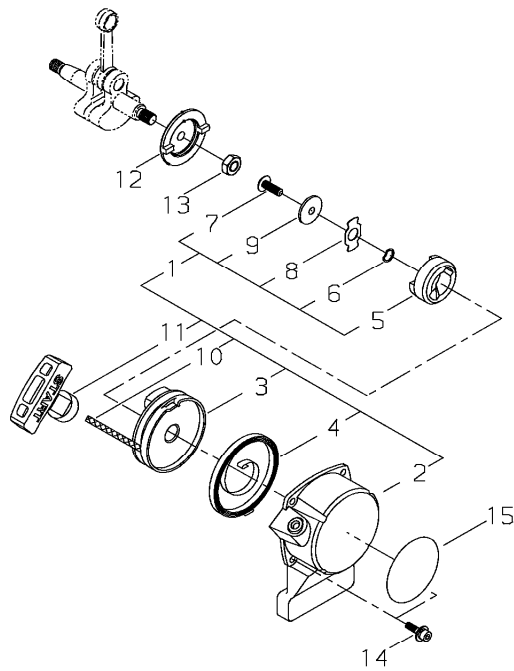


7. MAGNETO



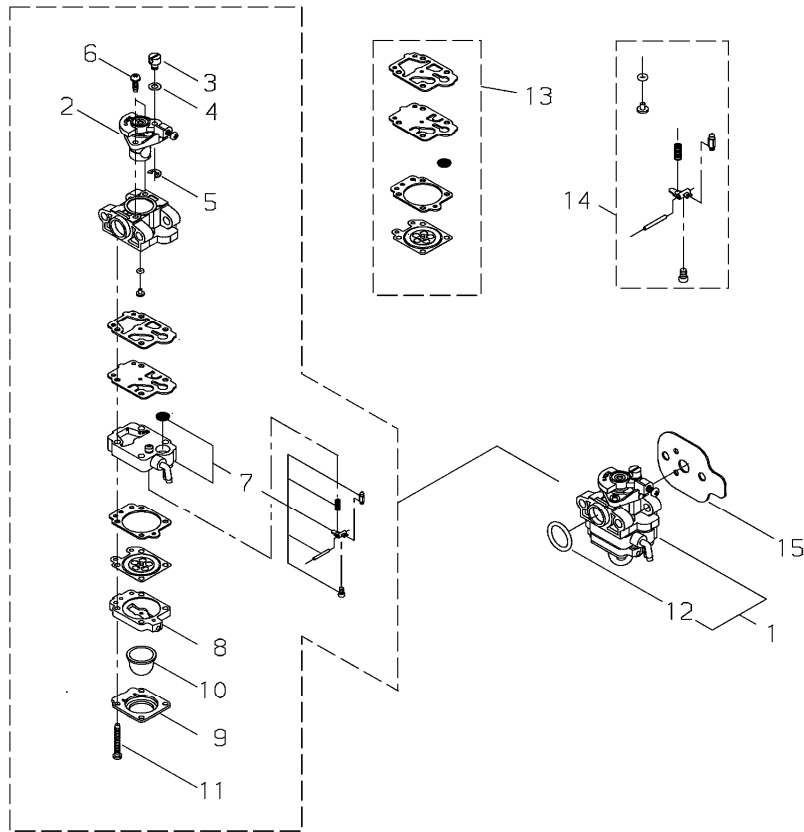
KEY	LV	PART NUMBER	Q'TY	DESCRIPTION	REMARKS	NOTE1	NOTE2
1		62905-71110	1	ROTOR			
2		02403-03100	1	KEY	3*10	3x10 A	
3		20035-71220	1	NUT			
4		62905-71310	1	COIL ASSY			
5	•	62905-71250	1	PLUG CAP			
6	•	62905-71320	1	COIL SPRING			
7		14350-02001	1	LEAD WIRE			
8		62901-71310	1	GROMMET			
9		70030-71620	2	INSULATOR			
10		11024-04265	2	BOLT-SLPW	M4*26	M4x26	
11		13001-10005	1	PLIG	NGK CMR5H	CMR5H	

8. RECOIL STARTER



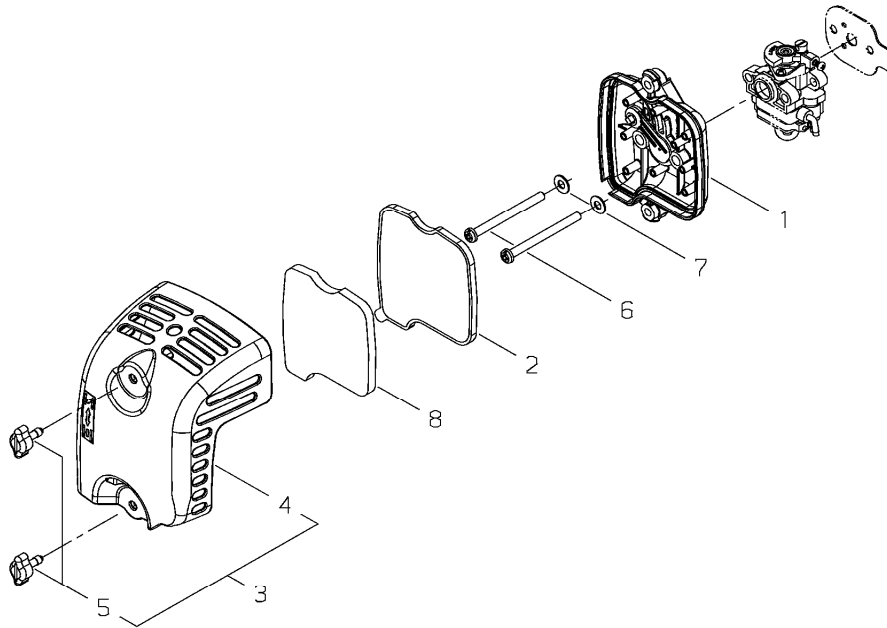
KEY	LV	PART NUMBER	Q'TY	DESCRIPTION	REMARKS	NOTE1	NOTE2
1		62901-75012	1	RECOIL STARTER ASSY			
2	•	62901-75111	1	STARTER CASE			
3	•	62901-75120	1	REEL			
4	•	70064-75130	1	RECOIL SPRING			
5	•	62901-75310	1	DOG			
6	•	70064-75150	1	WAVE WASHER			
7	•	72933-75160	1	SCREW			
8	•	72933-75170	1	RETAINER			
9	•	72933-75180	1	WASHER			
10	•	32004-75140	1	ROPE			
11	•	32004-75150	1	KNOB			
12		70064-75310	1	STARTER PULLEY			
13		01511-08051	1	NUT		M8	
14		11024-04160	2	BOLT SLPW		M4x16	
15		19420-00070	1	LABEL TRADE		shindaiwa、C4	

9. CARBURETOR



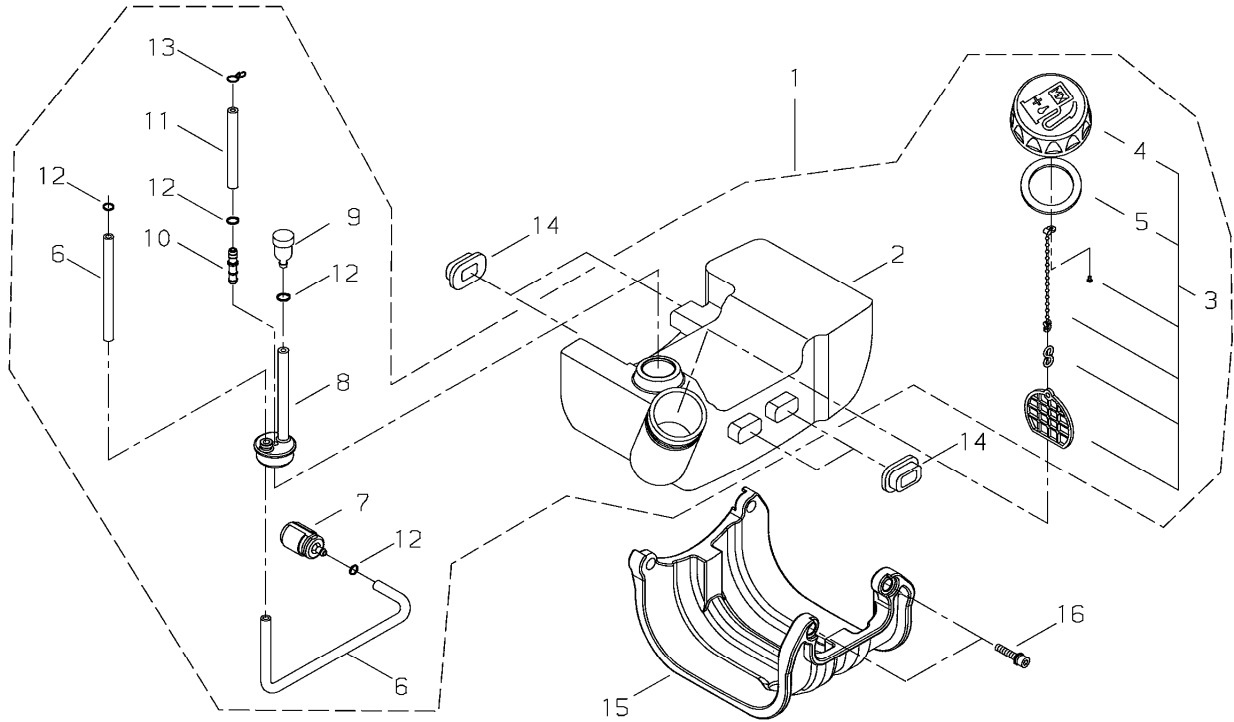
KEY	LV	PART NUMBER	Q'TY	DESCRIPTION	REMARKS	NOTE1	NOTE2
1		62908-81011	1	CARBURETOR ASSY			
2	▪	62908-81311	1	VALVE			
3	▪	72933-81450	1	SWIVEL			
4	▪	20089-81185	1	WASHER			
5	▪	20036-81195	1	E RING			
6	▪	70064-81290	2	SCREW	M3*10		
7	▪	37013-81350	1	PUMP BODY ASSY			
8	▪	20016-81420	1	PUMP BASE COMP			
9	▪	20016-81510	1	PUMP COVER			
10	▪	20036-81670	1	PRIMER PUMP			
11	▪	20016-81140	4	SCREW			
12	▪	20016-81250	1	O RING			
13		60902-98030	1	GASKRT			
14		60908-98360	1	VALVE SET			
15		62901-81211	1	GASKET			

10. AIR CLEANER



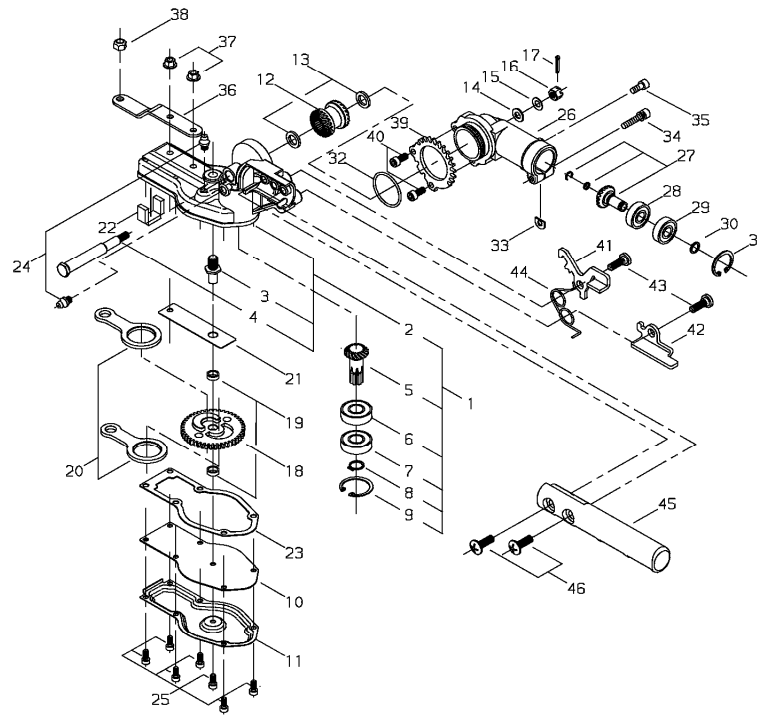
KEY	LV	PART NUMBER	Q'TY	DESCRIPTION	REMARKS	NOTE1	NOTE2
1		62908-82010	1	CLEANER BODY ASSY			
2		62908-82120	1	FILTER			
3		62908-82030	1	CLEANER COVER ASSY			
4	•	62908-82130	1	CLEANER COVER			
5	•	62901-82330	2	KNOB			
6		11203-05605	2	SCREW,PM		M5x60	
7		01613-05080	2	WASHER		5mm	
8		62908-82310	1	PREFILTER			

# 11. FUEL TANK



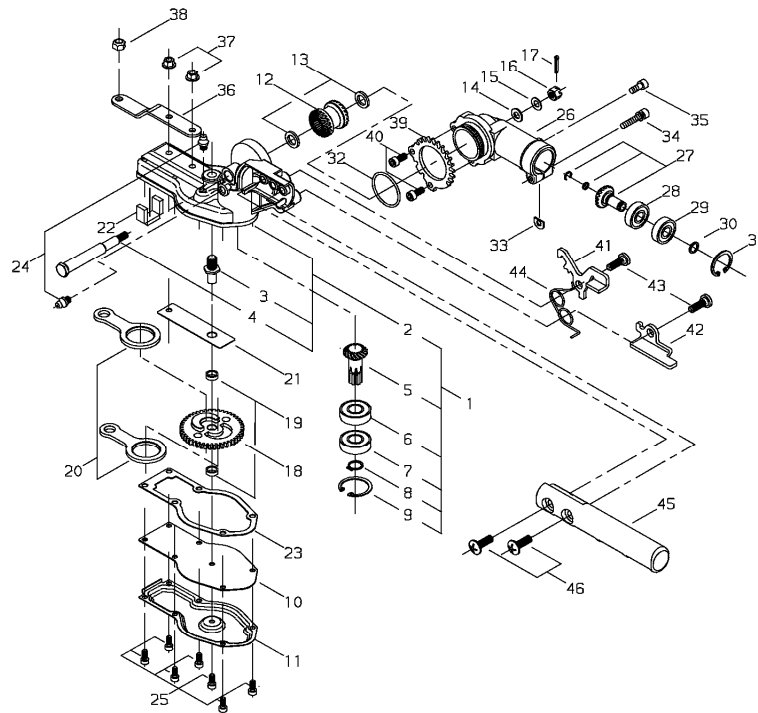
KEY	LV	PART NUMBER	Q'TY	DESCRIPTION	REMARKS	NOTE1	NOTE2
1		68906-85310	1	FUEL TANK ASSY			
2	•	62901-85110	1	FUEL TANK			
3	•	70168-85201	1	FUEL CAP ASSY			
4	• •	70168-85210	1	FUEL CAP			
5	• •	20000-85221	1	GASKET			
6	•	62901-85310	1	PIPE			
7	•	20016-85400	1	FUEL FILTER			
8	•	20112-85351	1	GROMMET			
9	•	22197-33960	1	VALVE			
10	•	72933-85620	1	JOINT			
11	•	68906-85320	1	PIPE			
12	•	20020-85540	4	CLIP			
13	•	37013-85310	1	CLIP			
14		62901-85220	4	TANK CUSHION			
15		62902-85320	1	TANK GUARD			
16		11022-05200	2	BOLT SPW		M5x20	

## 12. GEAR CASE



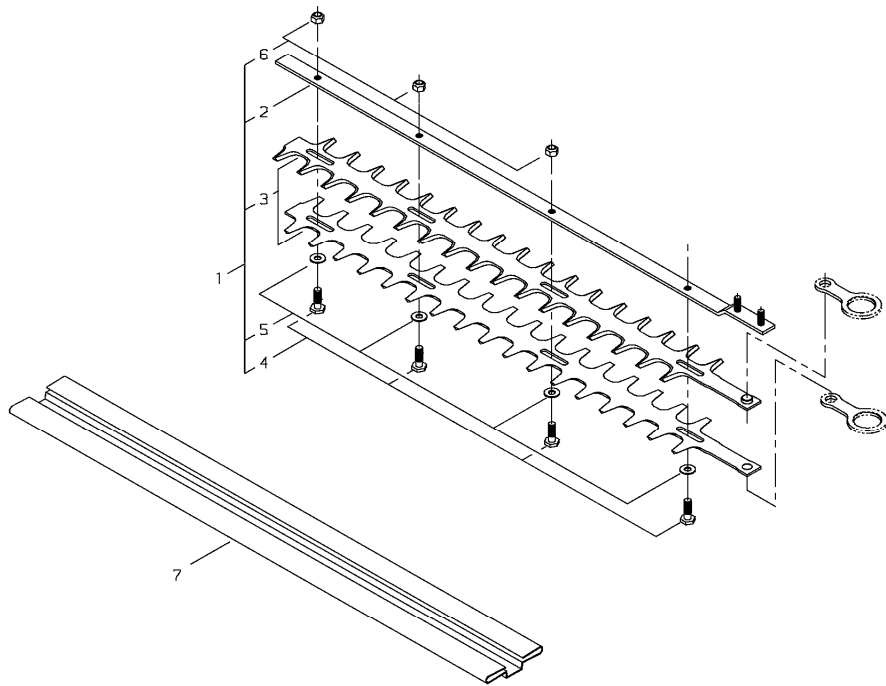
KEY	LV	PART NUMBER	Q'TY	DESCRIPTION	REMARKS	NOTE1	NOTE2
1		63840-61011	1	GEAR CASE COMP			
2	•	63840-61111	1	GEAR CASE			
3	• •	68120-61320	1	MAIN SHAFT			
4	• •	63840-61320	1	SHAFT			
5	•	63840-61330	1	PINION SHAFT			
6	•	02000-06001	1	BEARING		6001	
7	•	02002-06001	1	BEARING		6001ZZ	
8	•	02430-12100	1	SNAP RING		12mm C	
9	•	02432-28120	1	SNAP RING		28mm C	
10		68120-61120	1	CASE COVER			
11		63840-61340	1	COVER			
12		63840-61350	1	BEVEL GEAR			
13		15401-11010	2	COLLAR		φ16xφ10xL2	
14		01613-06100	1	WASHER		6mm	
15		20024-81790	1	CONE WASHER			
16		63840-61370	1	NUT			
17		02421-16150	1	PIN		1.6x15	
18		68120-61130	1	CAM GEAR			
19		15401-10025	2	COLLAR		φ11xφ8xL3.4	
20		68120-61170	2	ROD			
21		68120-61331	1	PLATE			
22		68120-61340	1	PACKING			
23		68120-61351	1	GASKET			
24		20870-61640	2	GREASE NIPPLE			
25		01020-04100	7	BOLT		M4x10	
26		63840-63310	1	GEAR CASE UPPER			

## 12. GEAR CASE



KEY	LV	PART NUMBER	Q'TY	DESCRIPTION	REMARKS	NOTE1	NOTE2
27		63840-63320	1	BEVEL PINION			
28		02000-00609	1	BEARING		609	
29		02002-00609	1	BEARING		609ZZ	
30		22420-13350	1	SNAP RING			
31		02432-24120	1	SNAP RING		24mm C	
32		02304-03150	1	O RING			
33		22000-13420	1	SHIM			
34		11023-05250	1	BOLT SW		M5x25	
35		01020-05120	1	BOLT	M5*12	M5x12	
36		68120-62331	1	HOLDER			
37		11526-05212	2	FLANGE NUT		M5	
38		22011-97840	1	LOCK NUT			
39		63840-66310	1	ADJUST PLATE			
40		01020-05120	2	BOLT	M5*12	M5x12	
41		63840-66320	1	LOCK LEVER			
42		63840-66330	1	SAFTY LEVER			
43		22106-71441	2	PIN RATCHET			
44		17520-18601	1	COIL SPRING			
45		63840-66350	1	HANDLE			
46		01215-06208	2	SCREW TRUSS		M6x20	

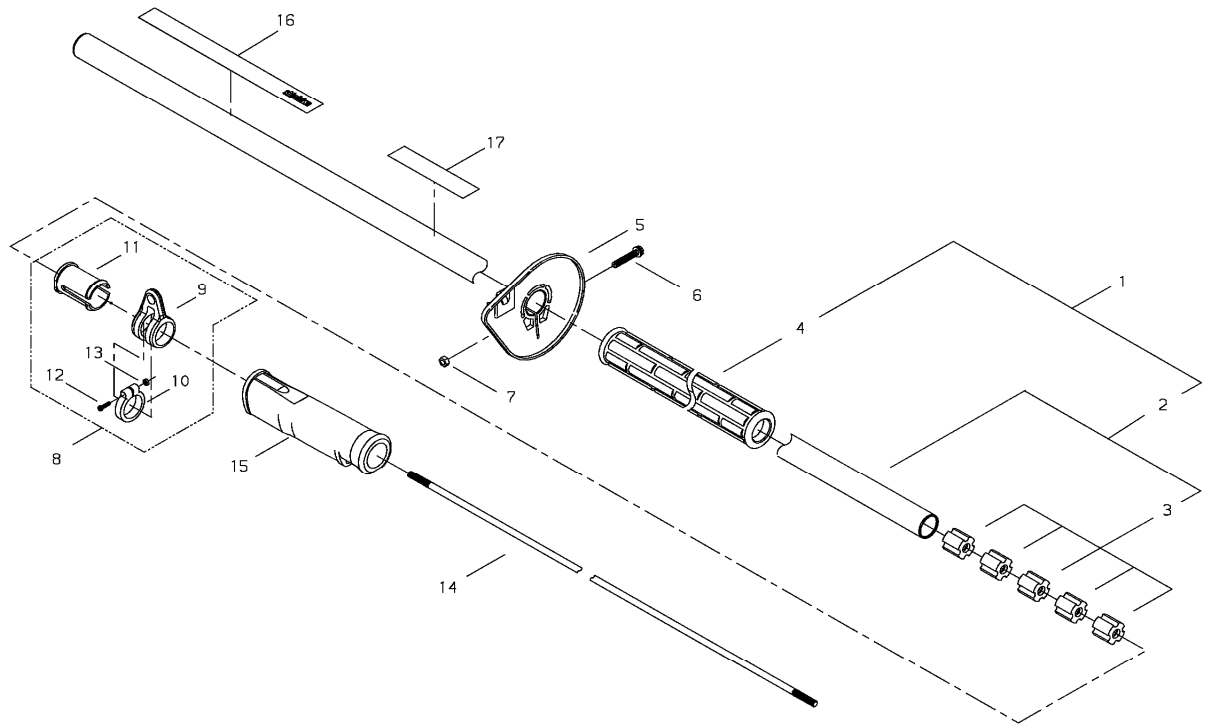
13. BLADE



KEY	LV	PART NUMBER	Q'TY	DESCRIPTION	REMARKS	NOTE1	NOTE2
1		38121-62010	1	CUTTER ASSY			
2	•	18501-50000	1	GUIDE BAR			
3	•	18500-50102	2	BLADE			
4	•	20870-62110	4	BOLT			
5	•	20870-62131	4	WASHER			
6	•	22011-97840	3	LOCK NUT			
7		19601-01506	1	BLADE COVER			

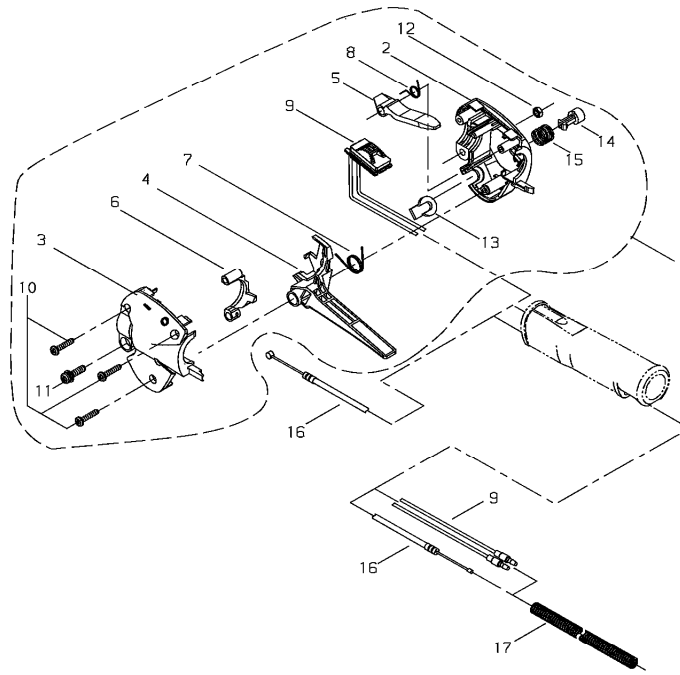


14. OUTER PIPE



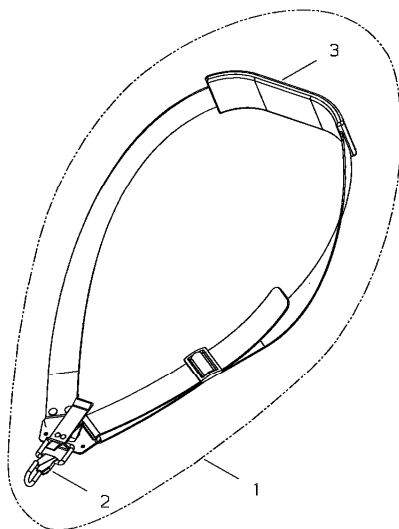
KEY	LV	PART NUMBER	Q'TY	DESCRIPTION	REMARKS	NOTE1	NOTE2
1		63845-64310	1	OUTER PIPE COMP			
2	•	72432-12100	1	OUTER PIPE SUB ASSY			
3	• •	22035-12121	5	BUSH			
4	•	63840-64331	1	GRIP			
5		63840-64340	1	PROTECTOR			
6		11207-05300	1	SCREW PM SLPW		M5x30	
7		01500-05041	1	NUT	M5	M5	
8		33008-62340	1	HANGER ASSY			
9	•	33008-62151	1	HANGER			
10	•	33008-62311	1	CLAMP			
11	•	33008-62321	1	COLLAR			
12	•	11203-04160	1	SCREW PM		M4x16	
13	•	01500-04031	1	NUT		M4	
14		22070-12410	1	MAIN SHAFT			
15		63901-62142	1	GRIP			
16		19420-00084	1	LABEL TRADE		shindaiwa,PROFES	
17		19402-00314	1	LABEL CAUTION		SIONAL	

15. THROTTLE LEVER

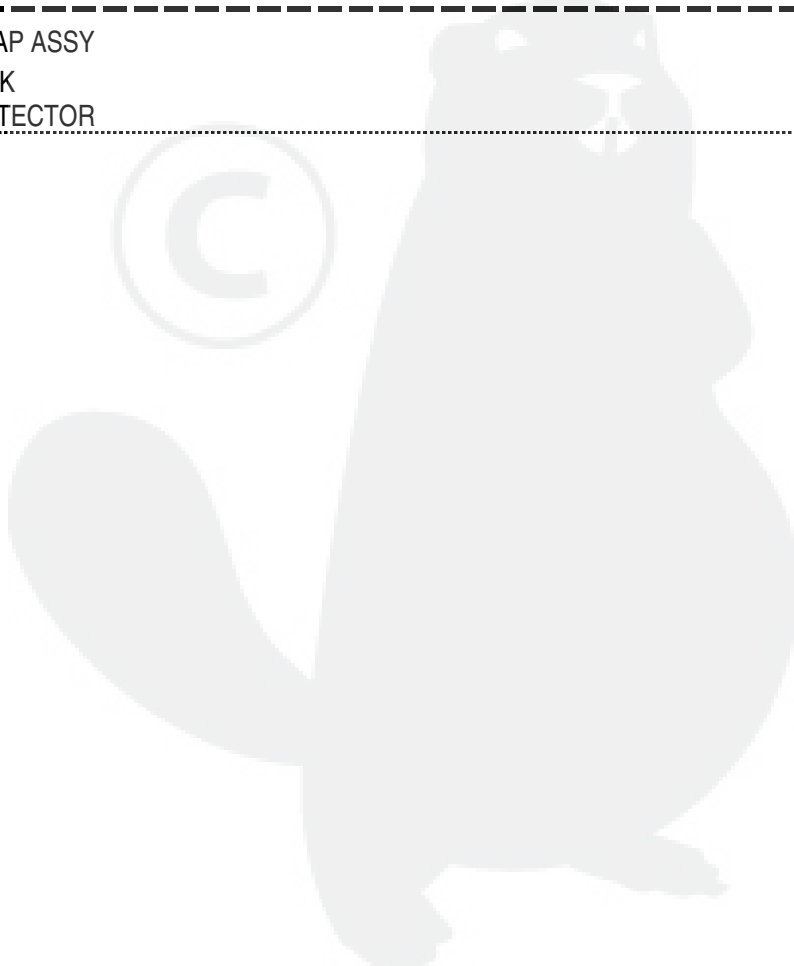


KEY	LV	PART NUMBER	Q'TY	DESCRIPTION	REMARKS	NOTE1	NOTE2
1		63904-62020	1	THROTTLE LEVER ASSY			
2	•	72549-62320	1	BODY RIGHT			
3	•	63002-62330	1	BODY LEFT			
4	•	63002-62340	1	LEVER			
5	•	63901-62352	1	LOCK LEVER			
6	•	63002-62350	1	HOLDER			
7	•	63880-65350	1	COIL SPRING			
8	•	63901-62370	1	COIL SPRING			
9	•	63901-62380	1	SWITCH			
10	•	63880-65360	3	SCREW TAPPING			
11	•	11206-05201	1	SCREW PM SPW			M5x20
12	•	01501-05030	1	NUT	M5		M5
13	•	63880-65411	1	PLUG			
14	•	70871-65170	1	BUTTON			
15	•	70871-65180	1	COIL SPRING			
16		63901-62173	1	THROTTLE CABLE			
17		63901-62440	1	TUBE			

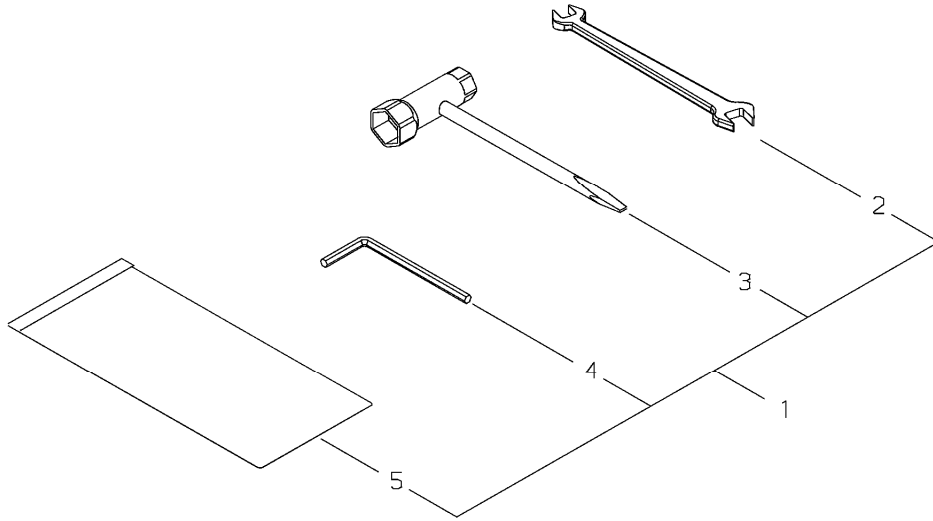
16. STRAP



KEY	LV	PART NUMBER	Q'TY	DESCRIPTION	REMARKS	NOTE1	NOTE2
1		22421-17202	1	STRAP ASSY			
2	•	22421-17130	1	HOOK			
3	•	22007-17220	1	PROTECTOR			

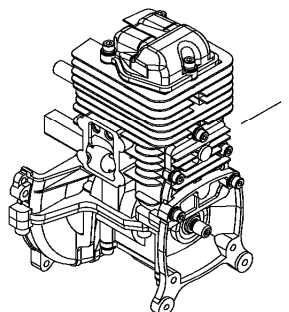


17. TOOL

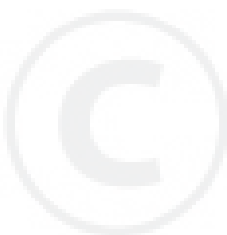


KEY	LV	PART NUMBER	Q'TY	DESCRIPTION	REMARKS	NOTE1	NOTE2
1		62901-92010	1	TOOL SET			
2	•	22000-91120	1	SPANNER			
3	•	22580-91180	1	PLUG WRENCH			
4	•	09026-04001	1	HEXA WRENCH	4MM M5ㄗ	4mm M5	
5	•	19639-01400	1	BAG,PACKING	140*200*T0.08	G-8 140*200*t0.08	

18. OPTION PARTS



KEY	LV	PART NUMBER	Q'TY	DESCRIPTION	REMARKS	NOTE1	NOTE2
1		60908-98380	1	SHORT BLOCK			



**Index**

<b>Patrs Number</b>	<b>Key No.</b>	<b>Patrs Number</b>	<b>Key No.</b>	<b>Patrs Number</b>	<b>Key No.</b>
01020-04100	12 - 25	12492-40080	1 - 3	22420-13350	12 - 30
01020-05120	12 - 35	12492-50290	5 - 7	22421-17130	16 - 2
01020-05120	12 - 40	12492-50310	5 - 25	22421-17202	16 - 1
01020-05160	1 - 2	13001-10005	7 - 11	22580-91180	17 - 3
01020-05160	2 - 8	14350-01101	1 - 5	32004-75140	8 - 10
01020-05160	3 - 18	14350-02001	7 - 7	32004-75150	8 - 11
01211-03100	3 - 4	15401-10025	12 - 19	33008-62151	14 - 9
01215-06208	12 - 46	15401-10028	5 - 15	33008-62311	14 - 10
01280-04062	5 - 6	15401-11010	12 - 13	33008-62321	14 - 11
01500-04031	14 - 13	17520-08900	5 - 4	33008-62340	14 - 8
01500-05041	14 - 7	17520-18601	12 - 44	37013-81350	9 - 7
01501-05030	15 - 12	18500-50102	13 - 3	37013-85310	11 - 13
01501-06048	1 - 12	18501-50000	13 - 2	38121-62010	13 - 1
01511-08051	8 - 13	19402-00314	14 - 17	60902-98023	3 - 8
01610-05080	2 - 9	19420-00070	8 - 15	60902-98030	9 - 13
01613-05080	10 - 7	19420-00084	14 - 16	60908-98330	1 - 1
01613-06100	12 - 14	19420-00106	3 - 24	60908-98360	9 - 14
02000-00609	12 - 28	19601-01506	13 - 7	60908-98380	18 - 1
02000-06001	12 - 6	19639-01400	17 - 5	62100-31210	3 - 13
02002-00609	12 - 29	20000-85221	11 - 5	62640-91320	3 - 23
02002-06000	3 - 11	20016-81140	9 - 11	62901-12220	1 - 8
02002-06001	12 - 7	20016-81250	9 - 12	62901-12320	1 - 7
02304-03150	12 - 32	20016-81420	9 - 8	62901-15210	2 - 6
02403-03100	7 - 2	20016-81510	9 - 9	62901-15310	2 - 7
02421-16150	12 - 17	20016-85400	11 - 7	62901-21120	3 - 5
02430-12100	12 - 8	20020-85540	11 - 12	62901-21130	3 - 6
02432-24120	12 - 31	20024-81790	12 - 15	62901-21320	3 - 1
02432-26120	3 - 12	20035-71220	7 - 3	62901-31013	3 - 9
02432-28120	12 - 9	20036-81195	9 - 5	62901-31112	3 - 10
02432-40170	3 - 16	20036-81670	9 - 10	62901-32111	3 - 20
09026-04001	17 - 4	20087-31411	3 - 15	62901-32312	3 - 21
11020-05220	3 - 17	20087-51210	6 - 5	62901-42260	4 - 3
11022-04120	3 - 7	20087-51231	6 - 6	62901-42270	4 - 4
11022-04140	5 - 13	20089-81185	9 - 4	62901-43240	5 - 12
11022-04140	5 - 28	20112-85351	11 - 8	62901-43310	5 - 14
11022-05200	11 - 16	20870-61640	12 - 24	62901-43330	5 - 11
11022-05450	3 - 19	20870-62110	13 - 4	62901-44130	5 - 20
11023-05250	12 - 34	20870-62131	13 - 5	62901-44210	5 - 22
11024-04160	3 - 22	22000-13320	3 - 14	62901-44231	5 - 24
11024-04160	8 - 14	22000-13420	12 - 33	62901-44241	5 - 26
11024-04265	7 - 10	22000-91120	17 - 2	62901-44250	5 - 27
11203-04160	14 - 12	22007-17220	16 - 3	62901-51012	6 - 1
11203-05605	10 - 6	22011-97840	12 - 38	62901-51022	6 - 2
11204-04060	2 - 5	22011-97840	13 - 6	62901-51310	6 - 4
11206-05201	15 - 11	22035-12121	14 - 3	62901-71310	7 - 8
11206-05225	1 - 9	22070-12410	14 - 14	62901-75012	8 - 1
11207-05300	14 - 6	22100-71430	6 - 7	62901-75111	8 - 2
11526-05212	12 - 37	22106-71441	12 - 43	62901-75120	8 - 3
11620-10000	5 - 9	22197-33960	11 - 9	62901-75310	8 - 5

**Index**

<b>Patrs Number</b>	<b>Key No.</b>	<b>Patrs Number</b>	<b>Key No.</b>	<b>Patrs Number</b>	<b>Key No.</b>
62901-81211	9 - 15	63840-61370	12 - 16		
62901-82330	10 - 5	63840-63310	12 - 26		
62901-83310	1 - 10	63840-63320	12 - 27		
62901-85110	11 - 2	63840-64331	14 - 4		
62901-85220	11 - 14	63840-64340	14 - 5		
62901-85310	11 - 6	63840-66310	12 - 39		
62901-92010	17 - 1	63840-66320	12 - 41		
62902-12310	1 - 4	63840-66330	12 - 42		
62902-12320	1 - 6	63840-66350	12 - 45		
62902-15131	2 - 3	63845-64310	14 - 1		
62902-41310	4 - 1	63880-65350	15 - 7		
62902-42020	4 - 2	63880-65360	15 - 10		
62902-43310	5 - 2	63880-65411	15 - 13		
62902-44111	5 - 16	63901-62142	14 - 15		
62902-44121	5 - 17	63901-62173	15 - 16		
62902-83310	1 - 11	63901-62352	15 - 5		
62902-85320	11 - 15	63901-62370	15 - 8		
62905-43011	5 - 1	63901-62380	15 - 9		
62905-43131	5 - 5	63901-62440	15 - 17		
62905-71110	7 - 1	63904-62020	15 - 1		
62905-71250	7 - 5	68120-61120	12 - 10		
62905-71310	7 - 4	68120-61130	12 - 18		
62905-71320	7 - 6	68120-61170	12 - 20		
62907-15011	2 - 1	68120-61320	12 - 3		
62907-15111	2 - 2	68120-61331	12 - 21		
62907-15161	2 - 4	68120-61340	12 - 22		
62907-43120	5 - 3	68120-61351	12 - 23		
62907-43210	5 - 8	68120-62331	12 - 36		
62907-44010	5 - 21	68906-85310	11 - 1		
62907-44220	5 - 23	68906-85320	11 - 11		
62908-43220	5 - 10	70030-71620	7 - 9		
62908-44140	5 - 18	70064-75130	8 - 4		
62908-44310	5 - 19	70064-75150	8 - 6		
62908-81011	9 - 1	70064-75310	8 - 12		
62908-81311	9 - 2	70064-81290	9 - 6		
62908-82010	10 - 1	70140-51113	6 - 3		
62908-82030	10 - 3	70168-85201	11 - 3		
62908-82120	10 - 2	70168-85210	11 - 4		
62908-82130	10 - 4	70871-65170	15 - 14		
62908-82310	10 - 8	70871-65180	15 - 15		
63002-62330	15 - 3	72320-83121	3 - 2		
63002-62340	15 - 4	72320-83132	3 - 3		
63002-62350	15 - 6	72432-12100	14 - 2		
63840-61011	12 - 1	72549-62320	15 - 2		
63840-61111	12 - 2	72933-75160	8 - 7		
63840-61320	12 - 4	72933-75170	8 - 8		
63840-61330	12 - 5	72933-75180	8 - 9		
63840-61340	12 - 11	72933-81450	9 - 3		
63840-61350	12 - 12	72933-85620	11 - 10		

# YAMABIKO CORPORATION

7-2 SUEHIROCHO 1-CHOME, OHME, TOKYO 198-8760, JAPAN  
PHONE: 81-428-32-6118. FAX: 81-428-32-6145.

**shindaiwa<sup>®</sup>**



EC2  
No.