

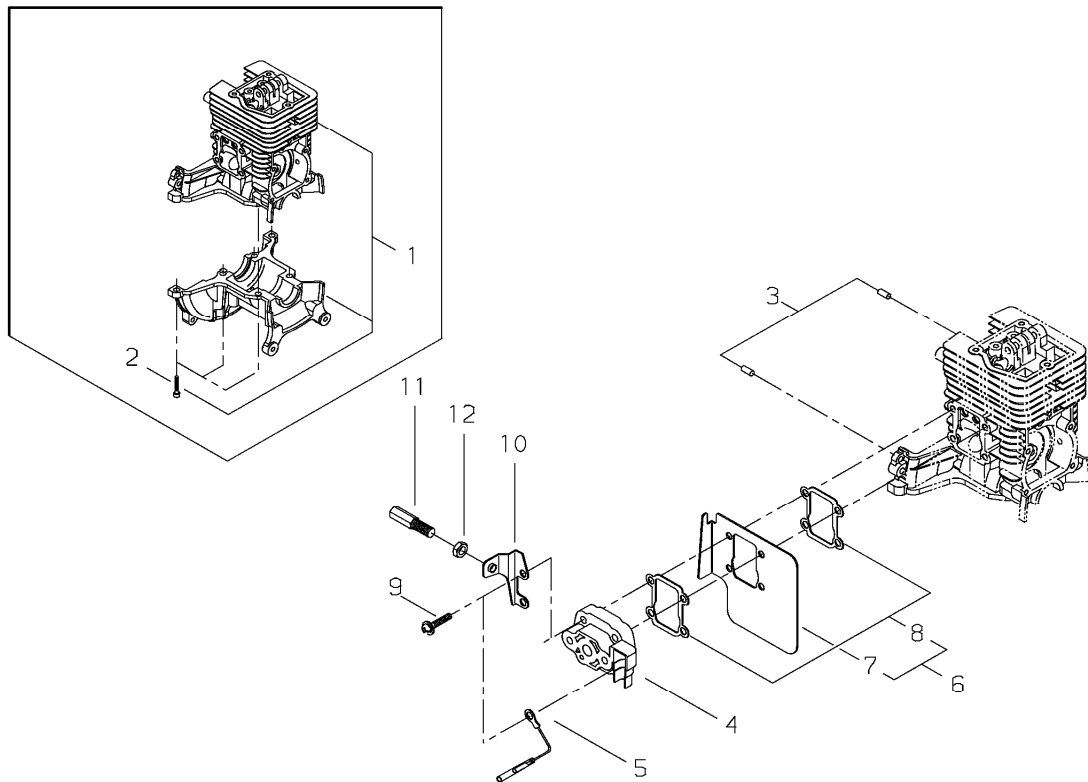
**shindaiwa<sup>®</sup>**

**PARTS CATALOG**  
**SHAFT HEDGE TRIMMER**  
**AHS2510 EC2**



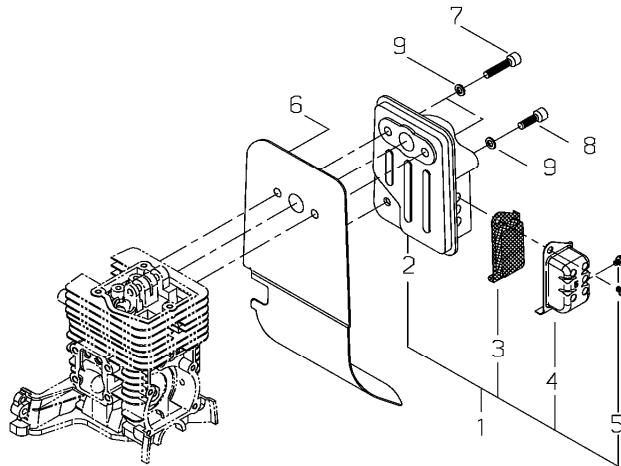
AHS2510 EC2

# 1. CYLINDER



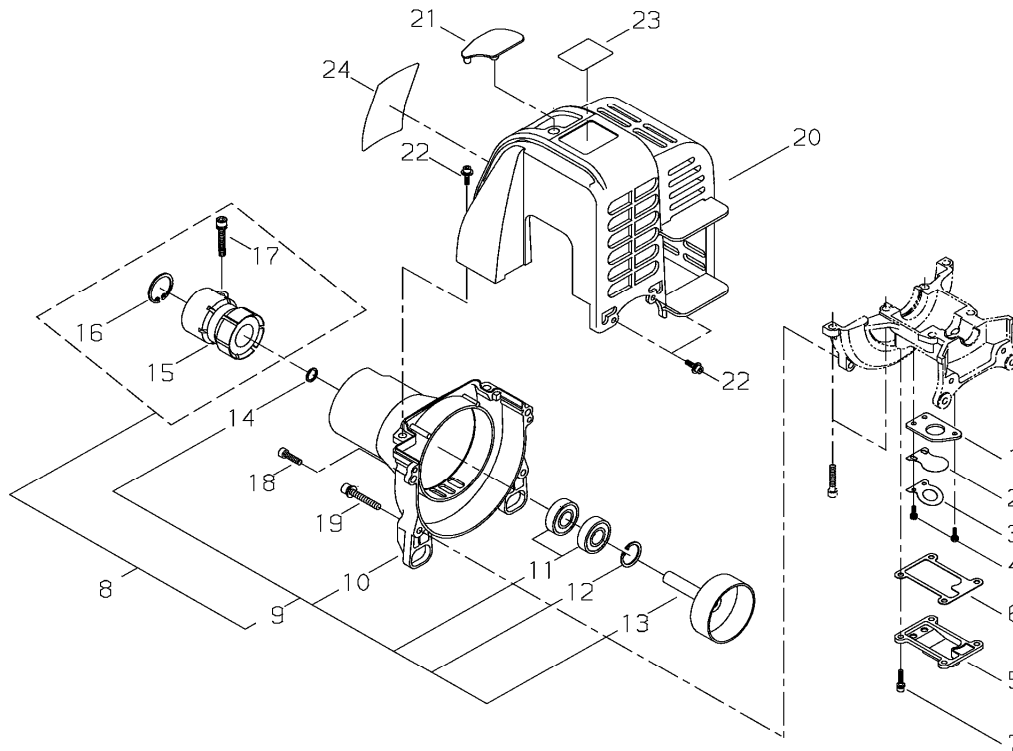
| KEY | LV | PART NUMBER | Q'TY | DESCRIPTION        | REMARKS     | NOTE1     | NOTE2 |
|-----|----|-------------|------|--------------------|-------------|-----------|-------|
| 1   |    | 60908-98330 | 1    | CYLINDER BLOCK SET |             |           |       |
| 2   | •  | 01020-05160 | 6    | BOLT               | M5*16 BLACK | M5x16     |       |
| 3   |    | 12492-40080 | 2    | ROLLER             |             | E4X8F6 C3 |       |
| 4   |    | 62902-12310 | 1    | REED VALVE         |             |           |       |
| 5   |    | 14350-01101 | 1    | LEAD WIRE          | L110        | L110      |       |
| 6   |    | 62902-12320 | 1    | BAFFLE PLATE COMP  |             |           |       |
| 7   | •  | 62901-12320 | 1    | BAFFLE PLATE       |             |           |       |
| 8   | •  | 62901-12220 | 2    | GASKET             |             |           |       |
| 9   |    | 11206-05225 | 4    | SCREW,PM-SPW       | M5*22       | M5x22     |       |
| 10  |    | 62901-83310 | 1    | BRACKET THROTTLE   |             |           |       |
| 11  |    | 62902-83310 | 1    | CABLE ADJUSTER     |             |           |       |
| 12  |    | 01501-06048 | 1    | NUT                |             | M6        |       |

## 2. MUFFLER



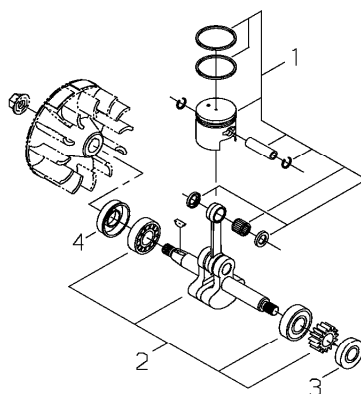
| KEY | LV | PART NUMBER | Q'TY | DESCRIPTION  | REMARKS     | NOTE1 | NOTE2 |
|-----|----|-------------|------|--------------|-------------|-------|-------|
| 1   |    | 62907-15011 | 1    | MUFFLER ASSY |             |       |       |
| 2   | •  | 62907-15111 | 1    | MUFFLER      |             |       |       |
| 3   | •  | 62902-15131 | 1    | SCREEN       |             |       |       |
| 4   | •  | 62907-15161 | 1    | TAIL PLATE   |             |       |       |
| 5   | •  | 11204-04060 | 2    | SCREW,PM-SW  |             | M4x6  |       |
| 6   |    | 62901-15210 | 1    | GASKET       |             |       |       |
| 7   |    | 62901-15310 | 2    | BOLT         |             |       |       |
| 8   |    | 01020-05160 | 1    | BOLT         | M5*16 BLACK | M5x16 |       |
| 9   |    | 01610-05080 | 3    | WASHER       |             | 5mm   |       |

## 3. CRANKCASE, FANCOVER

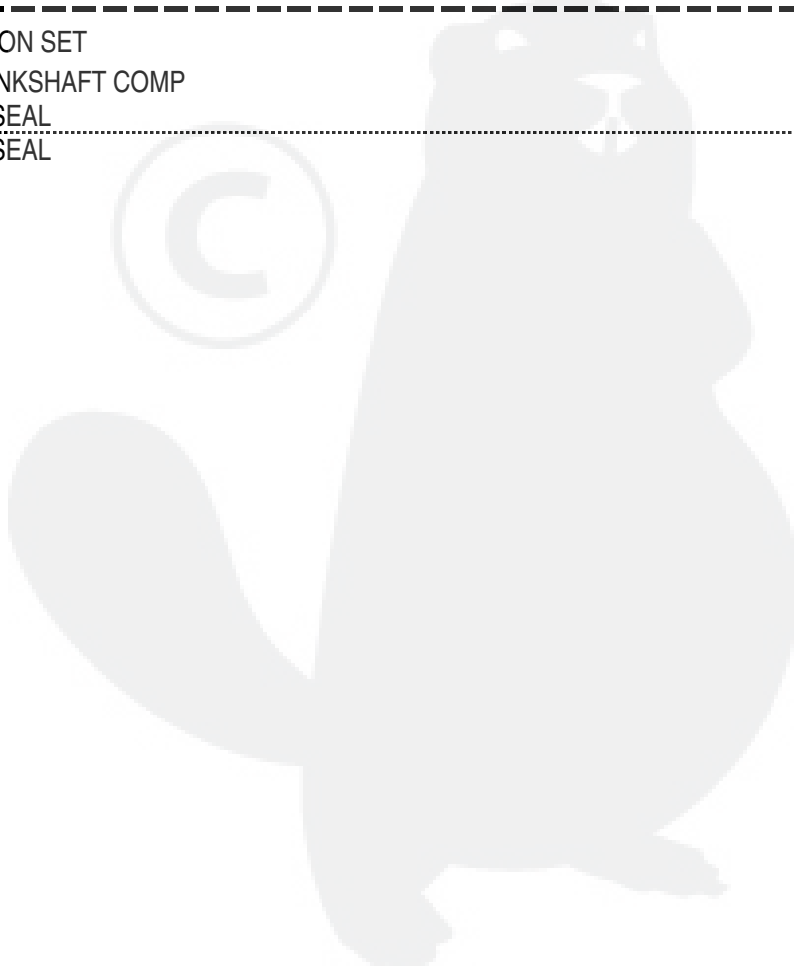


| KEY | LV | PART NUMBER | Q'TY | DESCRIPTION    | REMARKS     | NOTE1 | NOTE2        |
|-----|----|-------------|------|----------------|-------------|-------|--------------|
| 1   |    | 62901-21320 | 1    | INSULATOR      |             |       |              |
| 2   |    | 72320-83121 | 1    | VALVE          |             |       |              |
| 3   |    | 72320-83132 | 1    | STOPPER        |             |       |              |
| 4   |    | 01211-03100 | 3    | SCREW-SW       | M3*10       | M3x10 |              |
| 5   |    | 62901-21120 | 1    | COVER          |             |       |              |
| 6   |    | 62901-21130 | 1    | GASKET         |             |       |              |
| 7   |    | 11022-04120 | 4    | BOLT-SPW       | M4*12       | M4x12 |              |
| 8   |    | 60902-98023 | 1    | FAN COVER ASSY |             |       |              |
| 9   |    | 62901-31013 | 1    | FAN COVER COMP |             |       |              |
| 10  | •  | 62901-31112 | 1    | FAN COVER      |             |       |              |
| 11  | •  | 02002-06000 | 2    | BALL BEARING   |             |       | 6000ZZ       |
| 12  | •  | 02432-26120 | 1    | SNAP RING      |             |       | 26mm C       |
| 13  | •  | 62100-31210 | 1    | CLUTCH DRUM    |             |       |              |
| 14  | •  | 22000-13320 | 1    | SNAP RING      |             |       |              |
| 15  | •  | 20087-31411 | 1    | JOINT          |             |       |              |
| 16  | •  | 02432-40170 | 1    | SNAP RING      |             |       | 40mm C       |
| 17  | •  | 11020-05220 | 1    | BOLT-SW        |             |       | M5x22        |
| 18  |    | 01020-05160 | 2    | BOLT           | M5*16 BLACK |       | M5x16        |
| 19  |    | 11022-05450 | 2    | BOLT SPW       |             |       | M5x45        |
| 20  |    | 62901-32111 | 1    | CYLINDER COVER |             |       |              |
| 21  |    | 62901-32312 | 1    | GROMMET        |             |       |              |
| 22  |    | 11024-04160 | 4    | BOLT SLPW      |             |       | M4x16        |
| 23  |    | 68800-91320 | 1    | LABEL TRADE    |             |       |              |
| 24  |    | 19420-00106 | 1    | LABEL TRADE    |             |       | shindaiwa、C4 |

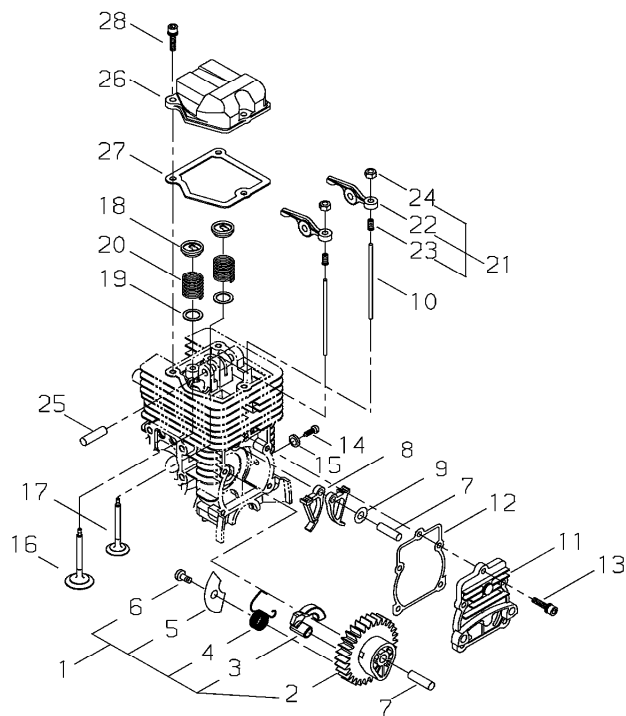
# 4. PISTON



| KEY | LV | PART NUMBER | Q'TY | DESCRIPTION     | REMARKS | NOTE1 | NOTE2 |
|-----|----|-------------|------|-----------------|---------|-------|-------|
| 1   |    | 62902-41310 | 1    | PISTON SET      |         |       |       |
| 2   |    | 62902-42020 | 1    | CRANKSHAFT COMP |         |       |       |
| 3   |    | 62901-42260 | 1    | OIL SEAL        |         |       |       |
| 4   |    | 62901-42270 | 1    | OIL SEAL        |         |       |       |

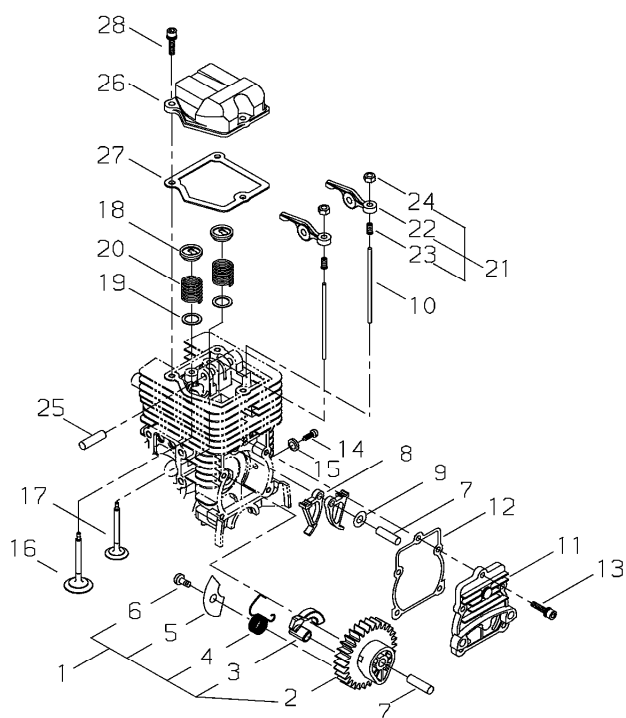


## 5. VALVE



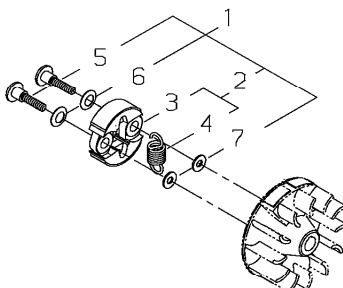
| KEY | LV | PART NUMBER | Q'TY | DESCRIPTION      | REMARKS     | NOTE1        | NOTE2 |
|-----|----|-------------|------|------------------|-------------|--------------|-------|
| 1   |    | 62905-43011 | 1    | CAM GEAR ASSY    |             |              |       |
| 2   | •  | 62902-43310 | 1    | CAM GEAR         |             |              |       |
| 3   | •  | 62907-43120 | 1    | WEIGHT           |             |              |       |
| 4   | •  | 17520-08900 | 1    | COIL SPRING      |             |              |       |
| 5   | •  | 62905-43131 | 1    | PLATE            |             |              |       |
| 6   | •  | 01280-04062 | 1    | SCREW, TAPPING   |             | 4x6          |       |
| 7   |    | 12492-50290 | 2    | ROLLER           | 5*L29.8     | N5X29.8F6-C3 |       |
| 8   |    | 62907-43210 | 2    | LIFTER           |             |              |       |
| 9   |    | 11620-10000 | 1    | WASHER           | T0.3        | 5mm          |       |
| 10  |    | 62908-43220 | 2    | PUSH ROD         |             |              |       |
| 11  |    | 62901-43330 | 1    | CAM GEAR COVER   |             |              |       |
| 12  |    | 62901-43240 | 1    | GASKET           |             |              |       |
| 13  |    | 11022-04140 | 5    | BOLT-SPW         | M4-14       | M4x14        |       |
| 14  |    | 62901-43310 | 1    | SCREW            |             |              |       |
| 15  |    | 15401-10028 | 1    | COLLAR           | 5.5,10 T=2  | φ10xφ5.5xL2  |       |
| 16  |    | 62902-44111 | 1    | INTAKE VALVE     |             |              |       |
| 17  |    | 62902-44121 | 1    | EXHAUST VALVE    |             |              |       |
| 18  |    | 62908-44140 | 2    | RETAINER         |             |              |       |
| 19  |    | 62908-44310 | 2    | PLATE            |             |              |       |
| 20  |    | 62901-44130 | 2    | VALVE SPRING     |             |              |       |
| 21  |    | 62907-44010 | 2    | ROCKER ARM ASSY  |             |              |       |
| 22  | •  | 62901-44210 | 2    | ROCKER ARM       |             |              |       |
| 23  | •  | 62907-44220 | 2    | ADJUST SCREW     |             |              |       |
| 24  | •  | 62901-44231 | 2    | NUT              |             |              |       |
| 25  |    | 12492-50310 | 1    | ROLLER           | NTN F5*31.8 | NTN F5X31.8  |       |
| 26  |    | 62901-44241 | 1    | ROCKER ARM COVER |             |              |       |

5. VALVE



| KEY | LV | PART NUMBER | Q'TY | DESCRIPTION | REMARKS | NOTE1 | NOTE2 |
|-----|----|-------------|------|-------------|---------|-------|-------|
| 27  |    | 62901-44250 | 1    | GASKET      |         |       |       |
| 28  |    | 11022-04140 | 3    | BOLT-SPW    | M4-14   | M4x14 |       |

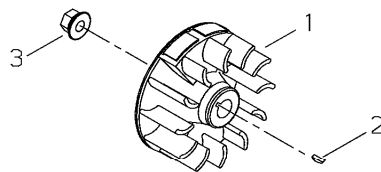
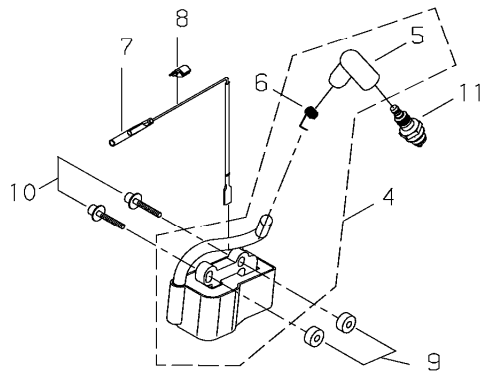
## 6. CLUTCH



| KEY | LV  | PART NUMBER | Q'TY | DESCRIPTION   | REMARKS | NOTE1 | NOTE2 |
|-----|-----|-------------|------|---------------|---------|-------|-------|
| 1   |     | 62901-51012 | 1    | CLUTCH SET    |         |       |       |
| 2   | •   | 62901-51022 | 1    | CLUTCH SHOE-A |         |       |       |
| 3   | • • | 70140-51113 | 2    | CLUTCH SHOE   |         |       |       |
| 4   | • • | 62901-51310 | 1    | COIL SPRING   |         |       |       |
| 5   | •   | 20087-51210 | 2    | BOLT          |         |       |       |
| 6   | •   | 20087-51231 | 2    | SPRING PLATE  |         |       |       |
| 7   | •   | 22100-71430 | 2    | WASHER        |         |       |       |

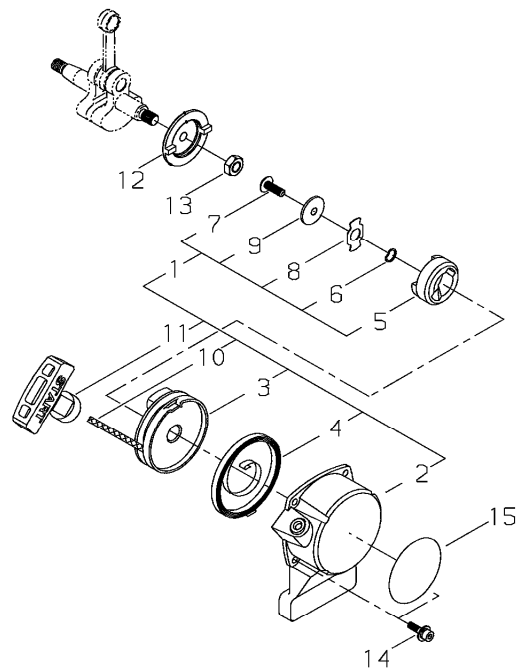


7. MAGNETO



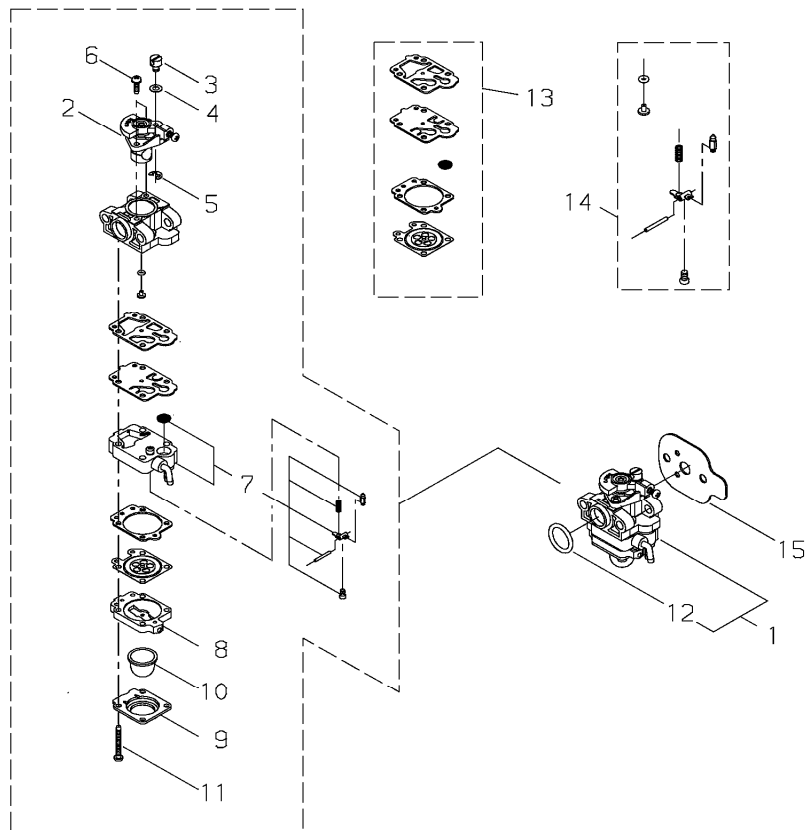
| KEY | LV | PART NUMBER | Q'TY | DESCRIPTION | REMARKS   | NOTE1  | NOTE2 |
|-----|----|-------------|------|-------------|-----------|--------|-------|
| 1   |    | 62905-71110 | 1    | ROTOR       |           |        |       |
| 2   |    | 02403-03100 | 1    | KEY         | 3*10      | 3x10 A |       |
| 3   |    | 20035-71220 | 1    | NUT         |           |        |       |
| 4   |    | 62905-71310 | 1    | COIL ASSY   |           |        |       |
| 5   | •  | 62905-71250 | 1    | PLUG CAP    |           |        |       |
| 6   | •  | 62905-71320 | 1    | COIL SPRING |           |        |       |
| 7   |    | 14350-02001 | 1    | LEAD WIRE   |           |        |       |
| 8   |    | 62901-71310 | 1    | GROMMET     |           |        |       |
| 9   |    | 70030-71620 | 2    | INSULATOR   |           |        |       |
| 10  |    | 11024-04265 | 2    | BOLT-SLPW   | M4*26     | M4x26  |       |
| 11  |    | 13001-10005 | 1    | PLIG        | NGK CMR5H | CMR5H  |       |

## 8. RECOIL STARTER



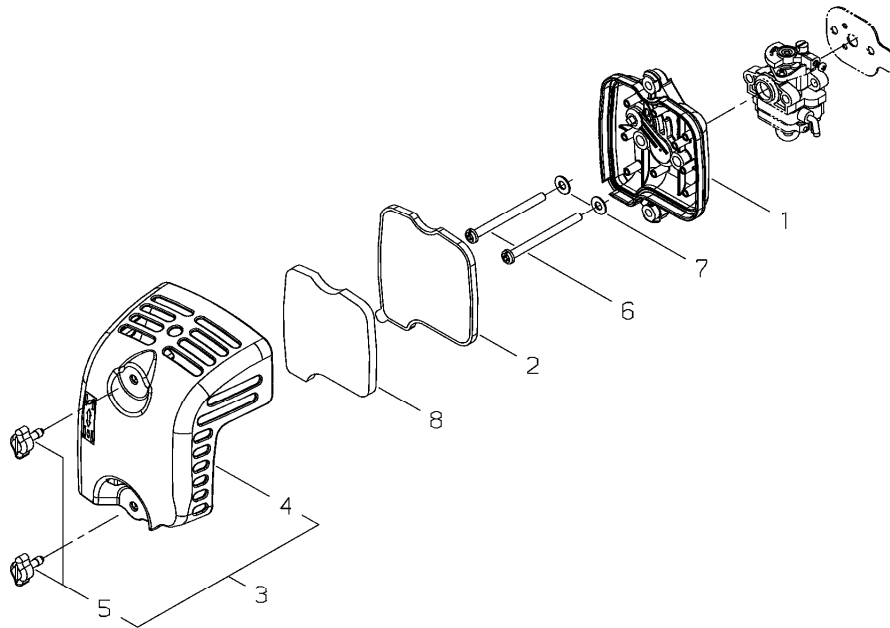
| KEY | LV | PART NUMBER | Q'TY | DESCRIPTION         | REMARKS | NOTE1        | NOTE2 |
|-----|----|-------------|------|---------------------|---------|--------------|-------|
| 1   |    | 62901-75012 | 1    | RECOIL STARTER ASSY |         |              |       |
| 2   | •  | 62901-75111 | 1    | STARTER CASE        |         |              |       |
| 3   | •  | 62901-75120 | 1    | REEL                |         |              |       |
| 4   | •  | 70064-75130 | 1    | RECOIL SPRING       |         |              |       |
| 5   | •  | 62901-75310 | 1    | DOG                 |         |              |       |
| 6   | •  | 70064-75150 | 1    | WAVE WASHER         |         |              |       |
| 7   | •  | 72933-75160 | 1    | SCREW               |         |              |       |
| 8   | •  | 72933-75170 | 1    | RETAINER            |         |              |       |
| 9   | •  | 72933-75180 | 1    | WASHER              |         |              |       |
| 10  | •  | 32004-75140 | 1    | ROPE                |         |              |       |
| 11  | •  | 32004-75150 | 1    | KNOB                |         |              |       |
| 12  |    | 70064-75310 | 1    | STARTER PULLEY      |         |              |       |
| 13  |    | 01511-08051 | 1    | NUT                 |         | M8           |       |
| 14  |    | 11024-04160 | 2    | BOLT SLPW           |         | M4x16        |       |
| 15  |    | 19420-00070 | 1    | LABEL TRADE         |         | shindaiwa、C4 |       |

## 9. CARBURETOR



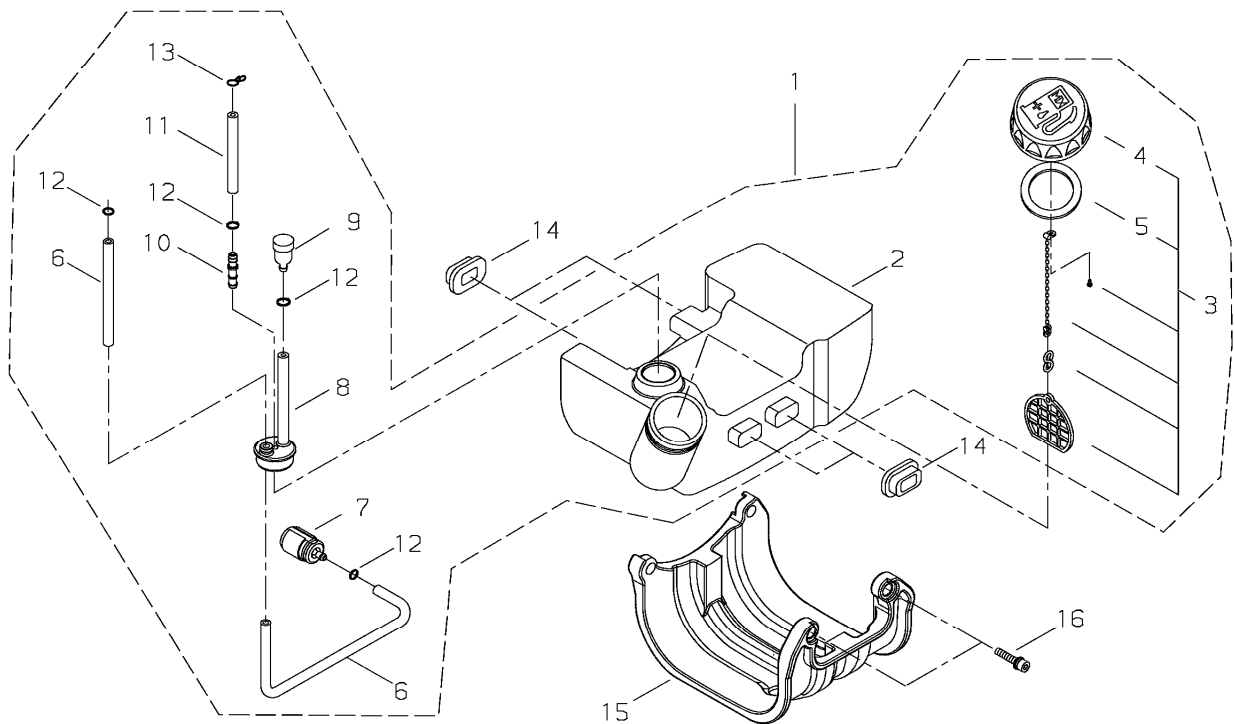
| KEY | LV | PART NUMBER | Q'TY | DESCRIPTION     | REMARKS | NOTE1 | NOTE2 |
|-----|----|-------------|------|-----------------|---------|-------|-------|
| 1   |    | 62908-81011 | 1    | CARBURETOR ASSY |         |       |       |
| 2   | •  | 62908-81311 | 1    | VALVE           |         |       |       |
| 3   | •  | 72933-81450 | 1    | SWIVEL          |         |       |       |
| 4   | •  | 20089-81185 | 1    | WASHER          |         |       |       |
| 5   | •  | 20036-81195 | 1    | E RING          |         |       |       |
| 6   | •  | 70064-81290 | 2    | SCREW           | M3*10   |       |       |
| 7   | •  | 37013-81350 | 1    | PUMP BODY ASSY  |         |       |       |
| 8   | •  | 20016-81420 | 1    | PUMP BASE COMP  |         |       |       |
| 9   | •  | 20016-81510 | 1    | PUMP COVER      |         |       |       |
| 10  | •  | 20036-81670 | 1    | PRIMER PUMP     |         |       |       |
| 11  | •  | 20016-81140 | 4    | SCREW           |         |       |       |
| 12  | •  | 20016-81250 | 1    | O RING          |         |       |       |
| 13  |    | 60902-98030 | 1    | GASKRT          |         |       |       |
| 14  |    | 60908-98360 | 1    | VALVE SET       |         |       |       |
| 15  |    | 62901-81211 | 1    | GASKET          |         |       |       |

## 10. AIR CLEANER



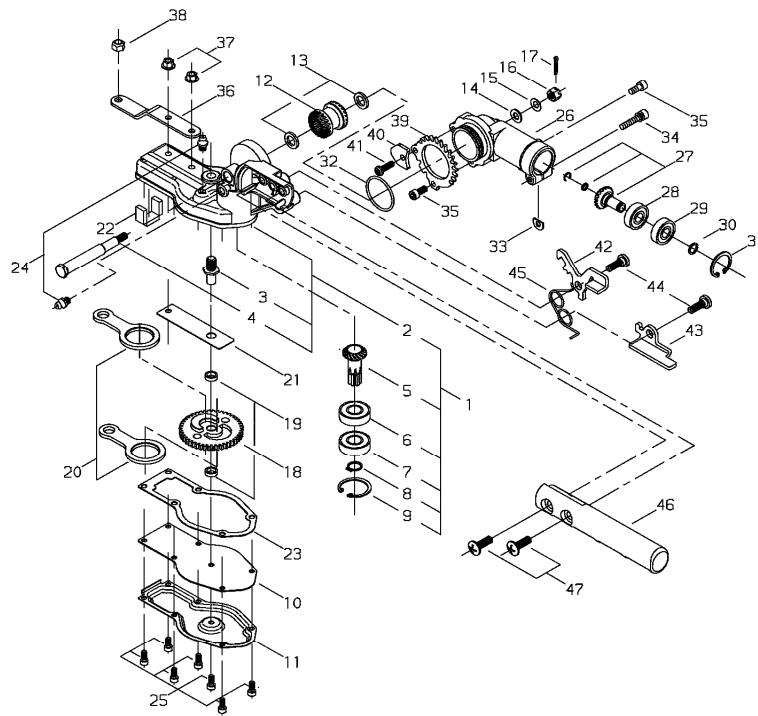
| KEY | LV | PART NUMBER | Q'TY | DESCRIPTION        | REMARKS | NOTE1 | NOTE2 |
|-----|----|-------------|------|--------------------|---------|-------|-------|
| 1   |    | 62908-82010 | 1    | CLEANER BODY ASSY  |         |       |       |
| 2   |    | 62908-82120 | 1    | FILTER             |         |       |       |
| 3   |    | 62908-82030 | 1    | CLEANER COVER ASSY |         |       |       |
| 4   | •  | 62908-82130 | 1    | CLEANER COVER      |         |       |       |
| 5   | •  | 62901-82330 | 2    | KNOB               |         |       |       |
| 6   |    | 11203-05605 | 2    | SCREW,PM           |         | M5x60 |       |
| 7   |    | 01613-05080 | 2    | WASHER             |         | 5mm   |       |
| 8   |    | 62908-82310 | 1    | PREFILTER          |         |       |       |

## 11. FUEL TANK



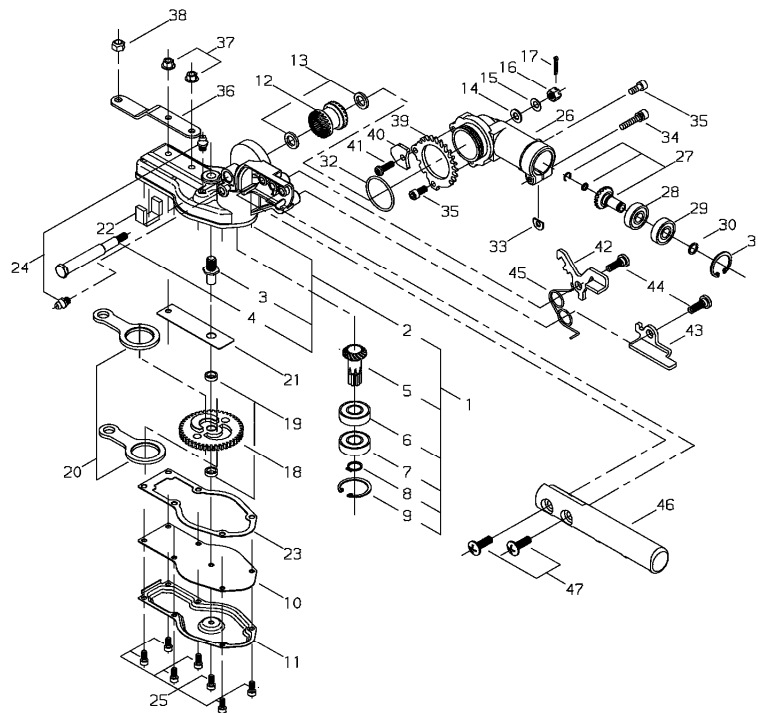
| KEY | LV  | PART NUMBER | Q'TY | DESCRIPTION    | REMARKS | NOTE1 | NOTE2 |
|-----|-----|-------------|------|----------------|---------|-------|-------|
| 1   |     | 68906-85310 | 1    | FUEL TANK ASSY |         |       |       |
| 2   | •   | 62901-85110 | 1    | FUEL TANK      |         |       |       |
| 3   | •   | 70168-85201 | 1    | FUEL CAP ASSY  |         |       |       |
| 4   | • • | 70168-85210 | 1    | FUEL CAP       |         |       |       |
| 5   | • • | 20000-85221 | 1    | GASKET         |         |       |       |
| 6   | •   | 62901-85310 | 1    | PIPE           |         |       |       |
| 7   | •   | 20016-85400 | 1    | FUEL FILTER    |         |       |       |
| 8   | •   | 20112-85351 | 1    | GROMMET        |         |       |       |
| 9   | •   | 22197-33960 | 1    | VALVE          |         |       |       |
| 10  | •   | 72933-85620 | 1    | JOINT          |         |       |       |
| 11  | •   | 68906-85320 | 1    | PIPE           |         |       |       |
| 12  | •   | 20020-85540 | 4    | CLIP           |         |       |       |
| 13  | •   | 37013-85310 | 1    | CLIP           |         |       |       |
| 14  |     | 62901-85220 | 4    | TANK CUSHION   |         |       |       |
| 15  |     | 62902-85320 | 1    | TANK GUARD     |         |       |       |
| 16  |     | 11022-05200 | 2    | BOLT SPW       |         | M5x20 |       |

## 12. GEAR CASE



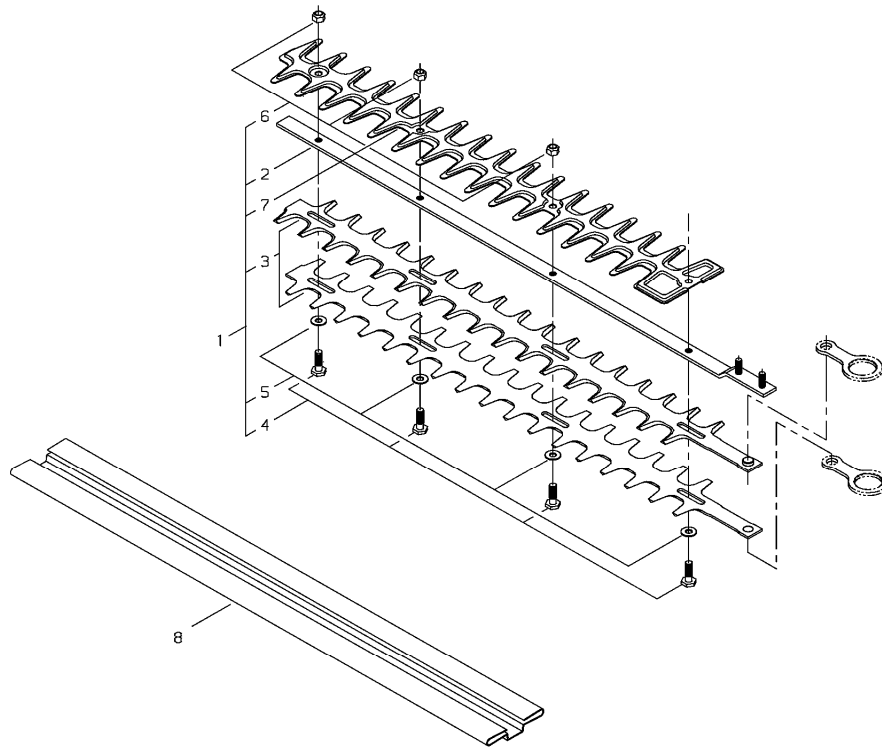
| KEY | LV  | PART NUMBER | Q'TY | DESCRIPTION     | REMARKS | NOTE1       | NOTE2 |
|-----|-----|-------------|------|-----------------|---------|-------------|-------|
| 1   |     | 63840-61011 | 1    | GEAR CASE COMP  |         |             |       |
| 2   | •   | 63840-61111 | 1    | GEAR CASE       |         |             |       |
| 3   | • • | 68120-61320 | 1    | MAIN SHAFT      |         |             |       |
| 4   | • • | 63840-61320 | 1    | SHAFT           |         |             |       |
| 5   | •   | 63840-61330 | 1    | PINION SHAFT    |         |             |       |
| 6   | •   | 02000-06001 | 1    | BEARING         |         | 6001        |       |
| 7   | •   | 02002-06001 | 1    | BEARING         |         | 6001ZZ      |       |
| 8   | •   | 02430-12100 | 1    | SNAP RING       |         | 12mm C      |       |
| 9   | •   | 02432-28120 | 1    | SNAP RING       |         | 28mm C      |       |
| 10  |     | 68120-61120 | 1    | CASE COVER      |         |             |       |
| 11  |     | 63840-61340 | 1    | COVER           |         |             |       |
| 12  |     | 63840-61350 | 1    | BEVEL GEAR      |         |             |       |
| 13  |     | 15401-11010 | 2    | COLLAR          |         | φ16xφ10xL2  |       |
| 14  |     | 01613-06100 | 1    | WASHER          |         | 6mm         |       |
| 15  |     | 20024-81790 | 1    | CONE WASHER     |         |             |       |
| 16  |     | 63840-61370 | 1    | NUT             |         |             |       |
| 17  |     | 02421-16150 | 1    | PIN             |         | 1.6x15      |       |
| 18  |     | 68120-61130 | 1    | CAM GEAR        |         |             |       |
| 19  |     | 15401-10025 | 2    | COLLAR          |         | φ11xφ8xL3.4 |       |
| 20  |     | 68120-61170 | 2    | ROD             |         |             |       |
| 21  |     | 68120-61331 | 1    | PLATE           |         |             |       |
| 22  |     | 68120-61340 | 1    | PACKING         |         |             |       |
| 23  |     | 68120-61351 | 1    | GASKET          |         |             |       |
| 24  |     | 20870-61640 | 2    | GREASE NIPPLE   |         |             |       |
| 25  |     | 01020-04100 | 7    | BOLT            |         | M4x10       |       |
| 26  |     | 63840-63310 | 1    | GEAR CASE UPPER |         |             |       |

## 12. GEAR CASE



| KEY | LV | PART NUMBER | Q'TY | DESCRIPTION   | REMARKS | NOTE1     | NOTE2 |
|-----|----|-------------|------|---------------|---------|-----------|-------|
| 27  |    | 63840-63320 | 1    | BEVEL PINION  |         |           |       |
| 28  |    | 02000-00609 | 1    | BEARING       |         | 609       |       |
| 29  |    | 02002-00609 | 1    | BEARING       |         | 609ZZ     |       |
| 30  |    | 22420-13350 | 1    | SNAP RING     |         |           |       |
| 31  |    | 02432-24120 | 1    | SNAP RING     |         | 24mm C    |       |
| 32  |    | 02304-03150 | 1    | O RING        |         | NOK S31.5 |       |
| 33  |    | 22000-13420 | 1    | SHIM          |         |           |       |
| 34  |    | 11023-05250 | 1    | BOLT SW       |         | M5x25     |       |
| 35  |    | 01020-05120 | 2    | BOLT          | M5*12   | M5x12     |       |
| 36  |    | 68120-62331 | 1    | HOLDER        |         |           |       |
| 37  |    | 11526-05212 | 2    | FLANGE NUT    |         | M5        |       |
| 38  |    | 22011-97840 | 1    | LOCK NUT      |         |           |       |
| 39  |    | 63840-66310 | 1    | ADJUST PLATE  |         |           |       |
| 40  |    | 68142-66310 | 1    | STOPPER PLATE |         |           |       |
| 41  |    | 68142-66321 | 1    | SCREW         |         |           |       |
| 42  |    | 63840-66320 | 1    | LOCK LEVER    |         |           |       |
| 43  |    | 63840-66330 | 1    | SAFTY LEVER   |         |           |       |
| 44  |    | 22106-71441 | 2    | PIN RATCHET   |         |           |       |
| 45  |    | 17520-18601 | 1    | COIL SPRING   |         |           |       |
| 46  |    | 63840-66350 | 1    | HANDLE        |         |           |       |
| 47  |    | 01215-06208 | 2    | SCREW TRUSS   |         | M6x20     |       |

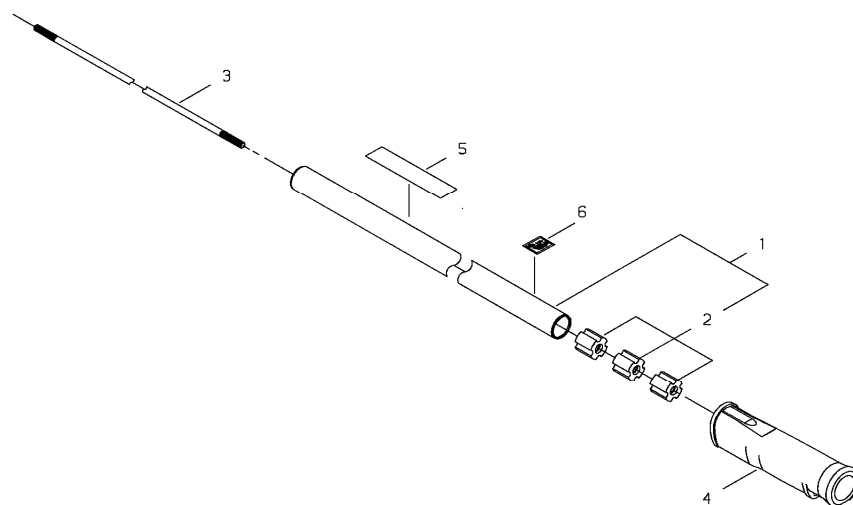
## 13. BLADE



| KEY | LV | PART NUMBER | Q'TY | DESCRIPTION | REMARKS | NOTE1 | NOTE2 |
|-----|----|-------------|------|-------------|---------|-------|-------|
| 1   |    | 68142-62010 | 1    | CUTTER ASSY |         |       |       |
| 2   | •  | 18501-50000 | 1    | GUIDE BAR   |         |       |       |
| 3   | •  | 18500-50102 | 2    | BLADE       |         |       |       |
| 4   | •  | 20870-62110 | 4    | BOLT        |         |       |       |
| 5   | •  | 20870-62131 | 4    | WASHER      |         |       |       |
| 6   | •  | 22011-97840 | 3    | LOCK NUT    |         |       |       |
| 7   | •  | 68122-62320 | 1    | PROTECTOR   |         |       |       |
| 8   |    | 19601-01506 | 1    | BLADE COVER |         |       |       |

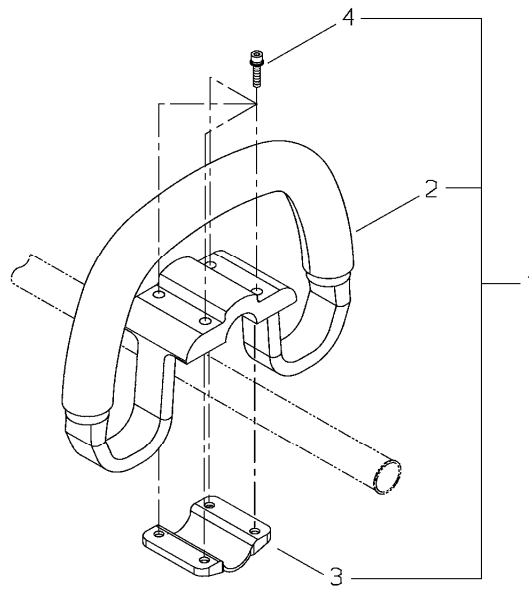


14. OUTER PIPE



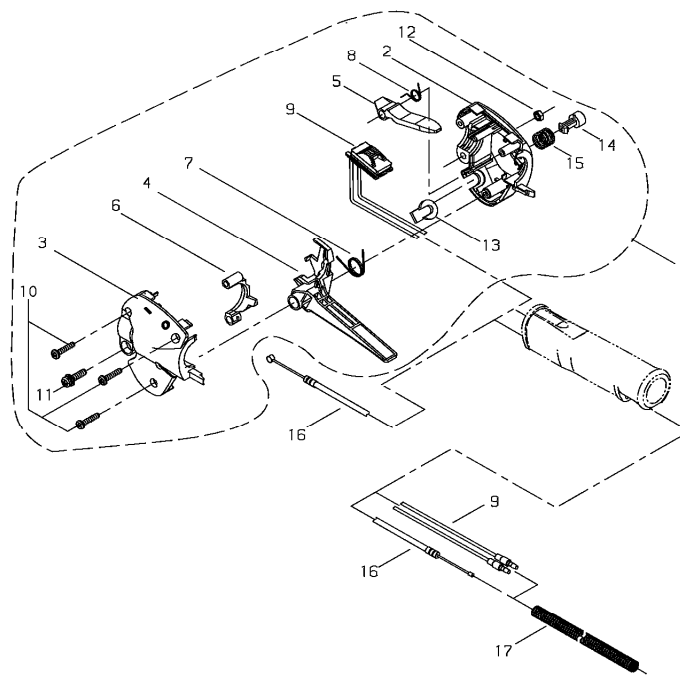
| KEY | LV | PART NUMBER | Q'TY | DESCRIPTION     | REMARKS | NOTE1    | NOTE2 |
|-----|----|-------------|------|-----------------|---------|----------|-------|
| 1   |    | 65005-62010 | 1    | OUTER PIPE COMP |         |          |       |
| 2   |    | 22035-12121 | 3    | BUSH            |         |          |       |
| 3   |    | 68142-64310 | 1    | MAIN SHAFT      |         |          |       |
| 4   |    | 63901-62142 | 1    | GRIP            |         |          |       |
| 5   |    | 19402-00314 | 1    | LABEL CAUTION   |         |          |       |
| 6   |    | 19404-00073 | 1    | LABEL DECIBEL   |         | 104dB(A) |       |

## 15. HANDLE



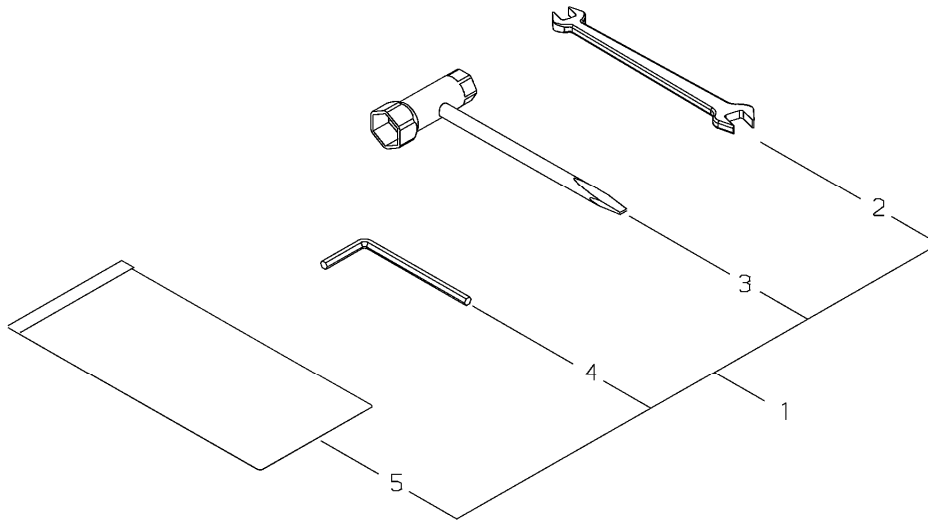
| KEY | LV | PART NUMBER | Q'TY | DESCRIPTION | REMARKS | NOTE1 | NOTE2 |
|-----|----|-------------|------|-------------|---------|-------|-------|
| 1   |    | 62901-64013 | 1    | HANDLE ASSY |         |       |       |
| 2   | •  | 62901-64113 | 1    | HANDLE      |         |       |       |
| 3   | •  | 62901-64120 | 1    | CLAMP       |         |       |       |
| 4   | •  | 11022-05250 | 4    | BOLT SPW    |         | M5x25 |       |

## 16. THROTTLE LEVER



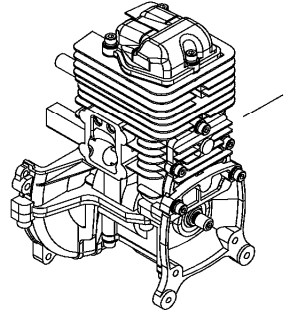
| KEY | LV | PART NUMBER | Q'TY | DESCRIPTION         | REMARKS | NOTE1 | NOTE2 |
|-----|----|-------------|------|---------------------|---------|-------|-------|
| 1   |    | 63904-62020 | 1    | THROTTLE LEVER ASSY |         |       |       |
| 2   | •  | 72549-62320 | 1    | BODY RIGHT          |         |       |       |
| 3   | •  | 63002-62330 | 1    | BODY LEFT           |         |       |       |
| 4   | •  | 63002-62340 | 1    | LEVER               |         |       |       |
| 5   | •  | 63901-62352 | 1    | LOCK LEVER          |         |       |       |
| 6   | •  | 63002-62350 | 1    | HOLDER              |         |       |       |
| 7   | •  | 63880-65350 | 1    | COIL SPRING         |         |       |       |
| 8   | •  | 63901-62370 | 1    | COIL SPRING         |         |       |       |
| 9   | •  | 63901-62380 | 1    | SWITCH              |         |       |       |
| 10  | •  | 63880-65360 | 3    | SCREW TAPPING       |         |       |       |
| 11  | •  | 11206-05201 | 1    | SCREW PM SPW        |         |       | M5x20 |
| 12  | •  | 01501-05030 | 1    | NUT                 | M5      |       | M5    |
| 13  | •  | 63880-65411 | 1    | PLUG                |         |       |       |
| 14  | •  | 70871-65170 | 1    | BUTTON              |         |       |       |
| 15  | •  | 70871-65180 | 1    | COIL SPRING         |         |       |       |
| 16  |    | 63901-62173 | 1    | THROTTLE CABLE      |         |       |       |
| 17  |    | 63901-62440 | 1    | TUBE                |         |       |       |

17. TOOL

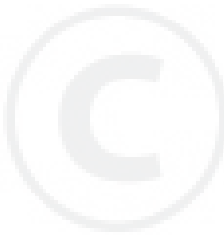


| KEY | LV | PART NUMBER | Q'TY | DESCRIPTION | REMARKS       | NOTE1             | NOTE2 |
|-----|----|-------------|------|-------------|---------------|-------------------|-------|
| 1   |    | 62901-92010 | 1    | TOOL SET    |               |                   |       |
| 2   | •  | 22000-91120 | 1    | SPANNER     |               |                   |       |
| 3   | •  | 22580-91180 | 1    | PLUG WRENCH |               |                   |       |
| 4   | •  | 09026-04001 | 1    | HEXA WRENCH | 4MM M5ㄗ       | 4mm M5            |       |
| 5   | •  | 19639-01400 | 1    | BAG,PACKING | 140*200*T0.08 | G-8 140*200*t0.08 |       |

18. OPTION PARTS (ENGINE)



| KEY | LV | PART NUMBER | Q'TY | DESCRIPTION | REMARKS | NOTE1 | NOTE2 |
|-----|----|-------------|------|-------------|---------|-------|-------|
| 1   |    | 60908-98380 | 1    | SHORT BLOCK |         |       |       |



**Index**

| <b>Patrs Number</b> | <b>Key No.</b> | <b>Patrs Number</b> | <b>Key No.</b> | <b>Patrs Number</b> | <b>Key No.</b> |
|---------------------|----------------|---------------------|----------------|---------------------|----------------|
| 01020-04100         | 12 - 25        | 14350-01101         | 1 - 5          | 60902-98023         | 3 - 8          |
| 01020-05120         | 12 - 35        | 14350-02001         | 7 - 7          | 60902-98030         | 9 - 13         |
| 01020-05160         | 1 - 2          | 15401-10025         | 12 - 19        | 60908-98330         | 1 - 1          |
| 01020-05160         | 2 - 8          | 15401-10028         | 5 - 15         | 60908-98360         | 9 - 14         |
| 01020-05160         | 3 - 18         | 15401-11010         | 12 - 13        | 60908-98380         | 18 - 1         |
| 01211-03100         | 3 - 4          | 17520-08900         | 5 - 4          | 62100-31210         | 3 - 13         |
| 01215-06208         | 12 - 47        | 17520-18601         | 12 - 45        | 62901-12220         | 1 - 8          |
| 01280-04062         | 5 - 6          | 18500-50102         | 13 - 3         | 62901-12320         | 1 - 7          |
| 01501-05030         | 16 - 12        | 18501-50000         | 13 - 2         | 62901-15210         | 2 - 6          |
| 01501-06048         | 1 - 12         | 19402-00314         | 14 - 5         | 62901-15310         | 2 - 7          |
| 01511-08051         | 8 - 13         | 19404-00073         | 14 - 6         | 62901-21120         | 3 - 5          |
| 01610-05080         | 2 - 9          | 19420-00070         | 8 - 15         | 62901-21130         | 3 - 6          |
| 01613-05080         | 10 - 7         | 19420-00106         | 3 - 24         | 62901-21320         | 3 - 1          |
| 01613-06100         | 12 - 14        | 19601-01506         | 13 - 8         | 62901-31013         | 3 - 9          |
| 02000-00609         | 12 - 28        | 19639-01400         | 17 - 5         | 62901-31112         | 3 - 10         |
| 02000-06001         | 12 - 6         | 20000-85221         | 11 - 5         | 62901-32111         | 3 - 20         |
| 02002-00609         | 12 - 29        | 20016-81140         | 9 - 11         | 62901-32312         | 3 - 21         |
| 02002-06000         | 3 - 11         | 20016-81250         | 9 - 12         | 62901-42260         | 4 - 3          |
| 02002-06001         | 12 - 7         | 20016-81420         | 9 - 8          | 62901-42270         | 4 - 4          |
| 02304-03150         | 12 - 32        | 20016-81510         | 9 - 9          | 62901-43240         | 5 - 12         |
| 02403-03100         | 7 - 2          | 20016-85400         | 11 - 7         | 62901-43310         | 5 - 14         |
| 02421-16150         | 12 - 17        | 20020-85540         | 11 - 12        | 62901-43330         | 5 - 11         |
| 02430-12100         | 12 - 8         | 20024-81790         | 12 - 15        | 62901-44130         | 5 - 20         |
| 02432-24120         | 12 - 31        | 20035-71220         | 7 - 3          | 62901-44210         | 5 - 22         |
| 02432-26120         | 3 - 12         | 20036-81195         | 9 - 5          | 62901-44231         | 5 - 24         |
| 02432-28120         | 12 - 9         | 20036-81670         | 9 - 10         | 62901-44241         | 5 - 26         |
| 02432-40170         | 3 - 16         | 20087-31411         | 3 - 15         | 62901-44250         | 5 - 27         |
| 09026-04001         | 17 - 4         | 20087-51210         | 6 - 5          | 62901-51012         | 6 - 1          |
| 11020-05220         | 3 - 17         | 20087-51231         | 6 - 6          | 62901-51022         | 6 - 2          |
| 11022-04120         | 3 - 7          | 20089-81185         | 9 - 4          | 62901-51310         | 6 - 4          |
| 11022-04140         | 5 - 13         | 20112-85351         | 11 - 8         | 62901-64013         | 15 - 1         |
| 11022-04140         | 5 - 28         | 20870-61640         | 12 - 24        | 62901-64113         | 15 - 2         |
| 11022-05200         | 11 - 16        | 20870-62110         | 13 - 4         | 62901-64120         | 15 - 3         |
| 11022-05250         | 15 - 4         | 20870-62131         | 13 - 5         | 62901-71310         | 7 - 8          |
| 11022-05450         | 3 - 19         | 22000-13320         | 3 - 14         | 62901-75012         | 8 - 1          |
| 11023-05250         | 12 - 34        | 22000-13420         | 12 - 33        | 62901-75111         | 8 - 2          |
| 11024-04160         | 3 - 22         | 22000-91120         | 17 - 2         | 62901-75120         | 8 - 3          |
| 11024-04160         | 8 - 14         | 22011-97840         | 12 - 38        | 62901-75310         | 8 - 5          |
| 11024-04265         | 7 - 10         | 22011-97840         | 13 - 6         | 62901-81211         | 9 - 15         |
| 11203-05605         | 10 - 6         | 22035-12121         | 14 - 2         | 62901-82330         | 10 - 5         |
| 11204-04060         | 2 - 5          | 22100-71430         | 6 - 7          | 62901-83310         | 1 - 10         |
| 11206-05201         | 16 - 11        | 22106-71441         | 12 - 44        | 62901-85110         | 11 - 2         |
| 11206-05225         | 1 - 9          | 22197-33960         | 11 - 9         | 62901-85220         | 11 - 14        |
| 11526-05212         | 12 - 37        | 22420-13350         | 12 - 30        | 62901-85310         | 11 - 6         |
| 11620-10000         | 5 - 9          | 22580-91180         | 17 - 3         | 62901-92010         | 17 - 1         |
| 12492-40080         | 1 - 3          | 32004-75140         | 8 - 10         | 62902-12310         | 1 - 4          |
| 12492-50290         | 5 - 7          | 32004-75150         | 8 - 11         | 62902-12320         | 1 - 6          |
| 12492-50310         | 5 - 25         | 37013-81350         | 9 - 7          | 62902-15131         | 2 - 3          |
| 13001-10005         | 7 - 11         | 37013-85310         | 11 - 13        | 62902-41310         | 4 - 1          |

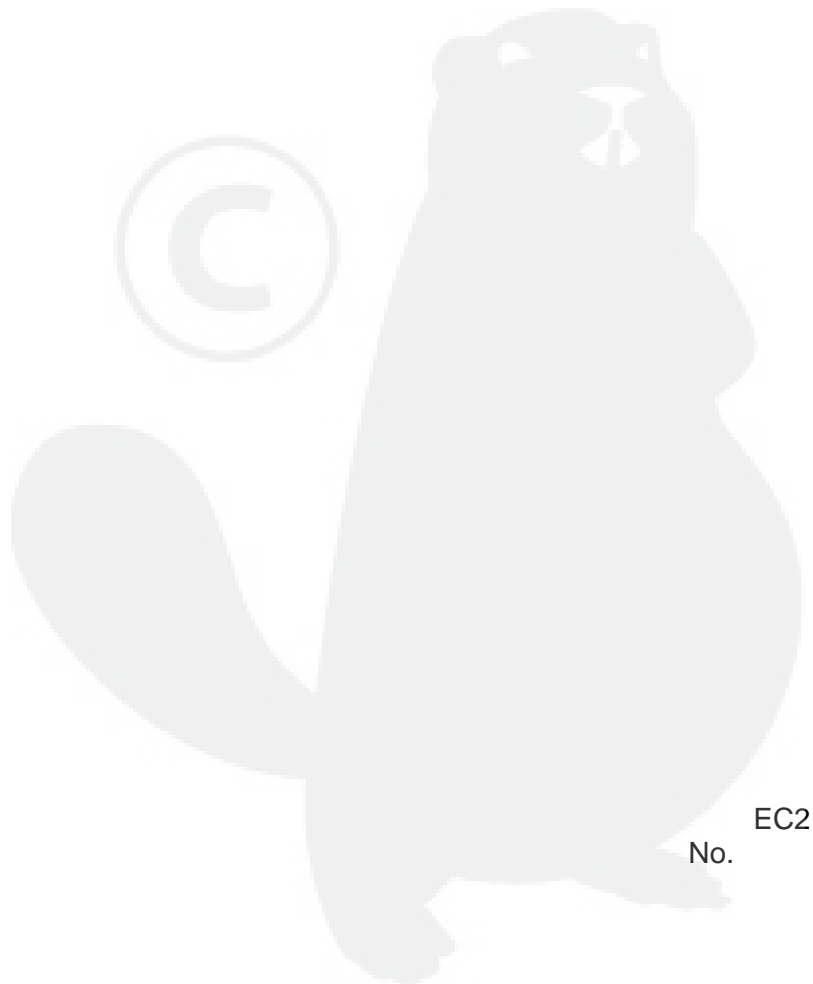
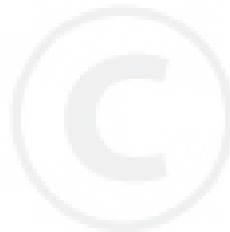
**Index**

| <b>Patrs Number</b> | <b>Key No.</b> | <b>Patrs Number</b> | <b>Key No.</b> | <b>Patrs Number</b> | <b>Key No.</b> |
|---------------------|----------------|---------------------|----------------|---------------------|----------------|
| 62902-42020         | 4 - 2          | 63901-62173         | 16 - 16        |                     |                |
| 62902-43310         | 5 - 2          | 63901-62352         | 16 - 5         |                     |                |
| 62902-44111         | 5 - 16         | 63901-62370         | 16 - 8         |                     |                |
| 62902-44121         | 5 - 17         | 63901-62380         | 16 - 9         |                     |                |
| 62902-83310         | 1 - 11         | 63901-62440         | 16 - 17        |                     |                |
| 62902-85320         | 11 - 15        | 63904-62020         | 16 - 1         |                     |                |
| 62905-43011         | 5 - 1          | 65005-62010         | 14 - 1         |                     |                |
| 62905-43131         | 5 - 5          | 68120-61120         | 12 - 10        |                     |                |
| 62905-71110         | 7 - 1          | 68120-61130         | 12 - 18        |                     |                |
| 62905-71250         | 7 - 5          | 68120-61170         | 12 - 20        |                     |                |
| 62905-71310         | 7 - 4          | 68120-61320         | 12 - 3         |                     |                |
| 62905-71320         | 7 - 6          | 68120-61331         | 12 - 21        |                     |                |
| 62907-15011         | 2 - 1          | 68120-61340         | 12 - 22        |                     |                |
| 62907-15111         | 2 - 2          | 68120-61351         | 12 - 23        |                     |                |
| 62907-15161         | 2 - 4          | 68120-62331         | 12 - 36        |                     |                |
| 62907-43120         | 5 - 3          | 68122-62320         | 13 - 7         |                     |                |
| 62907-43210         | 5 - 8          | 68142-62010         | 13 - 1         |                     |                |
| 62907-44010         | 5 - 21         | 68142-64310         | 14 - 3         |                     |                |
| 62907-44220         | 5 - 23         | 68142-66310         | 12 - 40        |                     |                |
| 62908-43220         | 5 - 10         | 68142-66321         | 12 - 41        |                     |                |
| 62908-44140         | 5 - 18         | 68800-91320         | 3 - 23         |                     |                |
| 62908-44310         | 5 - 19         | 68906-85310         | 11 - 1         |                     |                |
| 62908-81011         | 9 - 1          | 68906-85320         | 11 - 11        |                     |                |
| 62908-81311         | 9 - 2          | 70030-71620         | 7 - 9          |                     |                |
| 62908-82010         | 10 - 1         | 70064-75130         | 8 - 4          |                     |                |
| 62908-82030         | 10 - 3         | 70064-75150         | 8 - 6          |                     |                |
| 62908-82120         | 10 - 2         | 70064-75310         | 8 - 12         |                     |                |
| 62908-82130         | 10 - 4         | 70064-81290         | 9 - 6          |                     |                |
| 62908-82310         | 10 - 8         | 70140-51113         | 6 - 3          |                     |                |
| 63002-62330         | 16 - 3         | 70168-85201         | 11 - 3         |                     |                |
| 63002-62340         | 16 - 4         | 70168-85210         | 11 - 4         |                     |                |
| 63002-62350         | 16 - 6         | 70871-65170         | 16 - 14        |                     |                |
| 63840-61011         | 12 - 1         | 70871-65180         | 16 - 15        |                     |                |
| 63840-61111         | 12 - 2         | 72320-83121         | 3 - 2          |                     |                |
| 63840-61320         | 12 - 4         | 72320-83132         | 3 - 3          |                     |                |
| 63840-61330         | 12 - 5         | 72549-62320         | 16 - 2         |                     |                |
| 63840-61340         | 12 - 11        | 72933-75160         | 8 - 7          |                     |                |
| 63840-61350         | 12 - 12        | 72933-75170         | 8 - 8          |                     |                |
| 63840-61370         | 12 - 16        | 72933-75180         | 8 - 9          |                     |                |
| 63840-63310         | 12 - 26        | 72933-81450         | 9 - 3          |                     |                |
| 63840-63320         | 12 - 27        | 72933-85620         | 11 - 10        |                     |                |
| 63840-66310         | 12 - 39        |                     |                |                     |                |
| 63840-66320         | 12 - 42        |                     |                |                     |                |
| 63840-66330         | 12 - 43        |                     |                |                     |                |
| 63840-66350         | 12 - 46        |                     |                |                     |                |
| 63880-65350         | 16 - 7         |                     |                |                     |                |
| 63880-65360         | 16 - 10        |                     |                |                     |                |
| 63880-65411         | 16 - 13        |                     |                |                     |                |
| 63901-62142         | 14 - 4         |                     |                |                     |                |

# YAMABIKO CORPORATION

7-2 SUEHIROCHO 1-CHOME, OHME, TOKYO 198-8760, JAPAN  
PHONE: 81-428-32-6118. FAX: 81-428-32-6145.

**shindaiwa<sup>®</sup>**



EC2  
No.