

shindaiwa[®]

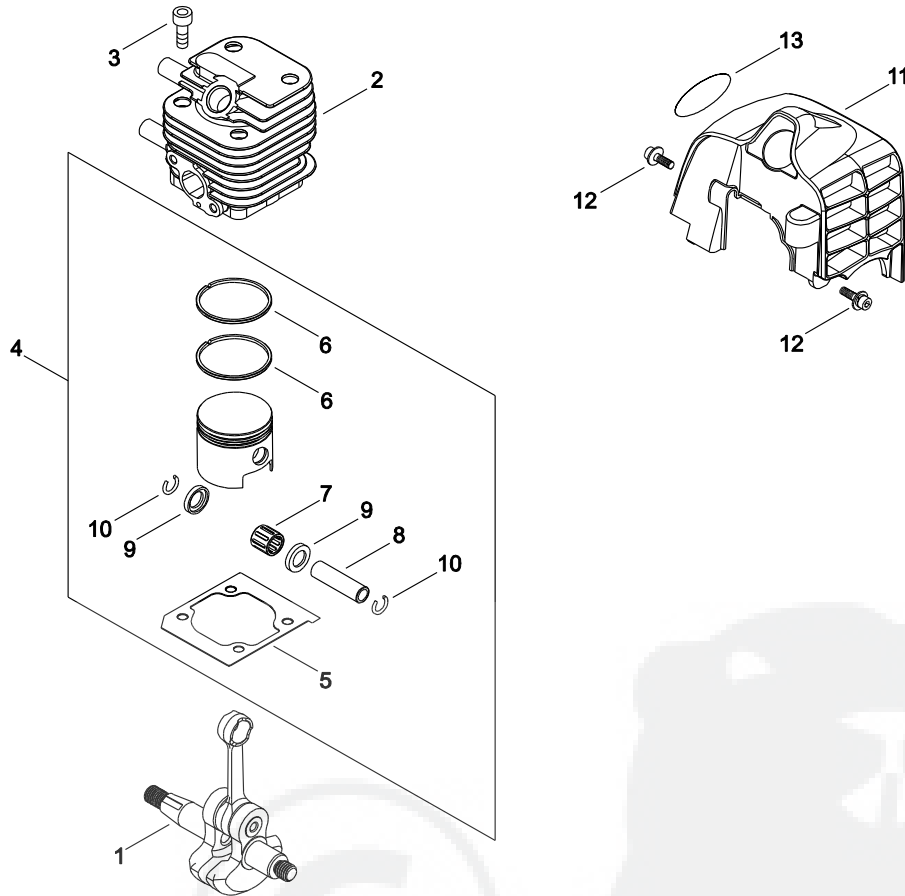
PARTS CATALOG
SHAFT HEDGE TRIMMER
AHS243S(37)

37001551 -

CE

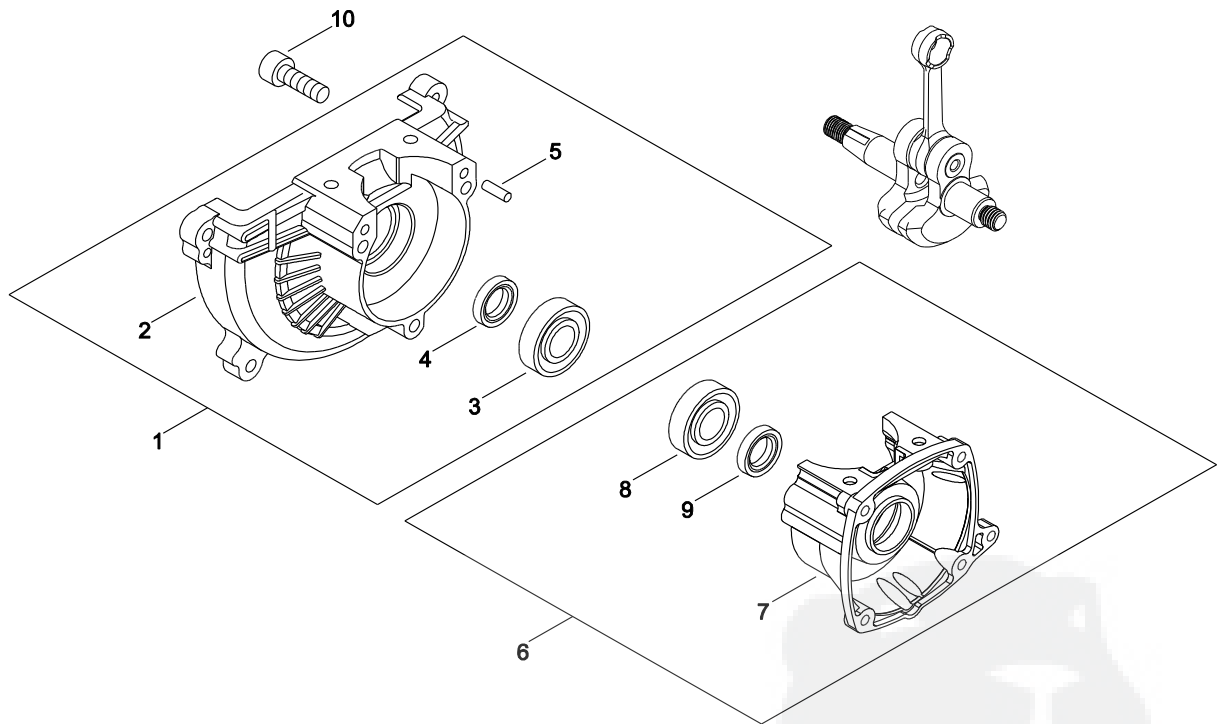
P017-002551-14D

1. CYLINDER, PISTON, CRANKSHAFT



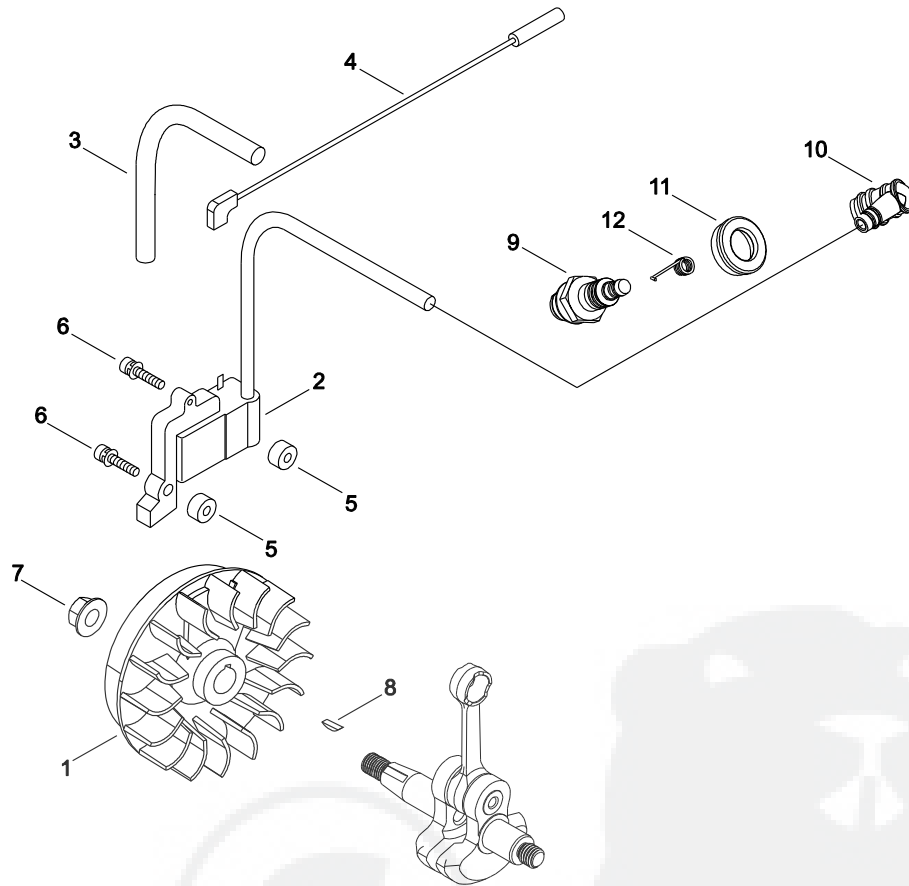
KEY	LV	PART NUMBER	Q'TY	DESCRIPTION	REMARKS	NOTE1	NOTE2
1		A011-000700	1	CRANK SHAFT			
2		A130-001710	1	CYLINDER	NRCP		
3		900105-05016	4	BOLT, H.S. 5*16	5*16		
4		P021-035672	1	PISTON KIT			
5	+	V100-000610	1	GASKET,CYL	NP8005C T0.5		
6	+	A101-000290	2	PISTON RING			
7	+	V553-000080	1	NEEDLE BEARING			
8	+	V606-000000	1	PIN,ENG 8	5*8*28		
9	+	V306-000250	2	WASHER,CIRCULAR 8			
10	+	100015-04630	2	CIRCLIP, PISTON PIN			
11		A160-002280	1	COVER,CYLINDER			
12		V202-000200	3	BOLT			
13		X504-007710	1	LABEL,BRAND	AHS243S		

2. CRANKCASE



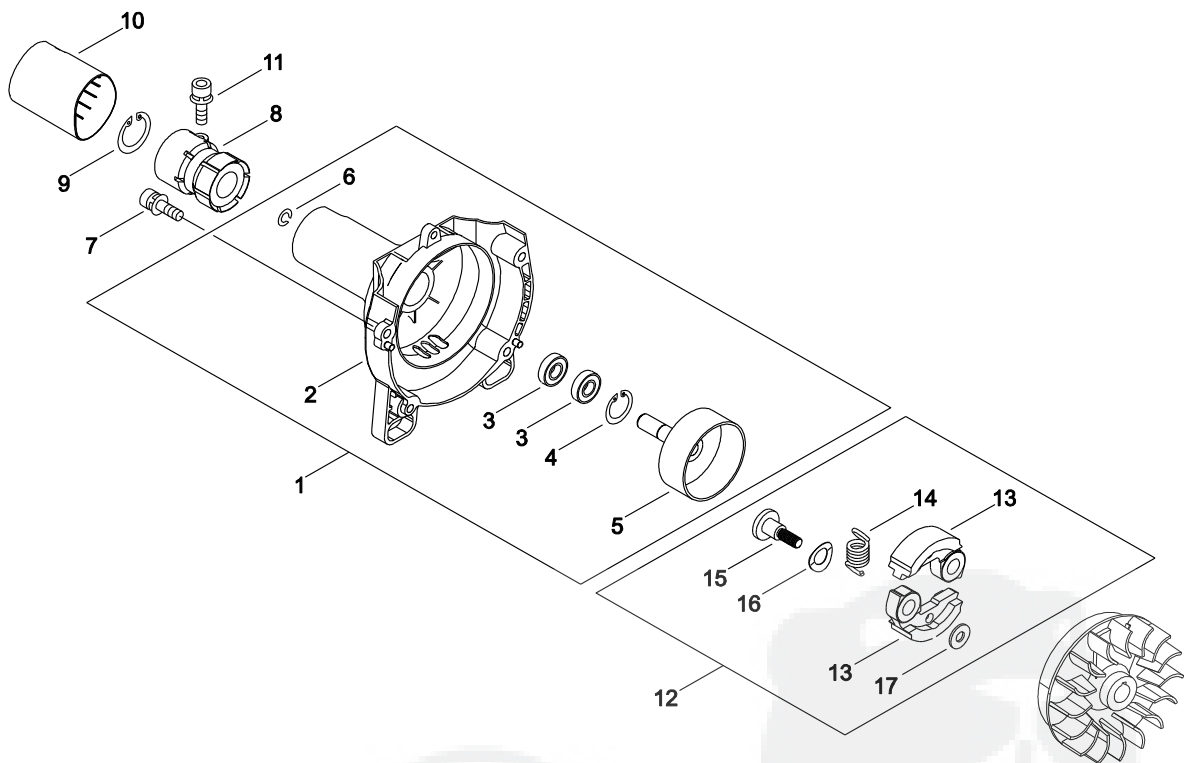
KEY	LV	PART NUMBER	Q'TY	DESCRIPTION	REMARKS	NOTE1	NOTE2
1		P021-035660	1	CRANK CASE M COMP	T242		
2	+	A120-000130	1	CRANK CASE M			
3	+	900800-36001	1	BEARING, BALL 6001	6001/C3		
4	+	V505-000080	1	OIL SEAL			
5	+	900330-40080	2	PIN F 4*8	4*8		
6		P021-035650	1	CRANK CASE S COMP	T242		
7	+	A120-000140	1	CRANK CASE S			
8	+	900800-36001	1	BEARING, BALL 6001	6001/C3		
9	+	V505-000070	1	OIL SEAL			
10		900105-05025	3	BOLT, H.S. 5*25	5*25		

3. MAGNETO



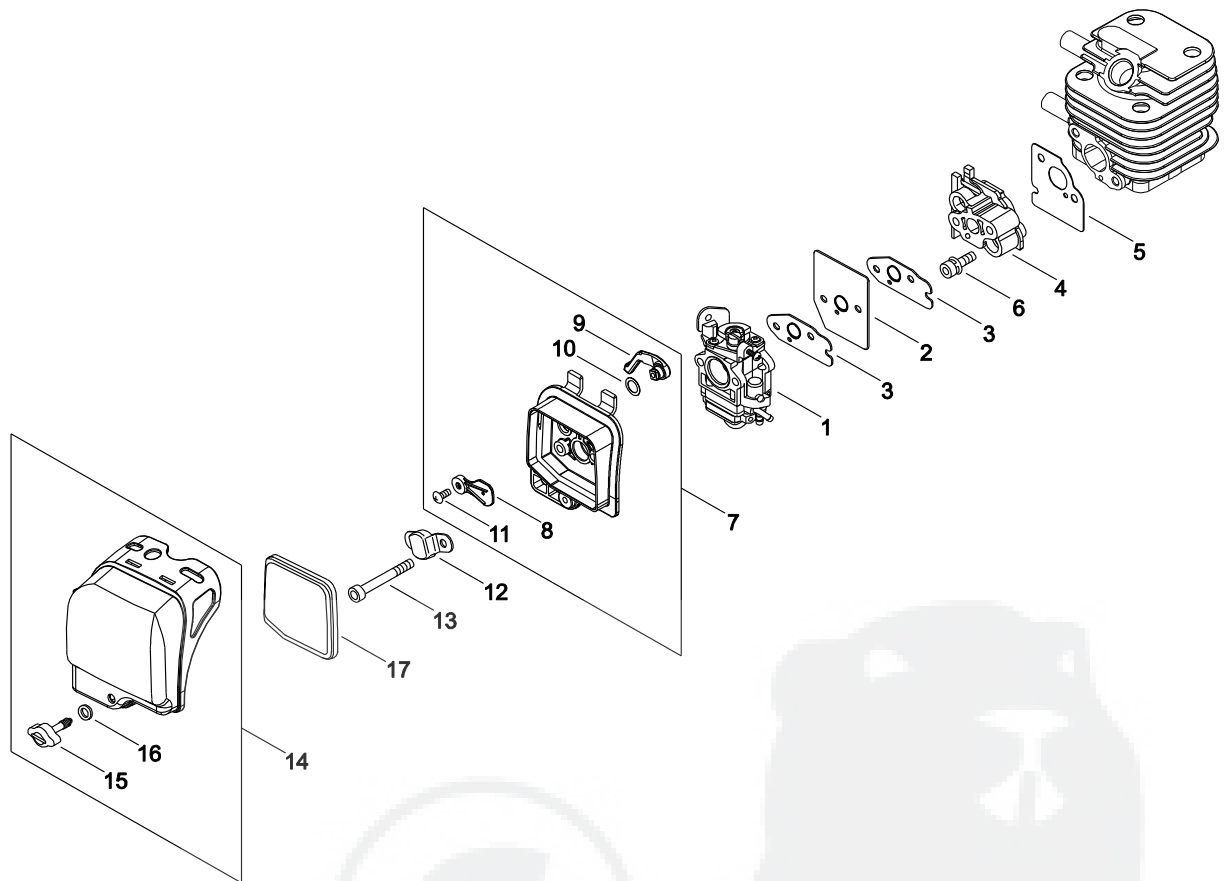
KEY	LV	PART NUMBER	Q'TY	DESCRIPTION	REMARKS	NOTE1	NOTE2
1		A409-001060	1	ROTOR, MAGNETO	C12076		
2		A411-001540	1	COIL, IGNITION			
3		V475-006600	1	TUBE	SSG-3 8*L125		
4		V485-002470	1	LEAD	L185		
5		V322-000040	2	INSULATOR			
6		V202-000480	2	BOLT ADHESIVE			
7		V265-000140	1	NUT			
8		93115-03010	1	KEY	3*10		
9		A425-000000	1	SPARKPLUG	BPMR8Y		
10		A427-000060	1	CAP, SPARK PLUG			
11		A429-000090	1	COVER, CAP			
12		A426-000010	1	TERMINAL, SPARKPLUG			

4. CLUTCH



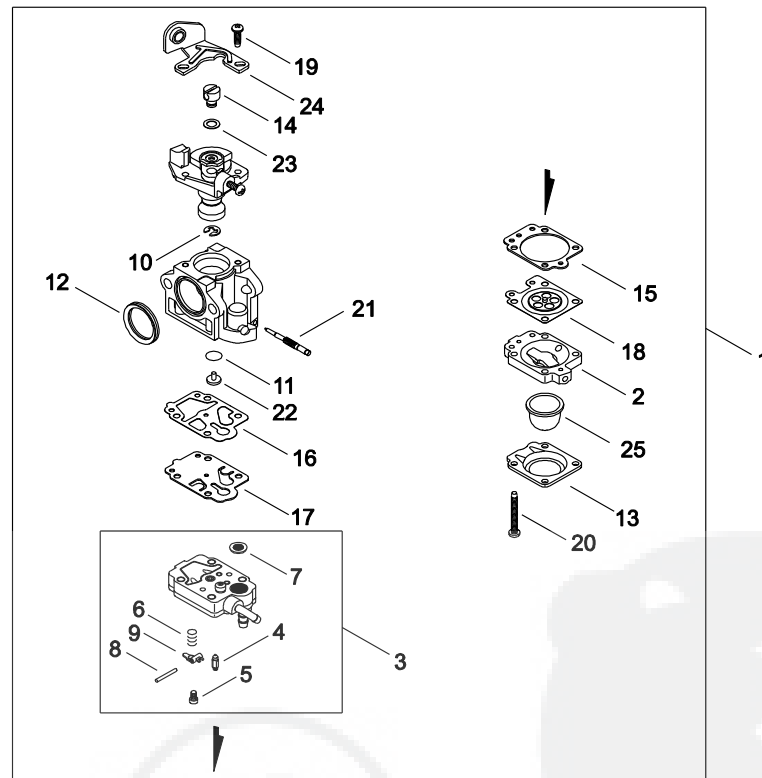
KEY	LV	PART NUMBER	Q'TY	DESCRIPTION	REMARKS	NOTE1	NOTE2
1		P021-035702	1	FAN COVER-A			
2	+	A172-001700	1	COVER,FAN			
3	+	900802-06000	2	BEARING, BALL 6000	6000DDU(LLU)		
4	+	900702-00026	1	CIRCLIP 26	CR-26		
5	+	A556-001300	1	DRUM,CLUTCH			
6	+	900701-00010	1	CIRCLIP 10	CS-10		
7		900162-05018	2	BOLT, H.S. 5*18	5*18 W,SW		
8		A575-000470	1	FIXTURE, MAIN PIPE			
9		900702-00040	1	CIRCLIP 40	CR-40		
10		A413-000000	1	PROTECTOR			
11		91122-05022	1	BOLT	CB-5*22 SW		
12		A056-000260	1	CLUTCH SHOE ASSY			
13	+	A553-000060	2	CLUTCH SHOE			
14	+	A566-000050	1	COIL SPRING			
15	+	A557-000040	2	BOLT			
16	+	V346-000040	2	SPRING PLATE			
17	+	V304-000150	2	WASHER			

5. AIR CLEANER, CARBURETOR



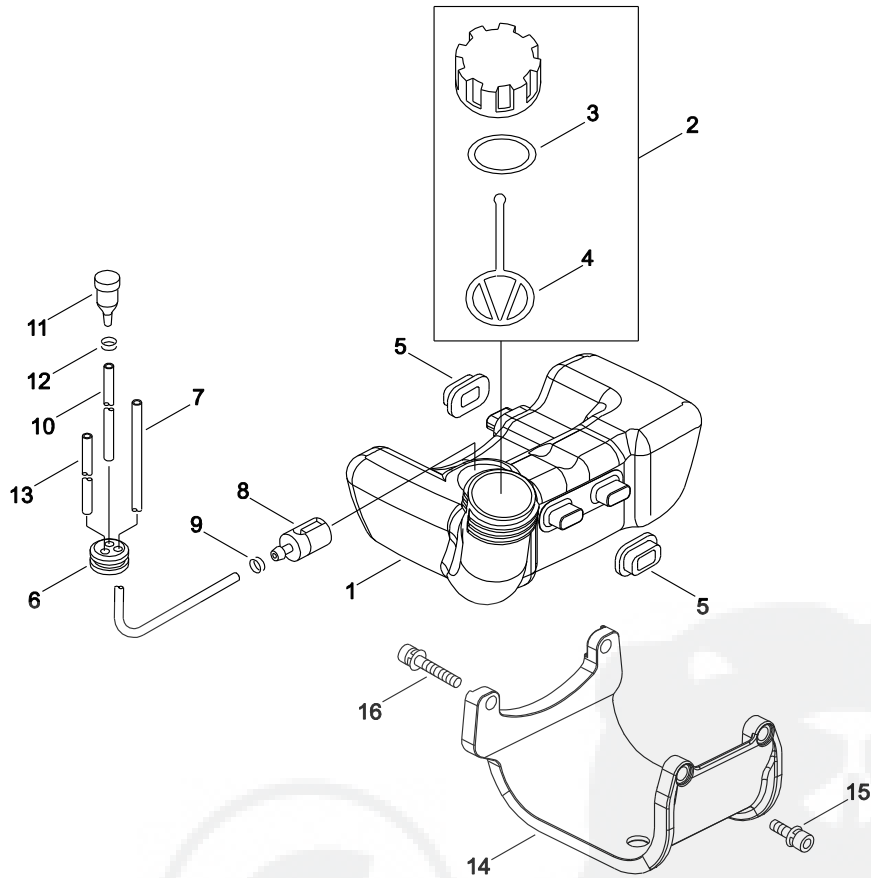
KEY	LV	PART NUMBER	Q'TY	DESCRIPTION	REMARKS	NOTE1	NOTE2
1		A021-003310	1	CARBURETOR,DIAPHRAGM	WYK-353		
2		A209-000460	1	PLATE, INSULATOR			
3		V103-001060	2	GASKET			
4		A200-000910	1	INSULATOR, INTAKE			
5		V103-000660	1	GASKET			
6		900162-05030	2	BOLT, H.S. 5*30	5*30 W,SW		
7		A023-000290	1	CASE,CLEANER			
8	+	A243-000280	1	SHUTTER, CHOKE			
9	+	A242-000140	1	CHOKE LEVER			
10	+	V346-000050	1	WASHER,WAVE			
11	+	91439-04012	1	SCREW,TRUSS,T			
12		A244-000120	1	BACK PLATE			
13		91109-05060	2	BOLT	CB-5*60		
14		A232-000640	1	CLEANER COVER ASSY			
15	+	V299-000340	1	KNOB			
16	+	V323-000080	1	COLLAR			
17		A226-001390	1	ELEMENT, AIR FILTER	YF975X1300		

6. CARBURETOR



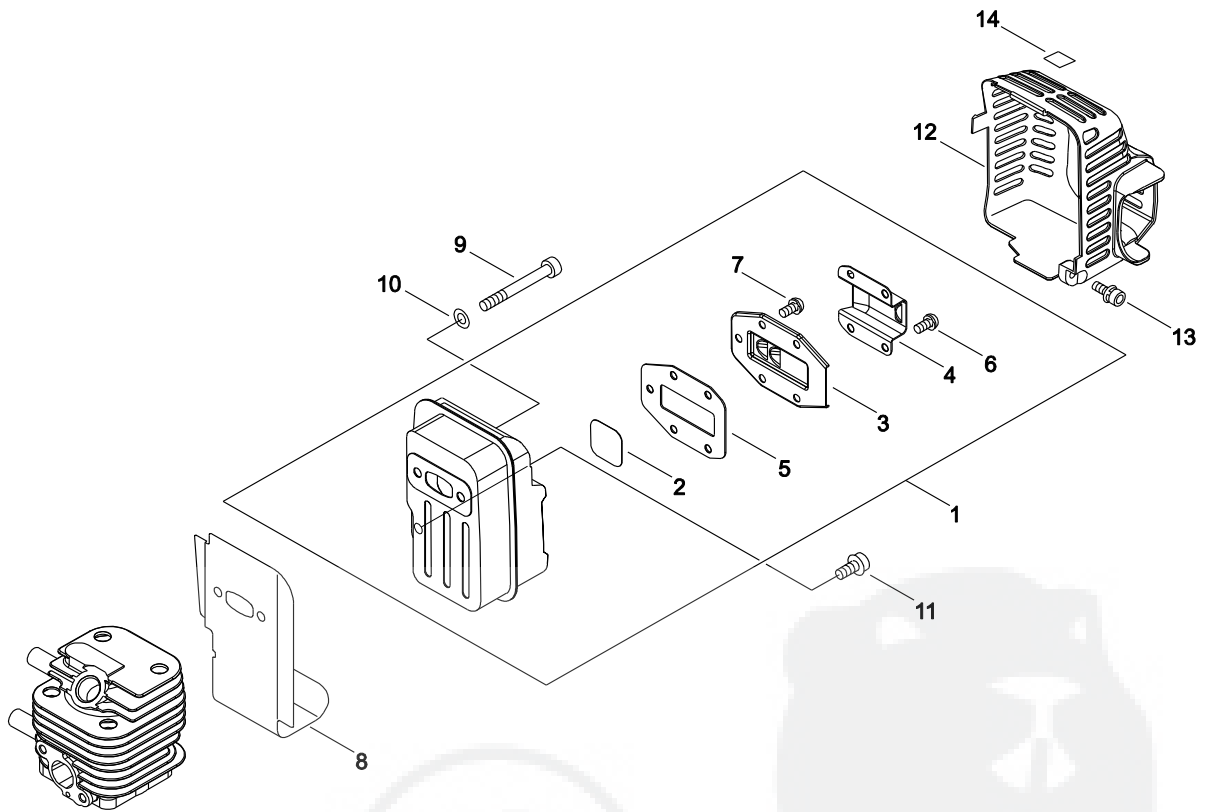
KEY	LV	PART NUMBER	Q'TY	DESCRIPTION	REMARKS	NOTE1	NOTE2
1		A021-003310	1	CARBURETOR,DIAPHRAGM	WYK-353		
2	+	P003-003980	1	BODY, AIR PURGE			
3	+	P003-004150	1	BODY ASSEMBLY, PUMP	T242		
4	++	123137-19830	1	VALVE, INLET NEEDLE			
5	++	123139-05560	1	SCREW, M. LEVER PIN			
6	++	123122-05560	1	SPRING, METER. LEVER			
7	++	123126-10631	1	SCREEN, INLET			
8	++	123138-03930	1	PIN, METERING LEVER			
9	++	123123-03930	1	LEVER, METERING			
10	+	123173-07930	1	CLIP			
11	+	123183-40630	1	O-RING			
12	+	123143-12110	1	RING, PACKING			
13	+	123142-05560	1	COVER, PRIMER PUMP			
14	+	123172-45130	1	SWIVEL			
15	+	123140-05560	1	GASKET, M. DIAPHRAGM			
16	+	P003-004100	1	GASKET, PUMP			
17	+	123112-40630	1	DIAPHRAGM, PUMP			
19	+	123114-40630	2	SCREW			
20	+	123110-05560	4	SCREW, PUMP COVER			
21	+	P003-004110	1	NEEDLE			
22	+	P003-004120	1	JET			
23	+	123149-54230	1	WASHER			
24	+	P003-002590	1	BRACKET			
25	+	123181-40630	1	PUMP, PRIMER			

7. FUEL TANK



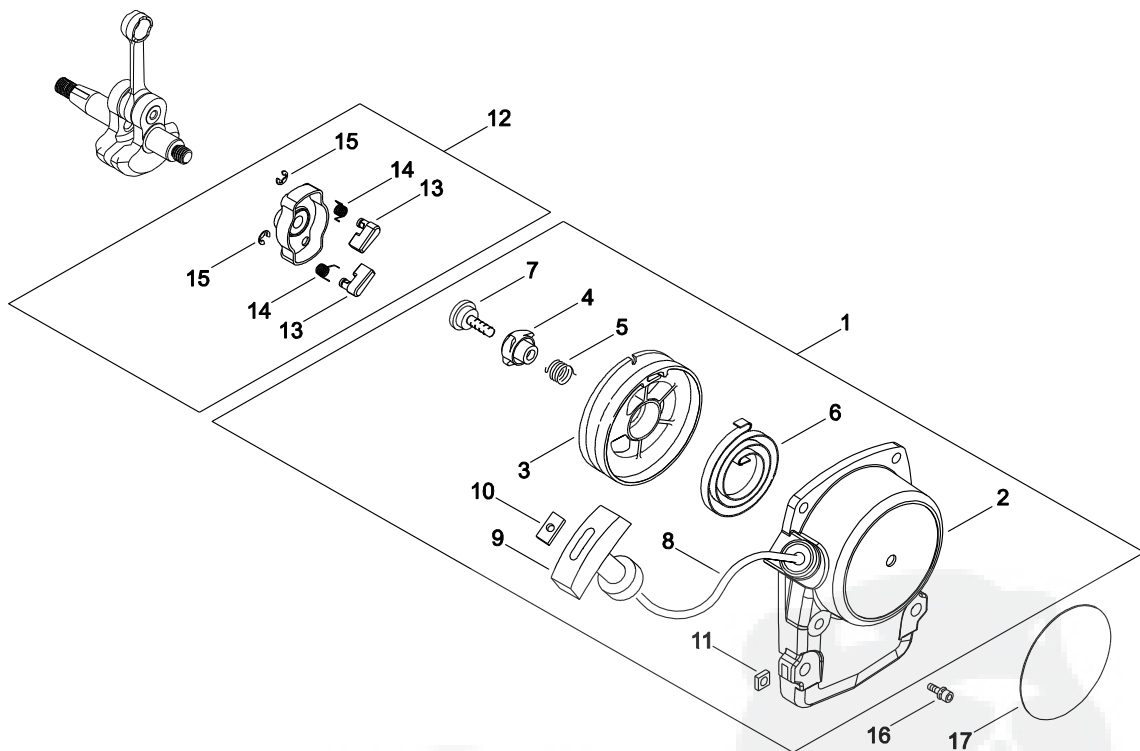
KEY	LV	PART NUMBER	Q'TY	DESCRIPTION	REMARKS	NOTE1	NOTE2
1		A350-000972	1	TANK, FUEL			
2		P021-035680	1	FUEL CAP ASY	T242		
3	+	131016-55830	1	GASKET, FUEL CAP			
4	+	A365-000060	1	CONNECTOR,CAP	L=123		
5		V420-002220	4	TANK CUSHION			
6		132115-55930	1	GROMMET, FUEL			
7		437210-30830	1	PIPE, OIL	NBR 3*6*210L		
8		A369-000001	1	STRAINER, FUEL	125-528		
9		V490-001240	1	CLIP			
10		130110-54430	1	PIPE, IMPULSE	3*6*105 NBR		
11		A356-000040	1	VALVE,CHECK			
12		V490-001230	1	CLIP			
13		132010-49730	1	PIPE 3*6*85	3*6*85 YL		
14		A175-000080	1	TANK GUARD			
15		900162-05018	2	BOLT, H.S. 5*18	5*18 W,SW		
16		900162-05040	2	BOLT, H.S. 5*40	5*40 W,SW		

8. MUFFLER



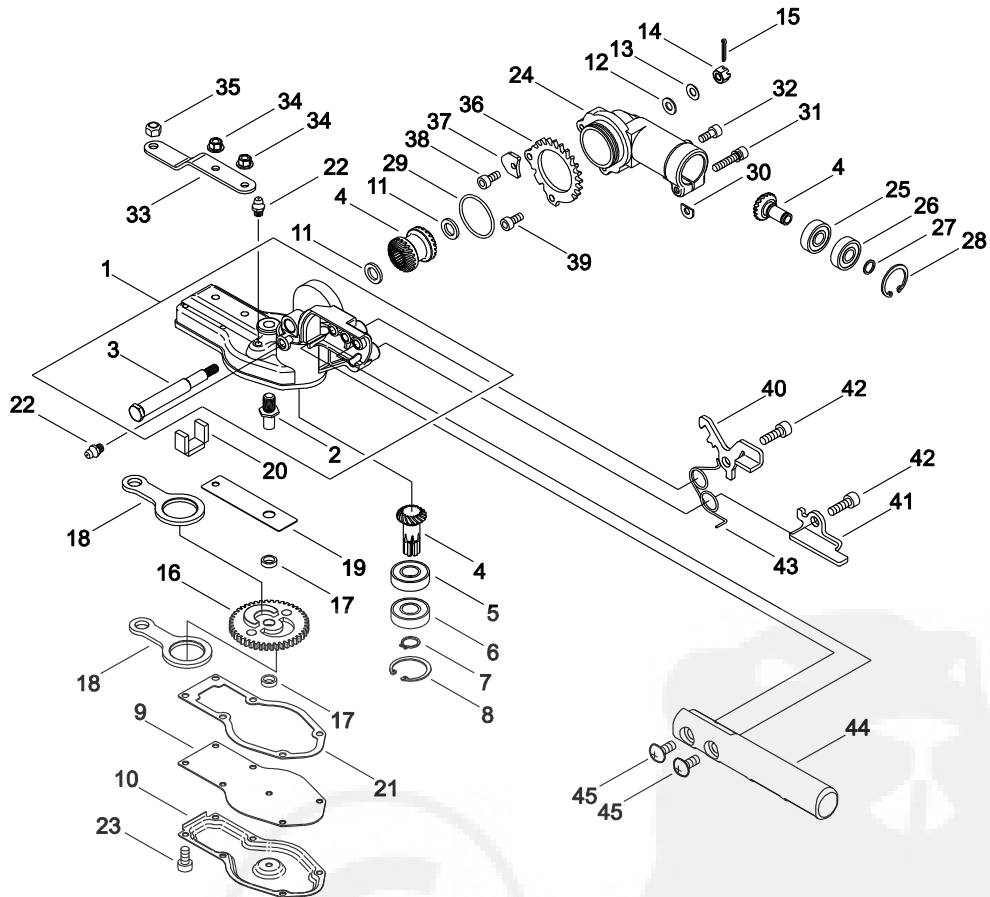
KEY	LV	PART NUMBER	Q'TY	DESCRIPTION	REMARKS	NOTE1	NOTE2
1		P021-037641	1	MUFFLER ASY			
2	+	A310-000170	1	SCREEN			
3	+	A313-001660	1	GUIDE, EXHAUST			
4	+	A313-001230	1	TAIL PLATE			
5	+	V104-001100	1	GASKET			
6	+	900283-04008	4	SCREW 4*8	4*8		
7	+	900283-04008	1	SCREW 4*8	4*8		
8		V104-002200	1	GASKET, EXHAUST			
9		91109-05055	2	BOLT	CB-5*0.8*55		
10		900604-00005	2	WASHER 5 SUS	5 SUS		
11		900106-05012	1	BOLT, H.S. 5*12	5*12		
12		A320-000870	1	COVER, MUFFLER			
13		V202-000200	1	BOLT			
14		X505-002310	1	LABEL, CAUTION	HOT CAUTION		

9. RECOIL STARTER, PULLEY



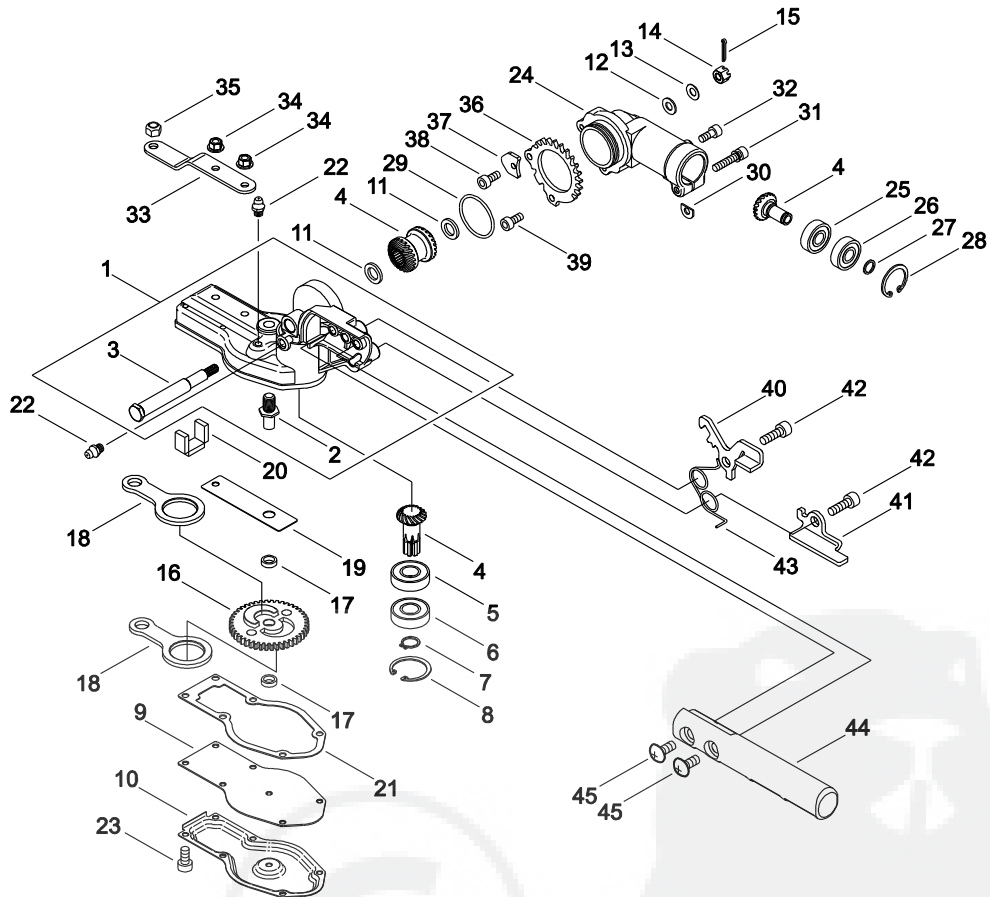
KEY	LV	PART NUMBER	Q'TY	DESCRIPTION	REMARKS	NOTE1	NOTE2
1		A051-002840	1	STARTER,RECOIL ASY			
2	+	P022-038050	1	CASE,STARTER			
3	+	P022-027980	1	DRUM, STARTER			
4	+	P022-028000	1	PLATE, CAM			
5	+	P022-008270	1	SPRING,DAMPER			
6	+	177220-42030	1	SPRING, REWIND			
7	+	177236-61830	1	SCREW			
8	+	P022-008260	1	ROPE	3M/M		
9	+	177228-27030	1	GRIP, STARTER			
10	+	P022-037670	1	STOPPER, ROPE			
11	+	900565-00005	2	NUT	5		
12		A052-000180	1	PULLEY,ASM STARTER			
13	+	P022-006850	2	PAWL, STARTER			
14	+	P022-006510	2	SPRING, RETURN			
15	+	P022-002100	2	E-RING	4		
16		V202-000200	2	BOLT			
17		X504-007680	1	LABEL,BRAND	SHINDAIWA 47		

10. GEAR CASE



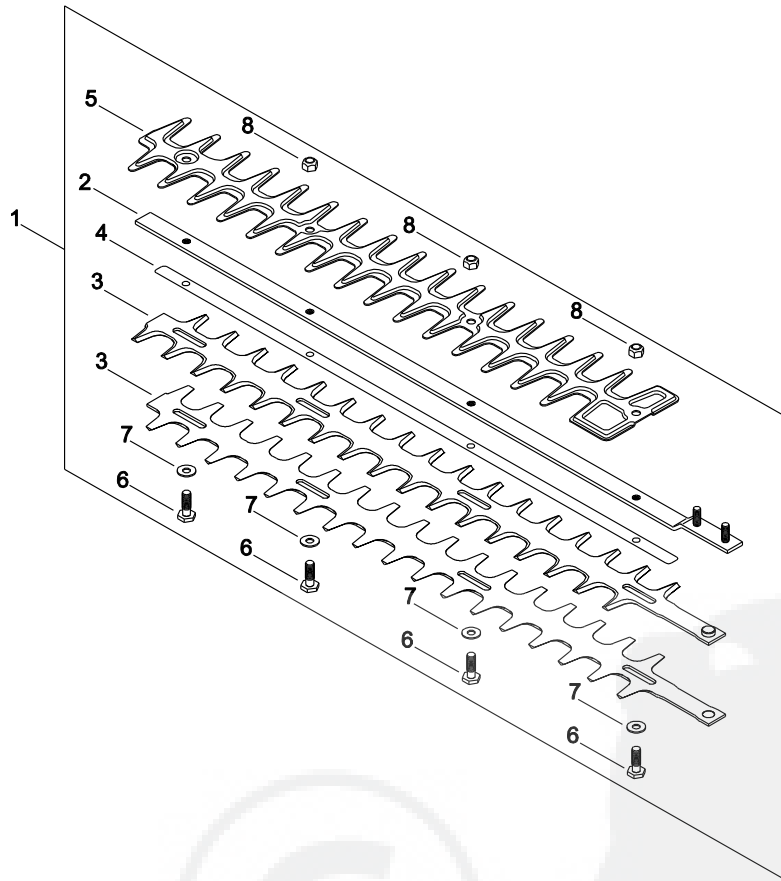
KEY	LV	PART NUMBER	Q'TY	DESCRIPTION	REMARKS	NOTE1	NOTE2
1		P021-028811	1	GEAR CASE			
2	+	C534-000660	1	MAIN SHAFT			
3	+	C534-000670	1	SHAFT			
4		P021-035780	1	GEAR SET	AHS254		
5		900800-06001	1	BEARING, BALL 6001			
6		900804-06001	1	BEARING, BALL 6001ZZ	6001ZZ		
7		92423-12000	1	SNAP RING			
8		92424-28000	1	SNAP RING			
9		C542-000040	1	CASE COVER			
10		C539-000081	1	LID,GEARCASE			
11		V307-000250	2	WASHER,CIRCULAR 10			
12		900603-00006	1	WASHER 6	6.5*13*1		
13		V347-000030	1	CONE WASHER			
14		V264-000170	1	NUT			
15		93002-16150	1	PIN			
16		V650-000530	1	CAM GEAR			
17		V355-000440	2	COLLAR			
18		C532-000220	2	ROD			
19		V150-002460	1	PLATE			
20		V541-000220	1	PACKING			
21		V110-000140	1	GASKET			
22		V187-000080	2	GREASE NIPPLE			
23		900105-04010	7	BOLT, H.S. 4*10	4*10		
24		C531-000700	1	GEAR CASE UPPER			
25		900800-00609	1	BEARING, BALL 609	609		

10. GEAR CASE



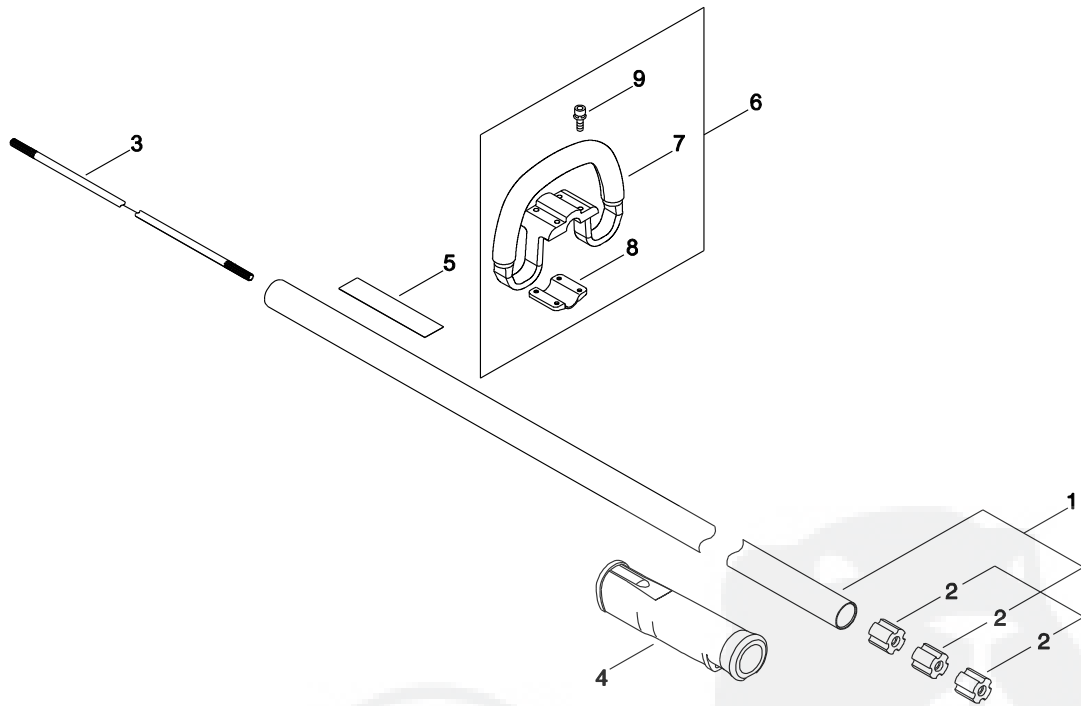
KEY	LV	PART NUMBER	Q'TY	DESCRIPTION	REMARKS	NOTE1	NOTE2
26		900804-00609	1	BEARING, BALL 609	609ZZ		
27		900706-00009	1	CIRCLIP 9	WR-9		
28		92424-24000	1	SNAP RING			
29		92507-03150	1	O RING			
30		V340-000300	1	SHIM			
31		V203-000560	1	BOLT SW			
32		900105-05012	1	BOLT, H.S. 5*12	5*12		
33		V152-002391	1	HOLDER			
34		V263-000330	2	FLANGE NUT			
35		433022-06460	1	NUT			
36		C465-000020	1	ADJUST PLATE			
37		C629-000040	1	STOPPER PLATE			
38		V254-000100	1	SCREW			
39		900105-05012	1	BOLT, H.S. 5*12	5*12		
40		C661-000070	1	LOCK LEVER			
41		C661-000080	1	SAFTY LEVER			
42		V204-000580	2	PIN RATCHET			
43		V452-000710	1	COIL SPRING			
44		C403-000480	1	HANDLE			
45		91463-06020	2	SCREW TRUSS			

11. CUTTING BLADE



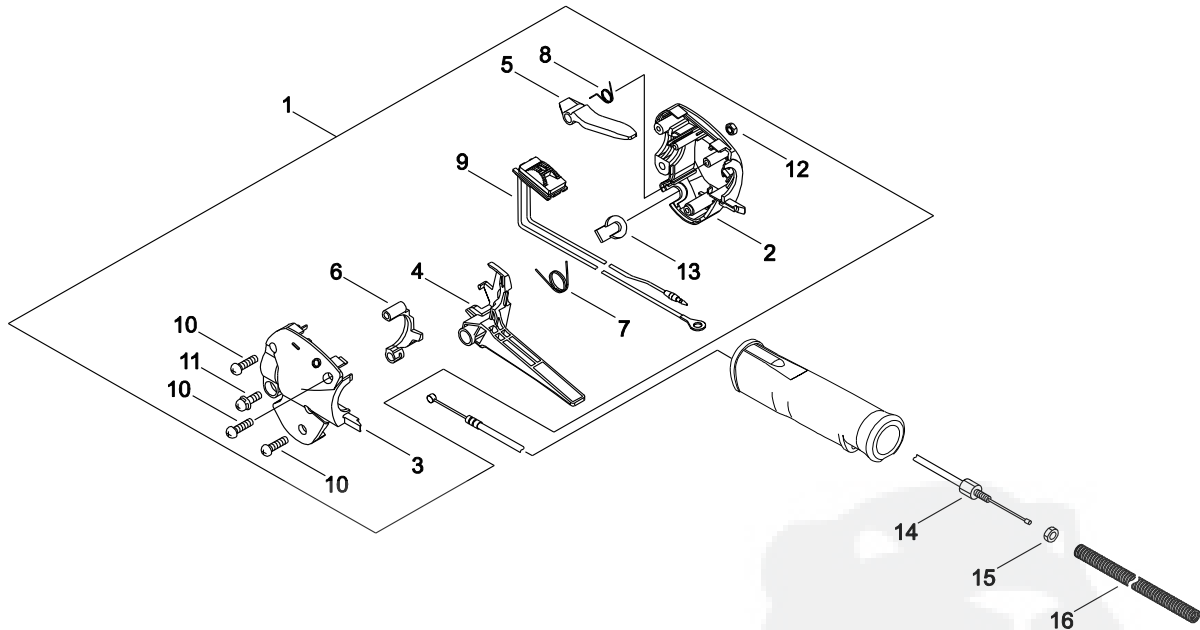
KEY	LV	PART NUMBER	Q'TY	DESCRIPTION	REMARKS	NOTE1	NOTE2
1		X041-000001	1	CUTTER,ASM			
2	+	X425-000820	1	SUPPORT,CUTTER			
3	+	X411-001151	2	CUTTER			
4	+	V453-000130	1	LEAF SPRING			
5	+	X431-000080	1	PROTECTOR			
6	+	V204-000570	4	BOLT			
7	+	V304-000240	4	WASHER			
8	+	433022-06460	3	NUT			

12. DRIVE SHAFT



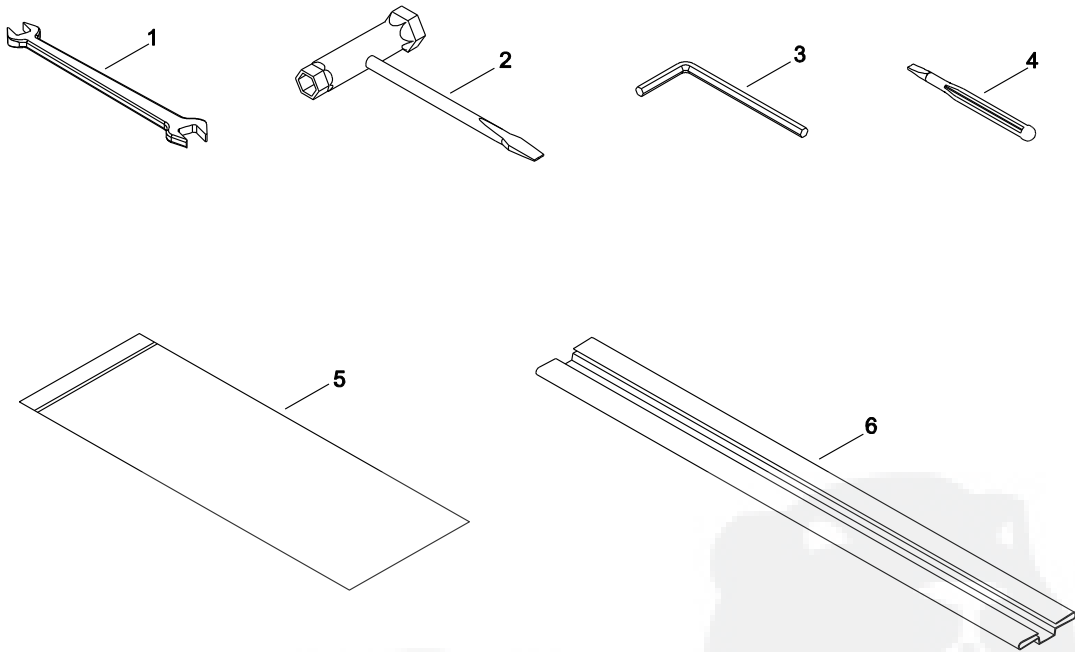
KEY	LV	PART NUMBER	Q'TY	DESCRIPTION	REMARKS	NOTE1	NOTE2
1		C050-001500	1	OUTER PIPE COMP			
2	+	C501-000010	3	BUSH			
3		C504-000860	1	MAIN SHAFT			
4		C412-000261	1	GRIP, HANDLE			
5		X505-002890	1	LABEL CAUTION			
6		P021-028331	1	HANDLE ASSY			
7	+	C400-000630	1	HANDLE			
8	+	C423-000430	1	CLAMP			
9	+	V203-000631	4	BOLT,5	M5X25 WSW		

13. THROTTLE



KEY	LV	PART NUMBER	Q'TY	DESCRIPTION	REMARKS	NOTE1	NOTE2
1		C044-000350	1	THROTTLE LEVER ASSY			
2	+	C401-000140	1	BODY RIGHT			
3	+	C401-000150	1	BODY LEFT			
4	+	C450-000480	1	LEVER			
5	+	C460-000190	1	LOCK LEVER			
6	+	C461-000020	1	HOLDER			
7	+	P022-025820	1	SPRING, THR. RETURN			
8	+	V452-000500	1	COIL SPRING			
9	+	P022-038060	1	SWITCH ASY			
10	+	P022-032480	3	SCREW			
11	+	P022-025800	1	SCREW	M5*20		
12	+	92017-05000	1	NUT	M5		
13	+	P022-025790	1	PLUG			
14		V430-002611	1	CABLE,BOWDEN			
15		900502-00006	1	NUT 6 (3N)	3N6		
16		V475-004470	1	TUBE			

14. ACCESSORIES



KEY	LV	PART NUMBER	Q'TY	DESCRIPTION	REMARKS	NOTE1	NOTE2
1		X600-000020	1	SPANNER			
2		X602-000120	1	TOOL,WRENCH	19-13		
3		X605-000100	1	TOOL,L WRENCH	4MM M5		
4		X626-000010	1	TOOL,SCRAPER			
5		X705-000100	1	BAG,PACKING	140*200*T0.08		
6		X495-000410	1	BLADE COVER			

Index

Patrs Number	Key No.	Patrs Number	Key No.	Patrs Number	Key No.
100015-04630	1 - 10	900800-00609	10 - 25	A411-001540	3 - 2
123110-05560	6 - 20	900800-06001	10 - 5	A413-000000	4 - 10
123112-40630	6 - 17	900800-36001	2 - 3	A425-000000	3 - 9
123114-40630	6 - 19	900800-36001	2 - 8	A426-000010	3 - 12
123122-05560	6 - 6	900802-06000	4 - 3	A427-000060	3 - 10
123123-03930	6 - 9	900804-00609	10 - 26	A429-000090	3 - 11
123126-10631	6 - 7	900804-06001	10 - 6	A553-000060	4 - 13
123137-19830	6 - 4	91109-05055	8 - 9	A556-001300	4 - 5
123138-03930	6 - 8	91109-05060	5 - 13	A557-000040	4 - 15
123139-05560	6 - 5	91122-05022	4 - 11	A566-000050	4 - 14
123140-05560	6 - 15	91439-04012	5 - 11	A575-000470	4 - 8
123142-05560	6 - 13	91463-06020	10 - 45	C044-000350	13 - 1
123143-12110	6 - 12	92017-05000	13 - 12	C050-001500	12 - 1
123149-54230	6 - 23	92423-12000	10 - 7	C400-000630	12 - 7
123172-45130	6 - 14	92424-24000	10 - 28	C401-000140	13 - 2
123173-07930	6 - 10	92424-28000	10 - 8	C401-000150	13 - 3
123181-40630	6 - 25	92507-03150	10 - 29	C403-000480	10 - 44
123183-40630	6 - 11	93002-16150	10 - 15	C412-000261	12 - 4
130110-54430	7 - 10	93115-03010	3 - 8	C423-000430	12 - 8
131016-55830	7 - 3	A011-000700	1 - 1	C450-000480	13 - 4
132010-49730	7 - 13	A021-003310	5 - 1	C460-000190	13 - 5
132115-55930	7 - 6	A021-003310	6 - 1	C461-000020	13 - 6
177220-42030	9 - 6	A023-000290	5 - 7	C465-000020	10 - 36
177228-27030	9 - 9	A051-002840	9 - 1	C501-000010	12 - 2
177236-61830	9 - 7	A052-000180	9 - 12	C504-000860	12 - 3
433022-06460	10 - 35	A056-000260	4 - 12	C531-000700	10 - 24
433022-06460	11 - 8	A101-000290	1 - 6	C532-000220	10 - 18
437210-30830	7 - 7	A120-000130	2 - 2	C534-000660	10 - 2
900105-04010	10 - 23	A120-000140	2 - 7	C534-000670	10 - 3
900105-05012	10 - 32	A130-001710	1 - 2	C539-000081	10 - 10
900105-05012	10 - 39	A160-002280	1 - 11	C542-000040	10 - 9
900105-05016	1 - 3	A172-001700	4 - 2	C629-000040	10 - 37
900105-05025	2 - 10	A175-000080	7 - 14	C661-000070	10 - 40
900106-05012	8 - 11	A200-000910	5 - 4	C661-000080	10 - 41
900162-05018	4 - 7	A209-000460	5 - 2	P003-002590	6 - 24
900162-05018	7 - 15	A226-001390	5 - 17	P003-003980	6 - 2
900162-05030	5 - 6	A232-000640	5 - 14	P003-004100	6 - 16
900162-05040	7 - 16	A242-000140	5 - 9	P003-004110	6 - 21
900283-04008	8 - 6	A243-000280	5 - 8	P003-004120	6 - 22
900283-04008	8 - 7	A244-000120	5 - 12	P003-004150	6 - 3
900330-40080	2 - 5	A310-000170	8 - 2	P021-028331	12 - 6
900502-00006	13 - 15	A313-001230	8 - 4	P021-028811	10 - 1
900565-00005	9 - 11	A313-001660	8 - 3	P021-035650	2 - 6
900603-00006	10 - 12	A320-000870	8 - 12	P021-035660	2 - 1
900604-00005	8 - 10	A350-000972	7 - 1	P021-035672	1 - 4
900701-00010	4 - 6	A356-000040	7 - 11	P021-035680	7 - 2
900702-00026	4 - 4	A365-000060	7 - 4	P021-035702	4 - 1
900702-00040	4 - 9	A369-000001	7 - 8	P021-035780	10 - 4
900706-00009	10 - 27	A409-001060	3 - 1	P021-037641	8 - 1

Index

Patrs Number	Key No.	Patrs Number	Key No.	Patrs Number	Key No.
P022-002100	9 - 15	V452-000500	13 - 8		
P022-006510	9 - 14	V452-000710	10 - 43		
P022-006850	9 - 13	V453-000130	11 - 4		
P022-008260	9 - 8	V475-004470	13 - 16		
P022-008270	9 - 5	V475-006600	3 - 3		
P022-025790	13 - 13	V485-002470	3 - 4		
P022-025800	13 - 11	V490-001230	7 - 12		
P022-025820	13 - 7	V490-001240	7 - 9		
P022-027980	9 - 3	V505-000070	2 - 9		
P022-028000	9 - 4	V505-000080	2 - 4		
P022-032480	13 - 10	V541-000220	10 - 20		
P022-037670	9 - 10	V553-000080	1 - 7		
P022-038050	9 - 2	V606-000000	1 - 8		
P022-038060	13 - 9	V650-000530	10 - 16		
V100-000610	1 - 5	X041-000001	11 - 1		
V103-000660	5 - 5	X411-001151	11 - 3		
V103-001060	5 - 3	X425-000820	11 - 2		
V104-001100	8 - 5	X431-000080	11 - 5		
V104-002200	8 - 8	X495-000410	14 - 6		
V110-000140	10 - 21	X504-007680	9 - 17		
V150-002460	10 - 19	X504-007710	1 - 13		
V152-002391	10 - 33	X505-002310	8 - 14		
V187-000080	10 - 22	X505-002890	12 - 5		
V202-000200	1 - 12	X600-000020	14 - 1		
V202-000200	8 - 13	X602-000120	14 - 2		
V202-000200	9 - 16	X605-000100	14 - 3		
V202-000480	3 - 6	X626-000010	14 - 4		
V203-000560	10 - 31	X705-000100	14 - 5		
V203-000631	12 - 9				
V204-000570	11 - 6				
V204-000580	10 - 42				
V254-000100	10 - 38				
V263-000330	10 - 34				
V264-000170	10 - 14				
V265-000140	3 - 7				
V299-000340	5 - 15				
V304-000150	4 - 17				
V304-000240	11 - 7				
V306-000250	1 - 9				
V307-000250	10 - 11				
V322-000040	3 - 5				
V323-000080	5 - 16				
V340-000300	10 - 30				
V346-000040	4 - 16				
V346-000050	5 - 10				
V347-000030	10 - 13				
V355-000440	10 - 17				
V420-002220	7 - 5				
V430-002611	13 - 14				

YAMABIKO CORPORATION

7-2 SUEHIROCHO 1-CHOME, OHME, TOKYO 198-8760, JAPAN
PHONE: 81-428-32-6118. FAX: 81-428-32-6145.



-14D
No. 05-218