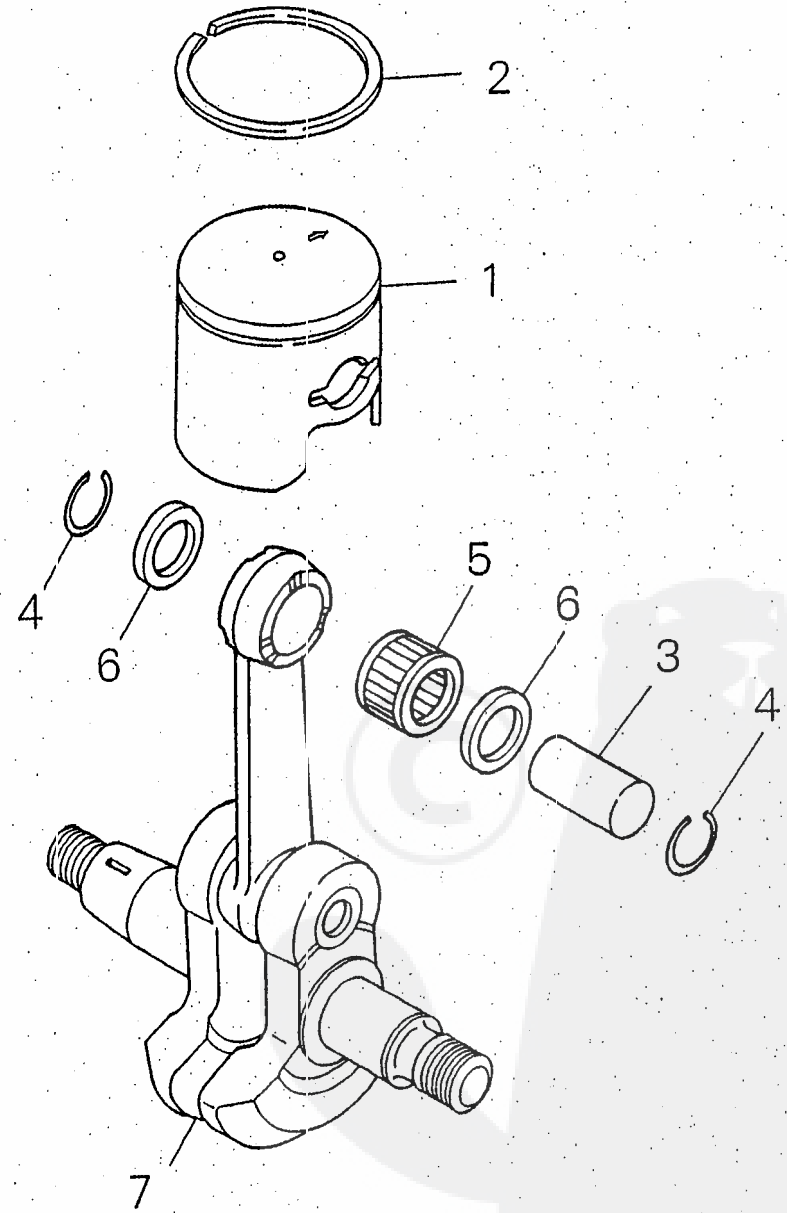
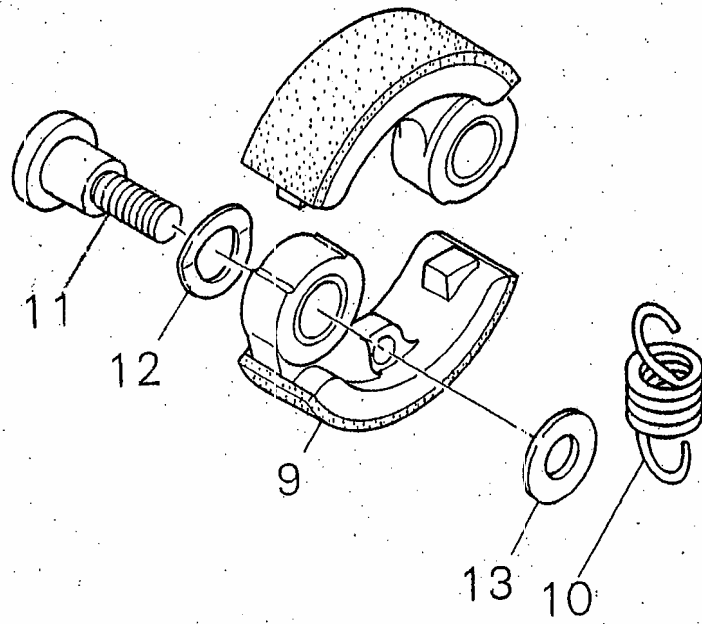


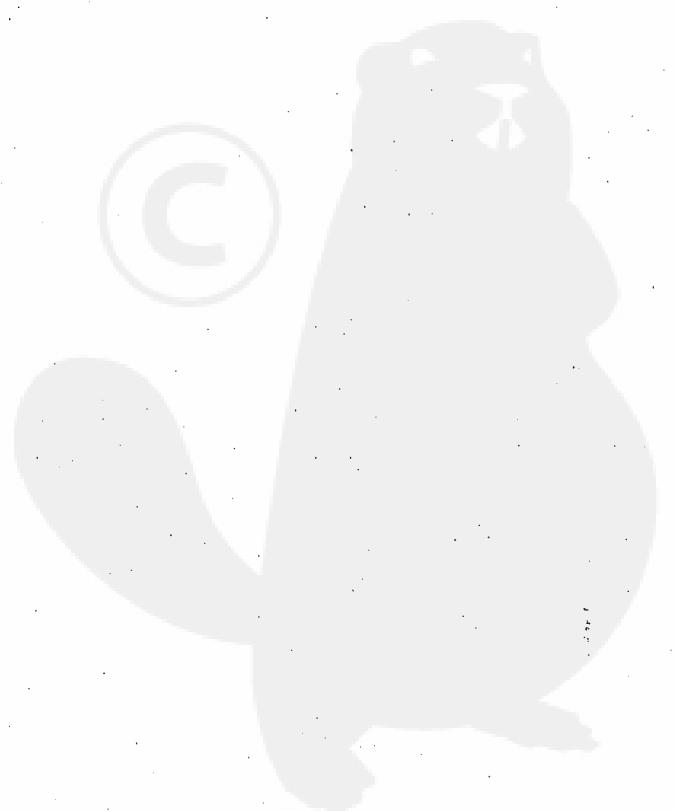
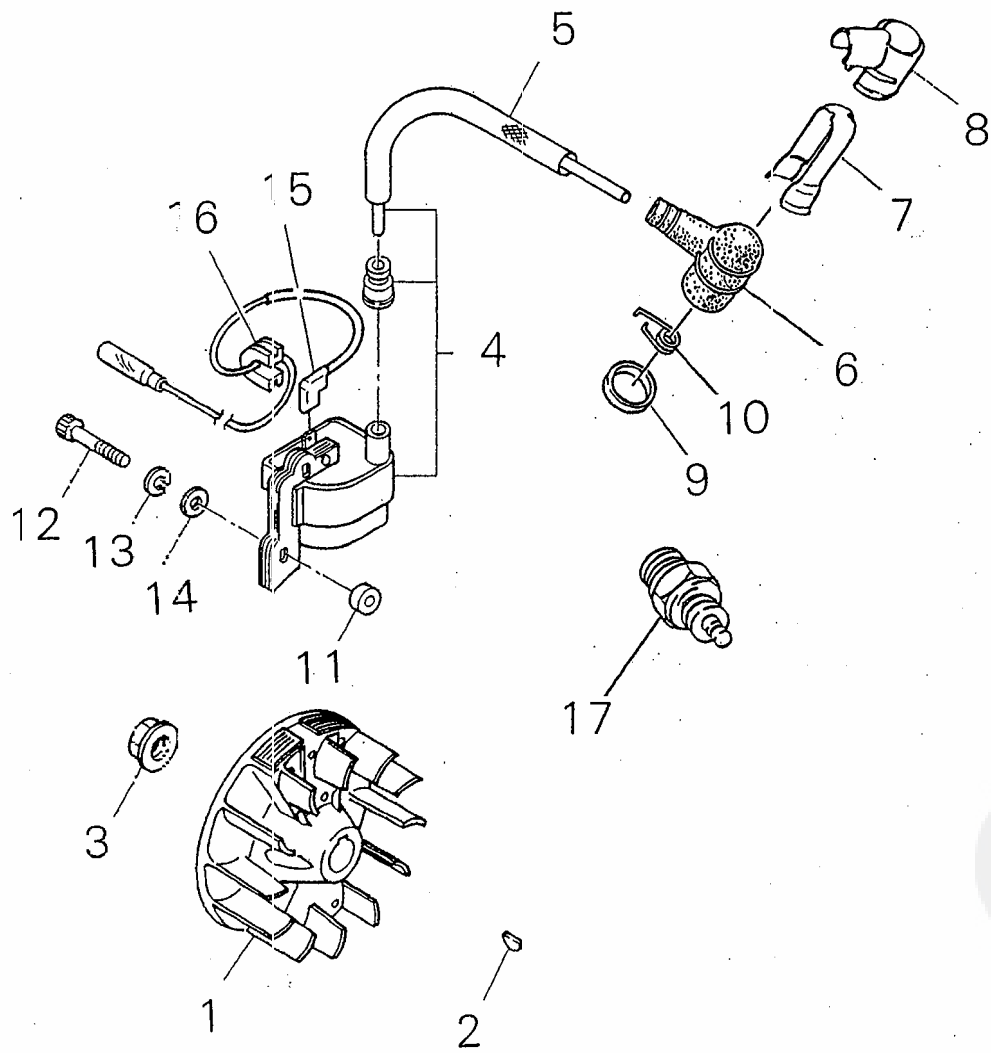
PRICE:(¥)

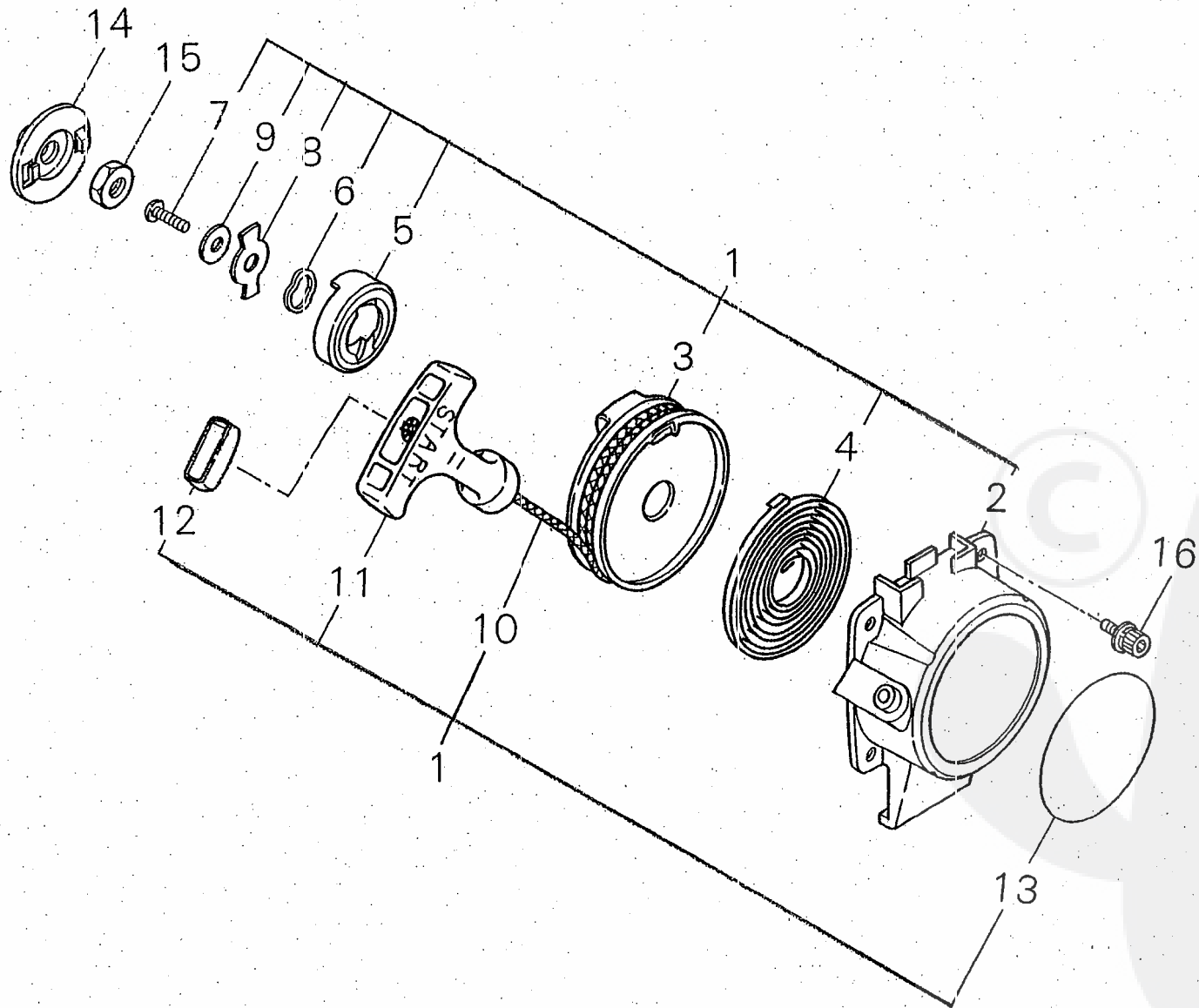
| Ref. No | Part No. | Part Name | Qty | emarks |
|---------|--------------------------|-------------------|-----|--------|
| 2- 1 | 20035-21100 | CRANK CASE S COMP | 1 | |
| 2 | 20036-21111 | • CRANK CASE S | 1 | |
| 3 | 12900-60010 | • BEARING | 1 | |
| 4 | 22150-21250 | • OIL SEAL | 1 | |
| 5 | 20140-21200 | CRANK CASE M COMP | 1 | |
| 6 | 20036-21123 | • CRANK CASE M | 1 | |
| 7 | 12900-60010 | • BEARING | 1 | |
| 8 | 20000-21211 | • OIL SEAL | 1 | |
| 9 | 12492-40080 | • ROLLER | 2 | |
| 10 | 01020-05250 | BOLT | 3 | |
| 11 | 20142-31111 ² | FAN COVER | 1 | |
| 12 | 70030-31120 | CLUTCH DRUM | 1 | |
| 13 | 20000-31140 | SNAP RING | 1 | |
| 14 | 11206-05300 | SCREW PM SPW | 3 | |
| 15 | 11206-05160 | SCREW PM SPW | 1 | |
| 16 | 20087-31410 | JOINT | 1 | |
| 17 | 20142-31420 | STOPPER | 1 | |
| 18 | 11260-04081 | SCREW ADHESIVE | 2 | |
| 19 | 11020-05220 | BOLT SW | 1 | |
| 20 | 20018-31460 | SHIM | 1 | |
| 21 | 67001-31310 | SPACER | 1 | |
| 22 | 20140-32110 | CYLINDER COVER | 1 | |
| 23 | 67001-91021 | LABEL TRADE | 1 | |
| 24 | 20140-31250 | SCREW PM SLPW | 1 | |
| 25 | 20140-31260 | INSULATOR | 1 | |
| 26 | 20140-34112 | PROTECTOR | 1 | |
| 27 | 20142-32211 | MUFFLER COVER | 1 | |
| 28 | 22160-32210 | SCREW PC | 1 | |
| 29 | 20011-72120 | GROMMET | 1 | |
| | | | | |
| | | | | |
| | | | | |
| | | | | |
| | | | | |
| | | | | |
| | | | | |
| | | | | |
| | | | | |
| | | | | |
| | | | | |
| | | | | |
| | | | | |
| | | | | |
| | | | | |
| | | | | |
| | | | | |
| | | | | |
| | | | | |

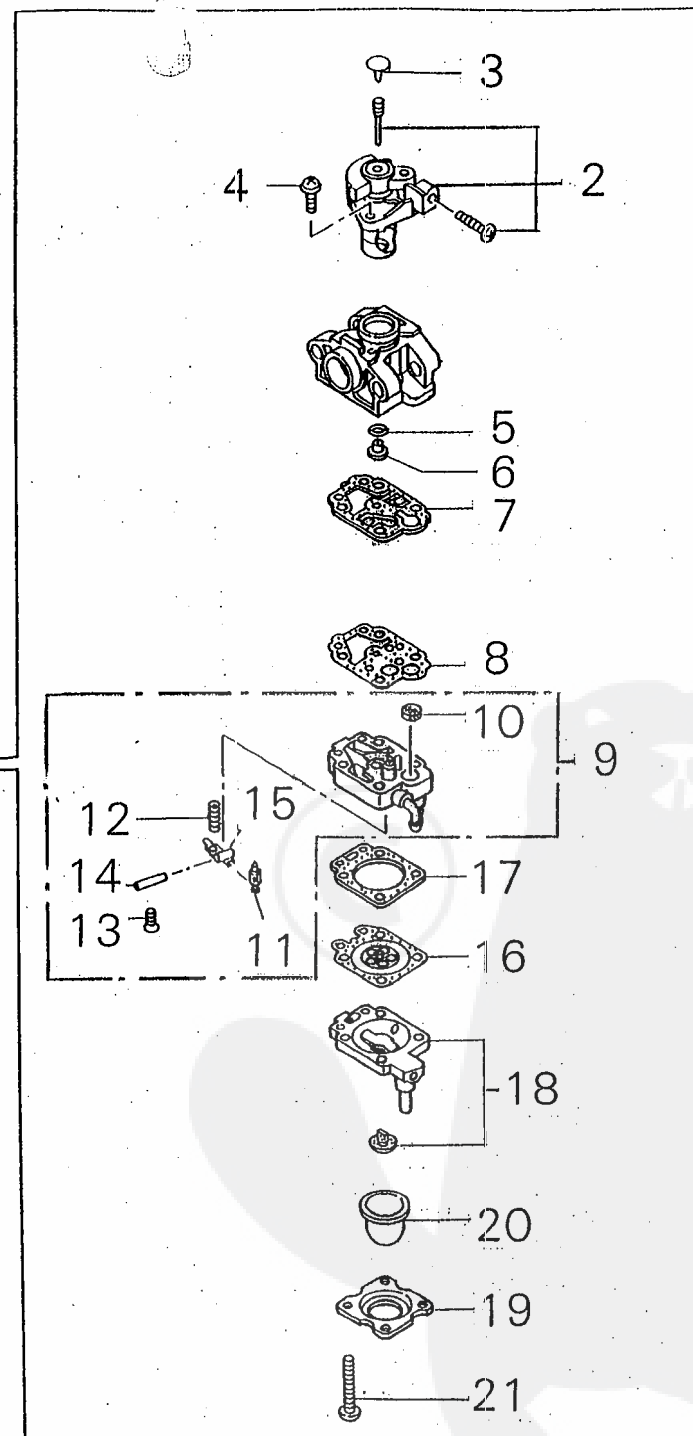
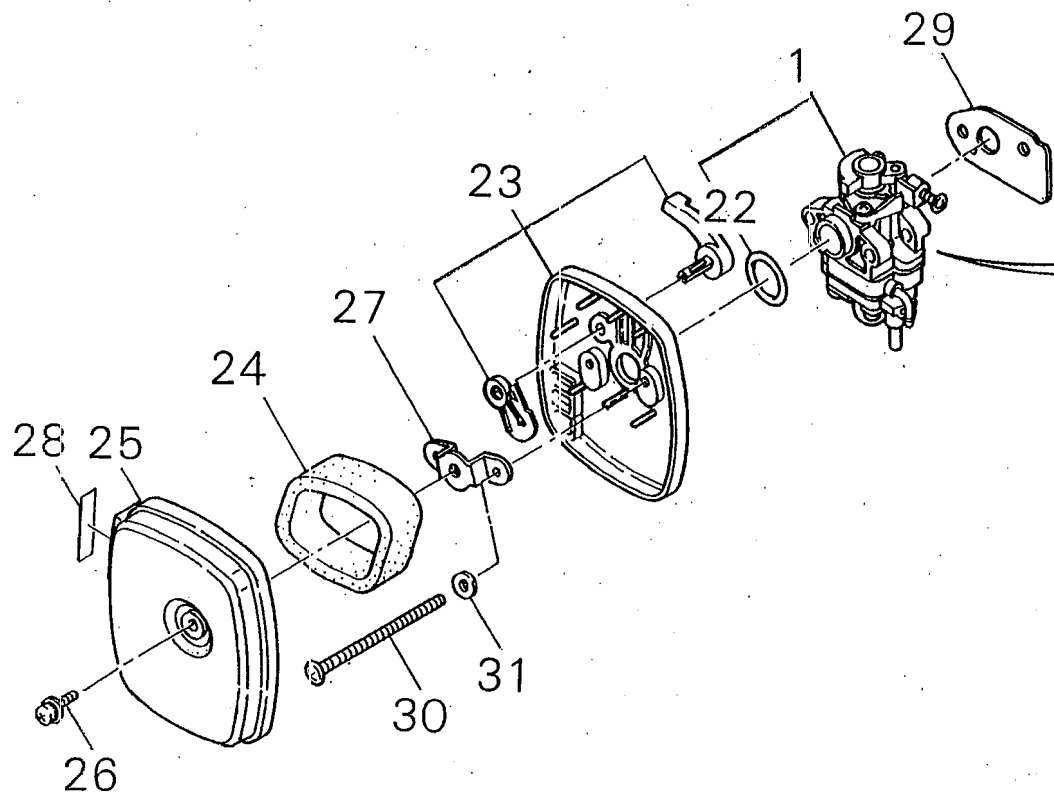
PARTS LIST
SHINDAIWA
(LI38 LIA0380P)

/22F-CE



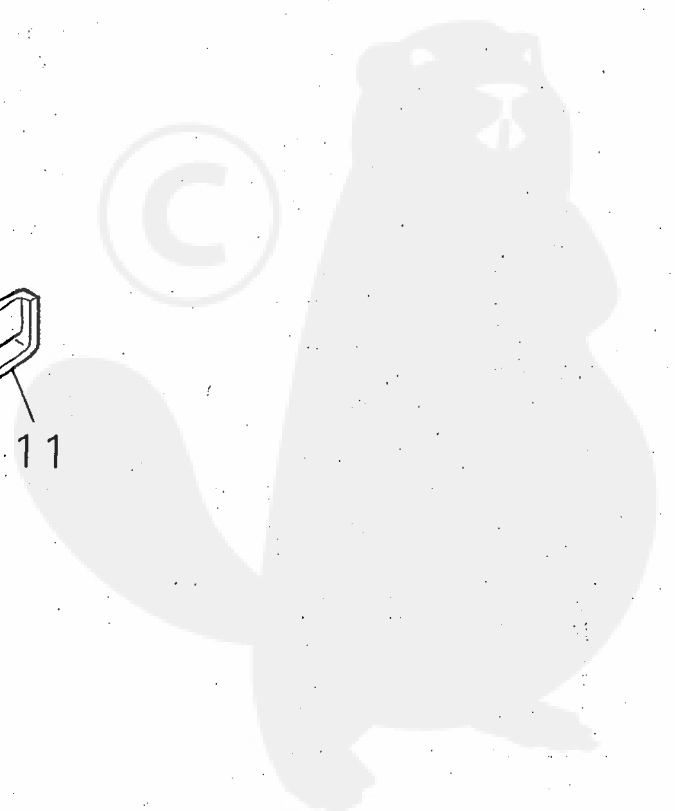
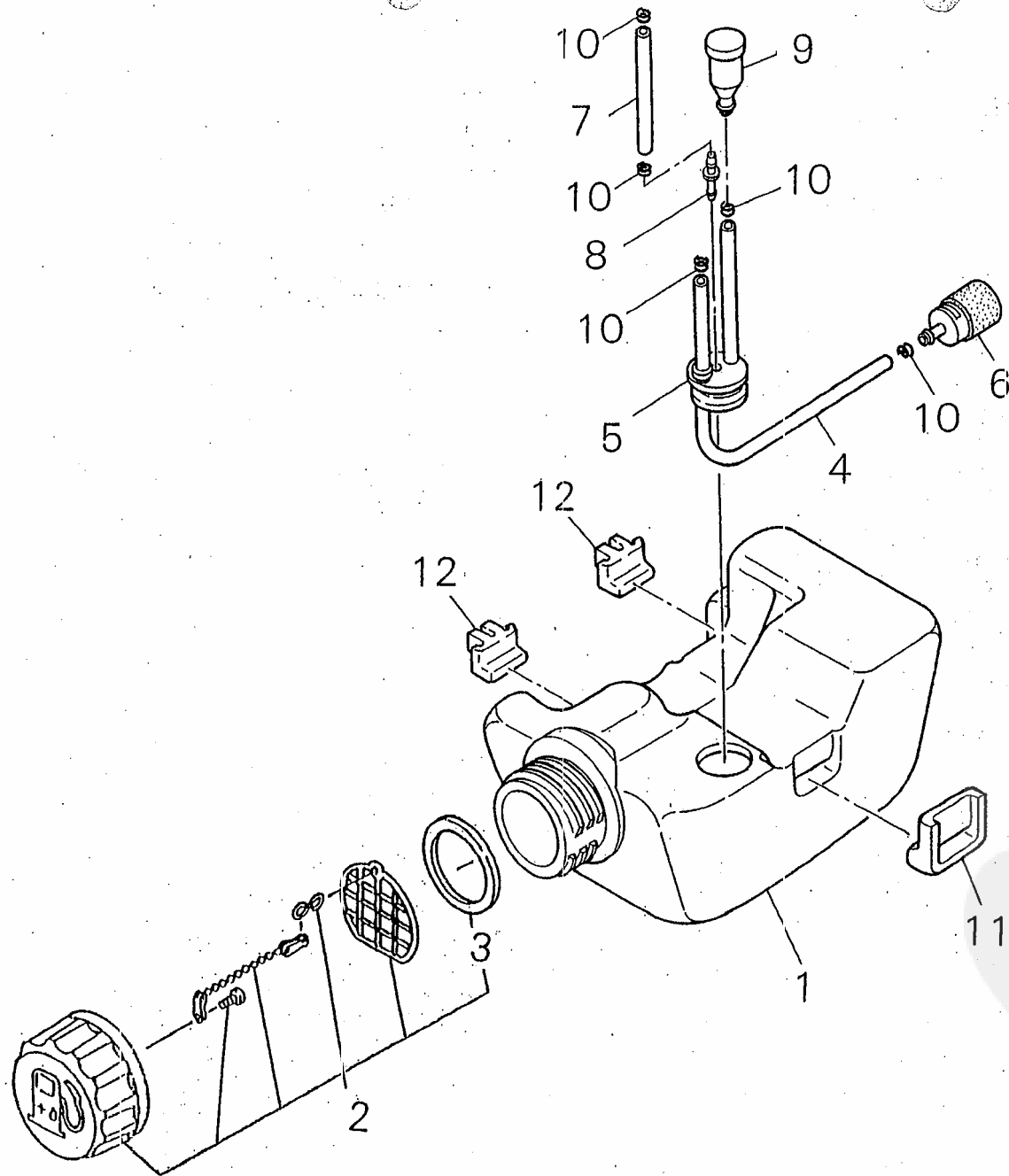


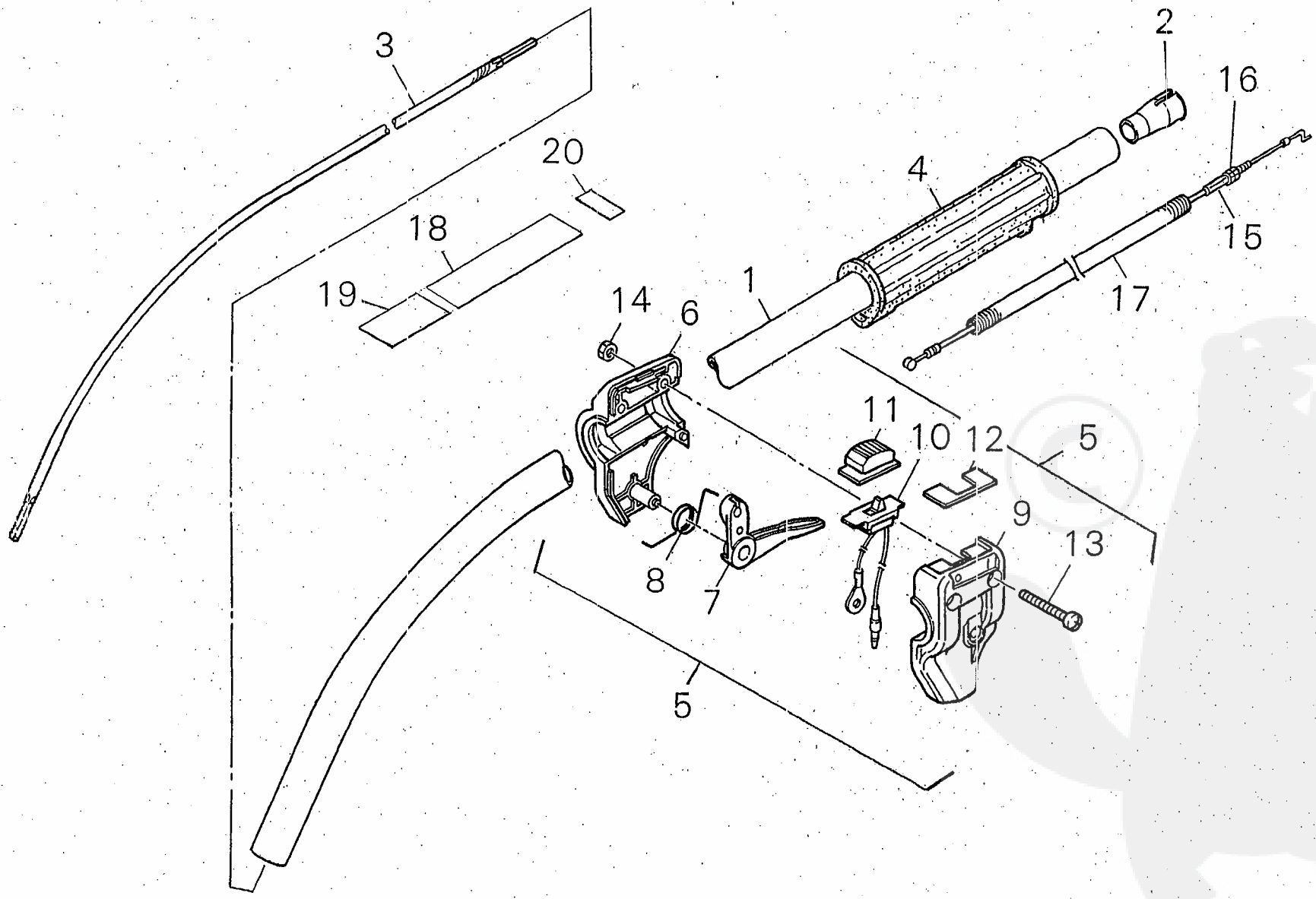




PRICE:(¥)

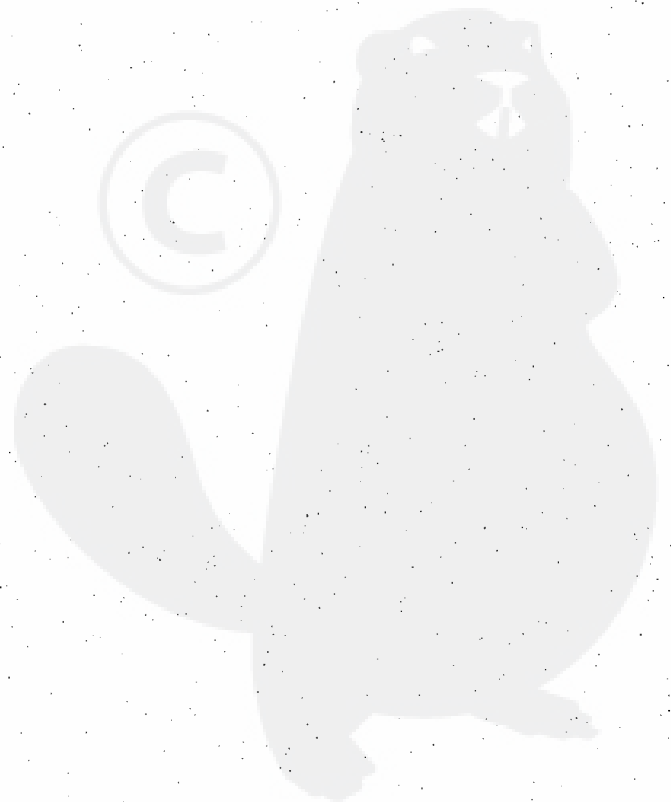
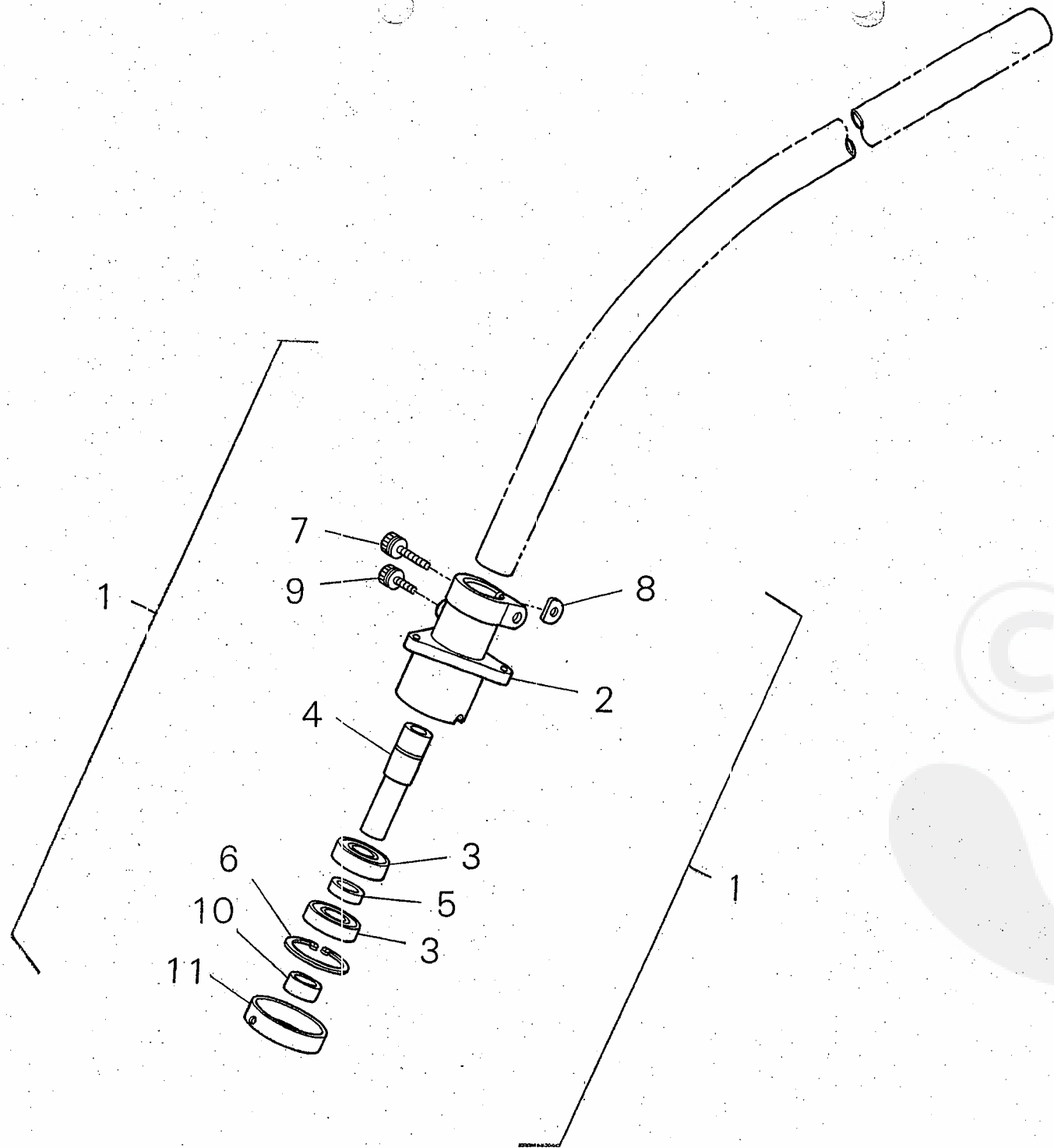
| Ref. No | Part No. | Part Name | Q'ty | emarks |
|---------|-------------|-----------------------|------|--------|
| 6- 1 | 20140-81000 | CARBURETOR | 1 | |
| 2 | 20016-81180 | • VALVE ASSY | 1 | |
| 3 | 22154-81270 | • PLUG | 1 | |
| 4 | 70064-81290 | • SCREW | 1 | |
| 5 | 70097-81220 | • O RING | 1 | |
| 6 | 20140-81230 | • MAIN JET | 1 | |
| 7 | 70097-81310 | • GASKET PUMP | 1 | |
| 8 | 70097-81320 | • DIAPHRAGM | 1 | |
| 9 | 72933-81411 | • PUMP BODY ASSY | 1 | |
| 10 | 70030-81380 | •• SCREEN | 1 | |
| 11 | 20036-81440 | •• NEEDLE VALVE | 1 | |
| 12 | 72933-81270 | •• SPRING | 1 | |
| 13 | 20016-81450 | •• SCREW | 1 | |
| 14 | 22100-81250 | •• PIN | 1 | |
| 15 | 22100-81230 | •• LEVER | 1 | |
| 16 | 22100-81260 | • DIAPHRAGM ASSY | 1 | |
| 17 | 20016-81280 | • GASKET | 1 | |
| 18 | 20016-81420 | • PUMP BASE COMP | 1 | |
| 19 | 20016-81510 | • PUMP COVER | 1 | |
| 20 | 20036-81670 | • PRIMER PUMP | 1 | |
| 21 | 20016-81140 | • SCREW | 1 | |
| 22 | 20016-81250 | • O RING | 1 | |
| 23 | 20140-81700 | CLEANER BODY SUB ASSY | 1 | |
| 24 | 20140-82210 | FILTER | 1 | |
| 25 | 20140-81790 | CLEANER COVER | 1 | |
| 26 | 20140-81810 | SCREW | 1 | |
| 27 | 20018-81721 | BACK PLATE | 1 | |
| 28 | 19404-00008 | LABEL CHOKE | 1 | |
| 29 | 20140-81350 | GASKET | 1 | |
| 30 | 11203-05658 | SCREW PM | 2 | |
| 31 | 01610-05080 | WASHER | 2 | |
| | | | | |
| | | | | |
| | | | | |
| | | | | |
| | | | | |
| | | | | |
| | | | | |
| | | | | |
| | | | | |

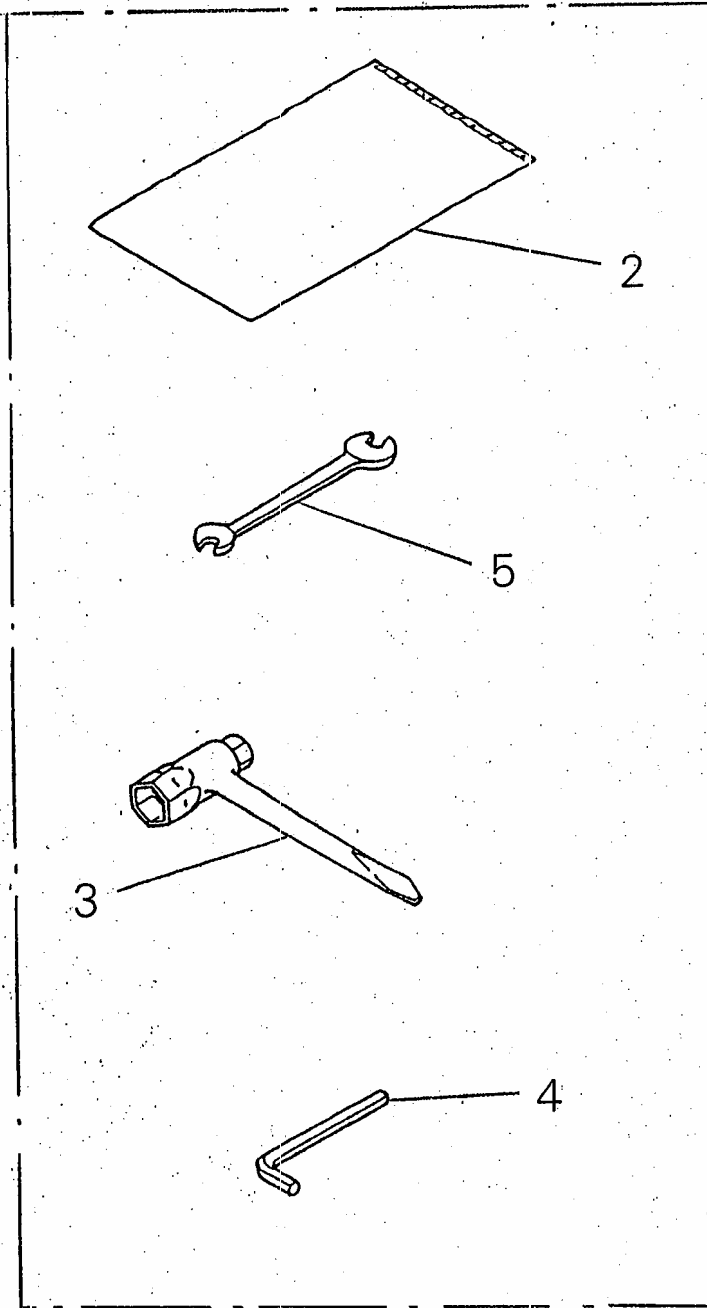




PRICE:(¥)

| Ref. No | Part No. | Part Name | Q'ty | Remarks |
|---------|-------------|---------------------|------|---------|
| 8- 1 | 67001-62111 | OUTER PIPE | 1 | |
| 2 | 67001-62320 | SPACER | 1 | |
| 3 | 67001-62211 | FLEXIBLE SHAFT | 1 | |
| 4 | 72414-12130 | GRIP | 1 | |
| 5 | 67001-62160 | THROTTLE LEVER ASSY | 1 | |
| 6 | 72414-12611 | • BRACKET RIGHT | 1 | |
| 7 | 22410-14321 | • LEVER | 1 | |
| 8 | 22410-14331 | • SPRING | 1 | |
| 9 | 72414-12640 | • BRACKET LEFT | 1 | |
| 10 | 67000-62310 | • SWITCH | 1 | |
| 11 | 22420-12930 | • KNOB | 1 | |
| 12 | 22420-12940 | • PLATE | 1 | |
| 13 | 11203-05300 | • SCREW PM | 3 | |
| 14 | 01501-05031 | • NUT | 3 | |
| 15 | 22550-14510 | THROTTLE CABLE | 1 | |
| 16 | 01501-06041 | NUT | 2 | |
| 17 | 70229-83140 | TUBE | 1 | |
| 18 | 19422-00011 | LABEL CAUTION | 1 | |
| 19 | 19402-00084 | LABEL CAUTION | 1 | |
| 20 | 72017-12150 | HANDLE LABEL | 1 | |
| | | | | |
| | | | | |
| | | | | |
| | | | | |
| | | | | |
| | | | | |
| | | | | |
| | | | | |
| | | | | |
| | | | | |
| | | | | |
| | | | | |
| | | | | |
| | | | | |
| | | | | |
| | | | | |
| | | | | |
| | | | | |
| | | | | |
| | | | | |
| | | | | |
| | | | | |
| | | | | |
| | | | | |
| | | | | |
| | | | | |
| | | | | |
| | | | | |
| | | | | |
| | | | | |





1

2

5

3

4

