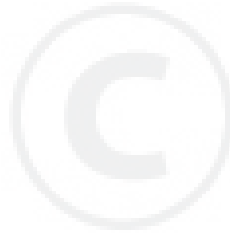


**shindaiwa<sup>®</sup>**

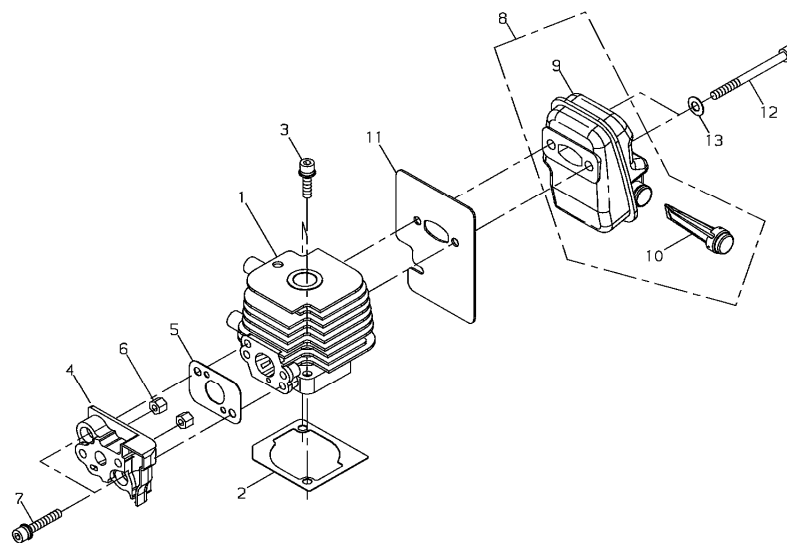
# **PARTS CATALOG**

**TRIMMER  
F220 EC1**



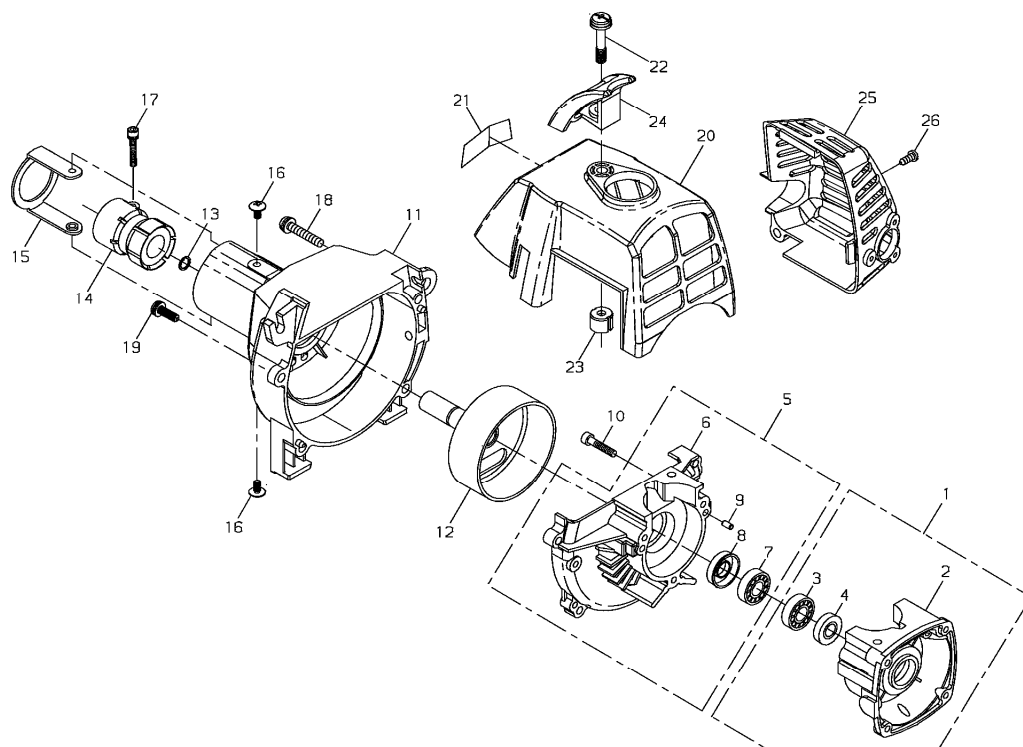
F220 EC1

## 1. Ref.1



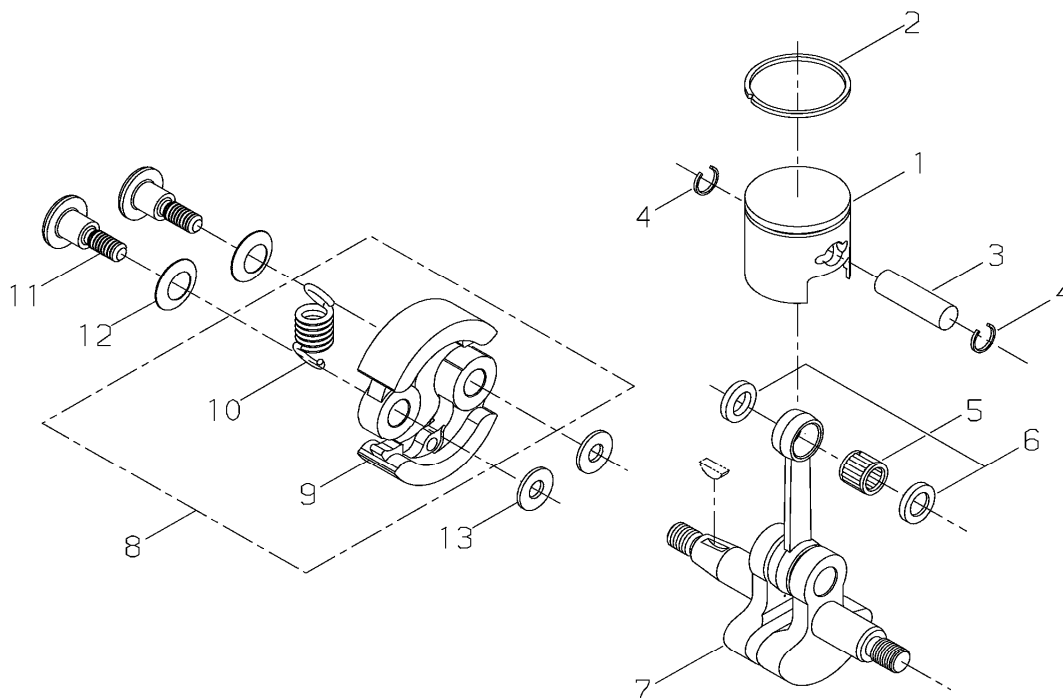
KEY	LV	PART NUMBER	Q'TY	DESCRIPTION	REMARKS	NOTE1	NOTE2
1		20142-12110	1	CYLINDER			
2		20016-12120	1	GASKET			
3		11022-05250	2	BOLT SPW		M5*25 (SW,PW)	
4		20140-12210	1	INSULATOR			
5		20140-12221	1	GASKET			
6		20011-12260	2	NUT			
7		11022-05250	2	BOLT SPW		M5*25 (SW,PW)	
8		67000-15010	1	MUFFLER ASSY			
9		67000-15110	1	MUFFLER			
10		67000-15340	1	SPARK ARRESTER			
11		20140-15120	1	GASKET			
12		01020-05400	2	BOLT		M5*40	
13		01610-05080	2	WASHER		5mm T:0.8 MFZN3-C	

## 2. Ref.2



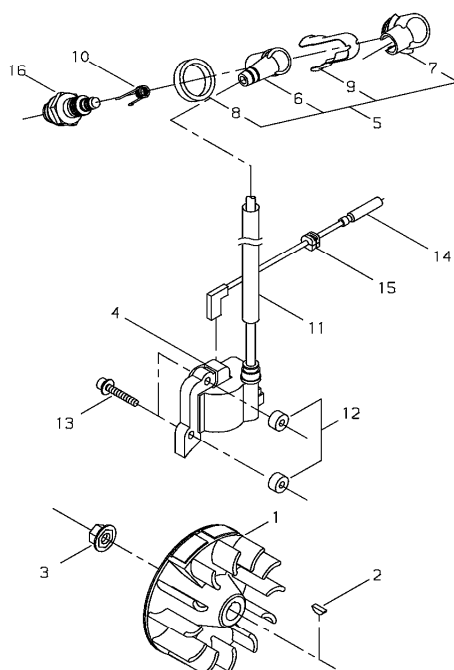
KEY	LV	PART NUMBER	Q'TY	DESCRIPTION	REMARKS	NOTE1	NOTE2
1		20035-21101	1	CRANK CASE S COMP			
2		20036-21112	1	CRANK CASE S			
3		12900-60010	1	BALL BEARING			
4		22150-21250	1	SEAL,OIL			
5		20140-21201	1	CRANK CASE M COMP			
6		20036-21124	1	CRANK CASE M			
7		12900-60010	1	BALL BEARING			
8		20000-21211	1	OIL SEAL			
9		12492-40080	2	ROLLER			
10		01020-05250	3	BOLT		M5*25	
11		20142-31113	1	FAN COVER			
12		70030-31120	1	CLUTCH DRUM			
13		20000-31140	1	SNAP RING			
14		67001-31411	1	JOINT			
15		20142-31420	1	STOPPER			
16		11260-04081	2	SCREW ADHESIVE		M4*8	
17		11020-05220	1	BOLT-SW		M5*22 SW	
18		11206-05300	1	SCREW PM SPW			
19		11206-05160	1	SCREW PM SPW		M5*16	
20		20140-32112	1	CYLINDER COVER			
21		62095-91320	1	LABEL TRADE			
22		20140-31250	1	SCREW PM SLPW			
23		20140-31260	1	INSULATOR			
24		20140-34112	1	PROTECTOR			
25		20142-32211	1	MUFFLER COVER			
26		22160-32210	1	SCREW PC			

3. Ref.3



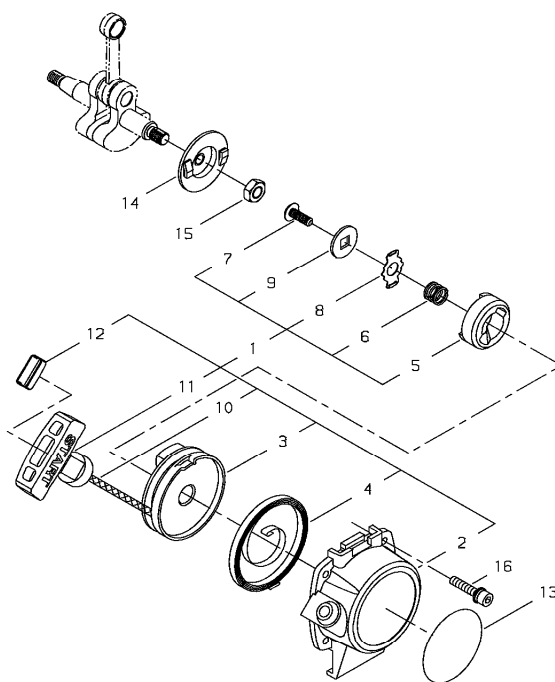
KEY	LV	PART NUMBER	Q'TY	DESCRIPTION	REMARKS	NOTE1	NOTE2
1		20142-41111	1	PISTON			
2		20142-41210	1	PISTON RING			
3		20142-41310	1	PISTON PIN			
4		70030-41320	2	RING,END			
5		67000-41230	1	NEEDLE BEARING			
6		20016-41340	2	THRUST WASHER			
7		67000-42010	1	CRANK SHAFT			
8		62090-51020	1	CLUTCH SHOE ASSY			
9	·	20035-51111	2	CLUTCH SHOE			
10	·	37013-51310	1	COIL SPRING			
11		20142-51210	2	BOLT			
12		20087-51231	2	SPRING PLATE			
13		22100-71430	2	WASHER			

## 4. Ref.4



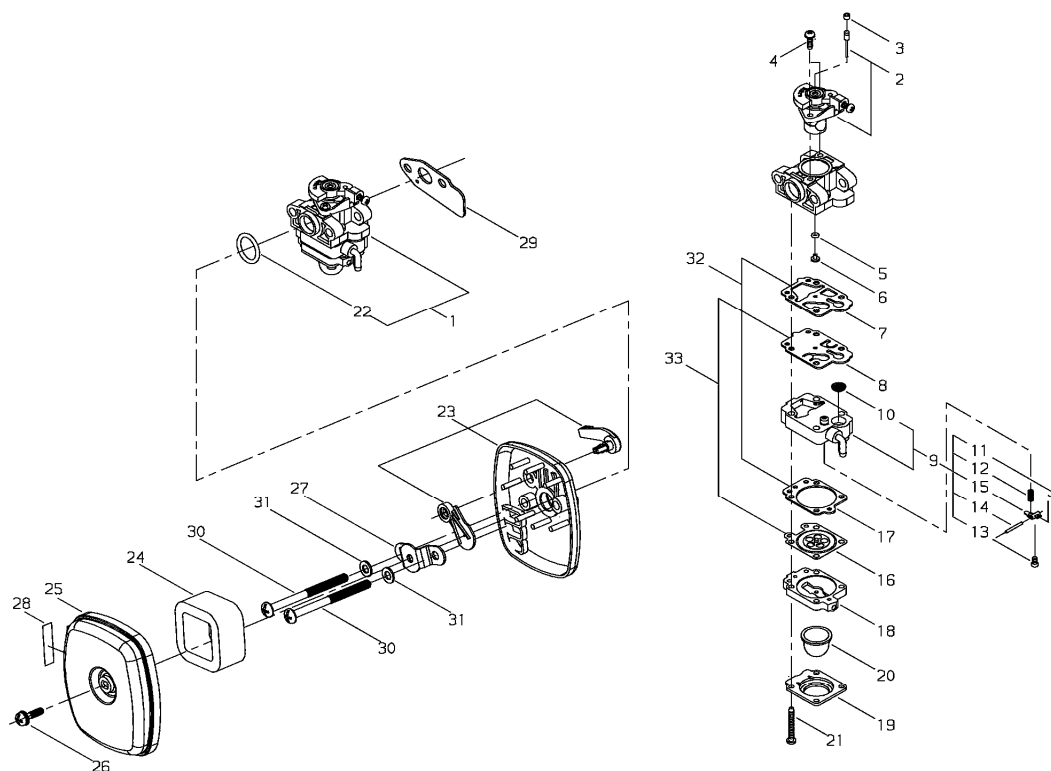
KEY	LV	PART NUMBER	Q'TY	DESCRIPTION	REMARKS	NOTE1	NOTE2
1		20140-71200	1	ROTOR			
2		02403-03100	1	KEY	3*10	3*10	
3		20035-71220	1	NUT			
4		20140-71600	1	COIL ASSY			
5		70223-72200	1	PLUG CAP COMP			
6		20010-72221	1	PLUG CAP			
7		20000-72241	1	PLUG CAP COVER			
8		20000-72250	1	COVER BAND			
9		70180-72260	1	SHIELD			
10		20000-72230	1	SPRING SPARK PLUG			
11		70064-72111	1	TUBE			
12		70030-71620	2	INSULATOR			
13		11024-04261	2	BOLT		M4*26	
14		67000-71240	1	CORD			
15		20011-72120	1	GROMMET			
16		13000-13406	1	SPARK PLUG BMR6A		BMR6A	

## 5. Ref.5



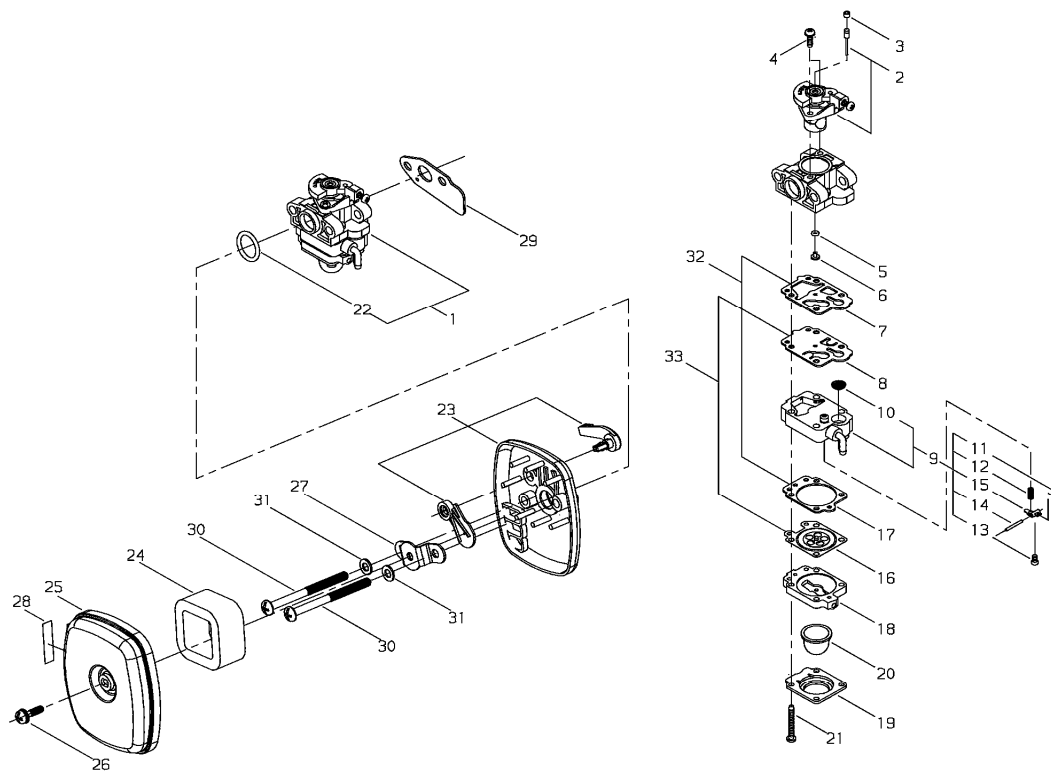
KEY	LV	PART NUMBER	Q'TY	DESCRIPTION	REMARKS	NOTE1	NOTE2
1		20140-75900	1	RECOIL STARETR			
2	•	20140-75110	1	STARTER CASE			
3	•	20140-75120	1	REEL			
4	•	20140-75130	1	SPRING			
5	•	20140-75140	1	DOG			
6	•	20140-75150	1	BRAKE SPRING			
7	•	20140-75160	1	SCREW			
8	•	20140-75170	1	RETAINER			
9	•	20140-75180	1	WASHER			
10	•	70064-75190	1	ROPE			
11	•	70064-75211	1	HANDLE			
12	•	70064-75220	1	STOPPER			
13		62090-91330	1	NAME PLATE			
14		20140-75310	1	STARTER PULLEY			
15		01511-08051	1	NUT		M8*5	
16		11024-04120	2	BOLT SPW			

## 6. Ref.6



KEY	LV	PART NUMBER	Q'TY	DESCRIPTION	REMARKS	NOTE1	NOTE2
1		67000-81010	1	CARBURETOR ASSY			
2	▪	20016-81180	1	VALVE ASSY			
3	▪	62074-81320	1	PLAG			
4	▪	70064-81290	2	SCREW	M3*10		
5	▪	70097-81220	1	O-RING			
6	▪	67000-81330	1	MAIN JET			
7	▪	70097-81310	1	GASKET,PUMP			
8	▪	70097-81320	1	DIAPHRAGM			
9		72933-81410	1	PUMP BODY ASSY			
10	▪	70030-81380	1	SCREEN			
11	▪	20036-81440	1	VALVE			
12	▪	72933-81270	1	SPRING			
13	▪	20016-81450	1	SCREW			
14	▪	22100-81250	1	PIN			
15	▪	22100-81230	1	LEVER, METERING			
16	▪	22100-81260	1	DIAPHRAGM ASM			
17	▪	20016-81280	1	GASKET			
18		20016-81420	1	PUMP BASE COMP			
19		20016-81510	1	PUMP COVER			
20		20036-81670	1	PRIMER PUMP			
21		20016-81140	4	SCREW			
22		20016-81250	1	O RING			
23		20140-81700	1	CLEANER BODY			
24		20140-82210	1	FILTER			
25		20140-81790	1	CLEANER COVER			
26		37019-82340	1	SCREW PM SLPW			

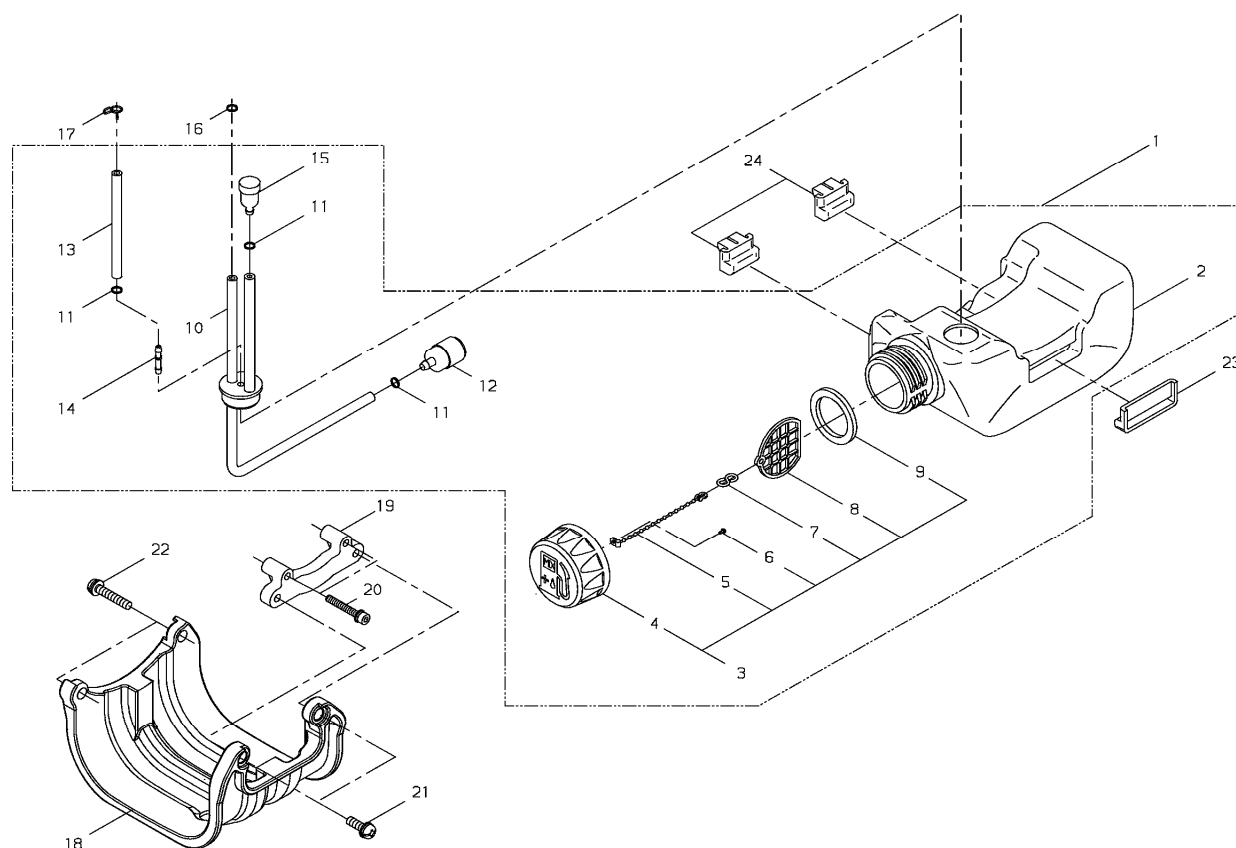
6. Ref.6



KEY	LV	PART NUMBER	Q'TY	DESCRIPTION	REMARKS	NOTE1	NOTE2
27		20018-81721	1	BACK PLATE			
28		19404-00008	1	LABEL CHOKE			
29		20140-81350	1	GASKET			
30		11203-05658	2	SCREW PM			
31		01610-05080	2	WASHER			
32		20016-81910	1	GASKET KIT			
33		70097-81920	1	DIAPHRAGM KIT			

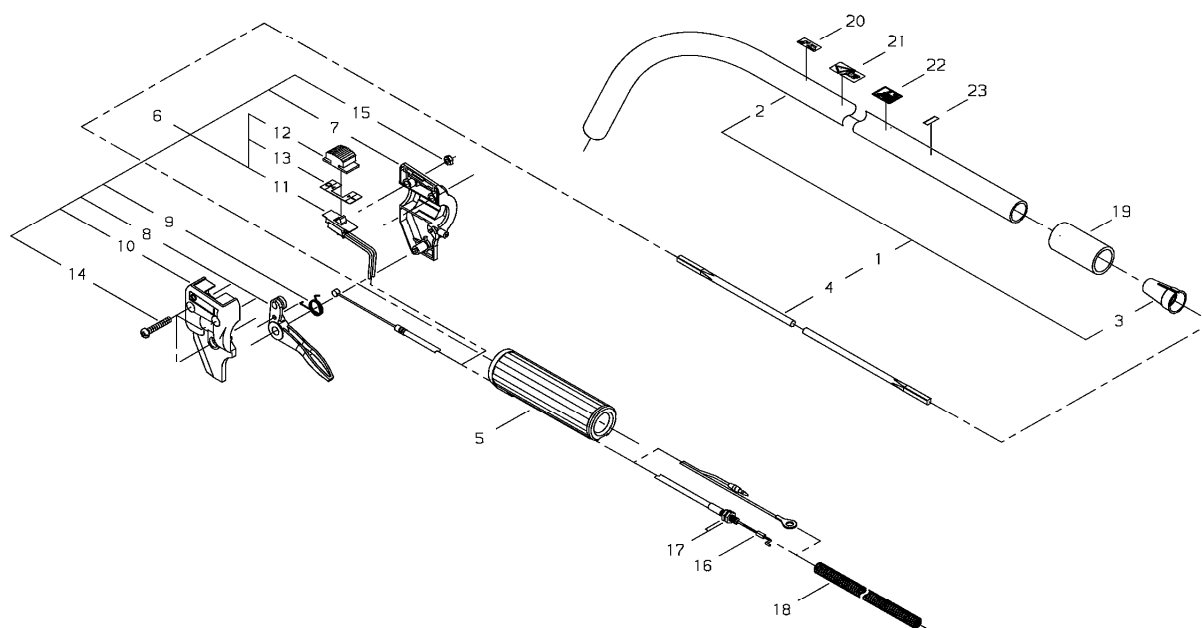


## 7. Ref.7



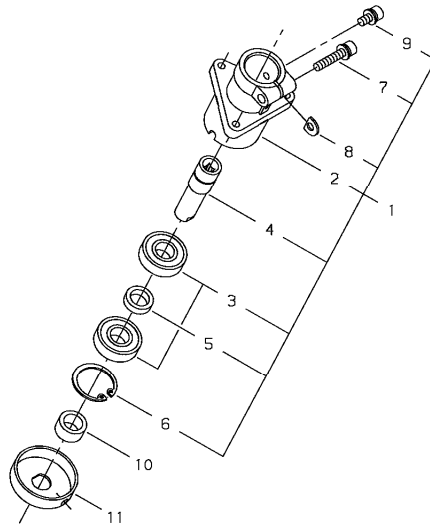
KEY	LV	PART NUMBER	Q'TY	DESCRIPTION	REMARKS	NOTE1	NOTE2
1		62002-85013	1	FUEL TANK ASSY			
2	•	20142-85113	1	FUEL TANK			
3	•	70168-85201	1	FUEL CAP ASSY			
4	• •	70168-85210	1	FUEL CAP			
5	• •	22128-57250	1	CHAIN CAP			
6	• •	22155-21330	1	HOOK			
7	• •	01270-25064	1	SCREW TAPPING			
8	• •	22150-21350	1	CLIP			
9	• •	20000-85221	1	GASKET			
10	•	20140-85310	1	FUEL PIPE			
11	•	20020-85540	3	CLIP			
12	•	20016-85400	1	FUEL FILTER			
13	•	20112-85361	1	PIPE			
14	•	72933-85620	1	JOINT			
15	•	20035-85522	1	VALVE			
16		20020-85540	1	CLIP			
17		37013-85310	1	CLIP			
18		62902-85320	1	TANK GUARD			
19		67000-86310	1	BRACKET			
20		11024-04300	2	BOLT SW			
21		11206-05180	2	SCREW PM			
22		11206-05350	2	SCREW PM SPW			
23		20087-86130	1	TANK CUSHION			
24		20087-86141	2	TANK CUSHION			

## 8. Ref.8



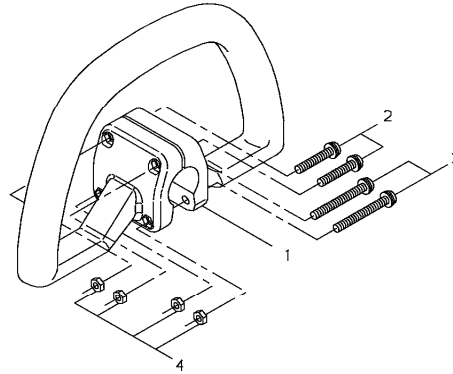
KEY	LV	PART NUMBER	Q'TY	DESCRIPTION	REMARKS	NOTE1	NOTE2
1		67001-62021	1	OUTER PIPE SUB ASSY			
2	•	67001-62111	1	OUTER PIPE			
3	•	67001-62320	1	SPACER			
4	•	67001-62211	1	FLEXIBLE SHAFT			
5		72414-12130	1	GRIP			
6		67001-62160	1	THROTTLE LEVER ASSY			
7	•	72414-12612	1	BRACKET RIGHT			
8	•	22410-14321	1	LEVER			
9	•	22410-14331	1	SPRING			
10	•	72414-12641	1	BRACKET LEFT			
11	•	67000-62310	1	SWITCH			
12	•	22420-12930	1	KNOB			
13	•	22420-12940	1	PLATE			
14	•	11206-05300	3	SCREW PM SPW			
15	•	01501-05031	3	NUT		M5 MFZN3-C	
16		22550-14510	1	THROTTLE CABLE			
17		01501-06041	2	NUT	M6	M6 MFZN3-C	
18		70229-83140	1	TUBE			
19		63061-62310	1	PROTECTOR			
20		19402-00231	1	LABEL CAUTION			
21		19422-00016	1	LABEL CAUTION			
22		19404-00035	1	LABEL DECIBEL		110dB(A)	
23		72017-12150	1	HANDLE LABEL			

9. Ref.9



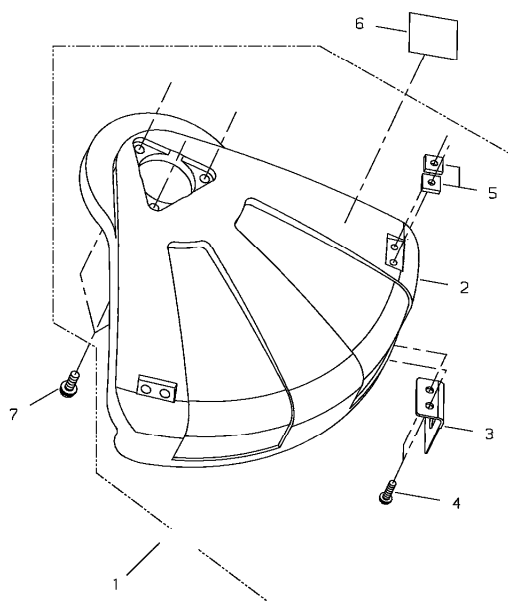
KEY	LV	PART NUMBER	Q'TY	DESCRIPTION	REMARKS	NOTE1	NOTE2
1		67001-63010	1	SHAFT CASE ASSY			
2	•	72097-13110	1	SHAFT CASE			
3	•	02006-06001	2	BEARING	6001DDU	6001DDU	
4	•	72414-13120	1	SHAFT			
5	•	72030-13130	1	COLLAR A			
6	•	02432-28120	1	SNAP RING			
7	•	11022-05250	1	BOLT SPW		M5x25	
8	•	22000-13420	1	SHIM			
9	•	11022-05100	1	BOLT SPW		M5x10	
10		72030-13140	1	COLLAR B			
11		72030-13151	1	HOLDER			

## 10. Ref.10



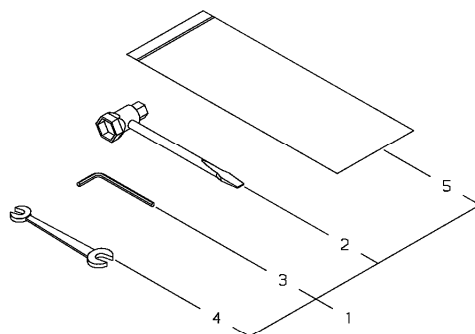
KEY	LV	PART NUMBER	Q'TY	DESCRIPTION	REMARKS	NOTE1	NOTE2
1		72495-14110	1	HANDLE			
2		11207-05300	2	SCREW PM SLPW		M5*30	
3		11207-05450	2	SCREW PM SLPW		M5*45	
4		01500-05041	4	NUT	M5	M5 MFZN3-C	

11. Ref.11



KEY	LV	PART NUMBER	Q'TY	DESCRIPTION	REMARKS	NOTE1	NOTE2
1		64110-66311	1	GUARD ASSY			
2	•	72030-16117	1	GUARD			
3	•	67001-66310	1	CUTTER			
4	•	11204-04160	2	SCREW PM SW		M4x16	
5	•	72030-16151	2	NUT			
6		72030-16140	1	CAUTION PLATE			
7		11206-05160	3	SCREW PM SPW		M5x16	

12. Ref.12



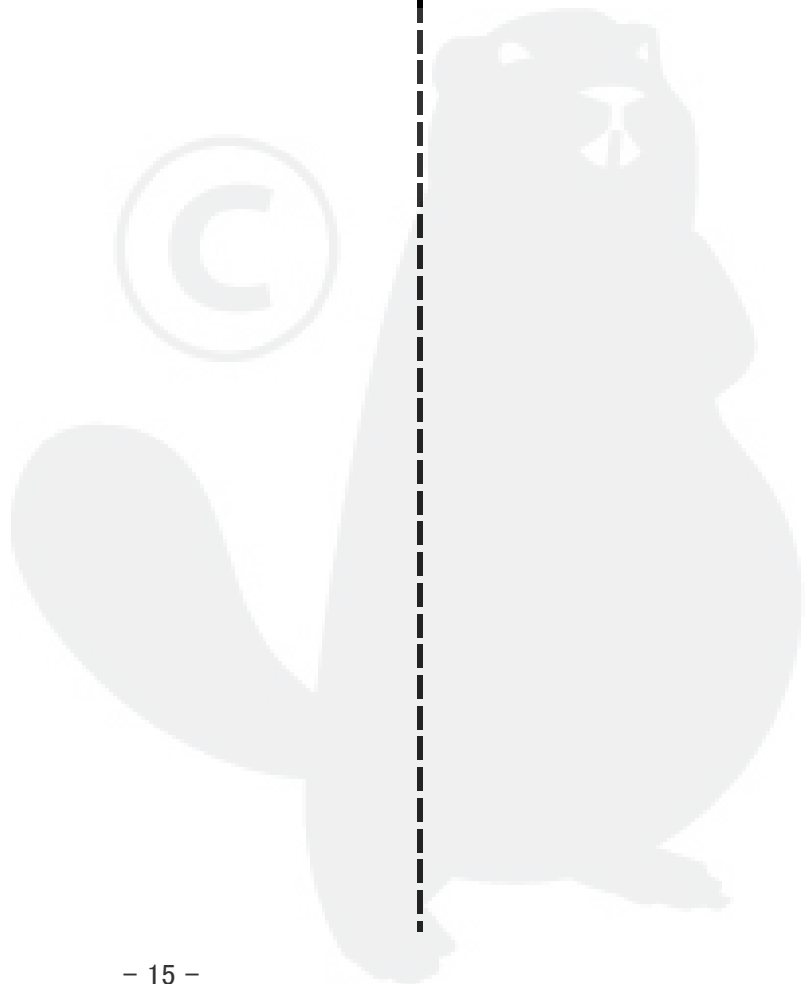
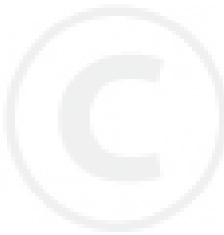
KEY	LV	PART NUMBER	Q'TY	DESCRIPTION	REMARKS	NOTE1	NOTE2
1		22410-91000	1	TOOL SET			
2	•	22000-91181	1	PLUG WRENCH			
3	•	09026-04001	1	HEXA WRENCH	4MM M5㉿	4mm	
4	•	22000-91120	1	SPANNER			
5	•	19639-01400	1	BAG,PACKING	140*200*T0.08		

**Index**

<b>Patrs Number</b>	<b>Key No.</b>	<b>Patrs Number</b>	<b>Key No.</b>	<b>Patrs Number</b>	<b>Key No.</b>
01020-05250	2 - 10	20011-72120	4 - 15	20140-81790	6 - 25
01020-05400	1 - 12	20016-12120	1 - 2	20140-82210	6 - 24
01270-25064	7 - 7	20016-41340	3 - 6	20140-85310	7 - 10
01500-05041	10 - 4	20016-81140	6 - 21	20142-12110	1 - 1
01501-05031	8 - 15	20016-81180	6 - 2	20142-31113	2 - 11
01501-06041	8 - 17	20016-81250	6 - 22	20142-31420	2 - 15
01511-08051	5 - 15	20016-81280	6 - 17	20142-32211	2 - 25
01610-05080	1 - 13	20016-81420	6 - 18	20142-41111	3 - 1
01610-05080	6 - 31	20016-81450	6 - 13	20142-41210	3 - 2
02006-06001	9 - 3	20016-81510	6 - 19	20142-41310	3 - 3
02403-03100	4 - 2	20016-81910	6 - 32	20142-51210	3 - 11
02432-28120	9 - 6	20016-85400	7 - 12	20142-85113	7 - 2
09026-04001	12 - 3	20018-81721	6 - 27	22000-13420	9 - 8
11020-05220	2 - 17	20020-85540	7 - 11	22000-91120	12 - 4
11022-05100	9 - 9	20020-85540	7 - 16	22000-91181	12 - 2
11022-05250	1 - 3	20035-21101	2 - 1	22100-71430	3 - 13
11022-05250	1 - 7	20035-51111	3 - 9	22100-81230	6 - 15
11022-05250	9 - 7	20035-71220	4 - 3	22100-81250	6 - 14
11024-04120	5 - 16	20035-85522	7 - 15	22100-81260	6 - 16
11024-04261	4 - 13	20036-21112	2 - 2	22128-57250	7 - 5
11024-04300	7 - 20	20036-21124	2 - 6	22150-21250	2 - 4
11203-05658	6 - 30	20036-81440	6 - 11	22150-21350	7 - 8
11204-04160	11 - 4	20036-81670	6 - 20	22155-21330	7 - 6
11206-05160	11 - 7	20087-51231	3 - 12	22160-32210	2 - 26
11206-05160	2 - 19	20087-86130	7 - 23	22410-14321	8 - 8
11206-05180	7 - 21	20087-86141	7 - 24	22410-14331	8 - 9
11206-05300	2 - 18	20112-85361	7 - 13	22410-91000	12 - 1
11206-05300	8 - 14	20140-12210	1 - 4	22420-12930	8 - 12
11206-05350	7 - 22	20140-12221	1 - 5	22420-12940	8 - 13
11207-05300	10 - 2	20140-15120	1 - 11	22550-14510	8 - 16
11207-05450	10 - 3	20140-21201	2 - 5	37013-51310	3 - 10
11260-04081	2 - 16	20140-31250	2 - 22	37013-85310	7 - 17
12492-40080	2 - 9	20140-31260	2 - 23	37019-82340	6 - 26
12900-60010	2 - 3	20140-32112	2 - 20	62002-85013	7 - 1
12900-60010	2 - 7	20140-34112	2 - 24	62074-81320	6 - 3
13000-13406	4 - 16	20140-71200	4 - 1	62090-51020	3 - 8
19402-00231	8 - 20	20140-71600	4 - 4	62090-91330	5 - 13
19404-00008	6 - 28	20140-75110	5 - 2	62095-91320	2 - 21
19404-00035	8 - 22	20140-75120	5 - 3	62902-85320	7 - 18
19422-00016	8 - 21	20140-75130	5 - 4	63061-62310	8 - 19
19639-01400	12 - 5	20140-75140	5 - 5	64110-66311	11 - 1
20000-21211	2 - 8	20140-75150	5 - 6	67000-15010	1 - 8
20000-31140	2 - 13	20140-75160	5 - 7	67000-15110	1 - 9
20000-72230	4 - 10	20140-75170	5 - 8	67000-15340	1 - 10
20000-72241	4 - 7	20140-75180	5 - 9	67000-41230	3 - 5
20000-72250	4 - 8	20140-75310	5 - 14	67000-42010	3 - 7
20000-85221	7 - 9	20140-75900	5 - 1	67000-62310	8 - 11
20010-72221	4 - 6	20140-81350	6 - 29	67000-71240	4 - 14
20011-12260	1 - 6	20140-81700	6 - 23	67000-81010	6 - 1

**Index**

<b>Patrs Number</b>	<b>Key No.</b>	<b>Patrs Number</b>	<b>Key No.</b>	<b>Patrs Number</b>	<b>Key No.</b>
67000-81330	6 - 6				
67000-86310	7 - 19				
67001-31411	2 - 14				
67001-62021	8 - 1				
67001-62111	8 - 2				
67001-62160	8 - 6				
67001-62211	8 - 4				
67001-62320	8 - 3				
67001-63010	9 - 1				
67001-66310	11 - 3				
70030-31120	2 - 12				
70030-41320	3 - 4				
70030-71620	4 - 12				
70030-81380	6 - 10				
70064-72111	4 - 11				
70064-75190	5 - 10				
70064-75211	5 - 11				
70064-75220	5 - 12				
70064-81290	6 - 4				
70097-81220	6 - 5				
70097-81310	6 - 7				
70097-81320	6 - 8				
70097-81920	6 - 33				
70168-85201	7 - 3				
70168-85210	7 - 4				
70180-72260	4 - 9				
70223-72200	4 - 5				
70229-83140	8 - 18				
72017-12150	8 - 23				
72030-13130	9 - 5				
72030-13140	9 - 10				
72030-13151	9 - 11				
72030-16117	11 - 2				
72030-16140	11 - 6				
72030-16151	11 - 5				
72097-13110	9 - 2				
72414-12130	8 - 5				
72414-12612	8 - 7				
72414-12641	8 - 10				
72414-13120	9 - 4				
72495-14110	10 - 1				
72933-81270	6 - 12				
72933-81410	6 - 9				
72933-85620	7 - 14				

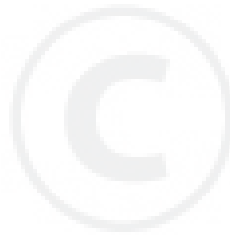




# YAMABIKO CORPORATION

7-2 SUEHIROCHO 1-CHOME, OHME, TOKYO 198-8760, JAPAN  
PHONE: 81-428-32-6118. FAX: 81-428-32-6145.

**shindaiwa<sup>®</sup>**



EC1  
No.