

shindaiwa®

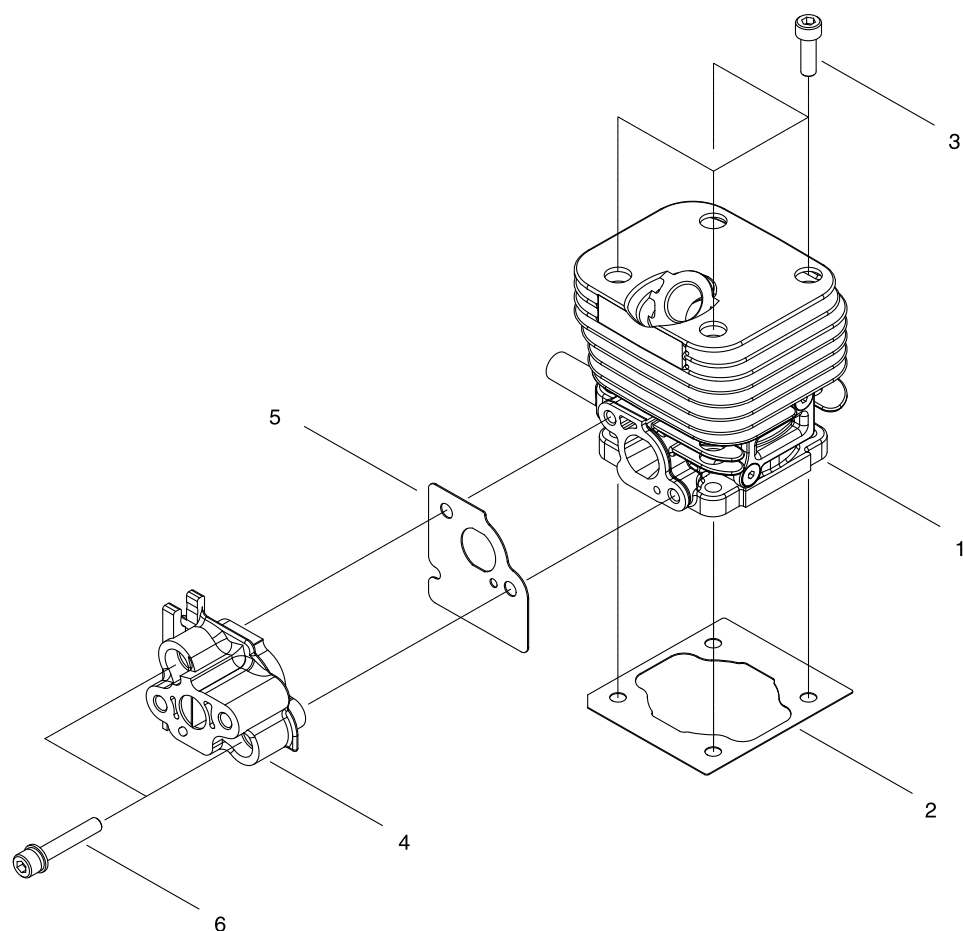
PARTS CATALOG

TRIMMER T310XS(37)

37000001 -

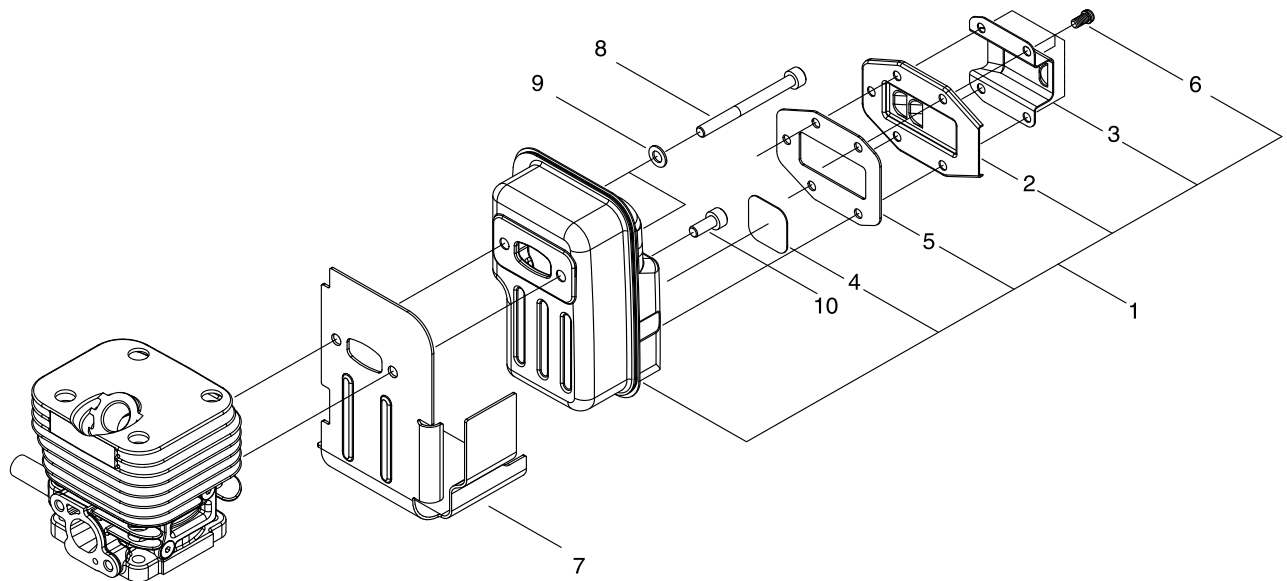
P016-000490-11Gb

1. CYLINDER



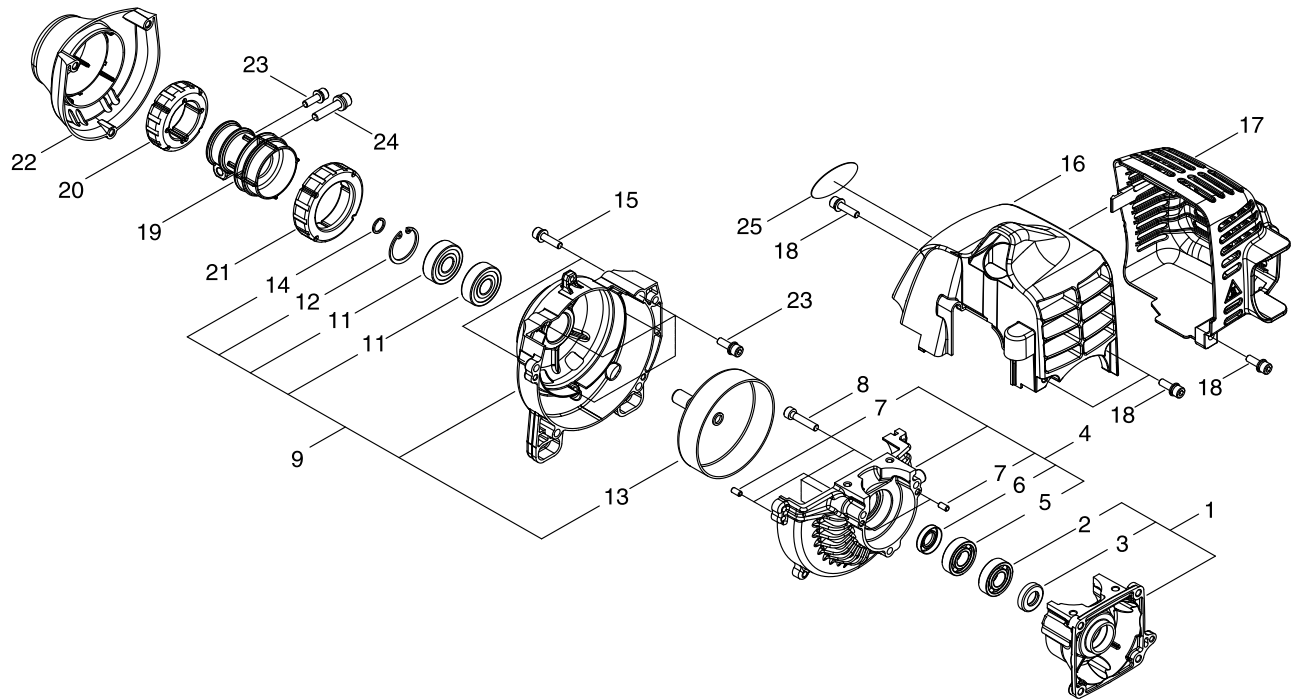
KEY	LV	PART NUMBER	Q'TY	DESCRIPTION	REMARKS	NOTE1	NOTE2
1		A130-001280	1	CYLINDER COMP			
2		V100-000440	1	GASKET			
3		900105-05016	4	BOLT, H.S. 5*16	5*16		
4		A200-000620	1	INSULATOR			
5		V103-000660	1	GASKET			
6		V203-000580	2	BOLT,5			

2. MUFFLER



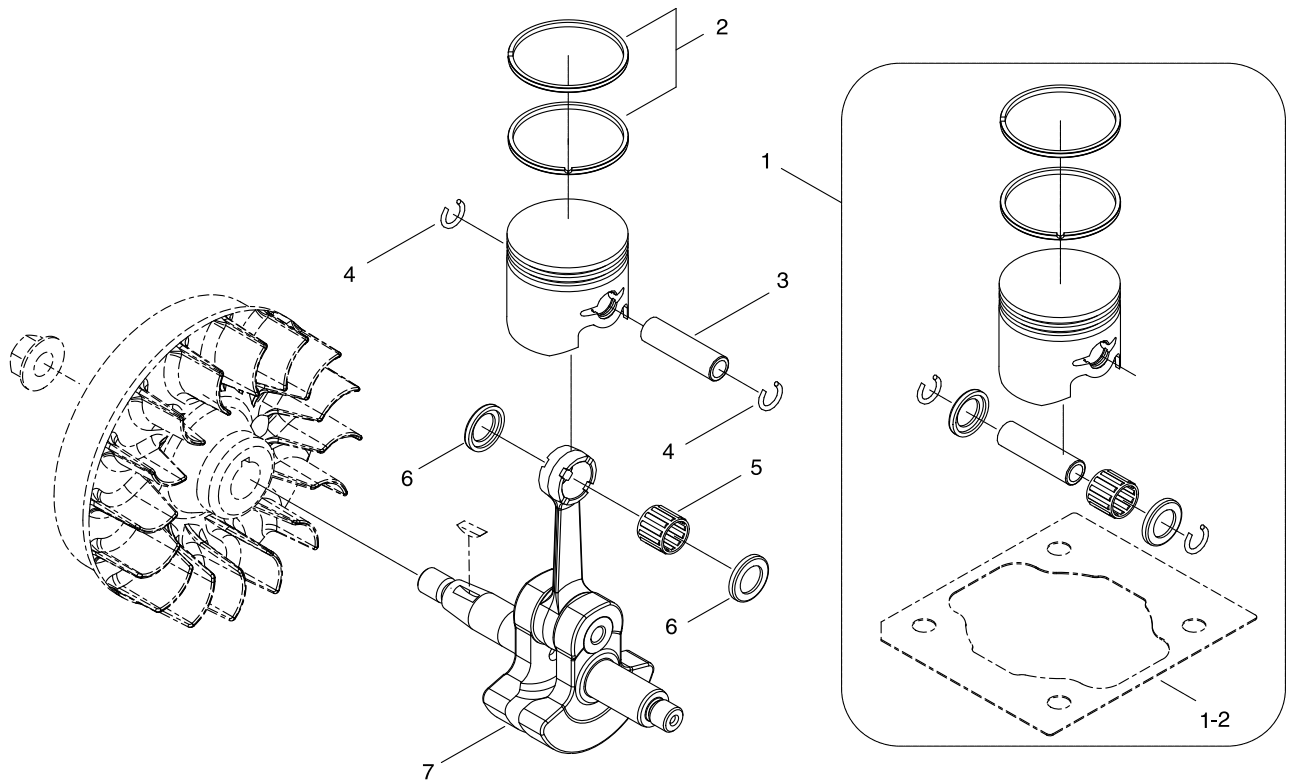
KEY	LV	PART NUMBER	Q'TY	DESCRIPTION	REMARKS	NOTE1	NOTE2
1		A030-000211	1	MUFFLER ASY			
2	+	A313-001281	1	GUIDE, EXHAUST			
3	+	A313-001230	1	TAIL PLATE			
4	+	A310-000170	1	SCREEN			
5	+	V104-001270	1	GASKET			
6	+	900283-04008	5	SCREW 4*8	4*8		
7		V104-001280	1	GASKET			
8		91109-05055	2	BOLT	CB-5*0.8*55		
9		900604-00005	2	WASHER 5 SUS	5 SUS		
10		900105-05012	1	BOLT, H.S. 5*12	5*12		

3. CRANKCASE, CYLINDER COVER



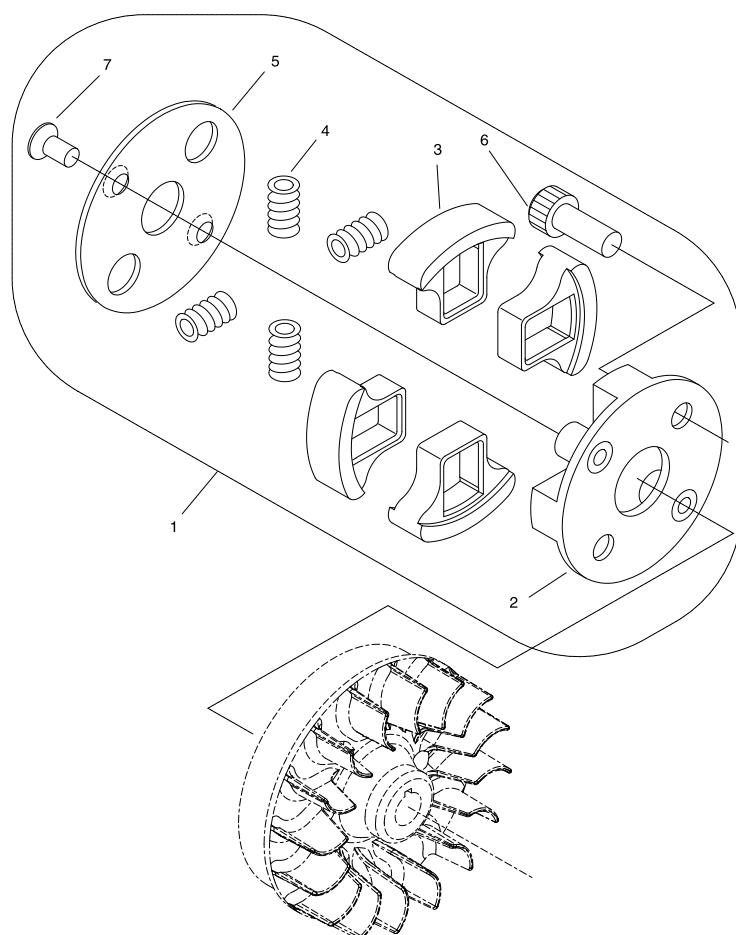
KEY	LV	PART NUMBER	Q'TY	DESCRIPTION	REMARKS	NOTE1	NOTE2
1		P021-028130	1	CRANKCASE,S COMP			
2	+	V592-000330	1	BEARING, BALL	6201X3C3		
3	+	V505-000090	1	OIL SEAL			
4		P021-028140	1	CRANKCASE,M COMP			
5	+	V592-000330	1	BEARING, BALL	6201X3C3		
6	+	V505-000090	1	OIL SEAL			
7	+	V622-000040	4	ROLLER			
8		900105-05025	3	BOLT, H.S. 5*25	5*25		
9		P021-036850	1	FAN COVER ASY			
11	+	94002-36001	2	BEARING, BALL			
12	+	92424-28000	1	SNAP RING			
13	+	A556-000790	1	CLUTCH DRUM			
14	+	V583-000170	1	SNAP RING			
15		V203-000350	2	BOLT SPW			
16		A160-001550	1	CYLINDER COVER			
17		A320-000691	1	COVER,MUFFLER			
18		V203-000760	4	BOLT ADHESIVE			
19		A575-000270	1	JOINT			
20		V423-000040	1	FRONT CUSHION			
21		V423-000050	1	REAR CUSHION			
22		A575-000490	1	FIXTURE,MAIN PIPE			
23		V203-000590	4	BOLT SPW			
24		V204-000410	1	BOLT SPW			
25		X504-006270	1	LABEL,BRAND			

4. CRANKSHAFT, PISTON



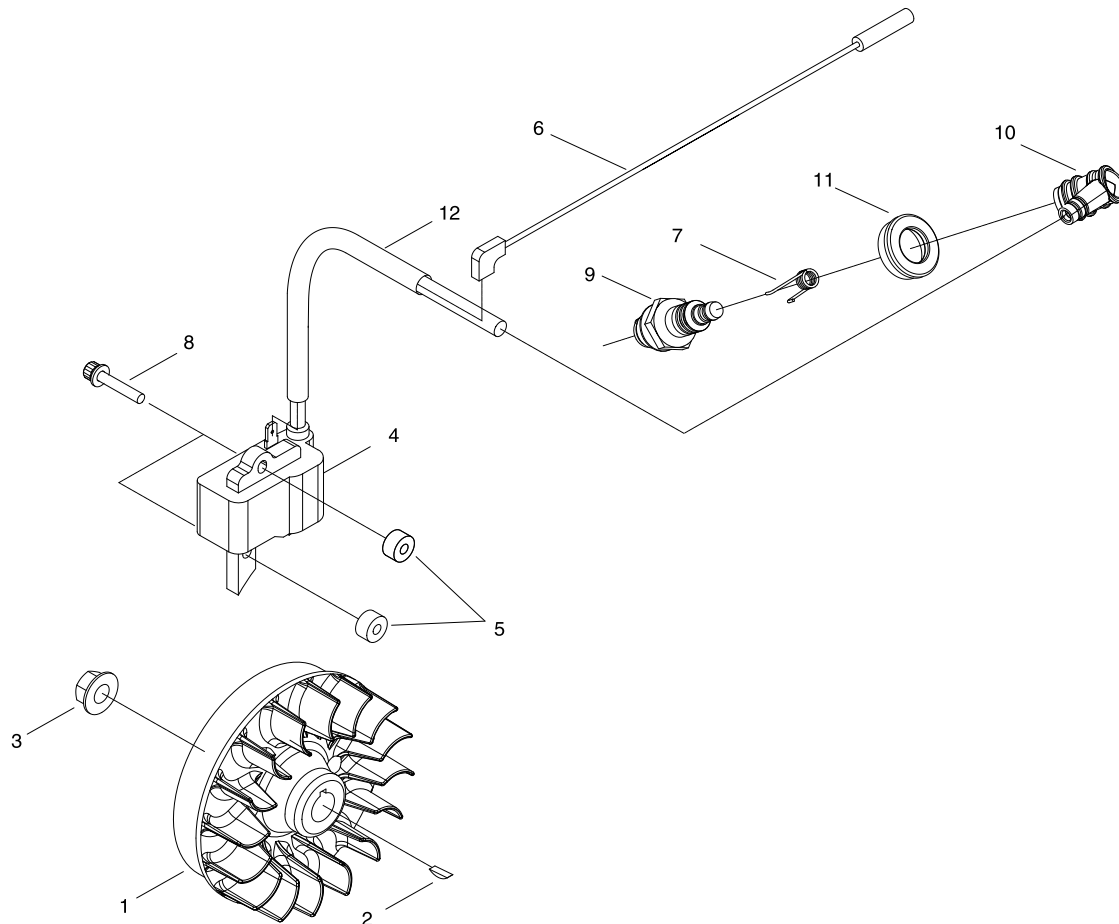
KEY	LV	PART NUMBER	Q'TY	DESCRIPTION	REMARKS	NOTE1	NOTE2
1		A010-000030	1	PISTON,ASM			
2	+	A101-000340	2	PISTON RING			
3	+	V607-000020	1	PISTON PIN			
4	+	V580-000090	2	SNAP RING			
5	+	V554-000010	1	NEEDLE BEARING			
6	+	V392-000020	2	THRUST WASHER			
7		A011-000800	1	CRANKSHAFT			

5. CLUTCH



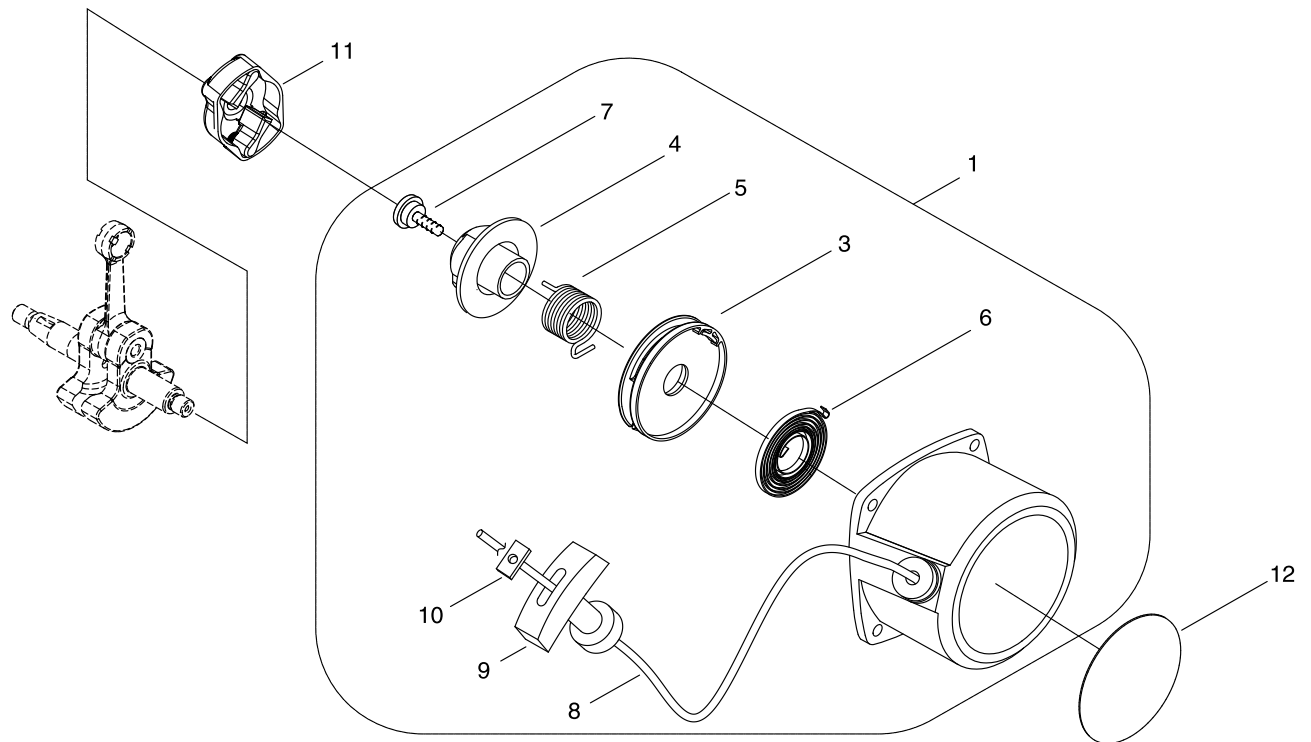
KEY	LV	PART NUMBER	Q'TY	DESCRIPTION	REMARKS	NOTE1	NOTE2
1		A056-000450	1	CLUTCH SHOE ASSY			
2	+	A552-000120	1	CLUTCH BOSS			
3	+	A555-000130	4	CLUTCH SHOE			
4	+	A566-000150	4	SPRING			
5	+	A551-000120	1	PLATE			
6	+	A557-000120	2	CLUTCH BOLT			
7	+	V203-000880	2	SCREW FLAT			

6. MAGNETO



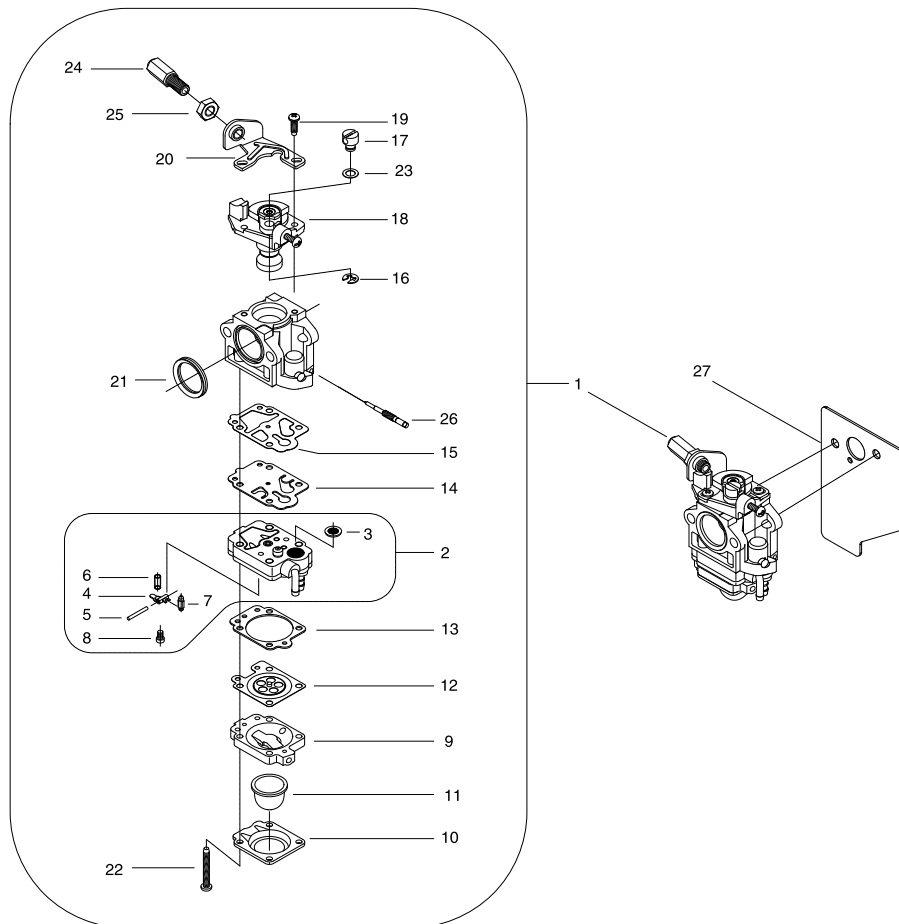
KEY	LV	PART NUMBER	Q'TY	DESCRIPTION	REMARKS	NOTE1	NOTE2
1		A409-000610	1	ROTOR			
2		93115-03010	1	KEY	3*10		
3		V265-000140	1	NUT			
4		A411-000740	1	COIL			
5		V322-000040	2	INSULATOR			
6		V485-001370	1	LEAD WIRE			
7		A426-000050	1	SPRING SPARK PLUG			
8		V202-000210	2	BOLT ADHESIVE			
9		159010-12530	1	PLUG, SPARK (BPMR-6A)	BPMR-6A		
10		A427-000060	1	CAP, SPARK PLUG			
11		A429-000090	1	COVER, CAP			
12		V475-006560	1	TUBE			

7. RECOIL STARTER



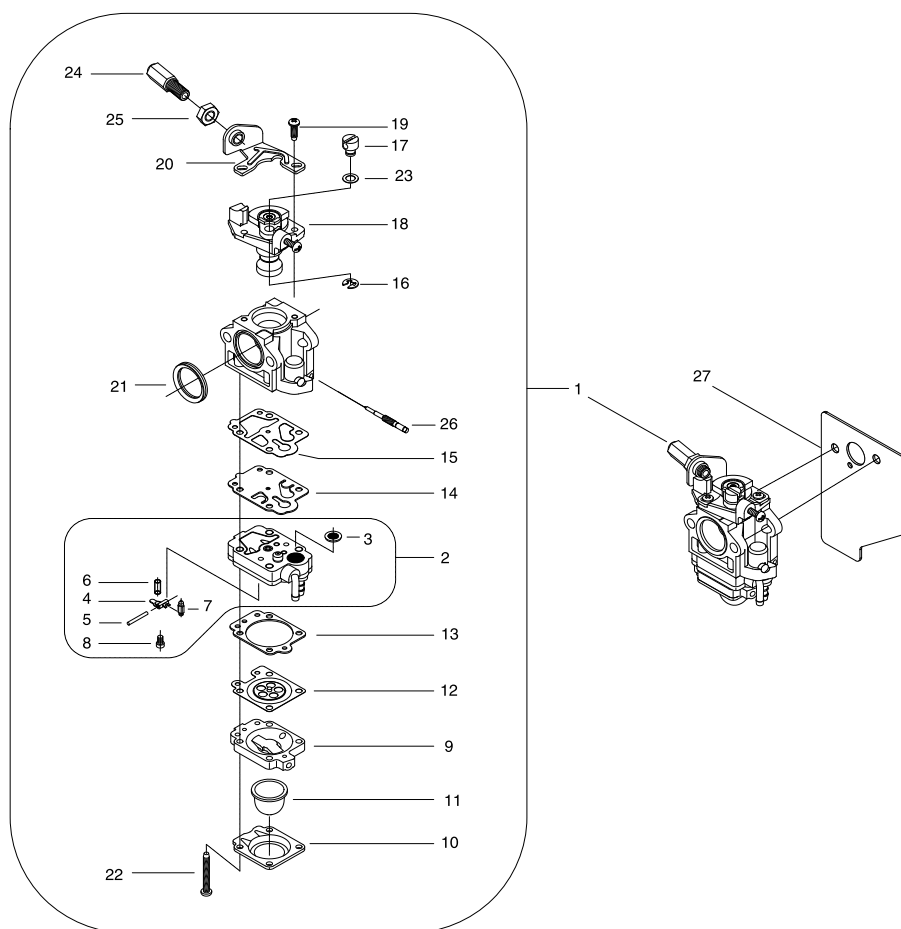
KEY	LV	PART NUMBER	Q'TY	DESCRIPTION	REMARKS	NOTE1	NOTE2
1		A051-001690	1	RECOIL STARTER ASSY			
3	+	A506-000240	1	REEL			
4	+	C533-000080	1	CAM			
5	+	V450-000910	1	COIL SPRING			
6	+	A504-000060	1	RECOIL SPRING			
7	+	V253-000310	1	SCREW			
8	+	A509-000440	1	ROPE			
9	+	A511-000160	1	STARTER KNOB			
10	+	177246-11120	1	CLIP, STARTER ROPE			
11		A052-000360	1	STARTER PULLEY ASSY			
12		X504-006260	1	LABEL, BRAND			

8. CARBURETOR

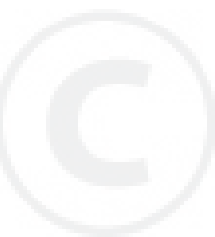


KEY	LV	PART NUMBER	Q'TY	DESCRIPTION	REMARKS	NOTE1	NOTE2
1		A021-002350	1	CARBURETOR ASSY			
2	+	P003-000440	1	BODY ASY, PUMP			
3	++	123126-10631	1	SCREEN, INLET			
4	++	123123-38330	1	LEVER, METERING			
5	++	123138-03930	1	PIN, METERING LEVER			
6	++	P003-000450	1	SPRING, METER. LEVER			
7	++	123137-19830	1	VALVE, INLET NEEDLE			
8	++	123139-05560	1	SCREW, M. LEVER PIN			
9	+	123180-05560	1	BODY, AIR PURGE			
10	+	123142-05560	1	COVER, PRIMER PUMP			
11	+	123181-40630	1	PUMP, PRIMER			
12	+	P003-001850	1	DIAPHRAGM, METERING			
13	+	123140-05560	1	GASKET, M. DIAPHRAGM			
14	+	123112-40630	1	DIAPHRAGM, PUMP			
15	+	123125-40630	1	GASKET, PUMP			
16	+	123173-07930	1	CLIP			
17	+	123172-45130	1	SWIVEL			
18	+	P003-004130	1	VALVE, THROTTLE			
19	+	123114-40630	2	SCREW			
20	+	123128-54230	1	BRACKET, IDLE ADJUST			
21	+	123143-12110	1	RING, PACKING			
22	+	123110-05560	4	SCREW, PUMP COVER			
23	+	123149-54230	1	WASHER			
24	+	P003-002630	1	CABLE ADJUSTER			
25	+	123153-56430	1	NUT, ADJUSTER			
26	+	P003-004350	1	NEEDLE			

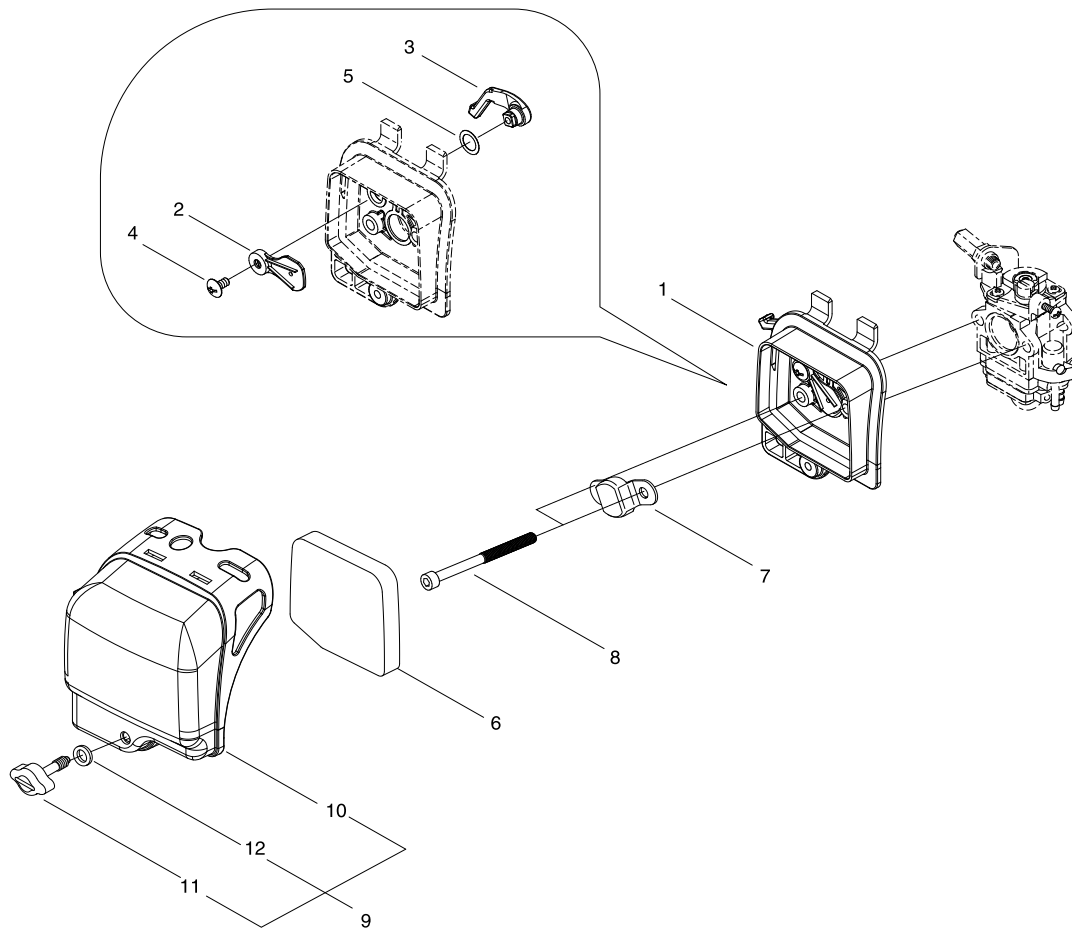
8. CARBURETOR



KEY	LV	PART NUMBER	Q'TY	DESCRIPTION	REMARKS	NOTE1	NOTE2
27		V103-000920	1	GASKET			

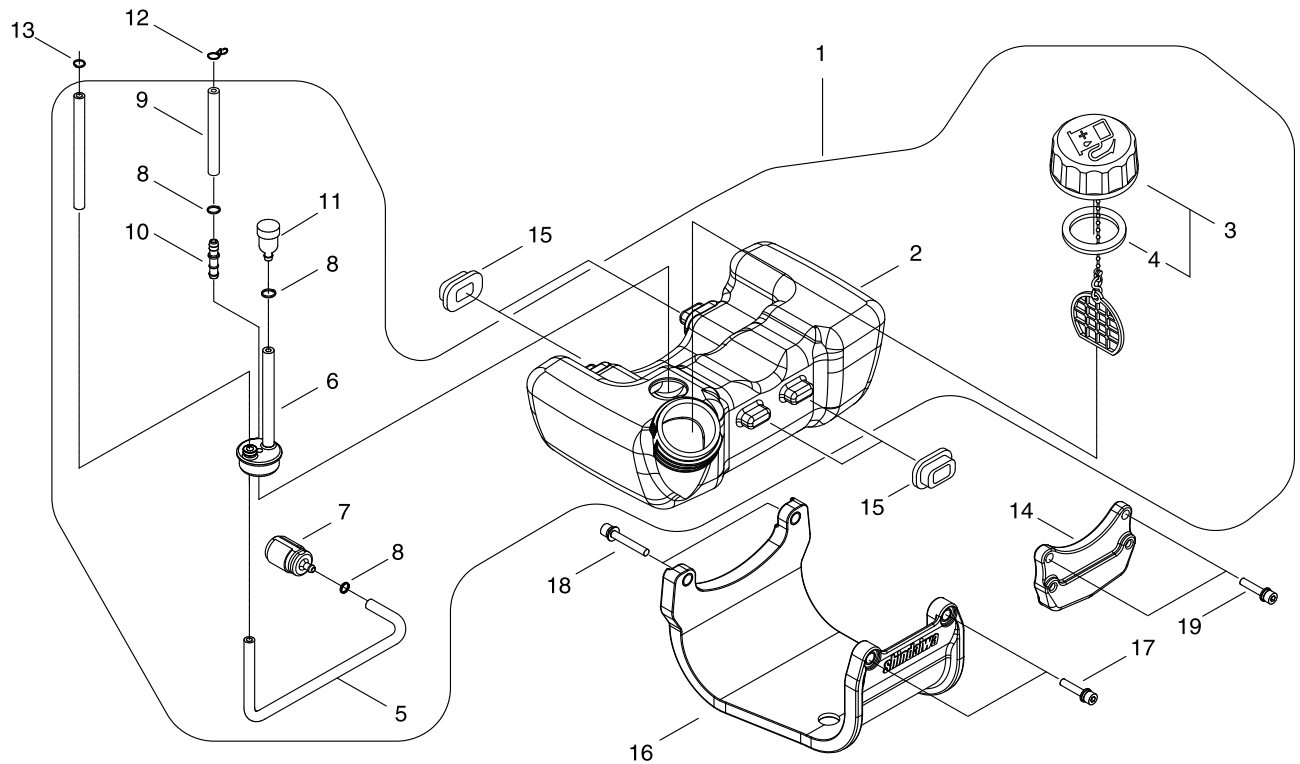


9. AIR CLEANER



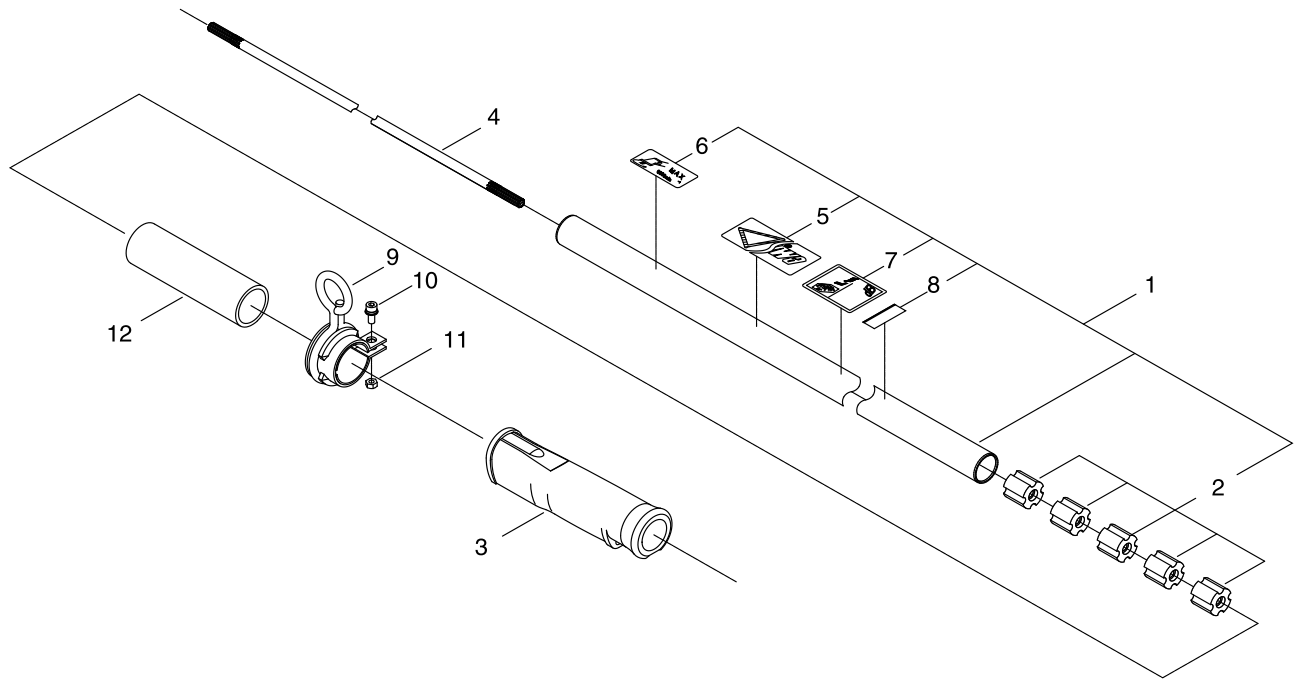
KEY	LV	PART NUMBER	Q'TY	DESCRIPTION	REMARKS	NOTE1	NOTE2
1		A023-000020	1	CLEANER BODY ASSY			
2	+	A243-000170	1	CHOKE PLATE			
3	+	A242-000140	1	CHOKE LEVER			
4	+	91439-04012	1	SCREW, TRUSS, T			
5	+	V346-000050	1	WASHER, WAVE			
6		A226-000570	1	FILTER			
7		A244-000120	1	BACK PLATE			
8		91109-05060	2	BOLT	CB-5*60		
9		A232-000640	1	CLEANER COVER ASSY			
10	+	A232-000630	1	CLEANER COVER			
11	+	V299-000340	1	KNOB			
12	+	V323-000080	1	COLLAR			

10. FUEL TANK



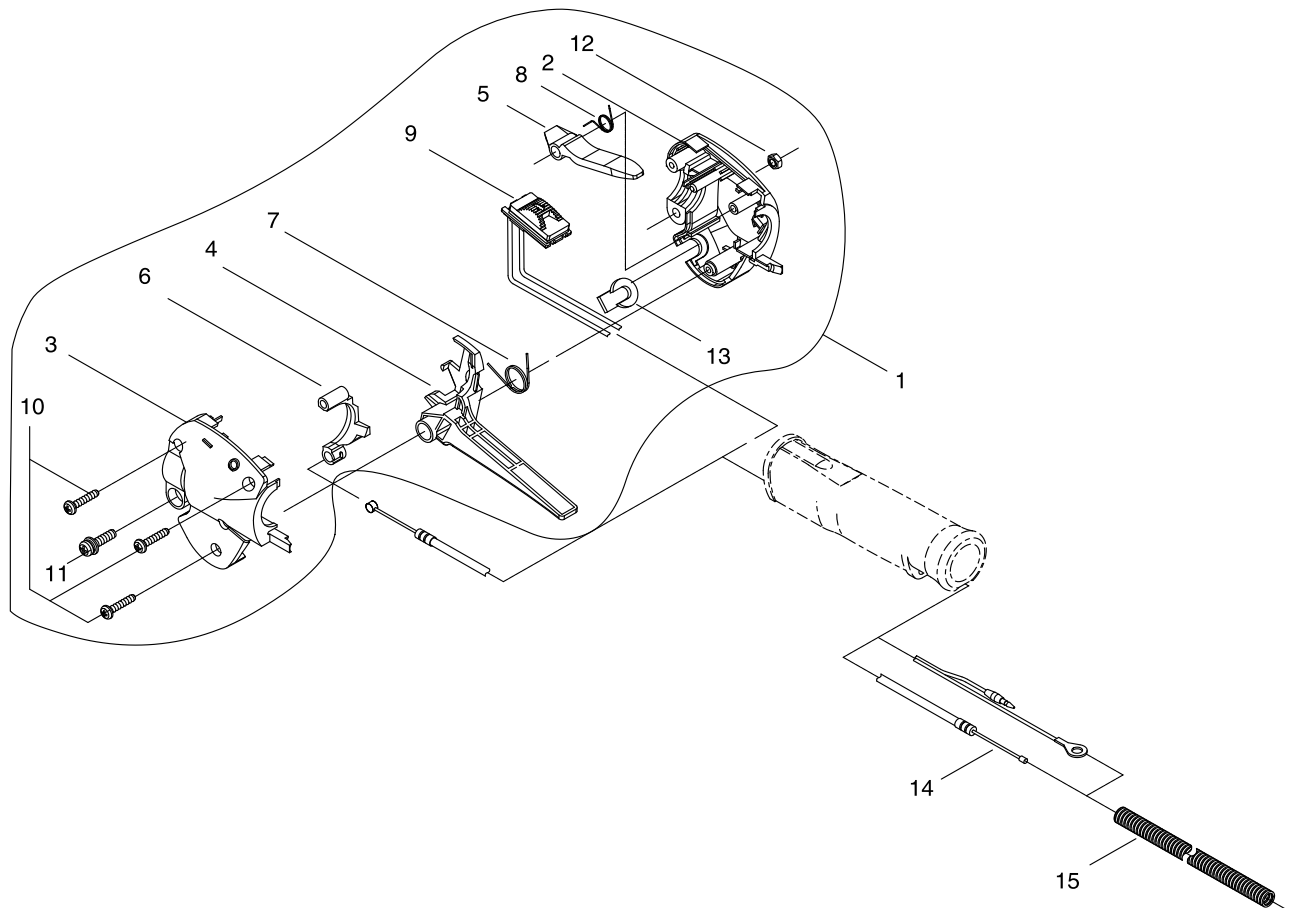
KEY	LV	PART NUMBER	Q'TY	DESCRIPTION	REMARKS	NOTE1	NOTE2
1		A038-000520	1	TANK,ASM FUEL			
2	+	A350-001890	1	TANK,FUEL			
3	+	A033-000020	1	FUEL CAP ASSY			
4	++	V107-000010	1	GASKET			
5	+	V471-002480	1	FUEL PIPE			
6	+	V470-000890	1	GROMMET			
7	+	131205-19831	1	STRAINER, FUEL			
8	+	V490-000500	3	CLIP			
9	+	V471-002580	1	PIPE			
10	+	V186-000210	1	JOINT			
11	+	A356-000040	1	VALVE,CHECK			
12		V490-000510	1	CLIP			
13		V490-000500	1	CLIP			
14		A393-000170	1	TANK BRACKET			
15		V420-002220	4	TANK CUSHION			
16		A175-000170	1	TANK GUARD			
17		V203-000350	2	BOLT SPW			
18		V203-000520	2	BOLT SW			
19		V203-000760	2	BOLT ADHESIVE			

11. MAIN PIPE



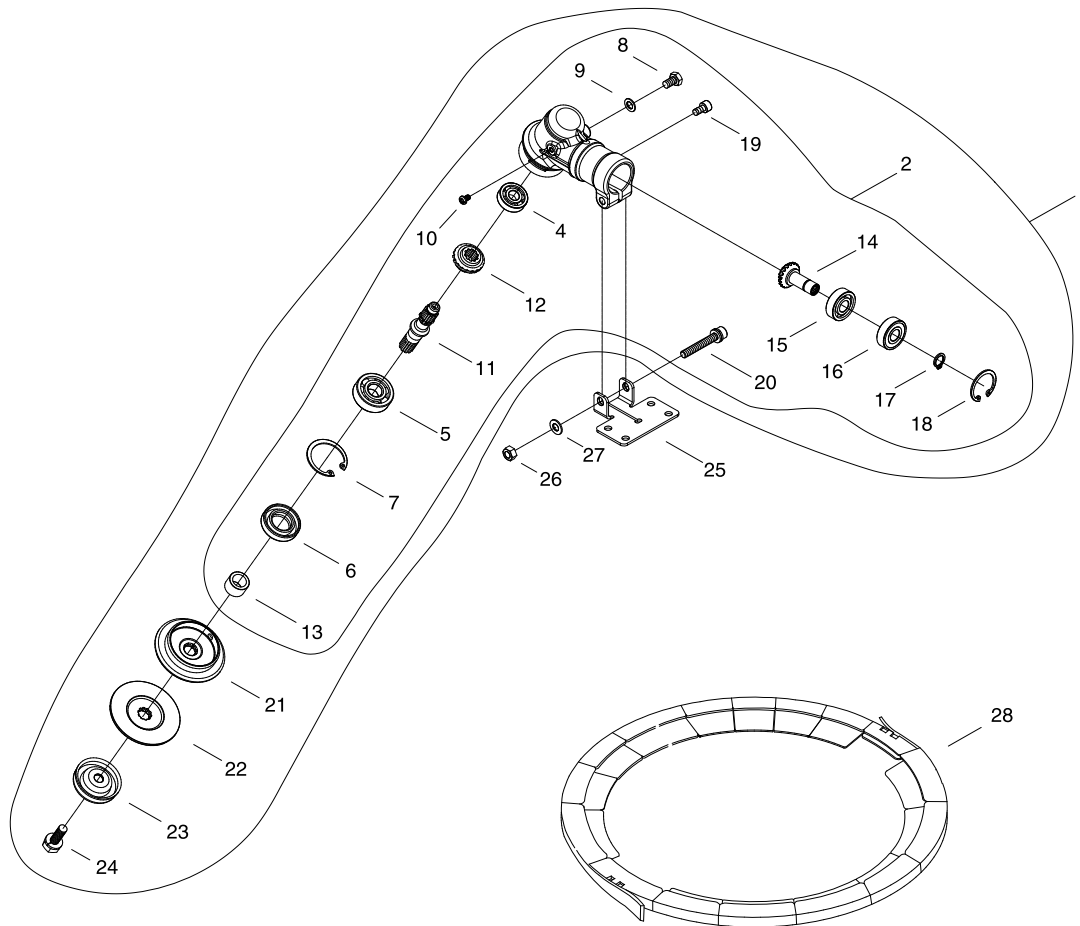
KEY	LV	PART NUMBER	Q'TY	DESCRIPTION	REMARKS	NOTE1	NOTE2
1		P021-036860	1	MAIN PIPE ASY			
2	+	C501-000050	5	BUSH			
5	+	X505-002910	1	LABEL CAUTION			
6	+	X505-002900	1	LABEL CAUTION			
7	+	X508-000250	1	LABEL DECIBEL			
8	+	X524-002380	1	HANDLE LABEL			
3		C412-000380	1	GRIP			
4		C504-000650	1	MAIN SHAFT SUB ASSY			
9		C063-000010	1	HANGER			
10		V203-000700	1	BOLT SPW			
11		900500-00005	1	NUT 5	5		
12		V364-000050	1	PROTECTOR			

12. THROTTLE LEVER



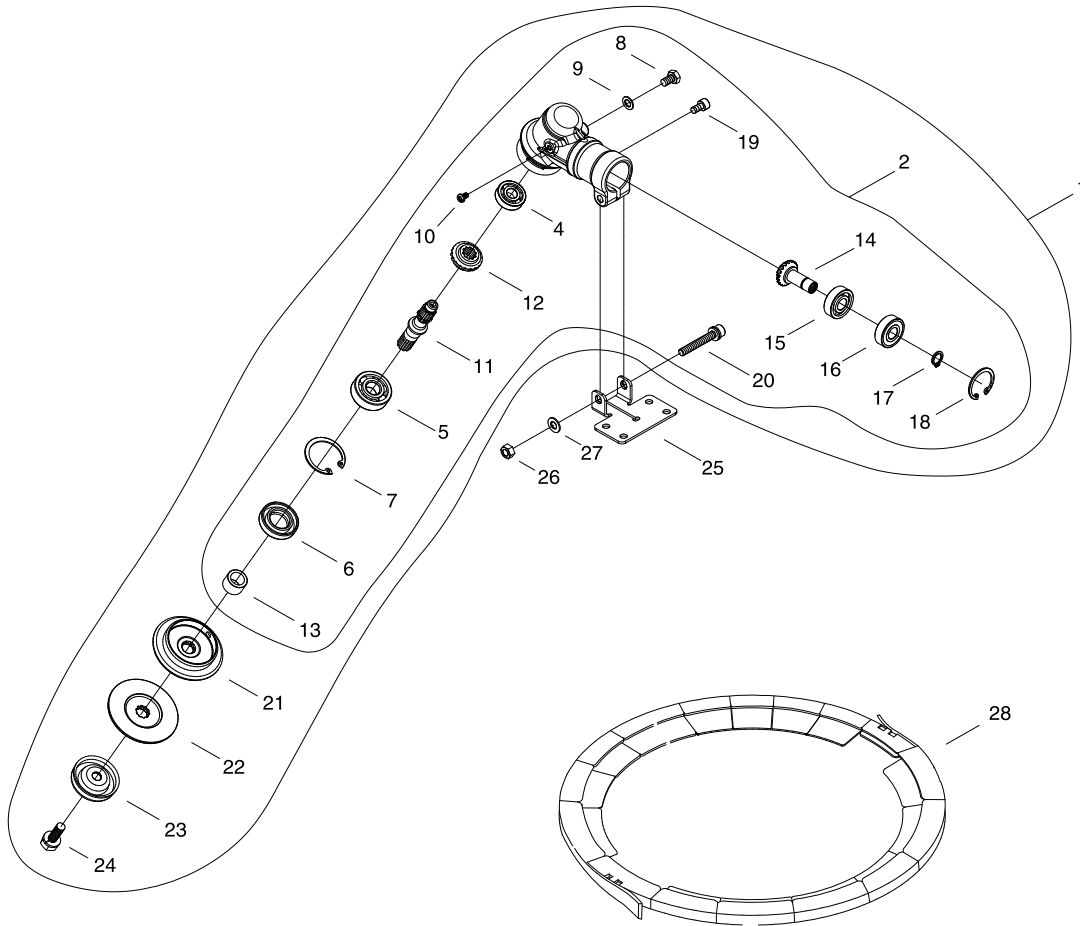
KEY	LV	PART NUMBER	Q'TY	DESCRIPTION	REMARKS	NOTE1	NOTE2
1		C044-000720	1	THROTTLE LEVER ASSY			
2	+	C401-000240	1	BODY RIGHT			
3	+	C401-000190	1	BODY LEFT			
4	+	C450-000480	1	LEVER			
5	+	C460-000190	1	LOCK LEVER			
6	+	C461-000020	1	HOLDER			
7	+	V452-000700	1	COIL SPRING			
8	+	V452-000500	1	COIL SPRING			
9	+	A440-001390	1	SWITCH			
10	+	V252-000380	3	SCREW TAPPING			
11	+	91575-05020	1	SCREW PM SPW			
12	+	92017-05000	1	NUT	M5		
13	+	V162-000350	1	PLUG			
14		V430-002590	1	THROTTLE CABLE			
15		V475-004470	1	TUBE			

13. GEAR CASE

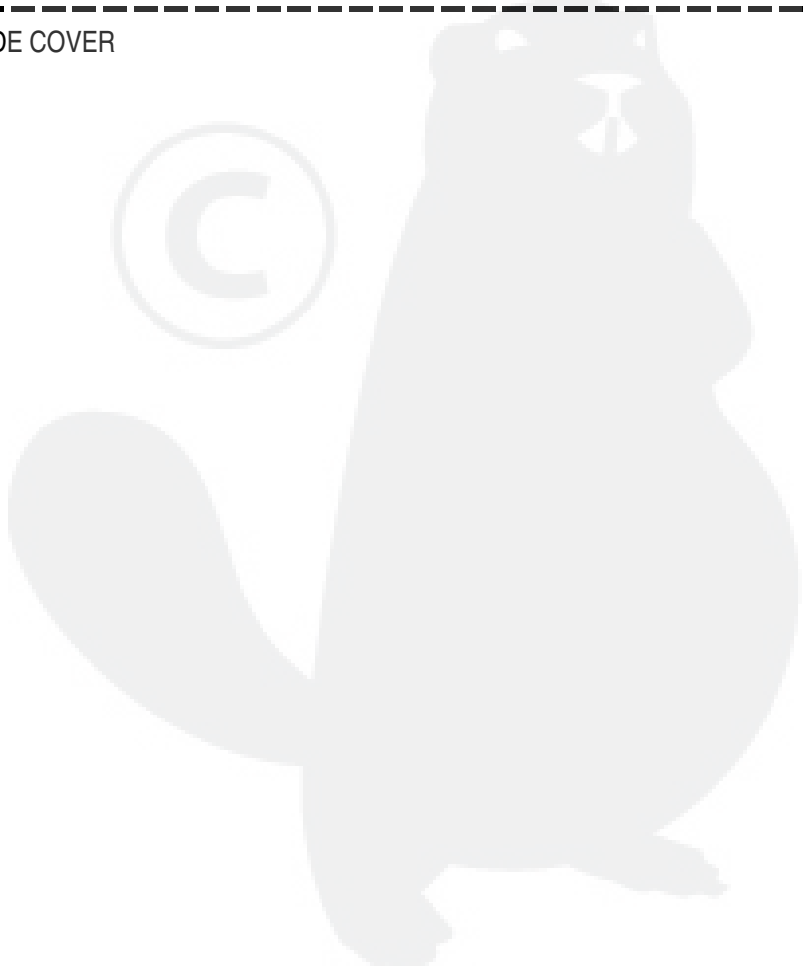
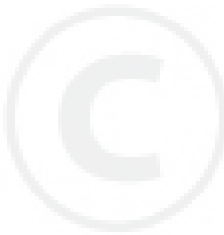


KEY	LV	PART NUMBER	Q'TY	DESCRIPTION	REMARKS	NOTE1	NOTE2
1		P021-027350	1	GEAR CASE ASSY			
2	+	P021-027300	1	GEAR CASE SUBASSY			
4	++	900800-00609	1	BEARING, BALL 609	609		
5	++	900810-06201	1	BEARING, BALL 6201	6201		
6	++	V510-000000	1	OIL SEAL			
7	++	92424-32000	1	SNAP RING			
8	++	91030-06010	1	BOLT			
9	++	900600-00006	1	WASHER 6	6		
10	++	91578-04006	1	SCREW			
11	++	C534-000580	1	GEAR SHAFT			
12	++	V651-000480	1	BEVEL GEAR			
13	++	V356-000500	1	COLLAR			
14	++	V651-000490	1	BEVEL PINION			
15	++	900800-06000	1	BEARING, BALL 6000	6000		
16	++	900804-06000	1	BEARING, BALL	6000ZZ		
17	++	92423-10000	1	SNAP RING			
18	++	92424-26000	1	SNAP RING			
19	++	900105-05010	1	BOLT, H.S. 5*10	5*10		
20	++	V204-000450	1	BOLT SPW			
21	+	C535-000710	1	HOLDER			
22	+	C535-000720	1	HOLDER			
23	+	C535-000730	1	BOLT GUARD			
24	+	V205-000940	1	BOLT,8	M8*22		
25		C551-000050	1	LOWER CLAMP			
26		900500-00006	1	NUT 6	6		
27		900603-00006	1	WASHER 6	6.5*13*1		

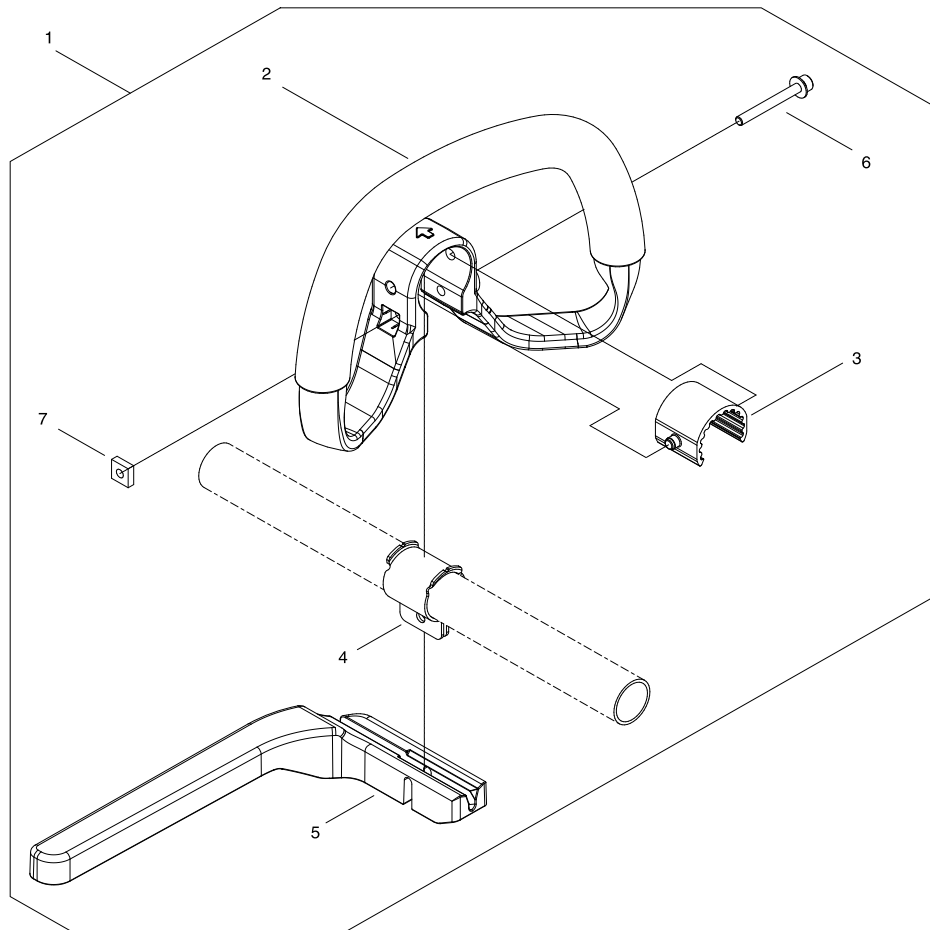
13. GEAR CASE



KEY	LV	PART NUMBER	Q'TY	DESCRIPTION	REMARKS	NOTE1	NOTE2
28		P021-034750	1	BLADE COVER			

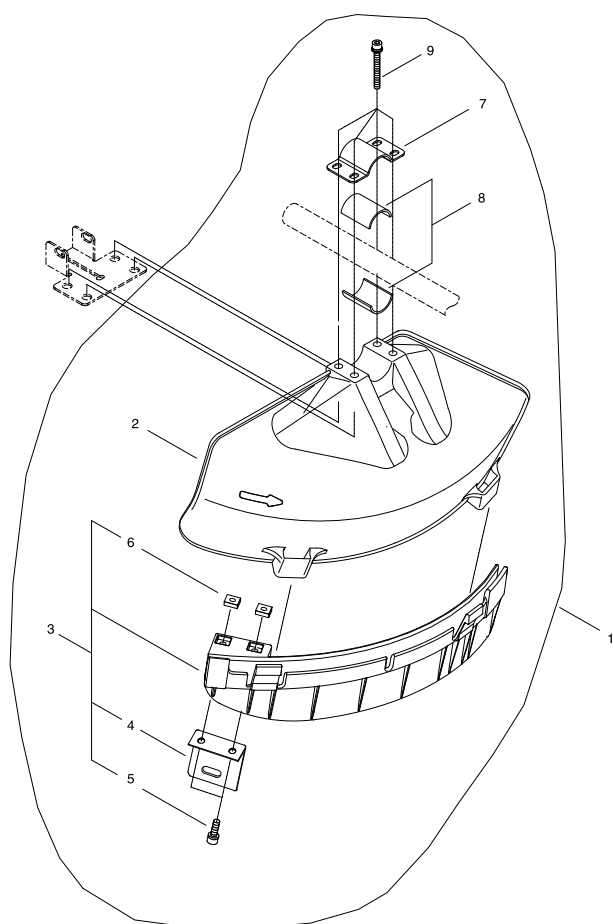


14. HANDLE



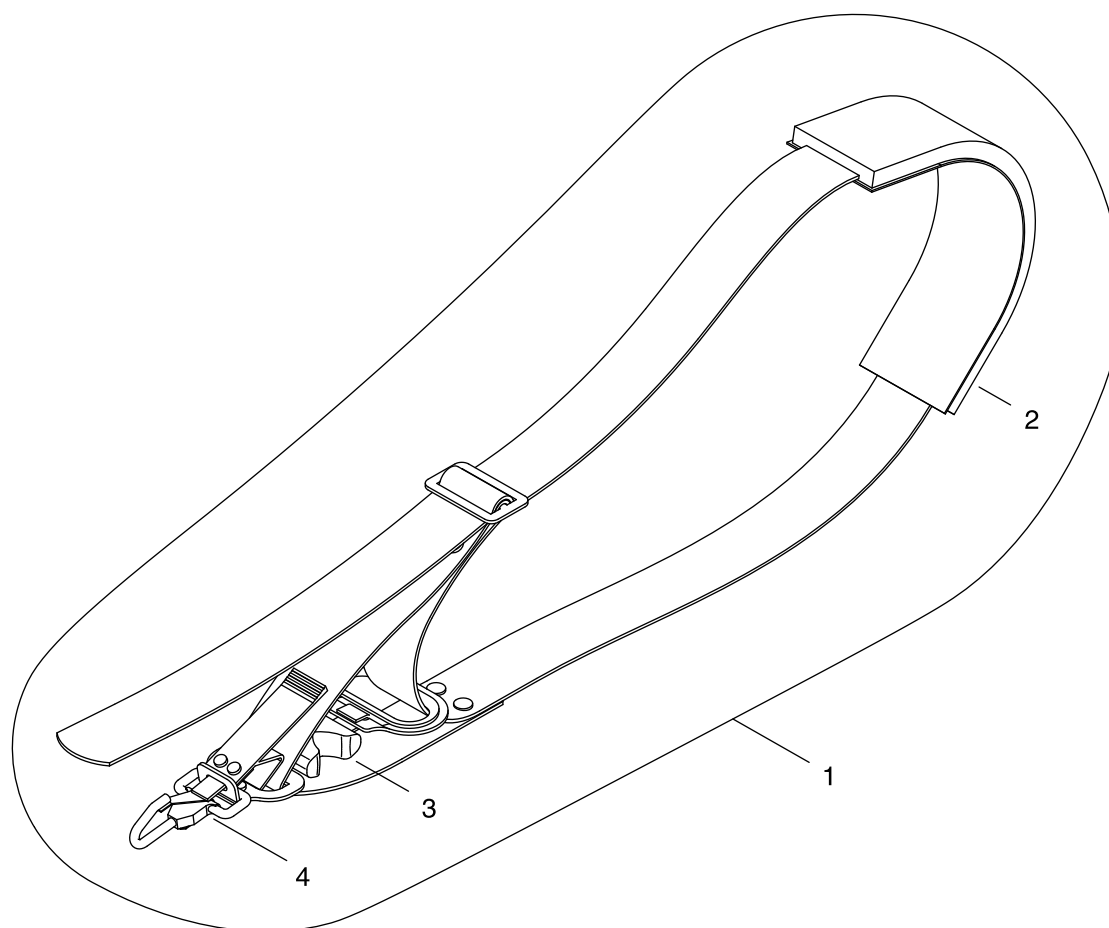
KEY	LV	PART NUMBER	Q'TY	DESCRIPTION	REMARKS	NOTE1	NOTE2
1		P021-035370	1	HANDLE SET			
2	+	C400-001020	1	HANDLE,FRONT			
3	+	V420-002370	1	CUSHION			
4	+	C423-000590	1	CLAMP			
5	+	C405-000420	1	BARRIER			
6	+	V203-000770	1	BOLT-SLPW			
7	+	V263-000130	1	NUT			

15. SHIELD



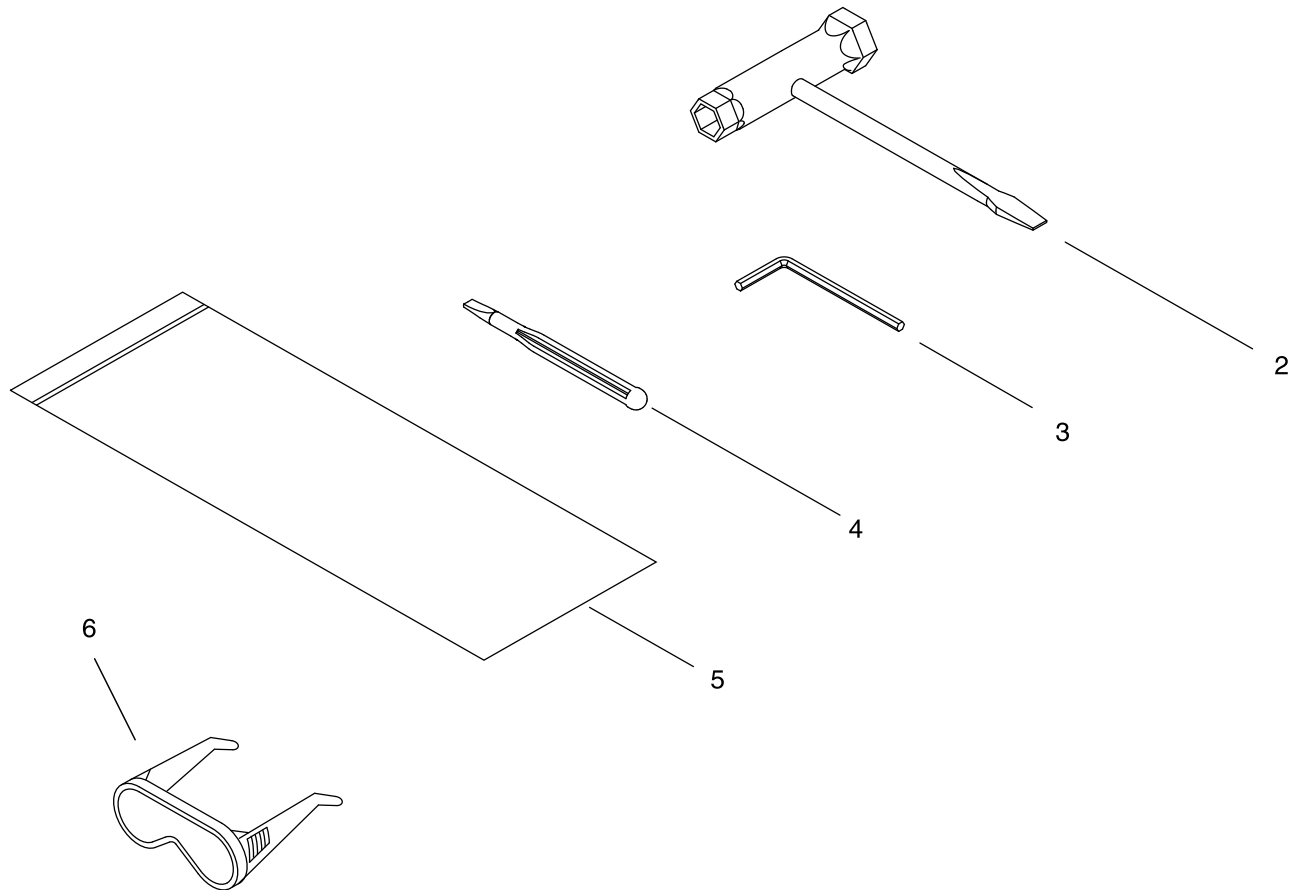
KEY	LV	PART NUMBER	Q'TY	DESCRIPTION	REMARKS	NOTE1	NOTE2
1		P021-028900	1	GUARD SET			
2	+	C550-000430	1	GUARD			
3	+	P021-028450	1	SUB GUARD ASSY			
4	++	C554-000040	1	CUTTER			
5	++	V203-000720	2	BOLT SW			
6	++	V263-000130	2	NUT			
7	+	C551-000060	1	UPPER CLAMP			
8	+	V363-000160	2	SPACER			
9	+	V203-000610	4	BOLT SPW			

16. HARNESS



KEY	LV	PART NUMBER	Q'TY	DESCRIPTION	REMARKS	NOTE1	NOTE2
1		C062-000330	1	STRAP ASSY			
2	+	C644-000080	1	PROTECTOR			
3	+	C645-000010	1	CUSHION HARNESS			
4	+	C649-000150	1	HOOK			

17. TOOLS



KEY	LV	PART NUMBER	Q'TY	DESCRIPTION	REMARKS	NOTE1	NOTE2
2		X602-000120	1	TOOL,WRENCH	19-13		
3		X605-000100	1	TOOL,L WRENCH	4MM M5		
4		X626-000000	1	SCRAPER			
5		X705-000100	1	BAG,PACKING	140*200*T0.08		
6		X690-000030	1	GOGGLE			

Index

Patrs Number	Key No.	Patrs Number	Key No.	Patrs Number	Key No.
123110-05560	8 - 22	A010-000030	4 - 1	C400-001020	14 - 2
123112-40630	8 - 14	A011-000800	4 - 7	C401-000190	12 - 3
123114-40630	8 - 19	A021-002350	8 - 1	C401-000240	12 - 2
123123-38330	8 - 4	A023-000020	9 - 1	C405-000420	14 - 5
123125-40630	8 - 15	A030-000211	2 - 1	C412-000380	11 - 3
123126-10631	8 - 3	A033-000020	10 - 3	C423-000590	14 - 4
123128-54230	8 - 20	A038-000520	10 - 1	C450-000480	12 - 4
123137-19830	8 - 7	A051-001690	7 - 1	C460-000190	12 - 5
123138-03930	8 - 5	A052-000360	7 - 11	C461-000020	12 - 6
123139-05560	8 - 8	A056-000450	5 - 1	C501-000050	11 - 2
123140-05560	8 - 13	A101-000340	4 - 2	C504-000650	11 - 4
123142-05560	8 - 10	A130-001280	1 - 1	C533-000080	7 - 4
123143-12110	8 - 21	A160-001550	3 - 16	C534-000580	13 - 11
123149-54230	8 - 23	A175-000170	10 - 16	C535-000710	13 - 21
123153-56430	8 - 25	A200-000620	1 - 4	C535-000720	13 - 22
123172-45130	8 - 17	A226-000570	9 - 6	C535-000730	13 - 23
123173-07930	8 - 16	A232-000630	9 - 10	C550-000430	15 - 2
123180-05560	8 - 9	A232-000640	9 - 9	C551-000050	13 - 25
123181-40630	8 - 11	A242-000140	9 - 3	C551-000060	15 - 7
131205-19831	10 - 7	A243-000170	9 - 2	C554-000040	15 - 4
159010-12530	6 - 9	A244-000120	9 - 7	C644-000080	16 - 2
177246-11120	7 - 10	A310-000170	2 - 4	C645-000010	16 - 3
900105-05010	13 - 19	A313-001230	2 - 3	C649-000150	16 - 4
900105-05012	2 - 10	A313-001281	2 - 2	P003-000440	8 - 2
900105-05016	1 - 3	A320-000691	3 - 17	P003-000450	8 - 6
900105-05025	3 - 8	A350-001890	10 - 2	P003-001850	8 - 12
900283-04008	2 - 6	A356-000040	10 - 11	P003-002630	8 - 24
900500-00005	11 - 11	A393-000170	10 - 14	P003-004130	8 - 18
900500-00006	13 - 26	A409-000610	6 - 1	P003-004350	8 - 26
900600-00006	13 - 9	A411-000740	6 - 4	P021-027300	13 - 2
900603-00006	13 - 27	A426-000050	6 - 7	P021-027350	13 - 1
900604-00005	2 - 9	A427-000060	6 - 10	P021-028130	3 - 1
900800-00609	13 - 4	A429-000090	6 - 11	P021-028140	3 - 4
900800-06000	13 - 15	A440-001390	12 - 9	P021-028450	15 - 3
900804-06000	13 - 16	A504-000060	7 - 6	P021-028900	15 - 1
900810-06201	13 - 5	A506-000240	7 - 3	P021-034750	13 - 28
91030-06010	13 - 8	A509-000440	7 - 8	P021-035370	14 - 1
91109-05055	2 - 8	A511-000160	7 - 9	P021-036850	3 - 9
91109-05060	9 - 8	A551-000120	5 - 5	P021-036860	11 - 1
91439-04012	9 - 4	A552-000120	5 - 2	V100-000440	1 - 2
91575-05020	12 - 11	A555-000130	5 - 3	V103-000660	1 - 5
91578-04006	13 - 10	A556-000790	3 - 13	V103-000920	8 - 27
92017-05000	12 - 12	A557-000120	5 - 6	V104-001270	2 - 5
92423-10000	13 - 17	A566-000150	5 - 4	V104-001280	2 - 7
92424-26000	13 - 18	A575-000270	3 - 19	V107-000010	10 - 4
92424-28000	3 - 12	A575-000490	3 - 22	V162-000350	12 - 13
92424-32000	13 - 7	C044-000720	12 - 1	V186-000210	10 - 10
93115-03010	6 - 2	C062-000330	16 - 1	V202-000210	6 - 8
94002-36001	3 - 11	C063-000010	11 - 9	V203-000350	3 - 15

Index

Patrs Number	Key No.	Patrs Number	Key No.	Patrs Number	Key No.
V203-000350	10 - 17	V583-000170	3 - 14		
V203-000520	10 - 18	V592-000330	3 - 2		
V203-000580	1 - 6	V592-000330	3 - 5		
V203-000590	3 - 23	V607-000020	4 - 3		
V203-000610	15 - 9	V622-000040	3 - 7		
V203-000700	11 - 10	V651-000480	13 - 12		
V203-000720	15 - 5	V651-000490	13 - 14		
V203-000760	3 - 18	X504-006260	7 - 12		
V203-000760	10 - 19	X504-006270	3 - 25		
V203-000770	14 - 6	X505-002900	11 - 6		
V203-000880	5 - 7	X505-002910	11 - 5		
V204-000410	3 - 24	X508-000250	11 - 7		
V204-000450	13 - 20	X524-002380	11 - 8		
V205-000940	13 - 24	X602-000120	17 - 2		
V252-000380	12 - 10	X605-000100	17 - 3		
V253-000310	7 - 7	X626-000000	17 - 4		
V263-000130	14 - 7	X690-000030	17 - 6		
V263-000130	15 - 6	X705-000100	17 - 5		
V265-000140	6 - 3				
V299-000340	9 - 11				
V322-000040	6 - 5				
V323-000080	9 - 12				
V346-000050	9 - 5				
V356-000500	13 - 13				
V363-000160	15 - 8				
V364-000050	11 - 12				
V392-000020	4 - 6				
V420-002220	10 - 15				
V420-002370	14 - 3				
V423-000040	3 - 20				
V423-000050	3 - 21				
V430-002590	12 - 14				
V450-000910	7 - 5				
V452-000500	12 - 8				
V452-000700	12 - 7				
V470-000890	10 - 6				
V471-002480	10 - 5				
V471-002580	10 - 9				
V475-004470	12 - 15				
V475-006560	6 - 12				
V485-001370	6 - 6				
V490-000500	10 - 8				
V490-000500	10 - 13				
V490-000510	10 - 12				
V505-000090	3 - 3				
V505-000090	3 - 6				
V510-000000	13 - 6				
V554-000010	4 - 5				
V580-000090	4 - 4				

YAMABIKO CORPORATION

7-2 SUEHIROCHO 1-CHOME, OHME, TOKYO 198-8760, JAPAN
PHONE: 81-428-32-6118. FAX: 81-428-32-6145.

shindaiwa[®]



11Gb
No. 03-061