

shindaiwa[®]

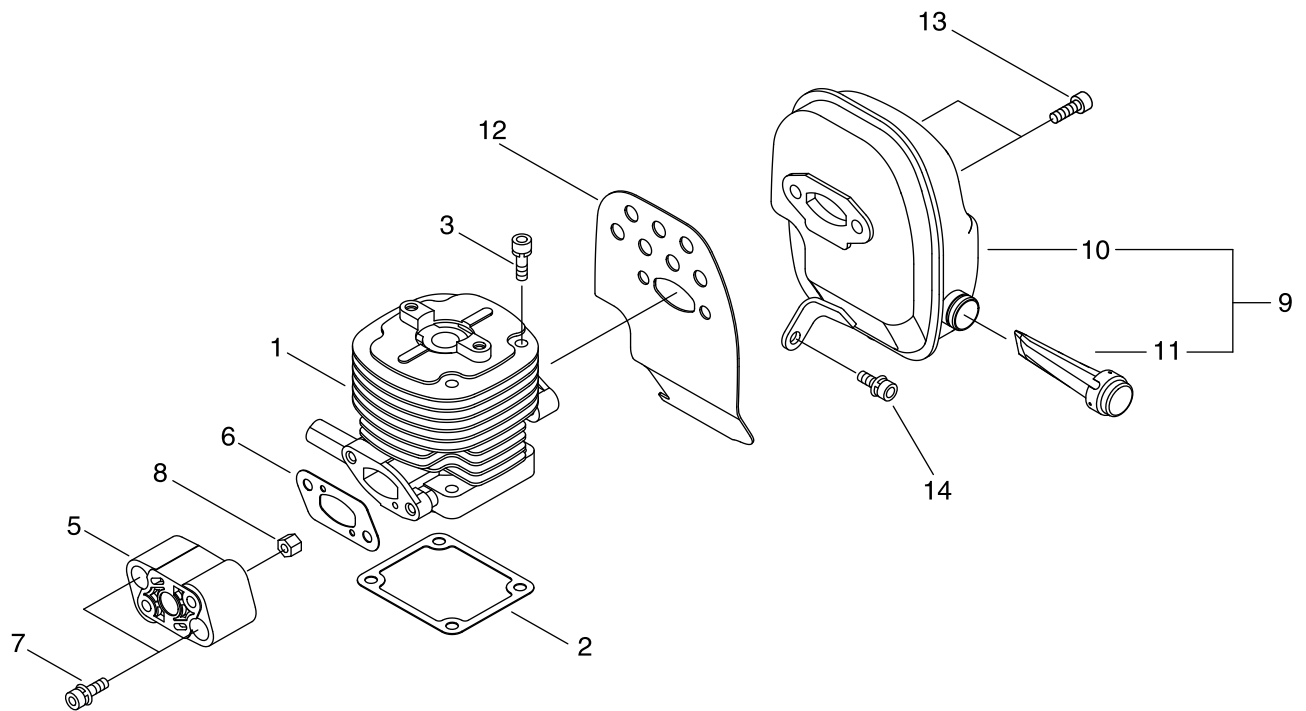
PARTS CATALOG

TRIMMER T350/Z5(36)

36000001 -

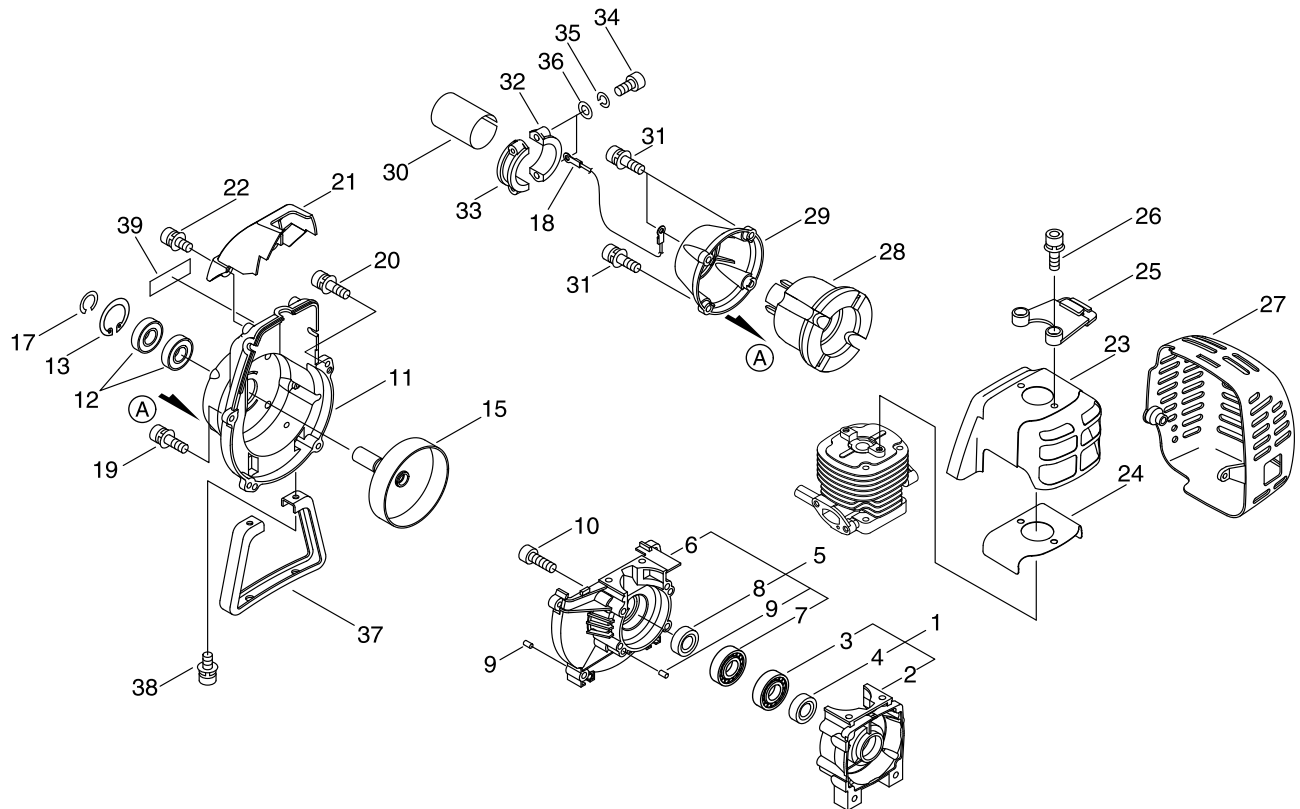
P016-001320-12Lb

1. CYLINDER, MUFFLER



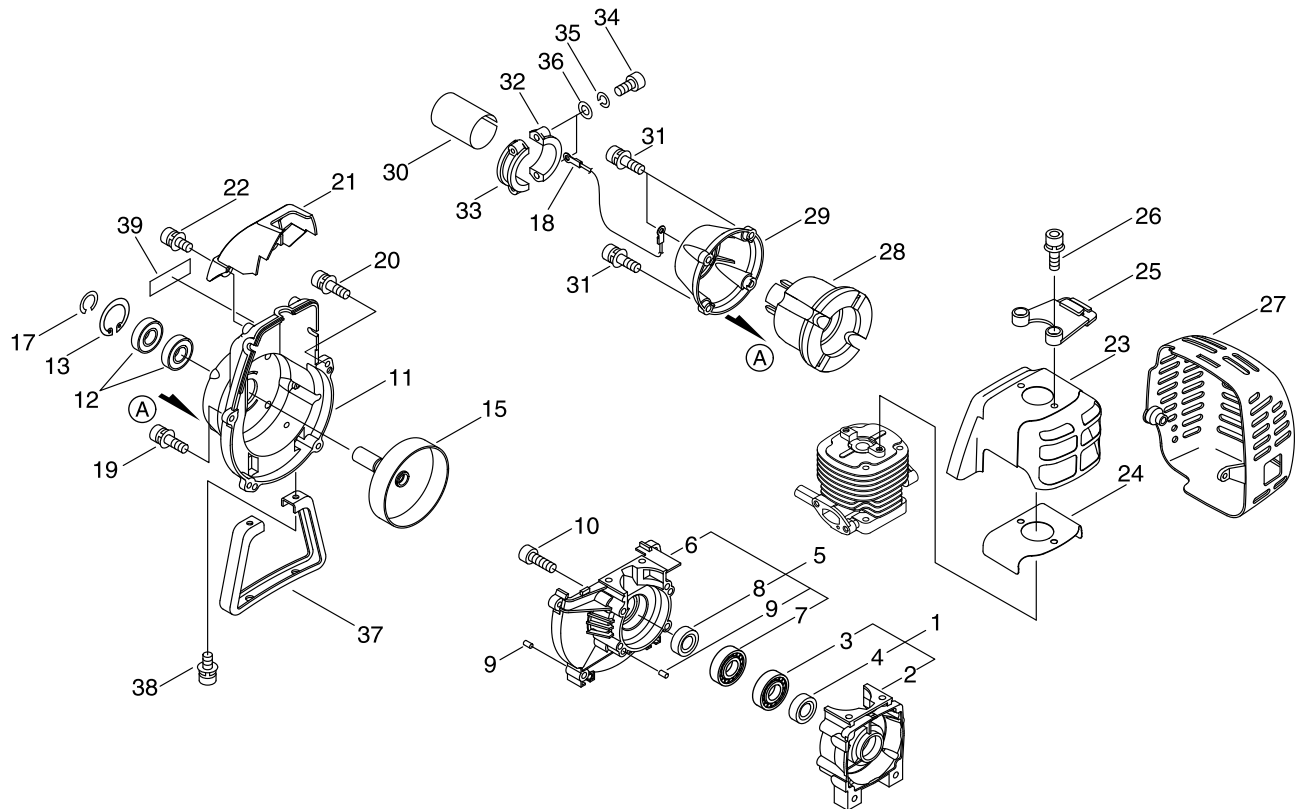
KEY	LV	PART NUMBER	Q'TY	DESCRIPTION	REMARKS	NOTE1	NOTE2
1		A130-001371	1	CYLINDER			
2		V100-000470	1	GASKET CYLINDER			
3		91122-05025	4	BOLT	CB-5*25 SW		
5		A200-000640	1	INSULATOR			
6		V103-000950	1	GASKET			
7		V203-000631	2	BOLT,5	M5X25 WSW		
8		V263-000180	2	NUT			
9		A030-000230	1	MUFFLER ASSY			
10	+	A300-001130	1	MUFFLER			
11	+	A310-000210	1	SPARK ARRESTER			
12		V104-001340	1	GASKET			
13		900105-06025	2	BOLT, H.S. 6*25	6*25		
14		V203-000820	1	BOLT SLPW			

2. CRANKCASE , FAN COVER



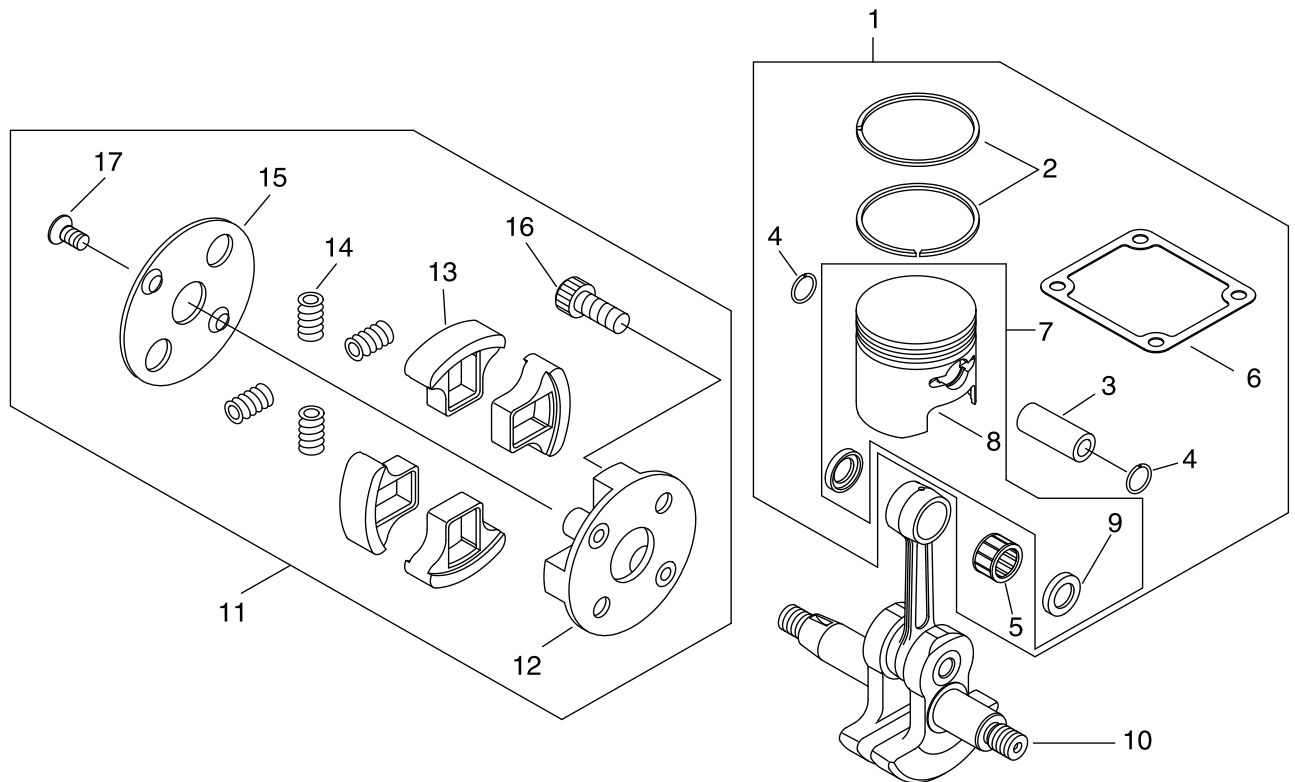
KEY	LV	PART NUMBER	Q'TY	DESCRIPTION	REMARKS	NOTE1	NOTE2
1		P021-033430	1	CRANK CASE S COMP			
2	+	A120-000080	1	CRANK CASE S			
3	+	V592-000290	1	BEARING, BALL	6202X47C3		
4	+	V508-000050	1	OIL SEAL			
5		P021-030050	1	CRANK CASE M COMP			
6	+	A120-001170	1	CRANKCASE			
7	+	V592-000290	1	BEARING, BALL	6202X47C3		
8	+	V508-000050	1	OIL SEAL			
9	+	900330-50100	4	ROLLER 5*10			
10		900105-05030	4	BOLT, H.S. 5*30	5*30		
11		A172-002310	1	COVER,FAN			
12		900802-06002	2	BEARING, BALL 6002	6002DDU(LLU)		
13		92424-32000	1	SNAP RING			
15		A556-001480	1	DRUM, CLUTCH			
17		V583-000181	1	RING			
18		V485-001640	1	EARTH CORD			
19		V203-000351	3	BOLT,5	M5X20 WSW		
20		V203-000581	1	BOLT,5	M5X30 WSW		
21		A162-000190	1	PROTECTOR COMP			
22		91113-04016	2	BOLT	M-4*16 SW,W		
23		A160-001600	1	CYLINDER COVER			
24		V101-000020	1	GASKET			
25		A163-000020	1	STAY			
26		V203-000541	2	BOLT,5	M5X18 WSW		
27		A320-000770	1	MUFFLER COVER			
28		A575-000400	1	JOINT			

2. CRANKCASE , FAN COVER



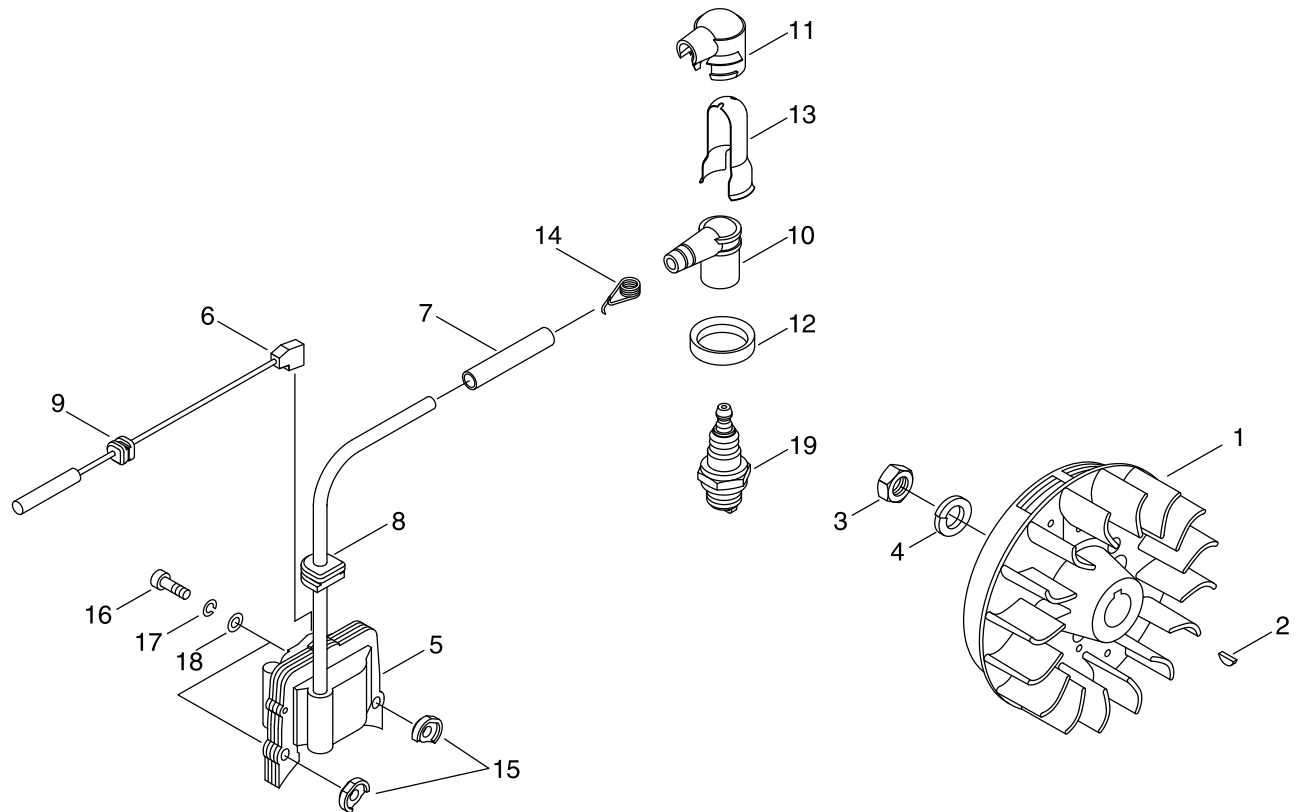
KEY	LV	PART NUMBER	Q'TY	DESCRIPTION	REMARKS	NOTE1	NOTE2
29		A575-000410	1	CAP JOINT			
30		V363-000150	1	SPACER			
31		V203-000351	4	BOLT,5	M5X20 WSW		
32		A575-000420	1	CLAMP A			
33		A575-000430	1	CLAMP B			
34		900105-05025	2	BOLT, H.S. 5*25	5*25		
35		900605-00005	2	WASHER, SPRING 5	5		
36		900600-00005	2	WASHER 5	5		
37		A175-000180	1	STAND			
38		V203-000591	2	BOLT,5	M5X16 WSW		
39		X504-007460	1	LABEL,BRAND	SHINDAIWA 350		

3. PISTON, CRANKSHAFT, CLUTCH



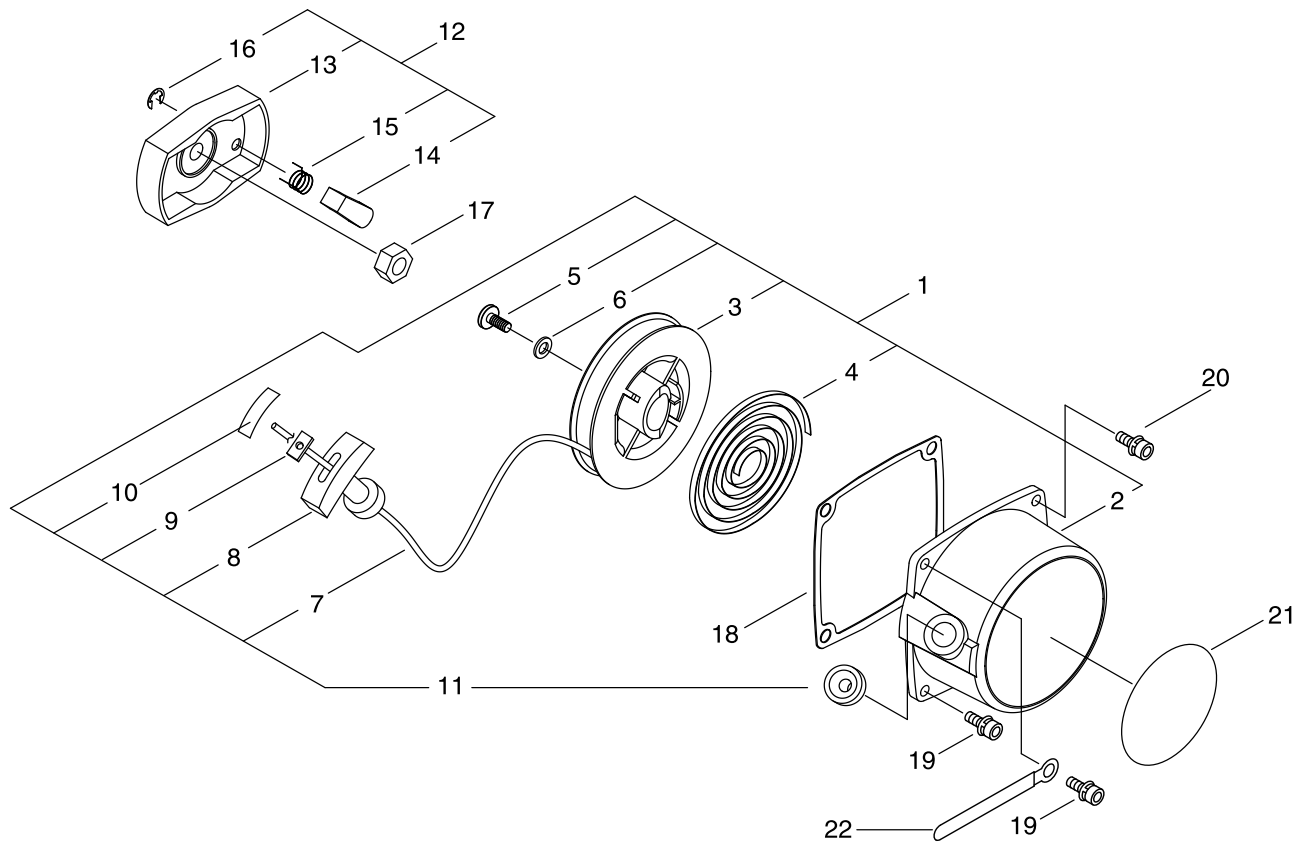
KEY	LV	PART NUMBER	Q'TY	DESCRIPTION	REMARKS	NOTE1	NOTE2
1		P021-033350	1	PISTON SET			
2	+	A101-000380	2	PISTON RING			
3	+	V608-000060	1	PISTON PIN			
4	+	V580-000110	2	SNAP RING			
5	+	V555-000090	1	NEEDLE BEARING			
6	+	V100-000470	1	GASKET CYLINDER			
7	+	P021-031570	1	PISTON SET			
8	++	A100-000700	1	PISTON			
9	++	V307-000220	2	THRUST WASHER			
10		A011-000860	1	CRANK SHAFT ASSY			
11		A056-000451	1	CLUTCH ASY			
12	+	A552-000121	1	HUB, CLUTCH			
13	+	A555-000130	4	CLUTCH SHOE			
14	+	A566-000150	4	SPRING			
15	+	A551-000120	1	PLATE			
16	+	A557-000120	2	CLUTCH BOLT			
17	+	V203-000880	2	SCREW FLAT			

4. MAGNETO



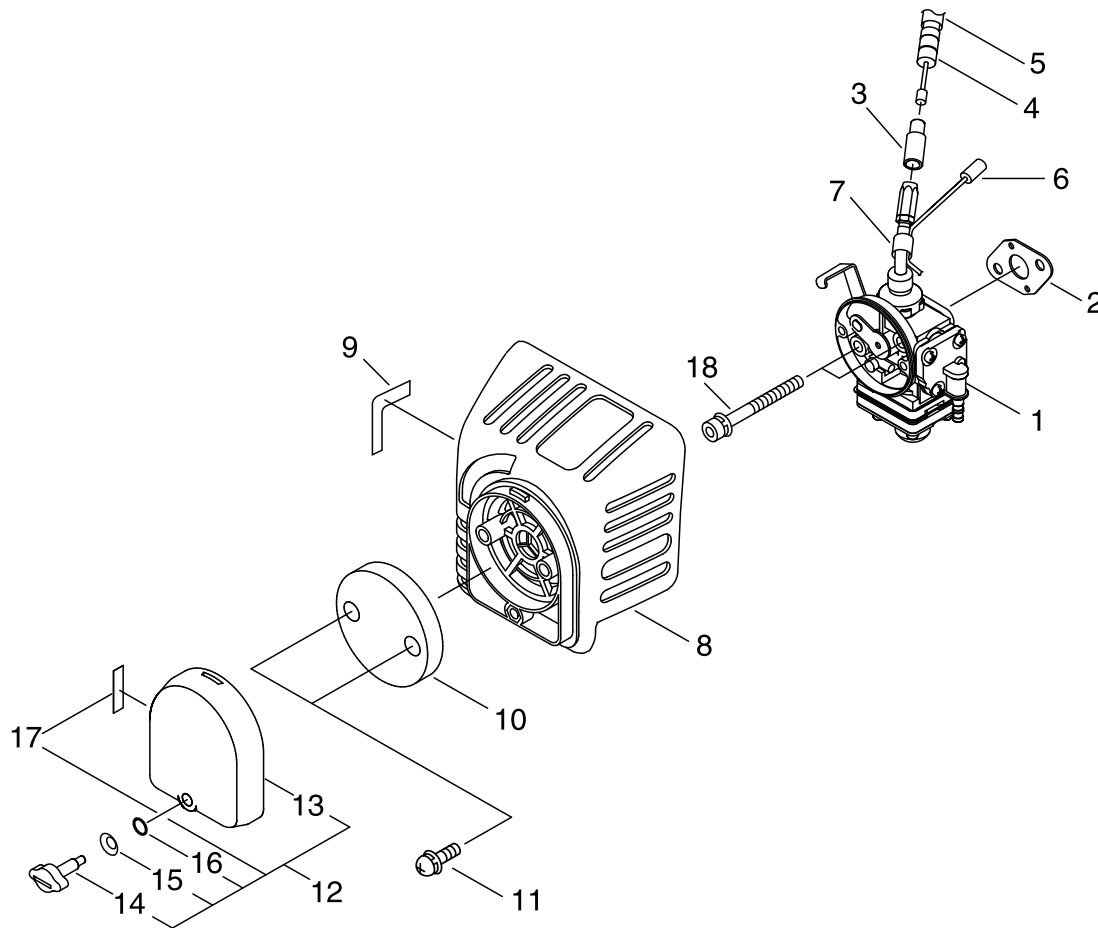
KEY	LV	PART NUMBER	Q'TY	DESCRIPTION	REMARKS	NOTE1	NOTE2
1		A409-000640	1	ROTOR			
2		93115-03010	1	KEY	3*10		
3		900503-00010	1	NUT 10 (3N *1.25)	3N10*P1.25		
4		900605-00010	1	WASHER, SPRING 10	10		
5		A411-000780	1	COIL			
6		A412-000030	1	CORD			
7		V475-004880	1	TUBE			
8		V135-000080	1	GROMMET			
9		V136-000060	1	GROMMET			
10		A427-000090	1	PLUG CAP			
11		A429-000110	1	PLUG CAP COVER			
12		V495-001440	1	COVER BAND			
13		V151-000050	1	SHIELD			
14		A426-000050	1	SPRING SPARK PLUG			
15		V352-000140	2	SPACER COIL			
16		91100-04024	2	BOLT			
17		900605-00004	2	WASHER, SPRING 4	4		
18		V302-000010	2	WASHER			
19		159010-10130	1	PLUG, SPARK (BMR-6A)	BMR-6A		

5. RECOIL STARTER



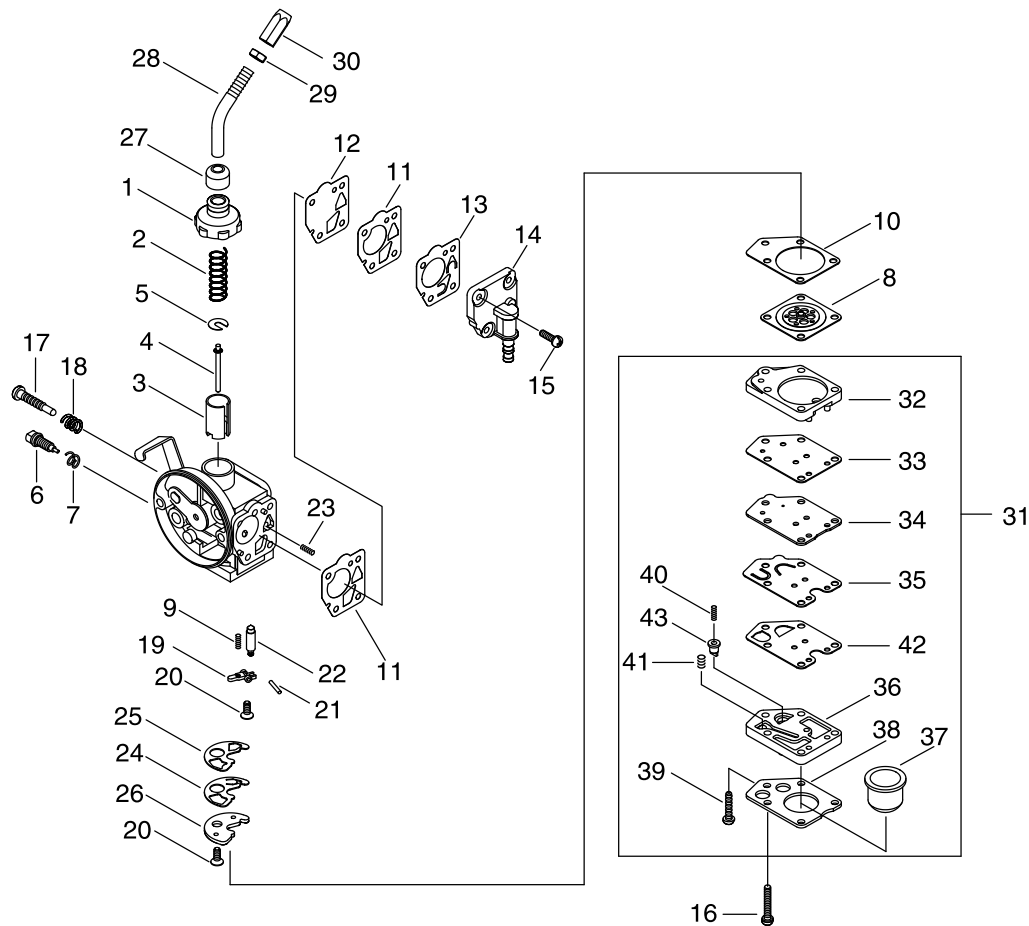
KEY	LV	PART NUMBER	Q'TY	DESCRIPTION	REMARKS	NOTE1	NOTE2
1		A051-001740	1	RECOIL STARETR			
2	+	P022-034980	1	STARTER CASE			
3	+	177215-43130	1	DRUM, STARTER			
4	+	177220-40630	1	SPRING, REWIND			
5	+	P022-025580	1	SET SCREW			
6	+	177214-41030	1	WASHER			
7	+	P022-034990	1	ROPE			
8	+	177228-27030	1	GRIP, STARTER			
9	+	177246-11120	1	CLIP, STARTER ROPE			
10	+	X707-000050	1	TAPE			
11	+	177227-42030	1	GUIDE, ROPE			
12		A052-000370	1	STARTER PULLY ASSY			
13	+	A520-000150	1	STARTER PULLEY			
14	+	177218-40630	1	PAWL, STARTER	WHITE		
15	+	177234-40630	1	SPRING, RETURN			
16	+	P022-002100	1	E-RING	4		
17		V265-000170	1	NUT			
18		V105-000031	1	GASKET, STARTER			
19		V202-000581	3	BOLT, 4	M4X16 WSW		
20		V202-000310	1	BOLT ADHESIVE			
21		X504-007480	1	LABEL, BRAND	SHINDAIWA T350		
22		159112-22131	1	CLIP			

6. CARBURETOR, AIR CLEANER



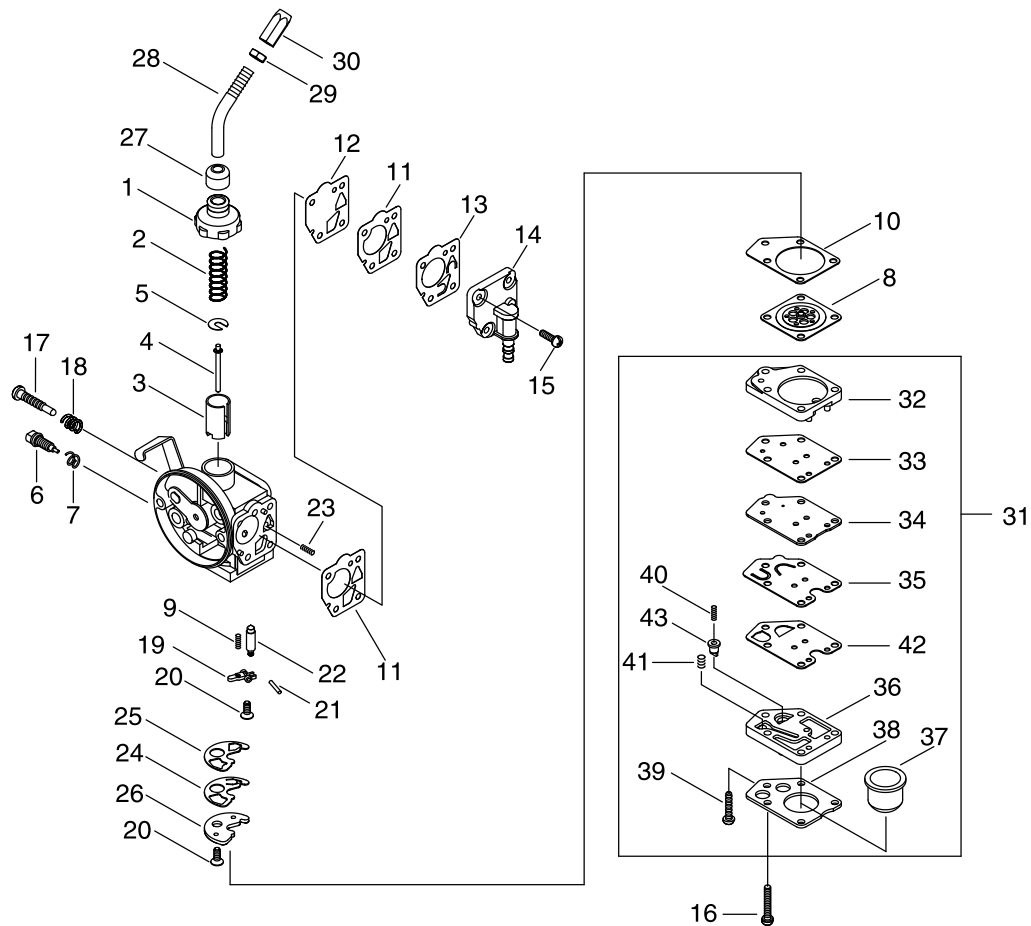
KEY	LV	PART NUMBER	Q'TY	DESCRIPTION	REMARKS	NOTE1	NOTE2
1		A021-002490	1	CABURETOR ASSY			
2		V103-000960	1	GASKET CARBURETOR			
3		A246-000020	1	CABLE CAP			
4		V430-002890	1	THROTTLE CABLE			
5		V475-004980	1	PIPE			
6		V485-001860	1	EARTH CORD A			
7		V475-004760	1	PIPE			
8		A225-000490	1	CLEANER BODY			
9		X524-002460	1	LABEL CARBURETOR			
10		A226-000650	1	FILTER			
11		91577-04025	2	SCREW PM SLPW			
12		A232-000820	1	CLEANER COVER COMP			
13	+	A232-000830	1	CLEANER COVER			
14	+	A235-000220	1	KNOB CLEANER COVER			
15	+	V347-000030	1	CONE WASHER			
16	+	V581-000200	1	O RING			
17	+	X506-000130	1	LABEL CHOKE			
18		V203-000891	2	BOLT,5	M5X55 WSW B=50		

7. CARBURETOR



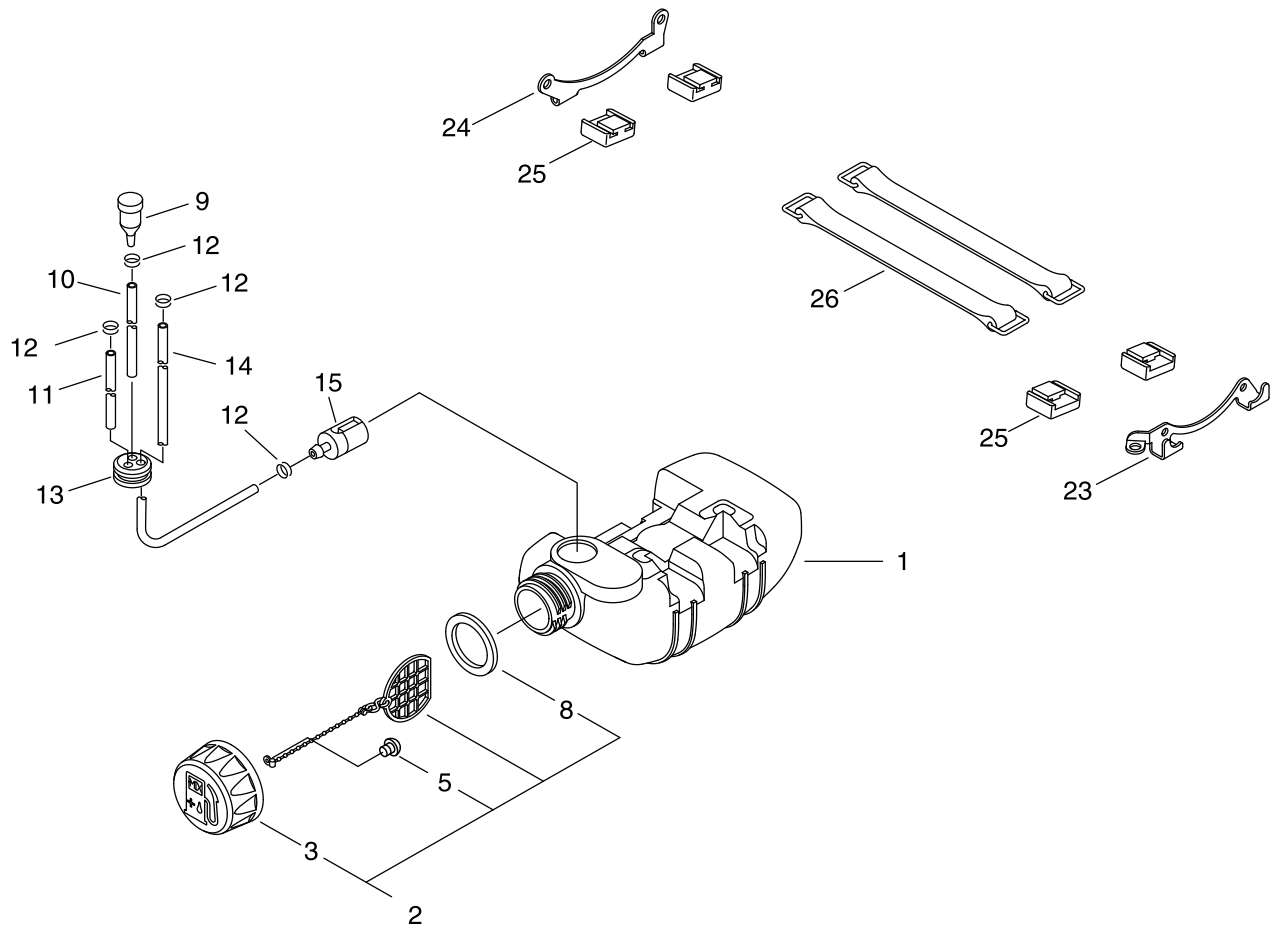
KEY	LV	PART NUMBER	Q'TY	DESCRIPTION	REMARKS	NOTE1	NOTE2
		A021-002490	1	CABURETOR ASSY			
1	+	P004-000700	1	COVER, TOP			
2	+	124114-50330	1	SPRING, THROTTLE			
3	+	P004-002900	1	THROTTLE VALVE			
4	+	P004-003310	1	JET NEEDLE			
5	+	124115-05530	1	SEAT, SPRING			
6	+	P004-003280	1	SCREW, MAIN ADJUST			
7	+	124355-21330	1	SPRING, ADJUSTMENT			
8	+	124341-49930	1	DIAPHRAGM			
9	+	124331-49930	1	SPRING, TENSION			
10	+	124358-49930	1	GASKET, DIAPHRAGM			
11	+	124363-21330	2	GASKET, PUMP DIAPH.			
12	+	P004-001430	1	DIAPHRAGM			
13	+	P004-002550	1	PUMP VALVE			
14	+	P004-003230	1	PUMP BODY			
15	+	P004-001030	4	SCREW			
16	+	900241-03020	4	SCREW 3*20	3*20		
17	+	124159-05530	1	SCREW, IDLE ADJUST			
18	+	124160-11120	1	SPRING, IDLE ADJUST			
19	+	124321-50430	1	LEVER, INLET CONTROL			
20	+	P004-001350	2	SCREW			
21	+	124332-21330	1	PIN, LEVER			
22	+	P004-003450	1	VALVE, NEEDLE			
23	+	124355-50130	2	SPRING, ADJUSTMENT			
24	+	P004-002500	1	CHECK VALVE			
25	+	124375-12710	1	GASKET			

7. CARBURETOR



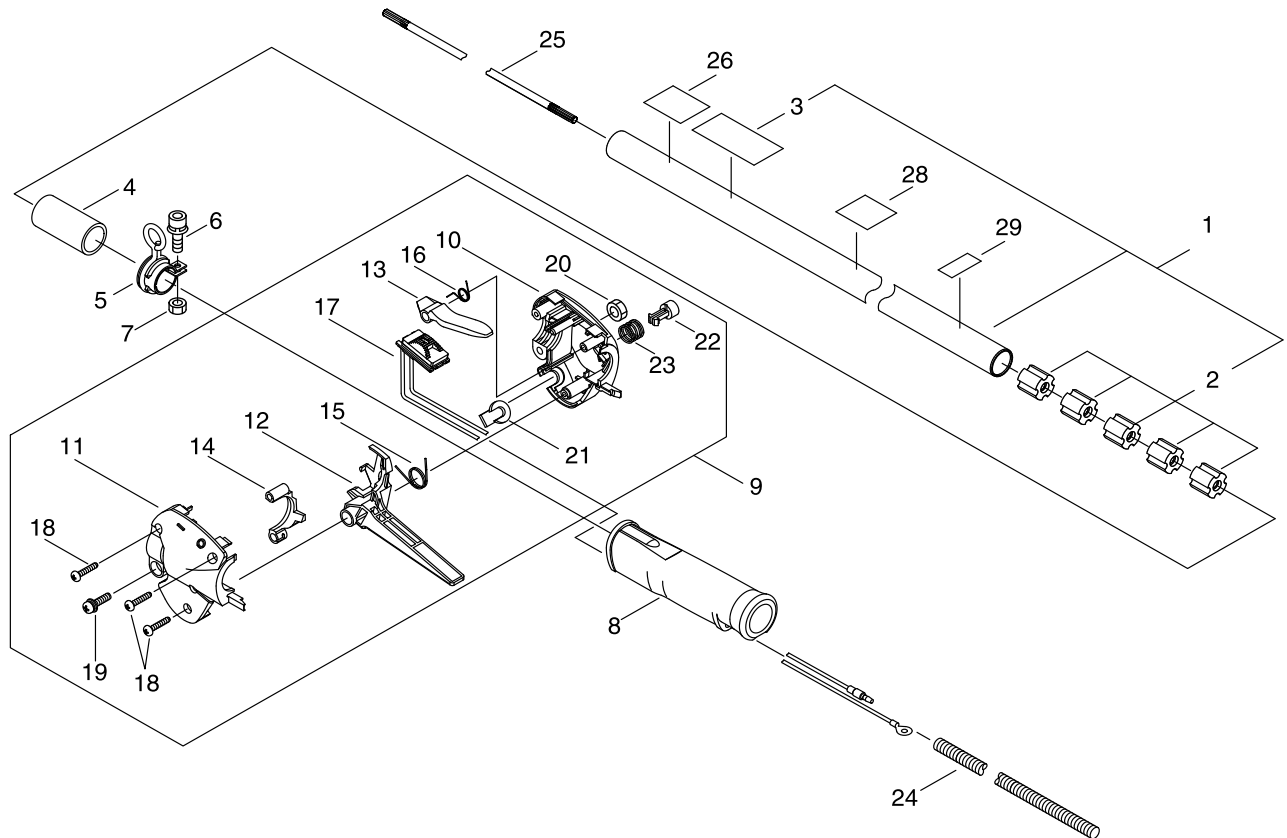
KEY	LV	PART NUMBER	Q'TY	DESCRIPTION	REMARKS	NOTE1	NOTE2
26	+	P004-002950	1	PLATE			
27	+	P004-002180	1	CAP			
28	+	P004-002870	1	ADJUST PIPE			
29	+	124111-05810	1	NUT			
30	+	124158-46630	1	ADJUSTER, CABLE			
31	+	P004-002520	1	COVER SUB ASSY			
32	++	124379-49930	1	COVER, DIAPHRAGM			
33	++	124359-49930	1	PACKING			
34	++	124360-49930	1	PLATE			
35	++	P004-002530	1	CHECK VALVE			
36	++	P004-002570	1	PUMP BASE			
37	++	124380-12710	1	PUMP, PRIMING			
38	++	124342-49930	1	PLATE			
39	++	124310-49930	1	SCREW			
40	++	P004-002580	1	SPRING			
41	++	124355-50130	1	SPRING, ADJUSTMENT			
42	++	P004-002600	1	PACKING			
43	++	P004-002590	1	VALVE,CHECK			

8. FUEL TANK



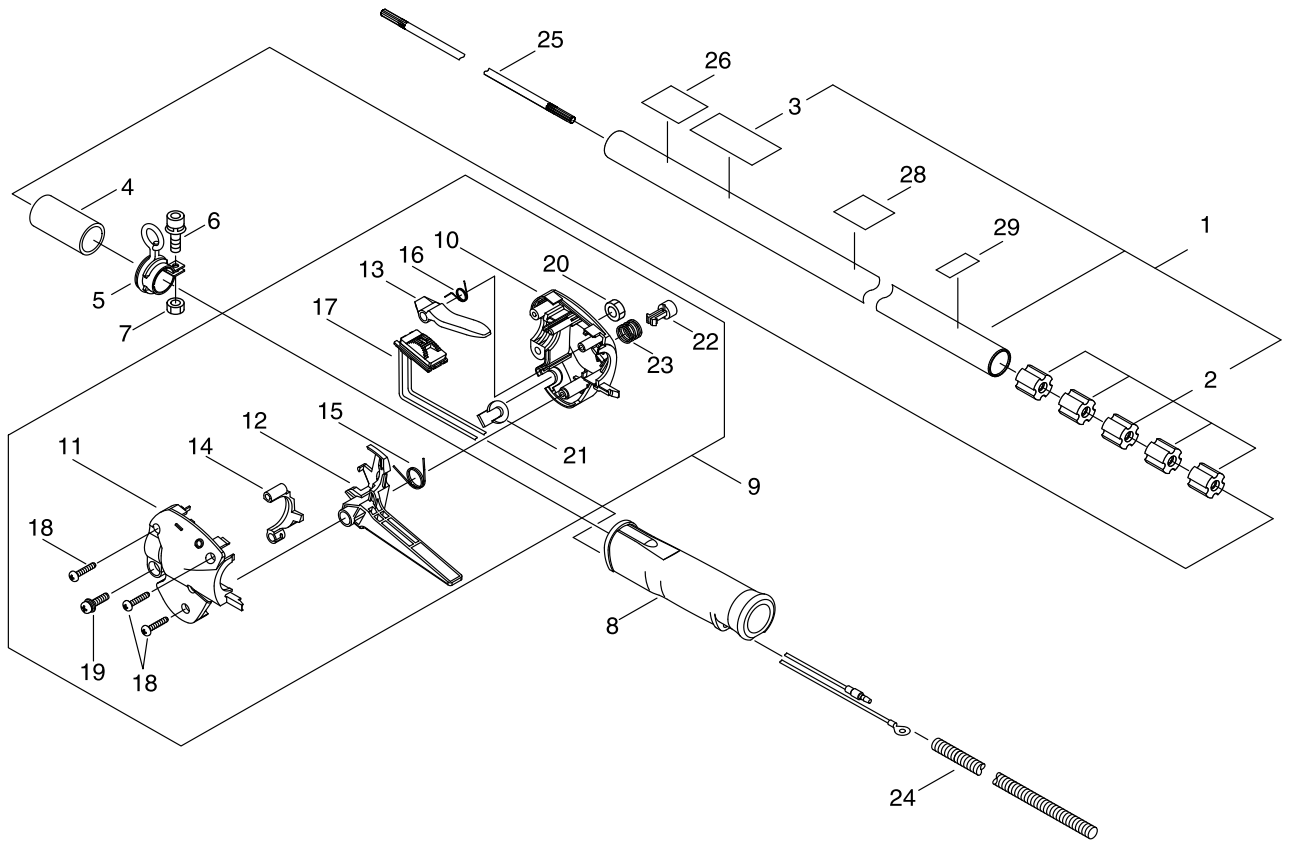
KEY	LV	PART NUMBER	Q'TY	DESCRIPTION	REMARKS	NOTE1	NOTE2
1		A350-001361	1	TANK, FUEL			
2		A033-000330	1	CAP, FUEL			
3	+	A355-000180	1	FUEL CAP			
5	+	91483-02506	1	SCREW TAPPING			
8	+	V107-000010	1	GASKET			
9		A356-000050	1	VALVE, CHECK			
10		V471-000760	1	PIPE			
11		132010-49030	1	PIPE, 3*6*50	3*6*50 YL		
12		V490-000500	4	CLIP			
13		132115-55930	1	GROMMET, FUEL			
14		V471-000750	1	PIPE			
15		A369-000101	1	FUEL FILTER SUB ASSY			
23		A393-000180	1	BRACKET S			
24		A393-000190	1	BRACKET M			
25		V420-002390	4	CUSHION			
26		A392-000070	2	BAND			

9. OUTER PIPE

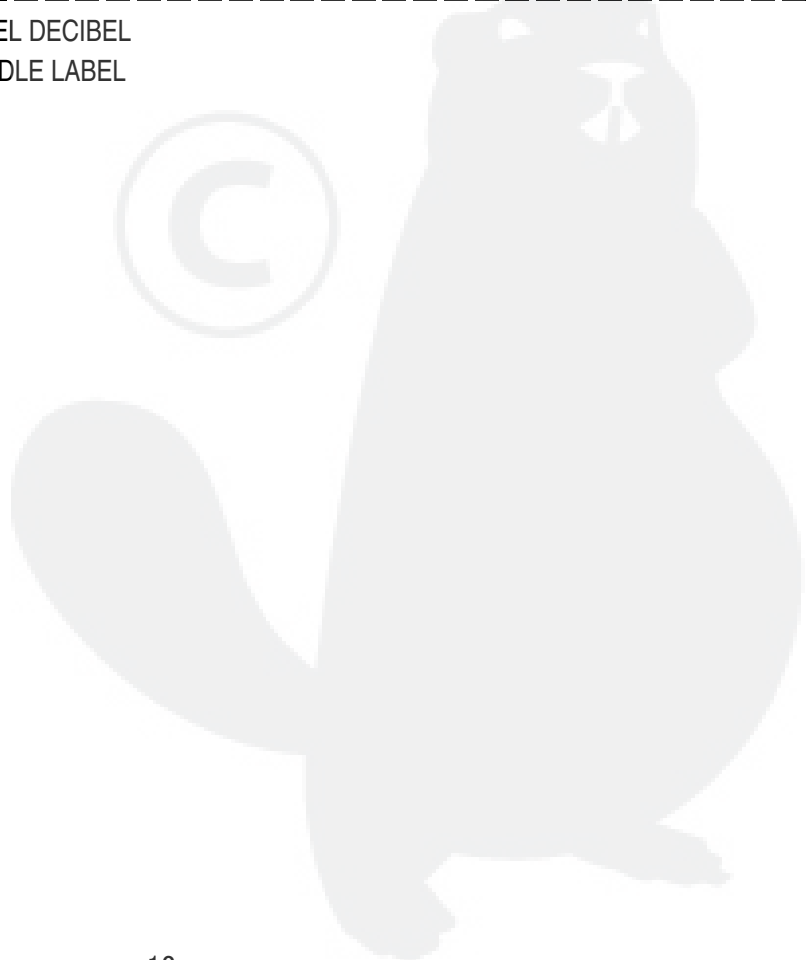
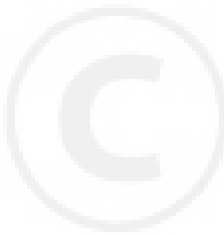


KEY	LV	PART NUMBER	Q'TY	DESCRIPTION	REMARKS	NOTE1	NOTE2
1		P021-043280	1	OUTER PIPE SUB ASSY			
2	+	C501-000060	5	BUSH			
3	+	890617-43130	1	LABEL CAUTION			
4		V364-000030	1	PROTECTOR			
5		C063-000010	1	HANGER			
6		V203-000701	1	BOLT,5	M5X12 WSW		
7		900500-00005	1	NUT 5	5		
8		C412-000380	1	GRIP			
9		C044-000630	1	THROTTLE LEVER ASSY			
10	+	C401-000180	1	BODY RIGHT			
11	+	C401-000190	1	BODY LEFT			
12	+	C450-000480	1	LEVER			
13	+	C460-000190	1	LOCK LEVER			
14	+	C461-000020	1	HOLDER			
15	+	P022-025820	1	SPRING, THR. RETURN			
16	+	V452-000500	1	COIL SPRING			
17	+	A045-000280	1	SWITCH			
18	+	P022-032480	3	SCREW			
19	+	P022-025800	1	SCREW	M5*20		
20	+	92017-05000	1	NUT	M5		
21	+	P022-025790	1	PLUG			
22	+	C461-000080	1	BUTTON			
23	+	V450-001010	1	COIL SPRING			
24		V475-004670	1	TUBE			
25		C504-000690	1	MAIN SHAFT			
26		X505-002900	1	LABEL CAUTION			

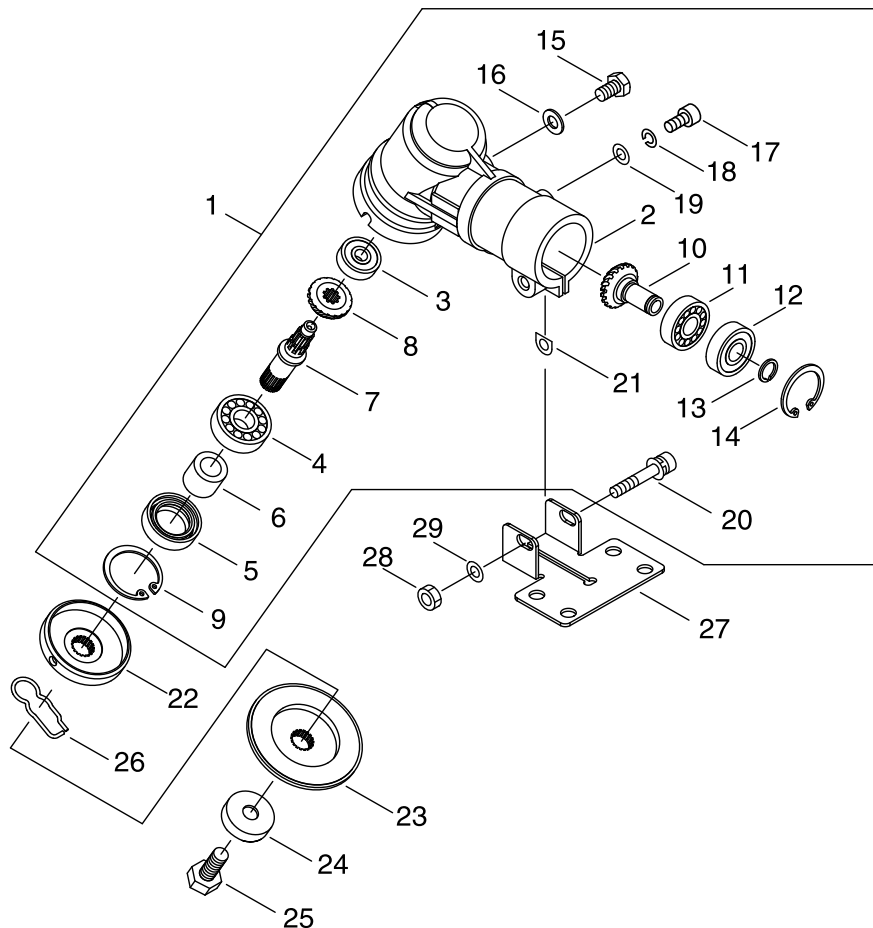
9. OUTER PIPE



KEY	LV	PART NUMBER	Q'TY	DESCRIPTION	REMARKS	NOTE1	NOTE2
28		X508-000310	1	LABEL DECIBEL			
29		X524-002380	1	HANDLE LABEL			

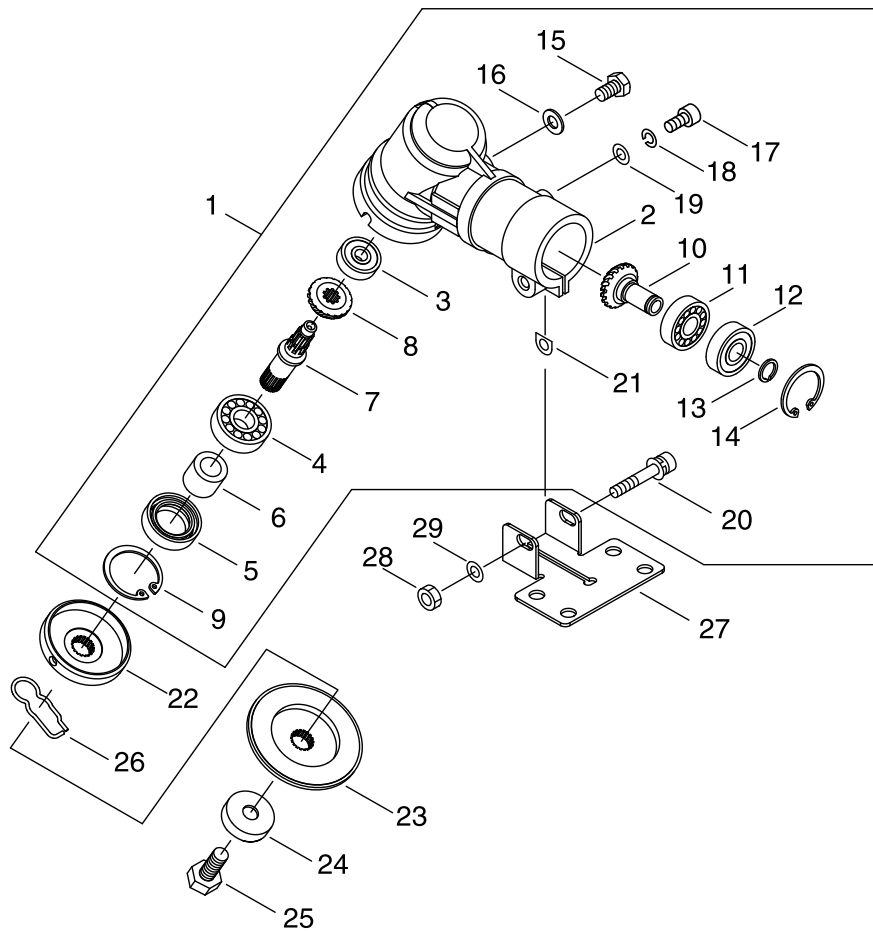


10. GEAR CASE



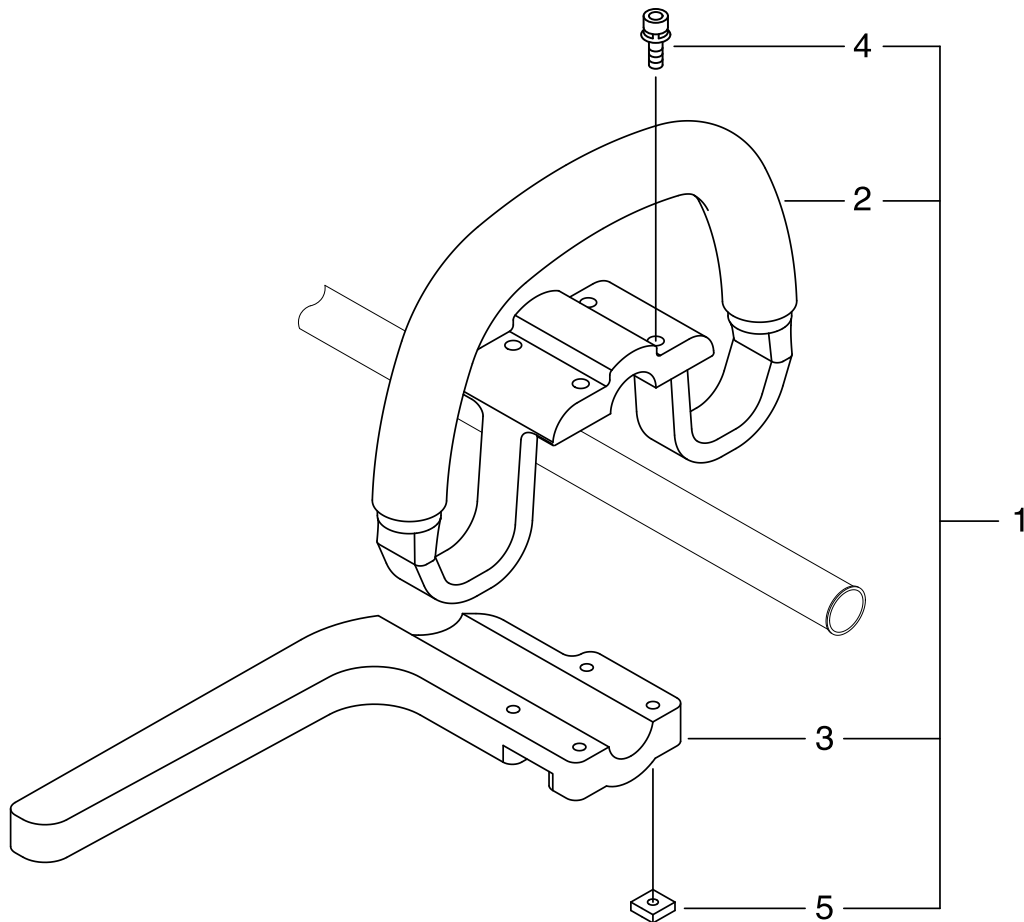
KEY	LV	PART NUMBER	Q'TY	DESCRIPTION	REMARKS	NOTE1	NOTE2
1		C051-000591	1	CASE,GEAR			
2	+	C531-000611	1	CASE,GEAR			
3	+	900802-06000	1	BEARING, BALL 6000	6000DDU(LLU)		
4	+	900810-06201	1	BEARING, BALL 6201	6201		
5	+	V510-000010	1	OIL SEAL			
6	+	V356-000500	1	COLLAR			
7	+	C534-000890	1	SHAFT, GEAR			
8	+	V651-000590	1	BEVEL GEAR			
9	+	92424-32000	1	SNAP RING			
10	+	V651-000500	1	BEVEL PINION COMP			
11	+	900800-06000	1	BEARING, BALL 6000	6000		
12	+	900804-06000	1	BEARING, BALL	6000ZZ		
13	+	900706-00010	1	CIRCLIP 10	WR-10		
14	+	92424-26000	1	SNAP RING			
15	+	V206-000250	1	BOLT			
16	+	V307-000230	1	GASKET			
17	+	900105-05012	1	BOLT, H.S. 5*12	5*12		
18	+	900605-00005	1	WASHER, SPRING 5	5		
19	+	900600-00005	1	WASHER 5	5		
20	+	V204-000450	1	BOLT SPW			
21	+	V340-000280	1	SHIM			
22		C535-000841	1	FIXTURE, BLADE			
23		C535-000851	1	FIXTURE, BLADE			
24		C535-000860	1	BOLT GUARD			
25		V205-001070	1	BOLT,8			
26		V641-000150	1	PIN,SNAP			

10. GEAR CASE



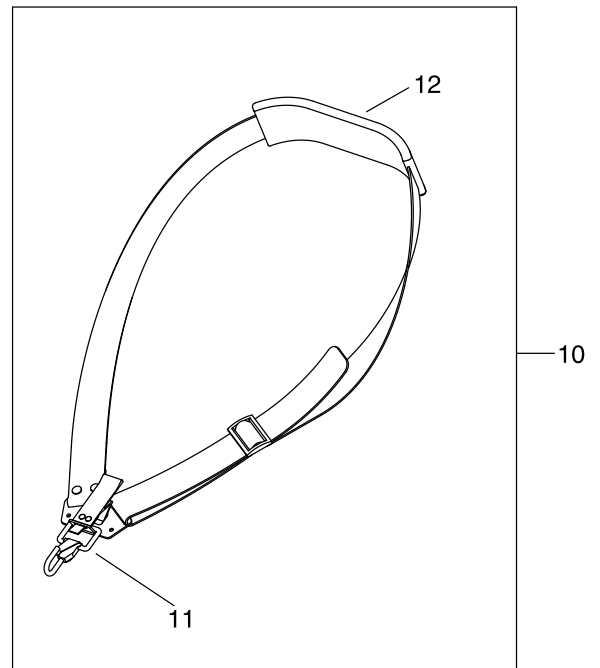
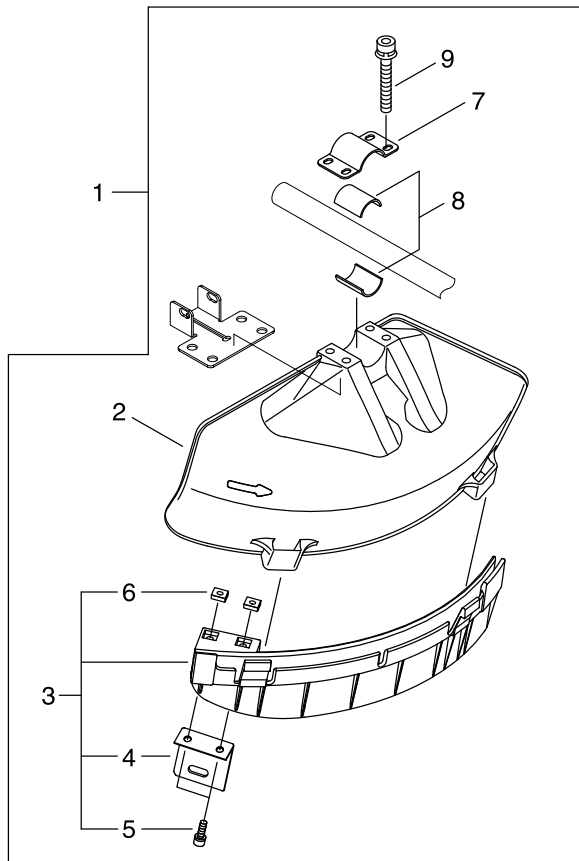
KEY	LV	PART NUMBER	Q'TY	DESCRIPTION	REMARKS	NOTE1	NOTE2
27		C551-000140	1	LOWER CLAMP			
28		900500-00006	1	NUT 6	6		
29		900603-00006	1	WASHER 6	6.5*13*1		

11. HANDLE



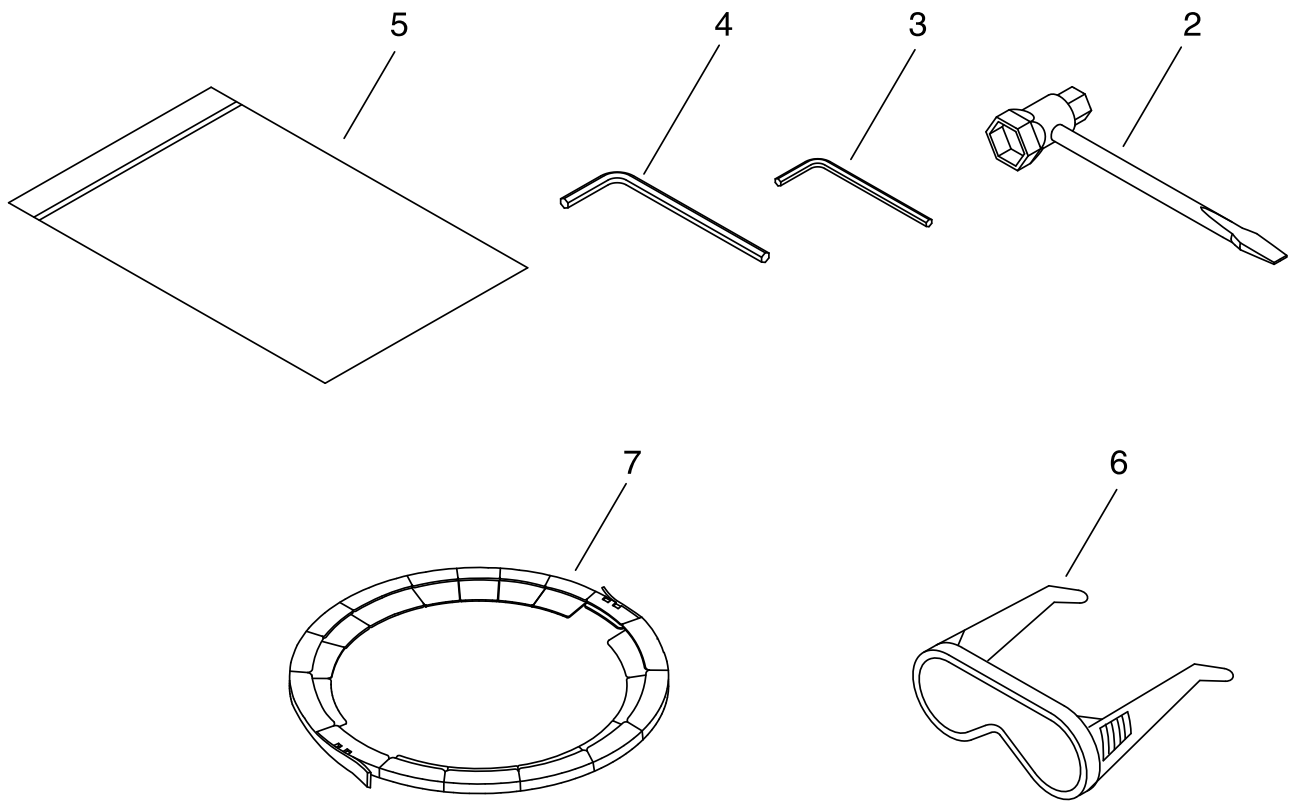
KEY	LV	PART NUMBER	Q'TY	DESCRIPTION	REMARKS	NOTE1	NOTE2
1		P021-027931	1	HANDLE ASSY			
2	+	C040-000290	1	HANDLE			
3	+	C405-000410	1	BARRIER			
4	+	V203-000601	4	BOLT,5	M5X35 WSW		
5	+	V263-000130	4	NUT			

12. GUARD, STRAP



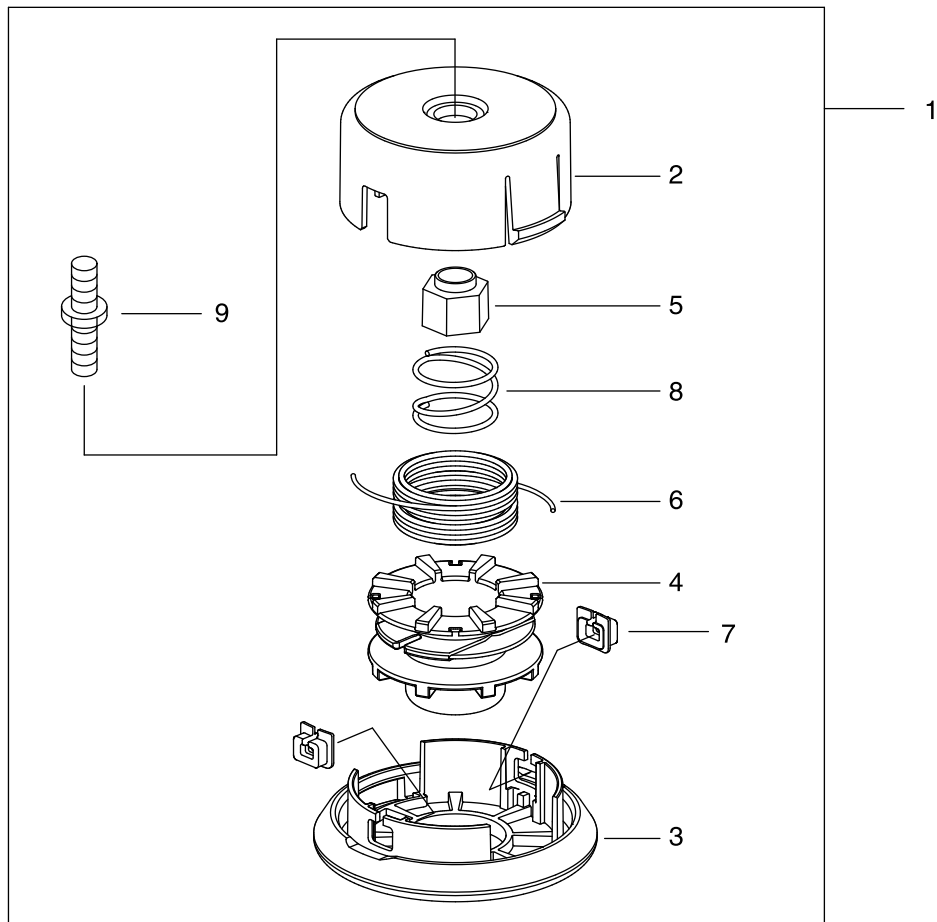
KEY	LV	PART NUMBER	Q'TY	DESCRIPTION	REMARKS	NOTE1	NOTE2
1		P021-028901	1	GUARD SET			
2	+	C550-000430	1	GUARD			
3	+	P021-028451	1	SUB GUARD ASSY			
4	++	C554-000040	1	CUTTER			
5	++	91122-05016	2	BOLT	CB-5*16 SW		
6	++	V263-000130	2	NUT			
7	+	C551-000060	1	UPPER CLAMP			
8	+	V363-000160	2	SPACER			
9	+	V203-000611	4	BOLT,5	M5X45 WSW		
10		C062-000390	1	STRAP ASSY			
11	+	C649-000200	1	HOOK			
12	+	C644-000080	1	PROTECTOR			

13. TOOLS



KEY	LV	PART NUMBER	Q'TY	DESCRIPTION	REMARKS	NOTE1	NOTE2
2		X602-000150	1	PLUG WRENCH			
3		X605-000100	1	TOOL,L WRENCH	4MM M5		
4		X605-000070	1	HEXA WRENCH 6MM			
5		X705-000100	1	BAG,PACKING	140*200*T0.08		
6		X690-000080	1	GOGGLE	SI CHINA, Z87.1		
7		P021-034750	1	BLADE COVER			

14. NYLON LINE CUTTER



KEY	LV	PART NUMBER	Q'TY	DESCRIPTION	REMARKS	NOTE1	NOTE2
1		X047-000770	1	CUTTER,ASM LINE	TAP&FEED 8MM		
2	+	P022-035000	1	HOUSING			
3	+	P022-010410	1	COVER			
4	+	P022-010400	1	BOBBIN			
5	+	P022-035010	1	NUT			
6	+	P022-006200	1	NYLON CODE	3.0*3M		
7	+	P022-000710	2	EYELET			
8	+	P022-010370	1	SPRING			
9	+	P022-035020	1	BOLT			

Index

Patrs Number	Key No.	Patrs Number	Key No.	Patrs Number	Key No.
124111-05810	7 - 29	900605-00005	10 - 18	A355-000180	8 - 3
124114-50330	7 - 2	900605-00010	4 - 4	A356-000050	8 - 9
124115-05530	7 - 5	900706-00010	10 - 13	A369-000101	8 - 15
124158-46630	7 - 30	900800-06000	10 - 11	A392-000070	8 - 26
124159-05530	7 - 17	900802-06000	10 - 3	A393-000180	8 - 23
124160-11120	7 - 18	900802-06002	2 - 12	A393-000190	8 - 24
124310-49930	7 - 39	900804-06000	10 - 12	A409-000640	4 - 1
124321-50430	7 - 19	900810-06201	10 - 4	A411-000780	4 - 5
124331-49930	7 - 9	91100-04024	4 - 16	A412-000030	4 - 6
124332-21330	7 - 21	91113-04016	2 - 22	A426-000050	4 - 14
124341-49930	7 - 8	91122-05016	12 - 5	A427-000090	4 - 10
124342-49930	7 - 38	91122-05025	1 - 3	A429-000110	4 - 11
124355-21330	7 - 7	91483-02506	8 - 5	A520-000150	5 - 13
124355-50130	7 - 23	91577-04025	6 - 11	A551-000120	3 - 15
124355-50130	7 - 41	92017-05000	9 - 20	A552-000121	3 - 12
124358-49930	7 - 10	92424-26000	10 - 14	A555-000130	3 - 13
124359-49930	7 - 33	92424-32000	2 - 13	A556-001480	2 - 15
124360-49930	7 - 34	92424-32000	10 - 9	A557-000120	3 - 16
124363-21330	7 - 11	93115-03010	4 - 2	A566-000150	3 - 14
124375-12710	7 - 25	A011-000860	3 - 10	A575-000400	2 - 28
124379-49930	7 - 32	A021-002490	6 - 1	A575-000410	2 - 29
124380-12710	7 - 37	A021-002490	7 -	A575-000420	2 - 32
132010-49030	8 - 11	A030-000230	1 - 9	A575-000430	2 - 33
132115-55930	8 - 13	A033-000330	8 - 2	C040-000290	11 - 2
159010-10130	4 - 19	A045-000280	9 - 17	C044-000630	9 - 9
159112-22131	5 - 22	A051-001740	5 - 1	C051-000591	10 - 1
177214-41030	5 - 6	A052-000370	5 - 12	C062-000390	12 - 10
177215-43130	5 - 3	A056-000451	3 - 11	C063-000010	9 - 5
177218-40630	5 - 14	A100-000700	3 - 8	C401-000180	9 - 10
177220-40630	5 - 4	A101-000380	3 - 2	C401-000190	9 - 11
177227-42030	5 - 11	A120-000080	2 - 2	C405-000410	11 - 3
177228-27030	5 - 8	A120-001170	2 - 6	C412-000380	9 - 8
177234-40630	5 - 15	A130-001371	1 - 1	C450-000480	9 - 12
177246-11120	5 - 9	A160-001600	2 - 23	C460-000190	9 - 13
890617-43130	9 - 3	A162-000190	2 - 21	C461-000020	9 - 14
900105-05012	10 - 17	A163-000020	2 - 25	C461-000080	9 - 22
900105-05025	2 - 34	A172-002310	2 - 11	C501-000060	9 - 2
900105-05030	2 - 10	A175-000180	2 - 37	C504-000690	9 - 25
900105-06025	1 - 13	A200-000640	1 - 5	C531-000611	10 - 2
900241-03020	7 - 16	A225-000490	6 - 8	C534-000890	10 - 7
900330-50100	2 - 9	A226-000650	6 - 10	C535-000841	10 - 22
900500-00005	9 - 7	A232-000820	6 - 12	C535-000851	10 - 23
900500-00006	10 - 28	A232-000830	6 - 13	C535-000860	10 - 24
900503-00010	4 - 3	A235-000220	6 - 14	C550-000430	12 - 2
900600-00005	2 - 36	A246-000020	6 - 3	C551-000060	12 - 7
900600-00005	10 - 19	A300-001130	1 - 10	C551-000140	10 - 27
900603-00006	10 - 29	A310-000210	1 - 11	C554-000040	12 - 4
900605-00004	4 - 17	A320-000770	2 - 27	C644-000080	12 - 12
900605-00005	2 - 35	A350-001361	8 - 1	C649-000200	12 - 11

Index

Patrs Number	Key No.	Patrs Number	Key No.	Patrs Number	Key No.
P004-000700	7 - 1	V103-000960	6 - 2	V485-001860	6 - 6
P004-001030	7 - 15	V104-001340	1 - 12	V490-000500	8 - 12
P004-001350	7 - 20	V105-000031	5 - 18	V495-001440	4 - 12
P004-001430	7 - 12	V107-000010	8 - 8	V508-000050	2 - 4
P004-002180	7 - 27	V135-000080	4 - 8	V508-000050	2 - 8
P004-002500	7 - 24	V136-000060	4 - 9	V510-000010	10 - 5
P004-002520	7 - 31	V151-000050	4 - 13	V555-000090	3 - 5
P004-002530	7 - 35	V202-000310	5 - 20	V580-000110	3 - 4
P004-002550	7 - 13	V202-000581	5 - 19	V581-000200	6 - 16
P004-002570	7 - 36	V203-000351	2 - 19	V583-000181	2 - 17
P004-002580	7 - 40	V203-000351	2 - 31	V592-000290	2 - 3
P004-002590	7 - 43	V203-000541	2 - 26	V592-000290	2 - 7
P004-002600	7 - 42	V203-000581	2 - 20	V608-000060	3 - 3
P004-002870	7 - 28	V203-000591	2 - 38	V641-000150	10 - 26
P004-002900	7 - 3	V203-000601	11 - 4	V651-000500	10 - 10
P004-002950	7 - 26	V203-000611	12 - 9	V651-000590	10 - 8
P004-003230	7 - 14	V203-000631	1 - 7	X047-000770	14 - 1
P004-003280	7 - 6	V203-000701	9 - 6	X504-007460	2 - 39
P004-003310	7 - 4	V203-000820	1 - 14	X504-007480	5 - 21
P004-003450	7 - 22	V203-000880	3 - 17	X505-002900	9 - 26
P021-027931	11 - 1	V203-000891	6 - 18	X506-000130	6 - 17
P021-028451	12 - 3	V204-000450	10 - 20	X508-000310	9 - 28
P021-028901	12 - 1	V205-001070	10 - 25	X524-002380	9 - 29
P021-030050	2 - 5	V206-000250	10 - 15	X524-002460	6 - 9
P021-031570	3 - 7	V263-000130	11 - 5	X602-000150	13 - 2
P021-033350	3 - 1	V263-000130	12 - 6	X605-000070	13 - 4
P021-033430	2 - 1	V263-000180	1 - 8	X605-000100	13 - 3
P021-034750	13 - 7	V265-000170	5 - 17	X690-000080	13 - 6
P021-043280	9 - 1	V302-000010	4 - 18	X705-000100	13 - 5
P022-000710	14 - 7	V307-000220	3 - 9	X707-000050	5 - 10
P022-002100	5 - 16	V307-000230	10 - 16		
P022-006200	14 - 6	V340-000280	10 - 21		
P022-010370	14 - 8	V347-000030	6 - 15		
P022-010400	14 - 4	V352-000140	4 - 15		
P022-010410	14 - 3	V356-000500	10 - 6		
P022-025580	5 - 5	V363-000150	2 - 30		
P022-025790	9 - 21	V363-000160	12 - 8		
P022-025800	9 - 19	V364-000030	9 - 4		
P022-025820	9 - 15	V420-002390	8 - 25		
P022-032480	9 - 18	V430-002890	6 - 4		
P022-034980	5 - 2	V450-001010	9 - 23		
P022-034990	5 - 7	V452-000500	9 - 16		
P022-035000	14 - 2	V471-000750	8 - 14		
P022-035010	14 - 5	V471-000760	8 - 10		
P022-035020	14 - 9	V475-004670	9 - 24		
V100-000470	1 - 2	V475-004760	6 - 7		
V100-000470	3 - 6	V475-004880	4 - 7		
V101-000020	2 - 24	V475-004980	6 - 5		
V103-000950	1 - 6	V485-001640	2 - 18		

YAMABIKO CORPORATION

7-2 SUEHIROCHO 1-CHOME, OHME, TOKYO 198-8760, JAPAN
PHONE: 81-428-32-6118. FAX: 81-428-32-6145.

shindaiwa[®]



12Lb
No. 05-135