

shindaiwa®

PARTS CATALOG

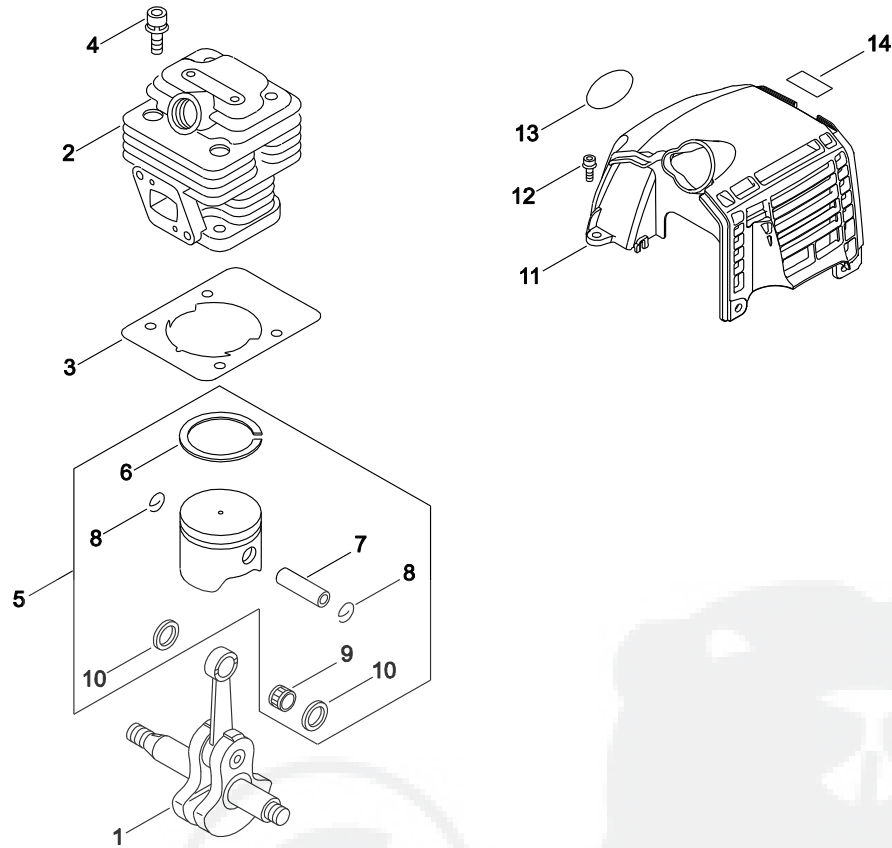
**TRIMMER
T335TS(37)**

37001001 -

CE

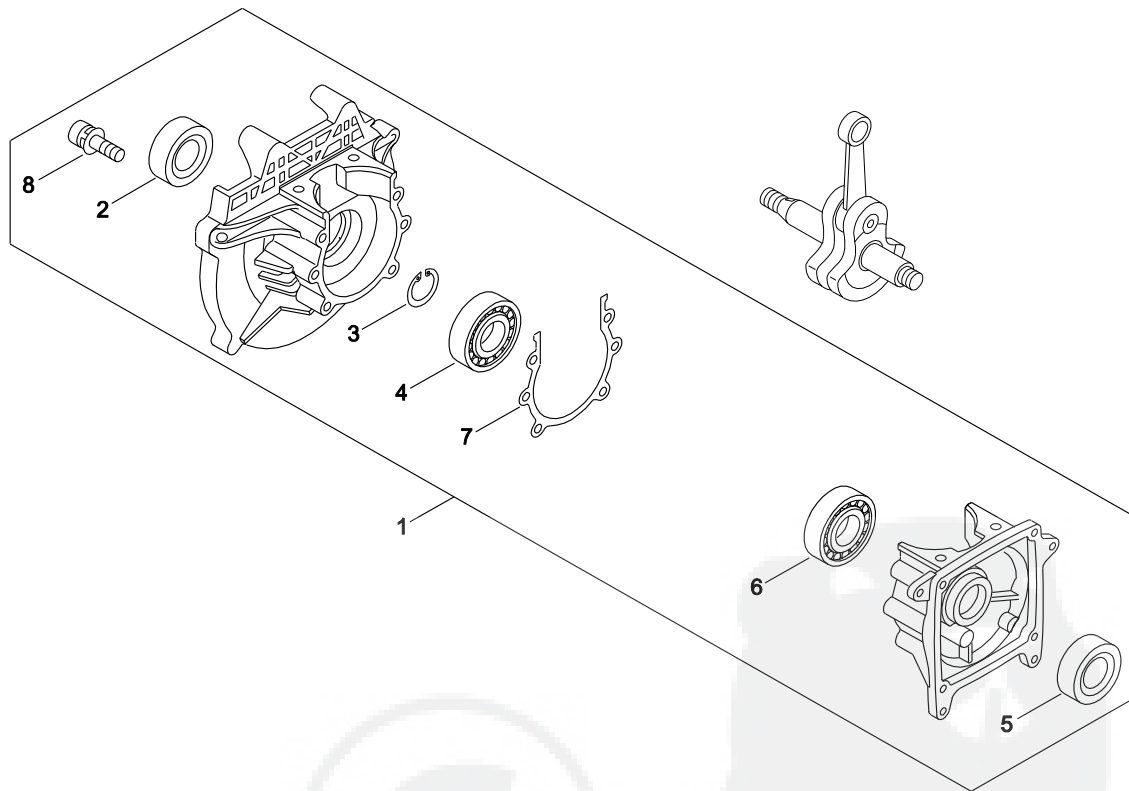
P016-002600-15E

1. CYLINDER, PISTON, CRANKSHAFT



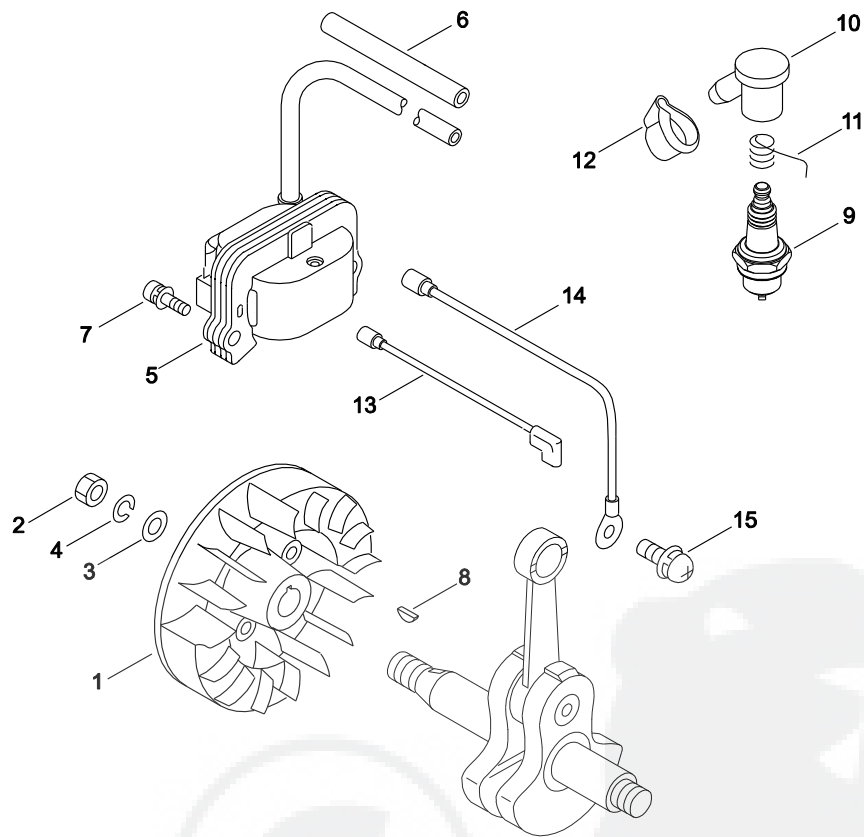
KEY	LV	PART NUMBER	Q'TY	DESCRIPTION	REMARKS	NOTE1	NOTE2
1		A011-000301	1	CRANKSHAFT,ASM			
2		A130-000850	1	CYLINDER			
3		V100-000240	1	GASKET,CYL	T:0.5		
4		V203-000170	4	BOLT,5	5*22		
5		P021-037520	1	PISTON KIT			
6	+	A101-000190	1	RING, PISTON	36*1.5*1.5		
7	+	100013-27430	1	PIN, PISTON			
8	+	100015-03931	2	CIRCLIP, PISTON PIN			
9	+	100012-16131	1	BEARING, NEEDLE			
10	+	100014-53630	2	SPACER, PISTON PIN			
11		A160-003160	1	COVER,CYLINDER			
12		91121-05012	2	BOLT, FLANGE	10.9 SILVER		
13		X562-000080	1	LABEL,SHINDAIWA	335TS		
14		X505-002310	1	LABEL,CAUTION	HOT CAUTION		

2. CRANKCASE



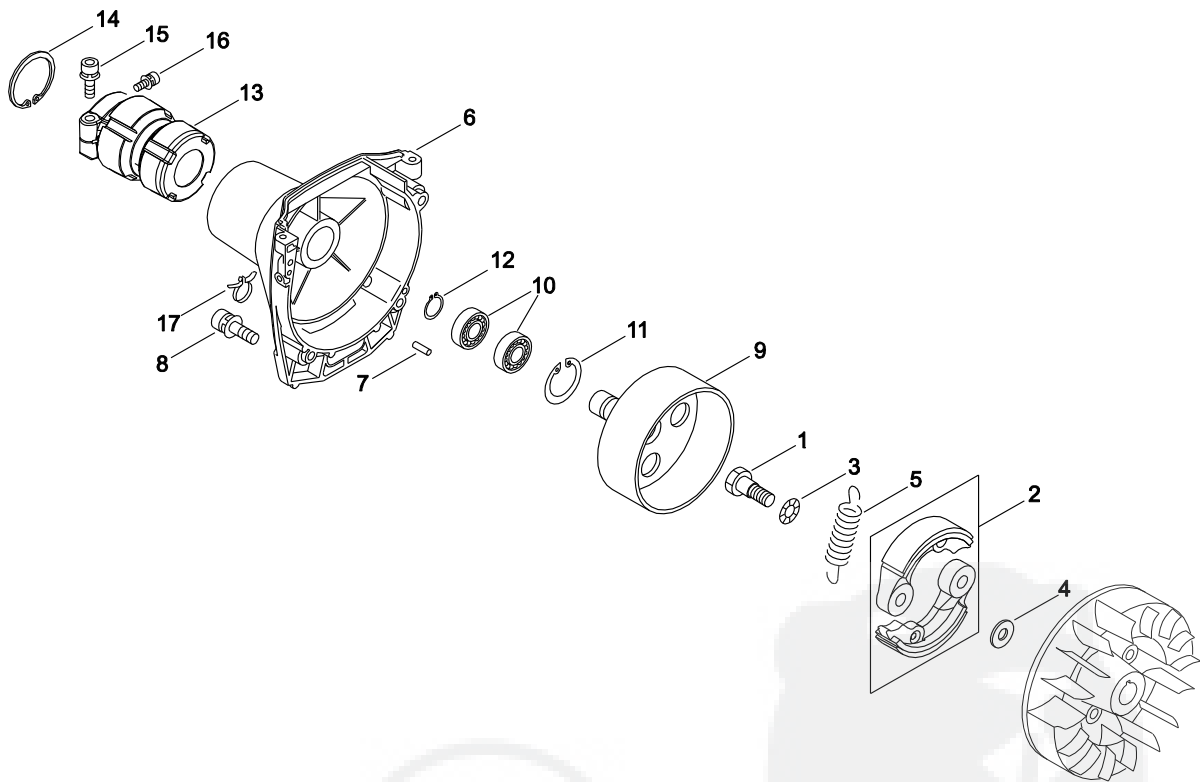
KEY	LV	PART NUMBER	QTY	DESCRIPTION	REMARKS	NOTE1	NOTE2
1		P021-014020	1	CRANKCASE KIT			
2	+	100212-03930	1	OILSEAL	ISCX12*32*5.5		
3	+	900702-00032	1	CIRCLIP 32	CR-32		
4	+	94035-36201	1	BEARING BALL	6201X3JR2C3		
5	+	V505-000020	1	SEAL,OIL 12	12*22*7		
6	+	94035-36201	1	BEARING BALL	6201X3JR2C3		
7	+	V102-000040	1	GASKET,CRANKCASE	T:0.5		
8	+	V203-000160	4	BOLT,5	5*30		

3. MAGNETO



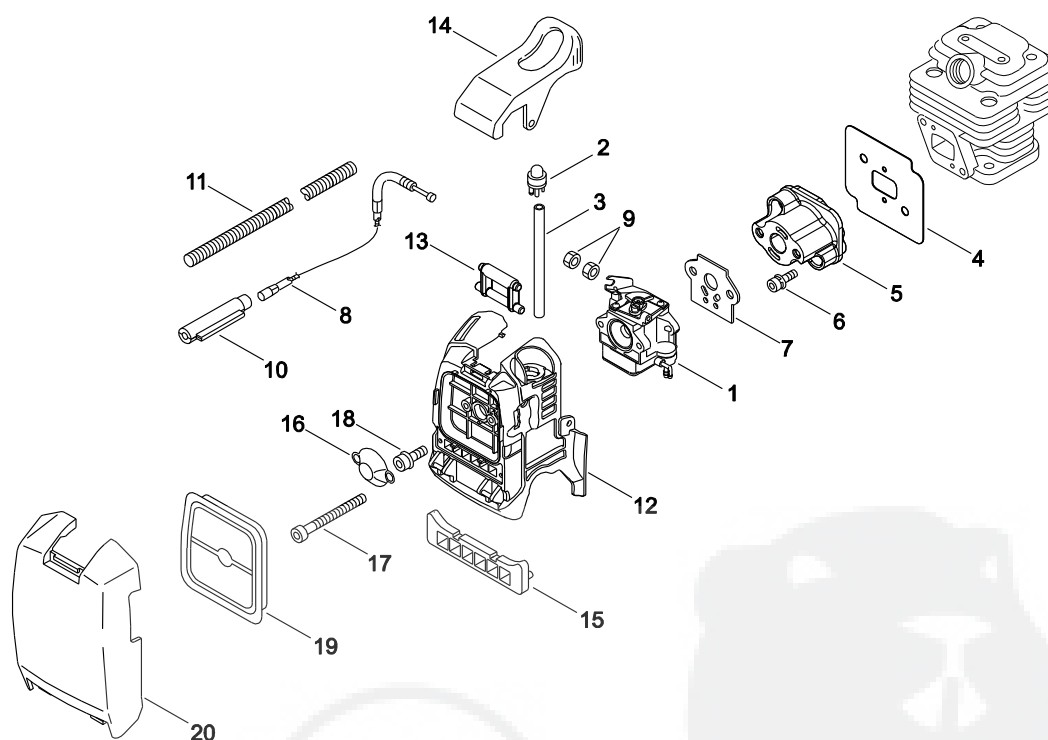
KEY	LV	PART NUMBER	Q'TY	DESCRIPTION	REMARKS	NOTE1	NOTE2
1		152801-55430	1	ROTOR, MAGNET			
2		900502-00008	1	NUT 8 (3N)	3N8		
3		900600-00008	1	WASHER 8	8		
4		900605-00008	1	WASHER, SPRING 8	8		
5		152626-55730	1	COIL, IGNITION			
6		V475-007740	1	TUBE	7*8.6*110 HST-10		
7		900162-05020	2	BOLT, H.S. 5*20	5*20 W,SW		
8		100142-12330	1	KEY, WOODRUFF			
9		A425-000000	1	SPARKPLUG	BPMR8Y		
10		A427-000000	1	CAP, SPARK PLUG			
11		A426-000000	1	TERMINAL, SPARKPLUG			
12		V141-000020	1	GROMMET, PLUG			
13		V485-000230	1	LEAD			
14		V485-000240	1	LEAD			
15		900238-05010	1	SCREW 5*10	5*10		

4. CLUTCH



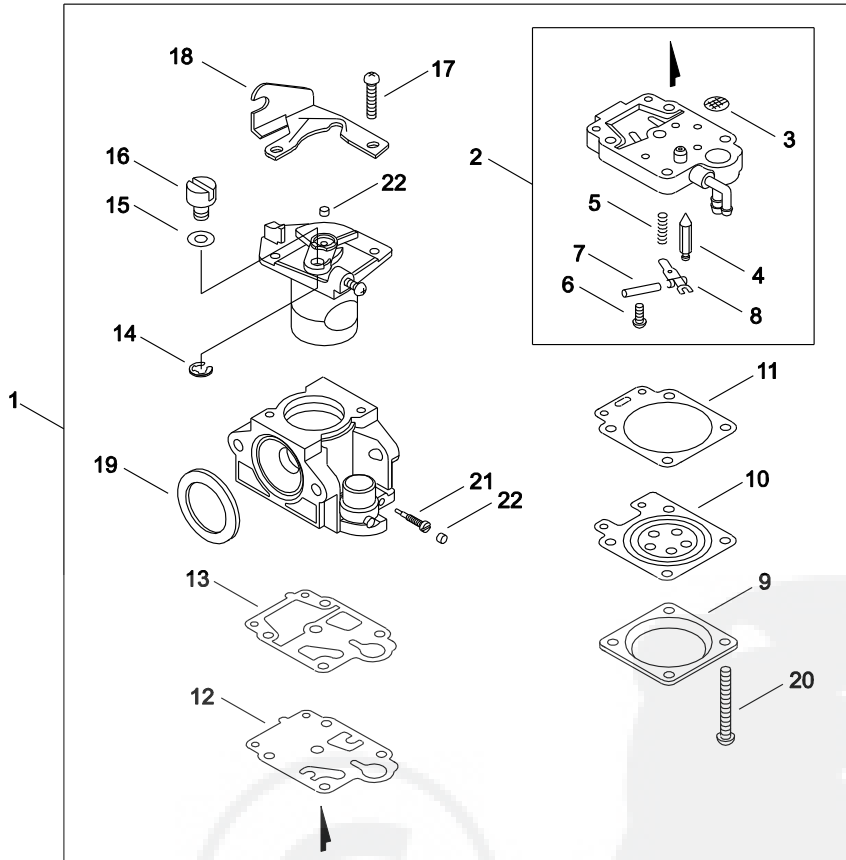
KEY	LV	PART NUMBER	Q'TY	DESCRIPTION	REMARKS	NOTE1	NOTE2
1		A557-000150	2	SHAFT, CLUTCH			
2		P021-046970	1	CLUTCH SHOE SET			
3		175049-56030	2	WASHER	8.5*16*0.5		
4		175048-05530	2	WASHER (I)	6.2*19*1.0		
5		A566-000010	1	SPRING, CLUTCH			
6		A172-002960	1	COVER,FAN			
7		900330-40080	2	PIN F 4*8	4*8		
8		91118-05020	4	BOLT	CM-5*20		
9		A556-000270	1	DRUM,CLUTCH			
10		900807-06001	2	BEARING, BALL 6001	6001V(LB)		
11		900702-00028	1	CIRCLIP 28	CR-28		
12		900701-00012	1	CIRCLIP 12	CS-12		
13		V420-000970	1	CUSHION			
14		900702-00045	1	RING, RETAINING(IN)	CR-45		
15		91118-05028	1	BOLT	CM-5*28		
16		91118-05012	1	BOLT	CM-5*12		
17		V491-000160	1	CLIP			

5. AIR CLEANER, CARBURETOR



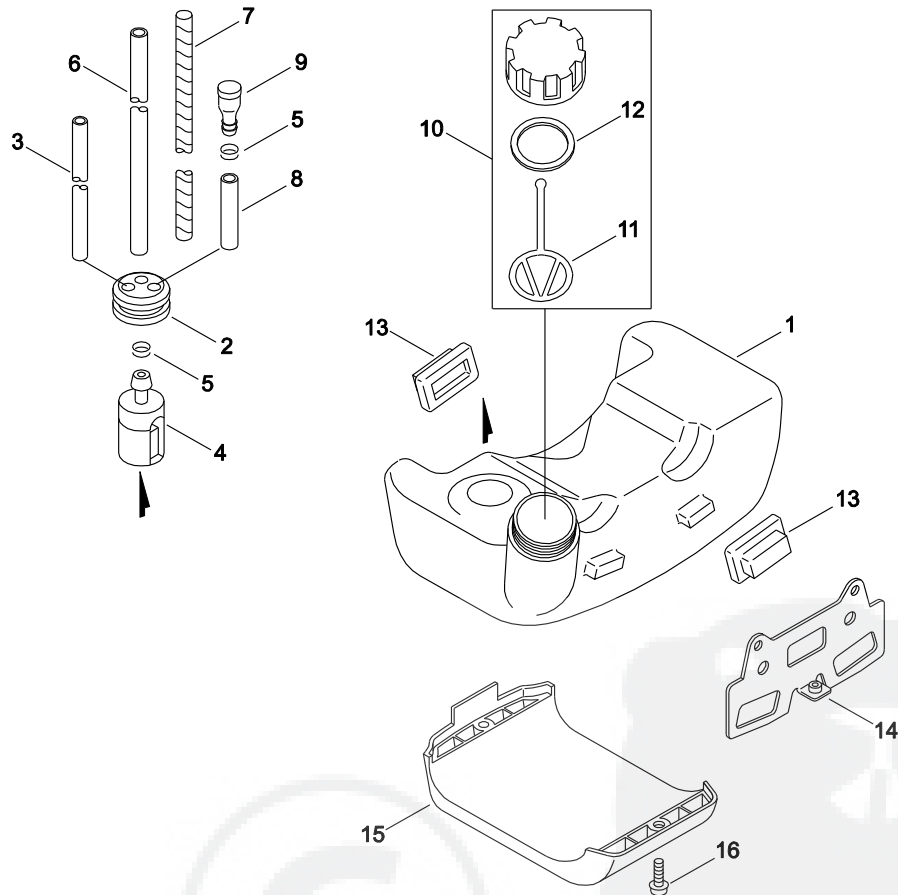
KEY	LV	PART NUMBER	Q'TY	DESCRIPTION	REMARKS	NOTE1	NOTE2
1		A021-001550	1	CARBURETOR,DIAPHRAGM	WYK/EX257		
2		123181-39130	1	PUMP, PRIMER			
3		V471-000640	1	PIPE	2.38*4.76*105		
4		V103-000430	1	GASKET,INTAKE	T:0.5		
5		A200-000950	1	INSULATOR,INTAKE			
6		900162-05025	2	BOLT, H.S. 5*25	5*25 W,SW		
7		V103-000160	1	GASKET,INTAKE			
8		V430-000540	1	CABLE,BOWDEN			
9		900502-00006	2	NUT 6 (3N)	3N6		
10		178081-55932	1	CONNECTOR,CABLE			
11		V475-003240	1	TUBE	7*45		
12		P021-049650	1	CLEANER CASE ASY			
13		J485-000030	1	HINGE			
14		A235-000101	1	KNOB,CLEANER LID	林307		
15		V420-000640	1	CUSHION			
16		A244-000010	1	PLATE,PREVENT			
17		900105-05060	2	BOLT, H.S. 5*60	5*60		
18		900106-05012	1	BOLT, H.S. 5*12	5*12		
19		A226-000140	1	ELEMENT,AIR FILTER			
20		A232-001790	1	LID,CLEANER			

6. CARBURETOR



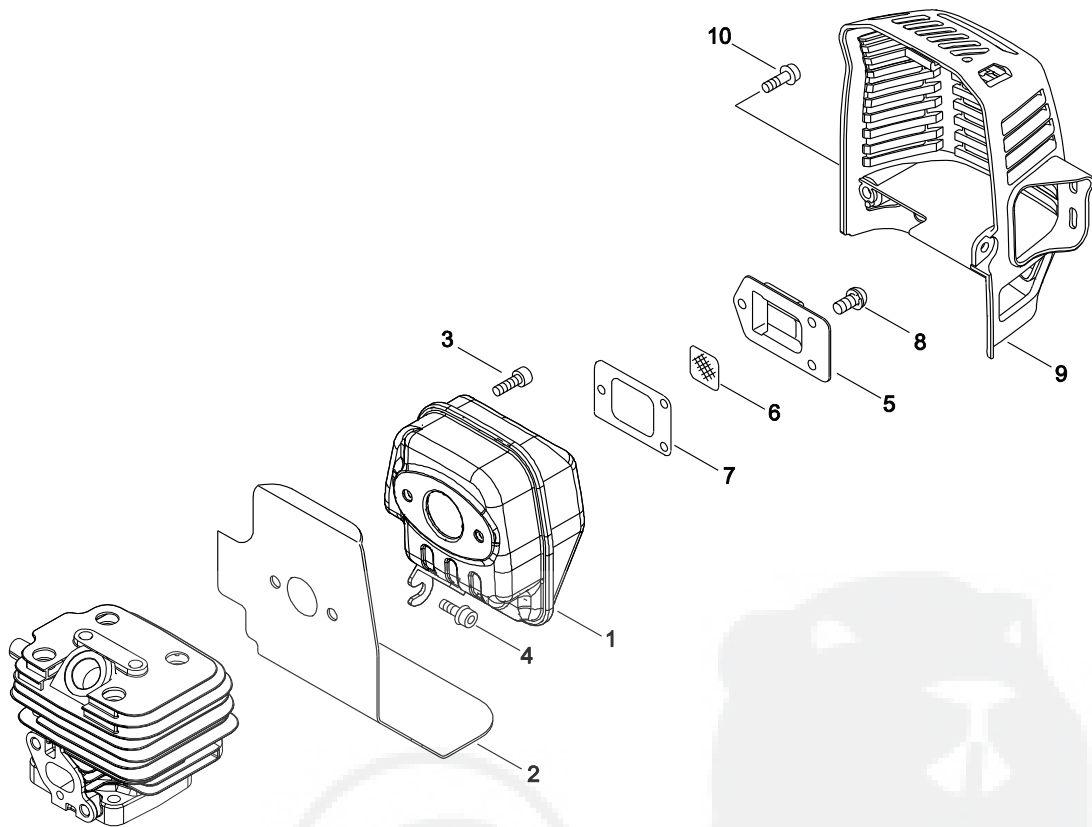
KEY	LV	PART NUMBER	Q'TY	DESCRIPTION	REMARKS	NOTE1	NOTE2
1		A021-001550	1	CARBURETOR,DIAPHRAGM	WYK/EX257		
2	+	P003-001950	1	BODY ASSEMBLY, PUMP			
3	++	123126-10631	1	SCREEN, INLET			
4	++	123137-19830	1	VALVE, INLET NEEDLE			
5	++	123122-05560	1	SPRING, METER. LEVER			
6	++	123139-05560	1	SCREW, M. LEVER PIN			
7	++	123138-03930	1	PIN, METERING LEVER			
8	++	123123-03930	1	LEVER, METERING			
9	+	123142-03930	1	COVER, M. DIAPHRAGM			
10	+	P003-001850	1	DIAPHRAGM, METERING			
11	+	123140-27230	1	GASKET,M. DIAPHRAGM			
12	+	123112-40630	1	DIAPHRAGM, PUMP			
13	+	P003-000100	1	GASKET, PUMP			
14	+	123173-07930	1	CLIP			
15	+	123149-54230	1	WASHER			
16	+	123172-45130	1	SWIVEL			
17	+	123114-40630	2	SCREW			
18	+	P003-000180	1	BRACKET CABLE			
19	+	123143-12110	1	RING, PACKING			
20	+	123144-44330	4	SCREW			
21	+	P003-001130	1	NEEDLE, HIGH SPEED			
22	+	A259-000000	2	CAP,LIMITER	WALBRO 88-265		

7. FUEL TANK



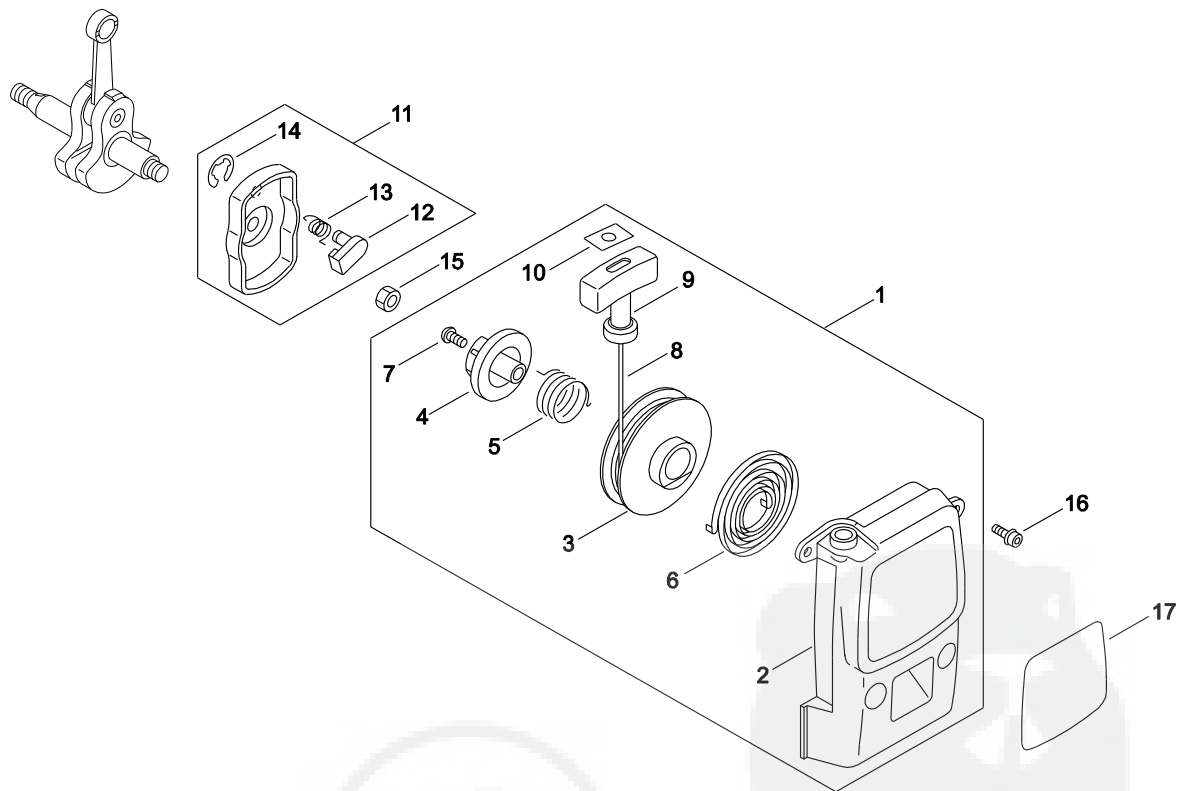
KEY	LV	PART NUMBER	Q'TY	DESCRIPTION	REMARKS	NOTE1	NOTE2
1		A350-000200	1	TANK,FUEL			
2		132115-55930	1	GROMMET, FUEL			
3		132010-53630	1	PIPE	3*6*180 NBR		
4		A369-000001	1	STRAINER, FUEL	125-528		
5		V490-001230	2	CLIP			
6		132010-22130	1	PIPE, FUEL	3*6*150L NBR		
7		V475-002240	1	TUBE			
8		V471-001180	1	PIPE	3*6*35 NBR		
9		131300-56431	1	VENT ASSEMBLY, FUEL			
10		P021-035680	1	FUEL CAP ASY	T242		
11	+	A365-000060	1	CONNECTOR,CAP	L=123		
12	+	131016-55830	1	GASKET, FUEL CAP			
13		131920-55430	4	CUSHION, FUEL TANK			
14		A393-000060	1	BRACKET,FUEL TANK			
15		A175-000011	1	STAND			
16		91121-05016	2	BOLT, FLANGE	10.9 SILVER		

8. MUFFLER



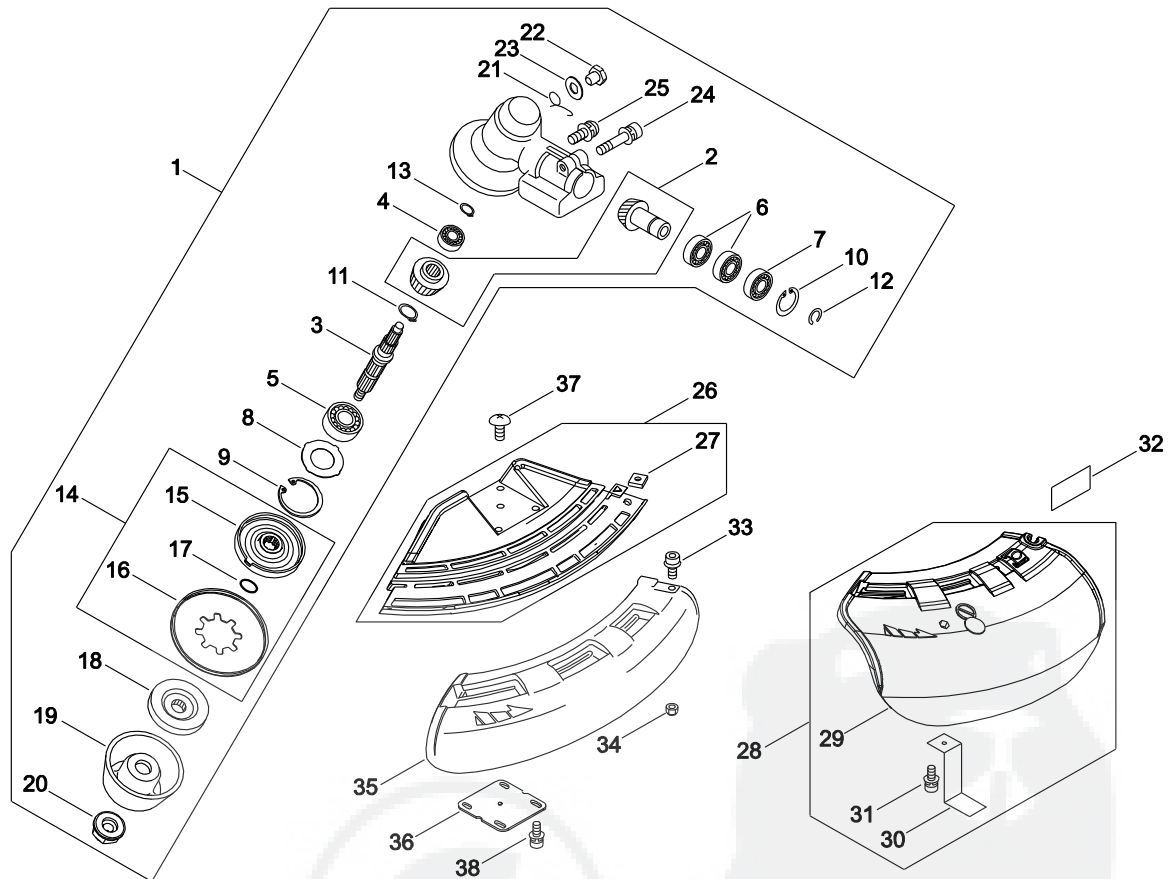
KEY	LV	PART NUMBER	Q'TY	DESCRIPTION	REMARKS	NOTE1	NOTE2
1		A300-000720	1	MUFFLER, EXHAUST			
2		V104-000890	1	GASKET, EXHAUST	T1		
3		900105-05020	2	BOLT, H.S. 5*20	5*20		
4		900106-05010	1	BOLT, H.S. 5*10			
5		A313-000900	1	GUIDE, EXHAUST			
6		145862-40630	1	SCREEN, MUFFLER			
7		V104-000520	1	GASKET, EXHAUST			
8		91367-04010	3	SCREW	4*10/SW(SUS)		
9		P021-049660	1	LID, MUFFLER			
10		91121-05012	1	BOLT, FLANGE	10.9 SILVER		

9. RECOIL STARTER, PULLEY



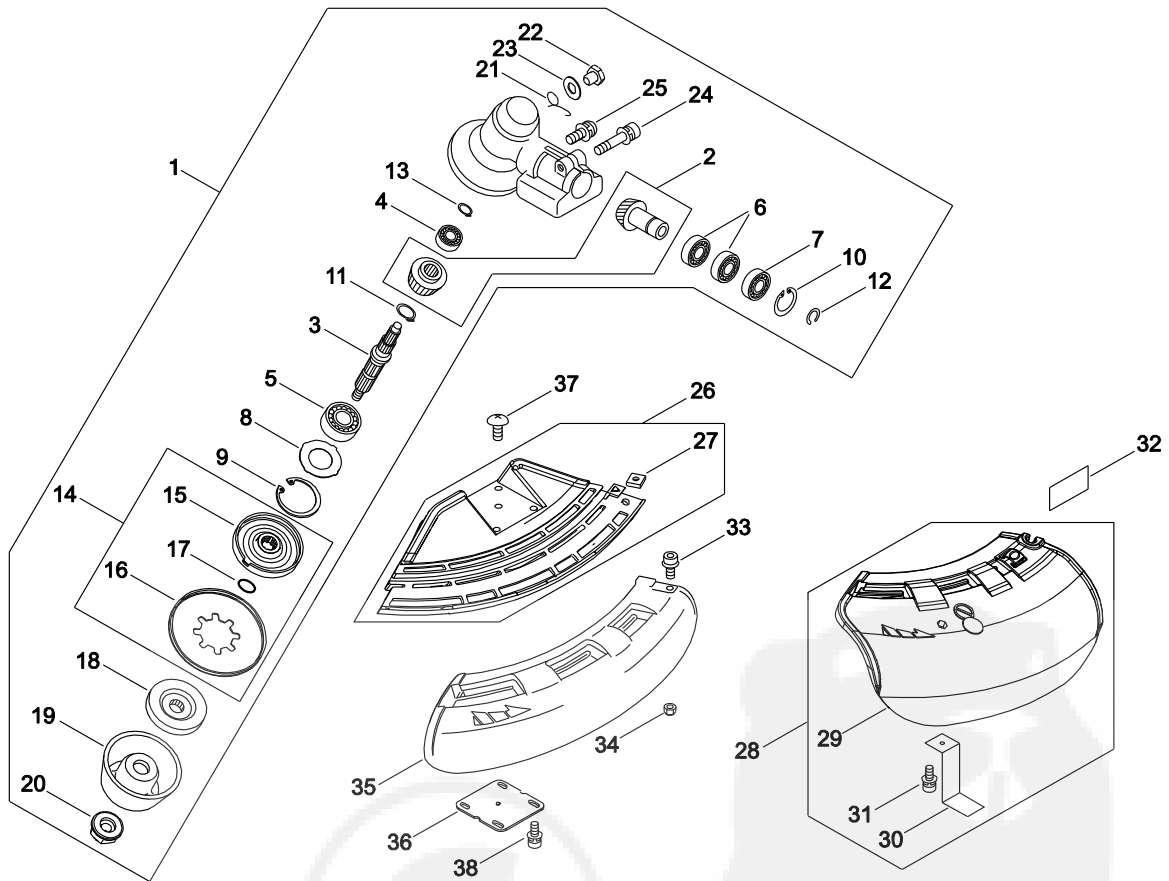
KEY	LV	PART NUMBER	Q'TY	DESCRIPTION	REMARKS	NOTE1	NOTE2
1		A051-003060	1	STARTER,RECOIL			
2	+	P022-039840	1	STATER CASE			
3	+	P022-008470	1	DRUM			
4	+	P022-008460	1	PLATE, CAM			
5	+	P022-008450	1	SPRING,DAMPER			
6	+	177220-40630	1	SPRING, REWIND			
7	+	177236-61830	1	SCREW			
8	+	P022-008440	1	ROPE, STARTER	3.5*900		
9	+	177228-27030	1	GRIP, STARTER			
10	+	P022-037670	1	STOPPER, ROPE			
11		A052-000190	1	PULLEY,ASM STARTER			
12	+	P022-008480	2	PAWL, STARTER			
13	+	177234-40630	2	SPRING, RETURN			
14	+	P022-002100	2	E-RING	4		
15		900502-00008	1	NUT 8 (3N)	3N8		
16		91121-05016	4	BOLT, FLANGE	10.9 SILVER		
17		X562-000090	1	LABEL,SHINDAIWA	T335TS		

10. GEAR CASE, SHIELD



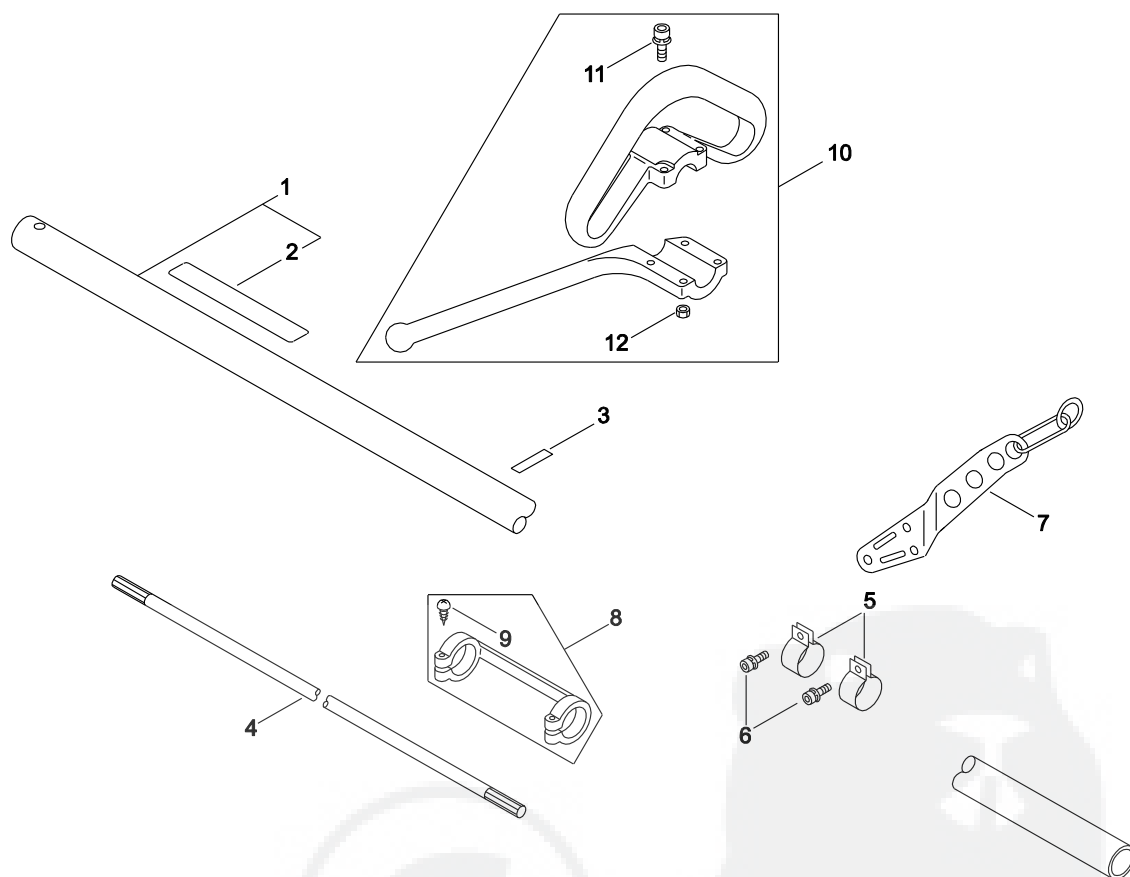
KEY	LV	PART NUMBER	Q'TY	DESCRIPTION	REMARKS	NOTE1	NOTE2
1		P021-035820	1	HOUSING ASY,GEAR			
2	+	V000-000110	1	GEAR SET, BEVEL			
3	+	C534-000940	1	SHAFT, GEAR	M10		
4	+	900810-00629	1	BEARING, BALL 629			
5	+	900812-06302	1	BEARING, BALL	BB6302 LLU,DDU		
6	+	900855-06900	2	BEARING, BALL 6900	6900		
7	+	900858-06900	1	BEARING, BALL 6900Z	6900Z		
8	+	V313-000090	1	WASHER,CIRCULAR 20			
9	+	900702-00042	1	CIRCLIP 42	CR-42		
10	+	900702-00022	1	CIRCLIP 22	CR-22		
11	+	900706-00012	1	CIRCLIP 12	WR-12		
12	+	900706-00010	1	CIRCLIP 10	WR-10		
13	+	900701-00009	1	CIRCLIP 9	CS-9		
14	+	C535-000920	1	FIXTURE, BLADE			
15	++	C535-000930	1	FIXTURE, BLADE			
16	++	610352-56830	1	PLATE, CUP			
17	++	900720-00012	1	O-RING 12	P-12		
18	+	610314-52130	1	PLATE, ADAPTER (L)			
19	+	699229-56830	1	PLATE, COVER			
20	+	610320-52130	1	NUT 10			
21	+	V452-001310	1	SPRING,TORSION			
22	+	610434-50031	1	BOLT 8* 8	M8*8		
23	+	900603-50008	1	WASHER	8.5*18*0.8T		
24	+	91118-06025	1	BOLT			

10. GEAR CASE, SHIELD



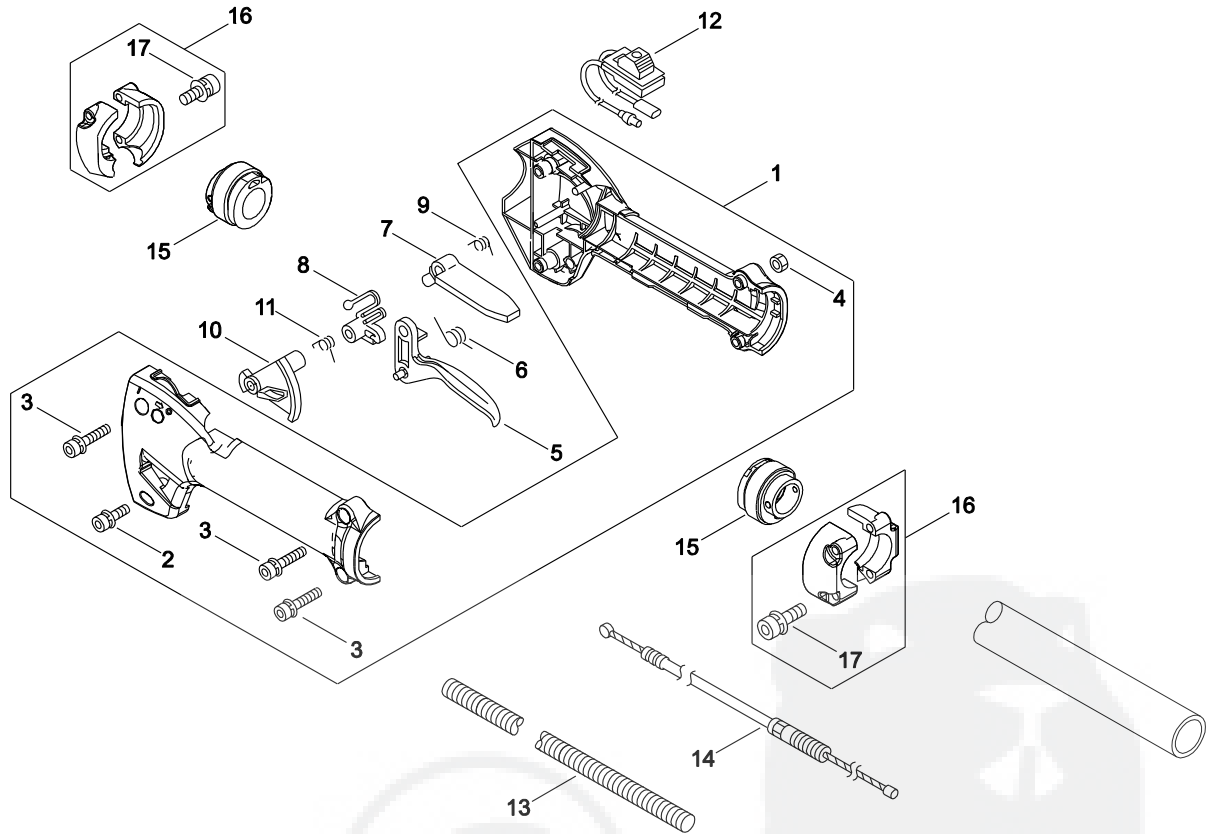
KEY	LV	PART NUMBER	QTY	DESCRIPTION	REMARKS	NOTE1	NOTE2
25	+	900242-05010	1	SCREW 5*10			
26		C550-000501	1	SHIELD, BLADE			
27	+	900565-00005	1	NUT	5		
28		P021-034375	1	SHIELD KIT			
29	+	C550-000560	1	SHIELD, BLADE			
30	+	C554-000030	1	KNIFE, CORD	17INCH		
31	+	91118-05018	1	BOLT			
32		X524-005230	1	LABEL	HIGH TORQUE		
33		91121-05025	1	BOLT, FLANGE	10.9 SILVER		
34		900562-00005	1	NUT, LOCK	5		
35		C550-000541	1	SHIELD, BLADE			
36		C552-000200	1	PLATE, SHIELD			
37		91316-04010	1	SCREW	M4*10		
38		V203-001980	4	BOLT,5			

11. MAIN PIPE, HANDLE



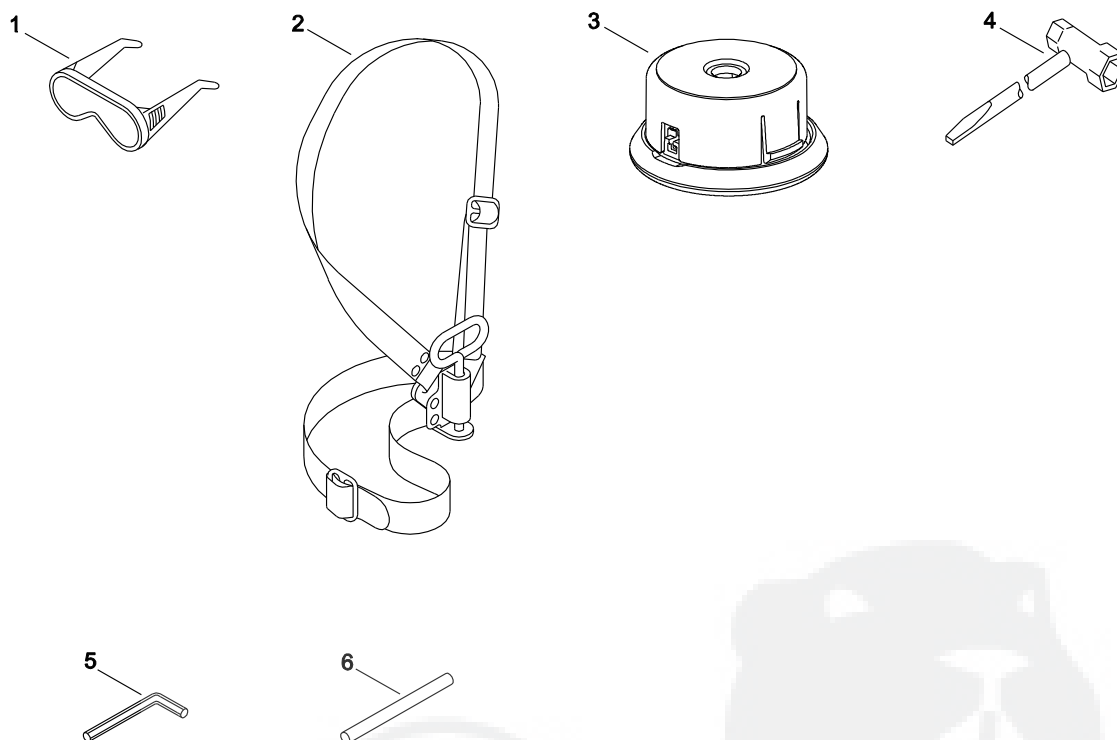
KEY	LV	PART NUMBER	Q'TY	DESCRIPTION	REMARKS	NOTE1	NOTE2
1		P021-048750	1	MAIN PIPE ASY			
2	+	890617-43130	1	LABEL,CAUTION			
3		890152-04930	1	LABEL, CAUTION			
4		C504-000050	1	SHAFT,DRIVE	7*1540		
5		V495-001010	2	BAND			
6		91118-05014	2	BOLT			
7		C624-000020	1	HANGER,HARNESS			
8		610281-54131	1	COLLER			
9	+	900253-04025	2	SCREW 4*25	4*25		
10		P021-013540	1	FRONT HANDLE ASY			
11	+	91118-05035	4	BOLT			
12	+	900500-00005	4	NUT 5	5		

12. THROTTLE



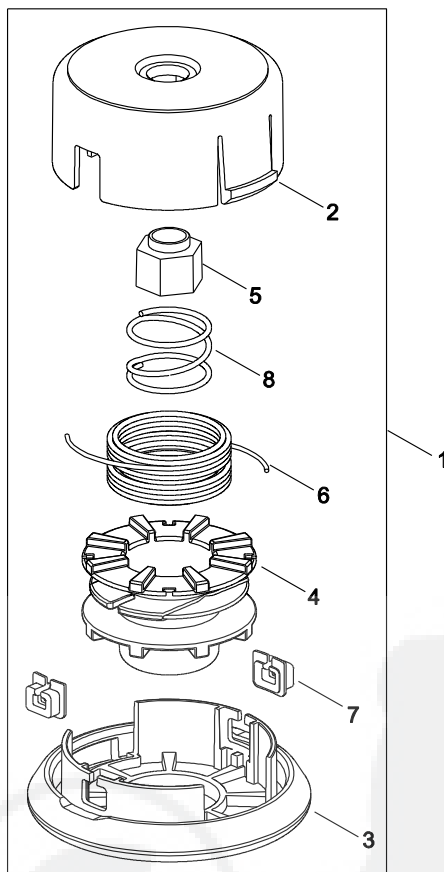
KEY	LV	PART NUMBER	Q'TY	DESCRIPTION	REMARKS	NOTE1	NOTE2
1		P021-049610	1	BRACKET SET, THROTTLE			
2	+	91119-05035	1	BOLT	CB-5*35		
3	+	91119-05025	3	BOLT	CB-5*25		
4	+	900500-00005	4	NUT 5	5		
5		C450-000780	1	TRIGGER, THROTTLE			
6		178043-42230	1	SPRING, THR. RETURN			
7		C460-000370	1	LOCKOUT, THROTTLE			
8		C461-000000	1	LATCH, THROTTLE			
9		178013-52630	1	SPRING, THR. LOCK			
10		C461-000110	1	LATCH, THROTTLE			
11		V452-000120	1	SPRING, TORSION			
12		A440-002700	1	SWITCH, ON OFF			
13		V475-003240	1	TUBE	7*45		
14		V430-000930	1	CABLE, BOWDEN			
15		V420-000960	2	CUSHION			
16		P021-012630	2	BRACKET ASM., HANDLE			
17	+	91118-05025	4	BOLT			

13. ACCESSORIES



KEY	LV	PART NUMBER	Q'TY	DESCRIPTION	REMARKS	NOTE1	NOTE2
1		X690-000080	1	GOGGLE	SI CHINA, Z87.1		
2		301001-46731	1	HARNESS, SHOULDER	L1910,L1550		
3		X047-001180	1	CUTTER,ASM LINE	Z-5/M10L		
4		X602-000020	1	TOOL,WRENCH	17*19 L200		
5		X605-000100	1	TOOL,L WRENCH	4MM M5		
6		X606-000080	1	TOOL,BAR	5*120		

14. NYLON LINE CUTTER



KEY	LV	PART NUMBER	Q'TY	DESCRIPTION	REMARKS	NOTE1	NOTE2
1		X047-001180	1	CUTTER,ASM LINE	Z-5/M10L		
2	+	P022-035000	1	HOUSING			
3	+	P022-010410	1	COVER			
4	+	P022-010400	1	BOBBIN			
5	+	P022-023180	1	NUT			
6	+	P022-010380	1	NYLON CODE			
7	+	P022-000710	2	EYELET			
8	+	P022-010370	1	SPRING			

Index

Patrs Number	Key No.	Patrs Number	Key No.	Patrs Number	Key No.
100012-16131	1 - 9	900105-05020	8 - 3	91121-05025	10 - 33
100013-27430	1 - 7	900105-05060	5 - 17	91316-04010	10 - 37
100014-53630	1 - 10	900106-05010	8 - 4	91367-04010	8 - 8
100015-03931	1 - 8	900106-05012	5 - 18	94035-36201	2 - 4
100142-12330	3 - 8	900162-05020	3 - 7	94035-36201	2 - 6
100212-03930	2 - 2	900162-05025	5 - 6	A011-000301	1 - 1
123112-40630	6 - 12	900238-05010	3 - 15	A021-001550	5 - 1
123114-40630	6 - 17	900242-05010	10 - 25	A021-001550	6 - 1
123122-05560	6 - 5	900253-04025	11 - 9	A051-003060	9 - 1
123123-03930	6 - 8	900330-40080	4 - 7	A052-000190	9 - 11
123126-10631	6 - 3	900500-00005	11 - 12	A101-000190	1 - 6
123137-19830	6 - 4	900500-00005	12 - 4	A130-000850	1 - 2
123138-03930	6 - 7	900502-00006	5 - 9	A160-003160	1 - 11
123139-05560	6 - 6	900502-00008	3 - 2	A172-002960	4 - 6
123140-27230	6 - 11	900502-00008	9 - 15	A175-000011	7 - 15
123142-03930	6 - 9	900562-00005	10 - 34	A200-000950	5 - 5
123143-12110	6 - 19	900565-00005	10 - 27	A226-000140	5 - 19
123144-44330	6 - 20	900600-00008	3 - 3	A232-001790	5 - 20
123149-54230	6 - 15	900603-50008	10 - 23	A235-000101	5 - 14
123172-45130	6 - 16	900605-00008	3 - 4	A244-000010	5 - 16
123173-07930	6 - 14	900701-00009	10 - 13	A259-000000	6 - 22
123181-39130	5 - 2	900701-00012	4 - 12	A300-000720	8 - 1
131016-55830	7 - 12	900702-00022	10 - 10	A313-000900	8 - 5
131300-56431	7 - 9	900702-00028	4 - 11	A350-000200	7 - 1
131920-55430	7 - 13	900702-00032	2 - 3	A365-000060	7 - 11
132010-22130	7 - 6	900702-00042	10 - 9	A369-000001	7 - 4
132010-53630	7 - 3	900702-00045	4 - 14	A393-000060	7 - 14
132115-55930	7 - 2	900706-00010	10 - 12	A425-000000	3 - 9
145862-40630	8 - 6	900706-00012	10 - 11	A426-000000	3 - 11
152626-55730	3 - 5	900720-00012	10 - 17	A427-000000	3 - 10
152801-55430	3 - 1	900807-06001	4 - 10	A440-002700	12 - 12
175048-05530	4 - 4	900810-00629	10 - 4	A556-000270	4 - 9
175049-56030	4 - 3	900812-06302	10 - 5	A557-000150	4 - 1
177220-40630	9 - 6	900855-06900	10 - 6	A566-000010	4 - 5
177228-27030	9 - 9	900858-06900	10 - 7	C450-000780	12 - 5
177234-40630	9 - 13	91118-05012	4 - 16	C460-000370	12 - 7
177236-61830	9 - 7	91118-05014	11 - 6	C461-000000	12 - 8
178013-52630	12 - 9	91118-05018	10 - 31	C461-000110	12 - 10
178043-42230	12 - 6	91118-05020	4 - 8	C504-000050	11 - 4
178081-55932	5 - 10	91118-05025	12 - 17	C534-000940	10 - 3
301001-46731	13 - 2	91118-05028	4 - 15	C535-000920	10 - 14
610281-54131	11 - 8	91118-05035	11 - 11	C535-000930	10 - 15
610314-52130	10 - 18	91118-06025	10 - 24	C550-000501	10 - 26
610320-52130	10 - 20	91119-05025	12 - 3	C550-000541	10 - 35
610352-56830	10 - 16	91119-05035	12 - 2	C550-000560	10 - 29
610434-50031	10 - 22	91121-05012	1 - 12	C552-000200	10 - 36
699229-56830	10 - 19	91121-05012	8 - 10	C554-000030	10 - 30
890152-04930	11 - 3	91121-05016	7 - 16	C624-000020	11 - 7
890617-43130	11 - 2	91121-05016	9 - 16	J485-000030	5 - 13

Index

Patrs Number	Key No.	Patrs Number	Key No.	Patrs Number	Key No.
P003-000100	6 - 13	V452-000120	12 - 11		
P003-000180	6 - 18	V452-001310	10 - 21		
P003-001130	6 - 21	V471-000640	5 - 3		
P003-001850	6 - 10	V471-001180	7 - 8		
P003-001950	6 - 2	V475-002240	7 - 7		
P021-012630	12 - 16	V475-003240	5 - 11		
P021-013540	11 - 10	V475-003240	12 - 13		
P021-014020	2 - 1	V475-007740	3 - 6		
P021-034375	10 - 28	V485-000230	3 - 13		
P021-035680	7 - 10	V485-000240	3 - 14		
P021-035820	10 - 1	V490-001230	7 - 5		
P021-037520	1 - 5	V491-000160	4 - 17		
P021-046970	4 - 2	V495-001010	11 - 5		
P021-048750	11 - 1	V505-000020	2 - 5		
P021-049610	12 - 1	X047-001180	13 - 3		
P021-049650	5 - 12	X047-001180	14 - 1		
P021-049660	8 - 9	X505-002310	1 - 14		
P022-000710	14 - 7	X524-005230	10 - 32		
P022-002100	9 - 14	X562-000080	1 - 13		
P022-008440	9 - 8	X562-000090	9 - 17		
P022-008450	9 - 5	X602-000020	13 - 4		
P022-008460	9 - 4	X605-000100	13 - 5		
P022-008470	9 - 3	X606-000080	13 - 6		
P022-008480	9 - 12	X690-000080	13 - 1		
P022-010370	14 - 8				
P022-010380	14 - 6				
P022-010400	14 - 4				
P022-010410	14 - 3				
P022-023180	14 - 5				
P022-035000	14 - 2				
P022-037670	9 - 10				
P022-039840	9 - 2				
V000-000110	10 - 2				
V100-000240	1 - 3				
V102-000040	2 - 7				
V103-000160	5 - 7				
V103-000430	5 - 4				
V104-000520	8 - 7				
V104-000890	8 - 2				
V141-000020	3 - 12				
V203-000160	2 - 8				
V203-000170	1 - 4				
V203-001980	10 - 38				
V313-000090	10 - 8				
V420-000640	5 - 15				
V420-000960	12 - 15				
V420-000970	4 - 13				
V430-000540	5 - 8				
V430-000930	12 - 14				

YAMABIKO CORPORATION

7-2 SUEHIROCHO 1-CHOME, OHME, TOKYO 198-8760, JAPAN
PHONE: 81-428-32-6118. FAX: 81-428-32-6145.



shindaiwa[®]



-15E
No. 07-274