



---

# Operator's Manual

---

## Model P70-12010

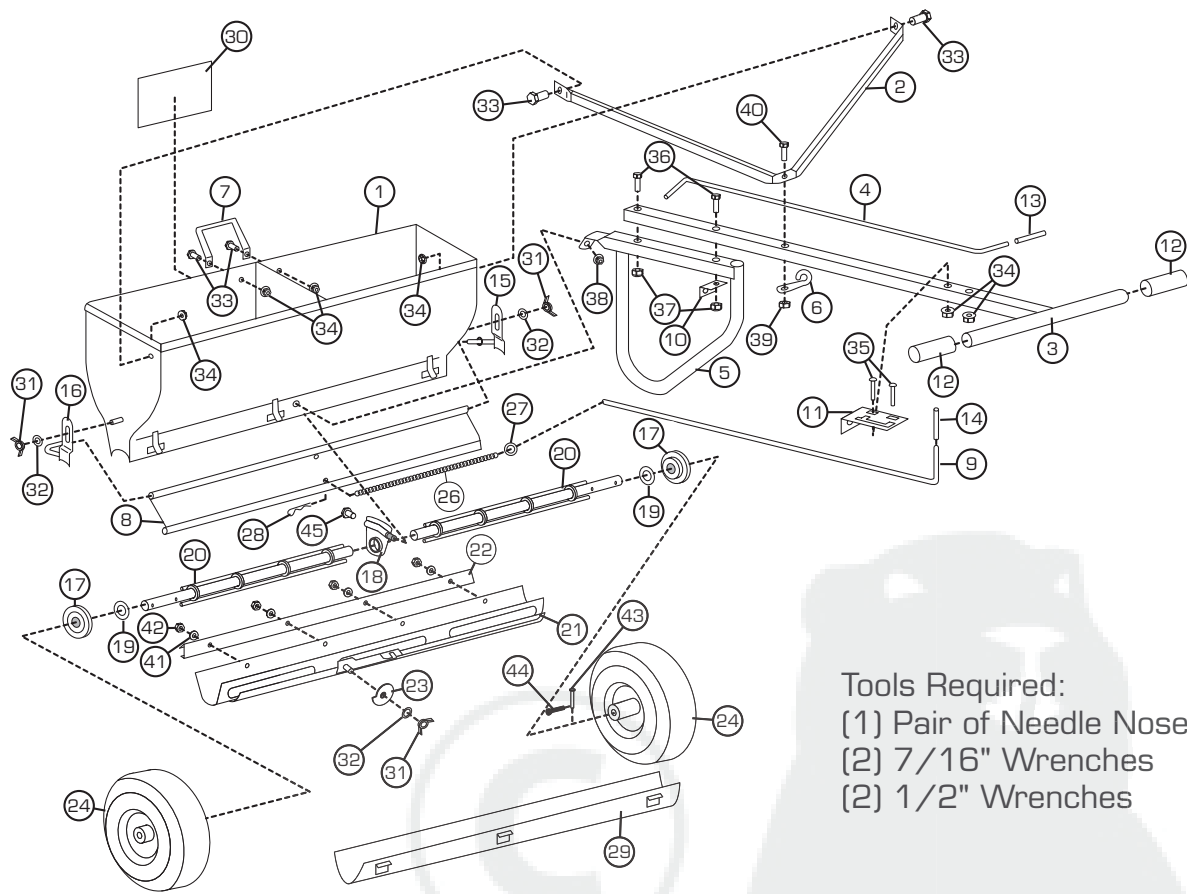
### 36" Professional Drop Spreader



**▲ IMPORTANTE** This manual contains information for the safety of persons and property. Read it carefully before assembly and operation of the equipment!

**Spyker Spreaders**  
**Contact Us at 800.972.6130**

# PARTS BREAKDOWN



Tools Required:  
 (1) Pair of Needle Nose Pliers  
 (2) 7/16" Wrenches  
 (2) 1/2" Wrenches

ITEM	PART #	DESCRIPTION	QTY
1	N/A	Hopper Body (NOT OFFERED)	1
2	1009430	Handle Brace	1
3	1009431	Handle	1
4	1009432	Rate Adjustment Lever	1
5	1009433	Parking Leg	1
6	1009434	Shutoff Lever Guide	1
7	030952	Lift Handle	1
8	034394	Spread Plate	1
9	030882	Spread Plate Shutoff Lever	1
10	092502	Shutoff Guide	1
11	020148	Lever Lock	1
12	092503	Handle Grip	2
13	017114	Shutoff Grip	1
14	092504	Lever Grip	1
15	030843	End Bearing Retainer LH	1
16	030844	End Bearing Retainer RH	1
17	017117	End Bearing	2
18	017120	Center Bearing	1
19	017118	Rotor End Washer	2
20	017119	Rotor Bar	2
21	017122	Variable Rate Bottom	1
22	017121	Slide Hanger	1

ITEM	PART #	DESCRIPTION	QTY
23	017123	Cam Gauge	1
24	1001607	13" X 5" Pneumatic Wheel	2
26	017127	#50 Sash Chain	1
27	034392	Key Ring	1
28	H-529	Hair Pin Cotter	1
29	017129	Fixed-Rate Bottom	1
30	1009435	Spyker Decal	1
31	1003315	5/16" Wingnut	3
32	45M1111P	5/16" Washer	3
33	1009436	1/4"-20 x 5/8" Hex Bolt	4
34	1004975	1/4"-20 Flange Nut	6
35	11M0824P	1/4"-20 x 1-1/2" Carriage Bolt	2
36	2M1040P	5/16"-18 x 2-1/2" Hex Bolt	2
37	B-4786	5/16"-18 Nylon Lock Nut	2
38	1009437	5/16"-18 Flange Nut	1
39	B-4785	1/4"-20 Nylon Lock Nut	1
40	2M0828SS	1/4"-20 x 1-3/4" Hex Bolt	1
41	1009438	#10 Nylon Washer	4
42	1001308	#10-24 Nylon Locknut	4
43	1009468	0.172" x 1.60" Clevis Pin	2
44		7/64" Cotter Pin	
45	2M1008P	5/16"-18 x 1/2" Bolt	1