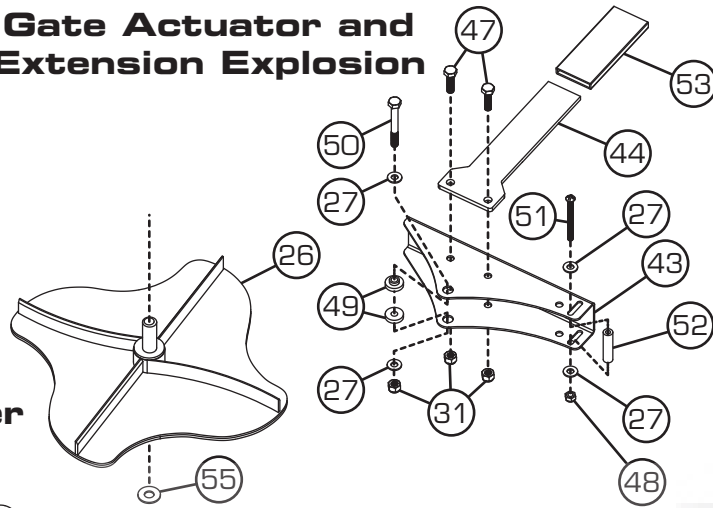
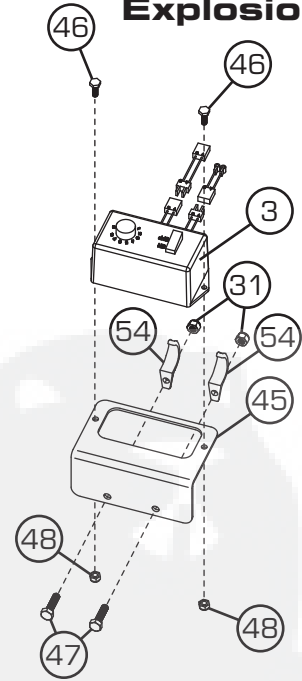




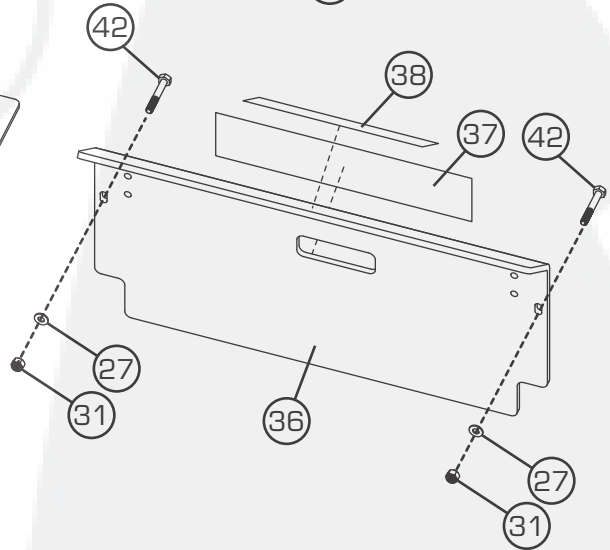
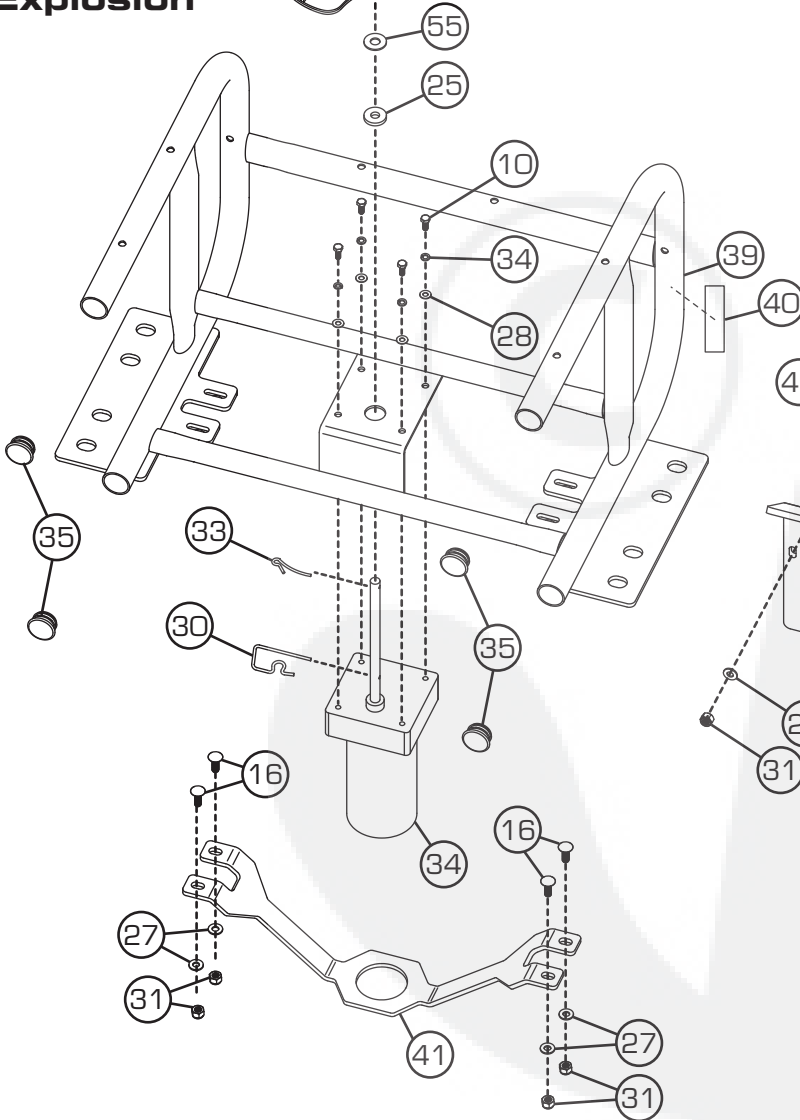
### Gate Actuator and Extension Explosion



### Speed Control Explosion



### Frame/Spinner Explosion



### Deflector Explosion

| Item | Part Number | Qty | Description                   |
|------|-------------|-----|-------------------------------|
| 1    | 1006262     | 1   | Hopper Cover                  |
| 2    | 1008720     | 1   | Screen                        |
| 3    | 1008734     | 1   | Variable Speed Control        |
| 4    | 1000203     | 1   | Hopper Bottom Bearing         |
| 5    | 1000211     | 1   | Dial Mount                    |
| 6    | 1000215     | 1   | Pine Tree Clip                |
| 7    | 1000725-01  | 1   | Rate Gate Link                |
| 8    | 1000733     | 1   | Dial                          |
| 9    | 1000766-01  | 1   | Mulch Bottom                  |
| 10   | 1001264     | 6   | #10-32 x 1/2" Bolt, SS        |
| 11   | 1001521     | 4   | Rate Gate Guide               |
| 12   | 1004880     | 6   | 1/4" x 1/2" Bolt, SS          |
| 13   | 1006084     | 2   | 1/4" x 3/4" Bolt, SS          |
| 14   | 1006147     | 1   | Accuway Diffuser              |
| 15   | 1007329     | 1   | T-Knob                        |
| 16   | 1007386     | 5   | 1/4" x 3/4" Carriage Bolt, SS |
| 17   | 1007889     | 6   | Nylon Cable Tie (Not Shown)   |
| 18   | 1008244     | 1   | Rate Gate                     |
| 19   | 1008705     | 1   | Slide Bracket                 |
| 20   | 1008706     | 1   | Slot Bracket                  |
| 21   | 1008730     | 1   | Gate Actuator Rod             |
| 22   | 1008748     | 2   | #10-32 Nylon Lock Nut, SS     |
| 23   | 1008755     | 1   | Hopper with Label             |
| 24   | 1008067     | 1   | Spyker Decal                  |
| 25   | 1000198     | 2   | Felt Washer                   |
| 26   | 1000607     | 1   | Spinner                       |
| 27   | 1001351     | 10  | 1/4" Washer, SS               |
| 28   | 1001352     | 4   | #10 Washer, SS                |
| 29   | 1001554     | 4   | Nylon Washer                  |
| 30   | 1001683     | 1   | Spinner Clip                  |
| 31   | 1005198     | 15  | 1/4"-20 Nylon Lock Nut, SS    |
| 32   | 1007005     | 4   | #10 Lock Washer, SS           |
| 33   | 1008241     | 1   | Agitator                      |
| 34   | 1008733     | 1   | Motor                         |
| 35   | 1008744     | 4   | Tube Plug                     |
| 36   | 1008756     | 1   | Deflector with Labels         |
| 37   | 1008753     | 1   | Warning Label                 |
| 38   | 1008785     | 1   | Caution Label                 |
| 39   | 1008757     | 1   | Frame with Label              |
| 40   | L-1744-6    | 1   | Spyker Serial # Label         |

| Item | Part Number | Qty | Description               |
|------|-------------|-----|---------------------------|
| 41   | 1008770     | 1   | Bumper Bar                |
| 42   | 2M0828SS    | 6   | 1/4" x 1-3/4" Bolt, SS    |
| 43   | 1008711     | 1   | Gate Actuator Bracket     |
| 44   | 1008712     | 1   | Gate Actuator Extension   |
| 45   | 1008742-10  | 1   | Controller Bracket        |
| 46   | 1001248     | 2   | #10 x 5/8" Bolt, SS       |
| 47   | 1001255     | 4   | 1/4"-20 x 1" Bolt, SS     |
| 48   | 1001308     | 3   | #10-24 Nylon Lock Nut, SS |
| 49   | 1001533     | 2   | Nylon Flange Bushing      |
| 50   | 1007888     | 1   | 1/4" x 2-1/4" Bolt, SS    |
| 51   | 1008745     | 1   | #10-24 x 2-1/4" Screw, SS |
| 52   | 1008746     | 1   | Plastic Spacer            |
| 53   | 1008747     | 1   | Grip                      |
| 54   | B-7181      | 2   | 1/2" Conduit Clamp        |
| 55   | 1008743     | 1   | Plastic Washer            |