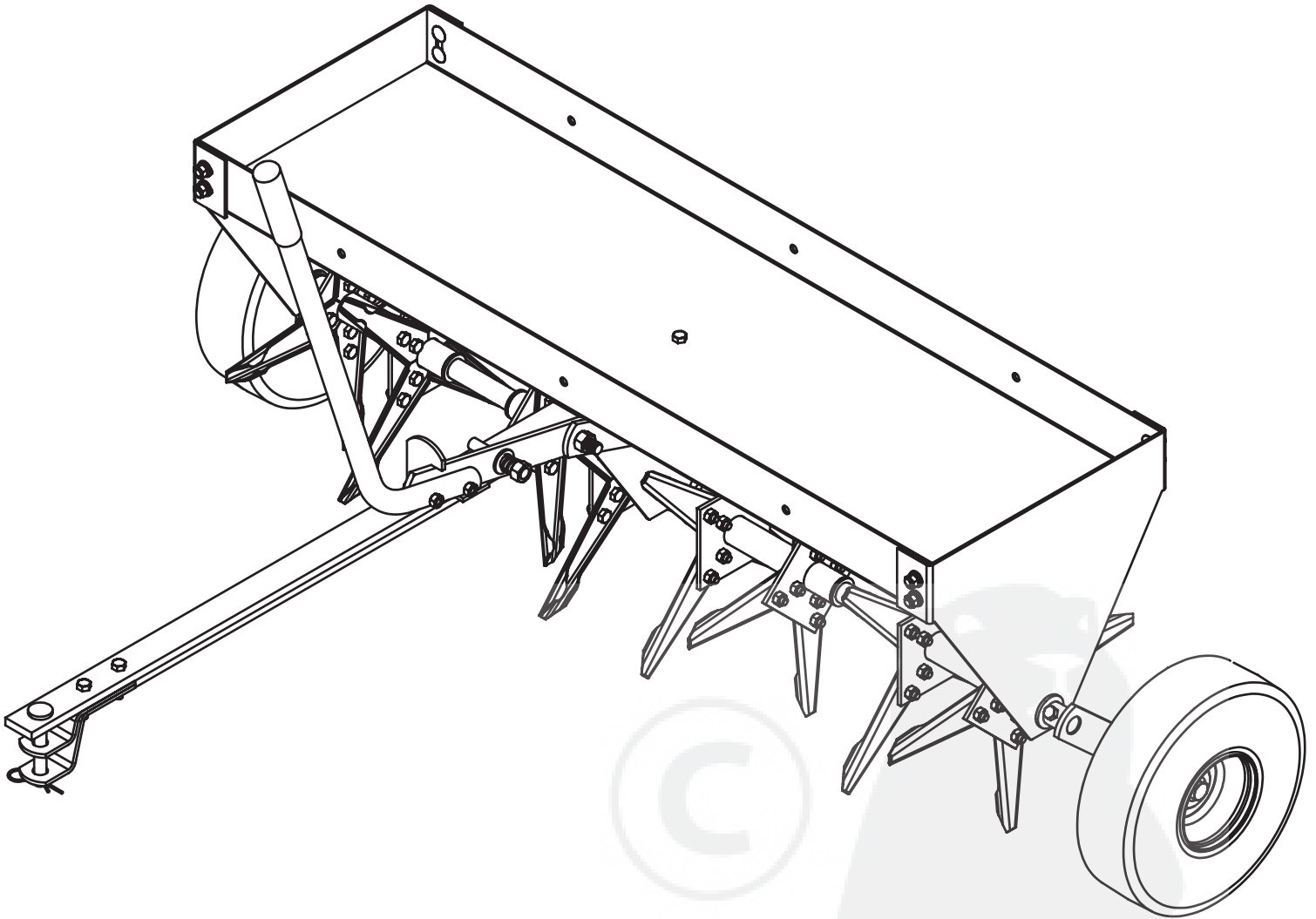


Precision



WARNING:

Before using this product, read this Manual and follow all Operating Instructions and Safety Guidelines.

**PA42 & PA42GY Assembly and Operation Manual
42 Inch Lawn Plug Aerator**

PA42 & PA42GY

Thank you for purchasing a Precision Products plug aerator.

Please read the Operating Instructions and take note of the Safety Guidelines before using the plug aerator.

SAFETY GUIDELINES

1. Your plug aerator was designed for use on rider and lawn/garden tractors.
2. Do not stand or ride on the plug aerator.
3. Never allow children to operate the tractor or the plug aerator equipment.
4. The plug aerator has sharp plug tines. Always handle with care during actual aerating use. Plug tines should be shielded when stored.
5. To avoid jack-knifing, back straight. Jack-knifing could result in damage to your equipment.
6. Repairs, adjustments, and service to your plug aerator should only occur when the aerator is disconnected from the rider and or lawn/garden tractor.
7. Never exceed the recommended operating speed range of 3 to 5 MPH to avoid personal and/or equipment damage.

ASSEMBLY

You will need two $1/2\hat{i}$ wrenches and two $3/4\hat{i}$ wrenches for assembly.

Your plug aerator has been partially pre-assembled at our factory for your convenience. First, remove all items from box. Your carton should contain the following pieces:

- Base Assembly**
- Handle / Lever Assembly**
- Tow Bar Assembly**

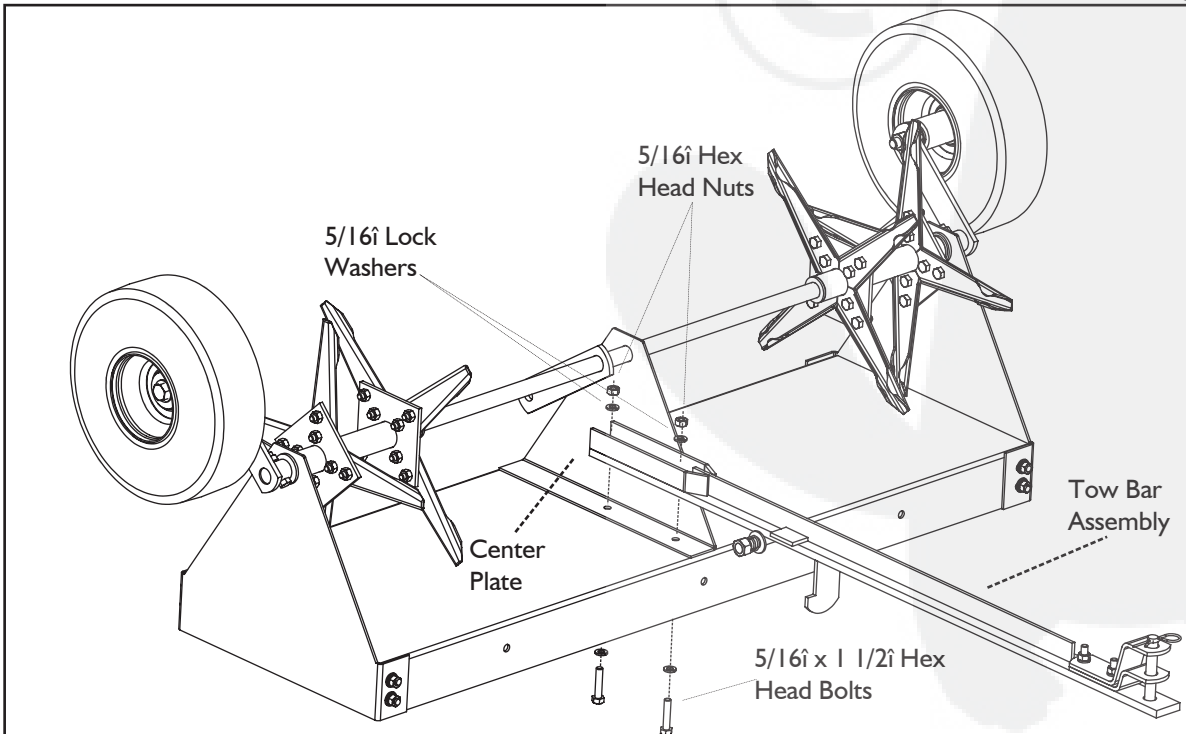
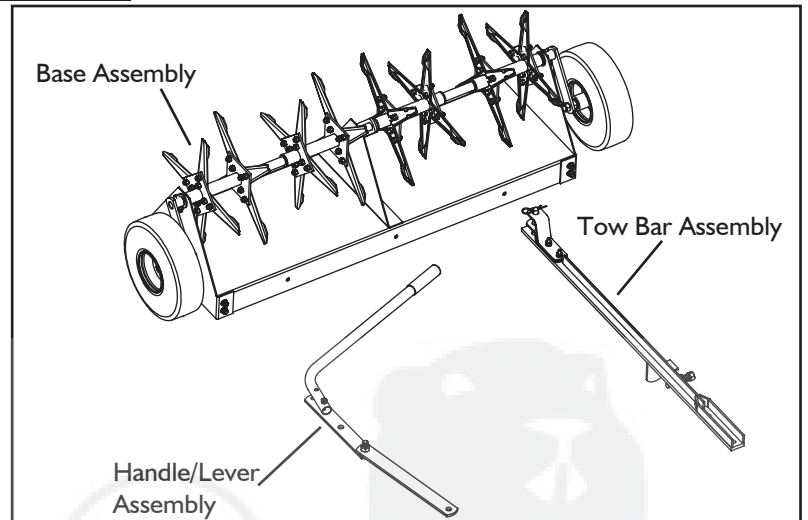
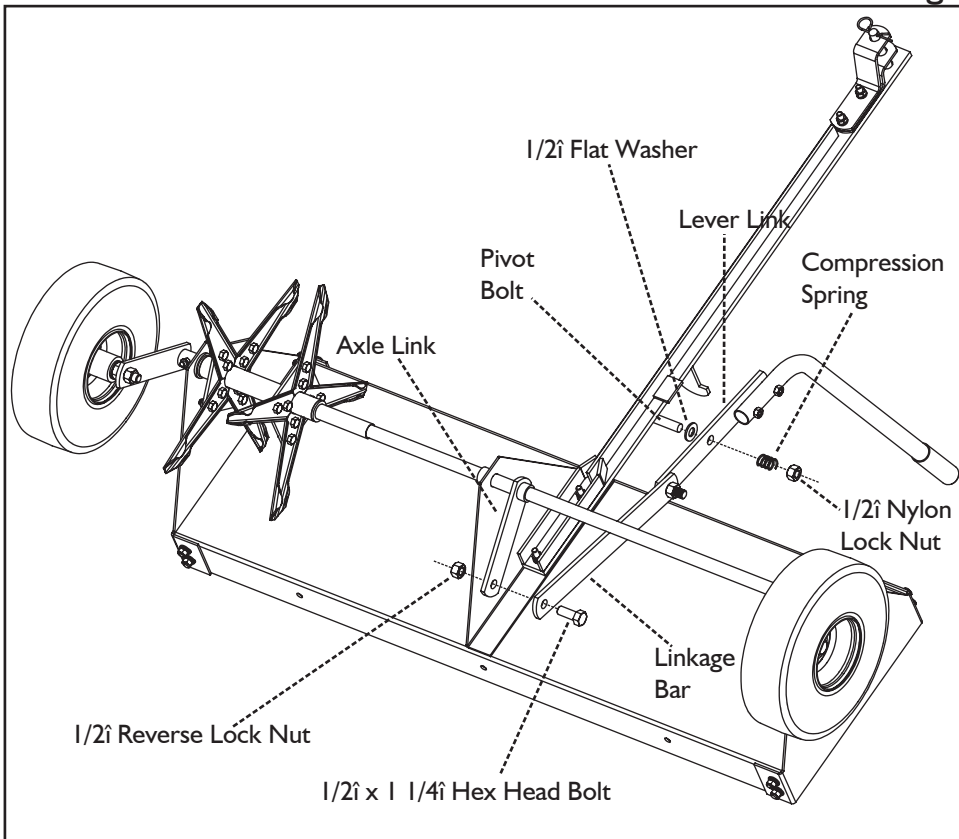


Fig. 1. Remove the $5/16\hat{i}$ Hex Head Nuts and $5/16\hat{i}$ Lock Washers from the Center Plate. Slide the Tow Bar Assembly onto the bolts and then fasten with the Lock Washers and Hex Head Nuts.

Fig. 2. Remove 1/2" Nylon Lock Nut and Compression Spring from Pivot Bolt (leave on the 1/2" Flat Washer). Slide the Lever Link onto the Pivot Bolt. Then put back on Compression Spring and 1/2" Nylon Lock Nut.



Remove 1/2" Reverse Lock Nut from the 1/2" x 1 1/4" Hex Head Bolt in the end of the Linkage Bar. Attach Linkage Bar to Axle Link and then secure with the Lock Nut.

Note: The Axle Link must be positioned toward the rear of the Base Assembly when attaching the Linkage Bar. This will position the aerator wheels toward the rear of the Base Assembly.

Tighten All Bolts

MOUNTING AND OPERATION INSTRUCTIONS

Aerating involves cutting small holes in the soil to create small reservoirs that will allow oxygen, fertilizer, and water to reach the roots. The following lawn preparation and aerator operation is recommended for optimal performance.

Mow the lawn and remove grass clippings and debris prior to use of the plug aerator. If the ground is dry or hard, water the lawn for one or two hours. Plugging is more effective when there is moisture in the ground and the soil is soft. Your plug aerator should be attached to your rider or tractor on a level surface such as a driveway or garage floor with wheels engaged (down). Once you are on the grass, have the tractor in the lowest forward speed and then disengage the wheels by moving the handle out of the locked position. This will allow the plug tines to enter the ground. Speed can be increased as conditions permit. Aeration should be done in a straight line. Overlapping passes can be done to increase the density of the spike point pattern.

DO NOT make sharp turns while the plug tines are engaged in the ground as this will damage the lawn. Weight can be placed on the top plate to increase the depth of plug tine penetration. Weight may be needed for many applications, but **DO NOT** exceed the maximum weight of 175lbs. The plate has been designed to hold concrete blocks. Secure the blocks with suitable binding material such as rubber tie down straps or wire.

DO NOT transport this plug aerator over hard surfaces, such as walks or driveways, when the wheels are disengaged. Damage to the plug tines will occur.

MAINTENANCE

Your new plug aerator is precision made utilizing the finest tools and materials. Although it is ruggedly constructed, do not subject it to misuse. Always check the nuts and bolts to insure that they are tightened. We suggest that you apply a light coat of oil to the metal to prevent rust on the tine points, the axle (the part on which the plug assemblies rotate) or any exposed metal. Always store your plug aerator in a dry area. Your plug tines can be removed for sharpening. Sharpened plug tines will allow you to maintain good soil penetration.

CUSTOMER SUPPORT

At Precision Products, Inc. delivering quality, value and outstanding service is our goal. However, sometimes parts do become damaged or lost during transport from our facilities to the store. **If you have any problems, please do not return this merchandise to the store. Call us and we will take care of any problem you may have with this unit. Phone (800) 225-5891**

When ordering parts, always give model number, part description, & part number.

Send To: Precision Products, Inc.
Parts Division
316 Limit Street
Lincoln, IL 62656

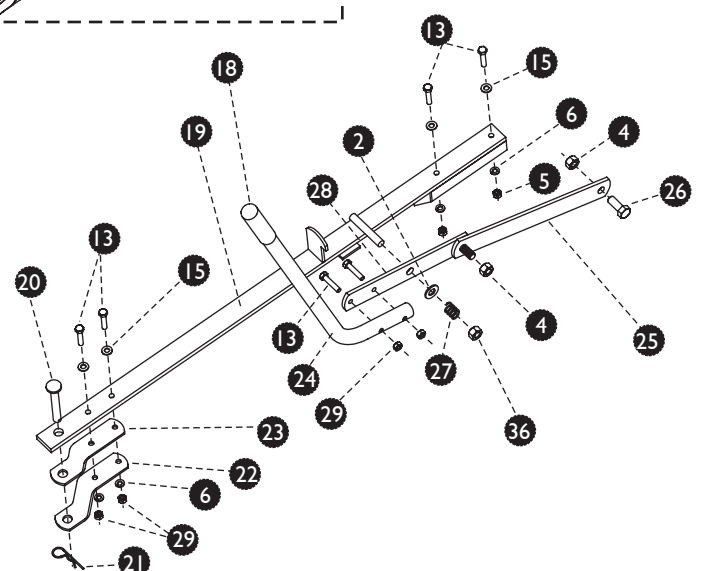
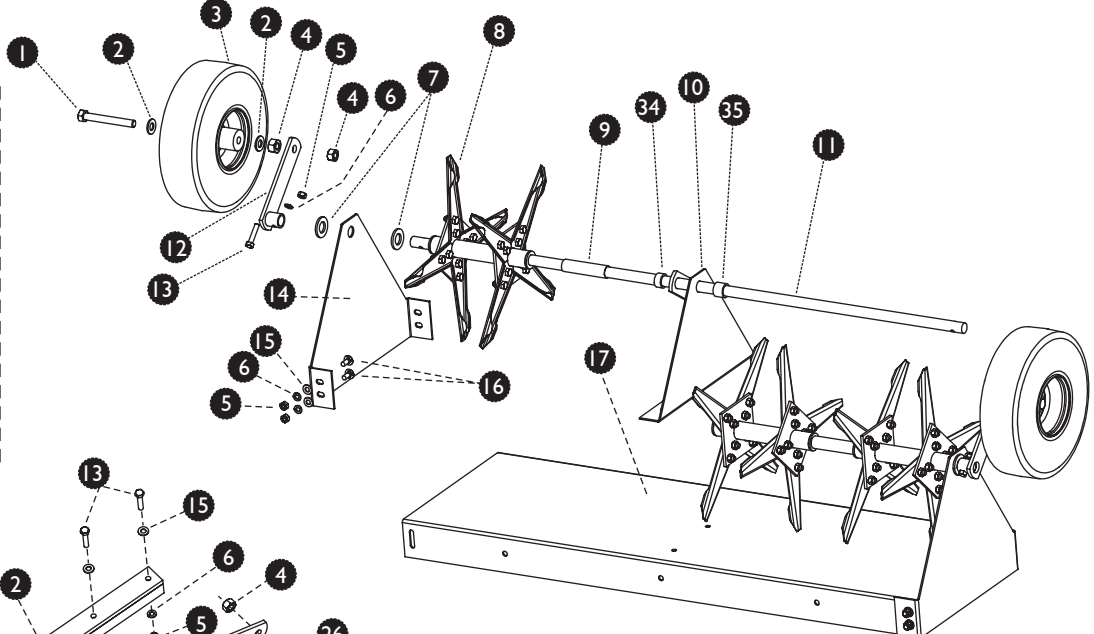
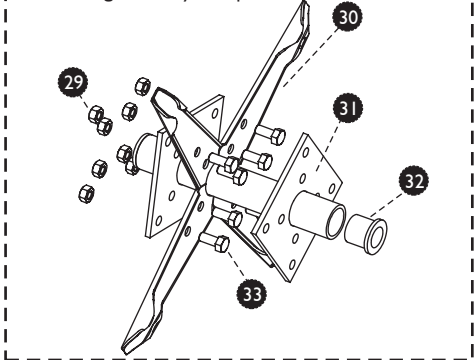
Phone (217)735-1590
Fax (217)735-2435

LIMITED WARRANTY

This unit is warranted against defects in materials and workmanship to the original purchaser, under normal use and service, for a period of ninety (90) days from date of sale. During the Warranty Period, we will repair or replace at our option free of charge to the original purchaser, any part of the Unit that our examination shows to be defective in workmanship or materials. This Warranty **Does Not** apply to damage caused by misuse, abuse, neglect, normal wear, or alterations by unauthorized persons.

PA42 & PA42G PARTS DRAWING

Aerator Plug Assembly Components



PA42 Parts List

Ref. No.	Part No.	Part Description	Part Qty.
1	4280	1/2"-13 x 4" Hex Head Bolt	2
2	1506	1/2" Flat Washer	5
3	4223	Wheel 3.5 x 4-1/2"	2
4	1638	1/2" Reverse Lock Nut	6
5	1275	5/16" Hex Head Nut	12
6	1276	5/16" Lock Washer	14
7	1264	3/4" Flat Washer	4
8	4298B	Aerator Plug Assembly	4
9	4297	1" x 3-1/2" Metal Spacer	2
10	4227B	Aerator Center Plate	1
11	4287B	Axle Assembly	1
12	4269B	Wheel Bracket Assembly	2
13	4014	5/16" x 1-1/2" Hex Head Bolt	8
14	4226B	Aerator End Plate	2
15	1044	5/16" Flat Washer	12
16	1314	5/16" x 3/4" Carriage Bolt	8
17	4225B	Aerator Top Plate	1
18	3042	1" Handle Grip	1
19	4229B	Tow Bar Weld Assembly	1
20	4279	Clevis Pin 5/8" x 3-1/2"	1
21	1042	#14 Hitch Pin Clip	1
22	4265B	Clevis #1	1
23	4266B	Clevis #2	1
24	4262B	Handle	1
25	4240B	Linkage Bar	1
26	4278	1/2"-13 x 1-1/4" Hex Head Bolt	1
27	4272	Compression Spring	1
28	4263B	Lever Link	1
29	1557	5/16" Reverse Lock Nut	68
30	4201B	Plug Tine	32
31	4202B	Aerator Spindle Assembly	4
32	4232	Oilite Bushing	8
33	1248	5/16" x 3/4" Hex Head Bolt	64
34	4295B	1 x 1/2" Metal Spacer	1
35	4296B	1 x 3/4" Metal Spacer	1
36	2311	1/2"-13 Nylon Lock Nut	1

PA42GY Parts List

Ref. No.	Part No.	Part Description	Part Qty.
1	4280	1/2"-13 x 4" Hex Head Bolt	2
2	1506	1/2" Flat Washer	5
3	4223	Wheel 3.5 x 4-1/2"	2
4	1638	1/2" Reverse Lock Nut	6
5	1275	5/16" Hex Head Nut	12
6	1276	5/16" Lock Washer	14
7	1264	3/4" Flat Washer	4
8	4298G	Aerator Plug Assembly	4
9	4297	1" x 3-1/2" Metal Spacer	2
10	4227G	Aerator Center Plate	1
11	4287G	Axle Assembly	1
12	4269G	Wheel Bracket Assembly	2
13	4014	5/16" x 1-1/2" Hex Head Bolt	8
14	4226G	Aerator End Plate	2
15	1044	5/16" Flat Washer	12
16	1314	5/16" x 3/4" Carriage Bolt	8
17	4225G	Aerator Top Plate	1
18	3042	1" Handle Grip	1
19	4229G	Tow Bar Weld Assembly	1
20	4279	Clevis Pin 5/8" x 3-1/2"	1
21	1042	#14 Hitch Pin Clip	1
22	4265G	Clevis #1	1
23	4266G	Clevis #2	1
24	4262G	Handle	1
25	4240G	Linkage Bar	1
26	4278	1/2"-13 x 1-1/4" Hex Head Bolt	1
27	4272	Compression Spring	1
28	4263G	Lever Link	1
29	1557	5/16" Reverse Lock Nut	68
30	4201G	Plug Tine	32
31	4202G	Aerator Spindle Assembly	4
32	4232	Oilite Bushing	8
33	1248	5/16" x 3/4" Hex Head Bolt	64
34	4295G	1 x 1/2" Metal Spacer	1
35	4296G	1 x 3/4" Metal Spacer	1
36	2311	1/2"-13 Nylon Lock Nut	1

GUARANTEE

The merchandise you have purchased from us has been carefully Engineered and manufactured under PRECISION PRODUCTS rigid quality standards and should give you satisfactory, dependable operation. However, like all mechanical merchandise, it may occasionally require adjustment or maintenance.