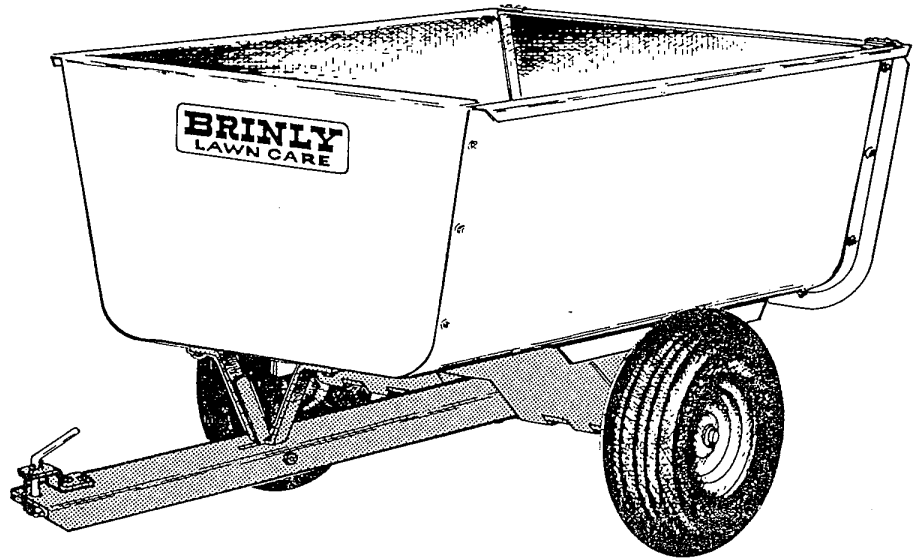


BRINLY

OWNER'S MANUAL

SERIES HDC-15 BH
MODEL HDC-150 BH
15 CUBIC FOOT CART



“IMPORTANT: THIS MANUAL CONTAINS INFORMATION FOR THE SAFETY OF PERSONS AND PROPERTY. READ IT CAREFULLY BEFORE ASSEMBLY AND OPERATION OF THE EQUIPMENT!”

“CAUTION: USE THIS CART ONLY WITH A PROPERLY POWERED TRACTOR CAPABLE OF HANDLING WEIGHTS AND LOADS AS SHOWN IN THE SPECIFICATIONS. IF UNSURE ABOUT ITS CAPABILITIES, CONSULT YOUR TRACTOR MANUFACTURER. OPERATION OF THIS CART WITH WEIGHTS EXCEEDING YOUR TRACTOR'S CAPACITY MAY CAUSE DAMAGE TO THE TRANSMISSION OR ENGINE AND MAY CAUSE DIFFICULTY IN BRAKING.”

LIMITED WARRANTY

Brinly-Hardy Company warrants only to the original retail purchaser that this product will remain free of defects in workmanship and materials under normal use and service for a period of two (2) years (NOTE: ninety (90) days for commercial or rental use) commencing with the date of purchase.

Any parts found to be defective within the warranty period will be replaced, with proof of date of purchase, at Brinly-Hardy Company's expense. Our obligation under this warranty is expressly limited to replacement or repair, at our option of parts which are defective in material or workmanship within thirty (30) days of receipt of the parts. This warranty does not apply to damage caused by unreasonable use, including failure to provide necessary maintenance, nor does it apply to any transportation or labor charges.

WE MAKE NO OTHER EXPRESS WARRANTY NOR IS ANYONE AUTHORIZED TO MAKE ANY ON OUR BEHALF. ANY IMPLIED OR STATUTORY WARRANTIES, INCLUDING ANY WARRANTY OF MERCHANTABILITY OR FITNESS FOR A PARTICULAR PURPOSE, ARE LIMITED TO THE DURATION OF THIS WRITTEN WARRANTY. WE SHALL NOT BE LIABLE FOR CONSEQUENTIAL OR INCIDENTAL DAMAGES OF ANY KIND.

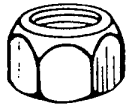
BRINLY-HARDY COMPANY (502) 585-3351

MADE IN U.S.A.

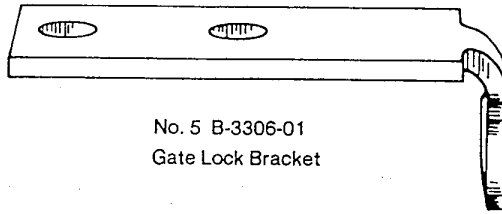
HARDWARE



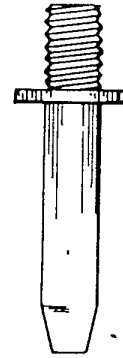
No. 23 2M1272P
Hex Head Bolt,
3/8" x 4-1/2"



No. 1 B-1675P
Hex Lock Nut, 3/8"



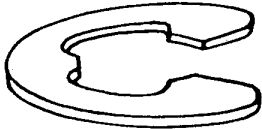
No. 5 B-3306-01
Gate Lock Bracket



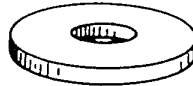
No. 6 B-3307
Gate Retainer Pin



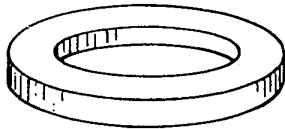
No. 12 B-3519
Handle Spacer



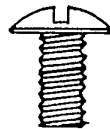
No. 18 B-4307
"E" Ring, 1"



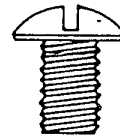
No. 21 R-618
Special Flat Washer



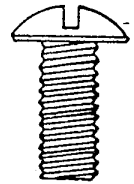
No. 22 V-886
Bushing (Axle)



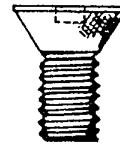
No. 24 20M0808P
Round Head Screw
1/4" x 1/2"



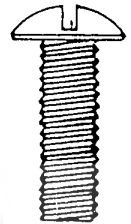
No. 25 20M1008P
Round Head Screw
5/16" x 1/2"



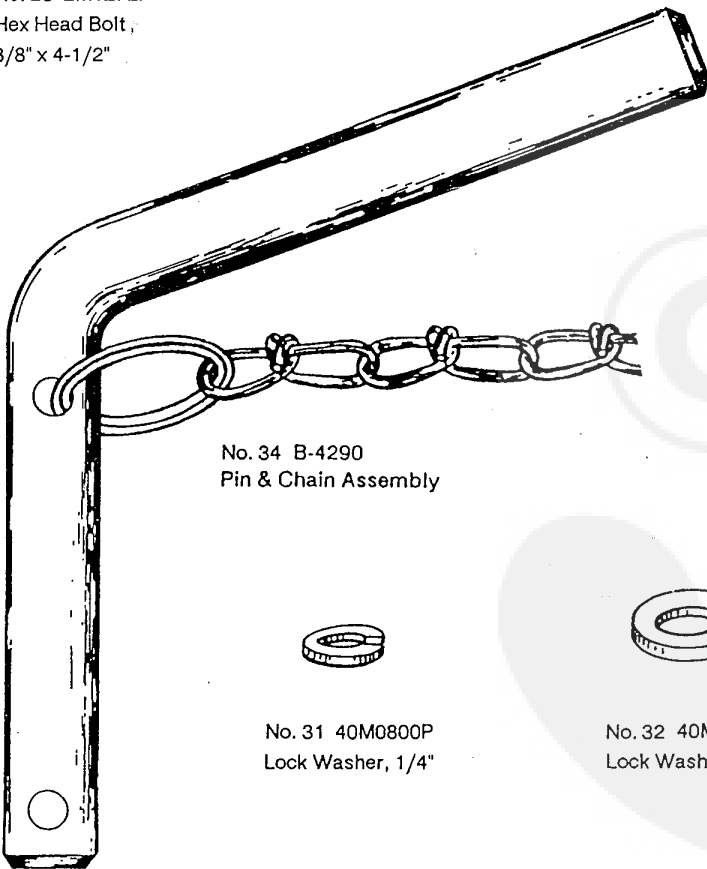
No. 26 21M1012P
Round Head Screw
5/16" x 3/4"



No. 28 26M1012P
Flat Head Screw
5/16" x 3/4"



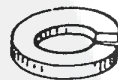
No. 27 20M1016P
Round Head Screw
5/16" x 1"



No. 34 B-4290
Pin & Chain Assembly



No. 31 40M0800P
Lock Washer, 1/4"



No. 32 40M1000P
Lock Washer, 5/16"



No. 29 30M0800P
Hex Nut, 1/4"



No. 30 30M1000P
Hex Nut, 5/16"

Refer to Fig. 2

- See illustration "A", Lay Cart on a flat surface.
- Attach the Axle Support Bracket (15) to the bottom of the Bed by inserting 5/16" x 3/4" Round Head Screws (26 - from inside Bed) through the two holes in each Bed Half and Bed Support Angle at center of Bed. Secure with 5/16" Lock Washers (32) and Hex Nuts (30). Finger tighten.
- Place one Bed Support Angle (19) under each end of Axle Support Bracket (15) and insert 5/16" x 3/4" Round Head Screws (26 - from inside Bed) through the two holes per end, then secure with 5/16" Lock washers (32) and 5/16" Hex Nuts (30). Finger tighten.
- See illustration "B", Stand Cart up, resting on previously assembled Support Angle.
- Position one End Panel (8 - with Flange facing down) inside the previously assembled Bed Halves.
- Align six holes in sides of End Panel and Bed Halves and insert 5/16" x 1/2" Round Head Screws (25 - from inside Wagon Bed), securing with 5/16" Lock Washers (32) and 5/16" Hex Nuts (30). Finger tighten.
- Place two 5/16" Lock Washers (32) inside the "Dimpled" Projections in End Panel (Between Bed Halves and End Panel) and insert a 5/16" x 1" Round Head Screw (27) through these and the Bed Halves.
- Place the Lock Bracket (13 - with notch forward) on these two screws

IMPORTANT: Make sure the two 5/16" Lock Washers remain inside the Dimpled Projections.

- Secure with two 5/16" Lock Washers (32) and two 5/16" Hex Nuts (30). Finger tighten.
- Align remaining holes in End Panel and Bed Halves and insert 5/16" x 1/2" Round Head Screws (25 - from inside of Wagon Bed), securing with 5/16" Lock Washers (32) and 5/16" Hex Nuts (30). Finger tighten.
- Lay the Cart upside down on a flat smooth surface (to insure a level bed) and securely tighten all fasteners used in Fig. 1 and Fig. 2.

WHEELS

Refer to Fig. 3

- Install one Wheel Spacer (17) on each end of Axle, then one Axle Bushing (22), a Wheel (11, with Valve Stem and Grease Fitting facing out), and another Axle Bushing (22).
- Secure each end of the Axle with 1 "E" Ring (18) in Groove at the ends of Axle.

Note: "E" Rings can be assembled to Axle using a large Pliers.

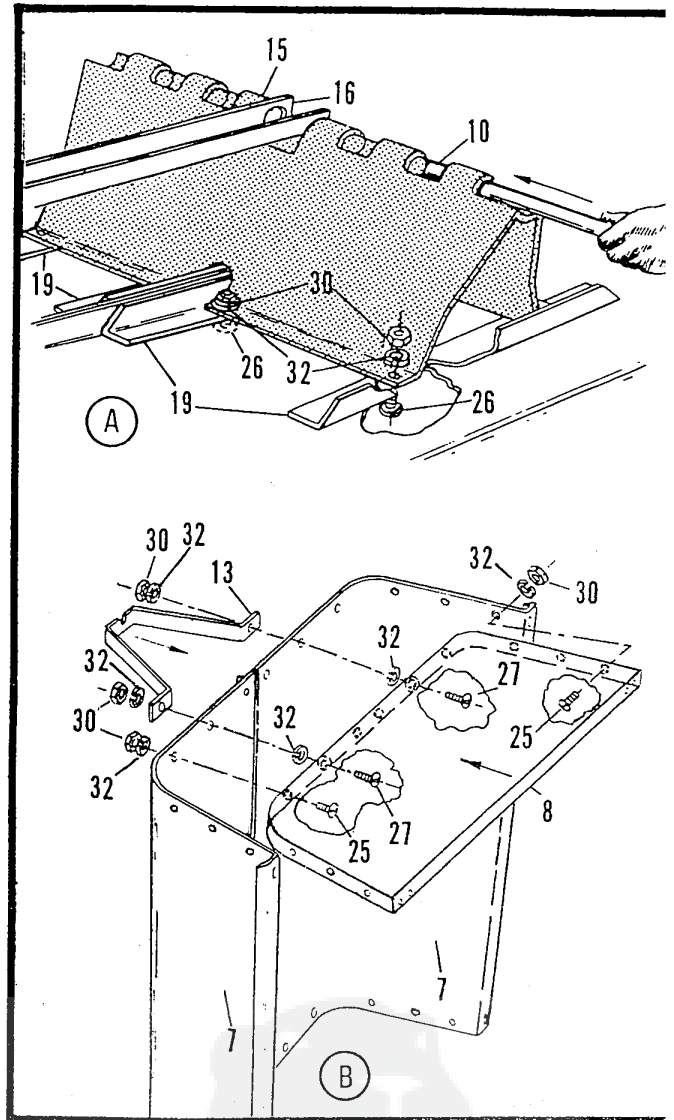


Fig. 2

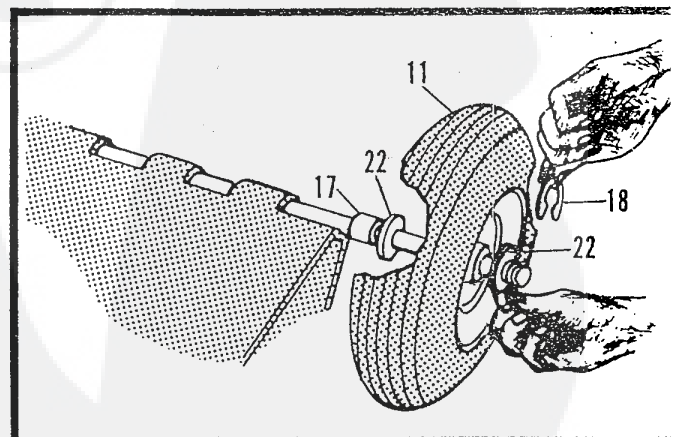


Fig. 3

END PANEL (TAILGATE)

Refer to Fig. 6

- Attach each Tailgate Lock Bracket (5) to the End Panel (tailgate) (8) with two 1/4" x 1/2" Round Head Bolts (24), 1/4" Lock Washers (31), and 1/4" Hex Nuts (29)
- Install the Gate Retainer Pins (6) through the "dimpled" holes in the bottom of the tailgate and secure with 5/16" Lock Washers (32) and 5/16" Hex Nuts (30).
- Tighten these fasteners and check all other fasteners on the Cart for tightness.
Note: If the Tailgate Lock Brackets (5) do not align with slots (in the bed halves), loosen the Retaining Bolts (24) and shift the Brackets for proper alignment. See illustration "A".
- Align the retainer pins with the matching holes in the Cart Bed and lower the End Panel until the Gate Lock Brackets engage the two slots on top of each side of bed.
- Attach the Logo Decal (14) to the Front panel (8) as shown on the Parts List on page 8.
Your Cart is now ready for use.

OPERATION

- Connect the Dump Cart to your Tractor, using the tethered Drawbar Pin.



CAUTION!!

Always Secure the pin with the Hairpin Cotter attached to Chain before transporting your Cart.

- For ease of loading and unloading the Dump Cart, it is best to have the bed of the cart as level as possible.
- When loading the Cart, distribute the weight such that the cart is slightly tail heavy, making it easy to dump.
- When hauling loose material such as dirt, rocks, etc., lock the tailgate in with the flanges toward the rear (facing outward), otherwise, it may be difficult to remove.



WARNING !

- Braking with heavy loads: When operating with heavy materials such as wet sand, dirt, or concrete, check the ability of your tractor to stop the loaded cart while on a slight incline before attempting to brake on a steep incline. Depending upon your tractor's size and the type of brakes, a fully loaded cart may overpower your tractor.

MAINTENANCE

Note: Your Dump Cart is essentially maintenance free. However, as with any steel product, it can rust.

- For rust on bed or frame parts, sand lightly and coat with enamel.

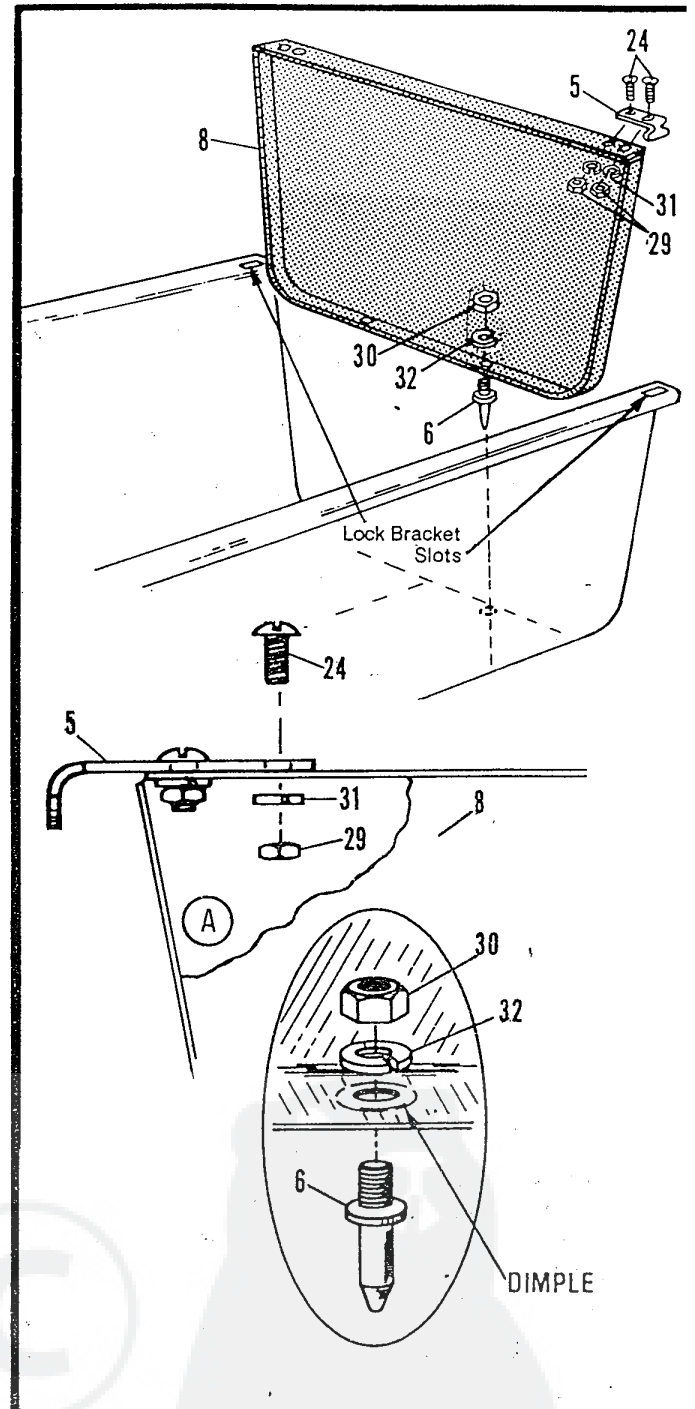


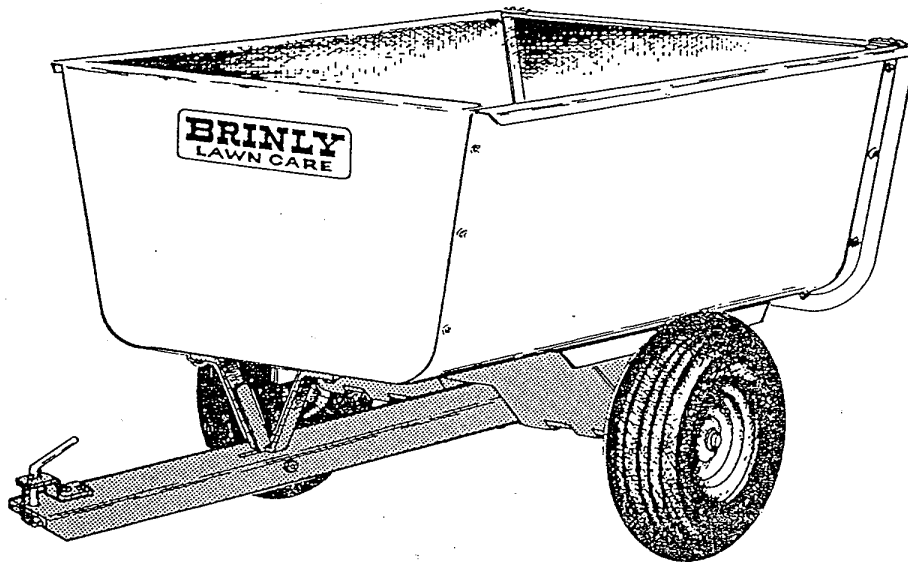
Fig. 6

- For rust on Axle, remove Wheels, sand lightly and apply a light coat of axle grease or heavy oil and replace Wheels.
- Periodically grease your Cart's Wheels through the grease fitting provided, with standard Axle Grease.
- Periodically check tightness of all fasteners.
- For long life, store the Cart in a dry area.
- Maintain proper tire pressure (28 P.S.I.) at all times.

BRINLY

OWNER'S MANUAL

SERIES HDC-15 BH
MODEL HDC-150 BH
15 CUBIC FOOT CART



"IMPORTANT: THIS MANUAL CONTAINS INFORMATION FOR THE SAFETY OF PERSONS AND PROPERTY. READ IT CAREFULLY BEFORE ASSEMBLY AND OPERATION OF THE EQUIPMENT!"

"CAUTION: USE THIS CART ONLY WITH A PROPERLY POWERED TRACTOR CAPABLE OF HANDLING WEIGHTS AND LOADS AS SHOWN IN THE SPECIFICATIONS. IF UNSURE ABOUT ITS CAPABILITIES, CONSULT YOUR TRACTOR MANUFACTURER. OPERATION OF THIS CART WITH WEIGHTS EXCEEDING YOUR TRACTOR'S CAPACITY MAY CAUSE DAMAGE TO THE TRANSMISSION OR ENGINE AND MAY CAUSE DIFFICULTY IN BRAKING."

LIMITED WARRANTY

Brinly-Hardy Company warrants only to the original retail purchaser that this product will remain free of defects in workmanship and materials under normal use and service for a period of two (2) years (NOTE: ninety (90) days for commercial or rental use) commencing with the date of purchase.

Any parts found to be defective within the warranty period will be replaced, with proof of date of purchase, at Brinly-Hardy Company's expense. Our obligation under this warranty is expressly limited to replacement or repair, at our option of parts which are defective in material or workmanship within thirty (30) days of receipt of the parts. This warranty does not apply to damage caused by unreasonable use, including failure to provide necessary maintenance, nor does it apply to any transportation or labor charges.

WE MAKE NO OTHER EXPRESS WARRANTY NOR IS ANYONE AUTHORIZED TO MAKE ANY ON OUR BEHALF. ANY IMPLIED OR STATUTORY WARRANTIES, INCLUDING ANY WARRANTY OF MERCHANTABILITY OR FITNESS FOR A PARTICULAR PURPOSE, ARE LIMITED TO THE DURATION OF THIS WRITTEN WARRANTY. WE SHALL NOT BE LIABLE FOR CONSEQUENTIAL OR INCIDENTAL DAMAGES OF ANY KIND.

BRINLY-HARDY COMPANY (502) 585-3351

MADE IN U.S.A.

CONGRATULATIONS on your purchase of this Brinly Attachment. It has been designed, engineered, and manufactured to give you the best possible dependability and performance.

Please read and retain this manual. The instructions will enable you to assemble and maintain your Attachment properly. Always observe the "SAFETY RULES".

Should the need ever exist for repair parts, order through most any Lawn and Garden dealer, using part number and description.



RULES FOR SAFE OPERATION

- Know controls and how to stop quickly, READ THE OWNER'S MANUAL.
- Do not allow children to operate the vehicle, do not allow adults to operate without proper instruction or without having read the owner's manual.
- Do not carry passengers. Keep children and pets a safe distance away.
- Always wear substantial footwear. Do not wear loose fitting clothing that can get caught in moving parts.
- Keep your eyes and mind on your tractor/attachment and area being covered. Do not let other interest distract you.
- Stay alert for holes in the terrain and other hidden hazards.
- Do not drive close to creeks, ditches and public highways.
- Watch out for traffic when crossing or near roadways.
- When using any attachments, don't allow anyone near the vehicle while in operation.
- Keep the vehicle and attachments in good operating condition and keep safety devices in place.
- Keep all nuts, bolts and screws tight to be sure the equipment is in safe working condition.
- The vehicle and attachments should be stopped and inspected for damage after striking a foreign object. The damage should be repaired before restarting and operating the equipment.
- See tractor equipment owner's manual for safe operation of the equipment.



LOOK FOR THIS SYMBOL TO POINT OUT IMPORTANT SAFETY PRECAUTIONS, IT MEANS - ATTENTION! BECOME ALERT! YOUR SAFETY IS INVOLVED.



WARNING !

- DO NOT tow your Cart with a car or truck.
- Maximum load weight for Cart is restricted to 1350 pounds.
- DO NOT tow other equipment behind the Cart.
- Check brake performance before encountering steep grades with loaded Cart.
- Avoid steep slopes with loaded Cart.
- Operate your Cart only as designed - for off road use.
- DO NOT permit children on or around the Cart while in operation.
- Always operate your Cart within the speed limit for which it was designed (Max. 5 M.P.H.).

CUSTOMER RESPONSIBILITIES

- Read and observe the "SAFETY RULES".
- Follow a regular schedule in maintaining, caring for, and using your Attachment.

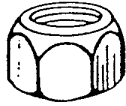
TABLE OF CONTENTS

WARRANTY.....	1	OPERATION.....	7
SAFETY RULES.....	2	MAINTENANCE.....	7
HARDWARE.....	3	REPAIR PARTS.....	8
ASSEMBLY.....	4-7		

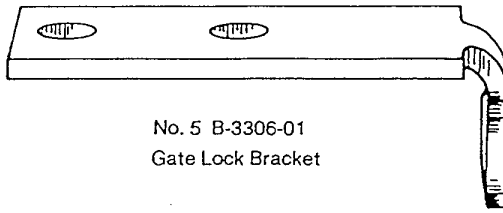
HARDWARE



No. 23 2M1272P
Hex Head Bolt,
3/8" x 4-1/2"



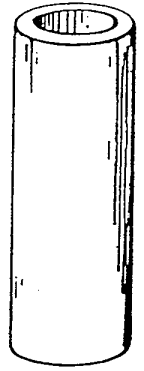
No. 1 B-1675P
Hex Lock Nut, 3/8"



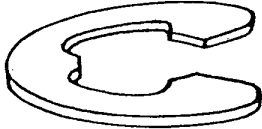
No. 5 B-3306-01
Gate Lock Bracket



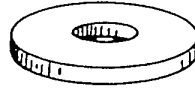
No. 6 B-3307
Gate Retainer Pin



No. 12 B-3519
Handle Spacer



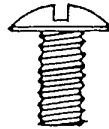
No. 18 B-4307
"E" Ring, 1"



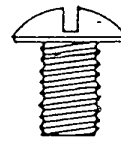
No. 21 R-618
Special Flat Washer



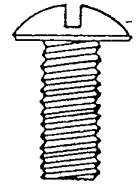
No. 22 V-886
Bushing (Axle)



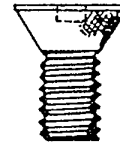
No. 24 20M0808P
Round Head Screw
1/4" x 1/2"



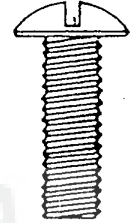
No. 25 20M1008P
Round Head Screw
5/16" x 1/2"



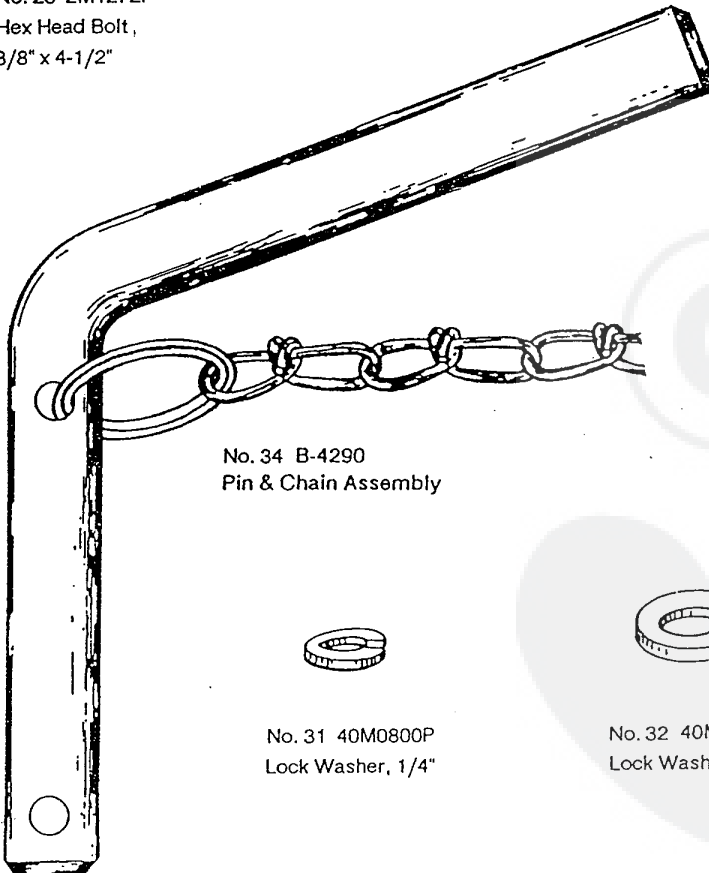
No. 26 21M1012P
Round Head Screw
5/16" x 3/4"



No. 28 26M1012P
Flat Head Screw
5/16" x 3/4"



No. 27 20M1016P
Round Head Screw
5/16" x 1"



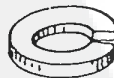
No. 34 B-4290
Pin & Chain Assembly



No. 29 30M0800P
Hex Nut, 1/4"



No. 31 40M0800P
Lock Washer, 1/4"



No. 32 40M1000P
Lock Washer, 5/16"



No. 30 30M1000P
Hex Nut, 5/16"

ASSEMBLY

NOTES:

- It is recommended that you carefully read this Owner's Manual BEFORE starting assembly of the unit.
- Fold out carton to use as a pad during assembly and arrange each kind of hardware into a group to ease assembly.
- Assemble your Cart on a flat surface.
- The Lock Nut must be used where specified. It has a slightly oblong hole and is domed on one end.
- Assemble the Cart with the screw heads located on the INSIDE of bed.
- To ease assembly, use screwdriver to align flange holes.
- Do not tighten Hardware until all Hardware is in place and Wagon Bed is upside down on a flat surface. This will insure a level cart.
- Assembly of some parts may require assistance.

TOOLS REQUIRED FOR ASSEMBLY

- 1 - Large pair of pliers (slip joint recommended).
- 1 - Screwdriver (flat)
- 2 - Medium size adjustable wrenches
or
- 1 - Adjustable wrench and set of open-end wrench
- 1 - 5/32" Allen Wrench

BED, DRAWBAR AND AXLE

Refer to Fig. 1

- Stand the bed halves (7) (with flanges touching) on end, on a smooth flat surface.
- Insert 5/16" x 1/2" Round Head screws (25) through the upper and lower holes - leave the hole in center area open.
- Secure these screws with 5/16" Lock Washers (32) and 5/16" Hex Nuts (30). Finger tighten.
- Install one Bed Support Angle (19) on the outside of each Bed Half Flange - lining up the center hole. Insert a 5/16" x 3/4" Round Head Screw (26) through hole and secure with a 5/16" Lock Washer (32) and a 5/16" Hex Nut (30).
- Tighten this screw securely.
- Attach the Support Angle (9) (with flange up) to the bed end NOT on the ground, using ten 5/16" x 3/4" Flat Head Screws (28 - From inside bed), and secure each with one Special Flat Washer (21), a 5/16" Lock Washer (32) and a 5/16" Hex Nut (30).
- FINGER TIGHTEN!

Note: DO NOT install fasteners in the two "dimpled" holes in End Panel. See illustration "A".

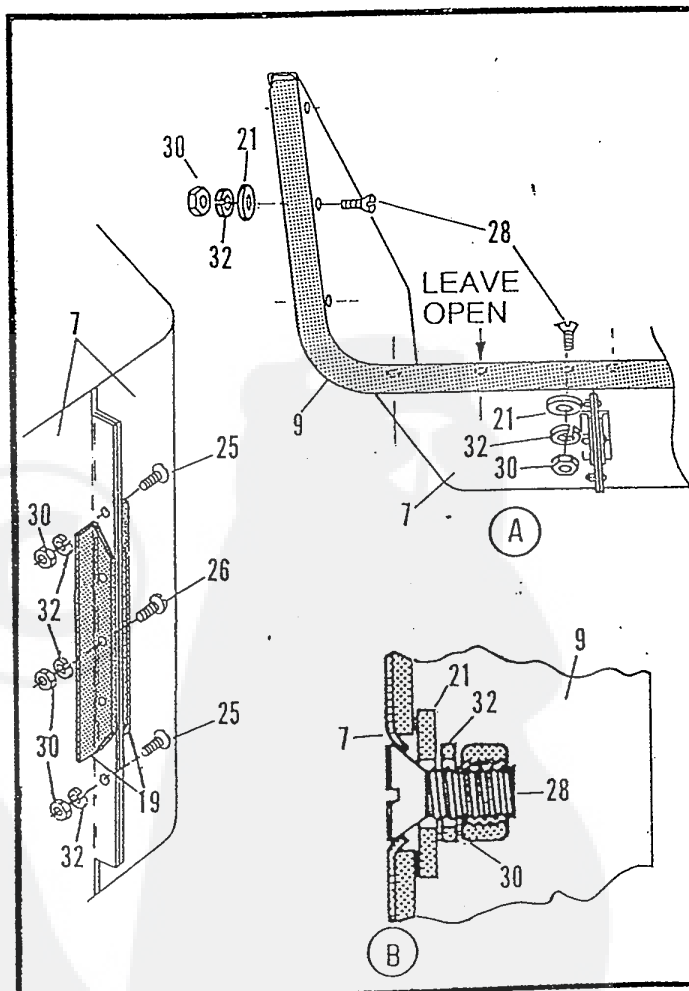


Fig. 1

Refer to Fig. 2

- See illustration "A", Lay Cart on a flat surface.
- Attach the Axle Support Bracket (15) to the bottom of the Bed by inserting 5/16" x 3/4" Round Head Screws (26 - from inside Bed) through the two holes in each Bed Half and Bed Support Angle at center of Bed. Secure with 5/16" Lock Washers (32) and Hex Nuts (30). Finger tighten.
- Place one Bed Support Angle (19) under each end of Axle Support Bracket (15) and insert 5/16" x 3/4" Round Head Screws (26 - from inside Bed) through the two holes per end, then secure with 5/16" Lock washers (32) and 5/16" Hex Nuts (30). Finger tighten.
- See illustration "B", Stand Cart up, resting on previously assembled Support Angle.
- Position one End Panel (8 - with Flange facing down) inside the previously assembled Bed Halves.
- Align six holes in sides of End Panel and Bed Halves and insert 5/16" x 1/2" Round Head Screws (25 - from inside Wagon Bed), securing with 5/16" Lock Washers (32) and 5/16" Hex Nuts (30). Finger tighten.
- Place two 5/16" Lock Washers (32) inside the "Dimpled" Projections in End Panel (Between Bed Halves and End Panel) and insert a 5/16" x 1" Round Head Screw (27) through these and the Bed Halves.
- Place the Lock Bracket (13 - with notch forward) on these two screws

IMPORTANT: Make sure the two 5/16" Lock Washers remain inside the Dimpled Projections.

- Secure with two 5/16" Lock Washers (32) and two 5/16" Hex Nuts (30). Finger tighten.
- Align remaining holes in End Panel and Bed Halves and insert 5/16" x 1/2" Round Head Screws (25 - from inside of Wagon Bed), securing with 5/16" Lock Washers (32) and 5/16" Hex Nuts (30). Finger tighten.
- Lay the Cart upside down on a flat smooth surface (to insure a level bed) and securely tighten all fasteners used in Fig. 1 and Fig. 2.

Note: It is necessary to tighten each Flat Head Screw (28) until the head is flush with the bed surface. See illustration "B", Fig. 1.

- While the Cart is upside down, lay the Drawbar (16) (with finages up) in the Axle Support Bracket (15) "cut-out" and on the Lock Bracket (13). See illustration "A".
- Line up the holes in the two flanges of Drawbar with the Axle Guides formed in the Axle Support Bracket (15).
- Guide the Axle (10) through until there is an equal amount of Axle extending from both sides of Axle Support Bracket (15).

WHEELS

Refer to Fig. 3

- Install one Wheel Spacer (17) on each end of Axle, then one Axle Bushing (22), a Wheel (11, with Valve Stem and Grease Fitting facing out), and another Axle Bushing (22).
- Secure each end of the Axle with 1 "E" Ring (18) in Groove at the ends of Axle.

Note: "E" Rings can be assembled to Axle using a large Pliers.

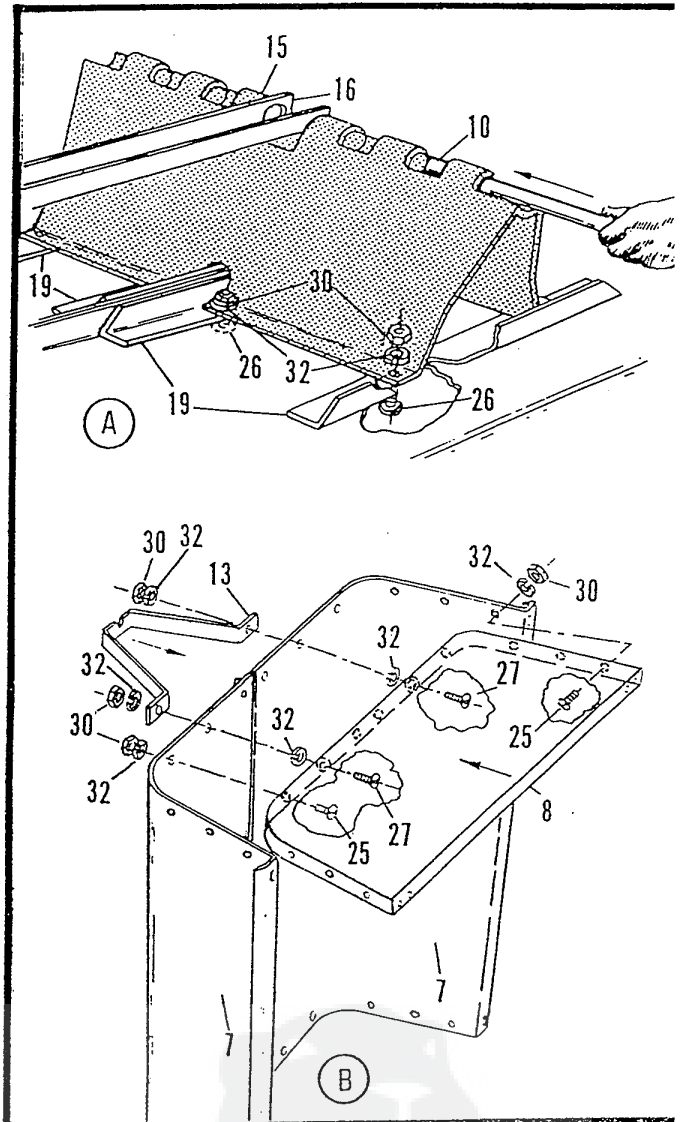


Fig. 2

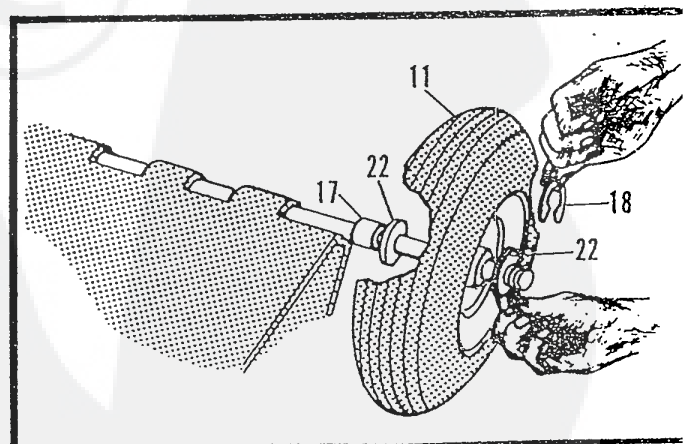


Fig. 3

LOCK BAR

Refer to Fig. 4

- Refer to illustration "A". Assemble the Lock Bar Handle (3 - with notch rearward) to the Drawbar (16) by placing the two Handle Spacers (12) inside the Handle Spring (4) coils and on either side of the Lock Bar Handle (3).
- Slide the 3/8" x 4-1/2" Hex Head Bolt (23) through the Drawbar and parts described above.
- Secure with the 3/8" Hex Lock Nut (1) as shown. Note: DO NOT overtighten!! Handle must move freely with minimum side sway.
- Lift each leg of the Handle Spring (4) up and over the side of Drawbar as shown in insert "B". Note: For proper operation, the notch in the Lock Bar must engage the notch in the Lock Bracket. See illustration "C".

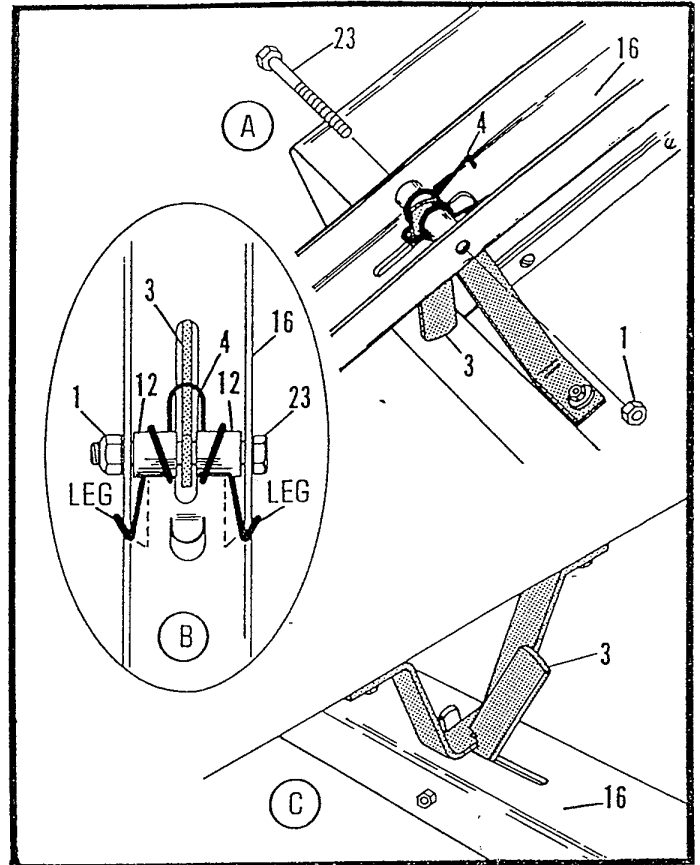


Fig. 4

DRAWBAR CLEVIS AND PIN

Refer to Fig. 5

- Turn the Cart right side up (on its wheels).
- Assemble the Clevis (2) to the Drawbar (16) using one 5/16" x 1" Round Head Screw (27) in rear hole securing with 5/16" Lock Washer (32) and 5/16" Hex Nut (30). Finger tighten.
- Insert a 5/16" x 1" Round Head Screw (27) in middle hole of Clevis (2), then slip on the "S" Hook (attached to the pin and chain assembly [34]), a Special Flat Washer (21), a 5/16" Lock Washer (32) and secure with a 5/16" Hex Nut (30).
- Now securely tighten the two 5/16" Hex Nuts on Clevis.
- Install the Pin and Chain Assembly (34) in front hole of Clevis (2) and Drawbar (16). Note: Insert the Hair Pin Cotter into the lower hole of Pin and Chain Assembly (34) before transporting loaded cart.

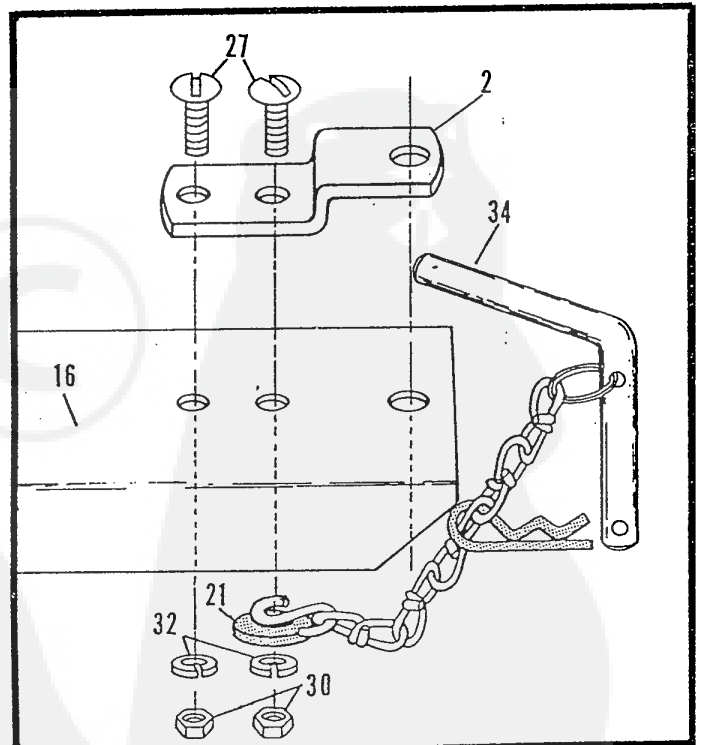


Fig. 5

END PANEL (TAILGATE)

Refer to Fig. 6

- Attach each Tailgate Lock Bracket (5) to the End Panel (tailgate) (8) with two 1/4" x 1/2" Round Head Bolts (24), 1/4" Lock Washers (31), and 1/4" Hex Nuts (29)
 - Install the Gate Retainer Pins (6) through the "dimpled" holes in the bottom of the tailgate and secure with 5/16" Lock Washers (32) and 5/16" Hex Nuts (30).
 - Tighten these fasteners and check all other fasteners on the Cart for tightness.
- Note: If the Tailgate Lock Brackets (5) do not align with slots (in the bed halves), loosen the Retaining Bolts (24) and shift the Brackets for proper alignment. See illustration "A".
- Align the retainer pins with the matching holes in the Cart Bed and lower the End Panel until the Gate Lock Brackets engage the two slots on top of each side of bed.
 - Attach the Logo Decal (14) to the Front panel (8) as shown on the Parts List on page 8.
- Your Cart is now ready for use.

OPERATION

- Connect the Dump Cart to your Tractor, using the tethered Drawbar Pin.



CAUTION!!

Always Secure the pin with the Hairpin Cotter attached to Chain before transporting your Cart.

- For ease of loading and unloading the Dump Cart, it is best to have the bed of the cart as level as possible.
- When loading the Cart, distribute the weight such that the cart is slightly tail heavy, making it easy to dump.
- When hauling loose material such as dirt, rocks, etc., lock the tailgate in with the flanges toward the rear (facing outward), otherwise, it may be difficult to remove.



WARNING !

- Braking with heavy loads: When operating with heavy materials such as wet sand, dirt, or concrete, check the ability of your tractor to stop the loaded cart while on a slight incline before attempting to brake on a steep incline. Depending upon your tractor's size and the type of brakes, a fully loaded cart may overpower your tractor.

MAINTENANCE

Note: Your Dump Cart is essentially maintenance free. However, as with any steel product, it can rust.

- For rust on bed or frame parts, sand lightly and coat with enamel.

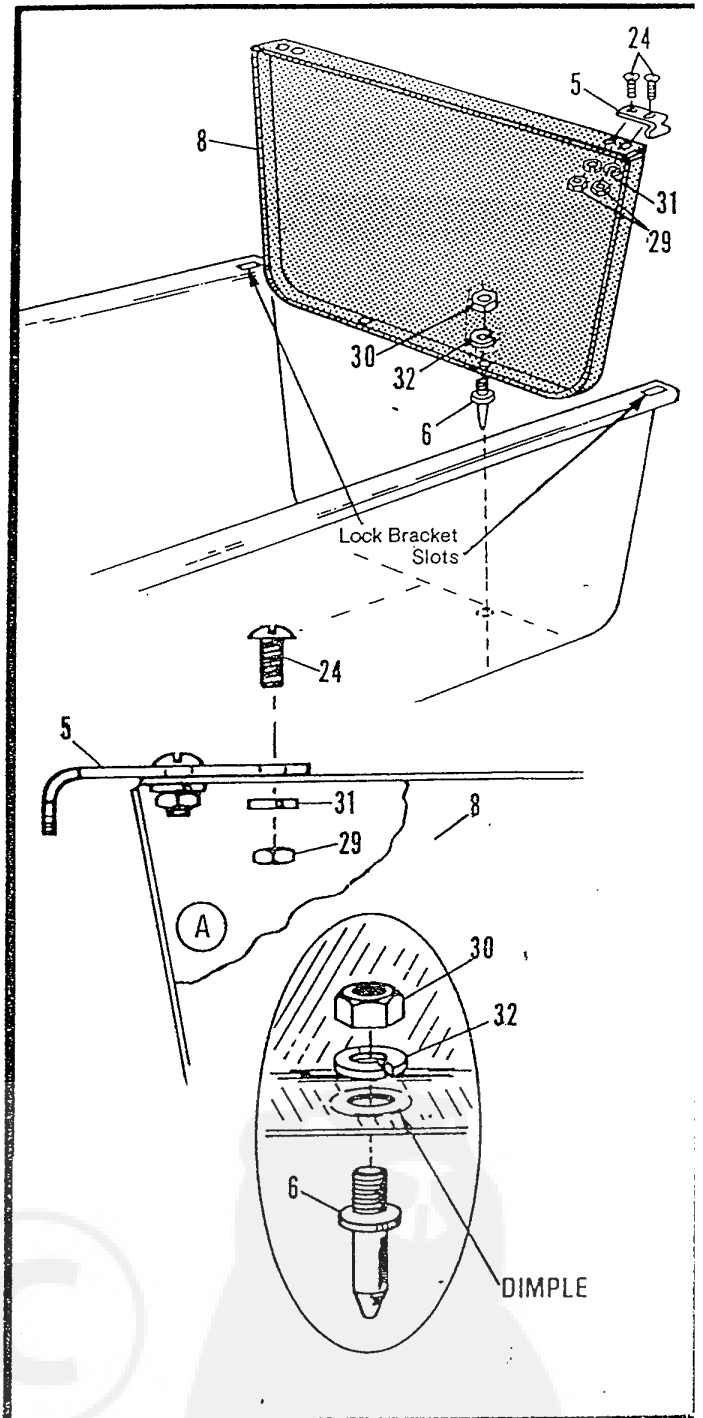
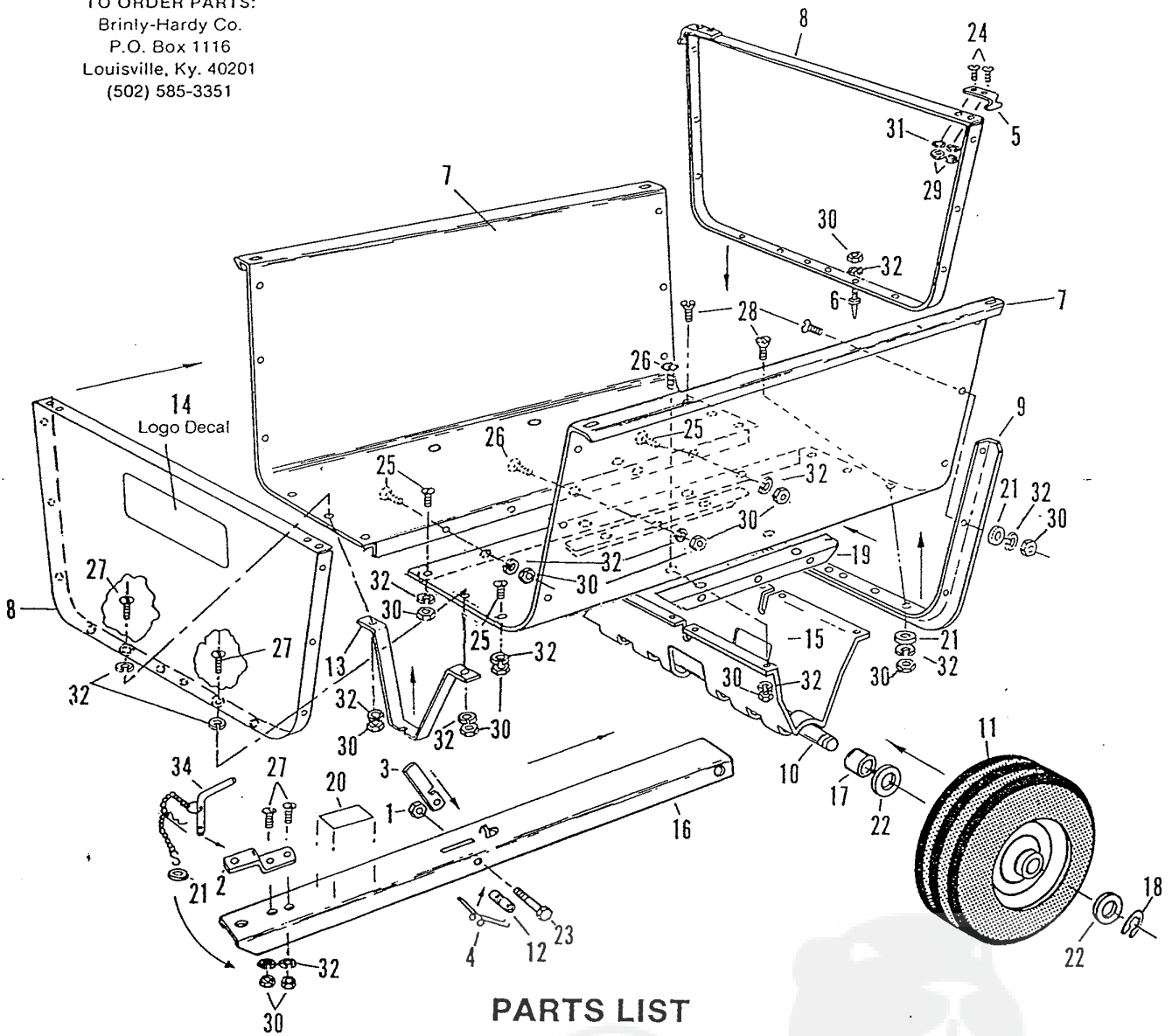


Fig. 6

- For rust on Axle, remove Wheels, sand lightly and apply a light coat of axle grease or heavy oil and replace Wheels.
- Periodically grease your Cart's Wheels through the grease fitting provided, with standard Axle Grease.
- Periodically check tightness of all fasteners.
- For long life, store the Cart in a dry area.
- Maintain proper tire pressure (28 P.S.I.) at all times.

TO ORDER PARTS:
 Brinly-Hardy Co.
 P.O. Box 1116
 Louisville, Ky. 40201
 (502) 585-3351



PARTS LIST

REF. NO.	PART NO.	DESCRIPTION	QTY.	REF. NO.	PART NO.	DESCRIPTION	QTY.
1	B-1675P	Hex Lock Nut, 3/8"	1	19	B-3590-10	Bed Support Angle	4
2	B-3034-10	Clevis	1	20	B-3605	Caution Decal	1
3	B-3301-10	Lock Bar (Handle)	1	21	R-618	Special Flat Washer	11
4	B-3303	Spring (For Handle)	1	22	V-886	Bushing (Axle)	4
5	B-3306-01	Gate Lock Bracket	2	23	2M1272P	Hex Head Bolt, 3/8" x 4-1/2"	1
6	B-3307	Gate Retainer Pin	2	24	20M0808P	Round Head Screw, 1/4" x 1/2"	4
7	B-3509-10	Bed Half, R/L	2	25	20M1008P	Round Head Screw, 5/16" x 1/2"	12
8	B-3510-10	End Panel, F/R	2	26	21M1012P	Round Head Screw, 5/16" x 3/4"	9
9	B-3512-10	Support Angle	1	27	20M1016P	Round Head Screw, 5/16" x 1"	4
10	B-4356	Axle	1	28	26M1012P	Flat Head Screw, 5/16" x 3/4"	10
11	B-3517	Wheel (28 PSI Tire Pressure)	2	29	30M0800P	Hex Nut, 1/4"	4
12	B-3519-01	Handle Spacer	2	30	30M1000P	Hex Nut, 5/16"	38
13	B-3520-10	Lock Bracket	1	31	40M0800P	Lock Washer, 1/4"	4
14	B-4687	Logo Decal	1	32	40M1000P	Lock Washer, 5/16"	40
15	B-3583-10	Axle Support Bracket	1	34	B-4290	Pin & Chain Assembly	1
16	B-3584-10	Drawbar	1				
17	B-3585	Wheel Spacer	2				
18	B-4307	"E" Ring, 1"	2				