

10 Cu. Ft. Dump Cart

LCP97 ASSEMBLY INSTRUCTIONS

9/99

ASSEMBLY

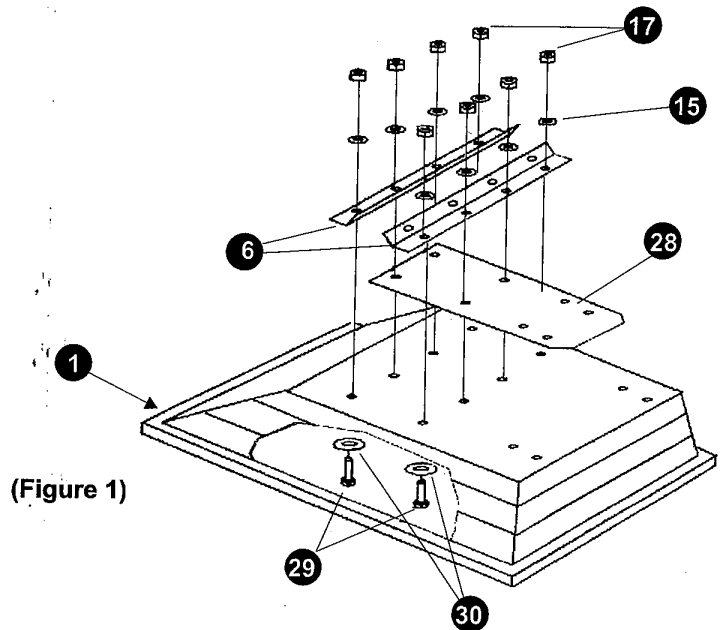
1.) Attach Carriage Plate (6) and Re-inforcing Plate (28) using 3/8" x 1-1/4" Truss Head Bolts (29) and 1/2" Flat Washers (30) from the inside of the Body (1). Secure with 3/8" Lockwashers (15) and 3/8" Nuts (17). (Figure 1)

2.) Bolt Pedestal (8) at front of Body with 5/16" Truss Head Bolts (14) and 1/2" Flat Washers (30) from inside. On the outside use 5/16" Lockwashers (31) and secure with 5/16" Nuts (32). (Figure 2)

3.) Insert 1/4" Spacer (12) through Spring (13) and large hole at bottom of Latch (11). Be sure Spring is attached to Latch as shown. Push Latch down through slot in Tow Bar (2) as shown **NOTE: Grab the Latch handle from the other side of the Tow Bar and pull down to align the Spacer with the holes in the sides of the Tow Bar.** Slide 1/4" x 3-1/2" Bolt (21) through side of Tow Bar, Washer (23), Spacer, Washer (23), and other side of Tow Bar. Secure with 1/4" Reverse Locknut (22). (Figure 3)

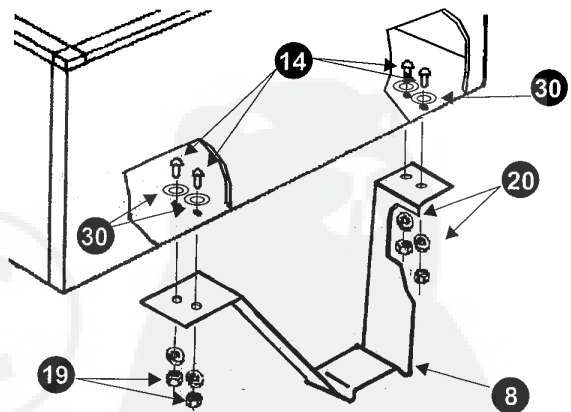
4.) Attach Clevis (10) to top of Tow Bar (2) with 5/16" Bolts (18), from bottom side of Tow Bar place 5/16" Lockwashers (20) and 5/16" Nuts (19). (Figure 4)

5. Attach Axle Supports (9) on the inside of carriage plate on bottom of Body (1). Use 3/8" Bolts (16), 3/8" Lockwashers (15), and secure with 3/8" Nuts (17). (Figure 5) Do not tighten at this time.

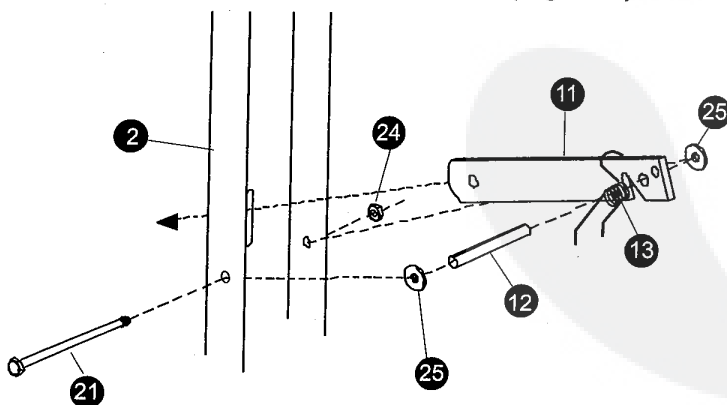


(Figure 1)

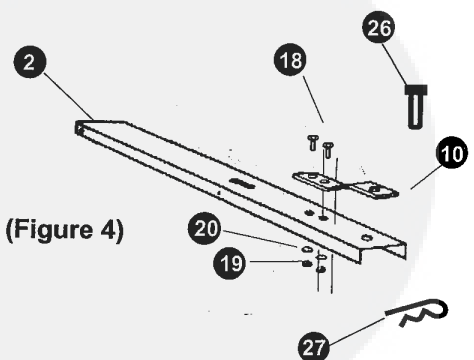
(Figure 2)



(Figure 3)



(Figure 4)



ASSEMBLY INSTRUCTIONS:

10 Cu. Ft. Dump Cart

OPERATION:

- TO DUMP - Pull latch toward mower and Cart Body will tilt back to dump position.
- TO RETURN TO PULLING POSITION - Push down on front edge of Cart Body until Latch engages and secures to Tow Bar.
- Tractor speed should be governed by weight of load. The heavier the load, the slower the speed for safe operation.

MAINTENANCE:

- Grease Wheels at regular intervals, at least every six months, more frequently if used regularly.
- Check tire pressure at regular intervals. Proper inflation will prolong life of tire.

NOTE: 650# Maximum Capacity
 Approximate weight (1) Cu. Ft.
 DIRT-150# SAND-125# GRAVEL-110#
 Max. Speed 4 MPH

WARNING OF DANGER OF IMPROPER USE OF THIS TRAILER CART. THIS UNIT IS INTENDED FOR USE ONLY WITH RIDING MOWERS OR LAWN TRACTORS. IT IS DEFINITELY NOT FOR HIGHWAY USE, BEING PULLED AT HIGH SPEEDS, OR TRANSPORTING PASSENGERS OF ANY SORT. SUCH USE COULD RESULT IN INJURIES FOR WHICH WE CANNOT BE HELD RESPONSIBLE.

Ref. No	Parts No	Description	Qty
1	4612	Plastic Body	1
2	4631P	Towbar	1
3	1252	Axle	1
4	1267	Wheel	2
5	1262	Cotter Pin	2
6	4600P	Carriage Plate	2
7	1264	3/4" Flat Washer	4
8	4630B	Pedestal	1
9	4467P	Axle Support	4
10	1243P	Clevis	1
11	1265P	Latch	1
12	4468	1/4" x 2-3/4" Spacer	1
13	4497	Spring	1
14	1586	5/16" x 3/4" Truss Hd Bolt	4
15	1274	3/8" Lockwasher	24
16	1272	3/8" Bolt	16
17	1273	3/8" Nut	24
18	1248	5/16" Bolt	2
19	1275	5/16" Nut	6
20	1276	5/16" Lockwasher	6
21	4466	1/4" x 3-1/2" Bolt	1
22	4470	3" Spacer	2
23	4471	1-1/4" Spacer	2
24	1558	1/4" Reverse Locknut	1
25	1817	1/4" Washer	2
26	1840	1/2" x 1-3/4" Clevis Pin	1
27	1042	#14 Hitch Pin Clip	1
28	4621P	Reinforcing Plate	1
29	1599	3/8" x 1-1/4" Tuss Hd Bolt	8
30	1506	1/2" Flat Washer	12

- 3.) Assemble bottom of Axle Supports (9) with eight Bolts (16), Lockwashers (15), and Nuts (17); DO NOT TIGHTEN AT THIS TIME. Slide Axle (3) through one pair of Axle Supports, one 3" Spacer (22), Tow Bar (2), the other 3" Spacer (22), and through the other pair of Axle Supports. (Figure 6)
- 7.) Center the Axle and place the 1-1/4" Spacers (23) on each end of Axle. Then place Washer (7) over Axle, followed by Wheel (4) and another Washer (7) on the outside of Wheel. Secure with Cotter Pin (5). Repeat for other side. (Figure 5)

- 3.) Tighten all nuts and bolts.

PLEASE DO NOT RETURN THIS MERCHANDISE TO THE STORE. CALL US AND WE WILL TAKE CARE OF ANY PROBLEM YOU MIGHT HAVE WITH THIS PRODUCT.

HOW TO ORDER PARTS:

When ordering parts, always give model #, part #, part description and inspector #.

SEND TO: Parts Division (800) 225 - 5891 Ext. 226
 316 Limit Street (217) 735 - 1590
 Lincoln, IL 62636 FAX (217) 735 - 2435

LIMITED WARRANTY

This unit is warranted against defects in materials and workmanship to the original purchaser, under normal use and service, for a period of ninety (90) days from date of sale.

During the Warranty Period, we will repair or replace at our option free of charge to the original purchaser, any part of the unit that our examination shows to be defective in workmanship or materials.

Warranty does not apply to damage in transit or damage caused by misuse, abuse, neglect, normal wear, or alterations by unauthorized persons.

PRECISION PRODUCTS, INC.

316 Limit Street, Lincoln, IL 62636
 Phone (217) 735 - 1590 FAX (217) 735 - 2435

