

The limited warranty set forth below is given by Precision Products Incorporated with respect to new merchandise purchased and used in the United States, its possessions and territories.

Precision Products Incorporated warrants the product(s) listed against defects in material and workmanship, and will, at our option, repair or replace, free of charge, any part found to be defective in materials or workmanship. This limited warranty shall only apply if this product has been assembled, operated, and maintained in accordance with the owner's manual furnished with the product, and has not been subjected to misuse, abuse, neglect, accident, improper maintenance, alteration, vandalism, theft, fire, water, or damage because of other peril or natural disaster.

Normal wear parts or components thereof are subject to separate terms as follows: All normal wear parts or component failures will be covered on the product for a period of one year. Parts found to be defective within the warranty period will be replaced at our expense. Our obligation under this warranty is expressly limited to the replacement or repair, at our option, of parts found to be defective in material and workmanship.

Contacting Service

Warranted replacements parts are available, ONLY WITH PROOF OF PURCHASE, through our Customer Service Department.

Call **1 (800) 225-5891**

This limited warranty does not provide coverage in the following cases:

1. Routine maintenance items such as lubricants and filters.
2. Normal deterioration of the exterior finish due to use or exposure.
3. Transportation and/or labor charges.

No implied warranty, including any implied warranty of merchantability or fitness for a particular purpose, applies after the applicable period of expressed written warranty above as to the part as identified below. No other expressed warranty, whether written or oral, except as mentioned above, given by any person or entity, including a dealer or retailer, with respect to any product, shall bind Precision Products Inc. during the period of the warranty. The exclusive remedy is repair or replacement

of the product as set forth above. The provisions as set forth in this warranty provide the sole and exclusive remedy arising from the purchase.

Precision Products Inc. will not be liable for incidental or consequential loss or damage including, without limitation, expenses incurred.

Some states do not allow the exclusion or limitation of incidental or consequential damages, or limitations on how long an implied warranty lasts, so the above exclusions or limitations may not apply to you.

During the warranty period, the exclusive remedy is replacement of the part. In no event, shall recovery of any kind be greater than the amount of the purchase price of the product sold. Alteration of safety features of the product shall void this warranty. You assume the risk and liability for loss, damage, or injury to you and your property and/or to others and their property arising out of the misuse or inability to use this product.

This limited warranty shall not extend to anyone other than the original purchaser or to the person for whom it was purchased as a gift.

Local Law to this Warranty

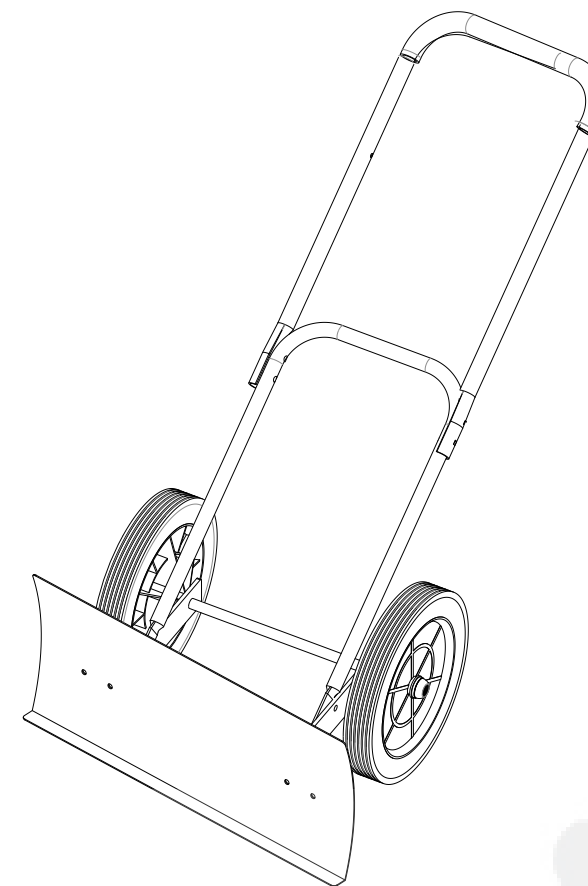
This limited warranty gives you specific legal rights, and you may also have other rights which vary from state to state.

Warranty Period

The warranty period stated below begins with the **Proof of Purchase**. Without the proof of purchase, the warranty period begins from the date of manufacture.

Product Warranty Period

The warranty period for this product is as follows: All parts are covered for 1 year.



Manual Contents

Safety Instructions	2
Operation.....	2
Parts	2-3
Assembly.....	4-6
Warranty.....	8

Your New Snow Pusher

Congratulations on your purchase of a new Precision Products Inc. Snow Pusher. Your Snow Pusher has been engineered and built to give you the most dependable and best performing product possible.

If you experience any problem you can not easily resolve, please feel free to contact our knowledgeable and helpful customer service department toll-free at **1 (800) 225-5891**.

Caution: Carefully read all rules and instructions for safe operation. Retain this manual for reference.

Rules for Safe Operation

The following safety precautions are suggested. This Snow Pusher is designed, engineered and tested to offer reasonably safe and effective service, provided that it is operated in strict accordance with these instructions. Failure to do so may result in personal injury. Always observe the rules of safe operation. Please read and retain this manual.

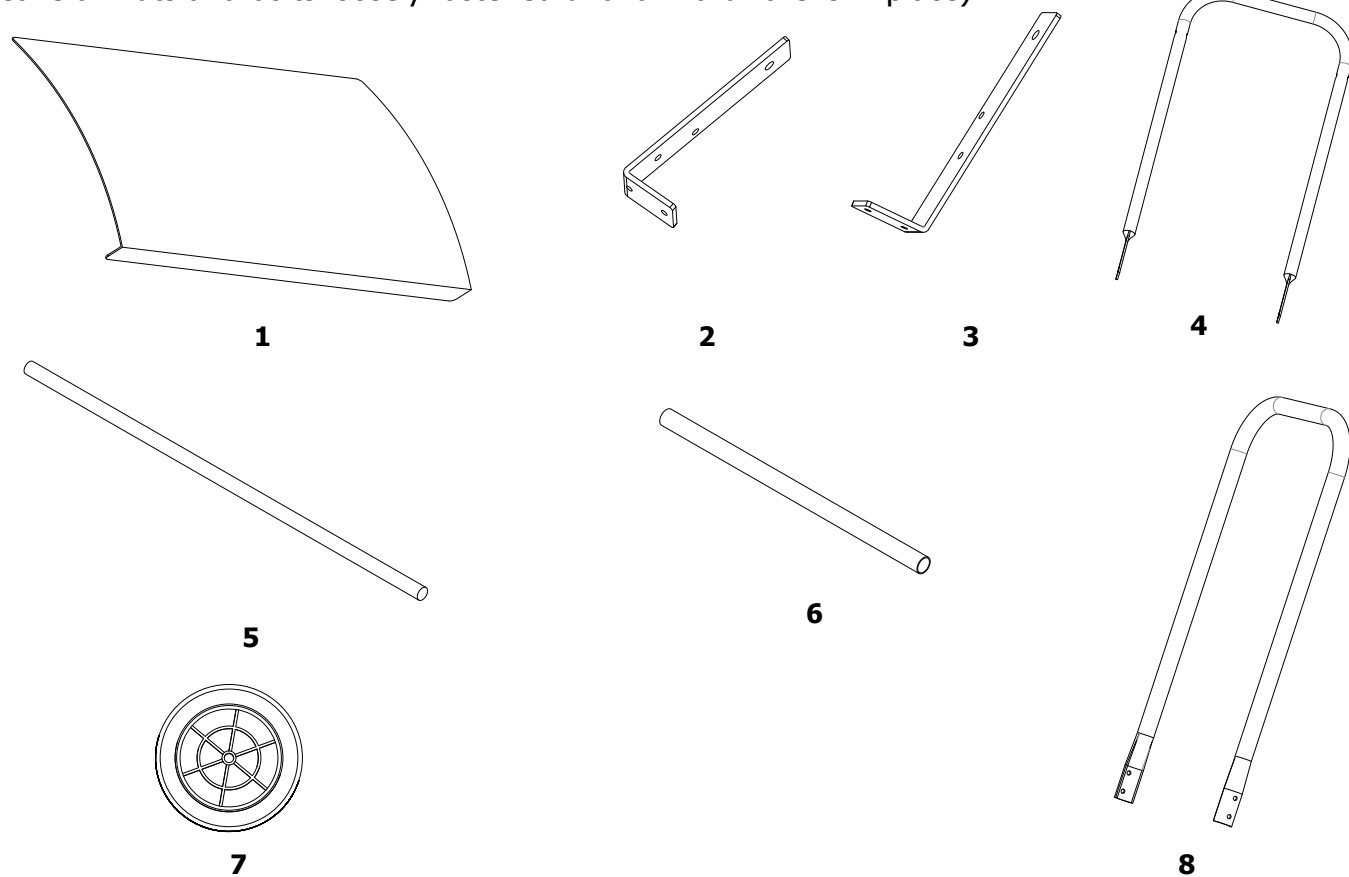
1. Keep all nuts, bolts and screws tight to be sure equipment is in safe working condition.
2. Wear proper clothing and shoes for climate conditions.
3. Do not allow too much snow to accumulate in front of the blade, especially if the snow is wet and heavy.
4. During heavy snowfalls, begin plowing early and often.
5. This unit is for the removal of snow not ice.
6. Clean and coat with a light weight oil for long term storage.

Tools

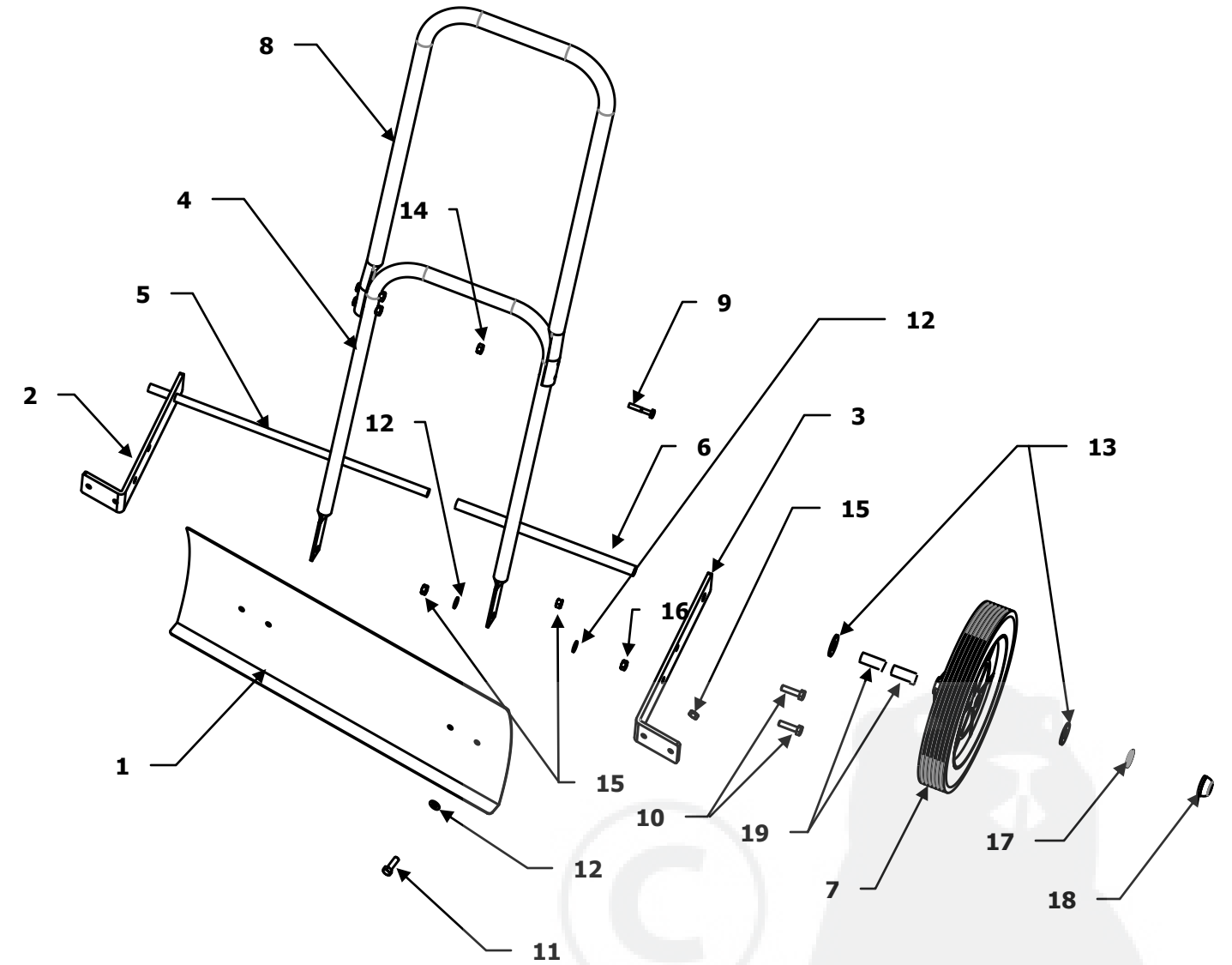
- (2) Adjustable Wrench
- (1) Hammer

Assembly Instructions

(Leave all nuts and bolts loosely fastened until all hardware is in place)



SP24R Snow Pusher



Ref.	Part No.	Qty.	Description
1	1880Y	1	Scoop Blade
2	1882B	1	Short Bracket
3	1881B	1	Long Bracket
4	1883B	1	Bottom Handle
5	1885	1	Axle
6	1886B	1	Spacer
7	1696	2	12" Wheels
8	1884BG	1	Top Handle w/grip
9	1660	4	1/4" x 1-1/4" Hex Head Bolt
10	4281	4	5/16" x 1-1/4" Hex Head Bolt

Ref.	Part No.	Qty.	Description
11	3738	4	5/16" x 1" Hex Head Bolt
12	1044	8	5/16" Flat Washer
13	1506	4	1/2" Flat Washer
14	1558	4	1/4" Nylock Nut
15	1749	8	5/16" Nylock Nut
16	1275	4	5/16" Hex Head Nut
17	3152	2	1/2" Retaining Ring
18	1040	2	Hub Cap
19	3443	4	1/2" x 1" Nylon Bushing

5. Insert a 5/16" x 1-1/4" Hex Head Bolt into the front hole of either the Long or Short Bracket, secure with a 5/16" Hex Head Nut. Place a 5/16" Flat Washer onto the bolt, followed by the Lower Handle and then another 5/16" Flat Washer. Secure with a 5/16" Nylock Nut. Repeat process on the other side. See Figure 5.

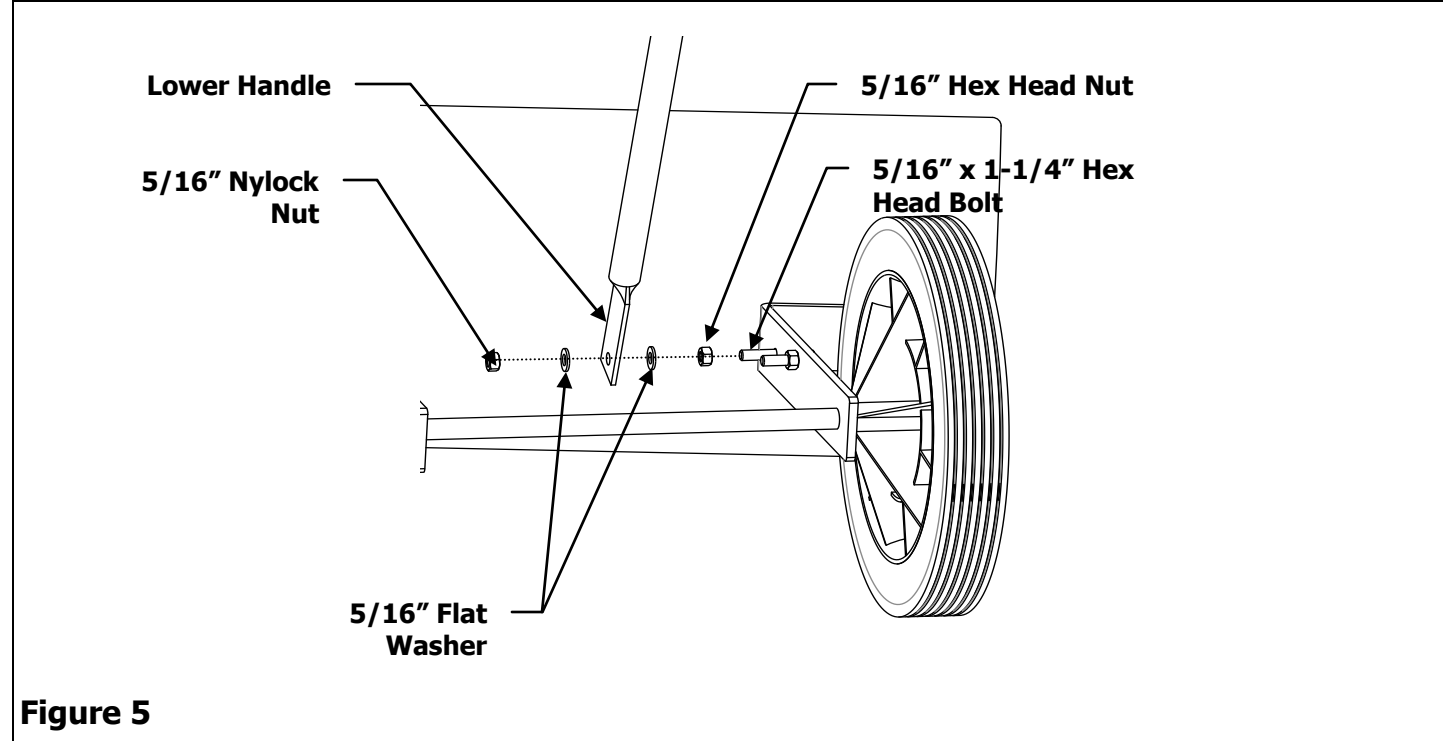


Figure 5

6. Using four 1/4" x 1-1/2" Hex Head Bolts and four 1/4" Nylock Nuts. Align the holes of the Upper and Lower Handles, the insert a bolt and secure with a Nylock Nut. Repeat the process on the remaining three holes. See Figure 6.

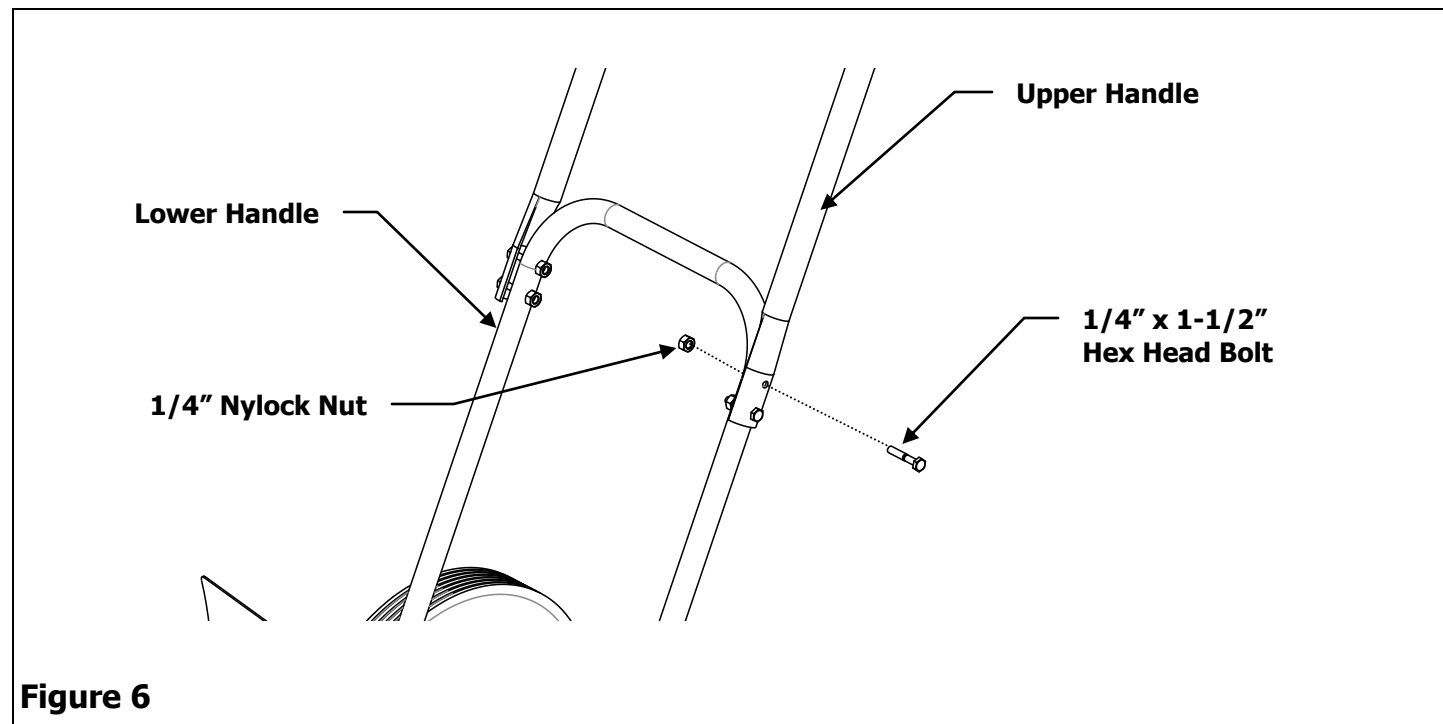
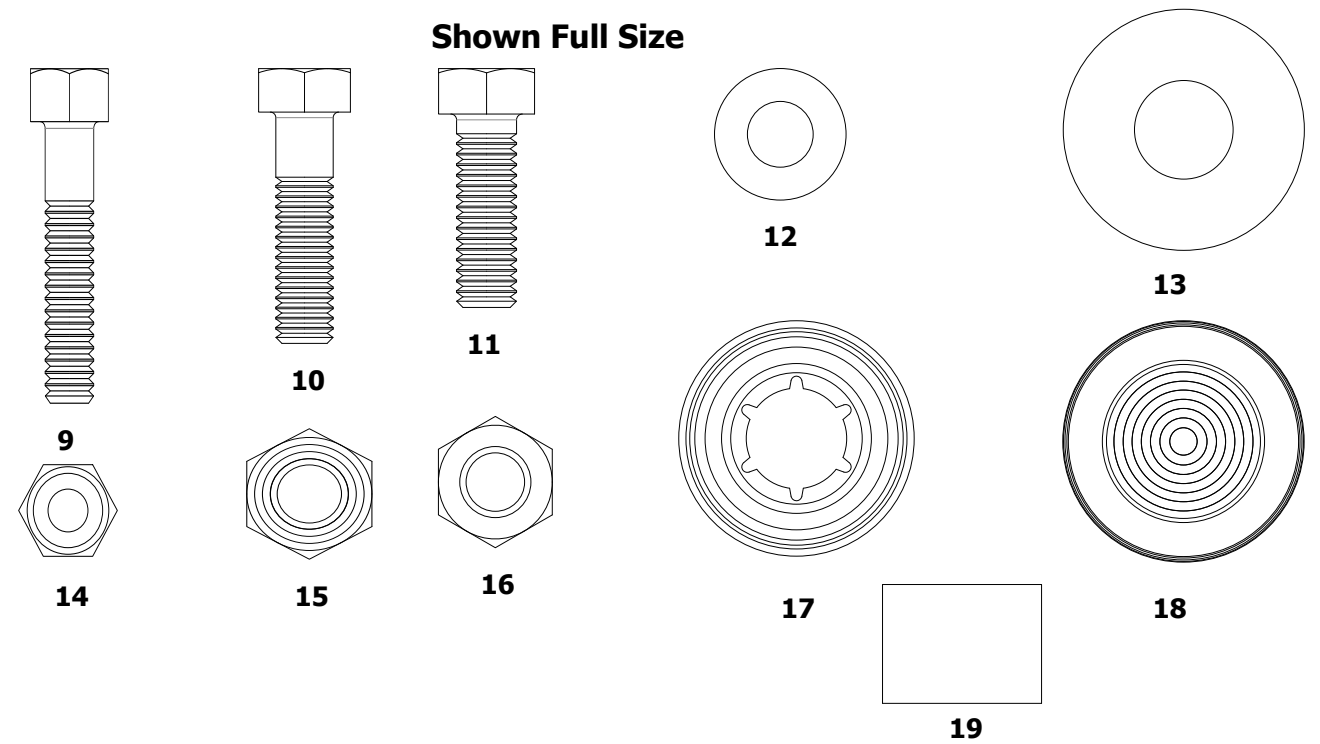


Figure 6

7. Now tighten all the nuts and bolts.

Shown Full Size



Ref.	Qty.	Description
1	1	Snow Blade
2	1	Short Bracket
3	1	Long Bracket
4	1	Lower Handle
5	1	Axle
6	1	Spacer
7	2	12" Wheels
8	1	Upper Handle
9	4	1/4" x 1-1/2" Hex Head Bolt
10	4	5/16" x 1-1/4" Hex Head Bolt

Ref.	Qty.	Description
11	4	5/16" x 1" Hex Head Bolt
12	8	5/16" Flat Washer
13	4	1/2" Flat Washer
14	4	1/4" Nylock Nut
15	8	5/16" Nylock Nut
16	4	5/16" Hex Head Nut
17	2	1/2" Retaining Ring
18	2	Hub Cap
19	4	1/2" x 1" Nylon Bushing

Parts and Support

STOP Please do not return this product to the store prior to contacting Precision.

At Precision Products Inc. our goal is to deliver quality, value and outstanding service. If for any reason our product does not meet your expectations, please contact us and we will take care of any problem you may have with this unit.

When ordering replacement parts please have the model number, part description, part number, inspector number and date available so that we can best serve you.

1 (800) 225-589
1www.precisionprodinc.com
Precision Products Inc.
316 Limit St.
Lincoln IL 62656

1. Insert a 5/16" x 1-1/4" Hex Head Bolt into the top center hole of both the Short and Long Brackets, attach a 5/16" Hex Head Nut and secure each bolt with a 5/16" Nylock Nut. See Figure 1.

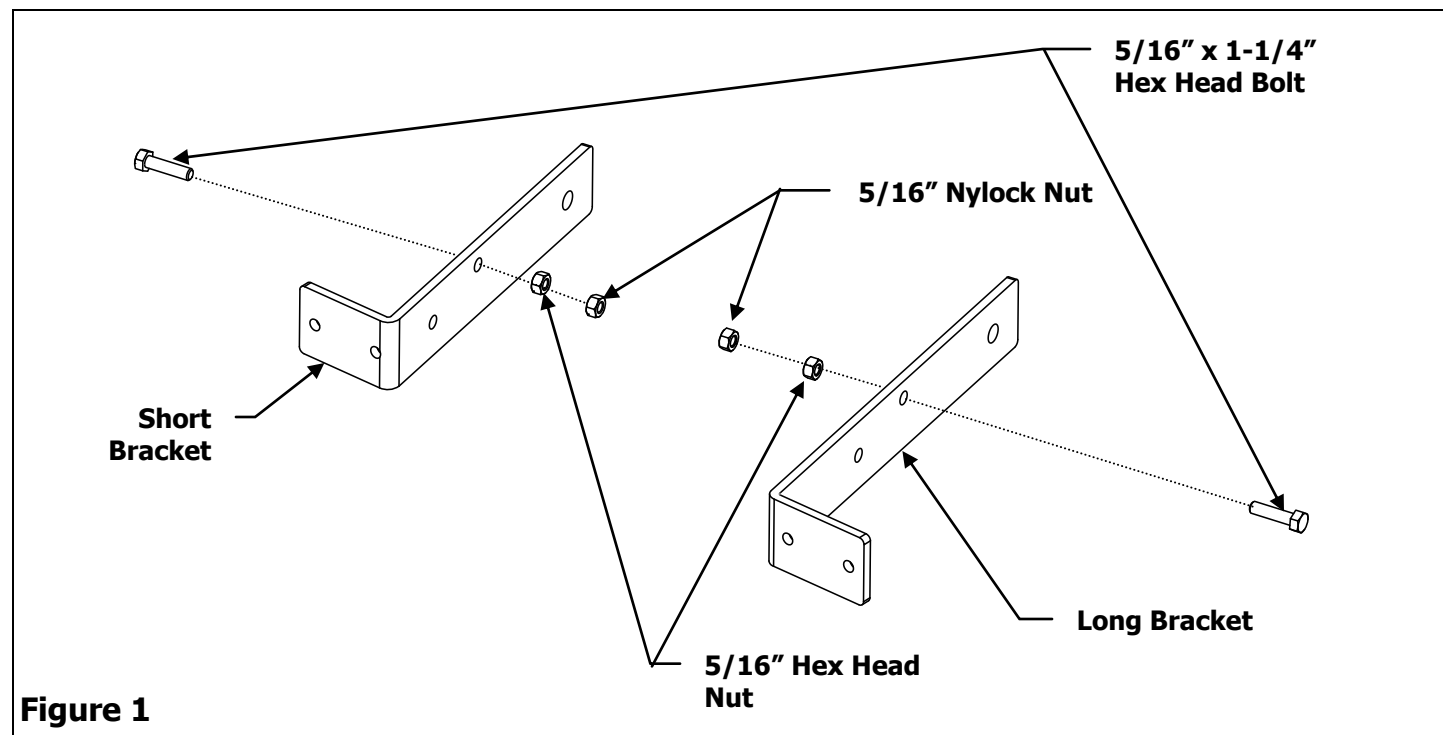


Figure 1

2. Insert the Axle into the 1/2" hole of the Short Bracket, then slide the Spacer onto the Axle. Insert the Axle into the 1/2" hole of the Long Bracket. Centering the Brackets and Spacer on the Axle. See Figure 2.

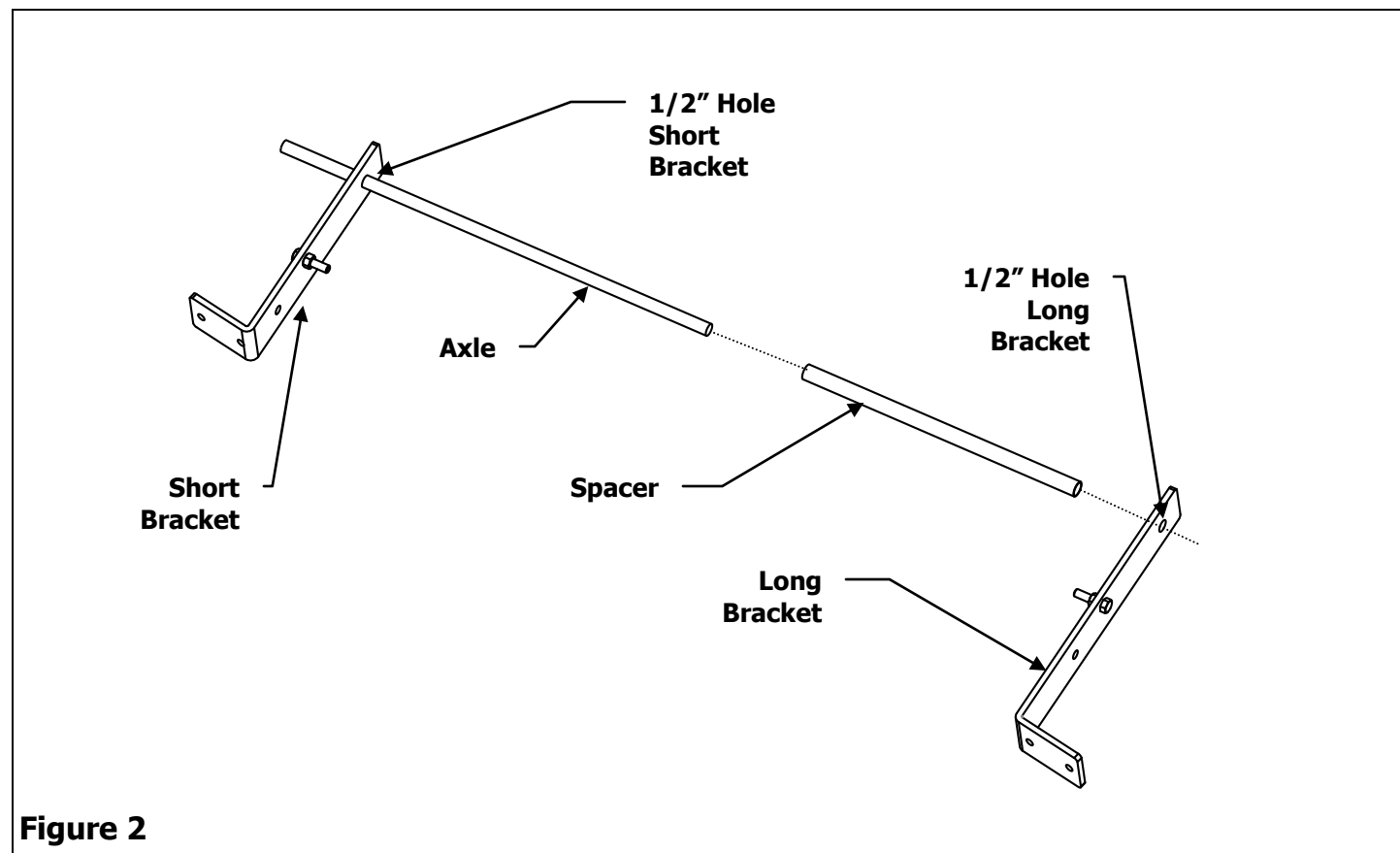


Figure 2

3. Place a 1/2" Flat Washer onto the Axle followed by a 12" Wheel and then another 1/2" Flat Washer. Secure first with a 1/2" Retaining Ring followed by a Hub Cap. Repeat process on other side. See Figure 3.

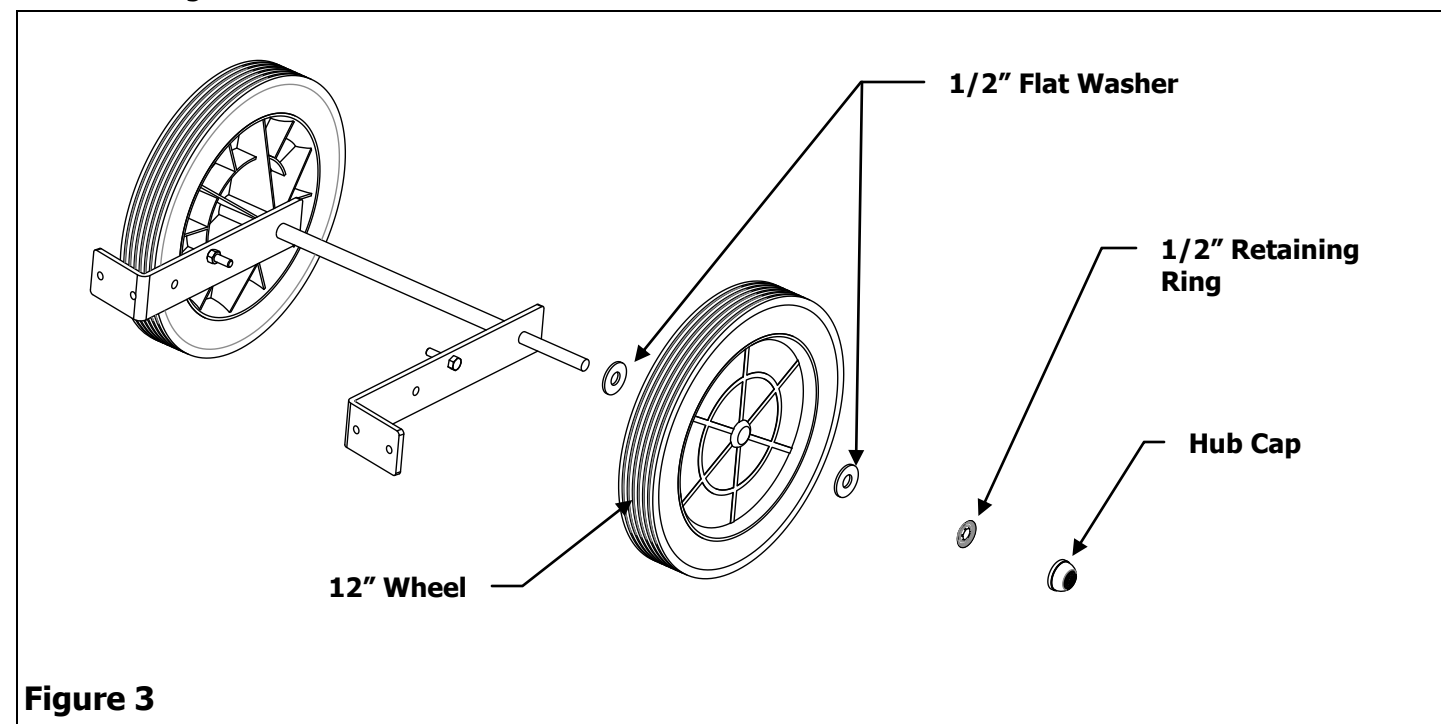


Figure 3

4. Assemble four 5/16" x 1" Hex Head Bolts, four 5/16" Flat Washers and four 5/16" Nylock Nuts. Place a Flat Washer onto a bolt then insert the bolt into a hole in the Snow Blade and into a corresponding hole in one of the Brackets. Secure with a Nylock Nut. Repeat process on the remaining three holes in the Snow Blade. See Figure 4.

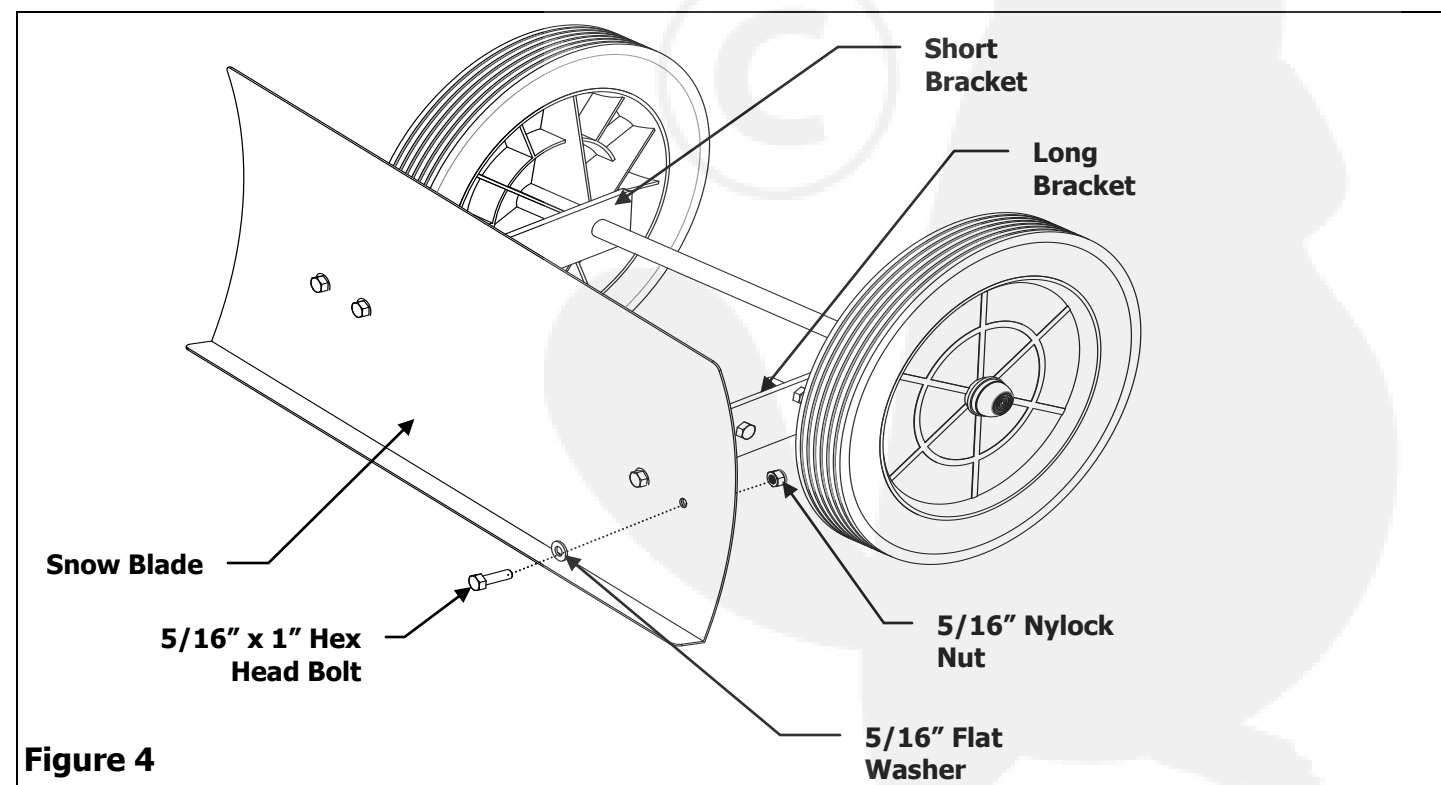


Figure 4