



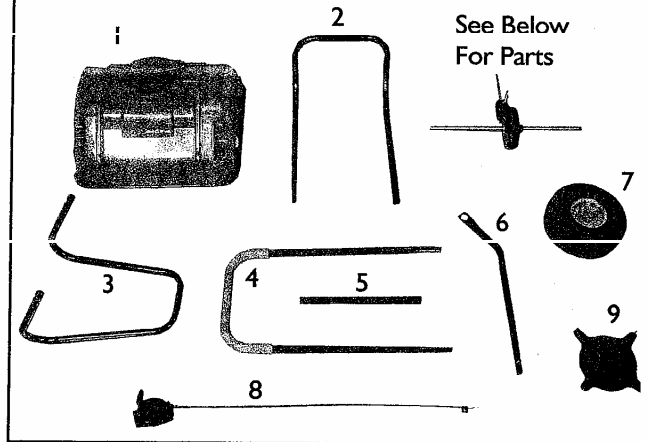
SB4500PRC BROADCAST SPREADER

Assembly Instructions & Parts List

09



MADE IN
★ ★ ★ ★ ★
USA



Retain for future reference

TIP: Many of these hardware parts can be purchased at your local hardware store.

PLEASE DO NOT RETURN THIS MERCHANDISE TO THE STORE. CALL US AND WE WILL TAKE CARE OF ANY PROBLEM YOU MIGHT HAVE WITH THIS PRODUCT.
Phone (800) 225-5891
EXT. #204

HOW TO ORDER

REPLACEMENT PARTS:

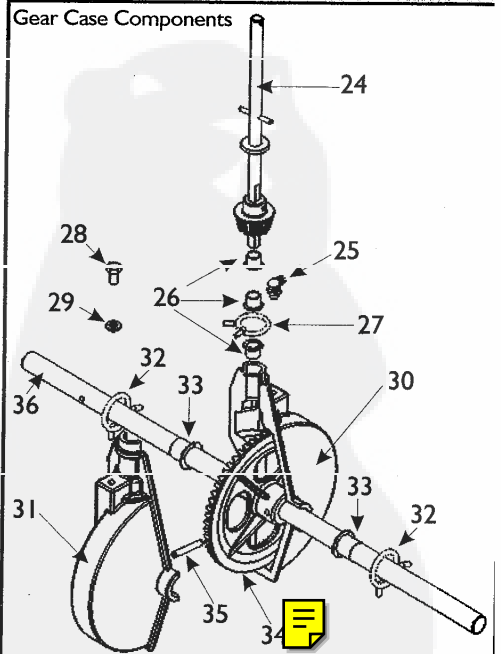
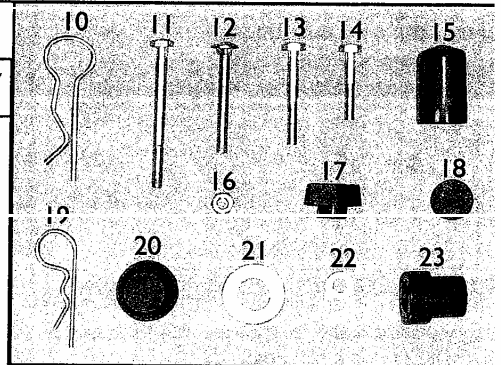
When ordering parts always give model number, part number and part description.

Send To: Parts Division
316 Limit Street
Lincoln, IL 62656

Phone (800) 225-5891
(217) 735-1590 Ext. 204
FAX (217) 735-2435

Parts List * SB4500PRC

Ref No	Parts No	Description	Qty
1	2570H	Hopper	1
2	2908	Wrap-Around Support	1
3	2887	Leg Stand	1
4	2555G	Handle w/ Grip	1
5	2546B	Cross Brace	1
6	2900	Hopper Support	2
7	2410	Wheel	2
8	2441	Control Cable	1
9	2614	Spinner Disc	1
10	5060	Drive Wheel Clip	1
11	4466	1/4 x 3-1/2 Hex Head Bolt	4
12	1868	1/4 x 2-1/4 Carriage Bolt	3
13	1086	1/4 x 2 Hex Head Bolt	2
14	6129	1/4 x 1-1/2 Hex Head Bolt	2
15	2582	Tube Cap	2
16	1270	1/4 Hex Nut	6
17	2828	Wing Nut	3
18	1053	7/8 Tube Plug	2
19	1042	Hitch Pin Clip	1
20	3333	5/8 Retaining Ring	1
21	1646	5/8 Washer	3
22	1817	1/4 Flat Washer	4
23	6214	5/8 Wheel Bushing	2
24	2879A	Spinner Shaft Assembly	1
25	2983	1/4 - 28 Grease Zerk	1
26	2973	3/8 Nylon Bushing	3
27	2978	7/8 Spring Clamp	1
28	2984	1/4 - 28 x 1/2 Long Hex Bolt	1
29	1807	1/4 Lock Washer	1
30	2976	Rear Gear Case Housing	1
31	2975	Front Gear Case Housing	1
32	2977	15/16 Spring Clamp	2
33	2970	5/8 Nylon Bushing	2
34	2971	Drive Gear	1
35	2979	3/16 x 1-1/4 Split Pin	1
36	2571	Axle	1
****	2906	Rain Cover (Not Shown)	1



USING YOUR SB4500PRC BROADCAST SPREADER

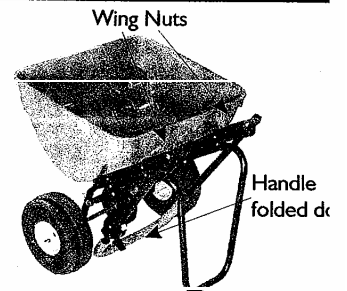
STEP 1

Un-fold Handle and tighten Wing Nuts on the Handle.



FOR STORAGE

Loosen the two Wing Nuts and fold handle under hopper.



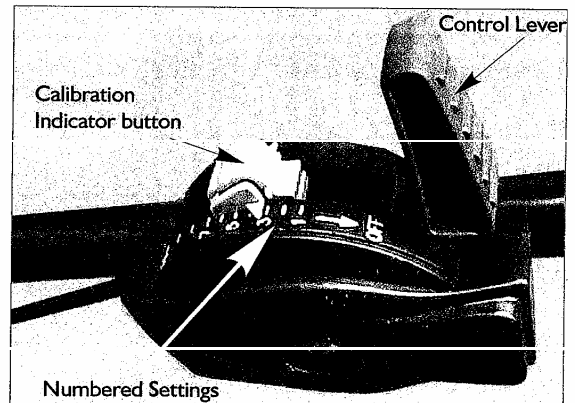
USING YOUR SPREADERS CONTROLLER

Settings are made by pushing down on the Calibration Indicator button and setting to the desired number on the Control Cable assembly.

SEE APPLICATION CHART FOR SETTING INFORMATION.

ON -- Push the Control Lever forward until it stops against Calibration Button.

OFF -- Pull Control Lever back until it stops.



BROADCAST SPREADER OPERATION

1. Always have the control lever in OFF position before filling the hopper.
2. Always push the spreader forward to operate; do not pull backwards.
3. Start walking forward before pushing the control lever to the ON position. Pull the control lever to OFF position before stopping or turning.

DO NOT allow spreader to sit stationary with material in the hopper and control lever in the ON position.

4. Hold the handle at a height that will keep the hopper level.

5. Push the spreader at a steady, brisk pace (approximately 3 mph is recommended).
6. To avoid misses or striping, space each pass across the lawn so approximately 20% of the spread width overlaps onto the previous pass. This provides a "feathered" overlap to even out distribution over the width of the spread.

CAUTION: care must be taken with any weed killer, pesticide, or combination product. They can be harmful to other plant life in the yard.

Recommended operating weight – 90 lbs.

MAINTENANCE INSTRUCTIONS

1. Empty hopper after each use. Do not store spreader with material left in hopper.
2. Wash spreader thoroughly and wipe dry.
3. Lubricate all moving parts. Use a grease gun to apply grease to the gearbox assembly. **CAUTION: Use a reasonable amount of grease. DO NOT pack gearbox full of grease.** Apply oil to spinner shaft (including area shaft extends through hopper), slide plate and where the spinner shaft and axle extend through the gearbox.

LIMITED WARRANTY

This unit is warranted against defects in materials and workmanship to the original purchaser, under normal use and service, for a period of ninety (90) days from date of sale. During the Warranty Period, we will repair or replace at our option free of charge to the original purchaser, any part of the Unit that our examination shows to be defective in workmanship or materials. This Warranty **Does Not** apply to damage caused by transit, misuse, abuse, neglect, accident, normal wear, or alterations by unauthorized persons.