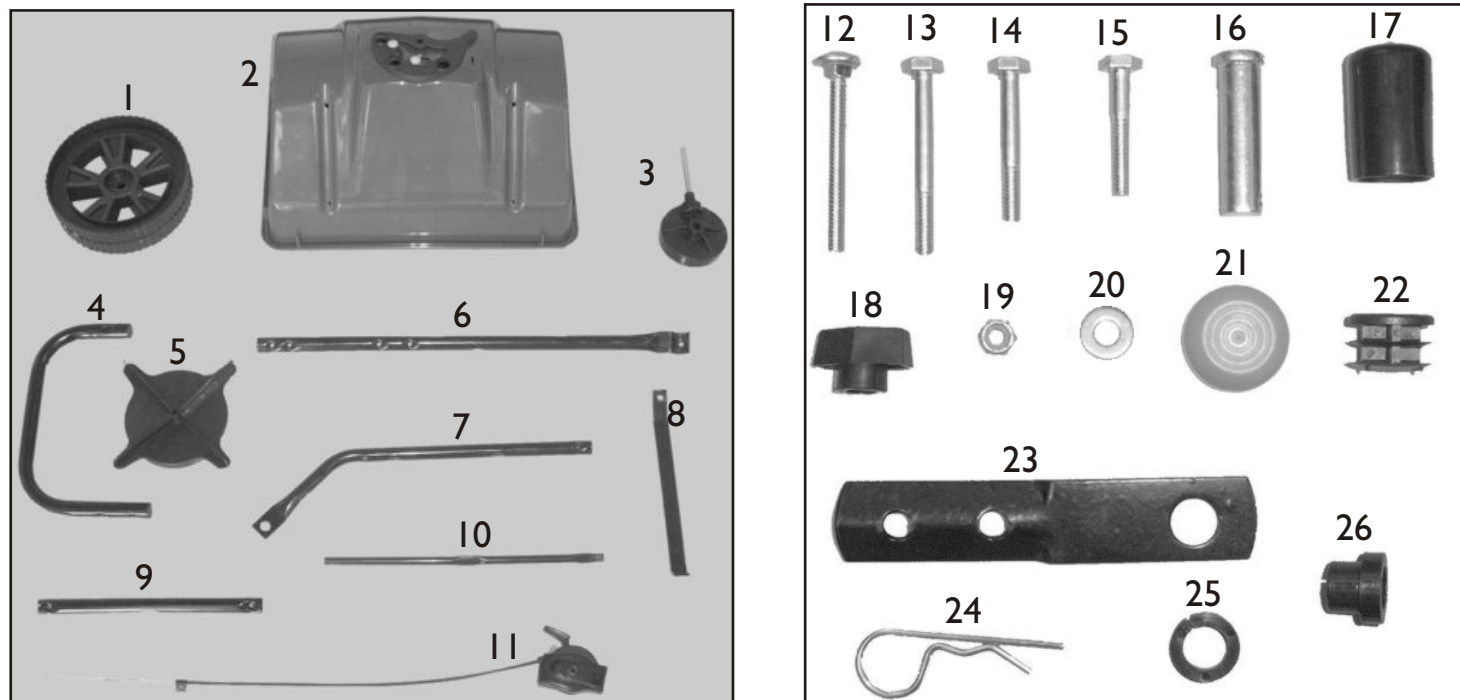


Parts List for TBS4300RD & TBS4300RDGY



TBS4300RD & TBS4300RDGY

Trail Behind Broadcast Spreader

Assembly Instructions & Parts List

Parts referenced with ** have two color options.

Ref No	Part No	Description	Qty	Ref No	Part No	Description	Qty
1	2890	Wheel	2	11	2438	Control Cable	1
2	2886	Hopper	1	12	1868	1/4 x 2-1/4 Carriage Bolt	1
3	2889G	Gear Case Assembly	1	13	2101	1/4 x 2-1/4 Hex Head Bolt	2
4	2282B	Control Cable Holder (Black)	1	14	1086	1/4 x 2 Hex Head Bolt	2
**	7182G	Control Cable Holder (Gray)	1	15	6129	1/4 x 1-1/2 Hex Head Bolt	8
5	2614	Spinner Disc	1	16	1840	Clevis Pin	1
6	2285B	Tow Bar (Black)	1	17	2582	Tube Cap	2
**	7185G	Tow Bar (Gray)	1	18	2828	Wing Nut	1
7	2892B	Hopper Support (Black)	2	19	1558	1/4 Lock Nut	12
**	2892G	Hopper Support (Gray)	2	20	1817	1/4 Flat Washer	4
8	2284B	Support Bracket (Black)	2	21	1040R	Hub Cap	2
**	2284GY	Support Bracket (Gray)	2	22	1053	7/8 Tube Plug	2
9	2280B	Cross Brace (Black)	1	23	1062GY	Clevis Plate (Gray)	2
**	2280GY	Cross Brace (Gray)	1	24	1042	Hitch Pin Clip	2
10	2564B	Axle (Black)	1	25	1060	1/2 Spacer	2
**	2564G	Axle (Gray)	1	26	1842	1/2 Wheel Bushing	2

TIP: Many of these hardware parts can be purchased at your local hardware store.

CUSTOMER SUPPORT

At Precision Products, Inc. delivering quality, value and outstanding service is our goal. However, sometimes parts do become damaged or lost during transport from our facilities to the store. **If you have any problems, please do not return this merchandise to the store. Call us and we will take care of any problem you may have with this unit. Phone (800) 225-5891 Ext. 204**

HOW TO ORDER

REPLACEMENT PARTS:

When ordering parts always give model number, part number and part description.

Send To: Parts Division
316 Limit Street
Lincoln, IL 62656

Phone (800) 225-5891
(217) 735-1590 Ext. 204

FAX (217) 735-2435
www.precisionprodinc.com

LIMITED WARRANTY

This unit is warranted against defects in materials and workmanship to the original purchaser, under normal use and service, for a period of ninety (90) days from date of sale. During the Warranty Period, we will repair or replace at our option free of charge to the original purchaser, any part of the Unit that our examination shows to be defective in workmanship or materials. This Warranty **Does Not** apply to damage caused by misuse, abuse, neglect, accident, normal wear, or alterations by unauthorized persons.



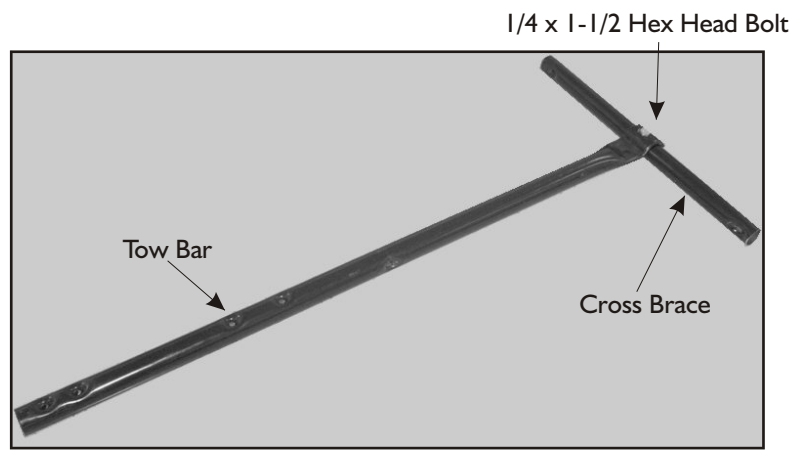
Precision

ASSEMBLY INSTRUCTIONS FOR THE TBS4300RD & TBS4300RDGY

ASSEMBLY TIP: Loosely tighten nuts and bolts at first. Fully tighten when the spreader is completely assembled.

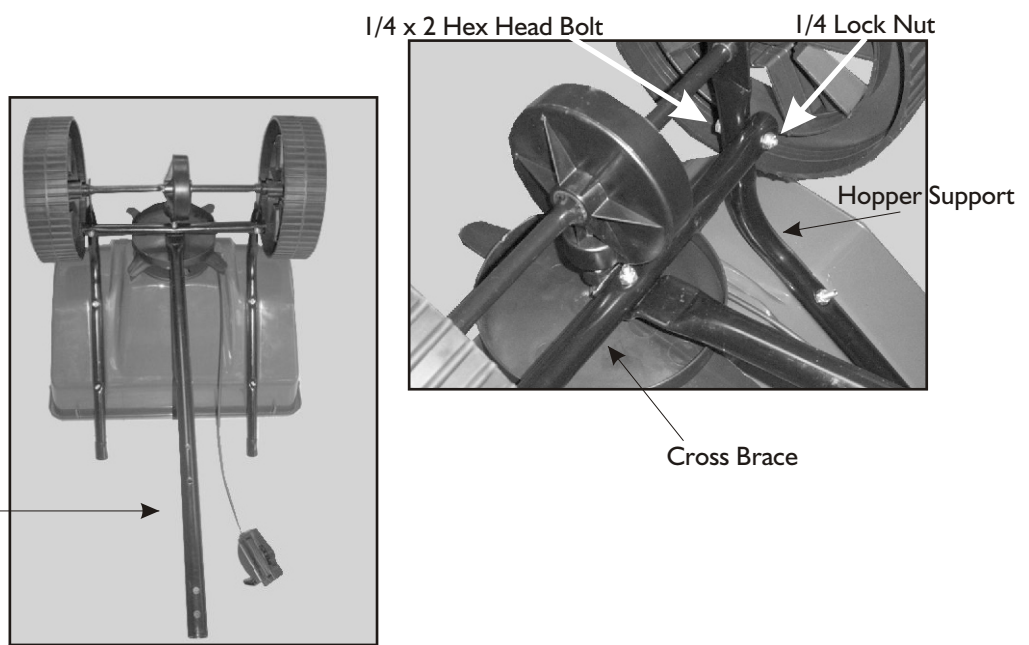
Step 1

Attach the Tow Bar (6) to the center hole on the Cross Brace (9) using a 1/4 x 1-1/2 Hex Head Bolt (15) and a 1/4 Lock Nut (19).



Step 2

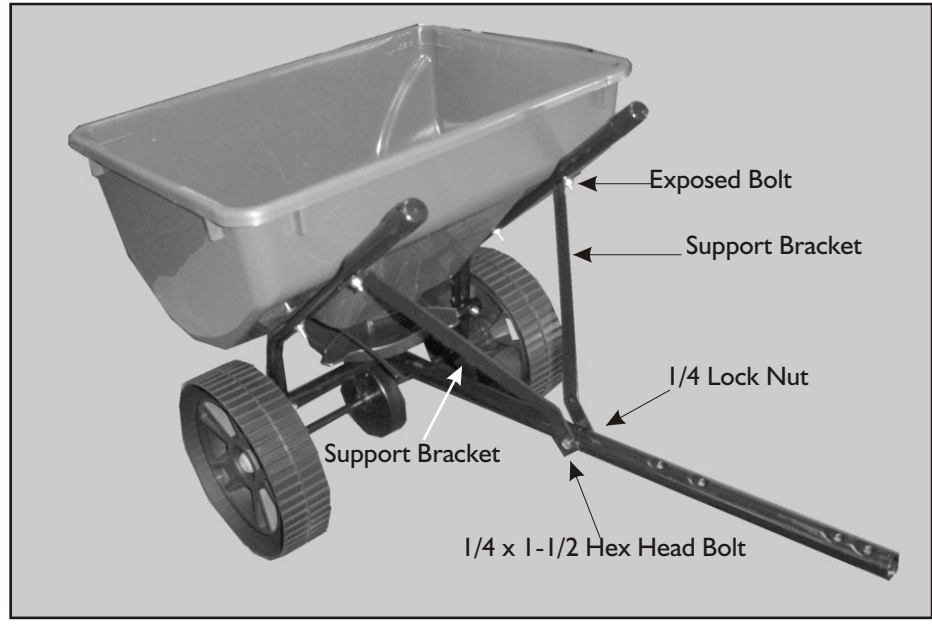
Attach Tow Bar / Cross Brace assembly to the two Hopper Supports (7) using two 1/4 x 2 Hex Head Bolts (14) and two 1/4 Lock Nuts (19).



Step 3

Attach both Support Brackets (8) to the Hopper Supports where the two bolts are exposed towards the top of the hopper. Secure with two 1/4 Lock Nuts (19).

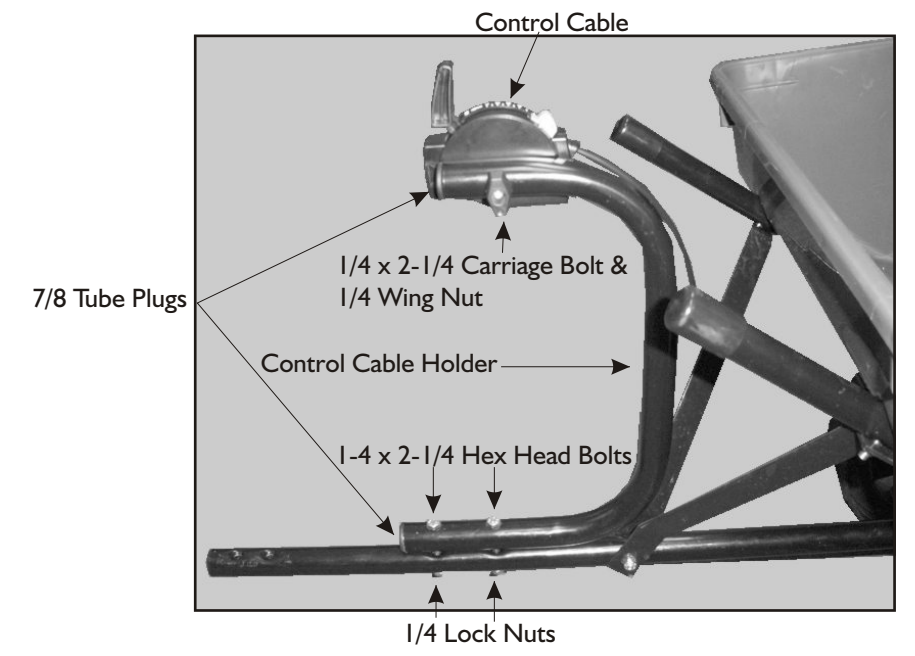
Next, connect the two Support Brackets (8) to the Tow Bar (6) using a 1/4 x 1-1/2 Hex Head Bolt (15) and secure with a 1/4 Lock Nut (19).



Step 4

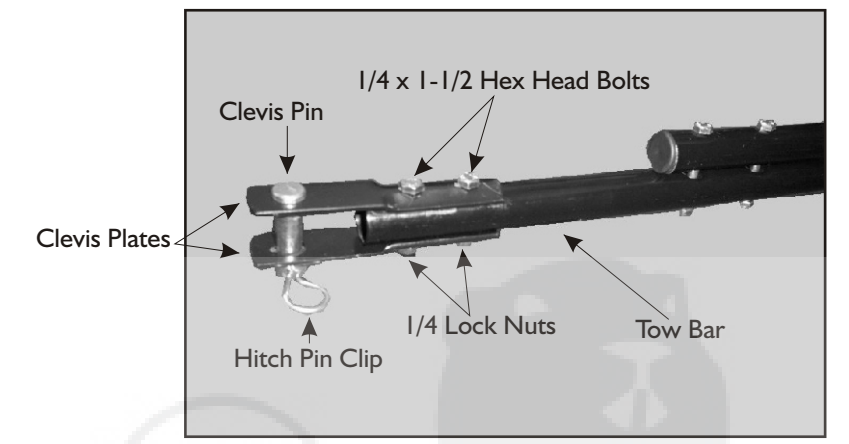
Fasten the Control Cable Holder (4) to the top of the Tow Bar (6) using two 1/4 x 2-1/4 Hex Head Bolts (13) and two 1/4 Lock Nuts (19). Attach the Control Cable (11) to the top of the Control Cable Holder using a 1/4 x 2-1/4 Carriage Bolt (12) and secure with a 1/4 Wing Nut (18),

Using a hammer, gently tap in the two 7/8 Tube Plugs (22) into the open ends of the Control Cable Holder (4) tube.



Step 5

Attach the two Clevis Plates (23) to both sides of the end on the Tow Bar (6) using two 1/4 x 1-1/2 Hex Head Bolts (15) and two 1/4 Lock Nuts (19). Place the Clevis Pin (16) through the open hole in the Clevis Plates (23) and secure with a Hitch Pin Clip (24).



USING YOUR SPREADER

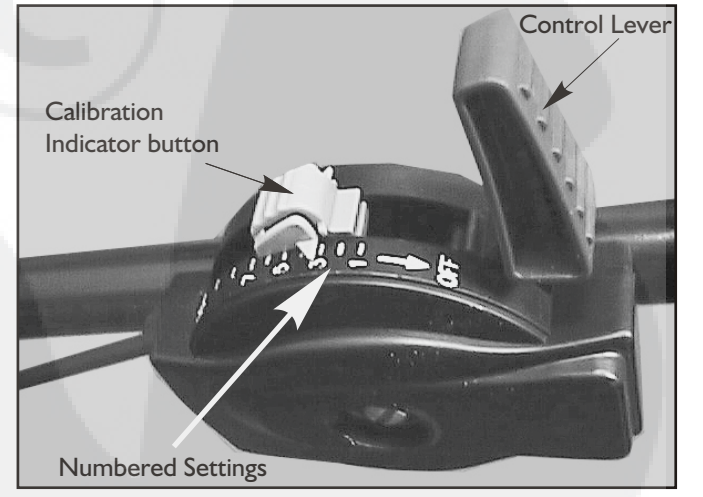
Settings are made by pushing down on the Calibration Indicator button and setting to the desired number on the Control Cable assembly.

SEE APPLICATION CHART FOR SETTING INFORMATION.

To Open -- Push the Control Lever forward until it stops against Calibration Button.

To Close -- Pull Control Lever back until it stops.

Recommended operating weight – 65 lbs.



MAINTENANCE INSTRUCTIONS

AFTER EACH USE: Wash unit thoroughly and let dry. Lubricate moving parts, including slide plate, axle and spinner shaft.

CAUTION: CARE MUST BE TAKEN WITH ANY WEED KILLER, PESTICIDE, OR COMBINATION PRODUCT. THEY CAN BE HARMFUL TO OTHER PLANT LIFE IN THE YARD.