

The limited warranty set forth below is given by Precision Products Incorporated with respect to new merchandise purchased and used in the United States, its possessions and territories.

Precision Products Incorporated warrants the product(s) listed against defects in material and workmanship, and will at our option, repair or replace, free of charge, any part found to be defective in materials or workmanship. This limited warranty shall only apply if this product has been assembled, operated, and maintained in accordance with the owner's manual furnished with the product, and has not been subject to misuse, abuse, neglect, accident, improper maintenance, alteration, vandalism, theft, fire, water, or damage because of other peril or natural disaster.

Normal wear parts or components thereof are subject to separate terms as follows: All normal wear parts or component failures will be covered on the product for a period of one year. Parts found to be defective within the warranty period will be replaced at our expense. Our obligation under this warranty is expressly limited to the replacement or repair, at our option, of parts found to be defective in material and workmanship.

Contacting Service

Warranty parts replacements are available, ONLY WITH PROOF OF PURCHASE, through our Customer Service Department.

Call **1 (800) 225-5891**

This limited warranty does not provide coverage in the following cases:

1. Routine maintenance items such as lubricants and filters.
2. Normal deterioration of the exterior finish due to use or exposure.
3. Transportation and/or labor charges.

No implied warranty, including any implied warranty of merchantability of fitness for a particular purpose, applies after the applicable period of express written warranty above as to the part as identified below. No other expressed warranty, whether written or oral, except as mentioned above, given by any person or entity, including a dealer or retailer, with respect to any product, shall bind Precision Products Inc. during the period of the warranty, the exclusive remedy is repair or replacement

of the product as set forth above. The provisions as set forth in this warranty provide the sole and exclusive remedy arising from the purchase.

Precision Products Inc. will not be liable for incidental or consequential loss or damage including, without limitation, expenses incurred for substitute or replacement lawn care services, or for rental expenses to temporarily replace a warranted product.

Some states do not allow the exclusion or limitation of incidental or consequential damages, or limitations on how long an implied warranty lasts, so the above exclusions or limitations may not apply to you.

During the warranty period, the exclusive remedy is replacement of the part. In no event shall recovery of any kind be greater than the amount of the purchase price of the product sold. Alteration of safety features of the product shall void this warranty. You assume the risk and liability for loss, damage, or injury to you and your property and/or to others and their property arising out of the misuse or inability to use this product.

This limited warranty shall not extend to anyone other than the original purchaser or to the person for whom it was purchased as a gift.

Local Law to this Warranty

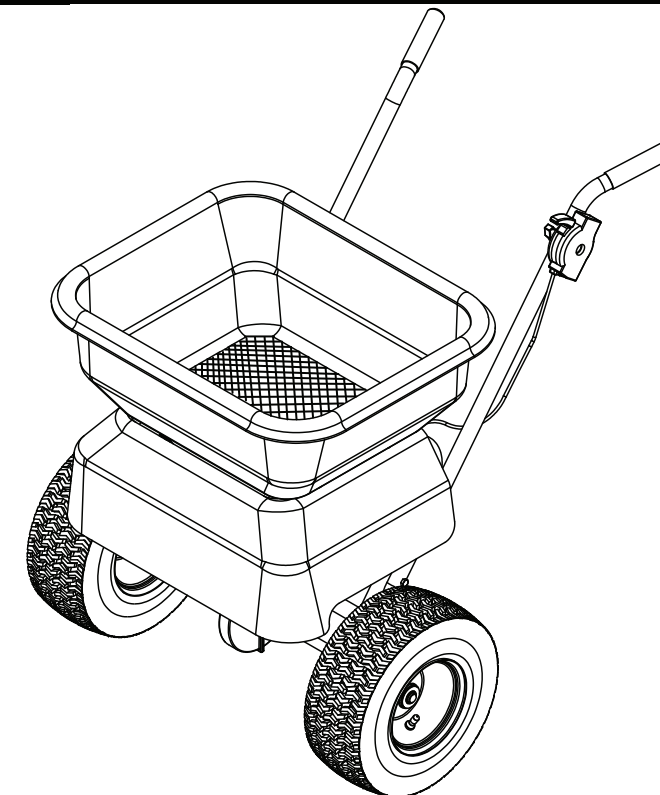
This limited warranty gives you specific legal rights, and you may also have other rights which vary from state to state.

Warranty Period

The warranty period stated below begins with the **Proof of Purchase**. Without the proof of purchase, the warranty period begins from the date of manufacture.

Product Warranty Period

The warranty period for this product is as follows: All parts are covered for 1 year.



Tread pattern on tires may vary.

Manual Contents

Safety Instructions	2
Assembly.....	4-5
Operation.....	5
Maintenance.....	5
Parts.....	6-7
Warranty.....	8

Your New Broadcast Spreader

Congratulations on your purchase of a new Precision Products Inc. Broadcast Spreader. Your spreader has been engineered and built to give you the most dependable and best performing product possible.

If you experience any problem you can not easily resolve, please feel free to contact our knowledgeable and helpful customer service department toll-free at **1 (800) 225-5891**.

Caution: Carefully read all rules and instructions for safe operation.

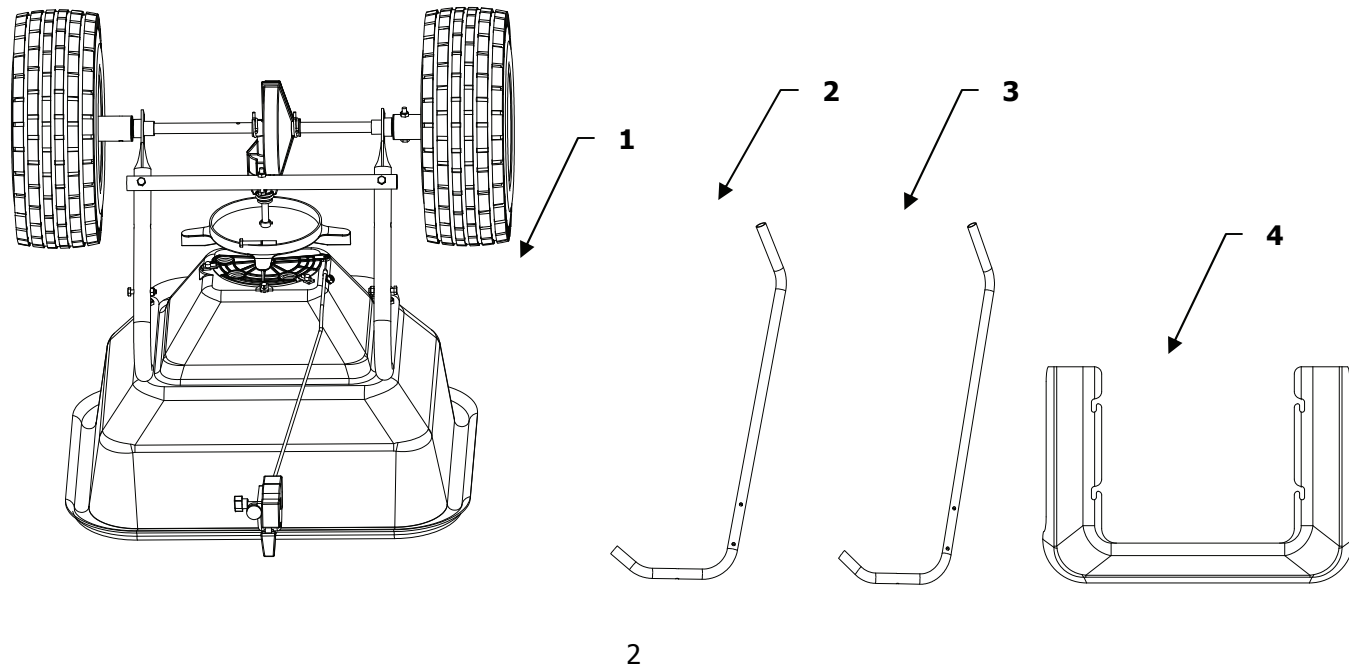
! Safety Instructions

All power equipment can cause injury or property damage if operated improperly. Please read and observe the following safety rules and exercise caution at all times when operating equipment.

- Do not allow anyone to operate the spreader without having read the owner’s manual or without having received proper instruction.
- Keep people and animals at a safe distance.
- Always wear substantial footwear. Do not wear loose fitting clothing that may get caught in moving parts.
- This unit may have sharp points. Handle with care.
- Stay alert for holes in the terrain and other hidden hazards.
- Always operate up and down a slope, never across the face of a slope.
- Keep all nuts, bolts and screws tight to be sure the equipment is in safe working condition.
- The spreader should be stopped and inspected for damage after striking a foreign object. Any damage should be repaired before restarting and operating the equipment.
- Follow the maintenance instructions as outlined in this owner’s manual.

Carton Contents

1. Hopper Assembly
2. Left Handle
3. Right Handle
4. Deflector



SB600SS

Ref No.	Part No.	Qty.	Description
1	2969	1	Hopper
2	2980	1	Gear Case Assembly
3	2614	1	Spinner Disc
4	7127GYOS	1	Left Handle
5	7125GYOS	1	Right Handle
6	7124GYOS	1	Support Brace
7	7156GYOS	1	Wrap Around Support
8	2936GYOS	1	Strainer (Not Shown)
9	2441	1	Control Cable
10	2197	2	Wheel
11	1868	1	1/4" x 2—1/4" Carriage Bolt
12	2101	4	1/4" x 2—1/4" Hex Head Bolt
13	1086	1	1/4" x 2" Hex Head Bolt
14	6129	6	1/4" x 1—1/2" Hex Head Bolt
15	1647	1	1/4" x 1/2" Hex Head Bolt
16	6143	4	1/4" Fender Washer
17	1307	1	Slide Plate
18	2828	1	1/4" Wing Nut

Ref No.	Part No.	Qty.	Description
19	1558	11	1/4" Nylock Nut
20	1270	1	1/4" Hex Head Nut
21	6010	3	#6 Pan Head Screw
22	6214	2	5/8" Wheel Bushing
23	3060	2	1" Tube Plug
24	1646	1	5/8" Flat Washer
25	1262	1	Cotter Pin 1/8" x 1-1/4"
26	6127C	1	1/4" Neo Rubber Washer
27	3544	4	1/4" Metal Spacer (Hopper)
28	1008	1	1/2" Retaining Ring
29	1817	9	1/4" Flat Washer
30	2906	1	Rain Cover*
31	5050C	3	Plastic Clamp
32	3042	2	1" Handle Grip
33	2148PU	1	Agitator Pin
34	2599	1	Axle
35	1098	1	Cable Clamp
36	3546	1	Salt Deflector
37	2385	4	1/4" X 2 1/2" Hex Head Bolt

*Not all pieces shown.

Parts and Support

STOP Please do not return this product to the store prior to contacting Precision.

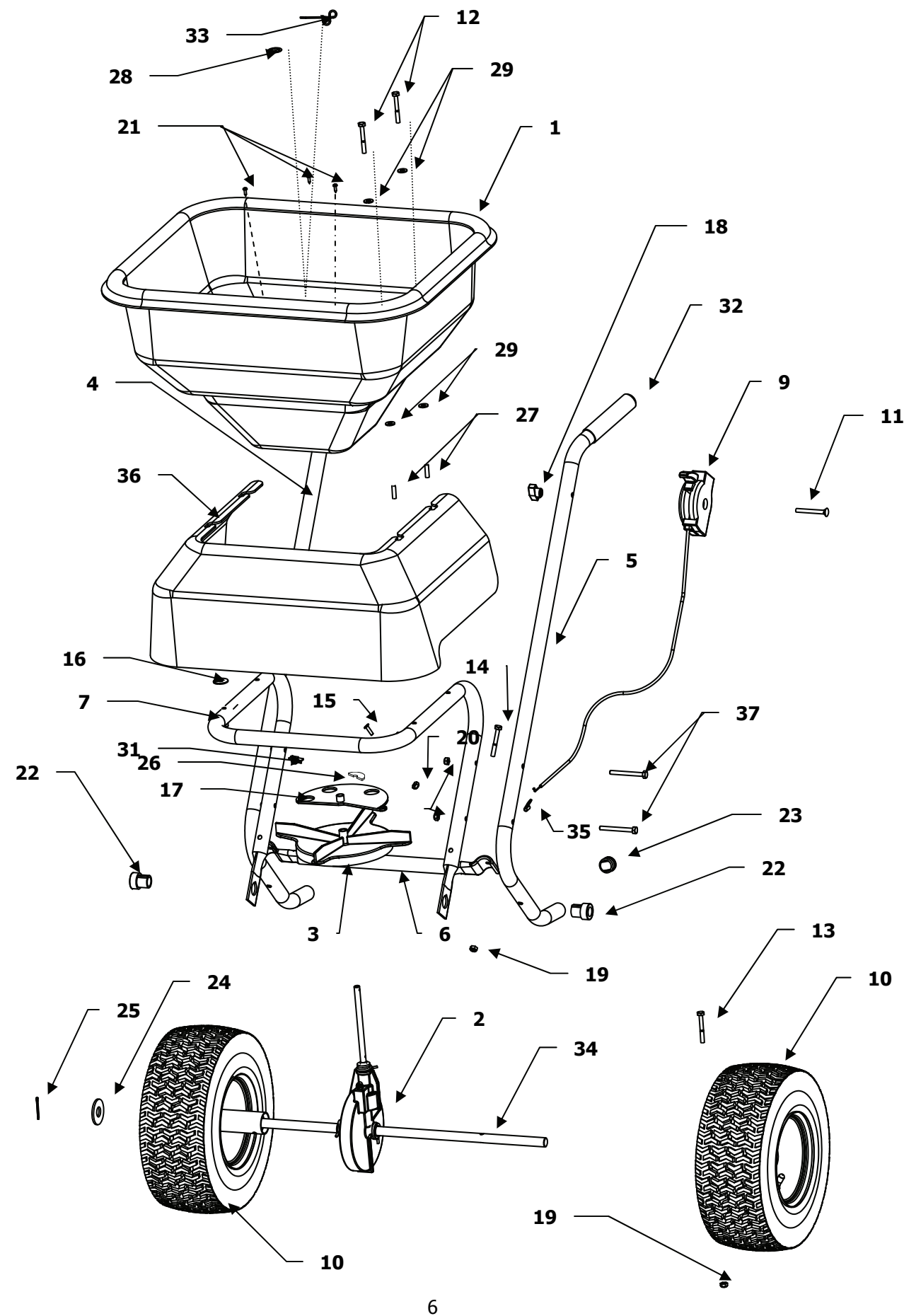
At Precision Products Inc. our goal is to deliver quality, value and outstanding service. If for any reason our product does not meet your expectations, please contact us and we will take care of any problem you may have with this unit.

When ordering replacement parts please have the model number, part description, part number, inspector number and date on box, available so that we can best serve you.

1 (800) 225-5891

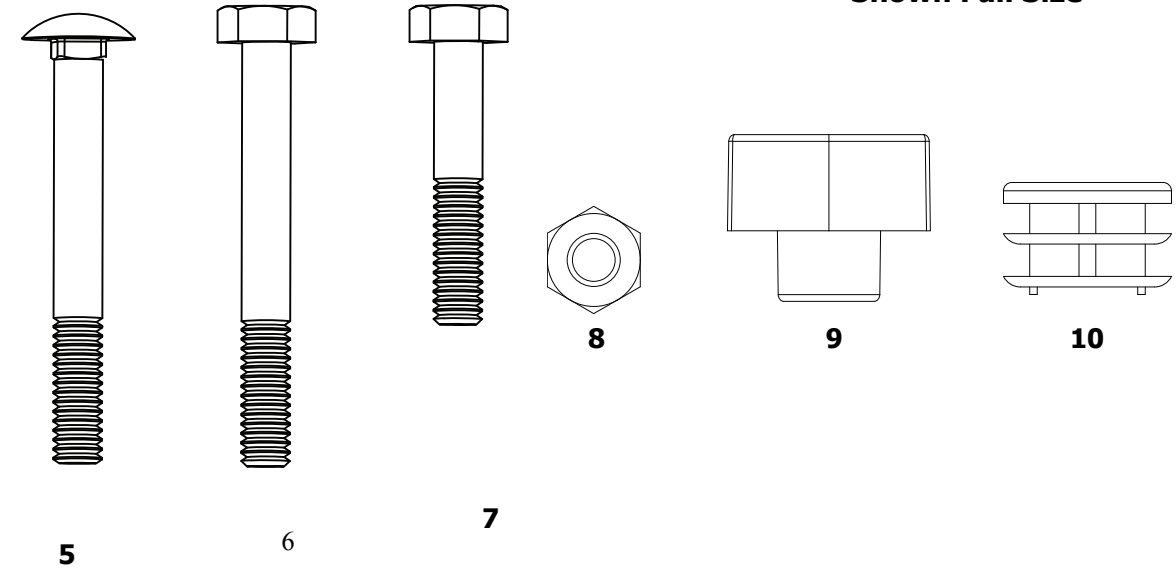
www.precisionprodinc.com

**Precision Products Inc.
316 Limit St.
Lincoln IL 62656**

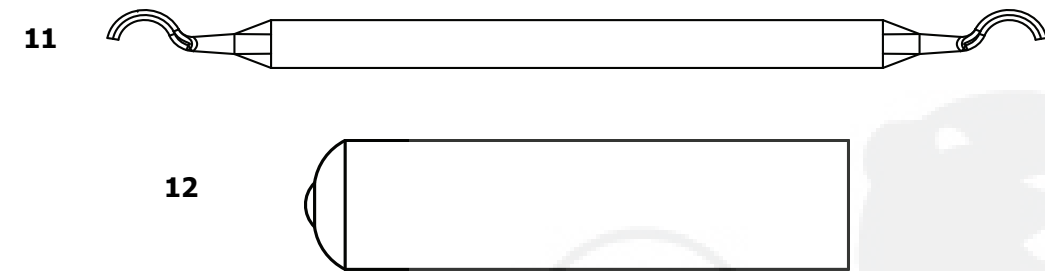


Parts Used During Assembly Parts are attached to unit prior to assembly.

Shown Full Size



Not Shown Full Size



Ref.	Qty.	Description
1	1	Hopper Assembly
2	1	Left Handle
3	1	Right Handle
4	1	Deflector
5	1	1/4" x 2- 1/4" Carriage Bolt
6	4	1/4" x 2-1/4" Hex Head Bolt
7	2	1/4" x 1-1/2" Hex Head Bolt
8	6	1/4" Nylock Nut
9	1	1/4" Wing Nut
10	2	1" Tube Plug
11	1	Support Brace
12	2	1" Handle Grip

Having Problems?

- Installation Questions?
- Missing Parts?
- Replacement Parts?

STOP *Don't go back to the store!*
Let us help you!

Please call our helpful Customer Service Department
Toll-Free at **(800) 225-5891** We will be happy to assist you.

*Denotes quantity used in assembly.
This is NOT total number of pieces.
See page 7 for full listing.

Assembly Instructions

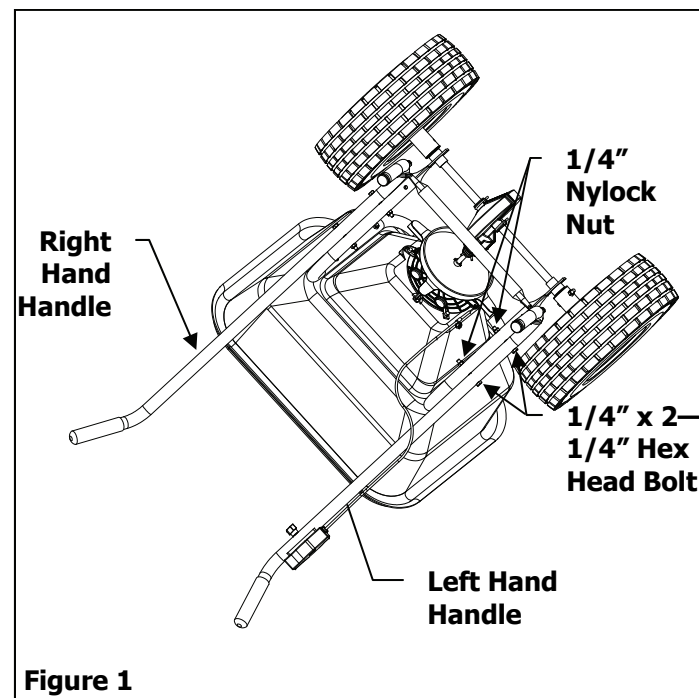
Tools Required for Assembly

Minimum
(2) 1/2" Wrench

Remove from Carton

Remove all parts and hardware packages from the carton. Lay out all parts and hardware and identify them using the illustrations on pages 2 and 3

1. Attach both the Right Hand Handle and the Left Hand Handle to the outside of the Wrap Around Support using 1/4" x 2 x 1/4" Hex Head and 1/4" Nylock Nuts. The top bolts will go from the outside—in and the bottom bolts will go from inside—out. See Figure 1.



2. Attach the Support Brace to the bottom of the Right Hand Handle and the Left Hand Handle, using 1/4" x 1-1/2" Hex Head Bolts and 1/4" Nylock Nuts. See Figure 2.

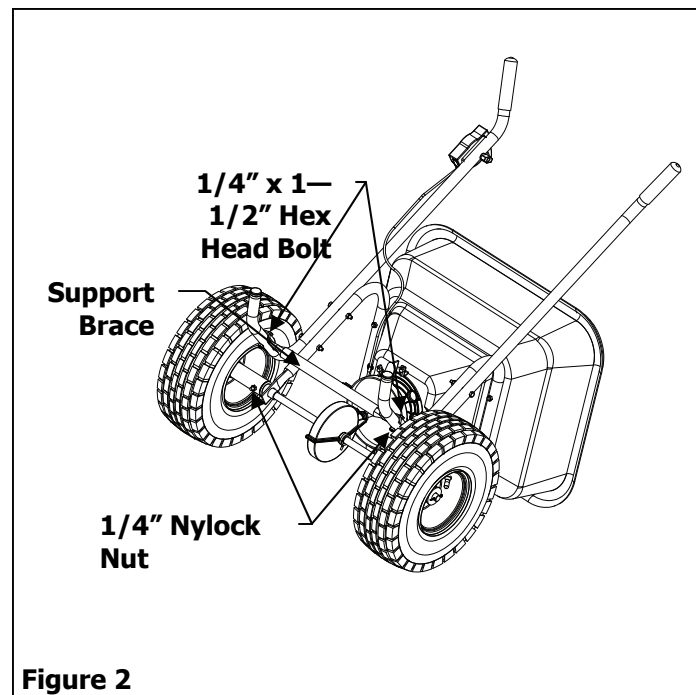


Figure 2

3. Attach the Control Cable to the outside of the Left Hand Handle using a 1/4" x 2-1/4" Carriage Bolt and a 1/4" Wing Nut. Insert the 1" Tube Plugs inside the opening of both handle bottoms. Place the 1" Handle Grips over both Handle tops. See Figure 3.

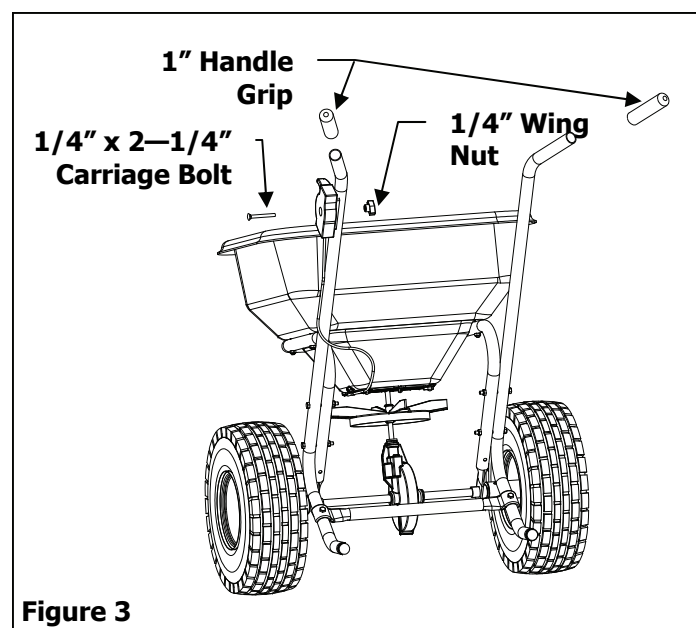


Figure 3

4. To install Deflector, begin at one of the rear corner slots on Deflector place the slot on the top of a Fender Washer, push into place, repeat process until all four slots are in place. To remove Deflector reverse process. See Figure 4.

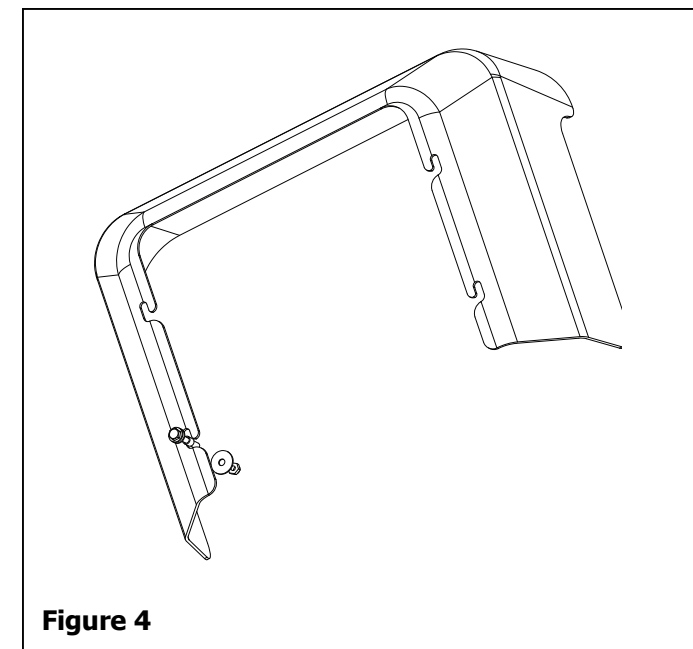


Figure 4

Using Your Spreaders Controller

Settings are made by pushing down on the Calibration Indicator button and setting to the desired number on the Control Cable Assembly.

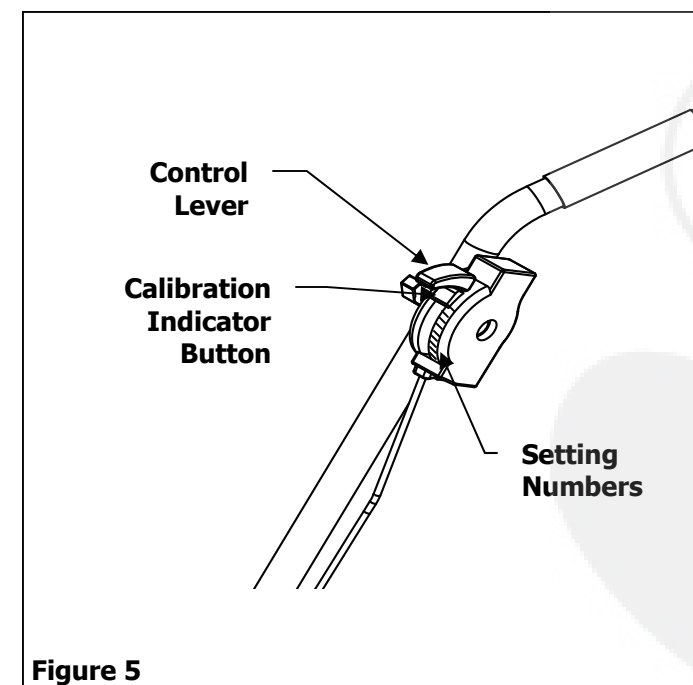


Figure 5

See Application Chart For Setting Information.

ON—Push the Control Lever forward until it stops against Calibration Button.

OFF—Pull Control Lever back until it stops.

Maintenance Instructions

1. Empty hopper after each use. Do not store spreader with material left in hopper.
2. Wash spreader thoroughly and wipe dry.
3. Lubricate all moving parts. Use a grease gun to apply grease to the gearbox assembly. **CAUTION: Use a reasonable amount of grease. DO NOT pack gearbox full of grease.** Apply oil to spinner shaft (including area shaft that extends through hopper), slide plate and where the spinner shaft and axle extend through the gearbox.

Broadcast Spreader Operation

1. Always have the control lever in OFF position before filling the hopper.
2. Always push the spreader forward to operate: do not operate in reverse.
3. Start moving forward before pushing the control lever to the ON position. Pull the control lever to OFF position before stopping or turning.
4. Push the spreader at a steady pace.
5. To avoid misses or striping, space each pass across the lawn so approximately 20% of the spread with overlaps onto the previous pass. This provides a "feathered" overlap to even out distribution over the width of the spread.

DO NOT allow spreader to sit stationary with material in the hopper and control lever in the ON position

CAUTION: Care must be taken with any weed killer, pesticide, or combination product. They can be harmful to other plant life in the yard.

Maximum operating weight—130 lbs.