

The limited warranty set forth below is given by Precision Products Inc. with respect to new merchandise purchased and used in the United States, its possessions and territories.

Precision Products Inc. warrants the product(s) listed against defects in material and workmanship, and will at our option, repair or replace, free of charge, any part found to be defective in materials or workmanship. This limited warranty shall only apply if this product has been assembled, operated, and maintained in accordance with the owner's manual furnished with the product, and has not been subject to misuse, abuse, neglect, accident, improper maintenance, alteration, vandalism, theft, fire, water, or damage because of other peril or natural disaster.

Normal wear parts or components thereof are subject to separate terms as follows: All normal wear parts or component failures will be covered on the product for a period of one year. Parts found to be defective within the warranty period will be replaced at our expense. Our obligation under this warranty is expressly limited to the replacement or repair, at our option, of parts found to be defective in material and workmanship.

Contacting Service

Warranty parts replacements are available, ONLY WITH PROOF OF PURCHASE, through our Customer Service Department.

Call **1 (800) 225-5891**

This limited warranty does not provide coverage in the following cases:

1. Routine maintenance items such as lubricants and filters.
2. Normal deterioration of the exterior finish due to use or exposure.
3. Transportation and/or labor charges.

No implied warranty, including any implied warranty of merchantability of fitness for a particular purpose, applies after the applicable period of expressed written warranty above as to the part as identified below. No other expressed warranty, whether written or oral, except as mentioned above, given by any person or entity, including a dealer or retailer, with respect to any product, shall bind Precision Products Inc. during the period of the warranty, the exclusive remedy is repair or replacement

of the product as set forth above. The provisions as set forth in this warranty provide the sole and exclusive remedy arising from the purchase.

Precision Products Inc. will not be liable for incidental or consequential loss or damage including, without limitation, expenses incurred for substitute or replacement lawn care services, or for rental expenses to temporarily replace a warranted product.

Some states do not allow the exclusion of limitation of incidental or consequential damages, or limitations on how long an implied warranty lasts, so the above exclusions or limitations may not apply to you.

During the warranty period, the exclusive remedy is replacement of the part. In no event shall recovery of any kind be greater than the amount of the purchase price of the product sold. Alteration of safety features of the product shall void this warranty. You assume the risk and liability for loss, damage, or injury to you and your property and/or to others and their property arising out of the misuse or inability to use this product.

This limited warranty shall not extend to anyone other than the original purchaser or to the person for whom it was purchased as a gift.

Local Law to this Warranty

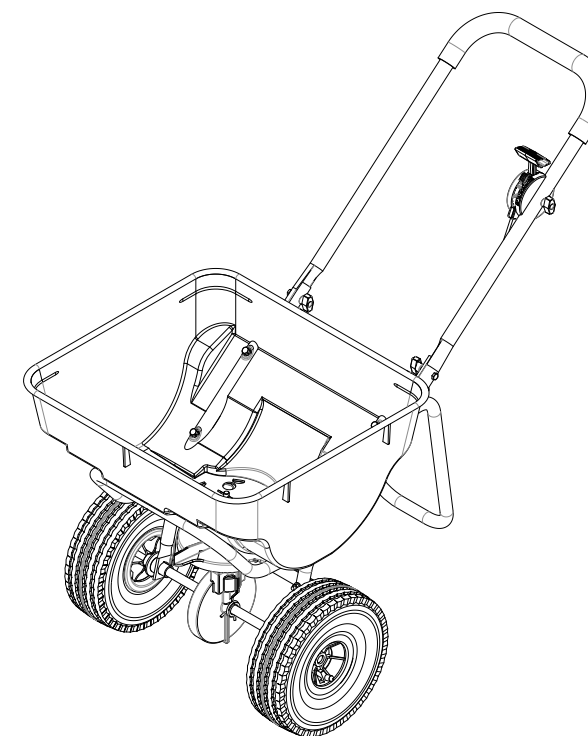
This limited warranty gives you specific legal rights, and you may also have other rights which vary from state to state.

Warranty Period

The warranty period stated below begins with the **Proof of Purchase**. Without the proof of purchase, the warranty period begins from the date of manufacture.

Product Warranty Period

The warranty period for this product is as follows: All parts are covered for 1 year.



Rock Salt is not recommended for use in this Spreader. Remove agitator when using Ice Melt.

Tread pattern on tires may vary.

Manual Contents

Safety Instructions	2
Assembly.....	2
Operation.....	2
Maintenance.....	2
Application Chart	5&6
Parts	7
Warranty.....	8

Your New Broadcast Spreader

Congratulations on your purchase of a new Precision Products Inc. Broadcast Spreader. Your spreader has been engineered and built to give you the most dependable and best performing product possible.

If you experience any problem you can not easily resolve, please feel free to contact our knowledgeable and helpful customer service department toll-free at **1 (800) 225-5891**.

Caution: Carefully read all rules and instructions for safe operation. Retain this manual for reference.

Rules for Safe Operation

The following safety precautions are suggested. This broadcast spreader is designed, engineered and tested to offer reasonably safe and effective service, provided that it is operated in strict accordance with these instructions. Failure to do so may result in personal injury. Always observe the rules of safe operation. Please read and retain this manual.

1. Do not allow anyone to operate the broadcast spreader without proper instructions.
2. Do not permit children to operate or ride on the broadcast spreader.
3. Wear eye and hand protection when handling or applying lawn or garden chemicals.
4. Read the chemical label instructions and cautions for handling and applying the chemicals purchased for spreading.
5. Keep all nuts, bolts and screws tight to be sure equipment is in safe working condition.
6. Follow maintenance and lubrication instructions as outlined in this manual.
7. Always wear substantial footwear. Do not wear loose fitting clothing that can get caught in moving parts.
8. Stay alert for holes in the terrain and other hidden hazards.

Operation

See Broadcast Spreader Operation and Application Chart.

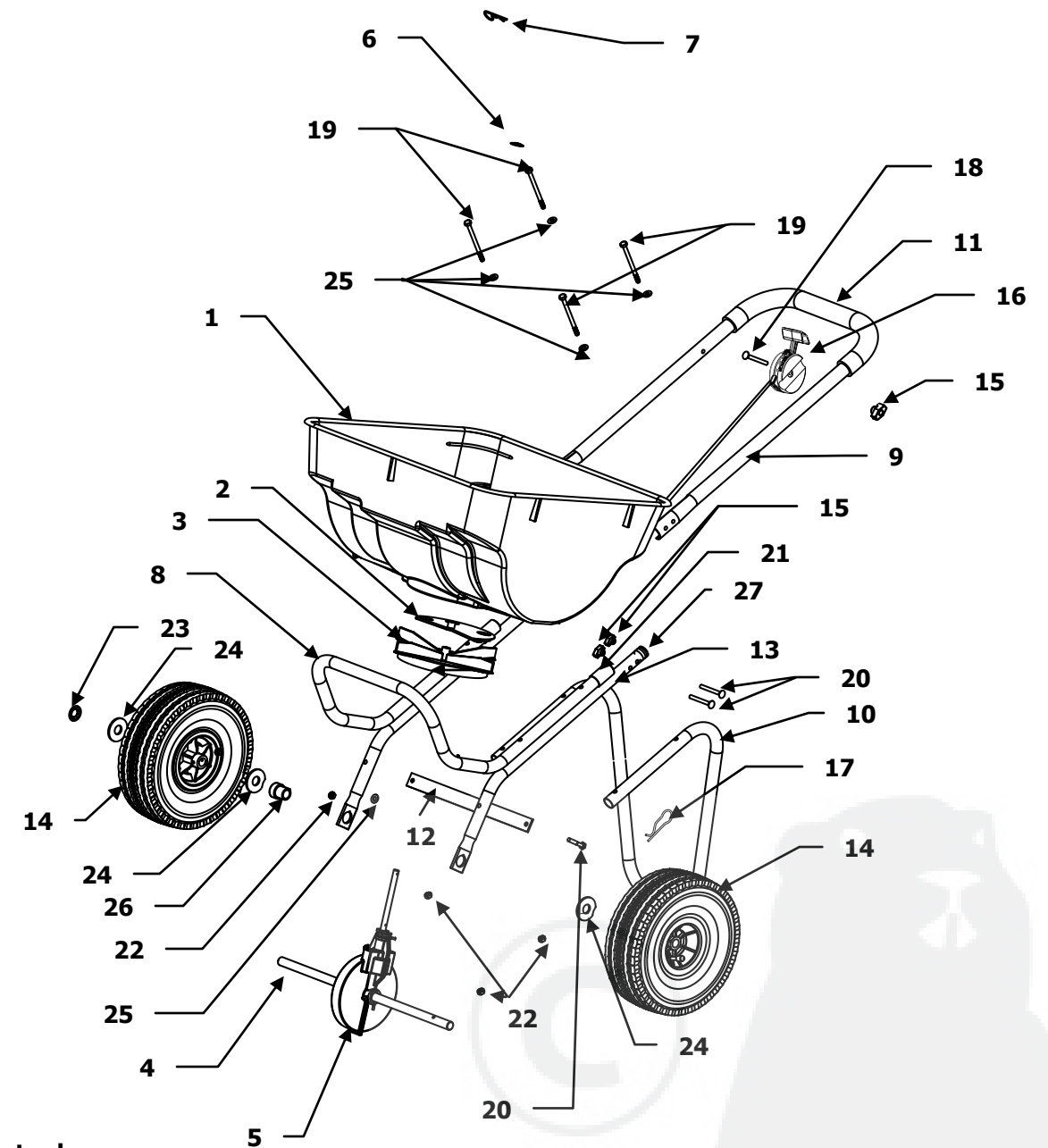
Maintenance Instructions

After each use, wash unit thoroughly, let dry. Lubricate all moving parts, including slide plate, axle and upright shaft with light oil.

Assembly Instructions

1. Remove Spreader from the carton.
2. Lift handle to upright position.
3. Remove the top Four Wing Nuts and Bolts attaching the Handle to the Support Brackets. Lift the Handle to an upright position, then reinsert the Bolts and secure with the wing nuts, be sure to tighten all four of the lower Wing Nuts, as shown in Figure 1.

Warning: Tires must not be inflated to more than 30PSI. Use hand pump only. Inflating the tire to more than 30 PSI of pressure may cause tire/wheel to explode causing serious bodily harm.



Not all parts shown

Ref.	Part No.	Qty.	Description	Ref.	Part No.	Qty.	Description
1	2877	1	Hopper	15	2828	5	1/4" Wing Nut
2	1307	1	Slide Plate	16	2443C	1	Control Cable
3	2614	1	Spinner Disc	17	2576	1	Cotter Pin 3/16" x 2"
4	3855L	1	Axle	18	1868	1	1/4" x 2-1/2" Carriage Bolt
5	2297	1	Gear Case Assembly	19	4466	4	1/4" x 3-1/2" Hex Head Bolt
6	2174	1	3/8" Retaining Ring	20	6129	6	1/4" x 1-1/2" Hex Head Bolt
7	2148PU	1	Agitator Pin	21	2582	2	Tube Cap
8	2908B	1	Wrap-Around Support	22	1270	6	1/4" Hex Head Nut
9	3575BB	1	Handle w/cover	23	3333	1	5/8" Retaining Ring
10	2887TB	1	Leg Stand	24	1646	3	5/8" Flat Washer
11	2415	1	Foam Handle Cover	25	1817	4	1/4" Flat Washer
12	2546B	1	Cross Brace	26	6214	2	5/8" Wheel Bushing
13	5096TB	2	Support	27	1053	2	7/8" Tube Plug
14	2029	2	Wheel				

Calculating Your Flow Setting

To calculate how many pounds of material to spread per 1000 square feet of lawn. Follow these steps.

1. Read on your material bag how many square feet of area the contents of the bag will cover and how many pounds the bag weighs.
Example:
You have purchased a bag of fertilizer that states that it will cover 5,000 square feet, and weighs 16.0 pounds.
2. To calculate coverage divide bag weight by suggested coverage to obtain pounds per square foot that is needed to be applied.
Example:
 $16.0 \text{ lbs.} \div 5,000 \text{ sq. ft.} = .0032 \text{ lbs./sq. ft.}$
3. To calculate how much you need for 1000 sq. ft. multiply the pounds per square foot obtained above by 1000.
Example:
 $.0032 \text{ lbs/sq. ft.} \times 1000 = 3.2 \text{ lbs./1000 sq. ft.}$
4. Refer to standard settings table and locate the appropriate settings number.
Example:
3.2 lbs./1000 sq. ft is closest to a 3 lbs./1000 sq. ft so the spreader setting is a 5.

These are general information setting intended to be used as only references.

STANDARD SETTINGS

Fertilizer Lbs. per 1000 sq. ft.	Setting Broadcast Spreaders
2.5	4
3.0	5
3.5	5.5
4.0	6
Grass Seed	Setting
Blue Grass	3
Bent Grass	3
Fine Mixture	10
Coarse Seed	10
Insecticide (Diazinon)	Setting
	3.5

⚠ Caution

On the bag of **fertilizer** there should be a **chart** that gives the recommended settings for that particular bag. Because different manufactures of **fertilizer** make the granules different sizes it is impossible for spreader manufactures to give guidelines for all of the different fertilizers. In addition to this walking speed and terrain, may vary, therefore settings may need to be adjusted. Because of these conditions, Precision Product Inc. makes no warranty as to the uniformity of coverage actually obtained from any of these

$$\begin{array}{r}
 \text{_____ Length} \\
 \times \text{_____ Width} \\
 \hline
 = \text{_____ Total sq. ft.} \\
 - \text{_____ Non-Lawn Area} \\
 \quad \text{House, drive etc.} \\
 \hline
 = \text{_____ Total sq. ft.} \\
 \quad \text{Coverage}
 \end{array}$$

CALCULATING COVERAGE AREA

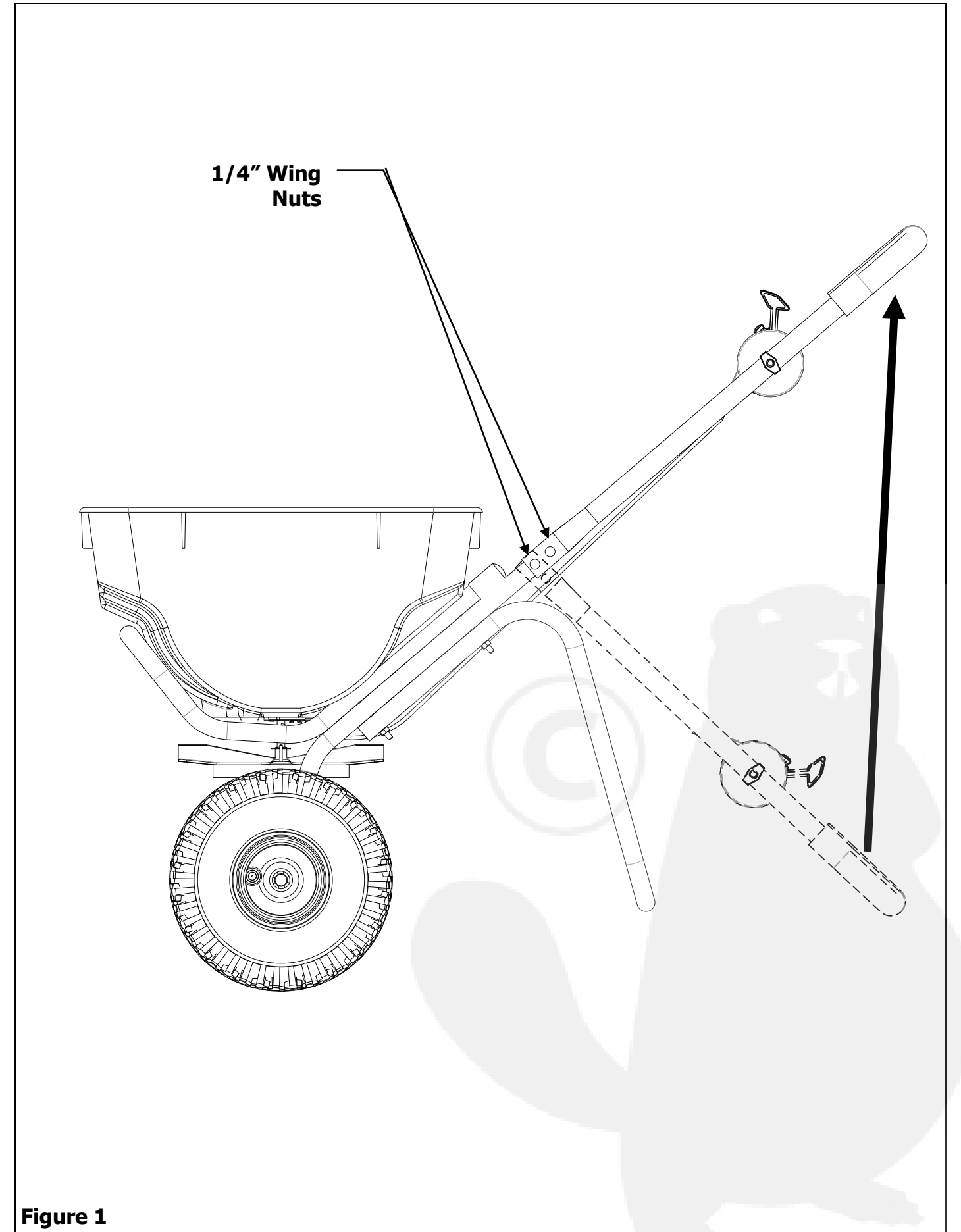
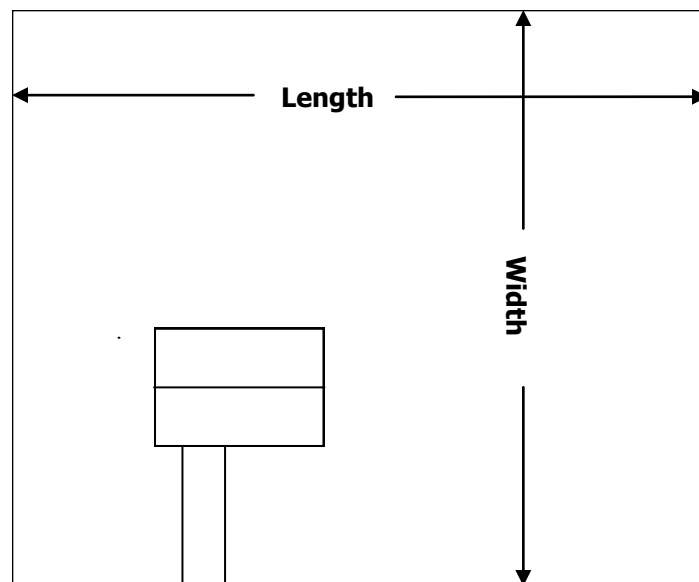


Figure 1

Using your Spreader Controller

Settings are made by loosening the Wing Nut and sliding the Calibration Indicator to the desired setting, tighten the Wing Nut. Pull the Control Lever to the desired setting and begin spreading. To stop fertilizer distribution, push the Control Lever forward, to the closed position.

See Application Chart for Setting Information.

Broadcast Spreader Operation

1. Always have the control lever in the OFF position before filling the hopper.
2. Always push the spreader forward to operate; do not operate in reverse.
3. Start moving forward before pushing the control lever to the ON position. Pull the control lever to the OFF position before stopping or turning.
4. Push the spreader at a steady speed.
5. To avoid misses or striping, space each pass across the lawn so approximately 20% of the spread width overlaps the previous pass. This provides a feathered overlap to even out distribution over the width of the spread.

Maintenance Instructions

1. Before each use, check all nuts and bolts for tightness.
2. Empty hopper after each use. Do not store spreader with material left in hopper.
3. Wash spreader thoroughly and wipe dry. The key to years of trouble-free service is to keep your unit clean and dry.
4. If rust should develop, sand lightly and then paint area with enamel.

Storage

1. Rinse inside of hopper and exterior of spreader.
2. Store in a clean, dry area.

DO NOT allow spreader to sit stationary with material in the hopper and control lever in the ON position.

CAUTION: Care must be taken with any weed killer, pesticide, or combination product. They can be harmful to other plant life in the yard.

Parts and Support

STOP *Please do not return this product to the store prior to contacting Precision.*

At Precision Products Inc. our goal is to deliver quality, value and outstanding service. If for any reason our product does not meet your expectations, please contact us and we will take care of any problem you may have with this unit.

When ordering replacement parts please have the model number, part description, part number, inspector number and date available so that we can best serve you.

1 (800) 225-5891

www.precisionprodinc.com

**Precision Products Inc.
316 Limit St.
Lincoln IL 62656**

Broadcast Spreader Application Chart

Applying Product

1. Set Flow Rate

- Calculate or find the rate setting for the product being spread. See the calculation chart on the next page.
- With control lever in the off position, press down on the calibration indicator button and slide it to desired setting number.

2. Fill the Hopper

- With the spreader control lever in the off position, fill the spreader over a patch of bare ground or sidewalk/driveway.
- **DO NOT** fill the spreader on the lawn. Sweep up any spilled product.

3. Apply

- While unit is in motion at approximately 3 miles per hour, push spreader control lever up to calibration indicator button to release product.

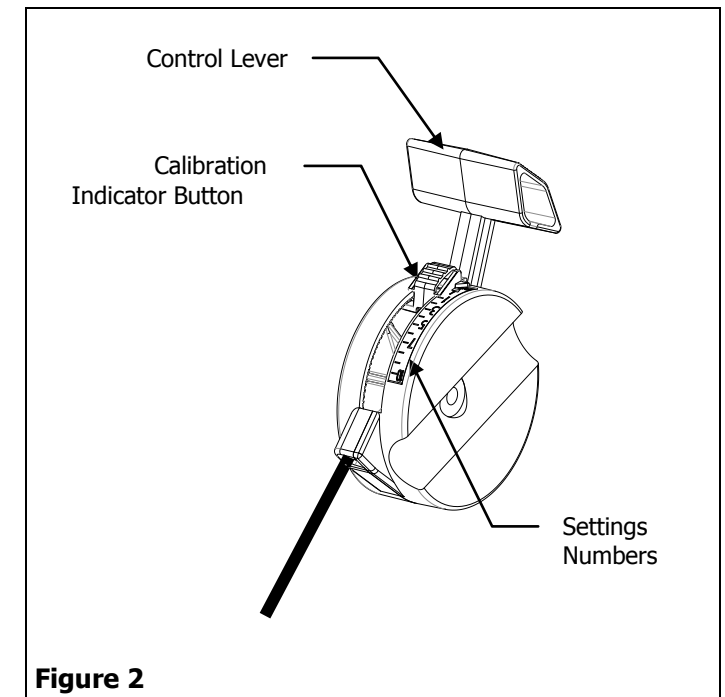


Figure 2

Application Tips

- **For rectangular lawns**, apply two header strips at each end of the lawn and then go back and forth between the header strips. Close spreader at the end of each pass and reopen at the start of next pass.
- **For irregular-shaped lawns**, apply one header strip around the entire lawn, and then go back and forth.
- To avoid streaks or misses, slightly overlap each strip over the edge of the previous strip.
- Use the settings under "Standard Settings" Section for most applications by figuring lbs. per 1000 square feet.
- These numbers are for a one pass application.
- A two pass application is recommended, using a crisscross pattern. If using this method, use half the setting number given.
- If you think too much is being applied, cut down your setting. The solution for too much fertilizer is water.
- Close Spreader at the end of each pass. Open again at the start of your next pass.

