

2005 NEW  
JUN

SINCE 1839  
**BRINLY**  
SINCE 1839  
**BRINLY**  
**OWNER'S MANUAL**

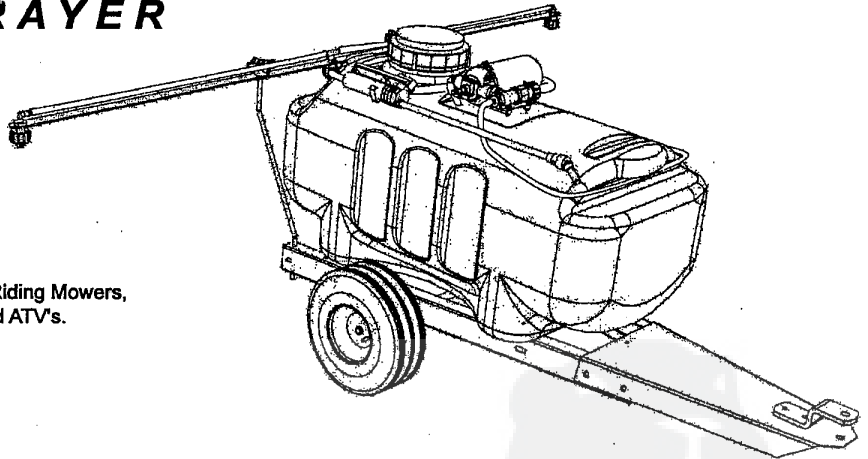
**25 GALLON TOW-BEHIND  
LAWN SPRAYER**

SPRAYER MODEL:

**ST-250 BH**

- Assembly
- Installation
- Operation
- Repair Parts

Recommended for use with Riding Mowers,  
Lawn or Garden Tractors, and ATV's.



For the latest product updates and setup tips:

Visit us on the web  
[www.brinly.com](http://www.brinly.com)

Important: This manual contains information for the safety of persons and property. Read it carefully before assembly and operation of the equipment!

L-1668-01

CONGRATULATIONS on your new Brinly-Hardy Sprayer! Your Sprayer has been designed, engineered and manufactured to give you the best possible dependability and performance.

Should you experience any problem you cannot easily remedy, please do not hesitate to contact our **Customer Service Department** toll-free at **1-877-728-8224**.

Please read and retain this manual. The instructions will enable you to assemble and maintain your sprayer properly. And please, always observe the "Safety Rules".

## CUSTOMER RESPONSIBILITIES

Read and Observe the "Safety Rules".

Follow a regular schedule in maintaining, caring-for and using your Brinly Sprayer.

## TABLE OF CONTENTS

SAFETY RULES .....	2
HARDWARE.....	3
PARTS REFERENCE .....	4,6
PARTS LIST .....	5,7
ASSEMBLY .....	8-10
ELECTRICAL CONNECTION.....	10
MAINTENANCE .....	10
OPERATION .....	10
PRODUCTS .....	11
WARRANTY.....	11



This symbol will help to point out important safety precautions throughout this manual. It means - ATTENTION! BECOME ALERT! Your safety is involved.

## RULES FOR SAFE OPERATION

- Know your pulling equipment's controls and safety features. READ YOUR EQUIPMENT OWNER'S MANUAL FOR SAFE OPERATION OF YOUR EQUIPMENT!
- Do not allow children to operate the vehicle. Do not allow adults to operate without proper instruction or without having read the Owner's Manual.
- Do not carry passengers. Keep children and pets a safe distance away.
- Always wear substantial footwear. Do not wear loose fitting clothing that can get caught in moving parts.
- Keep your eyes and mind on your tractor/attachment and area being covered. Do not let other interests distract you.
- Stay alert for holes in the terrain and other hidden hazards.
- Do not drive close to creeks, ditches and public highways.
- Watch out for traffic when crossing or near roadways.
- When using any attachment, don't allow anyone near the vehicle while in operation.
- Keep the vehicle and attachment in good operating condition and keep safety devices in place.
- Keep all nuts, bolts and screws tight to be sure the equipment is in safe working condition.
- The vehicle and attachment should be stopped and inspected for damage after striking a foreign object. The damage should be repaired before restarting and operating the equipment.
- See tractor equipment Owner's Manual for safe operation of the equipment.

### Caution!



Always add chemicals to water, not water to chemicals!

Keep the water hose used to fill the tank out of the chemicals, failure to do this could result in a contaminated hose system.

Use and Properly dispose of chemicals in accordance with the chemical manufacturers instructions.

Never in a drain or near a lake or stream.

Always be sure to wear protective eyewear (goggles) when filling your sprayer and when spraying chemicals.

Wear protective clothing that is close fitting and that covers your arms and legs.

**DO NOT** use flammable chemicals.

Follow chemical manufacturer's instructions.

**DO NOT** permit children on or around the Sprayer while in use.

Always operate your Sprayer within the speed limit for which it was designed ( 3 m.p.h.).

When backing - carefully back straight to avoid jackknifing, which could result in damage to equipment.

Your Sprayer when filled with 25 Gallons of water will weigh approximately 250 pounds.

**ALLOW FOR EXTRA STOPPING DISTANCE!**

This product is not designed for use in sand or gravel, or to carry extra weight.

Lock nuts must be used where specified. They have a nylon insert in the hole where used.



**HARDWARE REFERENCE**

**Tools Required for Assembly:**  
 1/2" wrench (2)  
 7/16" wrench (1)  
 Pliers

This page is for reference use only  
 All items shown full size unless otherwise  
 specified

**Hardware Bag "A" (Part No. Z1705)**

**53**  
 (10) Hex Flange Bolt 5/16"x 5/8"



**43**  
 (2) Hex Bolt, 5/16x 3/4"



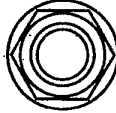
**49**  
 (4) Nylon Lock Nut 1/4"



**50**  
 (8) Nylon Lock Nut 5/16"



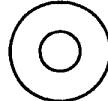
**48**  
 (10) Whiz Lock Nut 5/16"



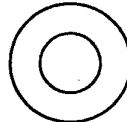
**55**  
 (2) E-Ring 5/8"



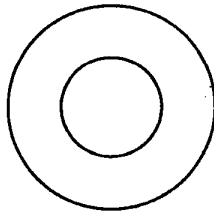
**44**  
 (4) Flat Washer, 1/4"



**45**  
 (4) Flat Washer, 3/8"



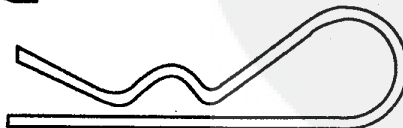
**46**  
 (4) Flat Washer, 5/8"



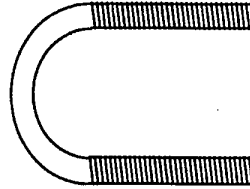
**47**  
 (1) Hitch Pin



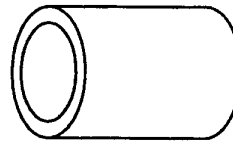
**54**  
 (1) Hitch Pin Cotter



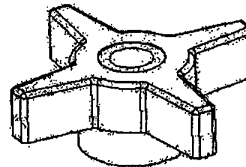
**51**  
 (2) U-Bolt



**52**  
 (2) Axle Spacer



**56**  
 (2) Knob



NOT TO SCALE

**Hardware Bag "B" (Inside Tank)**

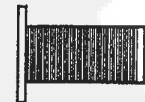
**32**  
 (3) Tip Fitting Nut



**31**  
 (3) Jamb Nut



**30**  
 (3) Strainer



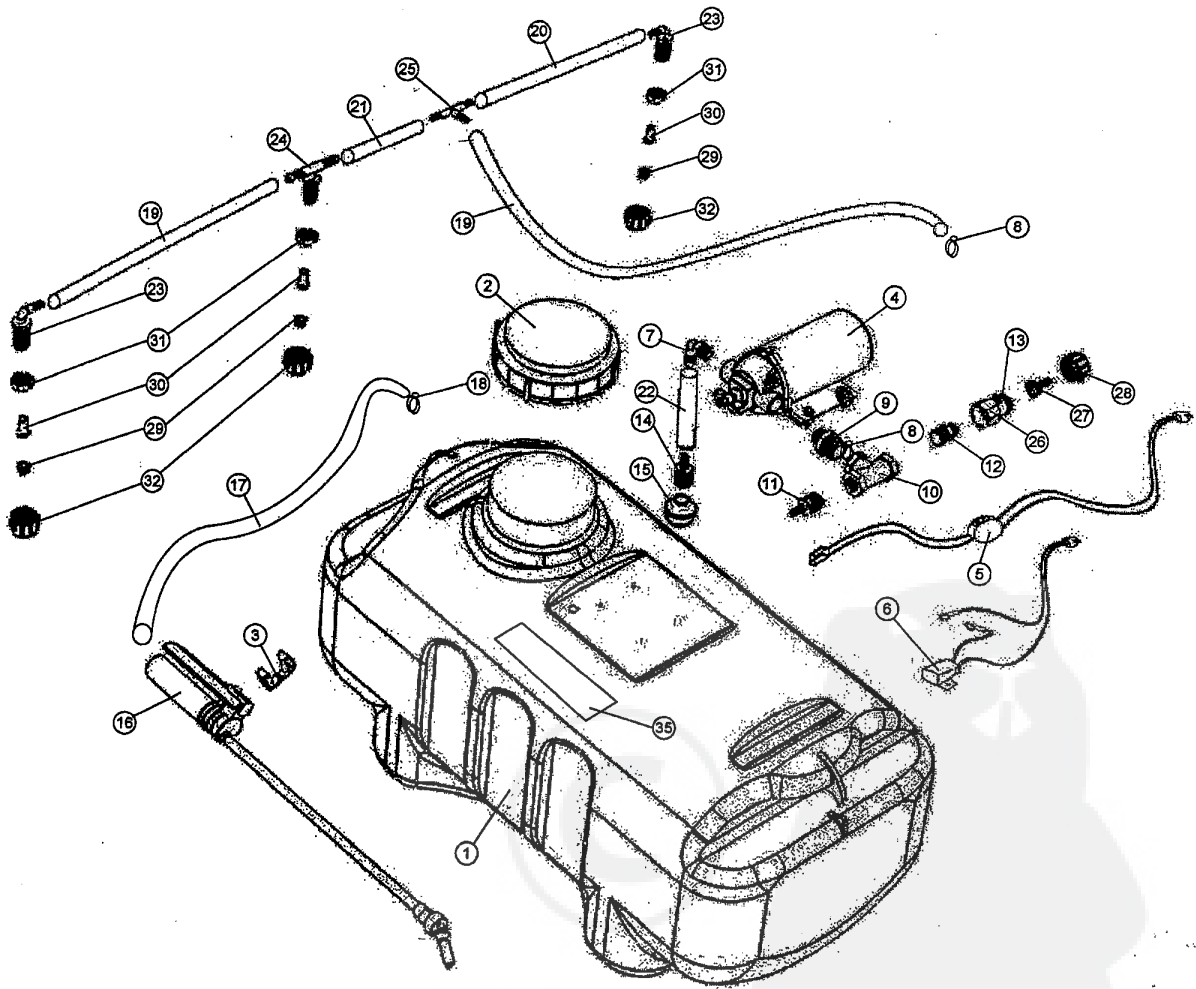
**29**  
 (3) Tip



**Parts Reference (Tank Assembly)** \_\_\_\_\_

To Order Parts:  
Brinly-Hardy Company  
P.O. Box 18  
Jeffersonville, IN. 47131-0018  
877-728-8224

Or visit us on the web:  
[www.brinly.com](http://www.brinly.com)

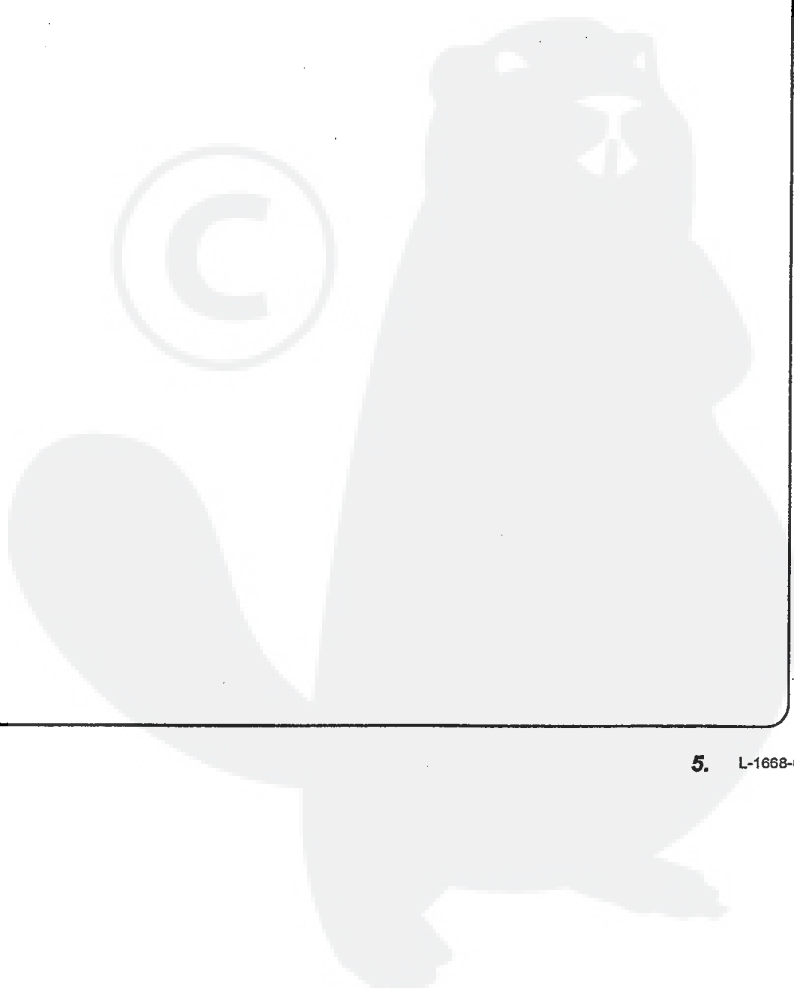
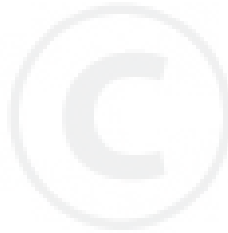


**Parts List (Tank Assembly)**

Ref.No.	Part No.	Description	Qty.	Ref.No.	Part No.	Description	Qty.
1.	B-6025	Sprayer Tank, 25 Gallon	1	21.	B-6036	Hose, 3/8" ID x 7-1/2"	1
2.	B-6028	Tank Cap	1	22.	B-6087	Hose, 3/8" ID x 17"	1
3.	B-6048	Clip, Gun Holder w/screw	1	23.	B-6043	Nozzle Body, 90deg, 3/8" H.B.	2
4.	B-6027	Pump, 1.4 gpm.	1	24.	B-6044	Nozzle Body, Tee, 3/8" H.B.	1
5.	B-6030	Wiring Harness w/switch	1	25.	B-6045	Hose Barb, Tee, 3/8" x 3/8"	1
6.	B-6031	Wiring Harness, Battery Connection	1	26.	B-6053	Ball Valve, 3/4" F.G.H.T. x 3/4" M.G.H.T.	1
7.	B-6046	Elbow 90deg., 3/8" M.P.T. x 3/8" H.B.	1	27.	B-6055	Hose Barb, Flat Seat, 3/8" H.B.	1
8.	B-6047	Hose Clamp	2	28.	B-6056	Nut, Hose Swivel, 3/4" F.G.H.T.	1
9.	B-6049	Nipple, Reducing, 1/2" M.P.T. x 3/8" M.P.T.	1	* 29.	B-6039	Tip, Sprayer	3
10.	B-6050	Tee, 1/2" F.M.P.T.	1	* 30.	B-6040	Strainer, Nozzle	3
11.	B-6051	Hose Barb, 1/2" M.P.T. x 3/8" H.B.	1	* 31.	B-6041	Jamb Nut, Nozzle Fitting	3
12.	B-6052	Nipple, Reducing, 3/4" M.G.H.T. x 1/2" M.P.T.	1	* 32.	B-6042	Nut, Tip Fitting	3
13.	B-6054	Washer, Black Vinyl 1" OD x 3/4" ID	2	35.	B-6020	Caution Decal	1
14.	B-6057	Hose Barb, 3/8" M.P.T. x 3/8" H.B.	1				
15.	B-6059	Strainer, 3/8", #40 mesh	1				
16.	B-6029	Hand-Gun (B-6029A - Tip only for service)	1				
17.	B-6033	Hose, 3/8" ID x 12'	1				
18.	B-6047	Hose Clamp	1				
19.	B-6034	Hose, 3/8" ID x 30"	2				
20.	B-6035	Hose, 3/8" ID x 22"	1				

\* - Bag "B"

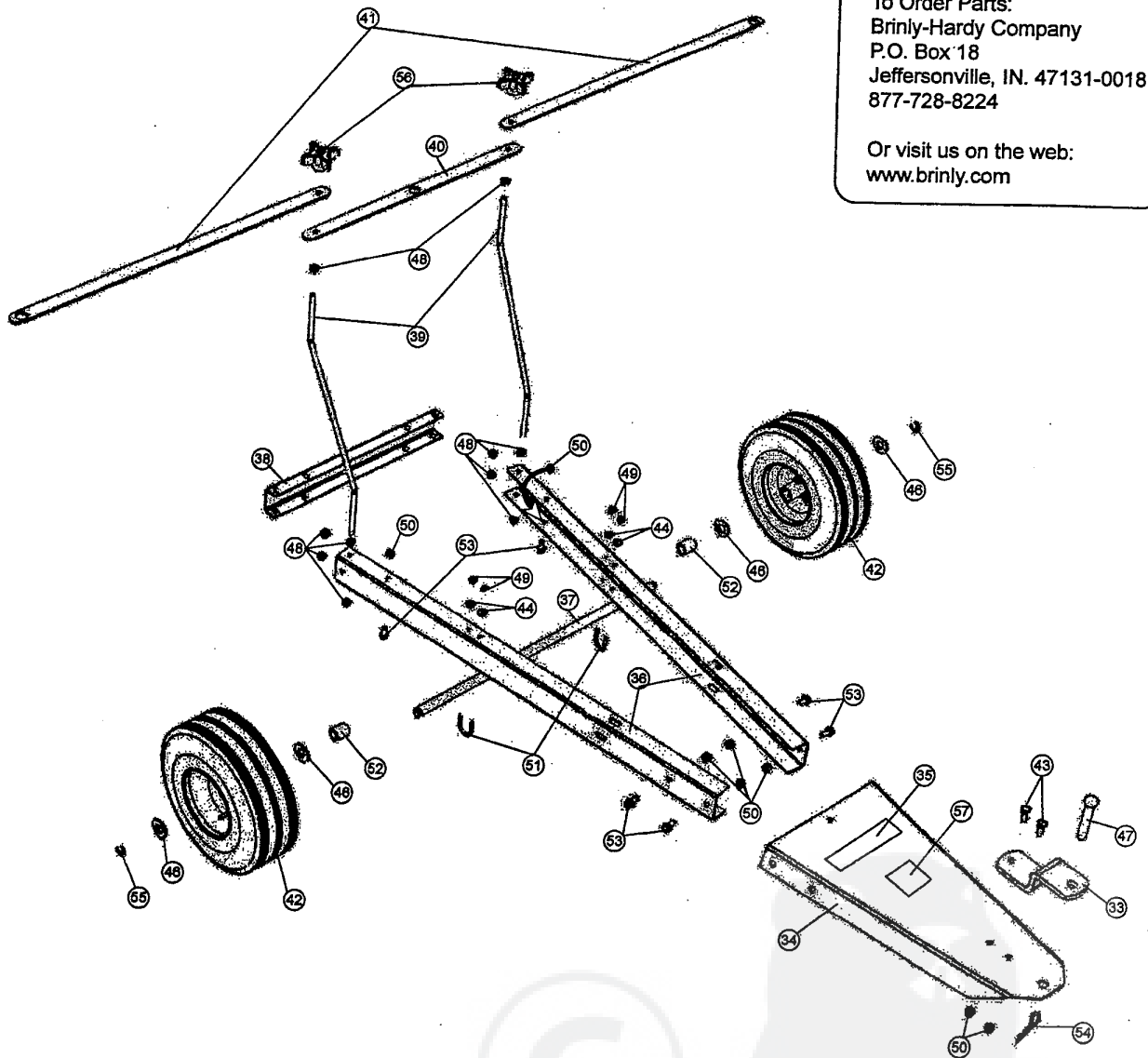
**NOTES**



**Parts Reference (Trailer Assembly)**

To Order Parts:  
Brinly-Hardy Company  
P.O. Box 18  
Jeffersonville, IN. 47131-0018  
877-728-8224

Or visit us on the web:  
[www.brinly.com](http://www.brinly.com)

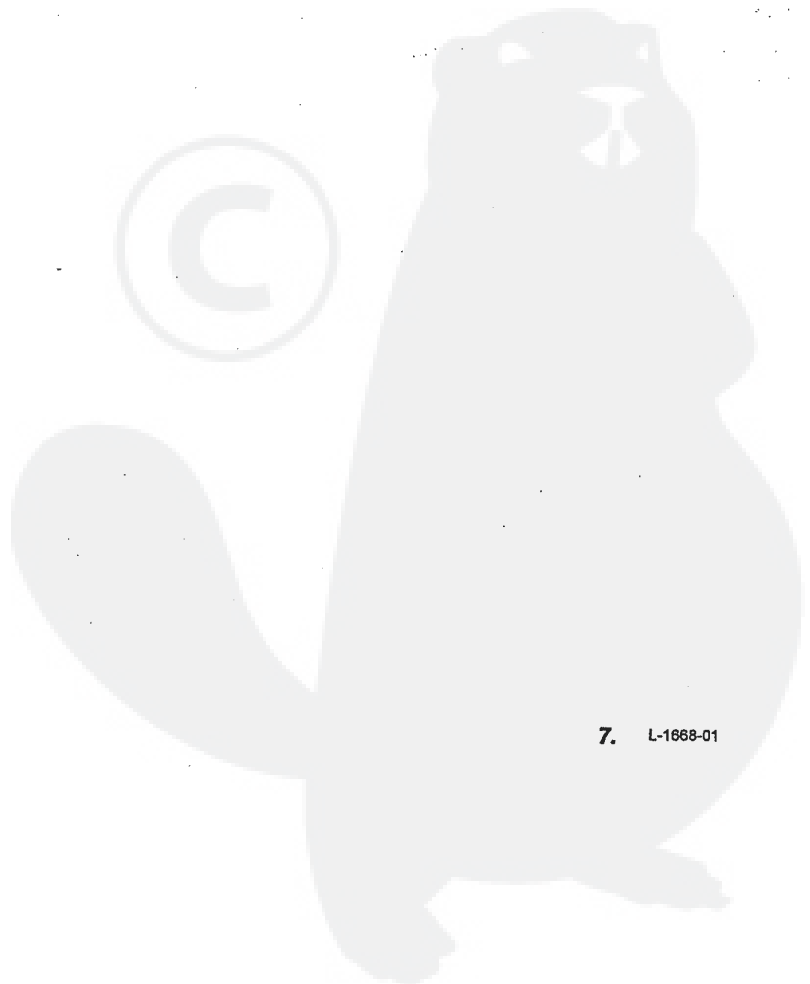
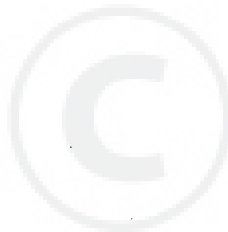


**NOTES**

**Parts List (Frame Assembly)** \_\_\_\_\_

Ref. No.	Part No.	Description	Qty.
33.	B-3034	Clevis	1
34.	B-5682-10	Drawbar	1
35	B-5922	Logo Decal	1
36.	B-5683-10	Frame Channel	2
37.	B-5684	Axle	1
38.	B-6151-10	Tank Support	1
39.	B-5687	Boom Support	2
40.	B-5688-10	Boom Bar	1
41.	B-5690-10	Boom Extension	2
42.	B-5692	Wheel	2
** 43.	1M1012P	5/16" x 3/4" Hex Bolt	2
** 44.	45M0909P	1/4" Flat Washer	4
** 45.	45M1313P	3/8" Flat Washer	4
** 46.	45M2121P	5/8" Flat Washer	4
** 47.	B-3861	Hitch Pin	1
** 48.	B-4355	5/16" Whiz Lock Nut	10
** 49.	B-4785	1/4" Nylon Lock Nut	4
** 50.	B-4786	5/16" Nylon Lock Nut	8
** 51.	B-5017	1/4" U-Bolt	2
** 52.	B-5691	Axle Spacer	2
** 53.	B-5695	5/16" x 5/8" Hex Flange Bolt	10
** 54.	D-146P	Hitch Pin Cotter	1
** 55.	F-577	5/8" E-Ring	2
** 56.	F-782	Knob	2
57.	R-1946	Caution Decal	1

\*\* - Bag "A"



## SPRAYER ASSEMBLY

Figure 1. Use Hardware Bag "A"

NOTE: For steps 1 through 7 below, assemble the hardware finger tight. Following the completion of step 7, tighten the hardware.

1. Assemble the Frame Channels(36) (legs inward) to the Tank Support(38) using two 5/16" x 5/8" Hex Flange Bolts(53) and two 5/16" Nylon Lock Nuts(50).

NOTE: Be sure to use the bottom outside holes when attaching the Tank Support at the rear. Failure to do this allows the nut or bolt to interfere with the Tank later, which could possibly cause a rupture in the Tank.

2. Attach the Drawbar(34) to the other end of the Frame Channels(36) using four 5/16" x 5/8" Hex Flange Bolts(53) and four 5/16" Nylon Lock Nuts(50).

Figure 2.

3. Install the Clevis(33) using two 5/16" x 3/4" Hex Head Bolts(43) and two 5/16" Nylon Lock Nuts(50).

Figure 3.

4. Install the Drawbar Pin(47) and the Hitch Pin Cotter(54).

Figure 4.

5. Install the Axle(37) using two 1/4" U-Bolts(51), four 1/4" Flat Washers(44), and four 1/4" Nylon Lock Nuts(49).

6. To install the Wheels(42), use this sequence for each side; Axle Spacer(52), 5/8" Flat Washer(46), Wheel(valve stems out!)(42), 5/8" Flat Washer(46), and finally an "E" Ring(55). Center the axle and tighten the four 1/4" Nylon Lock Nuts(49).

NOTE: Be sure to grease wheels before use if your wheels are supplied with grease fittings. If they are not supplied, you have roller bearing wheels.

Figure 1.

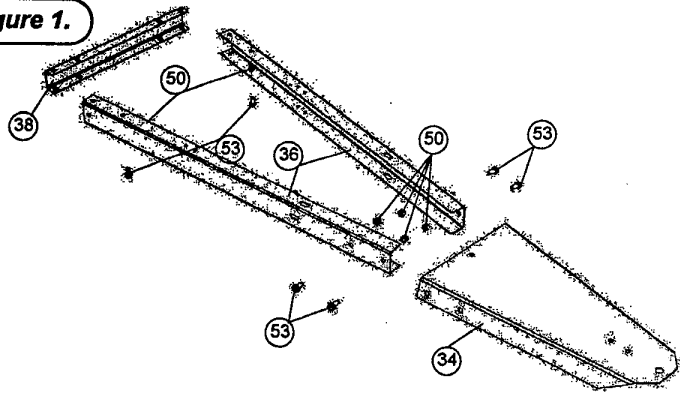


Figure 2.

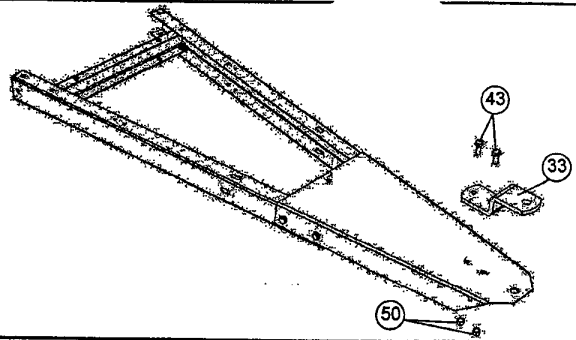


Figure 3.

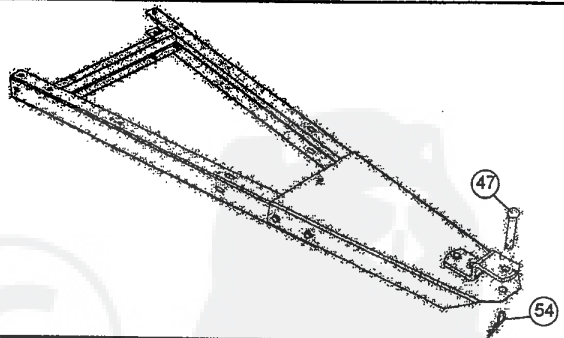
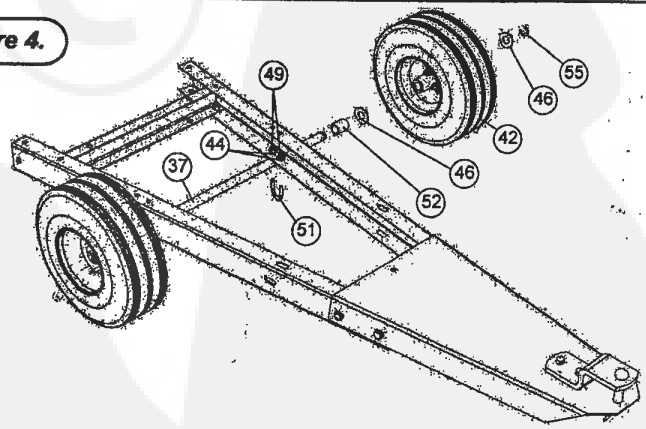


Figure 4.





## SPRAYER ASSEMBLY cont.

Figure 5. Use Hardware Bag "A"

7. Attach the frame assembly onto the bottom of the sprayer Tank(3) using four 5/16" x 5/8" Hex Flange Bolts(53), and four 3/8" Flat Washers(45). Two of the bolts will attach through the Rear Cross Brace(38) to the bottom of the tank, while the other two bolts will attach to the tank through the Channel Leg(36).

NOTE: The Tank should mount to the frame with the pump forward of the wheels (toward the tractor), and the fill hole to the rear.

Figure 5.

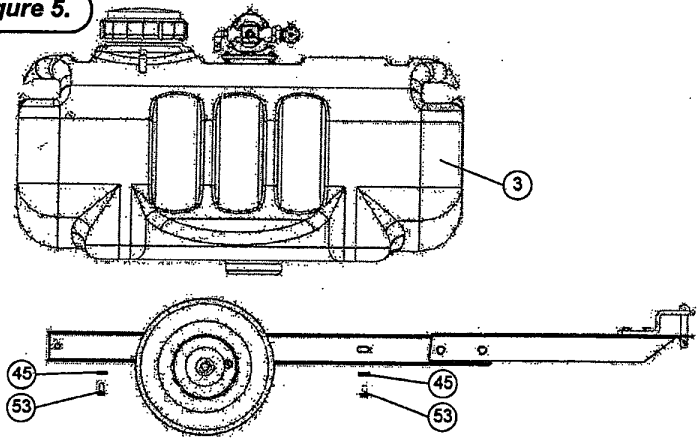


Figure 6.

8. Install the two Boom Supports(39) (bent angle projecting backwards, away from frame channels) using eight 5/16" Whiz Lock Nuts(48) above and below each leg of the Frame Channel(36).

Figure 6.

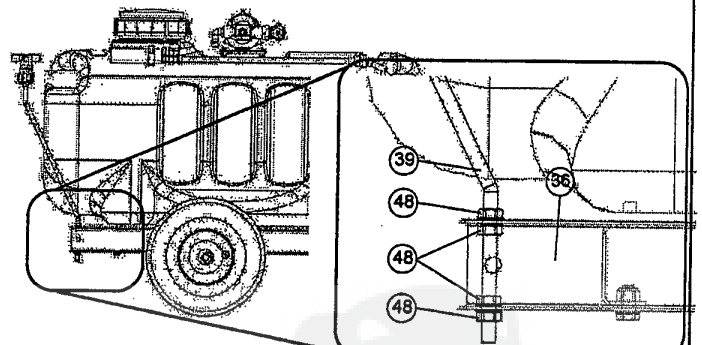
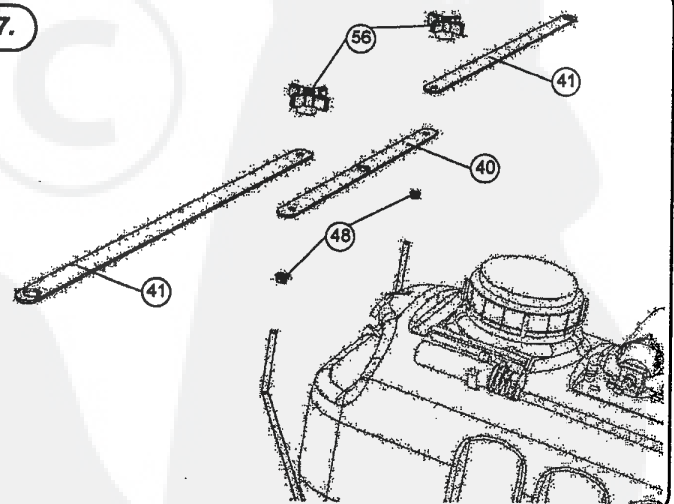


Figure 7.

9. The top of the boom assembly is assembled as shown with two 5/16" Whiz Lock Nuts(48), Boom Bar(40), two Boom Extensions(41)(ends with small holes), and two Knobs(56).

Figure 7.



## TIP ASSEMBLY AND LEVELING

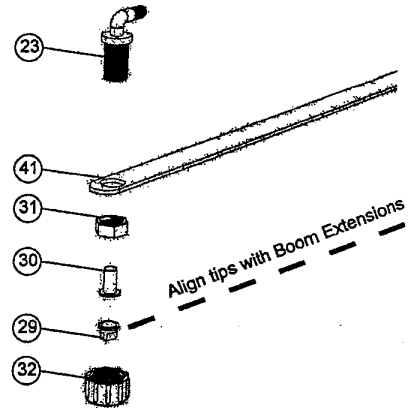
Figure 8. Use Hardware Bag "B"  
Packed inside Tank Assembly

10. Install the three Nozzle Bodies(23) into the holes of the Boom Extensions(41) and Boom Bar(40). Secure with three Jamb Nuts(31). Install the Nozzle Strainer(30), the Sprayer Tip(29), and secure with Tip Fitting Nut(32).

NOTE: Be sure the spray tip outlet is aligned parallel with the Spray Boom Extensions(41) and Boom Bar(40). The tips should be adjusted to be about 21" from the ground when the unit is hitched to towing equipment.

The unit can now be hitched to your towing equipment and operated.

Figure 6.



### ELECTRICAL CONNECTIONS

Your Brinly Sprayer uses 12-volt D.C. power.

Attach the Red Lead to the Positive terminal of your battery.

Attach the Black Lead to the Negative terminal of your battery.

Caution should always be exercised whenever working on or around batteries.

Heavy Gloves and Eye Protection should be worn when making connections to the battery.

### MAINTENANCE

The key to years of trouble-free service is to keep your Sprayer clean and dry.

Never allow wet material to remain in Sprayer for extended periods of time.

Occasionally check all moving parts for free movement and, if necessary, lubricate with oil.

Should rust develop, sand lightly and then paint area with enamel.

Periodically check all fasteners for tightness.

### TRACTOR/RIDING MOWER REQUIREMENTS AND SPEED

The Brinly Sprayer requires towing equipment with a 12-volt battery and charging system, and a drawbar hitch in order to properly operate the Brinly Sprayer.

The towing equipment should have operable brakes capable of controlling the loaded Sprayer and tractor.

Most chemicals are applied at a forward speed of 3-4 M.P.H. or the speed of a brisk walk.

To calibrate your tractor to 3 m.p.h.:

Measure a distance of 20 feet on a flat, level surface.

Adjust tractor throttle and select a gear to cover this distance in 4.5 seconds

To adjust for 4 m.p.h., cover the same measured distance in 3.4 seconds.

### OPERATION:

Check spray tip height before spraying. The tips should be 21" from the base of the tip to the ground.

NEVER let the Sprayer operate in one spot. Turn Sprayer off to avoid over application of chemicals.

Turn Sprayer off during turns to avoid double spray.

Fill Sprayer where spills cannot harm grass.

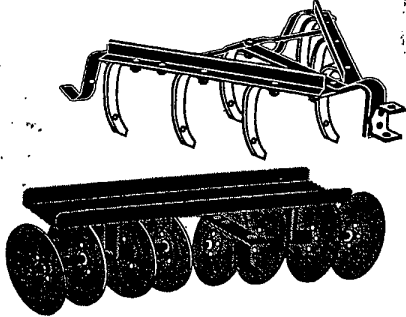
Follow spray material manufacturer's recommended mixing instructions, concentrations, and application rate. Be sure to follow chemical manufacturers disposal and safety requirements.

When Backing up, carefully back STRAIGHT to avoid "jack-knifing", which can cause damage to your equipment.

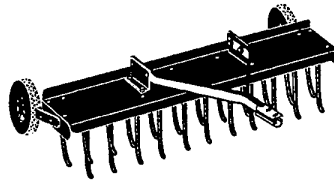
Remember to always add chemicals to water, not water to chemicals. Chemicals have tendency to splash and may be harmful.

Caring for the quality of your lawn  
with the products from  
**Brinly-Hardy Company**

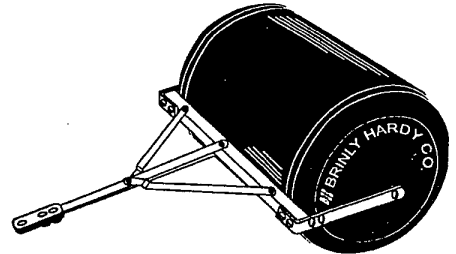
CALL OR EMAIL US FOR A FREE BROCHURE



Brinly's garden tractor items offer the largest selection to turn your garden tractor into a year-round tool. We have box scrapers, blades, cultivators, disk harrows, and even a plow! Remember that a sleeve hitch is required to hook up these items to your garden tractor.



If left alone, matted layers of thatch and large grass clippings can form on your lawn which prevents air circulation and breeds disease. Our patented design Dethatcher with spring steel tines gently comb thatch and clippings to the surface where they can be re-mulched, collected, or left exposed to the elements to break down.



No more rust or dents with these poly lawn rollers. These units are much easier to deal with than the steel versions. They have rounded end caps that won't tear or gouge the lawn when truning. Erase the harmful effects of front heaving and moles, or pack down newly sewn seed or sod.

**Limited Warranty**

Brinly-Hardy Company warrants only to the original retail purchaser that this product will remain free of defects in workmanship and materials under normal use and service for a period of two (2) years (NOTE: ninety (90) days for commercial or rental use) commencing with the date of purchase.

Any parts found to be defective within the warranty period will be replaced, with proof of date of purchase, at Brinly-Hardy Company's expense. Our obligation under this warranty is expressly limited to replacement or repair, at our option of parts, which are defective in material or workmanship within thirty (30) days of receipt of the parts. This warranty does not apply to damage caused by unreasonable use, including failure to provide necessary maintenance, nor does it apply to any transportation or labor charges.

WE MAKE NO OTHER EXPRESS WARRANTY NOR IS ANYONE AUTHORIZED TO MAKE ANY ON OUR BEHALF. ANY IMPLIED OR STATUTORY WARRANTIES, INCLUDING ANY WARRANTY OF MERCHANTABILITY OR FITNESS FOR A PARTICULAR PURPOSE, ARE LIMITED TO THE DURATION OF THIS WRITTEN WARRANTY. WE SHALL NOT BE LIABLE FOR CONSEQUENTIAL OR INCIDENTAL DAMAGES OF ANY KIND.

MADE IN THE U.S.A.  
BRINLY-HARDY COMPANY TOLL-FREE 1-877-728-8224

Register Online at: [www.brinly.com](http://www.brinly.com)

**Quality Insurance**

Dear Customer,  
We are very proud of our quality and endeavor to produce each product to meet high standards. Should your purchase not meet your expectations, we have a Quality Insurance Policy.

If you purchase a product and a part is missing or defective, please inform us of the problem on the "Comments" section of the Warranty Registration Card in this manual or online, or feel free to contact us toll free at 1-877-728-8224. PLEASE DO NOT RETURN THE PRODUCT TO THE STORE.

We will make every effort to ship a new replacement part to you within 24 hours at no charge.

Thank you

Jane Hardy  
President,

Brinly-Hardy Company

**WARRANTY REGISTRATION CARD**

To register your new product for warranty, please complete and return this card.

Name: \_\_\_\_\_

Address: \_\_\_\_\_

City: \_\_\_\_\_ State: \_\_\_\_\_ Zip: \_\_\_\_\_

Phone: \_\_\_\_\_

Product Purchased: \_\_\_\_\_ Model#: \_\_\_\_\_

Packing# (on carton): \_\_\_\_\_

Where purchased: \_\_\_\_\_ Date: \_\_\_\_\_

Type of Tractor Owned: Make: \_\_\_\_\_

Model: \_\_\_\_\_

HP: \_\_\_\_\_

Size of Lawn: \_\_\_ 1/4-1/2acre \_\_\_ 1/2-1acre \_\_\_ 1-5 acre \_\_\_ 5+

Do you garden? \_\_\_ Use a tractor? \_\_\_ Tiller? \_\_\_

Your Occupation? \_\_\_\_\_

Your Email Address? \_\_\_\_\_