

Rock Salt is not recommended for use in this Spreader. Remove agitator when using Ice Melt.

Tread pattern on tires may vary.

Manual Contents

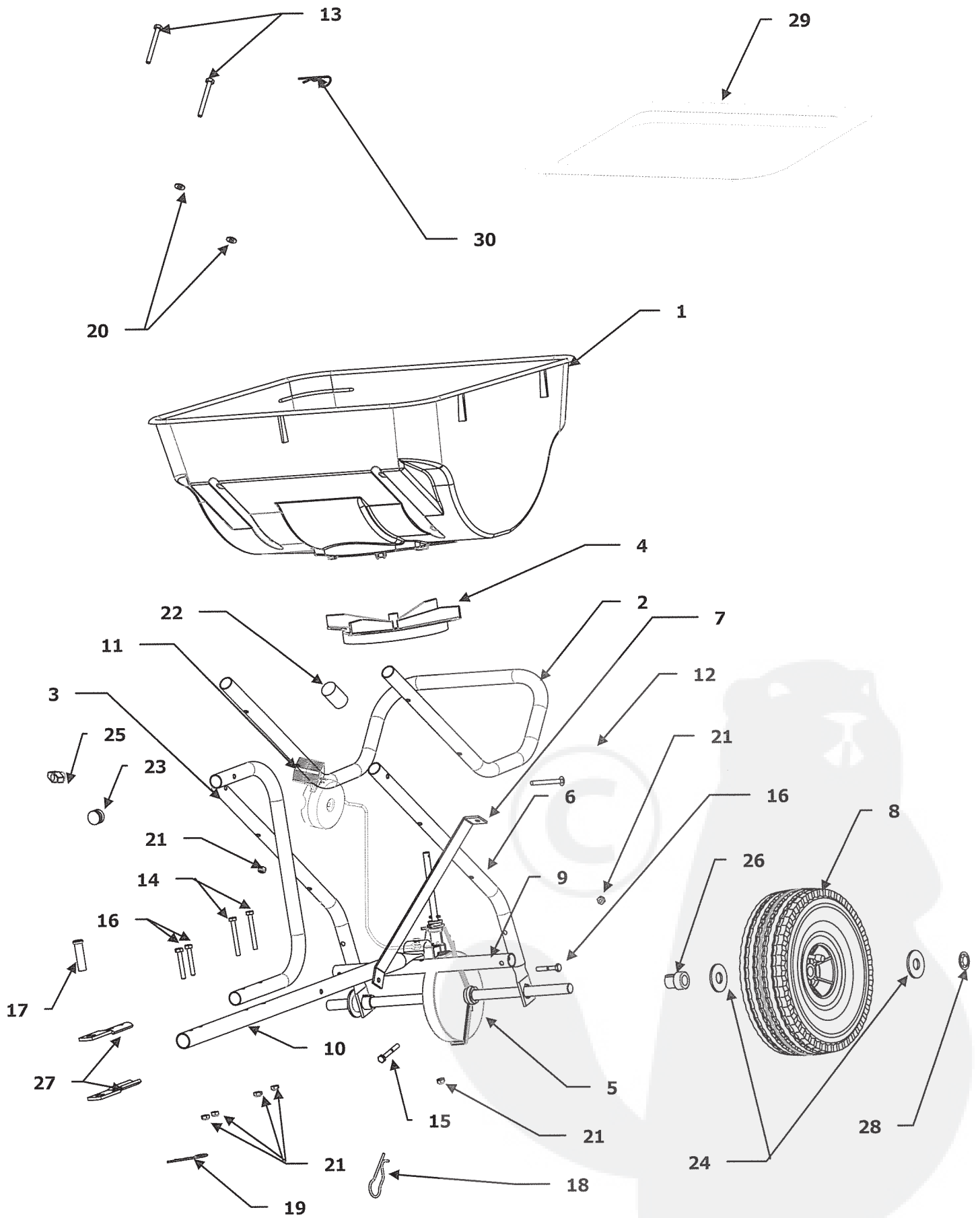
| | |
|---------------------------|-----|
| Safety Instructions | 2 |
| Assembly..... | 4-6 |
| Operation..... | 9 |
| Maintenance..... | 9 |
| Parts..... | 2-3 |
| Warranty..... | 12 |

Your New Trail Behind Broadcast Spreader

Congratulations on your purchase of a new Precision Products Inc. Trail Behind Broadcast Spreader. Your Spreader has been engineered and built to give you the most dependable and best performing product possible.

If you experience any problem you can not easily resolve, please feel free to contact our knowledgeable and helpful customer service department toll-free at **1 (800) 225-5891**.

Caution: Carefully read all rules and instructions for safe operation.



TBS4500PRCGY

| Ref No. | Part No. | Qty. | Description |
|---------|----------|------|-----------------------------|
| 1 | 2877 | 1 | Hopper |
| 2 | 2908B | 1 | Wrap Around Support |
| 3 | 7183TB | 1 | Control Cable Holder |
| 4 | 2614 | 1 | Spinner Disc |
| 5 | 2297 | 1 | Gear Case Assembly |
| 6 | 5906B | 2 | Hopper Support |
| 7 | 2284B | 2 | Support Bracket |
| 8 | 2029 | 2 | Wheel |
| 9 | 2286B | 1 | Cross Brace |
| 10 | 7185TB | 1 | Tow Bar |
| 11 | 2445C | 1 | Control Cable |
| 12 | 1868 | 1 | 1/4" x 2-1/4" Carriage Bolt |
| 13 | 2385 | 4 | 1/4" x 2-1/2" Hex Head Bolt |
| 14 | 2385 | 2 | 1/4" x 2-1/2" Hex Head Bolt |
| 15 | 1086 | 2 | 1/4" x 2" Hex Head Bolt |

| Ref No. | Part No. | Qty. | Description |
|---------|----------|------|-----------------------------|
| 16 | 6129 | 4 | 1/4" x 1-1/2" Hex Head Bolt |
| 17 | 1840 | 1 | Clevis Pin |
| 18 | 2576 | 1 | Cotter Pin 3/16" x 2" |
| 19 | 1042 | 1 | Hitch Pin Clip |
| 20 | 1817 | 4 | 1/4" Flat Washer |
| 21 | 1558 | 12 | 1/4" Nylock Nut |
| 22 | 2582 | 4 | Tube Cap |
| 23 | 3060 | 2 | 7/8" Tube Plug |
| 24 | 1646 | 3 | 5/8" Flat Washer |
| 25 | 2828 | 1 | 1/4" Wing Nut |
| 26 | 6214 | 2 | 5/8" Wheel Bushing |
| 27 | 1062B | 2 | Clevis Plate |
| 28 | 3333 | 1 | 5/8" Retaining Ring |
| 29 | 2906 | 1 | Rain Cover |
| 30 | 2148PU | 1 | Agitator Pin |

Warning: Tires must not be inflated to more than 30PSI. Use hand pump only. Inflating the tire to more than 30 PSI of pressure may cause tire/wheel to explode causing serious bodily harm.

Not all parts shown.

Parts and Support

Not all parts shown.



Please do not return this product to the store prior to contacting Precision.

At Precision Products Inc. our goal is to deliver quality, value and outstanding service. If for any reason our product does not meet your expectations, please contact us and we will take care of any problem you may have with this unit.

When ordering replacement parts please have the model number, part description, part number, inspector number and date on box, available so that we can best serve you.

1 (800) 225-5891

www.precisionprodinc.com

**Precision Products Inc.
316 Limit St.
Lincoln IL 62656**