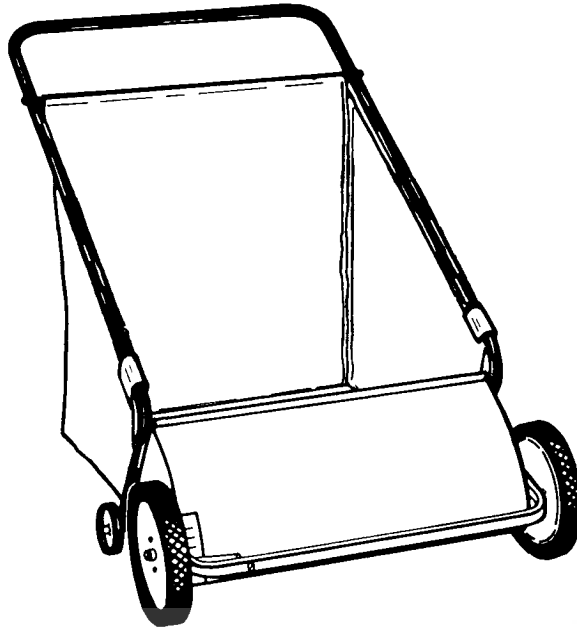


# BRINLY



## OWNER'S MANUAL

GROUNDS - KEEPER  
28" PUSH SWEEPER



SERIES SP-28 BHG

MODEL SP-281 BHG

**"IMPORTANT:** THIS MANUAL CONTAINS INFORMATION FOR THE SAFETY OF PERSONS AND PROPERTY. READ IT CAREFULLY BEFORE ASSEMBLY AND OPERATION OF THE EQUIPMENT!"

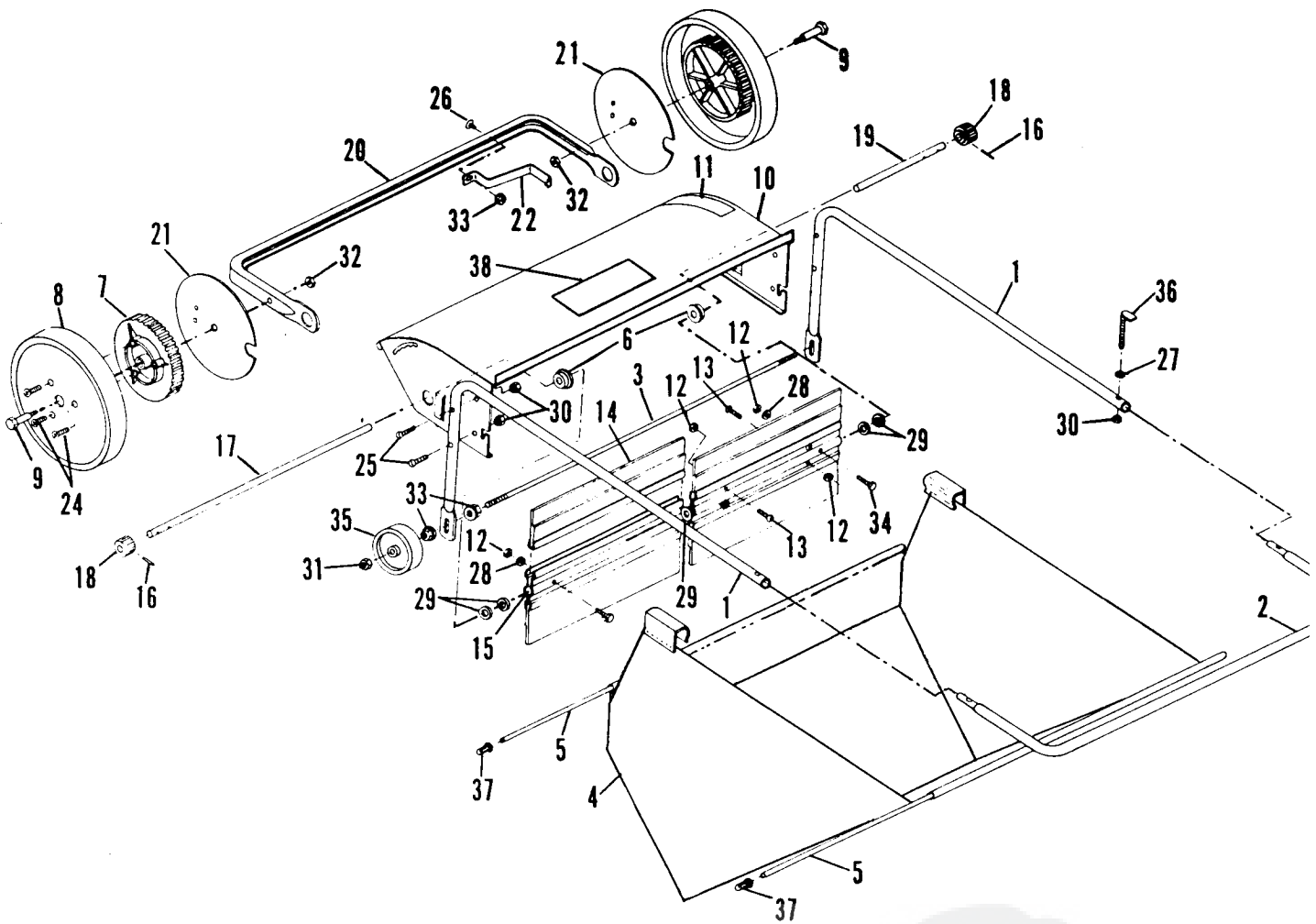
### LIMITED WARRANTY

Brinly-Hardy Company warrants only to the original retail purchaser that this product will remain free of defects in workmanship and materials under normal use and service for a period of two (2) years (NOTE: ninety (90) days for commercial or rental use) commencing with the date of purchase.

Any parts found to be defective within the warranty period will be replaced, with proof of date of purchase at Brinly-Hardy Company's expense. Our obligation under this warranty is expressly limited to replacement or repair, at our option of parts which are defective in material or workmanship within thirty (30) days of receipt of the parts. This warranty does not apply to damage caused by unreasonable use, including failure to provide necessary maintenance, nor does it apply to any transportation or labor charges.

WE MAKE NO OTHER EXPRESS WARRANTY NOR IS ANYONE AUTHORIZED TO MAKE ANY ON OUR BEHALF. ANY IMPLIED OR STATUTORY WARRANTIES, INCLUDING ANY WARRANTY OR MERCHANTABILITY OR FITNESS FOR A PARTICULAR PURPOSE, ARE LIMITED TO THE DURATION OF THIS WRITTEN WARRANTY. WE SHALL NOT BE LIABLE FOR CONSEQUENTIAL OR INCIDENTAL DAMAGES OF ANY KIND.

BRINLY-HARDY COMPANY (502) 585-3351      MADE IN U.S.A.



PARTS LIST  
SP-281 BHG

REF. NO.	PART NO.	DESCRIPTION	QTY.	REF. NO.	PART NO.	DESCRIPTION
1	R-1561-10	Frame Tube	2	21	R-1738-10	Dust Shield
2	R-1562-10	Push Handle	1	22	R-1739-10	Adjustment Spring
3	R-1569	Gage Wheel Rod	1	24	R-1722	Self Tapping Screw (1/4" x 3/4")
4	R-1580	Hamper	1	25	20M0820P	Round Head Screw (1/4" x 1-1/4")
5	R-1587	Hamper Rod	2	26	20M1008P	Round Head Screw (5/16" x 1/2")
6	R-1586	Bearing	2	27	30M0800P	Hex Nut - 1/4"
7	R-1584	Gear	2	28	40M0600P	Lock Washer #10
8	R-1723	Wheel and Tire	2	29	45M1717P	Plain Washer 1/2"
9	R-1595	Shoulder Bolt	2	30	B-1673P	Hex Lock Nut 1/4"
10	R-1719-52	Sweeper Housing Asm	1	31	B-1674P	Hex Lock Nut 5/16"
11	R-1721	Height Adjust Decal	1	32	B-3718	Hex Lock Nut 3/8"
12	30M0600P	#10-24 Hex Nut	10	33	B-4355	Flange Nut 5/16"
13	R-1523	Hex Head Screw (#10 x 1/2")	8	34	R-1502	Hex Head Screw (#10 x 7/8")
14	R-1590	Brush Section	4	35	R-1029	Gage Wheel
15	R-1591	Brush Holder	4	36	R-1743	Hamper Clip
16	R-1014	Drive Pin	2	37	B-4641	Plastic Cap
17	R-1593	Long Axle	1	38	B-4683	Logo Decal
18	R-882-B	Pinion	2			
19	R-1013	Short Axle	1			
20	R-1735-10	Wheel Support	1			