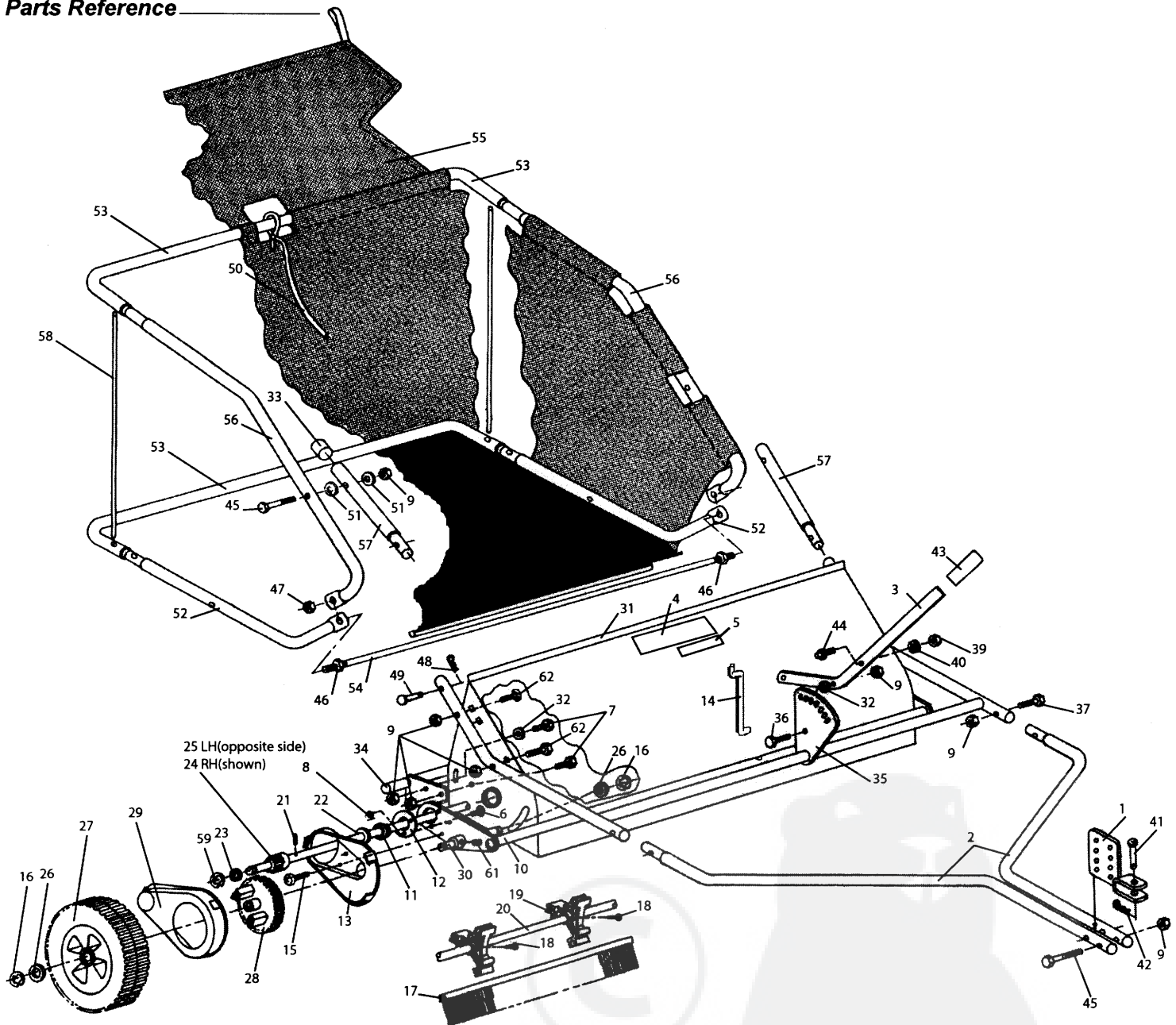


Parts Reference



Parts List

REF. NO.	PART NO.	DESCRIPTION	QTY.
1	R-2251-10	Hitch Clevis Assembly	1
2	R-2254-10	Tow Tube	2
3	R-2270-10	Lift Handle	1
4	B-5924	Logo Decal	1
5	R-1946	Instructions Decal	1
6	11M0808P	Carriage Bolt, 1/4" x 1/2"	6
7	2M1012P	Hex Bolt, 5/16" x 3/4"	4
8	B-1673P	Hex Lock Nut, 1/4"	6
*** 9	B-4786	Nylon Insert Lock Nut, 5/16"	10
10	R-2415-10	Lower Pivot Assembly	1
11	R-2288	Bearing Assembly	2
12	R-2289	Bearing Retainer	2
13	R-2293-1	Inner Dust Shield	2
* 14	R-2416	Lift Link	1
15	R-2321	Self-Taping Screw #12x3/8"	4
16	F-577	"E" Ring, 5/8"	4
17	R-2205	Brush Section	6
18	R-2260	Thread Form Screw, #12	4
19	R-2281	Brush Holder	4
20	R-2259	Brush Axle	1
21	R-2261	Dowel Pin	2
22	R-2262	Washer, 5/8" I.D. x 1-3/8"	2
23	R-2263	Washer, 5/8" I.D. x 7/8"	2
24	R-2279-LH	Drive Pinion, Left Hand	1
25	R-2279-RH	Drive Pinion, Right Hand	1
26	B-4768	5/8" Machinery Bushing	4
27	R-2265-BT	Wheel, 12" x 3" Bar Trd.	2
28	R-2280	Drive Gear, 60 Tooth	2
29	R-2293-2	Outer Gear Cover	2
30	R-2306-01	Wheel Axle	2
31	R-2413-10	Brush Housing Assembly	1
* 32	45M1111P	5/16" Flat Washer	3
** 33	B-4107	Vinyl Cap, 1" dia.	2
34	R-2296-10	Hamper Stop Assembly	1
35	R-2290-10	Upper Frame Assembly	1
* 36	2M1016P	Hex Bolt, 5/16" x 1"	1
* 37	2M1024P	Hex Bolt, 5/16" x 1-1/2"	2
* 39	30M1000P	Hex Nut, 5/16"	1
* 40	40M1000P	Lock Washer, 5/16"	1
* 41	B-3861	Hitch Pin, 1/2" dia.	1
* 42	D-146P	Hairpin Cotter, Large	1
* 43	R-1882	Flat Grip	1
*** 44	R-1945	Lock Pin	1
** 45	2M1040P	Hex Bolt, 5/16" x 2-1/2"	4
** 46	30M1200P	Hex Nut, 3/8"	2
** 47	B-1675P	Lock Nut, 3/8"	2
** 48	B-983	Hairpin Cotter, Small	2
49	R-2303	Clevis Pin, 5/16" x 1-3/8"	2
** 50	R-2304	Hamper Pull Rope	1
51	R-618	Special Washer, 5/16"	4
52	R-1806-10	Lower Tube	2
53	R-2194-10	Rear Tube	2
54	R-2195	Hamper Stop Rod	1
55	R-2426	Hamper/Wind Screen	1
56	R-2300-10	Hamper Side Tube, Upper	2
57	R-2301-10	Hamper Mount Tube	2
58	R-2307	Hamper Spring Rod	2
59	R-2320	External Retaining Ring, 5/8"	2
61	R-2257	Set Screw, 1/4"	2
62	11M1024P	Carriage Bolt, 5/16" x 1-1/2"	4

* Hardware Bag "A"

** - Hardware Bag "B"

*** - Both Hardware Bags

Notes:

