



OWNER'S MANUAL

2006

LAWN SWEEPER

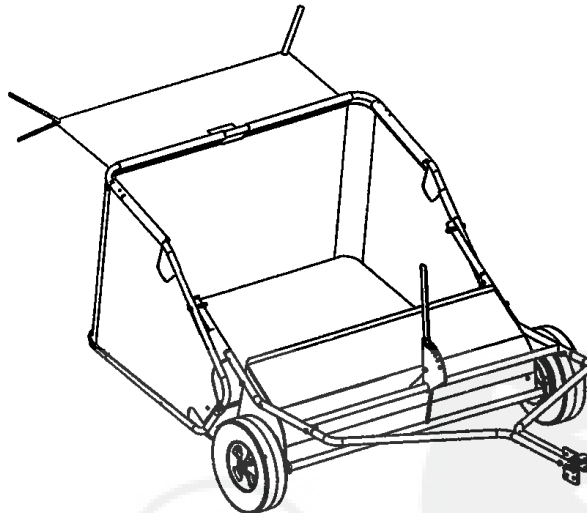
SWEeper MODEL:

STS-42 LXH

PATENT PENDING

- Assembly
- Installation
- Operation
- Repair Parts

For use with Riders
and Lawn/Garden Tractors



For the latest product updates and setup tips:

Visit us on the web!
www.brinly.com

Important: This manual contains information for the safety of persons and property. Read it carefully before assembly and operation of the equipment!

L-1686-05

CONGRATULATIONS on your new Brinly-Hardy Lawn Sweeper. It has been designed, engineered, and manufactured to give you the best possible dependability and performance.

Should you experience any problem you can not easily remedy, please do not hesitate to contact our knowledgeable customer service department toll-free at 1-877-728-8224. We have competent, well trained technicians to help you service your Aerator.

CUSTOMER RESPONSIBILITIES

Please read and retain this manual. Familiarize yourself with the entire manual before beginning and verify that all hardware is present. And please, Observe the "Safety Rules". Follow a regular schedule in maintaining, caring-for and using your Sweeper.

The instructions will enable you to assemble and maintain your Lawn Sweeper properly. Always observe the "SAFETY RULES".

TABLE OF CONTENTS

SAFETY RULES	2
REFERENCE	3
PARTS REFERENCE	4
PARTS LIST	5
ASSEMBLY	6-9
OPERATION	9-10
MAINTENANCE	10
WARRANTY	11



RULES FOR SAFE OPERATION

- Know controls and how to stop quickly, READ THE OWNER'S MANUAL.
- Do not allow children to operate the vehicle, do not allow adults to operate without proper instruction or without having read the owner's manual.
- Do not carry passengers. Keep children and pets a safe distance away.
- Always wear substantial footwear. Do not wear loose fitting clothing that can get caught in moving parts.
- Keep your eyes and mind on your tractor/attachment and area being covered. Do not let other interests distract you.
- Stay alert for holes in the terrain and other hidden hazards.
- Do not drive close to creeks, ditches and public highways.
- Watch out for traffic when crossing or near roadways.
- When using any attachment, don't allow anyone near the vehicle while in operation.
- Keep the vehicle and attachment in good operating condition and keep safety devices in place.

- Keep all nuts, bolts and screws tight to be sure the equipment is in safe working condition.
- The vehicle and attachment should be stopped and inspected for damage after striking a foreign object. The damage should be repaired before restarting and operating the equipment.
- See tractor equipment owner's manual for safe operation of the equipment.



OPERATING HINTS:

Remove any large objects (Branches, Rocks, Wood, etc.) from area that is too big to be picked up by Sweeper.

Mow lawn before Sweeping, especially when leaves are present.

Windrow grass or leaves with side Discharge mowers before sweeping.

For best results, Sweep only when conditions are DRY.

When sweeping heavy amounts of leaves or grass, start with sweeper adjusted in a HIGHER than recommended setting, LOWERING after each pass.

**INSTALLATION
QUESTIONS?
MISSING PARTS?
REPLACEMENT PARTS?**

**DON'T GO BACK
TO THE STORE!**

Please call our Customer Service
Department Toll-Free at
877.728.8224
OR
[www.customerservice
@brinly.com](http://www.customerservice@brinly.com)



This symbol will help to point out important safety precautions throughout this manual. It means - ATTENTION! BECOME ALERT! Your safety is involved.

Figure 8.

NOTE: Hamper Spring Rod(58) is hard to install and will be bent once in place.

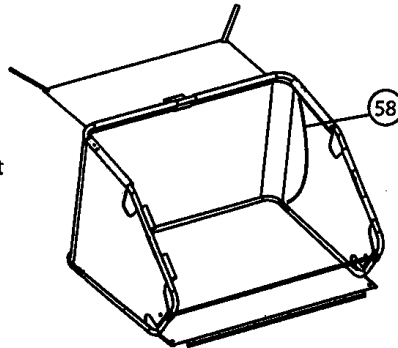


Figure 9.

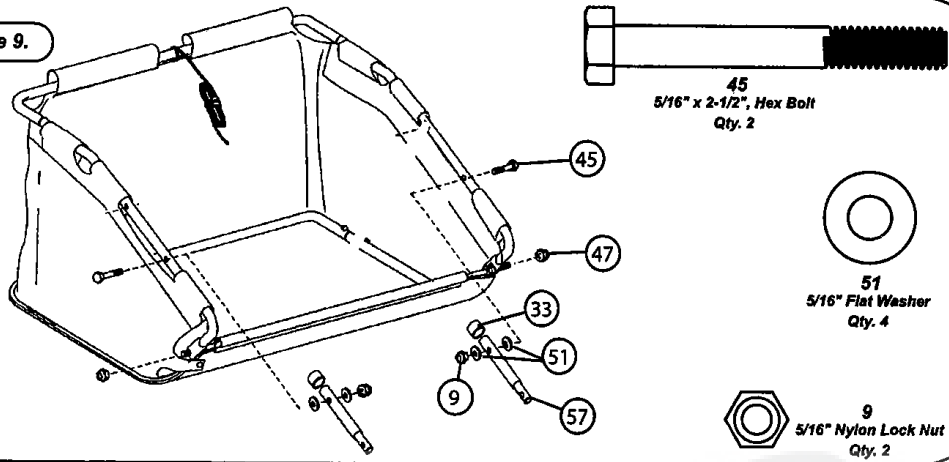
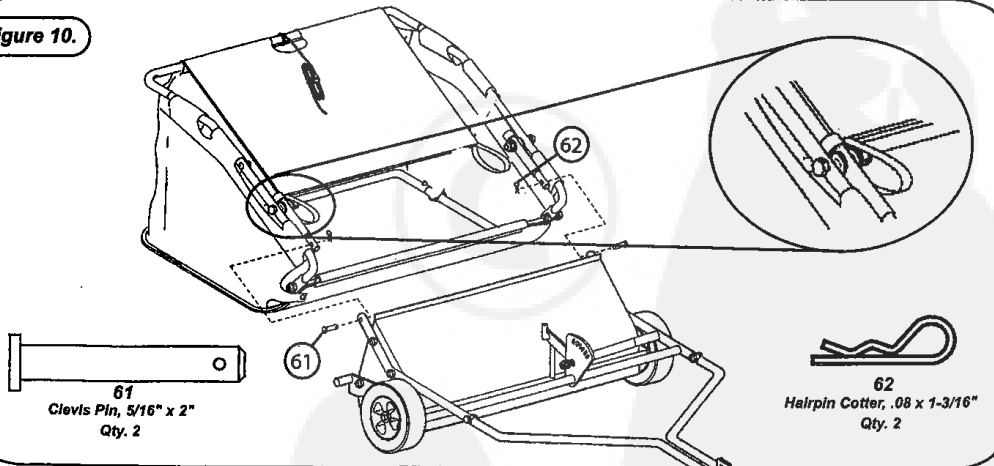
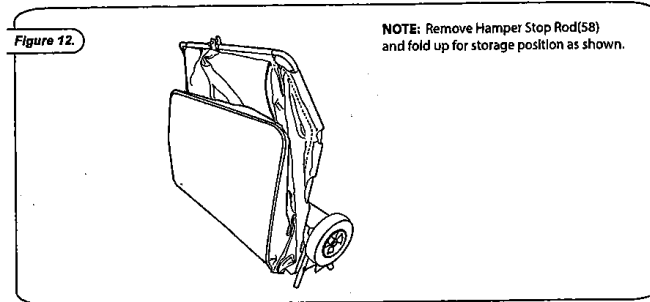
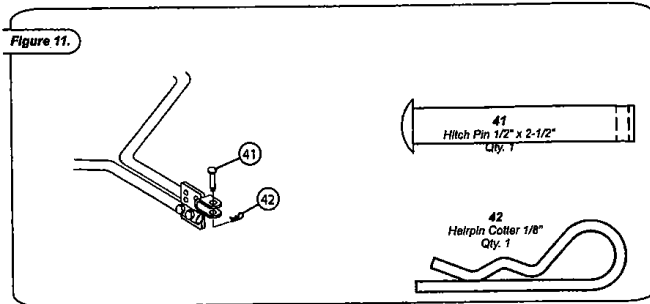


Figure 10.





! MAINTENANCE

- The key to years of trouble-free service is to keep your Sweeper clean and dry.
- Never allow wet material to remain in Hamper for extended periods of time.
- Annually check all moving parts for free movement and, if necessary, lubricate with oil. Refer to last page.
- Should rust develop, sand lightly and then paint area with enamel.
- Periodically check all fasteners for tightness.

! IMPORTANT:

- Avoid over filling Hamper, especially when picking up freshly mowed grass
- Extremely heavy loads will be difficult to dump. Fill to capacity that is comfortable for you to dump.
- When Backing up, carefully back STRAIGHT to avoid "jack-knifing", which can cause damage to your equipment.
- To remove Hamper, pull the two Clevis Pins(49) from Hamper Mount Tubes(57) and slide out.

! TRACTOR/RIDING MOWER SPEED

The faster the Tractor/Riding Mower speed the further the material is thrown into Hamper. Operate at a speed that will throw material to back of Hamper. Under normal conditions, 3-4 M.P.H. or the speed of a brisk walk.

! OPERATION:

To calibrate your tractor to 3 m.p.h.:
 Measure a distance of 20 feet on a flat, level surface. Adjust tractor throttle and select a gear to cover this distance in 4.5 seconds. To adjust for 4 m.p.h., cover the same measured distance in 3.4 seconds.

BRUSH HEIGHT ADJUSTMENT

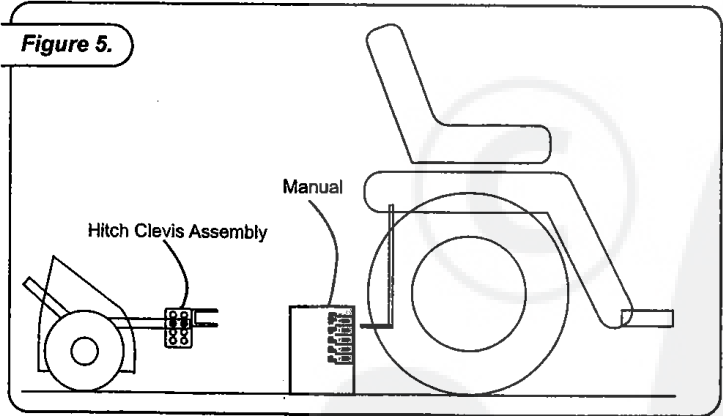
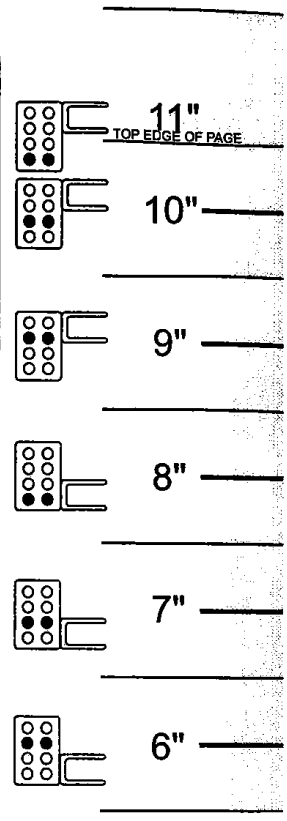
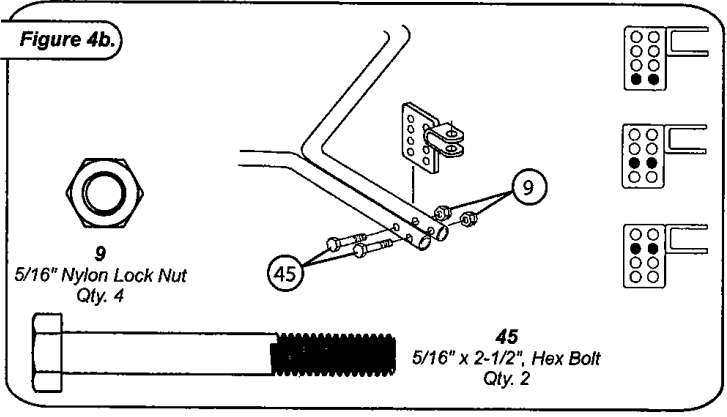
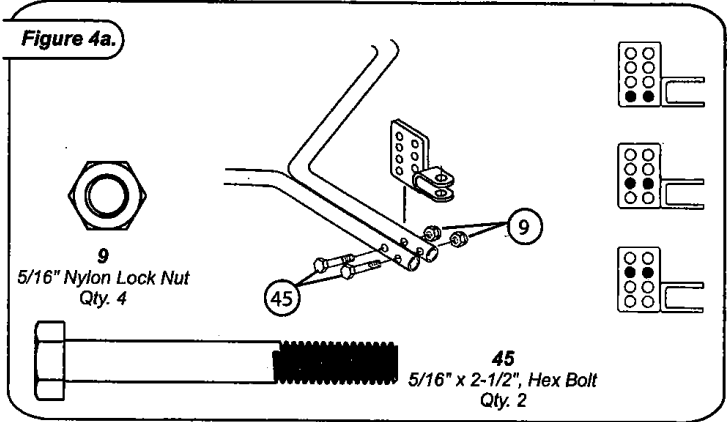
Adjust Brush Tip Height by pulling OUT on Lift Handle(3) and moving Lift Handle FORWARD to RAISE Brush height or BACK to LOWER Brush height. Release Lift Handle and position Lock Pin into nearest hole.
LOW SETTINGS: on Ground to 1" above (for smooth surfaces such as Driveways, Parking Lots, and Sidewalks).
MEDIUM SETTINGS: 1" to 2" above Ground (for Mowed Lawns under normal conditions or Light Leaves).
HIGH SETTINGS: 2" to 3" above Ground (for High Grass, Heavy Leaves or Heavy Grass Clippings).

! IMPORTANT: having Brushes too low for sweeping conditions causes Excessive Wheel Slippage. For maximum performance, operate Sweeper Brushes adjusted as high as possible for Sweeping conditions.

HAMPER LEVELING

Observe the Ground Clearance at Rear of Hamper, WITH THE SWEEPER BRUSH ADJUSTED FOR YOUR SWEEPING CONDITION.

Hamper Adjustment is made by loosening (slightly) the four Bolts securing the Hamper Stop Assembly(34) located at rear of Brush Housing Assembly(31). Move Cross Tube UP to RAISE Hamper or move Cross Tube DOWN to LOWER Hamper.



↓ ↓ **BOTTOM EDGE TO GROUND** ↓ ↓

Figure 6.

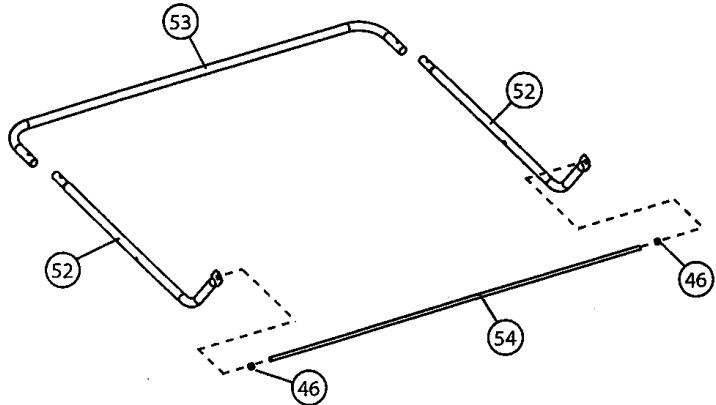
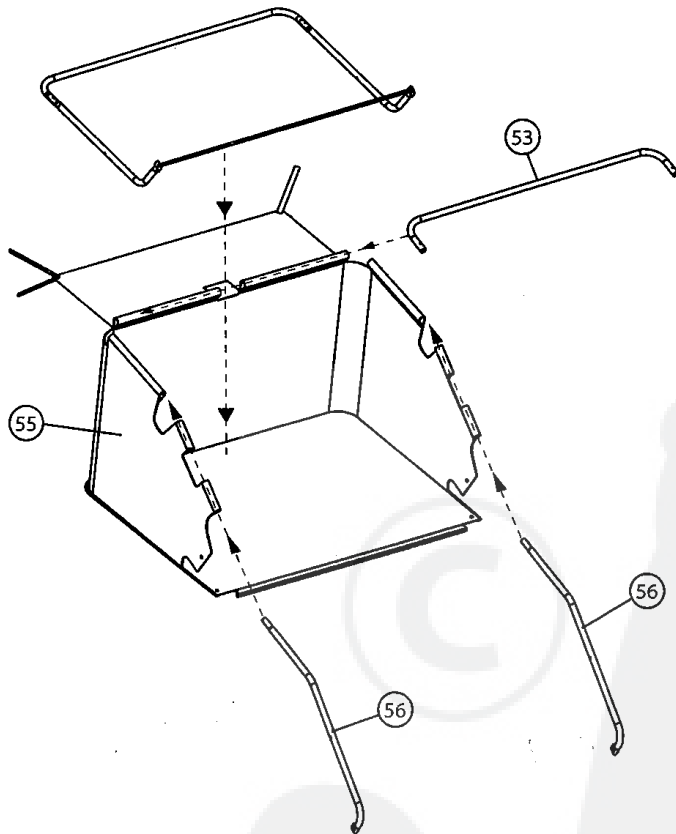


Figure 7.



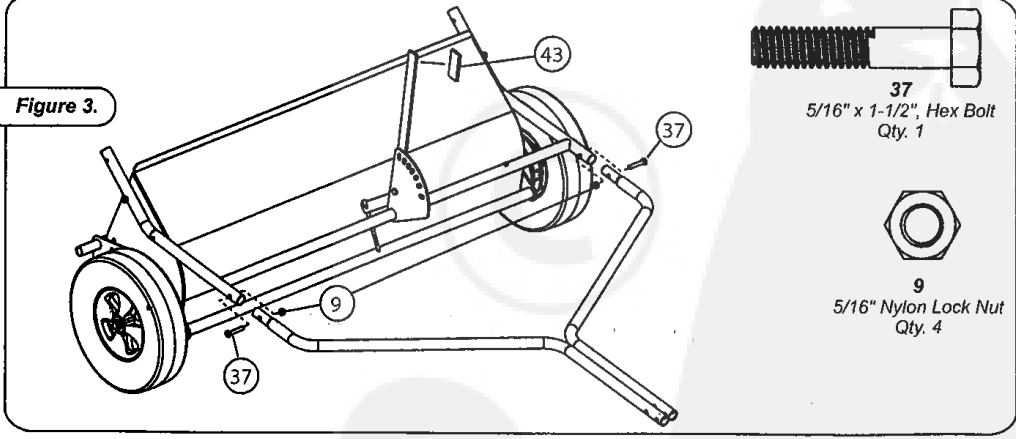
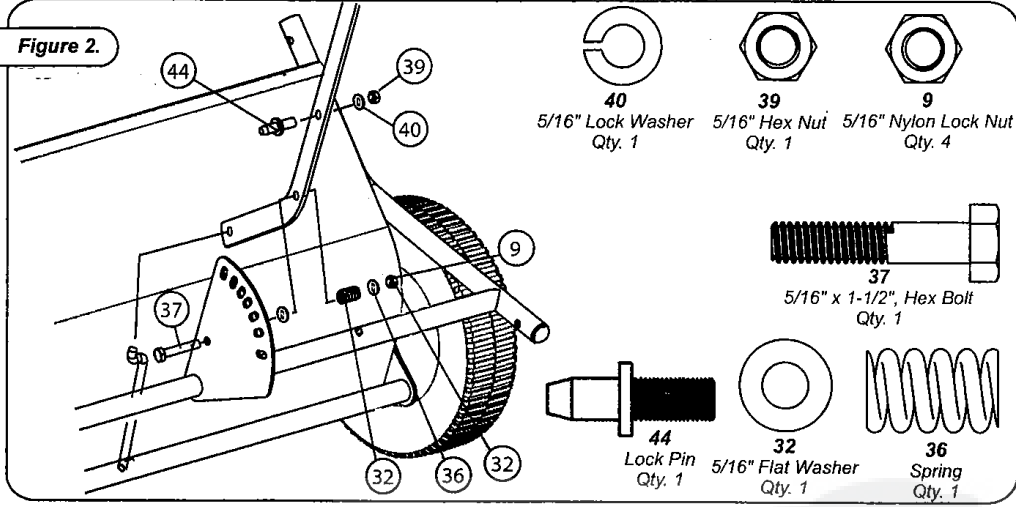
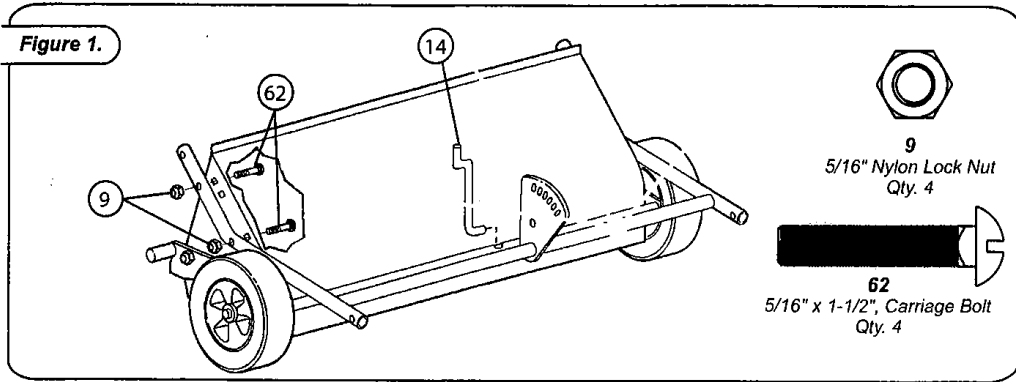
Parts List

REF. NO.	PART NO.	DESCRIPTION	QTY.
1	R-2251-10	Hitch Clevis Assembly	1
2	R-2254-10	Tow Tube	2
3	R-2270-10	Lift Handle	1
4	B-5924	Logo Decal	1
5	R-1946	Instructions Decal	1
6	11M0808P	Carriage Bolt, 1/2" x 1/2"	6
7	2M1012P	Hex Bolt, 5/16" x 3/4"	4
8	B-1673P	Hex Lock Nut, 1/2"	6
*** 9	B-4786	Nylon Insert Lock Nut, 5/16"	9
10	R-2415-10	Lower Pivot Assembly	1
11	R-2288	Bearing Assembly	2
12	R-2289	Bearing Retainer	2
13	R-2293-1	Inner Dust Shield	2
* 14	R-2416	Lift Link	1
15	R-2321	Self-Taping Screw #12x3/8"	4
16	F-577	"E" Ring, 5/8"	6
17	R-2205	Brush Section	6
18	50M0624P	Cotter Pin, 3/16" x 1-1/2"	4
19	R-2281	Brush Holder	4
20	R-2259	Brush Axle	1
21	R-2261	Dowel Pin	2
22	R-2262	Washer, 5/8" I.D. x 1-3/8"	2
23	R-2263	Washer, 5/8" I.D. x 7/8"	2
24	R-2279-LH	Drive Pinion, Left Hand	1
25	R-2279-RH	Drive Pinion, Right Hand	1
26	B-4768	5/8" Machinery Bushing	4
27	R-2265-BT	Wheel, 12" x 3" Bar Trd.	2
28	R-2280	Drive Gear, 60 Tooth	2
29	R-2293-2	Outer Gear Cover	2
30	R-2306-01	Wheel Axle	2
31	R-2413-10	Brush Housing Assembly	1
* 32	45M1111P	5/16" Flat Washer	3
** 33	B-4107	Vinyl Cap, 1" dia.	2
34	R-2296-10	Hamper Stop Assembly	1
35	R-2290-10	Upper Frame Assembly	1
* 36	B-3805	Spring	1
* 37	2M1024P	Hex Bolt, 5/16" x 1-1/2"	3
* 39	30M1000P	Hex Nut, 5/16"	1
* 40	40M1000P	Lock Washer, 5/16"	1
* 41	B-3861	Hitch Pin, 1/2" dia.	1
* 42	D-146P	Hairpin Cotter, Large	1
* 43	R-1882	Flat Grip	1
*** 44	B-3307-S	Lock Pin	1
** 45	2M1040P	Hex Bolt, 5/16" x 2-1/2"	4
** 46	30M1200P	Hex Nut, 3/8"	2
** 47	B-1675P	Lock Nut, 3/8"	2
** 48	B-983	Hairpin Cotter, Small	2
49	R-2303	Clevis Pin, 5/16" x 1-3/8"	2
** 50	R-2304	Hamper Pull Rope	1
51	R-618	Special Washer, 5/16"	4
52	R-1806-10	Lower Tube	2
53	R-2194-10	Rear Tube	2
54	R-2195	Hamper Stop Rod	1
55	R-2426	Hamper/Wind Screen	1
56	R-2300-10	Hamper Side Tube, Upper	2
57	R-2301-10	Hamper Mount Tube	2
58	R-2307	Hamper Spring Rod	2
59	R-2320	External Retaining Ring, 5/8"	2
61	R-2257	Set Screw, 1/4"	2
* 62	11M1024P	Carriage Bolt, 5/16" x 1-1/2"	4

* - Hardware Bag "A"
 ** - Hardware Bag "B"
 *** - Both Hardware Bags

Notes:





HARDWARE REFERENCE

Tools Required for Assembly:
1/2" wrench (2)
9/16" wrench (2)
Pliers

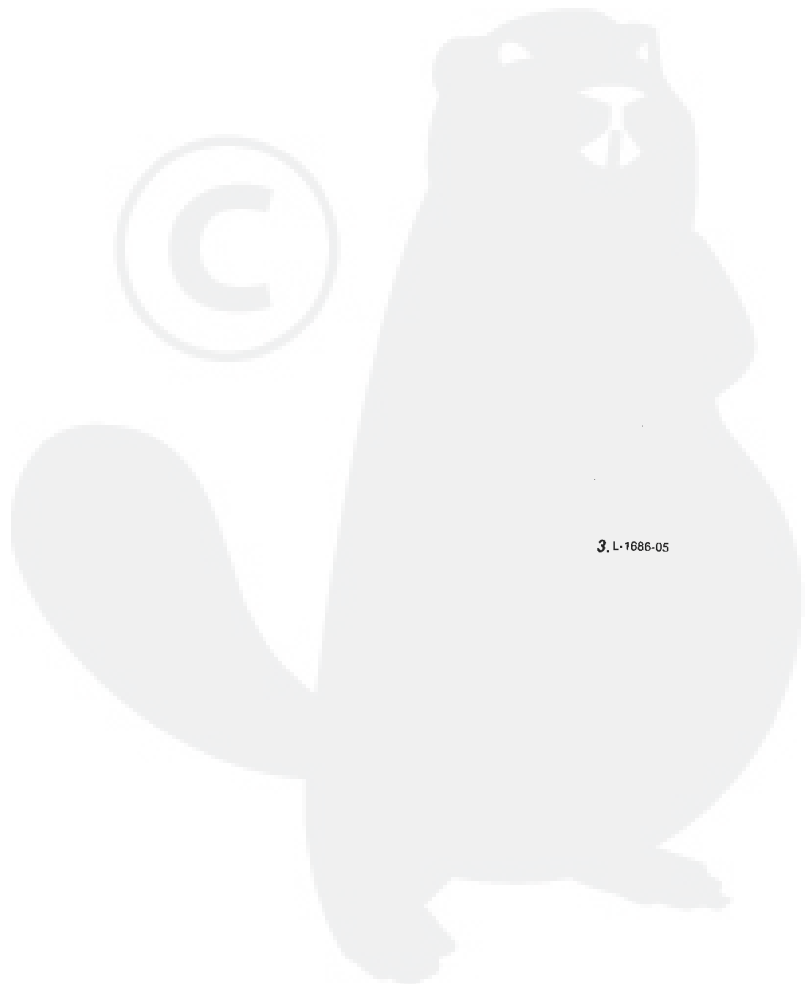
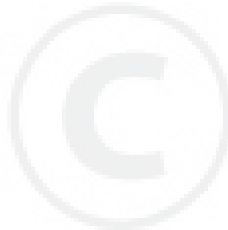
Limited Warranty

Brinly-Hardy Company warrants only to the original retail purchaser that this product will remain free of defects in workmanship and materials under normal use and service for a period of two (2) years (NOTE: ninety (90) days for commercial or rental use) commencing with the date of purchase.

Any parts found to be defective within the warranty period will be replaced, with proof of date of purchase, at Brinly-Hardy Company's expense. Our obligation under this warranty is expressly limited to replacement or repair, at our option of parts, which are defective in material or workmanship within thirty (30) days of receipt of the parts. This warranty does not apply to damage caused by unreasonable use, including failure to provide necessary maintenance, nor does it apply to any transportation or labor charges.

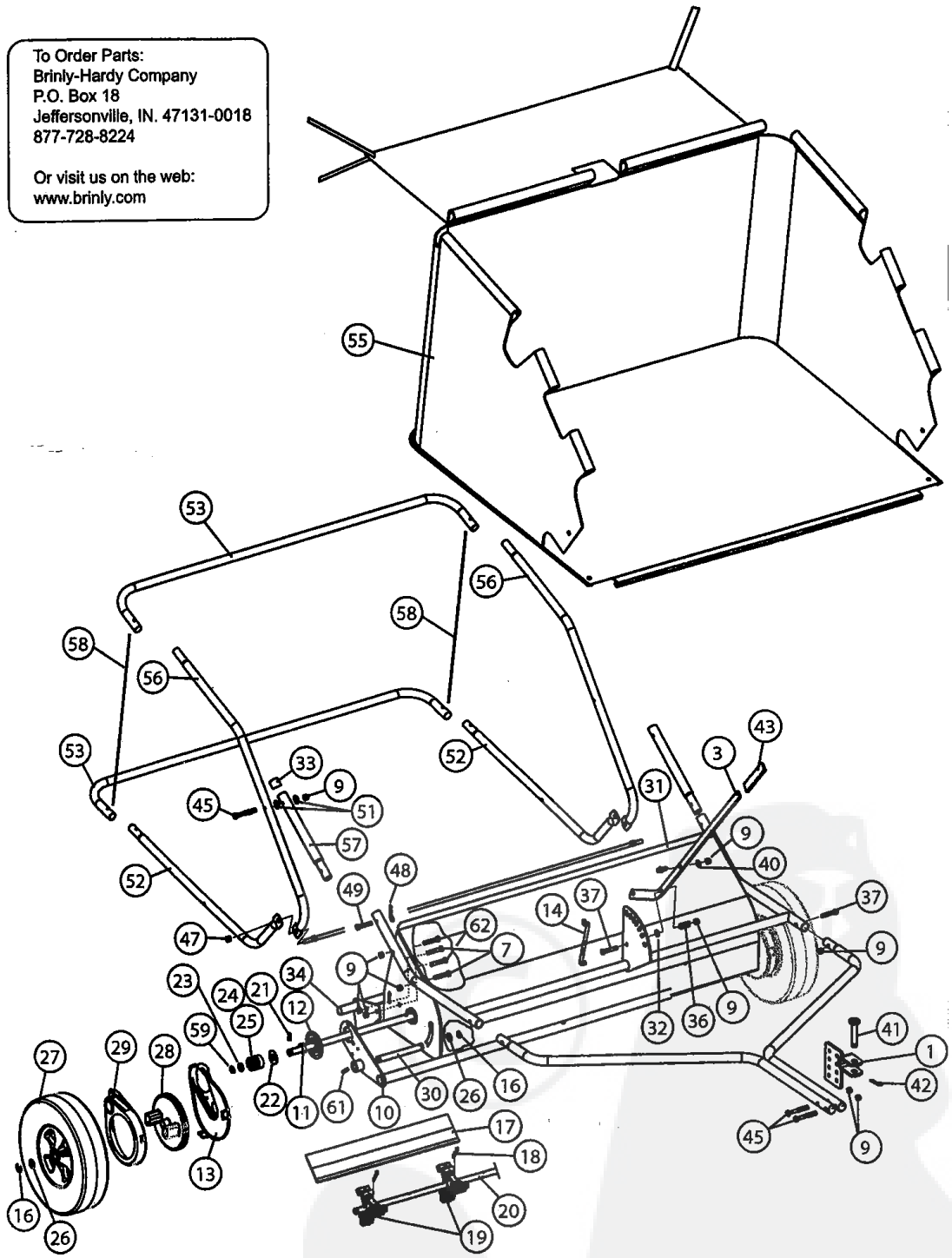
WE MAKE NO OTHER EXPRESS WARRANTY NOR IS ANYONE AUTHORIZED TO MAKE ANY ON OUR BEHALF. ANY IMPLIED OR STATUTORY WARRANTIES, INCLUDING ANY WARRANTY OF MERCHANTABILITY OR FITNESS FOR A PARTICULAR PURPOSE, ARE LIMITED TO THE DURATION OF THIS WRITTEN WARRANTY. WE SHALL NOT BE LIABLE FOR CONSEQUENTIAL OR INCIDENTAL DAMAGES OF ANY KIND.

MADE IN THE U.S.A.
BRINLY-HARDY COMPANY TOLL-FREE 1-877-728-8224



To Order Parts:
Brinly-Hardy Company
P.O. Box 18
Jeffersonville, IN. 47131-0018
877-728-8224

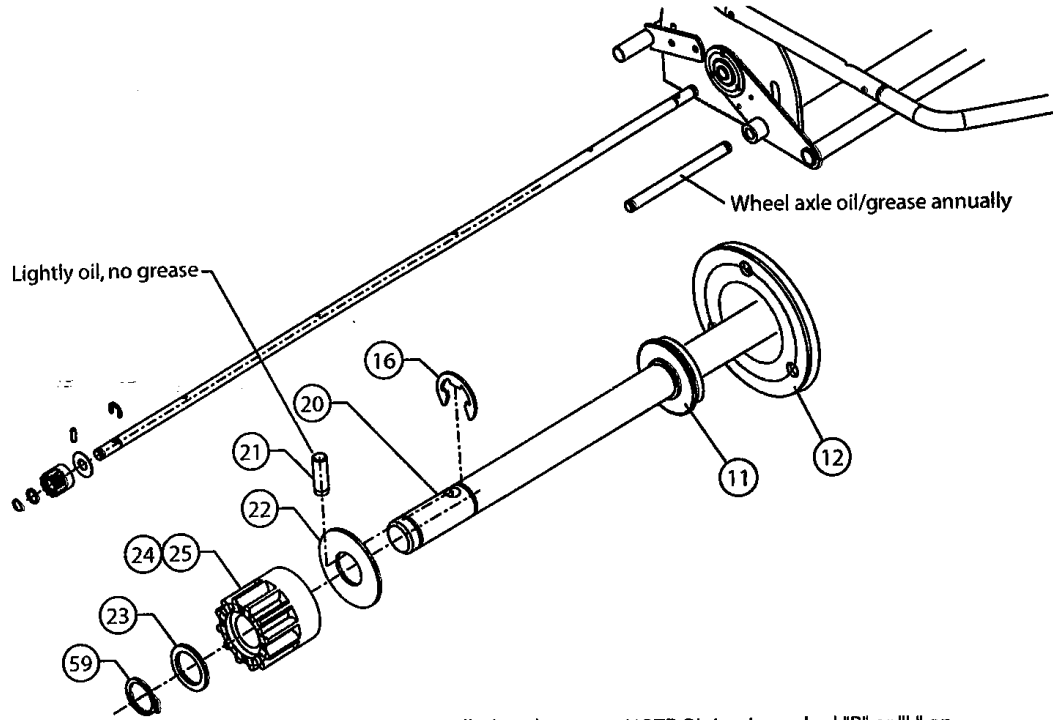
Or visit us on the web:
www.brinly.com



Notes:



Drive Pinion Reference



Right hand pinion installation shown

NOTE: Pinion is marked "R" or "L" on backside. "R" indicates RH and must be installed on the right hand side of the unit shown below.

