

SW26PRE - 26" Lawn Sweeper



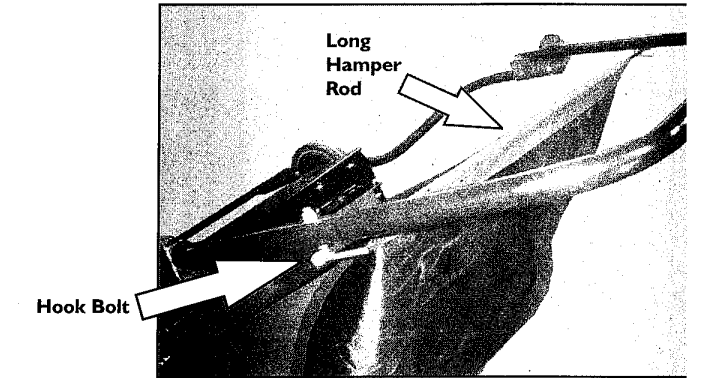
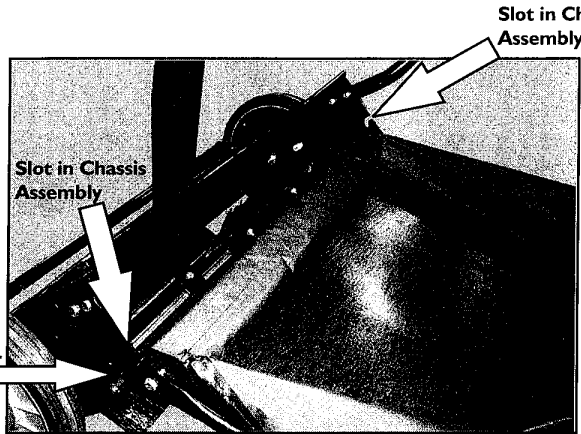
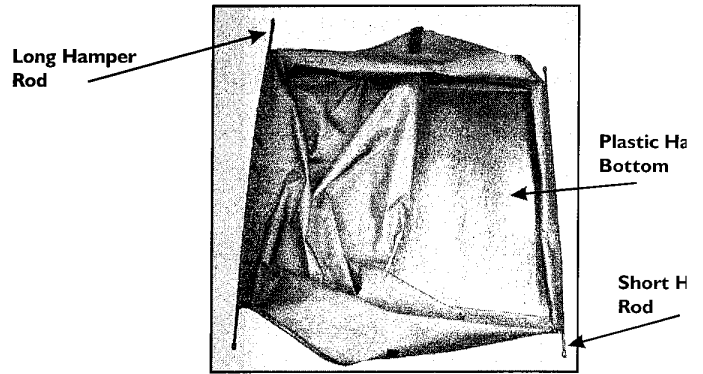
Owner's Manual and Parts List
Precision Products, Inc.

STEP 4

Insert Short Hamper Rod through the loop in the fabric closest to the plastic bottom. Insert the Long Hamper Rod through the other end of the Hamper fabric.

Attach the bottom of the Hamper to the Chassis Assembly by placing each side of the Short Hamper Rod in the slots on the Chassis Assembly. Next, place both ends of the Long Hamper Rod into the Hook Bolts located under both sides of the handle assembly.

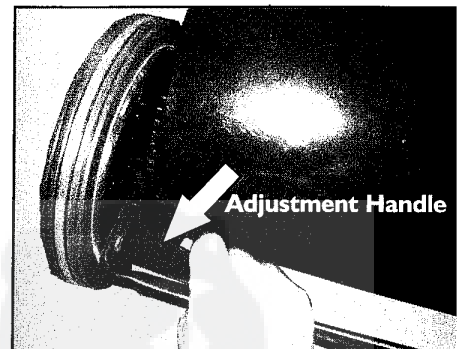
Clip the plastic hangers on each side of the Hamper to both Bottom Handles.



HOW TO USE YOUR SW26PRE SWEEPER

Brush Height Adjustment:

Simply pull in on the Adjustment Handle and move up or down to move brushes up and down to desired height. The most effective way to sweep debris up is to have the brush tips barely touching the tops of grass blades or pavement. If the unit seems to push "too hard", move the adjustment bar one notch higher.

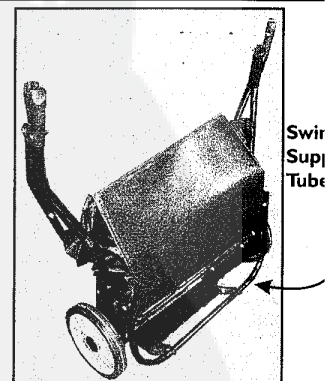
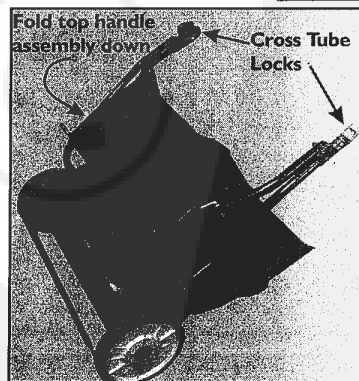


Dumping Hamper:

The Hamper is easily dumped by removing the Long Hamper Rod from both Hook Bolts on the Handles and removing the Short Hamper Rod from both sides of the Chassis Assembly. Pull the Hamper assembly out from the unit and dump where desired. Return the Hamper assembly to the sweeper unit to continue sweeping.

Compact Storage:

The unique feature on the SW26PRE is the ability for the Handle Assembly to be folded over creating even more space for storage. To accomplish this all you have to do is un-lock both Cross Tube Locks and fold the top of the handle assembly down to the Chassis Assembly. Next fold the Support Tube (with the caster wheels) down towards the wheels and brush assembly.



DO NOT LUBRICATE THIS UNIT!

The sweeper bearings are pre-lubricated and sealed prior to assembly. No other lubrication is needed for this unit.

DO NOT GREASE OR OIL THE GEARS IN THE WHEELS.

If you put grease or oil on these the brush **WILL NOT WORK.**

If you do add a lubrication, simply wipe the wheels and pinions clean of all grease or oil.

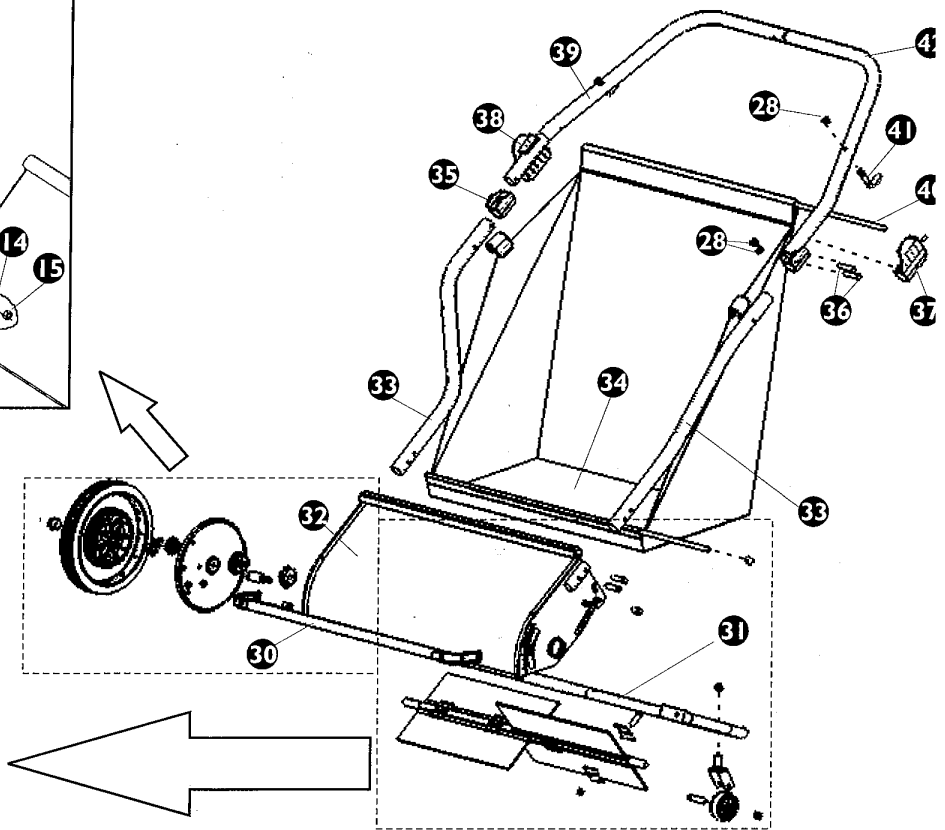
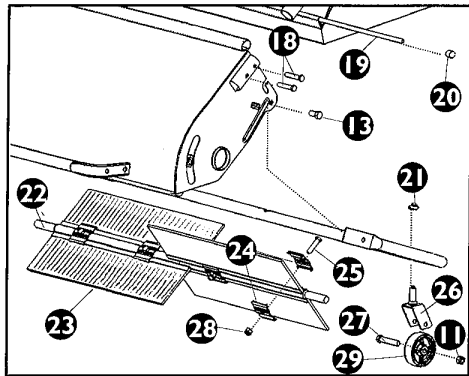
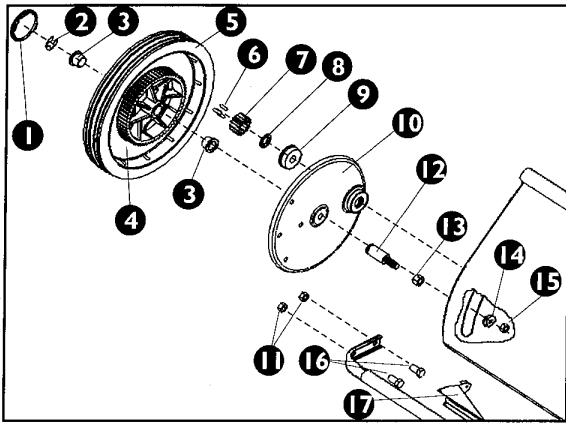
Pinion and Pawl Installation



Right Side



Left Side



Ref. #	Part #	Part Description	Qty.	Ref. #	Part #	Part Description	Qty.
1	1769	Plastic Hub Cap	2	23	2048	Brush Strip	4
2	1768	5/8" E-Type Snap Ring	2	24	2049	Brush Clamp	8
3	2035	Wheel Bushing	4	25	1660	1/4" x 1-1/4" Hex Head Bolt	4
4	2036	Rim	2	26	2050	Caster Bracket	2
5	2037	Tire	2	27	2051	5/16" x 1-3/4" Hex Head Bolt	2
6	2038	Pinion Pawl	6	28	1778	1/4" Lock Nut	14
7	2039	Pinion Gear	2	29	2052	Caster Wheel	2
8	2040	Axle Retaining Ring	2	30	2053	Bumper Assembly	1
9	1770	Flange Bearing	2	31	2054	Support Tube	1
10	1763	Wheel Shield	2	32	2055	Chassis Assembly	1
11	1771	5/16" Lock Nut	8	33	2056	Bottom Handle Tube	2
12	2041	Stub Axle	2	34	2057	Hamper	1
13	2042	3/8" Spacer Nut	2	35	1780	Plastic Hamper Hinge	2
14	1773	3/8" Pilot Nut	2	36	1065	1/4" x 1-3/4" Hex Head Bolt	4
15	1771	3/8" Lock Nut	2	37	1779	**Right Hand Cross Tube Lock	1
16	1248	5/16" x 3/4" Hex Head Bolt	6	38	1777	**Left Hand Cross Tube Lock	1
17	2043	Adjustment Handle	1	39	2058	Right Hand Top Handle	1
18	6129	1/4" x 1-1/2" Hex Head Bolt	4	40	2059	Long Hamper Rod	1
19	2044	Short Hamper Rod	1	41	2060	1/4" L-Bolt	2
20	2045	Rubber Cap	4	42	2061	Left Hand Top Handle	1
21	2046	5/16" Push Cap Nut	2				
22	2047	Brush Axle	1				

**Cross Tube Locks are described correctly due to them being common parts with other sweeper units. These are the only two items that seem to be described opposite of what they should be.

Customer Service & Warranty Information

PLEASE DO NOT RETURN THIS MERCHANDISE TO THE STORE. CALL US AND WE WILL TAKE CARE OF ANY PROBLEM YOU MIGHT HAVE WITH THIS PRODUCT. Phone (800) 225 - 5891 EXT. #204

When ordering parts always give model number, part description & part number.

Send To: Precision Products, Inc.
 Parts Division **Phone (217) 735-1590**
 316 Limit Street **Fax (217) 735-2435**
 Lincoln, IL 62656

On the World Wide Web At: www.precisionprodinc.com

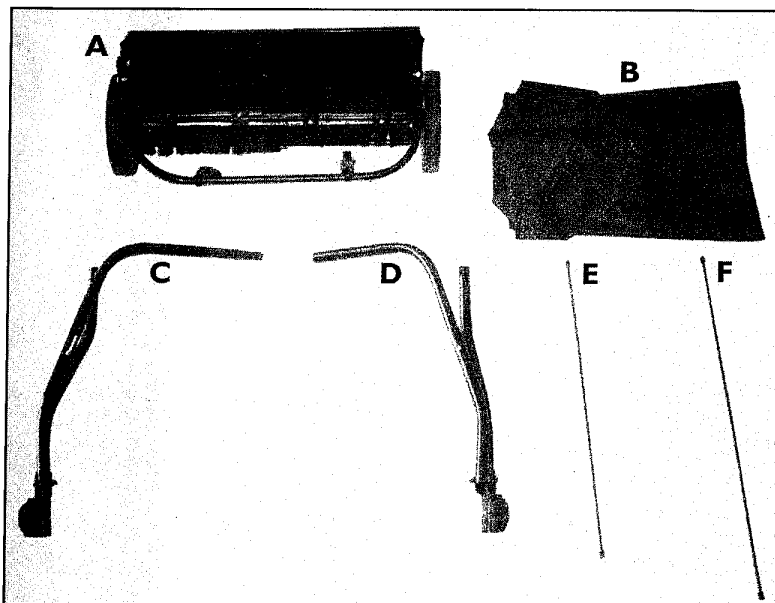
LIMITED WARRANTY

This unit is warranted against defects in materials and workmanship to the original purchaser, under normal use and service, for a period of ninety (90) days from date of sale. During the Warranty Period, we will repair or replace at our option free of charge to the original purchaser, any part of the Unit that our examination shows to be defective in workmanship or materials. This Warranty **Does Not** apply to damage caused by misuse, abuse, neglect, accident, normal wear, or alterations by unauthorized persons.

SW26PRE Assembly

Assembly Components

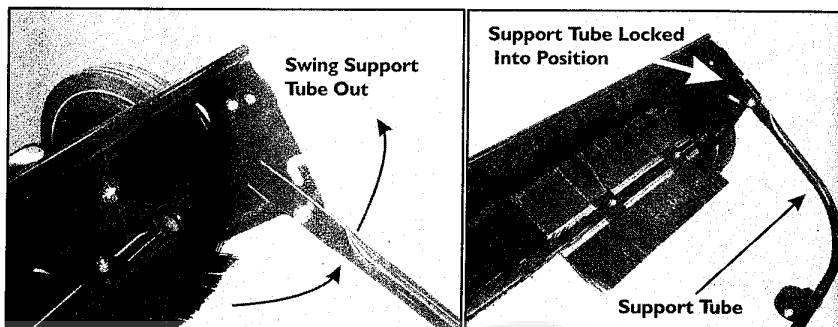
- A. Chassis Assembly
- B. Hamper
- C. Left Hand Handle Assembly
- D. Right Hand Handle Assembly
- E. Short Hamper Rod
- F. Long Hamper Rod



NOTE: All references to "Right Hand" and "Left Hand" are from position behind the sweeper.

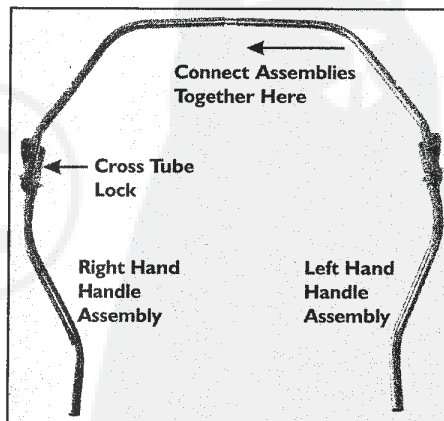
Step 1

Swing the Support Tube out until it locks into place on the stops on the inside of the Chassis Assembly.



STEP 2

Un-fold both Right Hand and Left Hand Handle Assemblies and lock them using the Cross Tube Locks. Next, insert the top of the Left Hand Handle Assembly into the top of the Right Hand Handle Assembly. The two assemblies lock into place with a spring button on the Left Hand Handle Assembly and a hole on the Right Hand Handle Assembly.



STEP 3

Attach both Handle Assembly ends to the inside of the Chassis Assembly using four (2 per side) 1/4" x 1-1/2" Hex Head Bolts and four 1/4" Hex Nuts.

