

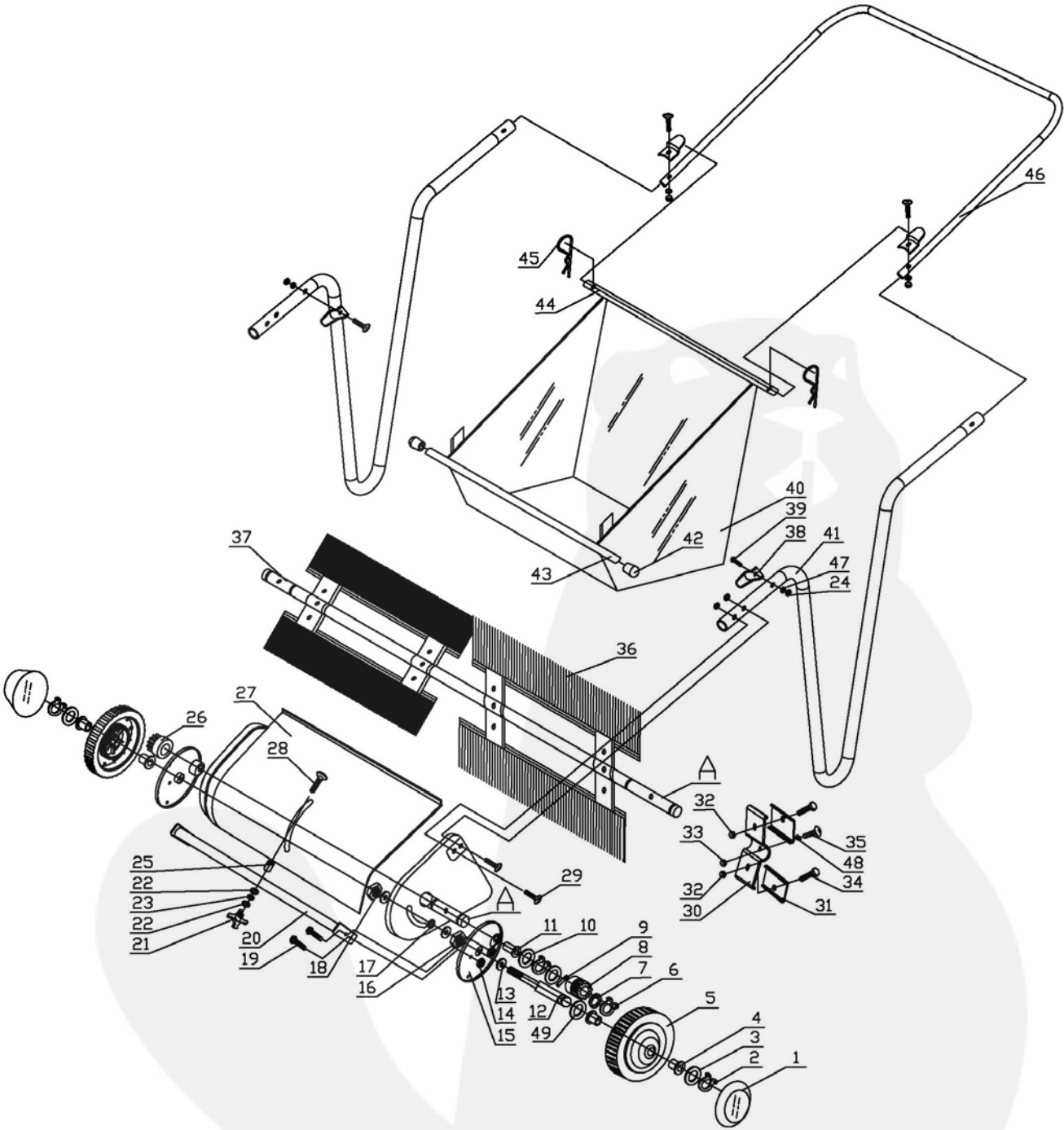
26" WALK-BEHIND SWEEPER



Instruction & Assembly

SAVE THESE INSTRUCTIONS FOR FUTURE REFERENCE

Parts Drawing & Parts List



Parts Drawing & Parts List

Part n°	Référence	Description	Qty	Part n°	Référence	Description	Qty
1	BISW26-1	Palstic cover for wheel	2	26	BISW26-26	Pinion gear RH	1
2	BISW26-2	Back ring	2	27	BISW26-27	Wrapper	1
3	BISW26-3	Flat washer	2	28	BISW26-28	Carriage bolt M8x55	1
4	BISW26-4	Bushing	4	29	BISW26-29	Hex bolt	4
5	BISW26-5	Wheel	2	30	BISW26-30	Brush clamp	4
6	BISW26-6	Back ring	4	31	BISW26-31	Brush retainer	8
7	BISW26-7	Washer for adjustment B	2	32	BISW26-32	Nylon lock nut M6	12
8	BISW26-8	Pinion gear left	1	33	BISW26-33	Nylon lock nut M5	4
9	BISW26-9	Pin of gear	2	34	BISW26-34	Hex bolt M6x20	8
10	BISW26-10	Washer for adjustment A	4	35	BISW26-35	Hex bolt M5x25	4
11	BISW26-11	Bearing for brush	2	36	BISW26-36	Brush assy.	4
12	BISW26-12	Wheel axle	2	37	BISW26-37	Brush axle	1
13	BISW26-13	Big washer	6	38	BISW26-38	Z-style plate	4
14	BISW26-14	Nylon lock nut M8	4	39	BISW26-39	Carriage bolt M8x30	4
15	BISW26-15	Dust cover assy.	2	40	BISW26-40	Hopper bag	1
16	BISW26-16	Hex nut M10	2	41	BISW26-41	Support leg	2
17	BISW26-17	Endplate bushing	2	42	BISW26-42	Plastic end cover	2
18	BISW26-18	Nylon lock nut M10	2	43	BISW26-43	Bag frame strap	1
19	BISW26-19	Hex bolt M8x12	4	44	BISW26-44	Rear hopper frame tube	1
20	BISW26-20	Connect tube	1	45	BISW26-45	Pin	2
21	BISW26-21	Knob	1	46	BISW26-46	Handle frame	1
22	BISW26-22	Big washer	2	47	BISW26-47	Lock washer	4
23	BISW26-23	Lock washer	1	48	BISW26-48	Star washer	4
24	BISW26-24	Hex nut M6	4	49	BISW26-49	Washer for adjustment	2
25	BISW26-25	Cushion washer	1		BISW26-Bag	Hardware bag	