

16 MEI 1988

OWNER'S MANUAL

REAR BAGGER - 38" FOR
SIDE DISCHARGE MOWER
MODEL NUMBER GC220BR



LAWN AND GARDEN
OUTDOOR POWER EQUIPMENT

ROPER

OUTDOOR POWER EQUIPMENT

DIVISION OF ROPER CORPORATION

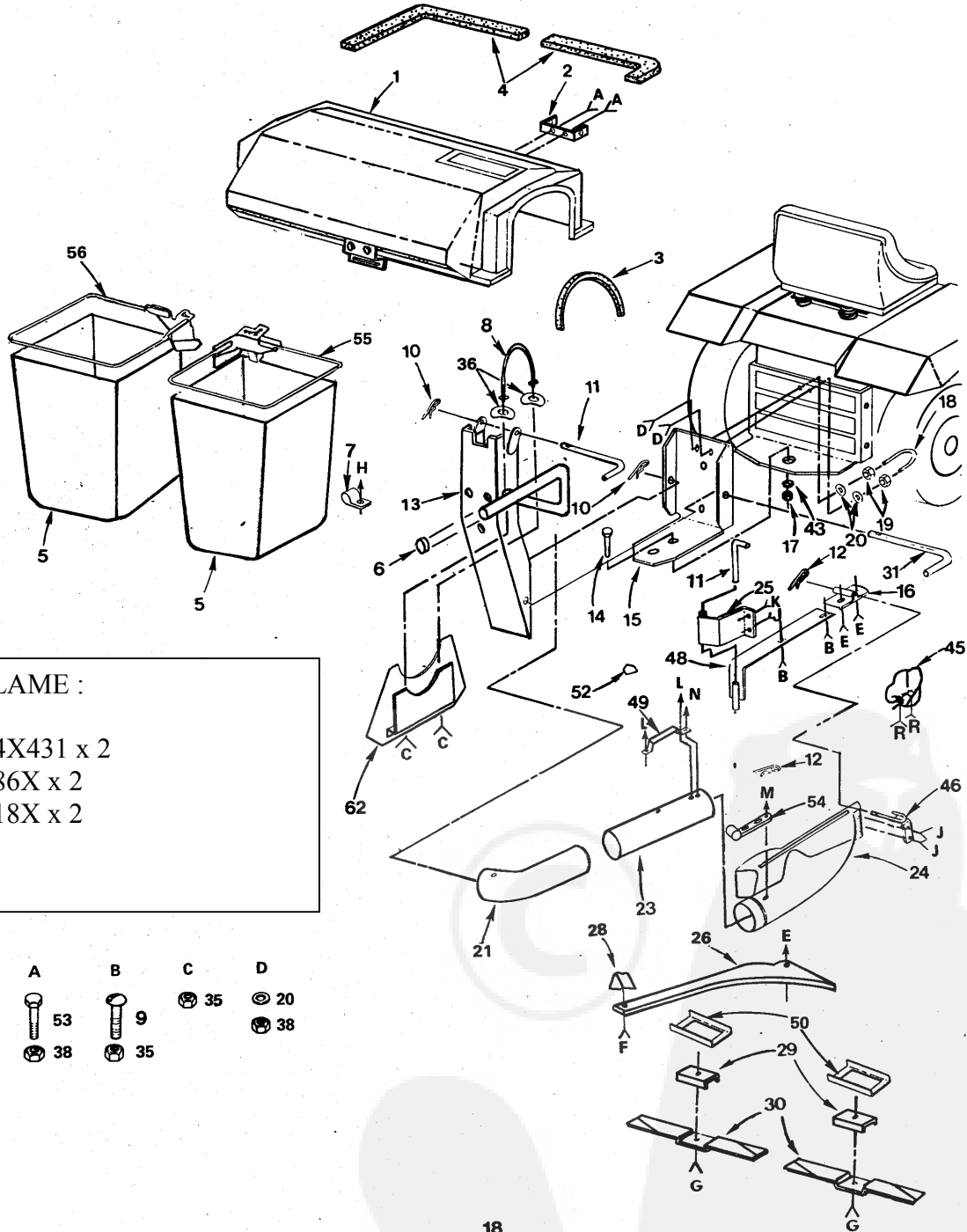
12052 MIDDLEGROUND ROAD
SAVANNAH, GEORGIA 31419

120521X-12.12.8
Printed in U.S.A.

KRUIS !!

REPAIR PARTS

GRASS CATCHER FOR SIDE DISCHARGE MOWER--MODEL NUMBER GC220BR



KIT LAME :
86964X431 x 2
104386X x 2
104418X x 2

A	B	C	D
53	9	35	20
38	35		38

REPAIR PARTS

GRASS CATCHER FOR SIDE DISCHARGE MOWER--MODEL NUMBER GC220BR

KEY NO.	PART NO.	DESCRIPTION	KEY NO.	PART NO.	DESCRIPTION
1	110504X	Cover - Grass Catcher	36	57734	Washer, Formed
2	86578	Bracket - Hinge	37	41945	Screw - Truss Head 10-24 x 1/2
3	110441X	Strip - Foam	38	67823	* Nut - Lock 1/4 - 20
4	106815X	Strip - Foam	39	63079	* Bolt - Carriage 5/16 - 18 x 1
5	120176X	Container - 30 Gal.	40	76507	Washer 11/32
6	104389X	Plug - End	41	60902	* Bolt - Hex, 1/4 - 20 x 1 - 1/4
7	83553	Clip - Elbow	42	85891	Bolt - Hex, 3/8 - 24 x 1 - 3/4 Gr. 5
8	86558	Retainer - Elbow	43	74316	Washer .406 x 1 x .127/.112
9	66238	Bolt - Carriage 5/16 - 18 x 5/8	44	82441	* Washer - Lock, 3/8
10	85902	Spring - Retainer	45	120101X	Baffle - Chute
11	120097X	Pin - Latch	46	85925	Pin Assembly - Latch, Chute
12	85903	Spring - Retainer	47	51630	* Bolt - Hex 5/16 - 18 x 3/4 Gr. 5
13	110254X363	Post - Support	48	120103X363	Latch Assembly
14	62361	Bolt - Shoulder	49	121109X	Handle Assembly (Incl. Key # 61)
15	86562	Bracket - Mounting	50	86987-86964X	Saddle - Upper Blade
16	120098X004	Bracket Latch, Front	51	05080	* Washer - Lock #10
17	51961	* Nut - Lock 3/8 - 16	52	85463	Decal - Danger
18	86626	U-Bolt 1/4 - 20	53	71615	Bolt - Hex 1/4 - 20 x 3/4
19	50675	* Nut - Hex 1/4 - 20	54	109808X	Latch
20	85723	Washer - Flat 9/32	55	120108X363	Assembly - Frame, R.H.
21	110257X	Elbow	56	120109X363	Assembly - Frame, L.H.
23	104415X	Tube - Chute	58	2029J	Nut - Weld
24	120100X	Extension - Chute	59	12049	Washer, Flat
25	120102X004	Latch Bracket - Chute, Rear	61	120203X	Stud - Latch
26	85937	Baffle - R.H.	62	110255X363	Shield - Elbow
28	85936	Clamp	64	60867	Nut - Acorn #10 - 24
29	85893	Saddle - Lower Blade	65	120105X	Screw - Plastite 1/4 - 10 x 3/4
30	104418X	Blade - Lower	---	104419X	Bag - Trash, 30 Gal., 1.5 Mil.
31	86543	Pin - Support Bracket	---	120521X	Manual - Owners
33	74291010	Screw - Truss Head 10-24 x 5/8			
35	67818	* Nut - Lock 5/16 - 18			

*STANDARD HARDWARE--PURCHASE LOCALLY

