

36 INCH CUT MOWER MULCHER KIT

Number MK360A

INSTALLATION INSTRUCTIONS

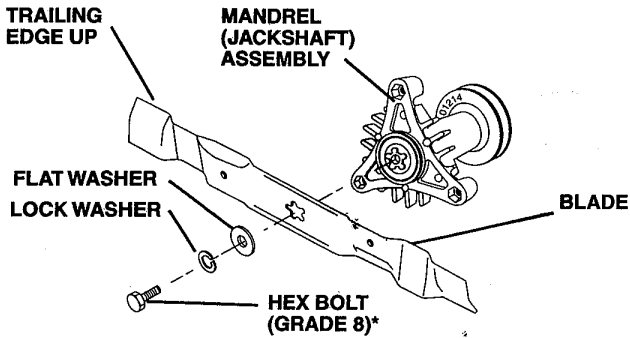
Kit Contains:

- | | |
|---------------------------|------------------------|
| (1) Mulcher Plate | (2) Locknuts 5/16-18 |
| (2) Mulcher Blade | (2) Acorn Nuts 5/16-18 |
| (2) Latch Hooks | (2) Lock Washers |
| (2) Screws | (2) Flat Washers |
| (2) Bolts 5/16-18 x 1-1/4 | (2) Weld Nuts |

REPLACE MOWER BLADES (See Fig. 1)

- Raise mower to highest position to allow access to blades.
- Remove hex bolt, lock washer and flat washer securing blades.
- Install mulcher blades with trailing edge up towards deck as shown.
- Reassemble hex bolt, lock washer and flat washer, previously removed, in exact order as shown.
- Tighten bolt securely (30-35 Ft. Lbs. torque).

IMPORTANT: BLADE BOLT IS GRADE 8 HEAT TREATED.



*A GRADE 8 HEAT TREATED BOLT CAN BE IDENTIFIED BY SIX LINES ON THE BOLT HEAD.

FIG. 1

PREPARE MOWER DECK (See Fig. 2)

- Using holes provided in mower deck, install 5/16-18x1-1/4 hex bolts, 5/16-18 locknuts, and 5/16-18 acorn nuts.
- Install hex bolt from under mower deck and tighten locknut securely. Assemble and tighten acorn nut on hex bolt.

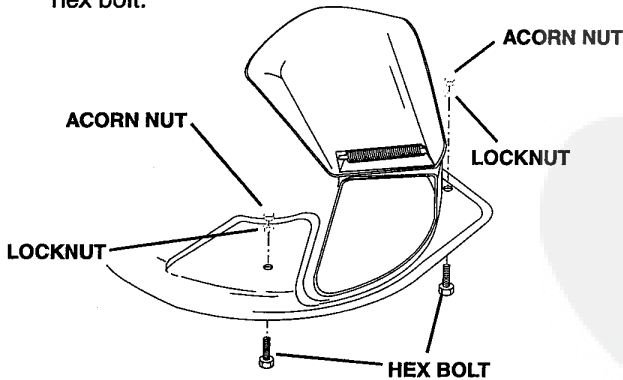


FIG. 2

INSTALL MULCHER PLATE (See Figs. 3 & 4)

- Install two latch hooks to mulcher plate using screw, washer, lock washer, and weld nut as shown.

NOTE: Pre-assemble weld nut to latch hook by inserting weld nut from the top with hook pointing down.

- Tighten hardware securely.
- Raise and hold deflector shield in upright position.
- Place front of mulcher plate over front of mower deck opening and slide into place, as shown.
- Hook front latch hook onto hex bolt on front of mower deck.
- Hook rear latch hook onto hex bolt on back of mower deck.

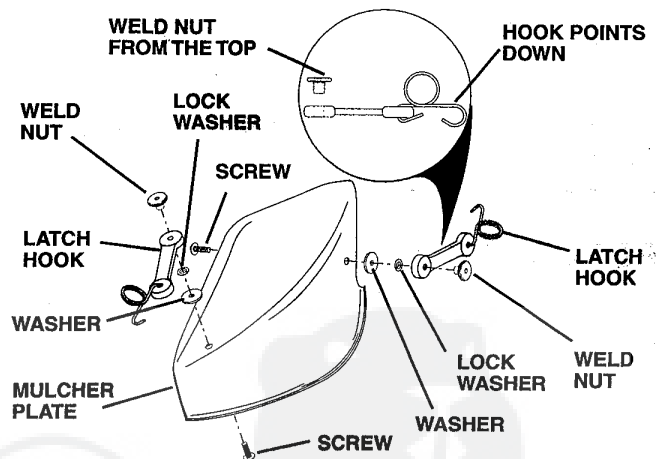
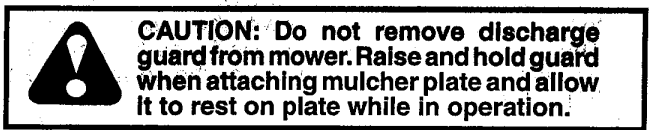


FIG. 3

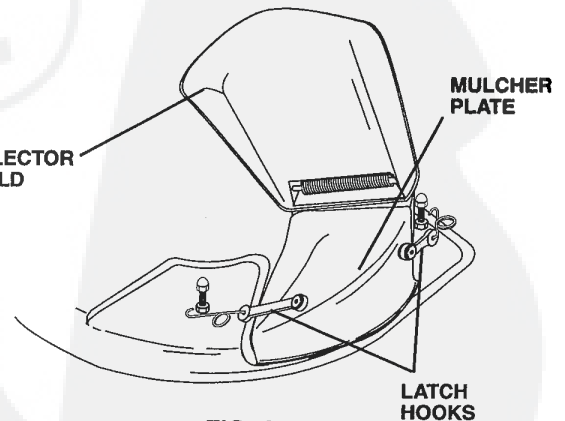


FIG. 4

TO CONVERT TO BAGGING OR DISCHARGING

Simply remove mulcher plate and store in a safe place. Your mower is now ready for discharging or installation of optional grass catcher accessory.

NOTE: It is not necessary to change blades. The mulcher blades are designed for discharging and bagging also.

MULCHING MOWING TIPS

IMPORTANT: FOR BEST PERFORMANCE, KEEP MOWER HOUSING FREE OF BUILT-UP GRASS AND TRASH. CLEAN AFTER EACH USE.

- The special mulching blade will recut the grass clippings many times and reduce them in size so that as they fall onto the lawn they will disperse into the grass and not be noticed. Also, the mulched grass will biodegrade quickly to provide nutrients for the lawn. Always mulch with your highest engine (blade) speed as this will provide the best recutting action of the blades.
- Avoid cutting your lawn when it is wet. Wet grass tends to form clumps and interferes with the mulching action. The best time to mow your lawn is the early afternoon. At this time the grass has dried and the newly cut area will not be exposed to the direct sun.
- For best results, adjust the mower cutting height so that the mower cuts off only the top one-third of the grass blades (See Fig. 5). For extremely heavy mulching, reduce your width of cut and mow slowly.
- Certain types of grass and grass conditions may require

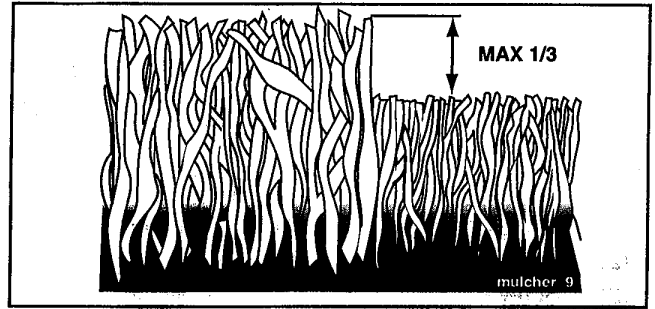


FIG. 5

- that an area be mulched a second time to completely hide the clippings. When doing a second cut, mow across or perpendicular to the first cut path.
- Change your cutting pattern from week to week. Mow north to south one week then change to east to west the next week. This will help prevent matting and graining of the lawn.

FOR FUTURE REFERENCE AND REPAIR PARTS ORDERING, KEEP THIS INSTRUCTION SHEET WITH YOUR TRACTORS OWNER'S MANUAL

REPAIR PARTS

MODEL NO. MK360A, PRODUCT NO. 954 04 04-91

KEY NO.	PART NO.	DESCRIPTION
1	532140101	Blade, Mulching
2	532140102	Mulcher Plate
3	532160793	Latch Hook
4	532125004	Nut, Weld
5	819061216	Washer #10
6	810071000	Washer, Lock#10
7	871081010	Screw
8	874760520	Bolt, Hex 5/16-18 x 1-1/4
9	873680500	Locknut 5/16-18
10	532133841	Acorn Nut 5/16-18

