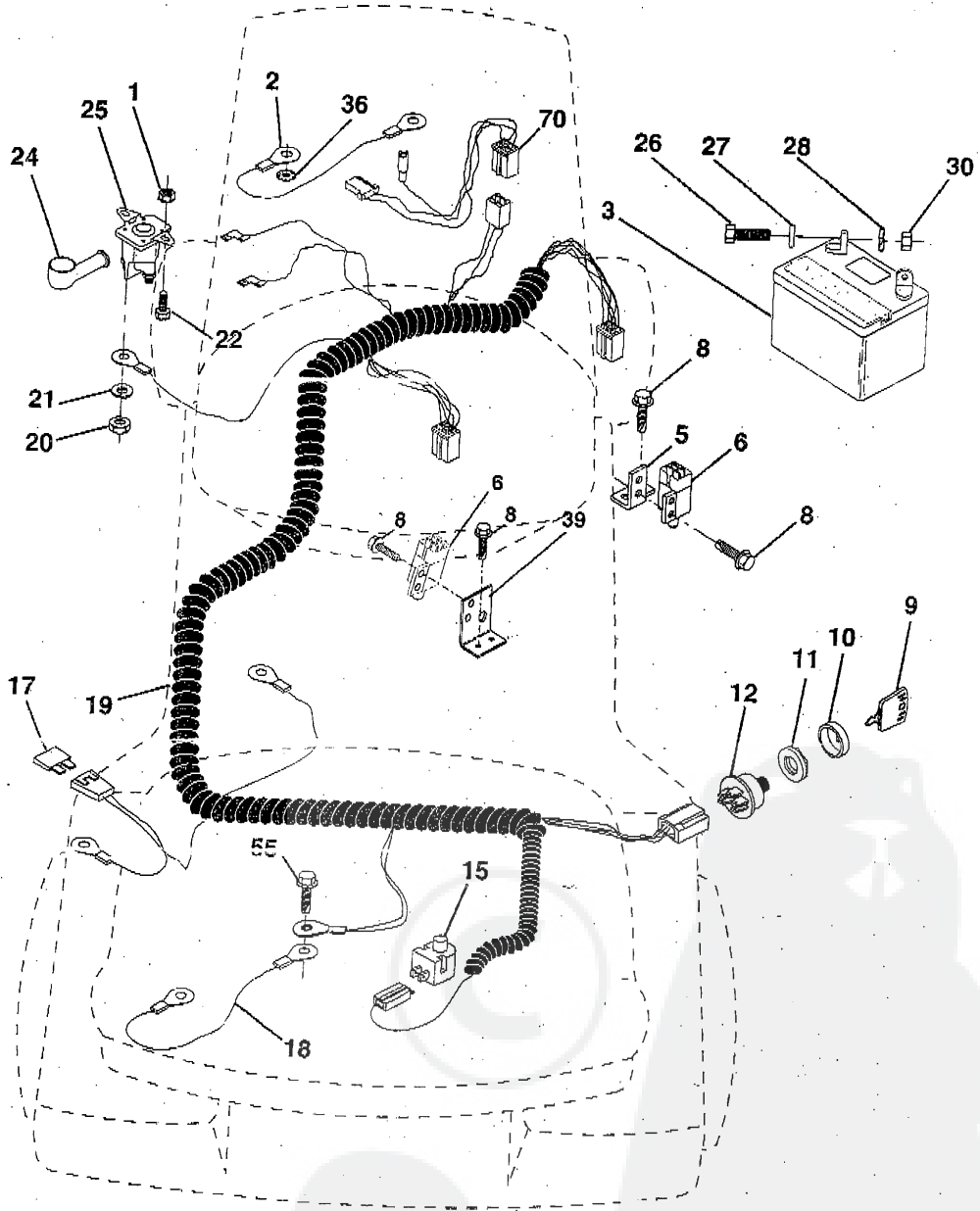


REPAIR PARTS

TRACTOR -- MODEL NUMBER AN12536A

ELECTRICAL



NV EUROGARDEN SA
Sint-Truidensesteenweg 252
B-3300 Tienen - Belgium
Tel. ++32-16-80 54 32
Fax ++32-16-80 54 38

REPAIR PARTS**TRACTOR -- MODEL NUMBER AN12536A****ELECTRICAL**

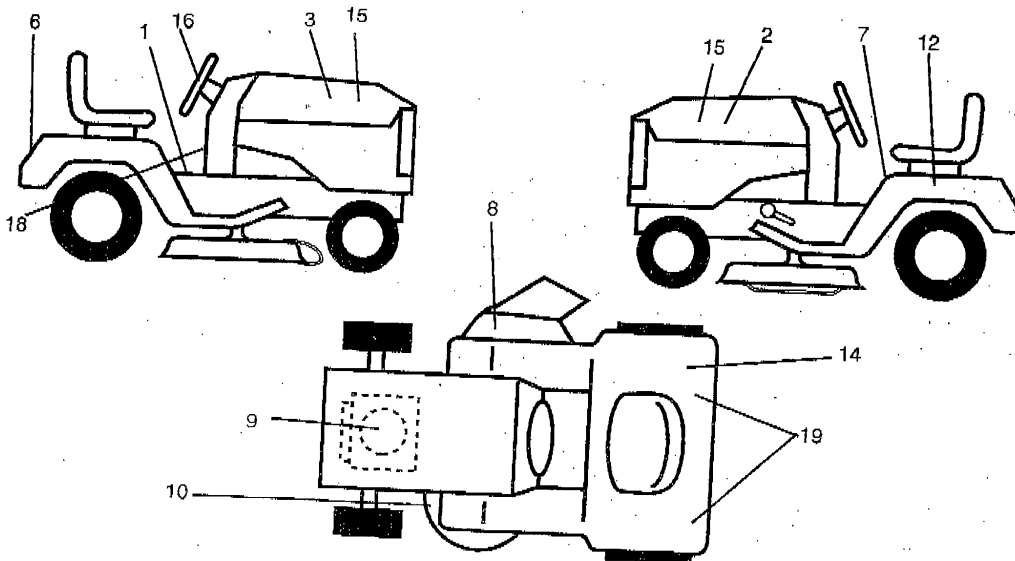
KEY NO.	PART NO.	DESCRIPTION
1	73640400	Nut, Hex, Keps 1/4-20 UNC
2	108423X	Assembly, Cable
3	144924	Battery
5	108236X	Bracket, Switch
6	109553X	Switch, Interlock 4 Terminal
8	17021008	Screw, Hex Head, Tapping #10-24 x 1/2
9	140401	Key, Molded
10	141226	Cover, Ignition Key
11	140400	Nut, Ignition
12	144921	Switch, Ignition
15	121305X	Switch, Plunger
17	106824A	Fuse
18	128353	Assembly, Cable
19	146063	Harness, Ignition
20	73350400	Nut, Hex, Jam 1/4-20
21	10090400	Washer, Lock 1/4
22	71110408	Bolt, Hex, Fin. 1/4-20 UNC x 1/2 Grade 5
24	131563	Cover, Terminal
25	145673	Solenoid
26	74760412	Bolt, Hex Head 1/4-20 UNC x 3/4
27	19091016	Washer 9/32 x 5/8 x 16
28	10040400	Washer, Lock, Hvy. Hel. Spring 1/4
30	73220400	Nut, Hex, Fin. 1/4-20
36	11150400	Washer Lock Internal Tooth 1/4
39	141735	Bracket Switch Clutch
55	17490508	Screw Thdrol 5/16-18 X 1/2
70	140413	Harness, Engine

NOTE: All component dimensions given in U.S. inches.
1 inch = 25.4 mm

HARDWARE SHOWN LARGER FOR EASIER IDENTIFICATION

TRACTOR -- MODEL NUMBER AN12536A

DECALS



KEY PART NO.

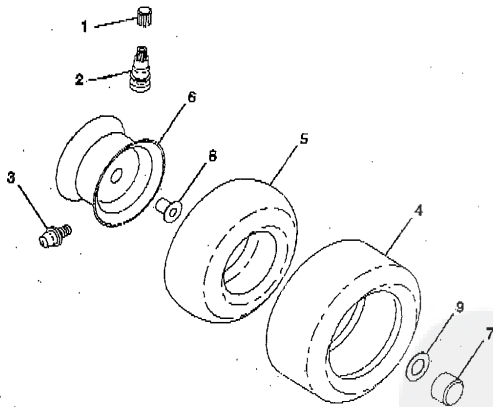
KEY NO.	PART NO.	DESCRIPTION
1	145545	Decal, Inst. Oper. sym.
2	143383	Decal, Stripe, Hood, L.H.
3	143382	Decal, Stripe, Hood, R.H.
6	137043	Decal, Fender
7	145498	Decal, Read Owners Manual Sym
8	145494	Decal, Warning cuttinger
9	272632	Decal Engine
10	136830	Decal, V-Belt Schematic
12	145005	Decal, Caution, Battery Dan/Poi
14	125690X	Decal 100 DbA
15	148719	Decal, Panel Side

KEY PART NO.

KEY NO.	PART NO.	DESCRIPTION
16	137042	Decal, Wheel Steering
18	145437	Decal, Europe Stand Ce
19	138804	Decal, Fender Quick shift
--	138311	Decal, Handle, Lift
--	147193	Manual, Operator's (Euro)
--	148413	Manual, Repair Parts

Available accessories are not included with your tractor:
 -- C36 Grass Bagger
 -- MK36 Mulcher Kit

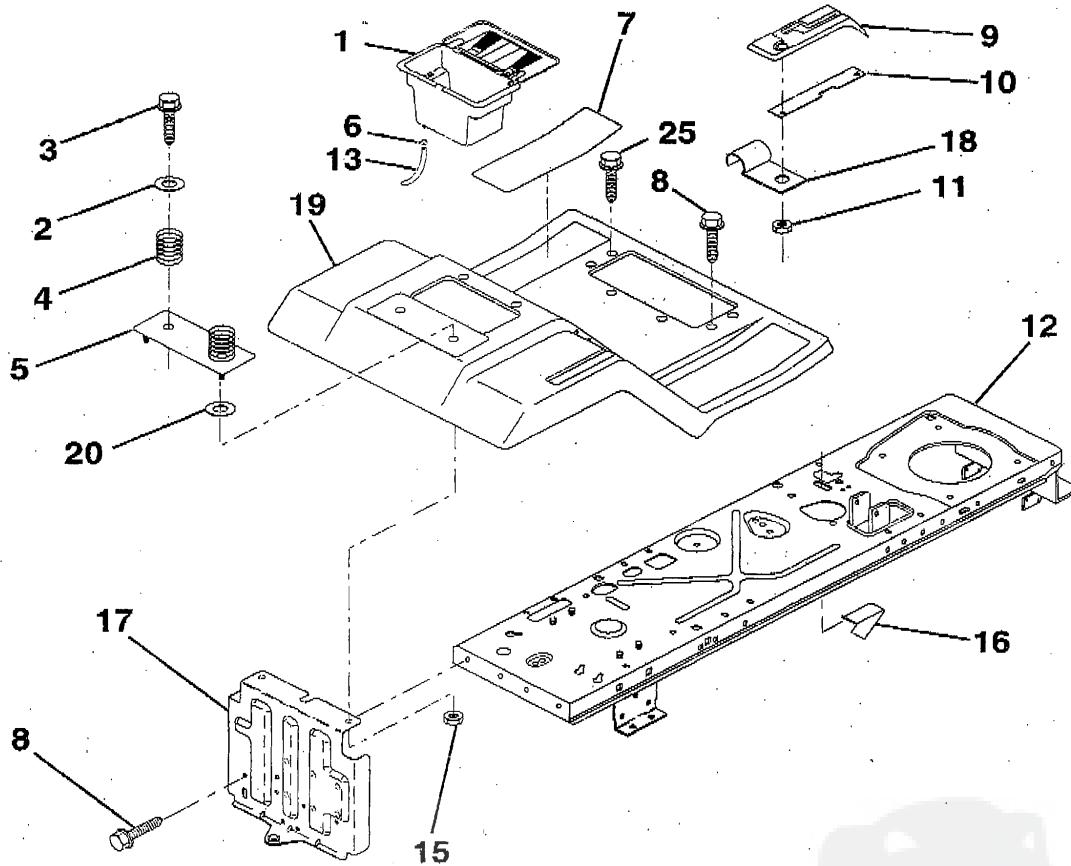
WHEELS AND TIRES



KEY PART NO.

KEY NO.	PART NO.	DESCRIPTION
1	59192	Cap, Valve
2	65139	Stem, Valve
3	278H	Fitting, Grease (Front Only)
4	123410X	Tire, Front
	123411X	Tire, Rear
5	59904	Tube, Tire, Front
	8134H	(Optional, Service Item Only) Tube, Tire, Rear
6	122394X473	(Optional, Service Item Only) Rim Assembly, Front
	140325X473	Rim Assembly, Rear
7	104757X	Cap, Axle
8	9040H	Bearing, Flange (Front Only)
9	121748X	Washer, Axle Cap

NOTE: All component dimensions given in U. S. inches
 1 inch = 25.4 mm

REPAIR PARTS**TRACTOR -- MODEL NUMBER AN12536A****FENDER / CHASSIS**

KEY NO.	PART NO.	DESCRIPTION
1	129965	Case Battery Hng Mech w/Lid
2	19132012	Washer 13/32 x 1-1/4 x 12 Ga
3	17490612	Screw Thdrol 3/8-16 x 3/4
4	124181X	Spring Seat
5	127115X550	Plate Asm Battery
6	109596X	Clamp Hose
7	124144X	Pad Footrest
8	17490512	Screw Thdrol 5/16-18 x 3/4
9	126995X	Console Shift
10	139783	Plate Lock Shift
11	124346X	Nut Self-Thd Wsh-Hd 1/4
12	145190	Chassis Asm

KEY NO.	PART NO.	DESCRIPTION
13	109238X	Tube Plastic
14	73800500	Nut Lock Hx w/Ins 5/16-18
15	73640400	Nut Hex 1/4-20
16	141736	Switch Actuator
17	140782	Drawbar
18	126470X	Clip Insulated
19	140955X550	Fender/Footrest
20	19091413	Washer 9/32 x 7/8 x 13 Ga
25	17190516	Screw Thdrol 5/16-18 x 1

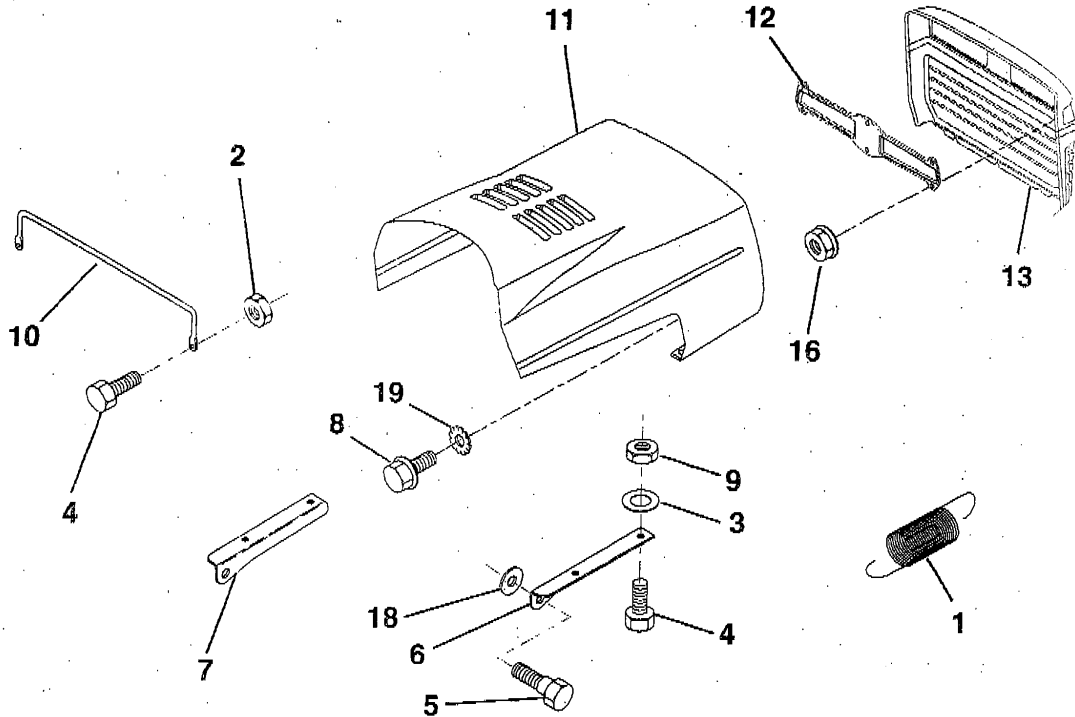
NOTE: All component dimensions given in U. S. inches
1 inch = 25.4 mm

HARDWARE SHOWN LARGER FOR EASIER IDENTIFICATION

REPAIR PARTS

TRACTOR -- MODEL NUMBER AN12536A

HOOD



KEY NO.	PART NO.	DESCRIPTION
1	124657X	Spring
2	73640400	Nut 1/4-20
3	19091416	Washer 9/32 x 7/8 x 16 Ga.
4	74780412	Bolt Fin Hex 1/4-20 x .75
5	139888	Bolt Shoulder 5/16-18
6	122549X	Bracket Hood RH
7	122548X	Bracket Hood LH
8	17521310	Screw Std Hex Hd w/Pl Washer
9	73800400	Nut Lock w/insert 1/4 - 20
10	123693X	Brace Hood

KEY NO.	PART NO.	DESCRIPTION
11	132918X550	Hood
12	127178	Lens Clear Bar
13	134232X428	Grille
16	124346X	Nut Self Thd 1/4
18	19111116	Washer 11/32 x 11/16 x 16 Ga
19	11030400	Washer Lock 1/4 Int/Ext Tooth

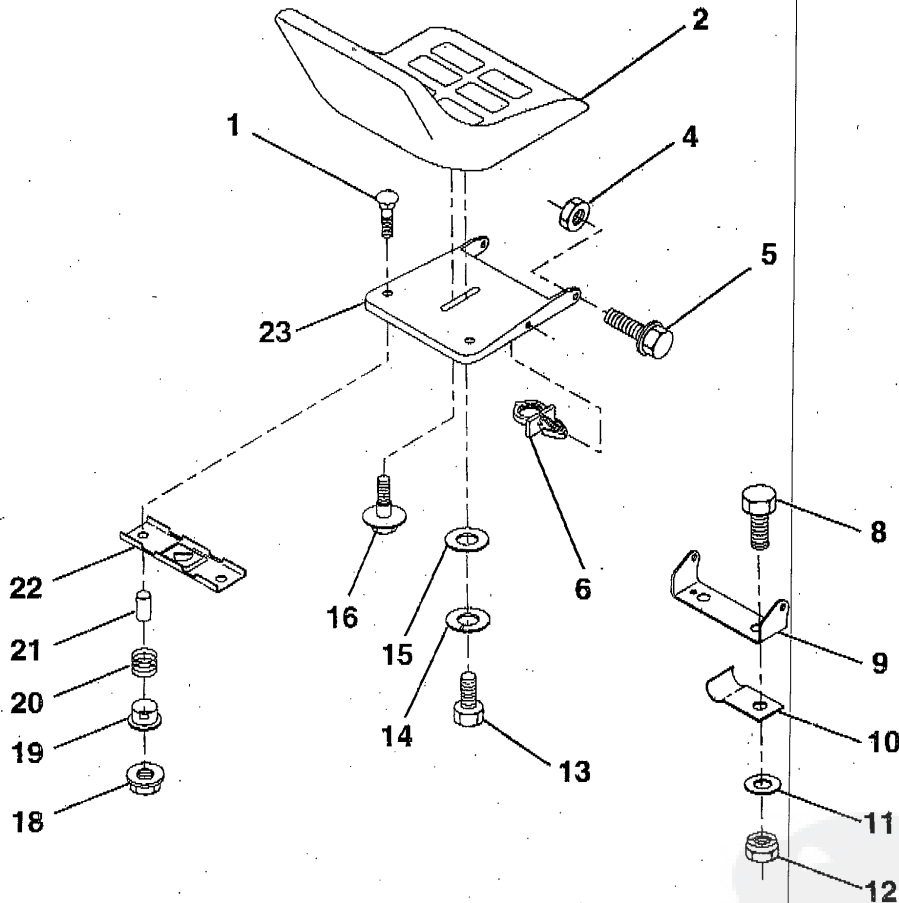
NOTE: All component dimensions given in U.S. inches.
1 inch = 25.4 mm

HARDWARE SHOWN LARGER FOR EASIER IDENTIFICATION

REPAIR PARTS

TRACTOR -- MODEL NUMBER AN12536A

SEAT



KEY NO.	PART NO.	DESCRIPTION
1	72050411	Bolt, Carriage 1/4-20 x 1-3/8
2	134647	Seat
4	73800500	Nut, Crownlock 5/16-18
5	139888	Bolt Shld. 5/16-18
6	145006	Clip, Push-In
8	74760616	Bolt, Hex, Fin. 3/8-16 UNC x 1
9	140551	Bracket, Pivot, Seat
10	126471X	Clip Insulated
11	19133210	Washer 13/32 x 2 x 10 Gauge
12	73800600	Nut, Lock Hex w/Wsh 3/8-16
13	74780814	Bolt, Hex, Fin 1/2-13 UNC x 7/8 Gr 5

KEY NO.	PART NO.	DESCRIPTION
14	10040800	Washer, Lock, Heavy Helical Spring
15	19171912	Washer 17/32 x 13/16 x 12 Ga.
16	127018X	Bolt, Shoulder
18	123976X	Nut, Hex, Large, Flangelock
19	121248X	Bushing, Snap
20	121250X	Spring, Cpn. Plate Sw.
21	134300	Spacer, Split
22	121246X	Bracket, Switch Mounting
23	140552	Pan, Seat

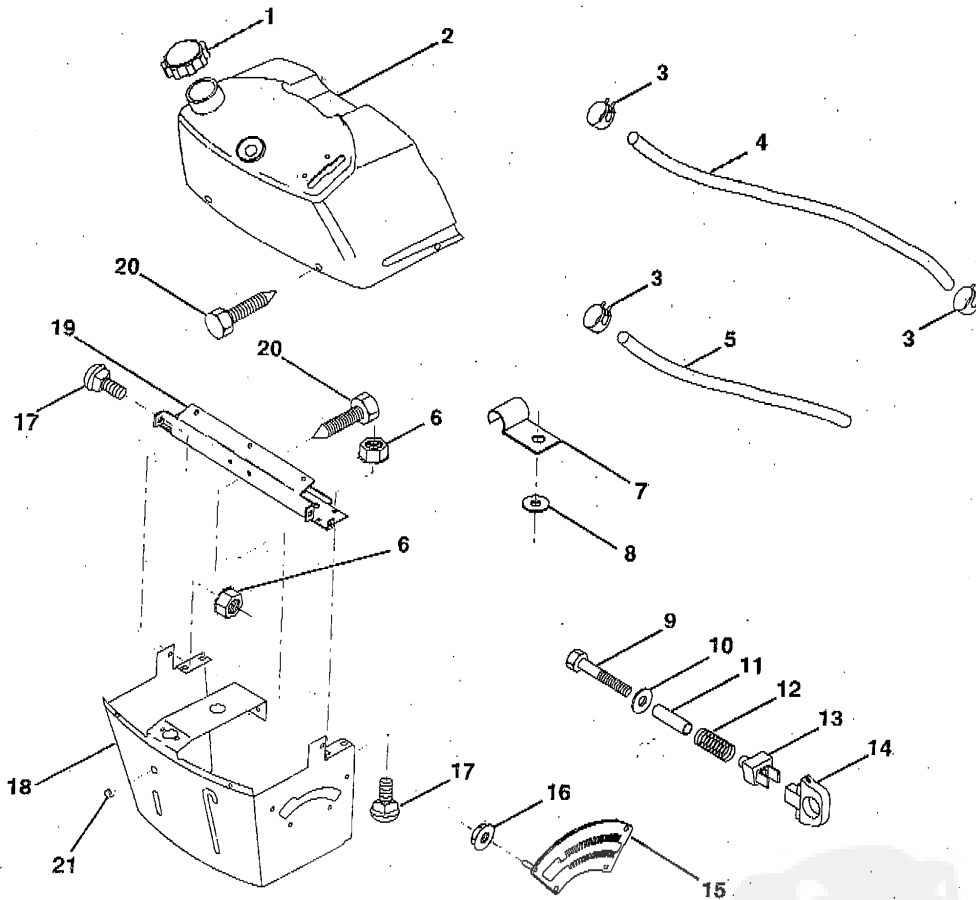
NOTE: All component dimensions given in U. S. inches
1 inch = 25.4 mm

HARDWARE SHOWN LARGER FOR EASIER IDENTIFICATION

REPAIR PARTS

TRACTOR -- MODEL NUMBER AN12536A

DASH



KEY NO.	PART NO.	DESCRIPTION
1	141523	Cap, Fuel
2	138393	Assembly, Dash & Fuel Tank
3	123487X	Clamp, Hose
4	8544R	Line, Fuel
5	8548R	Line, Fuel
6	73640400	Nut, Hex, Keps 1/4-20
7	2751R	Clip, Fuel Line
8	19091216	Washer 9/32 x 3/4 x 16 Ga.
9	74760428	Bolt, Hex, Fin. 1/4-20 x 1-3/4
10	19091413	Washer 11/32 x 11/16 x 16 Ga.
11	121249X	Spacer, Split
12	3720R	Spring

KEY NO.	PART NO.	DESCRIPTION
13	126450X	Clip, Height Adjustment
14	126115X	Knob, Height Stop
15	122023X	Adjustment, Quadrant Height
16	124348X	Nut, Self-Threading 3/16-18
17	72110404	Bolt, Carriage 1/4-20 x 1/2 Gr. 5
18	130745	Support Assembly, Dash
19	134744	Brace, Cross
20	17060408	Screw, Self-Tapping 1/4-20 x 1/2
21	134014	Plug, Dome

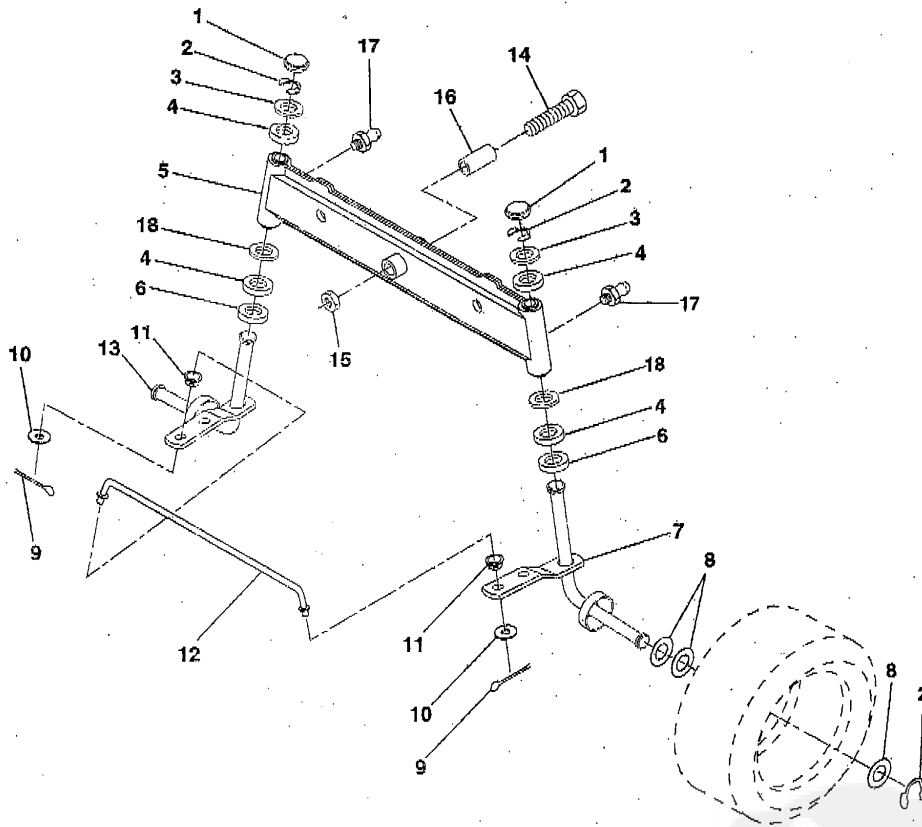
NOTE: All component dimensions given in U. S. inches
1 inch = 25.4 mm

HARDWARE SHOWN LARGER FOR EASIER IDENTIFICATION

REPAIR PARTS

TRACTOR - - MODEL NUMBER AN12536A

FRONT AXLE



KEY NO.	PART NO.	DESCRIPTION
1	121232X	Cap, Spindle
2	12000029	Ring, Clip
3	121748X	Washer 25/32 x 1-5/8 x 16 Ga.
4	3366R	Bearing
5	142033	Axle, Front
6	6266H	Bearing, Thrust
7	137062	Spindle Assembly, R.H.
8	121749X	Washer 25/32 x 1-1/4 x 16 Ga.
9	76020412	Pin, Cotter 1/8 x 3/4
10	19131316	Washer 13/32 x 13/16 x 16 Ga.

KEY NO.	PART NO.	DESCRIPTION
11	126847X	Bushing
12	130465	Rod, Tie
13	137061	Spindle Assembly, L.H.
14	74011058	Bolt Hex 5/8-11 X 3-1/2
15	73901000	Nut, Lock Flange 5/8-11
16	110438X	Spacer, Bearing
17	6855M	Fitting, Grease
18	19272016	Washer 27/32 X 1-1/4 X 16 Ga.

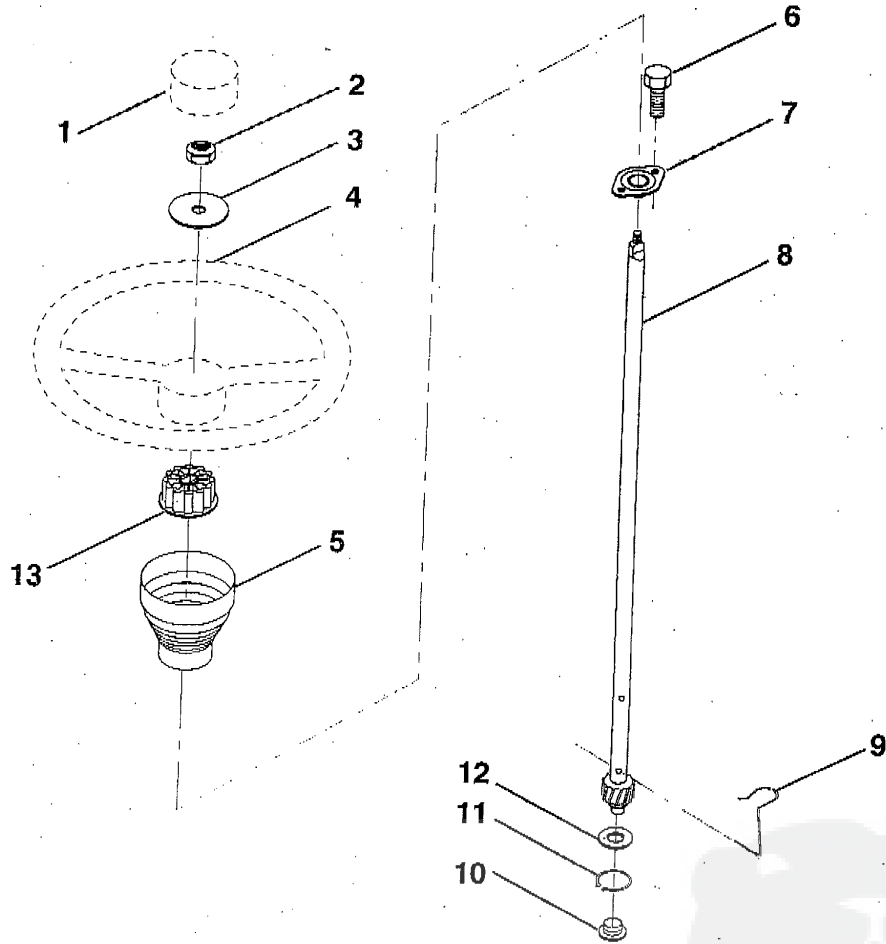
NOTE: All component dimensions given in U. S. inches
1 inch = 25.4 mm

HARDWARE SHOWN LARGER FOR EASIER IDENTIFICATION

TRACTOR

TRACTOR -- MODEL NUMBER AN12536A

STEERING WHEEL



KEY NO.	PART NO.	DESCRIPTION
1	133742	Insert, Steering Wheel
2	7810H	Locknut 3/8-24 UNF
3	19133808	Washer 13/32 x 2-3/8 x 8 Gauge
4	133741	Steering Wheel
5	121897X	Sleeve, Steering
6	17431008	Screw, Hex #10-16 x 1/2 TY-B
7	102803X	Bushing, Steering
8	123651X	Shaft, Steering

KEY NO.	PART NO.	DESCRIPTION
9	124210X	Clip, Steering
10	123438X	Bushing, Lower, Steering
11	12000045	Ring, Retaining
12	19211616	Washer 21/32 x 1 x 16 Gauge
13	104820X	Adaptor, Steering Wheel

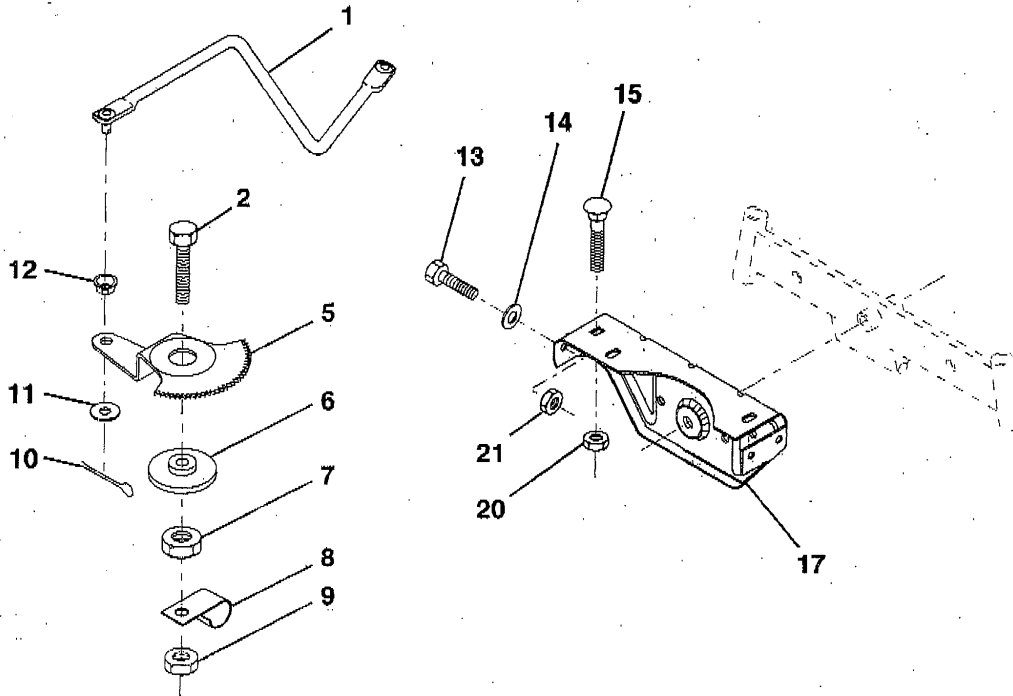
NOTE: All component dimensions given in U.S. inches
1 inch = 25.4 mm

HARDWARE SHOWN LARGER FOR EASIER IDENTIFICATION

REPAIR PARTS

TRACTOR -- MODEL NUMBER AN12536A

SECTOR GEAR / AXLE SUPPORT



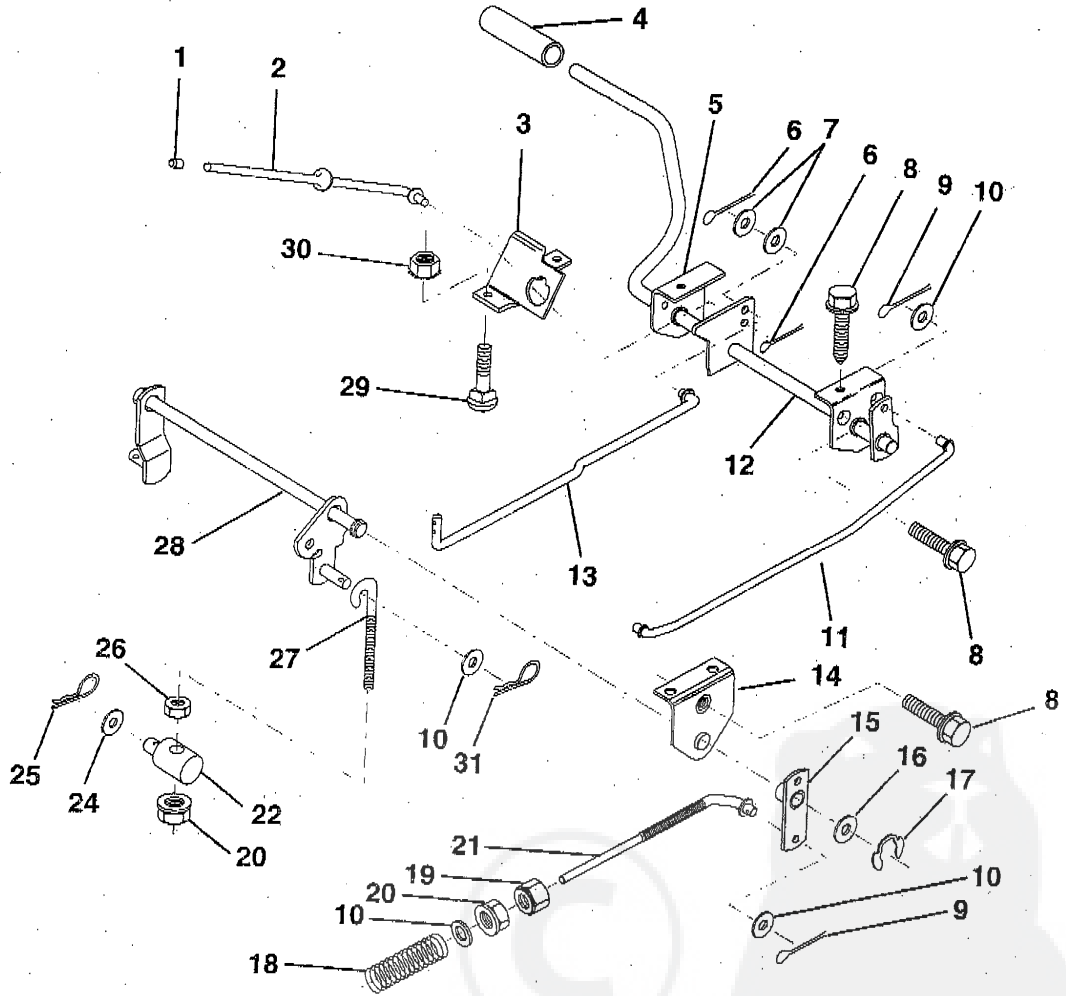
KEY NO.	PART NO.	DESCRIPTION
1	132566	Link, Drag
2	74780828	Bolt, Hex, Fin. 1/2-13 x 1-3/4
5	121926X	Gear, Sector
6	121927X	Bushing
7	73030800	Nut, Heavy Hex, Top Lock 1/2-13 UNC
8	126472X	Clip, Insulated
9	73680800	Nut, Crownlock 3/8-16
10	76020412	Pin, Cotter 1/8 x 3/4
11	19131316	Washer 13/32 x 13/16 x 16 Ga.

KEY NO.	PART NO.	DESCRIPTION
12	126847X	Bushing
13	74760512	Bolt, Hex Hd 5/16 - 18 x 3/4
14	19111416	Washer 11/32 x 7/8 x 16 Ga.
15	72110606	Bolt, Carriage 3/8-16 UNC x 3/4
17	137096	Support, Front Axle
20	73680600	Nut, Crownlock 3/8-16
21	73680500	Nut, Crownlock 5/16-18

NOTE: All component dimensions given in U. S. inches
1 inch = 25.4 mm

HARDWARE SHOWN LARGER FOR EASIER IDENTIFICATION

TRACTOR -- MODEL NUMBER AN12536A BRAKE / REAR MOWER LIFT ASSEMBLY



REPAIR PARTS**TRACTOR -- MODEL NUMBER AN12536A****BRAKE / REAR MOWER LIFT ASSEMBLY**

KEY NO.	PART NO.	DESCRIPTION
1	71673	Cap, Plunger
2	123436X	Rod, Parking Brake
3	123437X	Bracket, Parking Brake
4	8156H	Cover, Pedal
5	122504X	Bracket, Clutch/Brake Pedal, L.H.
6	76020312	Pin, Cotter 3/32 x 3/4
7	19131016	Washer 13/32 x 5/8 x 16 Gauge
8	17490508	Screw, Hex Head, Thd., Roll. 5/16-18 x 1/2
9	76020412	Pin, Cotter 1/8 x 3/4
10	19131316	Washer 13/32 x 13/16 x 16 Ga.
11	123543X	Rod, Brake Front
12	139933	Assembly, Clutch/Brake Pedal
13	123394X	Rod, Clutch
14	121978X	Bracket, Lift, Shaft
15	133332	Assembly, Brake, Pivot, Arm
16	19251816	Washer 25/32 x 1-1/8 x 16 Ga.
17	12000034	Ring, Klip
18	106888X	Spring, Brake Rod
19	73350600	Nut, Hex, Jam 3/8-16 UNC
20	73680600	Nut, Crownlock 3/8-16
21	131460	Rod, Rear, Brake
22	144585	Trunnion, Lift
24	19132012	Washer 13/32 x 1-1/4 x 12 Ga.
25	4921H	Spring, Retainer
26	73930600	Nut, Centerlock 3/8-16 UNC
27	127369	Link, Threaded
28	140776	Assembly, Rear Mower Lift
29	72110506	Bolt, Carriage 5/16-18 UNC x 3/4
30	73510500	Nut, Hex, Keps 5/16-16 UNC
31	3146R	Retainer Spring

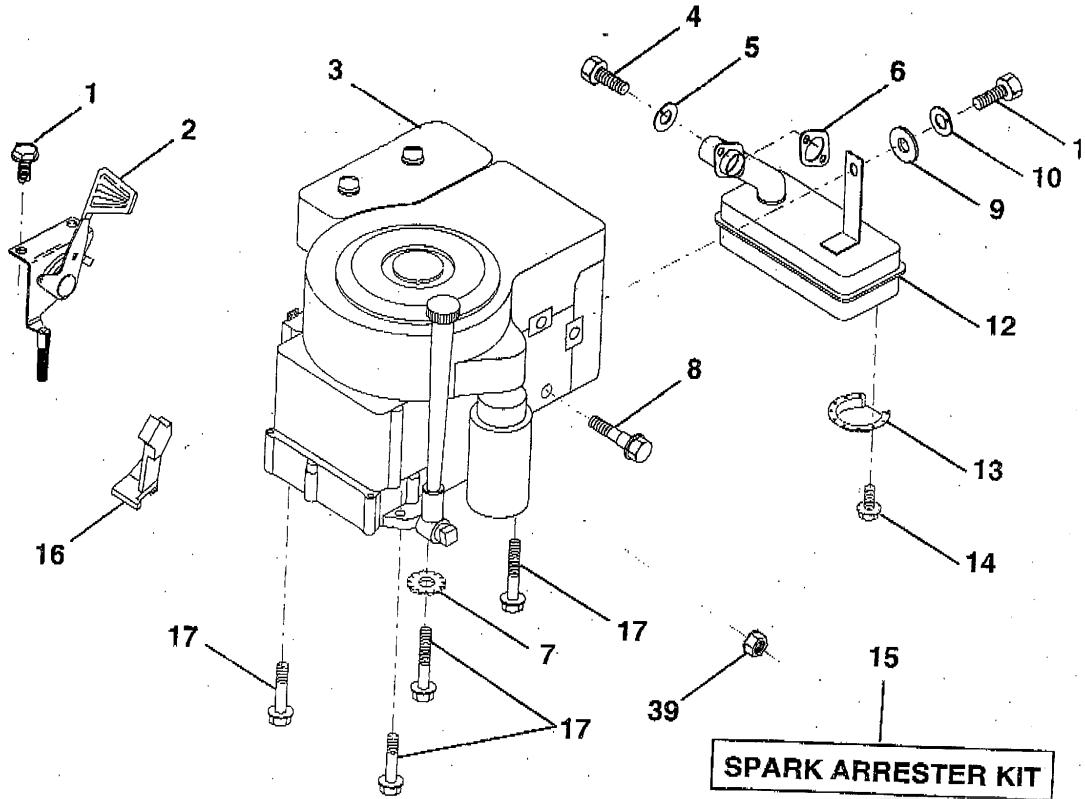
NOTE: All component dimensions given in U. S. inches
1 inch = 25.4 mm

HARDWARE SHOWN LARGER FOR EASIER IDENTIFICATION

REPAIR PARTS

TRACTOR -- MODEL NUMBER AN12536A

ENGINE / THROTTLE



KEY NO.	PART NO.	DESCRIPTION
1	17060408	Screw 1/4-20 x 1/2
2	133025	Control, Throttle
3	145300	Engine, B&S, 12.5 HP, Model No. 289707
4	71070512	Screw, Hex Cap Head 5/16-18 x 3/4
5	10040500	Washer, Lock 5/16
6	125593X	Gasket, Exhaust
7	11050600	Washer Lock Ext. Tooth 3/8
8	121094X	Bolt, Shoulder 5/16
9	19101216	Washer 5/16 x 3/4 x 16 Ga.
10	10040400	Washer, Lock, Hvy Hlcl Spring 1/4

KEY NO.	PART NO.	DESCRIPTION
11	-----	Bolt, Hex, Fin (Order from Engine Mfg.)
12	137437	Muffer
13	101326L	Deflector, Muffer
14	17030808	Screw, spiderlock Hex Hd 8 x 1/2
15	137180	Arrester, Spark (Optional)
16	127951	Stop, Throttle
17	17490624	Screw, Hex Washer Head, Thd., Roll. 3/8-16 x 1-1/2
39	73510400	Nut Keps, Hex 1/4-20

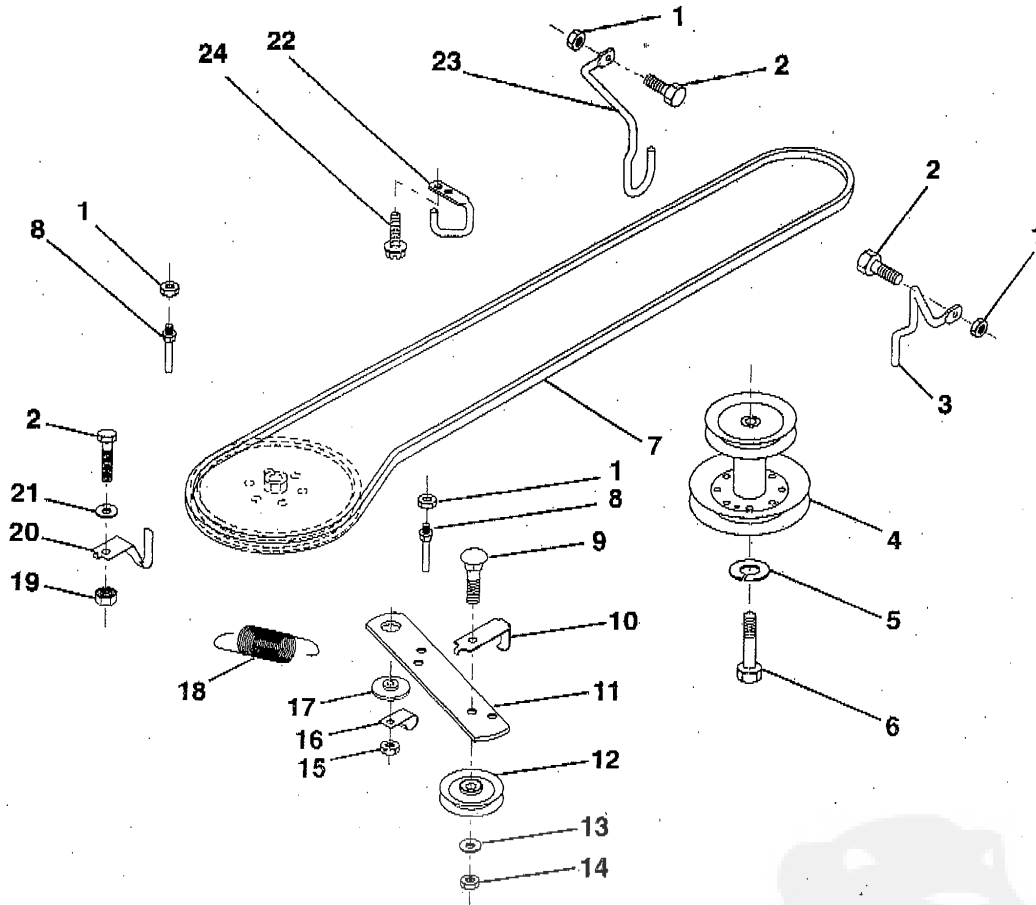
NOTE: All component dimensions given in U. S. inches
1 inch = 25.4 mm

HARDWARE SHOWN LARGER FOR EASIER IDENTIFICATION

REPAIR PARTS

TRACTOR -- MODEL NUMBER AN12536A

GROUND DRIVE



KEY NO.	PART NO.	DESCRIPTION
1	73680500	Nut, Crownlock 5/16-18
2	74760512	Bolt, Hex Hd. 5/16-18 UNC x 3/4
3	141342	Keeper, Mower Drive Belt, R.H.
4	138029	Pulley, Engine
5	10040700	Washer, Lock 7/16
6	71170744	Bolt, Hex, Fin. 7/16-20
7	124525X	Traction, V-Belt, Drive
8	123405X	Keeper, T/A, Ground Drive Belt
9	72140612	Bolt, Carriage 3/8-16 UNC x 1-1/2
10	123396X	Keeper, Ground Drive, Belt, Idler
11	140911	Clutch Arm, Ground Drive
12	123674X	Idler, Flat
13	19131316	Washer 13/32 x 13/16 x 16 Ga.
14	73930600	Nut, Centerlock 3/8-16 UNC

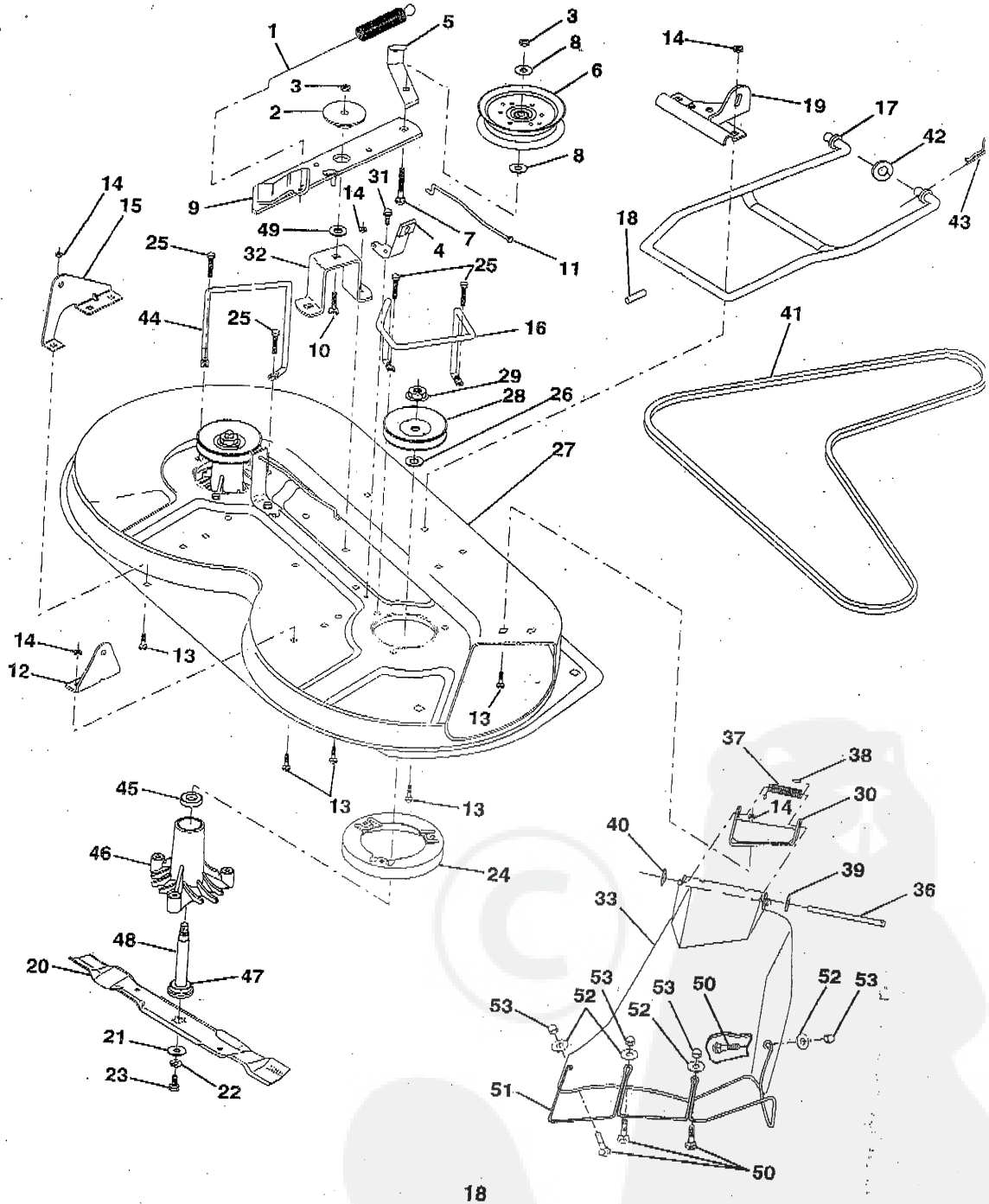
KEY NO.	PART NO.	DESCRIPTION
15	73680600	Nut, Crownlock 3/8-16
16	126471X	Clip Insulator
17	122052X	Spacer, Retainer
18	131459	Spring Extension
19	73510500	Nut, Hex, Keps 5/16-18 UNC
20	139919	Keeper, T/A, Ground Drive Belt
21	19111016	Washer 11/32 x 5/8 x 16 Gauge
22	123404X	Keeper, Frame, Ground Drive Belt
23	140916	Keeper, Mower Drive Belt, L.H.
24	17720408	Screw Thd Cut 1/4-20 x 1/2

NOTE: All component dimensions given in U. S. inches
1 inch = 25.4 mm

HARDWARE SHOWN LARGER FOR EASIER IDENTIFICATION

MOWER DECK

TRACTOR -- MODEL NUMBER AN12536A



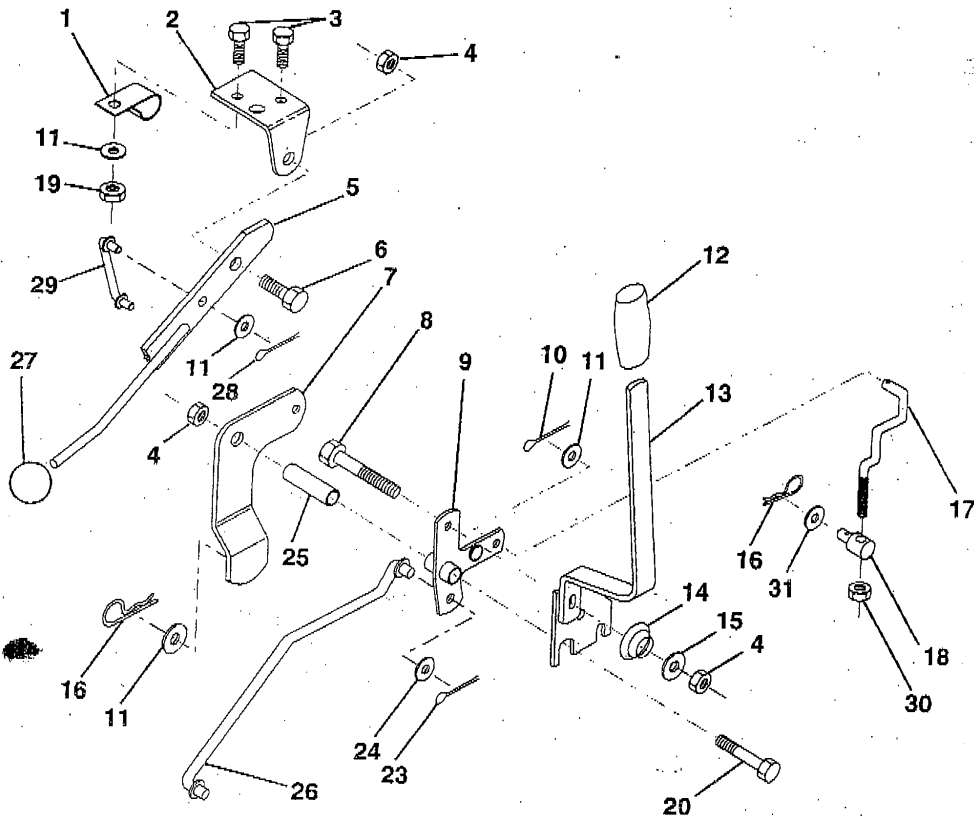
REPAIR PARTS**TRACTOR -- MODEL NUMBER AN12536A****MOWER DECK**

KEY PART NO.	PART NO.	DESCRIPTION
1	140064	Spring, Mower Clutch
2	122052X	Spacer, Retainer
3	73680600	Nut, Crownlock 3/8-16
4	130840	Brake Assembly
5	131251	Guide, Belt, Idler
6	121316X	Pulley, Flat, Idler
7	72110616	Bolt, Carriage 3/8-16 x 2-1/4
8	19131410	Washer 13/21 x 7/8 x 10 Gauge
9	127744	Arm Assembly, Idler, Mower
10	72140610	Bolt, Carriage 3/8-16 x 1-1/4
11	130841	Rod, Brake
12	127356	Bracket, Lift, Rear, R.H.
13	72140506	Bolt, Carriage 5/16-18 x 5/8
14	73660500	Nut, Crownlock 5/16-18
15	127357	Bracket, Lift, Rear, L.H.
16	140093	Keeper, R.H.
17	128508	Link Assembly, Mower Stabilizer
18	128511	Pin, Drive
19	127380	Bracket, Assembly, Front
20	138496	Blade
21	140296	Washer, Hardened
22	10030600	Washer, Lock 3/8
23	850857	Bolt 3/8-24 x 1-1/4 Grade 8
24	140329	Stripper
25	138776	Screw Thdrol. Hex Head
26	129963	Washer .150 Thick
27	129983	Housing Assembly
28	129207	Pulley, Mandrel
29	137266	Nut, Flangelock 9/16
30	136631	Bracket, Assembly, Deflector
31	17490508	Screw, Hex Washer Head, Thd., Roll. 5/16-18 x 1/2
32	122051X	Arm, Support, Idler, Mower
33	139083	Deflector
36	121980X	Rod, Hinge
37	123713X	Spring, Torsion, Deflector
38	105304X	Cap, Sleeve
39	19111016	Washer 11/32 x 5/8 x 16 Gauge
40	110452X	Push Nut
41	131264	V-Belt
42	19171616	Washer 11/32 x 5/8 16 Gauge
43	3146R	Retainer, Spring
44	140608	Keeper, L.H.
45	110485X	Bearing
46	128774	Housing, Mandrel, Vented
47	129895	Bearing
48	137645	Shaft, Mandrel (Includes Key Number 47)
49	133943	Washer, Hardened
50	M720305016	Bolt Rd Hd Sq Nk M5 X 0.8 X 16 mm
51	136383	Guard, Deflector Mower 36" TUV
52	19070718	Washer 7/32 x 7/16 X 18 Ga.
53	M730705000	Nut, Acorn M5 X 0.8
--	130794	Mandrel Assembly (Includes Key No.'s 21-23, 26, 29 and 45-48)
--	144973	Mower Deck, Complete

HARDWARE SHOWN LARGER FOR EASIER IDENTIFICATION

TRACTOR -- MODEL NUMBER AN12536A

MOWER LIFT LEVER



KEY NO.	PART NO.	DESCRIPTION
1	126470X	Clip, Insulated
2	122018X	Bracket, Mower Clutch
3	71110408	Bolt, Hex Head, Fin. 1/4-20 UNC x 1/2 Grade 5
4	73680800	Nut, Crownlock 3/8-16
5	145187	Clutch Lever Assembly
6	106451X	Bolt, Shoulder
7	135371	Assembly, Mower Clutch Arm
8	74760636	Bolt, Hex 3/8-16 UNC x 2-1/4
9	121930X	Bellicrank Assembly
10	76020412	Pin, Cotter 1/8 x 3/4
11	19131316	Washer 13/32 x 13/16 x 16 Ga.
12	131861	Grip, Handle
13	139352	Assembly, Lift Handle
14	123496X	Spring, Compression
15	19131212	Washer 13/32 x 3/4 x 12 Ga.
16	4921H	Retainer, Spring

KEY NO.	PART NO.	DESCRIPTION
17	127359	Link, Front Lift
18	142028	Trunnion, Threaded 3/8-16
19	73680400	Nut, Crownlock 1/4-20
20	74760644	Bolt, Hex Head, Fin. 3/8-16 UNC x 2-3/4
23	76020416	Pin, Cotter 1/8 x 1
24	19171812	Washer 17/32 x 1 x 12 Ga.
25	121933X	Tube, Spacer
26	141470	Rod, Mower Lift
27	106932X	Knob
28	76020312	Pin, Cotter 3/32 x 3/4
29	131655	Link, Mower Clutch
30	73350600	Nut, Hex Jam 3/8 - 16
31	19132012	Washer 13/32 X 1-1/4 X 12 Ga.

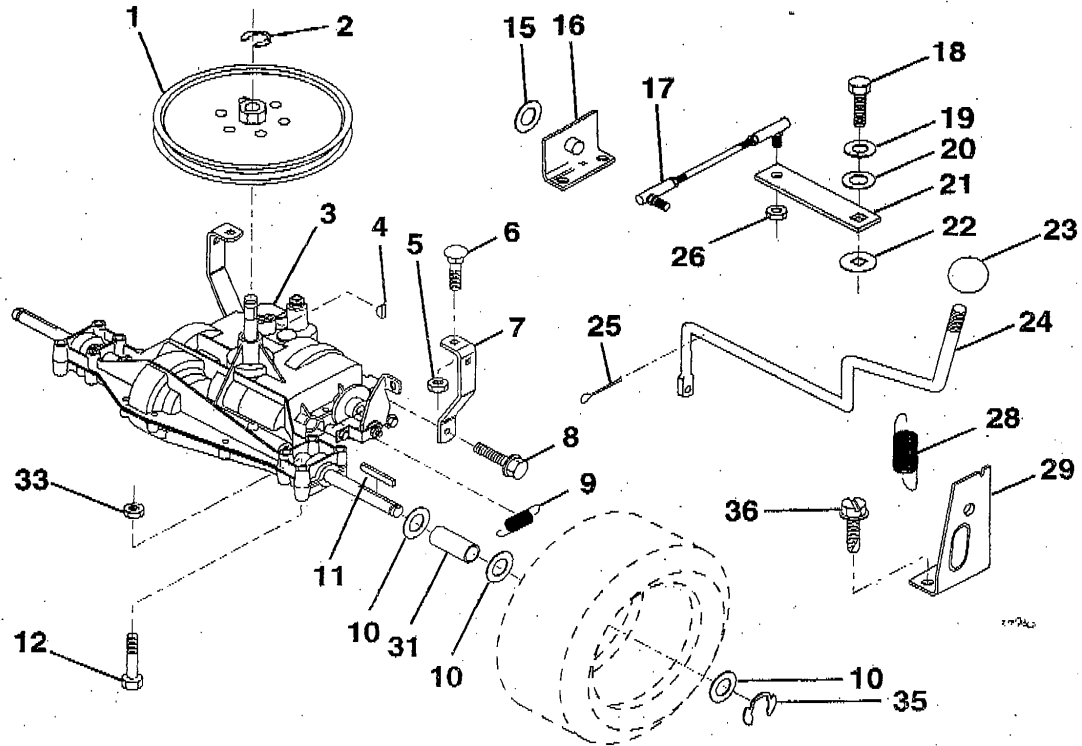
NOTE: All component dimensions given in U. S. inches
1 inch = 25.4 mm

HARDWARE SHOWN LARGER FOR EASIER IDENTIFICATION

REPAIR PARTS

TRACTOR -- MODEL NUMBER AN12536A

TRANSAXLE



KEY NO.	PART NO.	DESCRIPTION
1	123385X	Pulley
2	12000028	Ring, Retainer
3	142603	Transaxle Dana, Model Number 4360-79
4	2228M	Key, Woodruff #9
5	73680500	Nut, Crownlock 5/16-18
6	72140506	Bolt, Carriage 5/16-18 x 3/4
7	123378X	Strap, Torque
8	17490512	Screw, Hex, Thdrl H 5/16-18 x 3/4
9	146682	Spring, Brake
10	121749X	Washer 25/32 x 1-1/4 x 16 Ga.
11	123583X	Key, Square
12	74760644	Bolt Hex 3/8-16 x 2-3/4
15	19171616	Washer 17/32 x 1 x 16 Ga.
16	124600X	Support Handle Shift LH
17	123632X	Link, Shift
18	74550412	Bolt Hex 1/4-28 x 3/4 Cat. 8

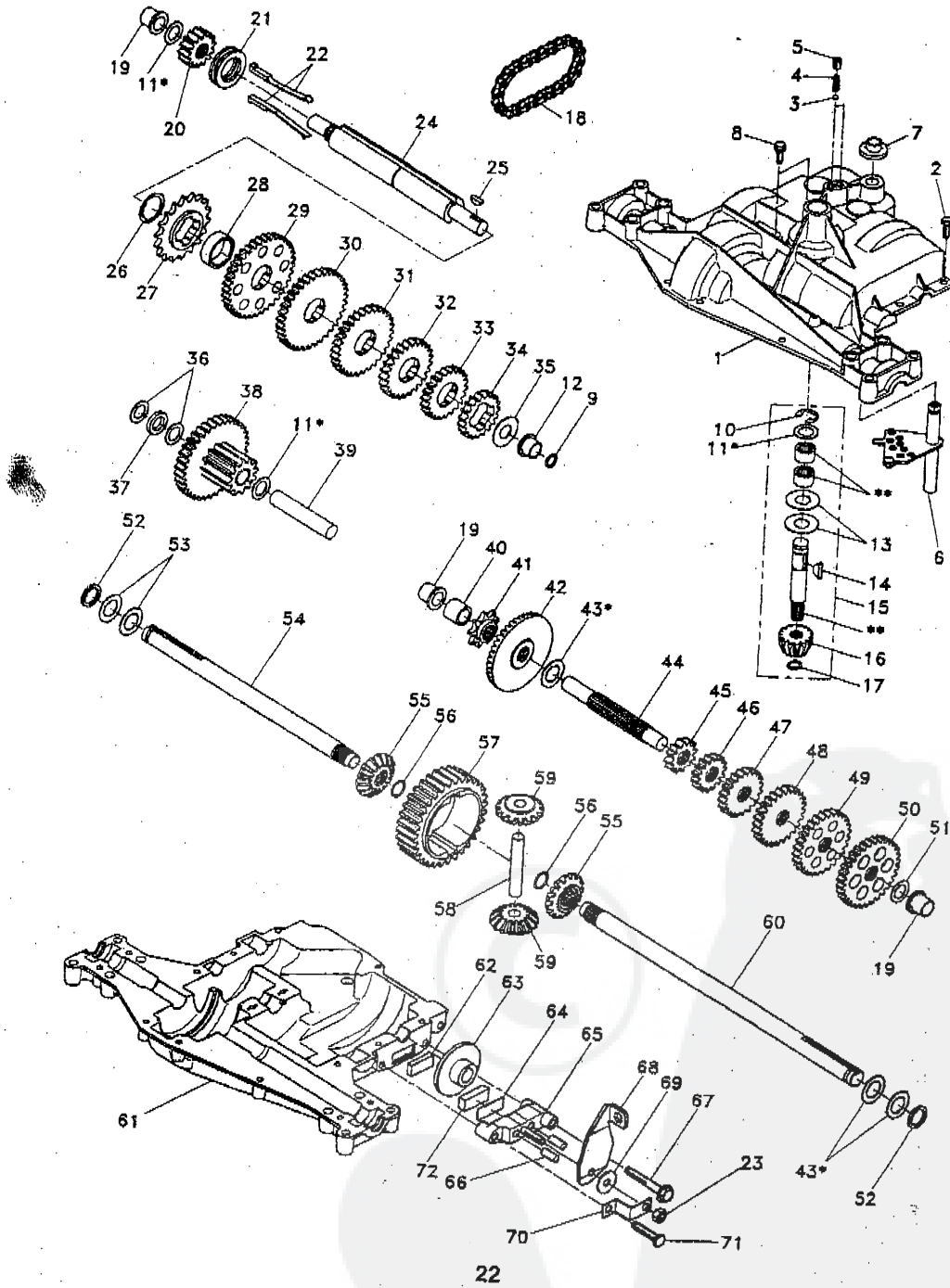
KEY NO.	PART NO.	DESCRIPTION
19	10040400	Washer, Lock 1/4
20	19091210	Washer 9/32 x 3/4 x 10 Ga.
21	123539X	Arm, Shift
22	105701X	Washer, Shift Plate
23	106933X	Knob
24	128215	Rod, Shift
25	76020416	Pin, Cotter 1/8 x 1
26	73810500	Nut, Hex, Nylon 5/16-24
28	128085	Spring, Extension
29	128084	Support Handle Shift RH
31	109502X	Spacer
33	73680600	Nut, Crownlock 3/8-16
35	12000001	E Ring
36	17720408	Screw Thd Cut 1/4-20 x 1/2

NOTE: All component dimensions given in U. S. inches
1 inch = 25.4 mm

HARDWARE SHOWN LARGER FOR EASIER IDENTIFICATION

REPAIR PARTS

**TRACTOR -- MODEL NUMBER AN12536A
DANA TRANSAXLE - MODEL NUMBER 4360-79**



REPAIR PARTS**TRACTOR - - MODEL NUMBER AN12536A****DANA TRANSAXLE - MODEL NUMBER 4360-79**

KEY PART NO. NO.	DESCRIPTION	KEY PART NO. NO.	DESCRIPTION
1 142671	Housing, Upper	41 105928X	Sprocket, 9 Teeth
2 2274J	Screw, Self-Tapping, Large. 1/4-20 x .734	42 110084X	Gear, Bevel, 42 Teeth
3 134400	Ball, Detent	43 134394	* Assembly, Kit, Shim .750 Shaft
4 105904X	Spring, Detent	44 120473X	Shaft, Drive
5 105905X	Screw, Set	45 142678	Gear, Spur, 12 Teeth
6 138235	Kit, Shifter Assembly	46 142679	Gear, Spur, 15 Teeth
7 134399	Boot, Shifter	47 120407X	Gear, Spur, 20 Teeth
8 134791	Screw, Tapping w/Sealer	48 106589X	Gear, Spur, 25 Teeth
9 138241	Square Ring	49 120408X	Gear, Spur, 28 Teeth
10 142672	Ring, Retaining	50 105937X	Gear, Spur, 31 Teeth
11 134793	* Assembly, Kit, Shim .625 Shaft	51 2226J	Washer, Plain .632 x 1.00 x .060
12 142673	Bearing, Flange	52 134401	Washer, Neoprene
13 120415X	Washer, Plain .632 x 1.38 x .046	53 2264J	Washer, Plain .758 x 1.25 x .031
14 142674	Key, Woodruff, #9	54 120474X	Axle, L.H.
15 138234	Assembly, Kit, Input Shaft	55 110081X	Gear, Miter, 15 Teeth
16 110078X	Pinion, Bevel, 14 Teeth	56 105941X	Ring, Retaining
17 105909X	Ring, Retaining	57 110071X	Gear, Spur, 32 Teeth
18 105910X	Chain, 24 Pitches	58 120952X	Shaft, Cross
19 105911X	Bearing, Flange	59 110082X	Gear, Miter, 15 Teeth
20 142675	Gear, Spur, 14 Teeth	60 120475X	Axle, R.H.
21 138246	Collar, Clutch	61 142680	Housing, Lower
22 138236	Assembly, Kit, Clutch Keys	62 120961X	Puck, Friction
23 73810500	Locknut 5/16-24	63 7294J	Disc, Brake
24 142676	Shaft, Intermediate	64 108989X	Spacer
25 2244J	Key, Woodruff, #61	65 120953X	Jaw, Brake
26 105916X	Ring, Retaining	66 120954X	Pin, Dowel
27 120470X	Sprocket, 18 Teeth	67 134799	Screw, Self-Tapping, Large 5/16-18 x 2.25
28 110070X	Spacer	68 138244	Lever, Actuating
29 142677	Gear, Spur, 37 Teeth	69 108996X	Washer, Plain .321 x 1.00 x .055
30 142681	Gear, Spur, 35 Teeth	70 120956X	Bracket, Anti-Rotation
31 120405X	Gear, Spur, 30 Teeth	71 106596X	Screw, Self-Tapping, Large 5/16-18 x 1.44
32 108980X	Gear, Spur, 25 Teeth	72 120951X	Puck, Friction
33 120406X	Gear, Spur, 22 Teeth	73 120416X	Grease
34 134796	Gear, Spur, 19 Teeth		
35 105925X	Washer, Plain .640 x 1.37 x .061		
36 2232J	Washer, Plain .632 x 1.00 x .026		
37 108978X	Spacer .630 x 1.00 x .169		
38 110079X	Assembly, Gear, Combination of 12 Teeth and 35 Teeth		
39 124639X	Shaft, Idler		
40 120472X	Spacer .635 x .875 x .755		

* Use in combinations to maintain proper clearances.

** Order Key No. 15

NOTE: All component dimensions given in U.S. inches
1 inch = 25.4 mm