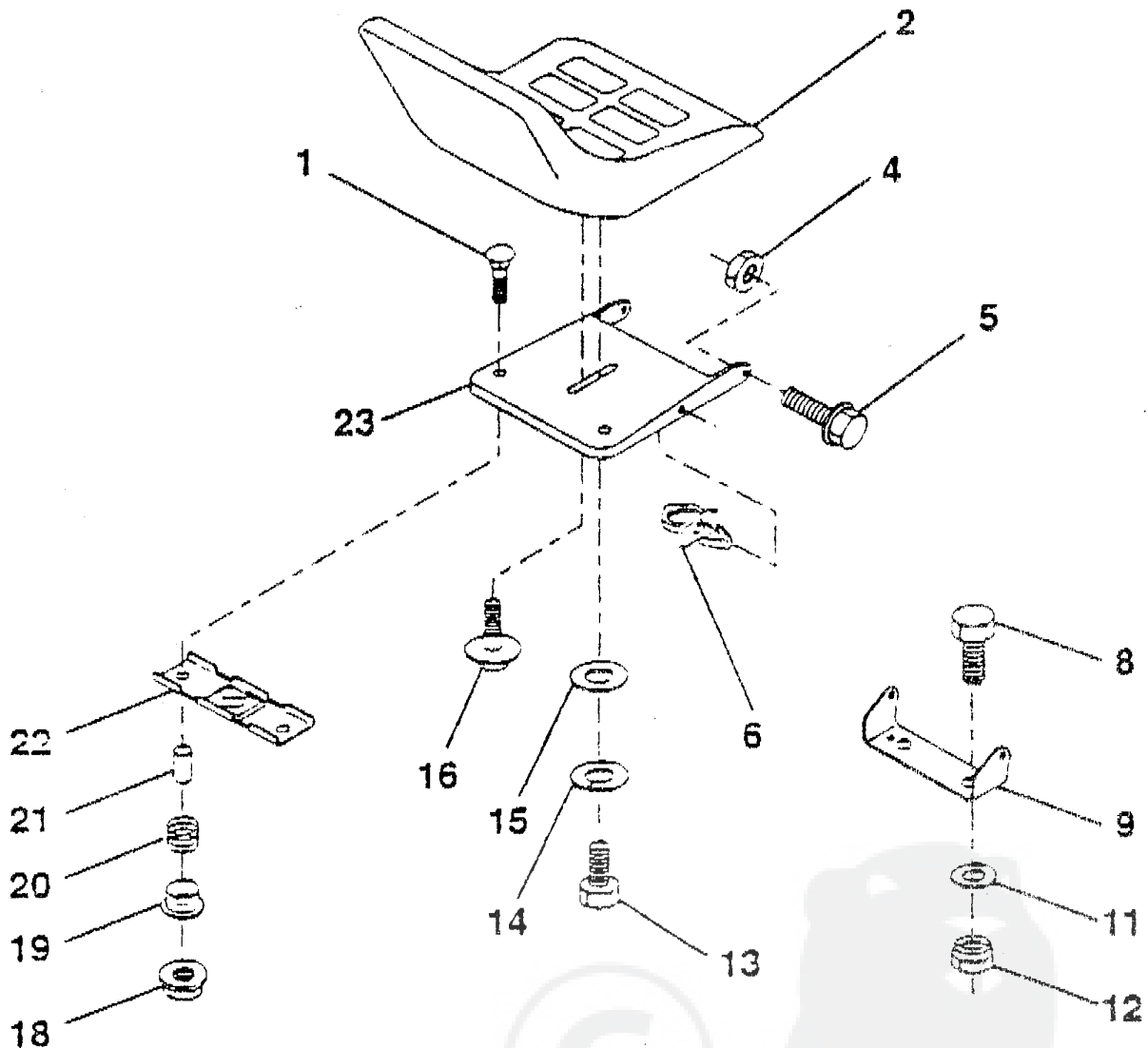


REPAIR PARTS

12.5 HP 38" TRACTOR -- MODEL NUMBER BL12538THA

SEAT



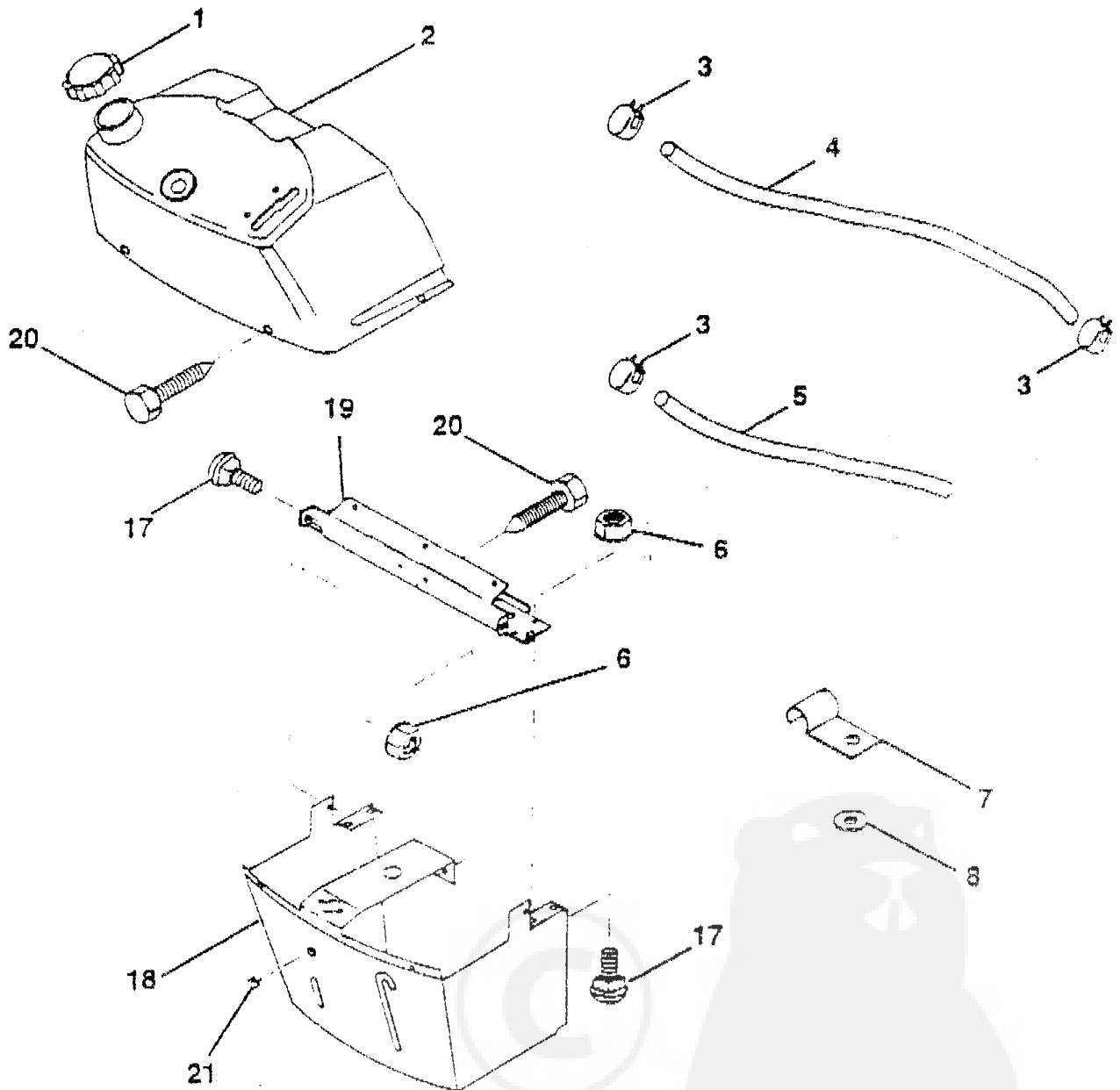
KEY NO.	PART NO.	DESCRIPTION	KEY NO.	PART NO.	DESCRIPTION
1	872050411	Bolt, Carrage 1/4-20 x 1-3/8	13	874780814	Bolt, Fin Hex 1/2-13 UNC x 7/8 Gr. 5
2	532127427	Seat	14	810040800	Washer, Lock Hvy Helical Spring
4	873800500	Nut, Lock Hx w/Ins 5/16-18	15	819171912	Washer, 17/32 x 1-3/16 x 12 Ga
5	532139888	Bolt, Shoulder 5/16-18	16	532127018	Bolt, Shoulder
6	532140407	Clip, Push-In	18	532123976	Nut, Hex Large Flange Lock
7	873951000	Nut, Keps #10-32 UNF	19	532121248	Bushing, Snap
8	874760616	Bolt, Fin Hex 3/8-16 UNC x 1	20	532121250	Spring, Compression
9	532140551	Bracket, Pivot Seat	21	532134300	Spacer, Split 25 Id. x .96 Lg.
10	532126471	Clip, Insulated	22	532121246	Bracket, Switch, Mounting
11	819133210	Washer 12/32 x 3/4 x 10 Ga.	23	532140552	Pan. Seat
12	873800600	Nut, Lock Hex w/wsh 3/8-16			

HARDWARE SHOWN LARGER FOR EASIER IDENTIFICATION

REPAIR PARTS

12.5 HP 38" TRACTOR -- MODEL NUMBER BL12538THA

DASH



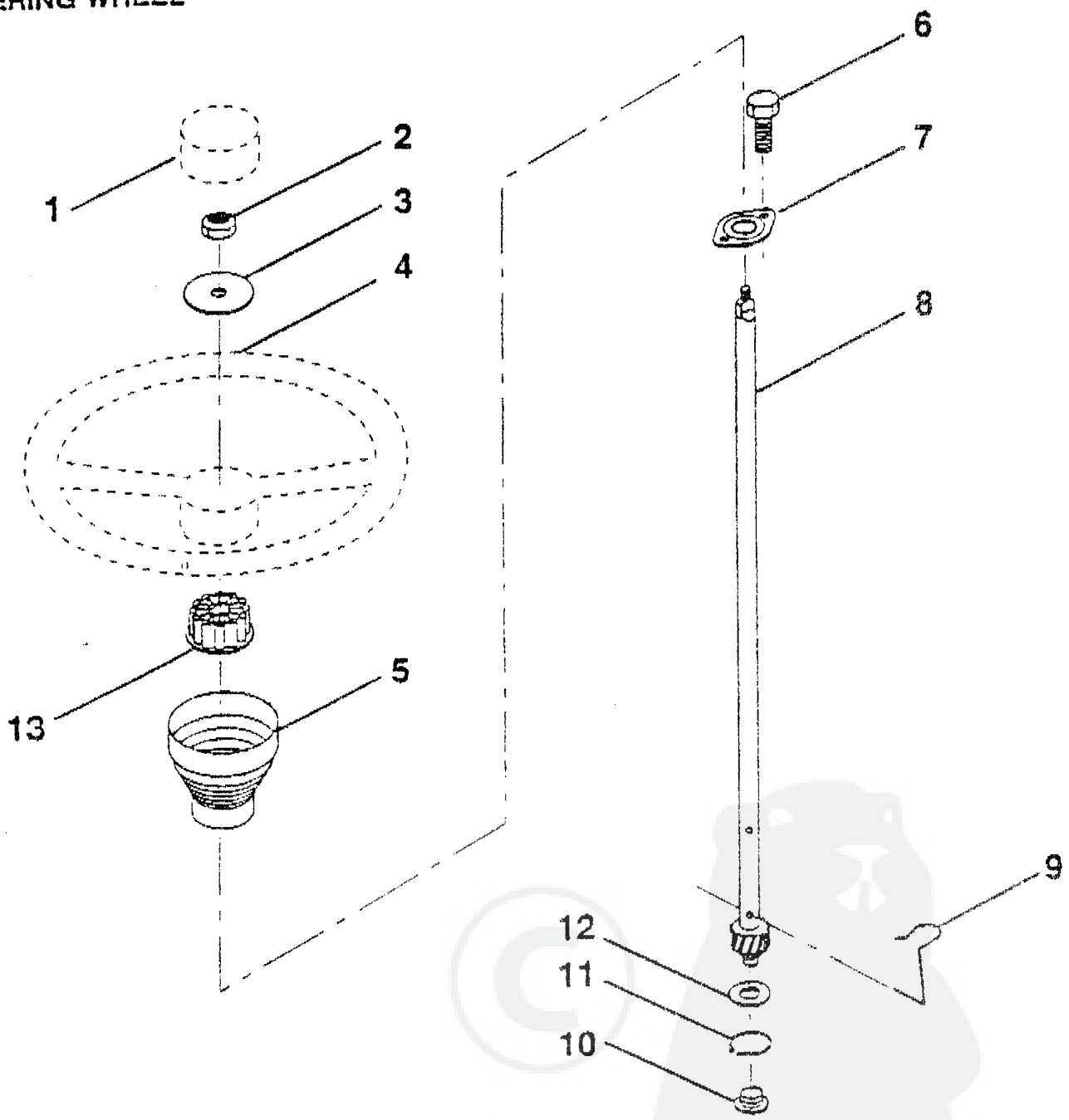
KEY NO.	PART NO.	DESCRIPTION	KEY NO.	PART NO.	DESCRIPTION
1	532141523	Cap. Fuel	8	819091216	Washer 9/32 x 3/4 x 16 Ga.
2	532138393	Assembly, Dash & Fuel Tank	17	872110404	Bot. Carriage 1/4-20 x 1/2 Gr. 5
3	532123487	Clamp, Hose	18	532131886	Support Assembly, Dash
4	532008544	Line, Fuel	19	532134744	Brace, Cross
5	532008548	Line, Fuel	20	817060408	Screw, Self-Tapping 1/4-20 x 1/2
6	873510400	Nut, Hex, Keps 1/4-20	21	532134014	Plug Dome Blk
7	532124996	Clip, Fuel Line			

HARDWARE SHOWN LARGER FOR EASIER IDENTIFICATION

REPAIR PARTS

12.5 HP 38" TRACTOR - - MODEL NUMBER BL12538THA

STEERING WHEEL



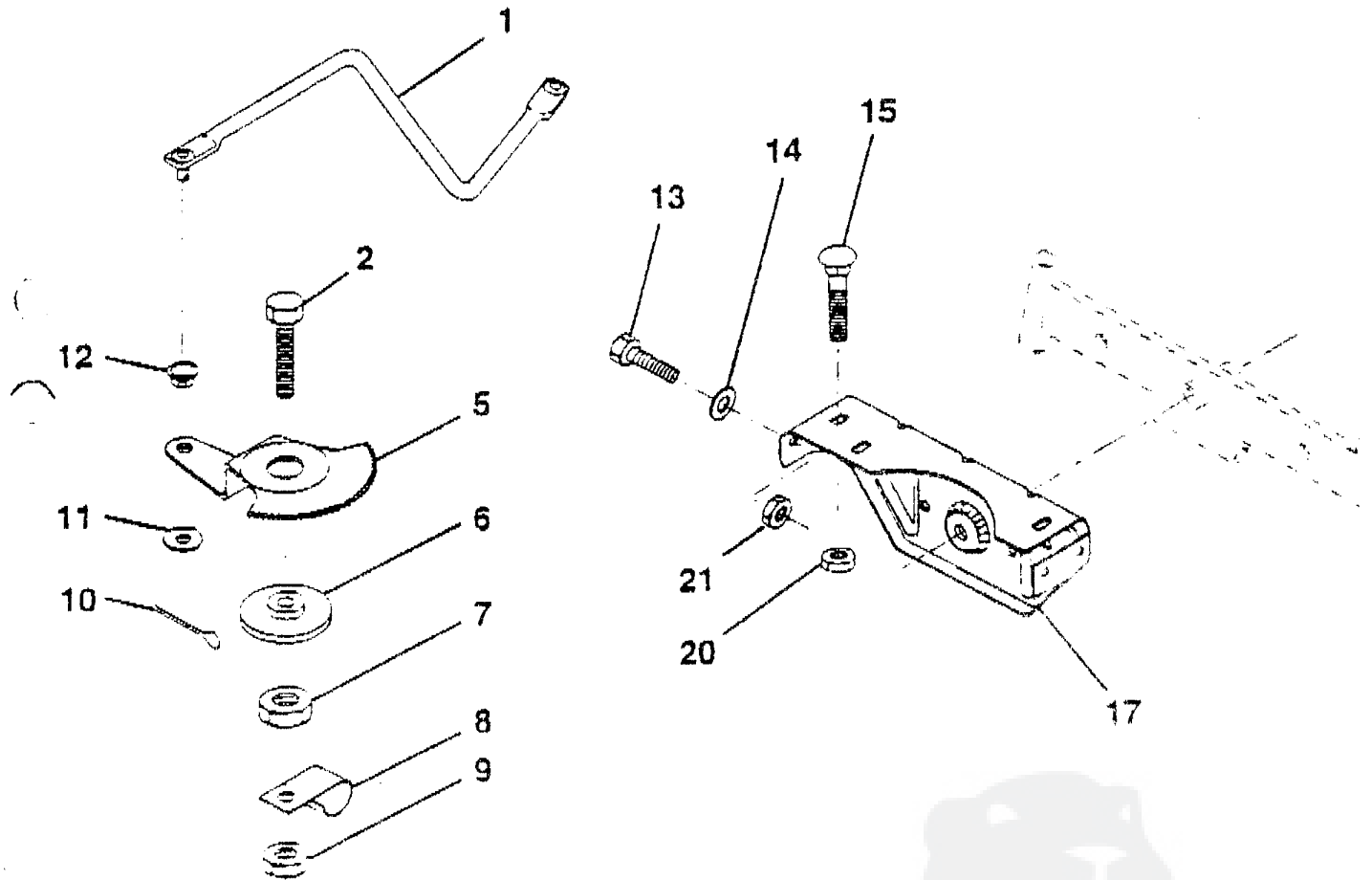
KEY NO.	PART NO.	DESCRIPTION	KEY NO.	PART NO.	DESCRIPTION
1	532133742	Insert, Wheel, Steering	8	532123651	Shaft, Steering
2	532124701	Nut, Lock 3/8-24 UNF	9	532124210	Clip, Steering
3	819133808	Washer 12/32 x 2-3/8 x 8 Ga.	10	532123438	Bushing, Lower, Steering
4	532133741	Wheel, Steering	11	812000045	Ring, Retaining
5	532121897	Sleeve, Steering	12	819211616	Washer 21/32 x 1 x 16 Ga.
6	817431008	Screw, Hex #10-16 x 1/2 TY-B	13	532104820	Adaptor, Wheel, Steering
7	532102803	Bushing, Steering			

HARDWARE SHOWN LARGER FOR EASIER IDENTIFICATION

REPAIR PARTS

12.5 HP 38" TRACTOR - - MODEL NUMBER BL12538THA

SECTOR GEAR / AXLE SUPPORT



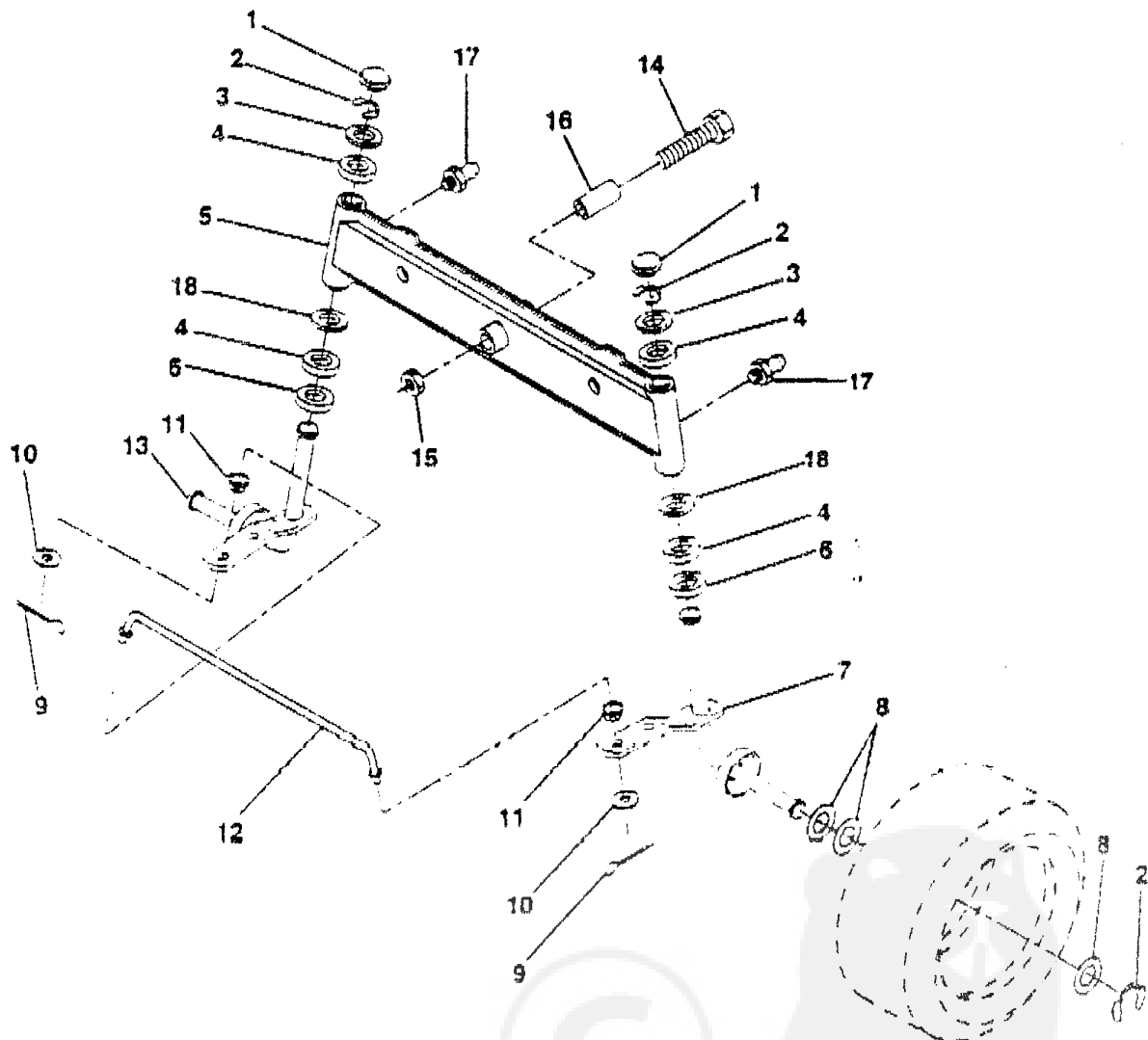
KEY NO.	PART NO.	DESCRIPTION	KEY NO.	PART NO.	DESCRIPTION
1	532132566	Link, Drag	11	819131316	Washer, 13/32 x 12/16 x 16 Ga.
2	874780828	Bolt, Fin Hex 1/2-13 x 1-3/4	12	532126847	Bushing
5	532121926	Gear, Sector	13	874760512	Bolt, Hex Hd. 5/16-18 UNC x 3/4
6	532121927	Bushing	14	819111416	Washer 11/32 x 7/8 x 16 Ga.
7	873030800	Nut, Heavy Hex Top Lock 1/2-13 UNC	15	872110806	Bolt, Carriage 3/8-16 UNC x 3/4
8	532126472	Clip, Insulated	17	532137096	Support, Front Axle
9	873680800	Nut, Crownlock 3/8-16	20	873800600	Nut, Lock Hex w/wsh 3/8-16
10	876020412	Pin, Cotter 1/8 x 3/4	21	873800500	Nut, Lock Hx w/wsh 5/16-18

HARDWARE SHOWN LARGER FOR EASIER IDENTIFICATION

REPAIR PARTS

12.5 HP 38" TRACTOR -- MODEL NUMBER BL12538THA

FRONT AXLE



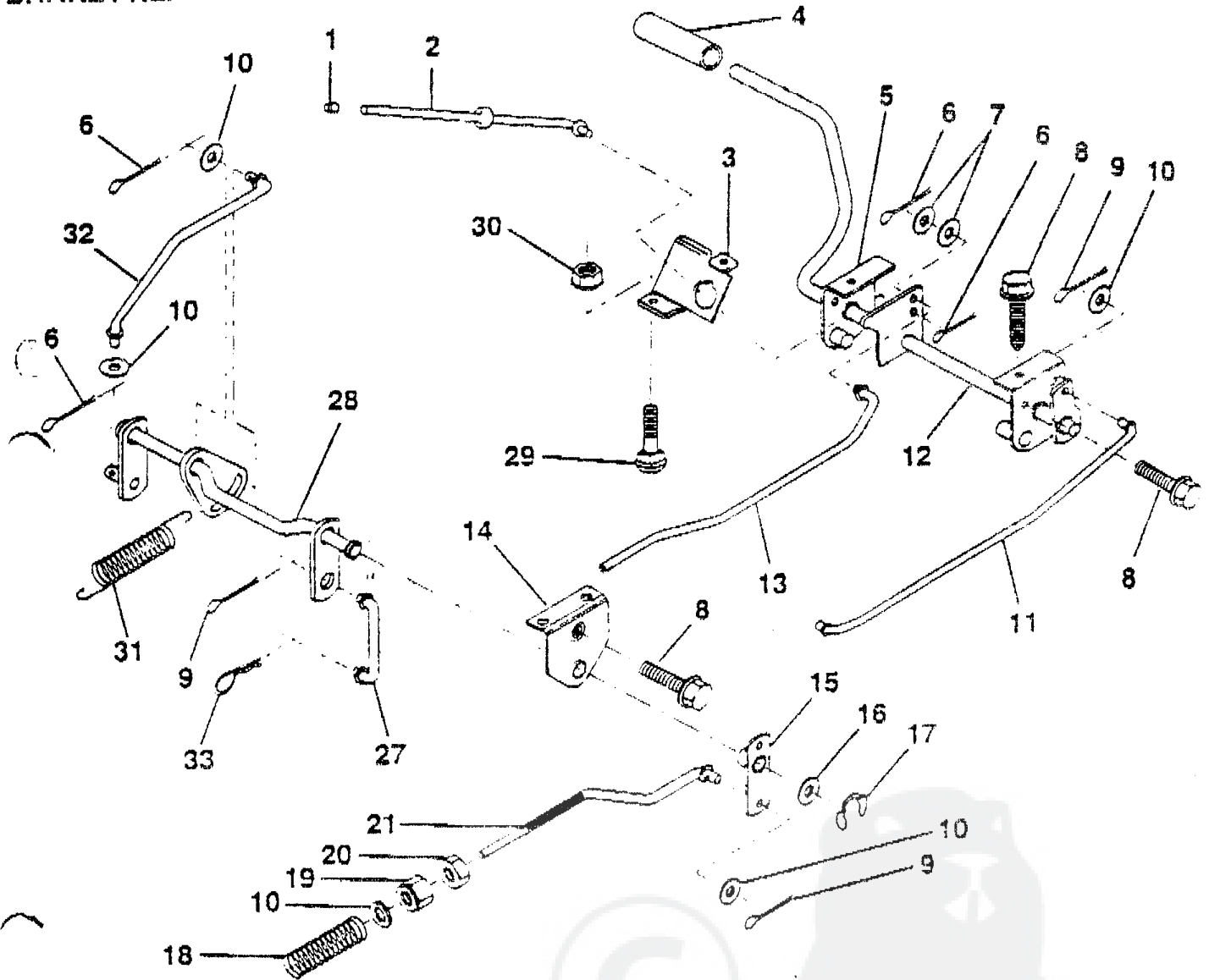
KEY NO.	PART NO.	DESCRIPTION	KEY NO.	PART NO.	DESCRIPTION
1	532121232	Cap. Spindle	10	819131316	Washer 13/32 x 13/16 x 16 Ga.
2	812000029	Ring, Clip	11	532126847	Bushing
3	532121748	Washer 25/32 x 1-5/8 x 16 Ga.	12	532130465	Rod, Tie
4	532124937	Bearing Col Strg Blk	13	532137061	Spindle, L.H. Asm.
5	532142033	Axle, Front	14	874011056	Bolt Hex 5/8-11 x 3-1/2
6	532124931	Bearing, Thrust	15	873901000	Locknut Flange 5/8-11
7	532137062	Spindle, R.H. Asm.	16	532110438	Spacer Bearing Axle Front
8	532121749	Washer 25/32 x 1-1/4 x 16 Ga.	17	532124836	Fitting Grease
9	876020412	Pin, Cotter 1/8 x 3/4	18	819272016	Washer 27/32 x 1-1/4 x 16 Ga.

HARDWARE SHOWN LARGER FOR EASIER IDENTIFICATION

REPAIR PARTS

12.5 HP 38" TRACTOR -- MODEL NUMBER BL12538THA

BRAKE / REAR MOWER LIFT ASSEMBLY



KEY NO.	PART NO.	DESCRIPTION	KEY NO.	PART NO.	DESCRIPTION
1	532071673	Cap. Plunger	15	532123541	Assembly, Brake, Pivot, Arm
2	532123436	Rod, Parking Brake	16	819251816	Washer 25/32 x 1-1/8 x 16 Gauge
3	532123437	Bracket, Parking Brake	17	812000034	Ring, Klip
4	532124872	Cover, Pedal	18	532106888	Spring, Brake Rod
5	532132205	Bracket, Clutch/Brake Pedal, L.H.	19	873800500	Nut Lock Hex w/wsh 3/8-16 UNC
6	878020312	Pin, Cotter 3/32 x 3/4	20	873350600	Nut, Hex, Jam 3/8-16 UNC
7	819131016	Washer 13/32 x 5/8 x 16 Gauge	21	532140766	Rod, Brake, Rear
8	817490508	Screw, Hex Head, Thd., Roll, 5/16-18 x 1/2	27	532136780	Link, Lift Rear
9	876020412	Pin, Cotter 1/8 x 3/4	28	532140777	Assembly, Rear Mower Lift
10	819131316	Washer 13/32 x 13/16 x 16 Gauge	29	872110506	Bolt, Carnage 5/16-18 UNC x 3/4
11	532123543	Rod, Brake, Front	30	873510500	Nut, Hex, Keys 5/16-16 UNC
12	532139934	Assembly, Clutch/Brake Pedal	31	532133095	Spring, Counterbalance
13	532123394	Rod, Clutch	32	532133721	Link, Lift Lever
14	532121978	Bracket, Lift Shaft	33	532124670	Spring, Retainer
			34	532001572	Pin Roll 3/16 x 1 (not shown abo

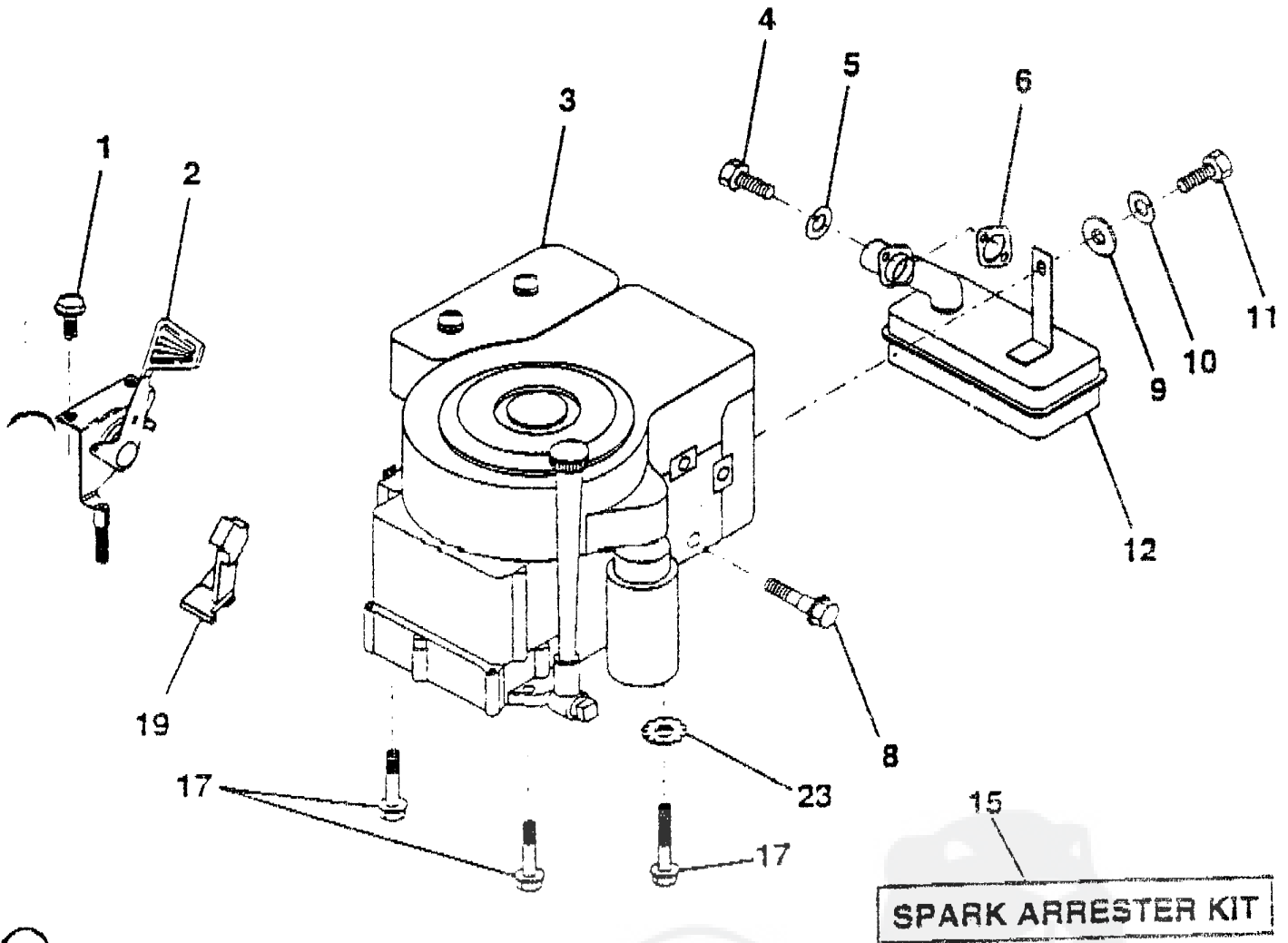
NOTE: All component dimensions given in U.S. inches
1 inch = 25.4 mm

HARDWARE SHOWN LARGER FOR EASIER IDENTIFICATION

REPAIR PARTS

12.5 HP 38" TRACTOR - - MODEL NUMBER BL12538THA

ENGINE / THROTTLE



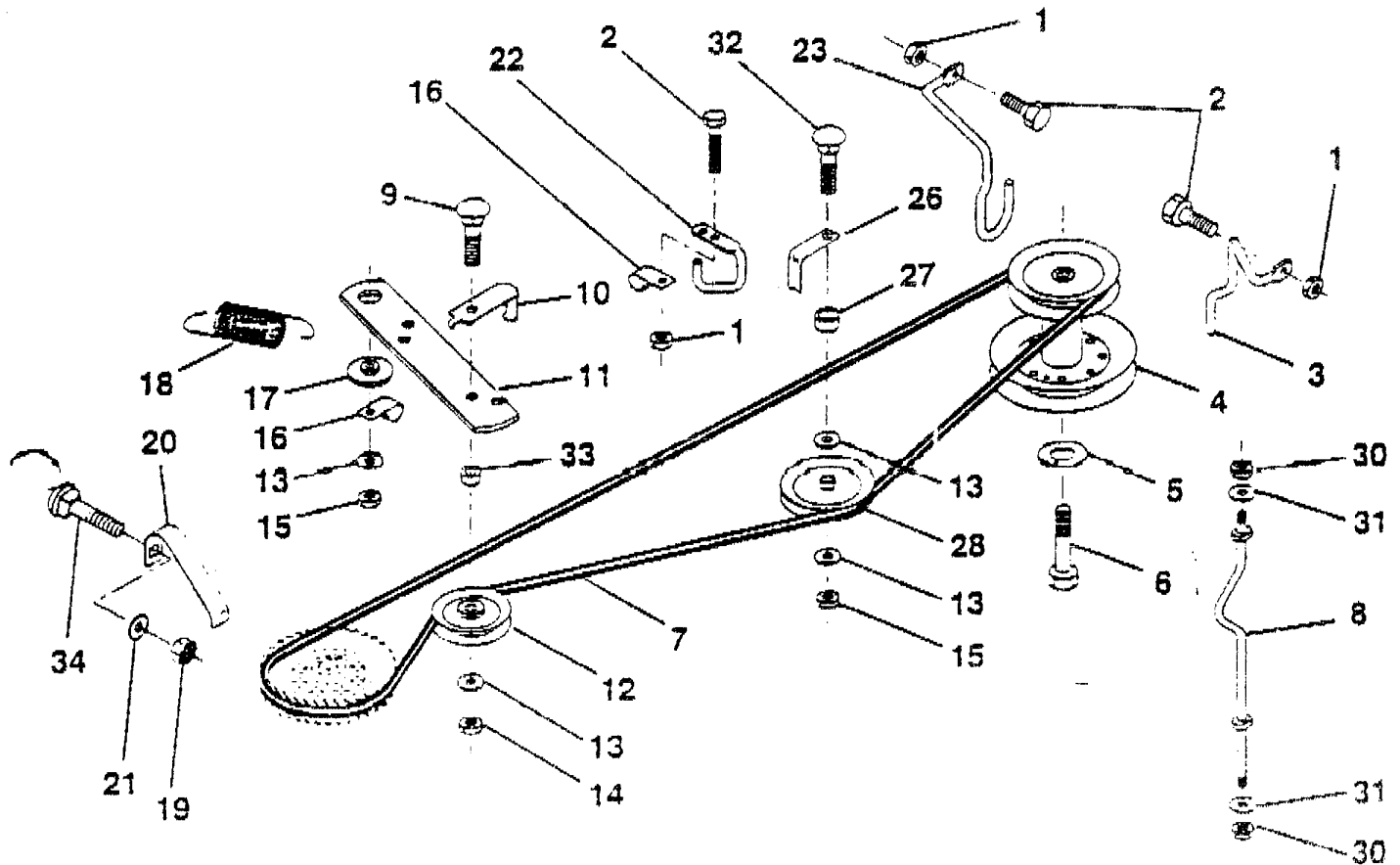
KEY NO.	PART NO.	DESCRIPTION	KEY NO.	PART NO.	DESCRIPTION
1	817060408	Screw, Hex Thd. Cut 1/4-20 x 1/2	10	810040400	Washer, Lock Heavy Helical Sp 1/4
2	532133025	Control, Throttle	11	874760412	Bolt, Hex 1/4 - 20 UNC x 3/4
3	-----	Engine, Briggs and Stratton Model No. 286707	12	532137437	Muffer
4	871070512	Screw, Hex, Cap 5/16-18 x 3/4	15	532137180	Arrester, Spark (Optional equipment)
5	810040500	Washer, Lock Heavy Helical Spring 5/16	17	817490624	Screw, Hex Wsh Hd Thrdol 3/8-16 x 1-1/2
6	532125593	Gasket, Exhaust	19	532127951	Stop, Throttle
8	532121094	Bolt, Shoulder 5/16	23	811050600	Washer Lock Ext Tooth 3/8
9	819101216	Washer 5/16 x 3/4 x 16			

HARDWARE SHOWN LARGER FOR EASIER IDENTIFICATION

REPAIR PARTS

12.5 HP 38" TRACTOR - - MODEL NUMBER BL12538THA

GROUND DRIVE



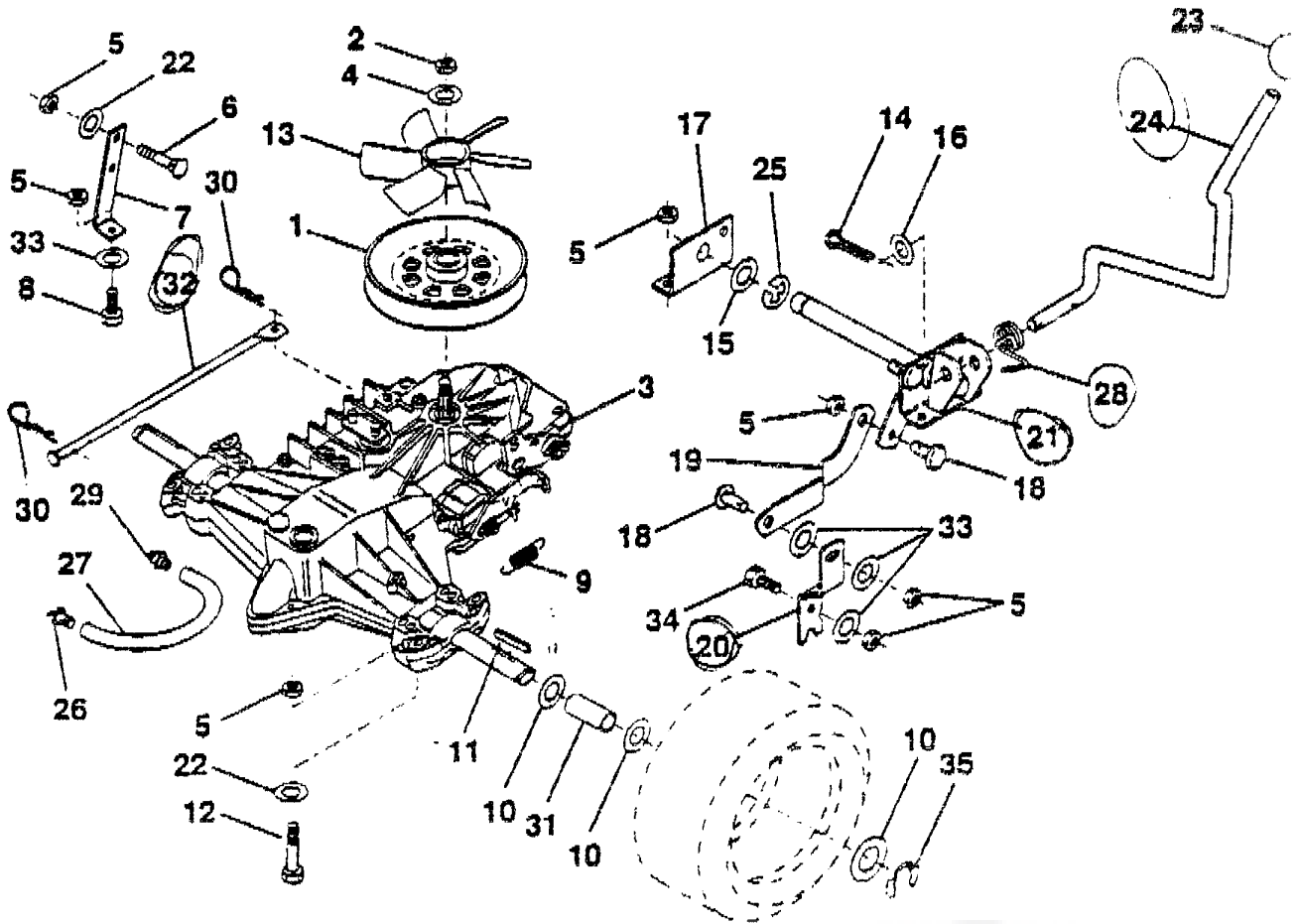
KEY NO.	PART NO.	DESCRIPTION	KEY NO.	PART NO.	DESCRIPTION
1	873800500	Nut Lock Hx w/Ins 5/16 - 18	17	532122052	Spacer Retainer P.M. Mower
2	874760512	Bolt Hex HD 5/16 - 18 UNC x 3/4	18	532131459	Spring Extension
3	532140917	Keeper Belt RH FRNT 38 HYD LR	19	873800500	Nut Lock Hx w/Ins 5/16 - 18 UN
4	532138029	Pulley Engine 36/38 LR	20	532140909	Belt Keeper LH Hydro LR
5	810040700	Washer Lock Hvy HLCL SPR 7/16	21	819111116	Washer 11/32 x 11/16 c 16 Ga
6	871170744	Belt Hex 7/16 - 20 Gr 5	22	532123404	Keeper Belt Frame GND DR 2 1/2"
7	532140910	V-Belt Ground Dr 77 75 HYD LR	23	532142240	Keeper Belt LH Front 38" T Patl
8	532140785	Belt Keeper RH Hydro LR	26	532140913	Keeper Belt Idler Fixed HYD LR
9	872140618	Bolt RDHD SQ 3/8 - 16 UNC x 2-1/4	27	532140914	Spacer .525 x .343 x .789
10	532140780	Keeper Belt GND DR Idler LR	28	532139123	Pulley Idler V Groove
11	532140911	Arm Idler Ground Dr. Clutch LR	30	873800500	Nut Lock Hx w/Ins 5/16 - 18 UN
12	532123674	Pulley Idler Flat	31	819111216	Washer 11/32 x 3/4 x 16 Ga.
13	819131316	Washer 13/32 x 13/16 x 16 Ga	32	872110620	Bolt RDHD SQNK 3/8 - 16 x 2-1
14	873930600	Nut Centerlock 3/8 - 16 UNC	33	532000160	Sleeve-Pivot
15	873800600	Nut Lock Hex w/wsh 3/8 - 16 Unc	34	872110506	Bolt RDHD SQNK 5/16 - 18 UNC x 3/4
16	532126472	Clip Insulated			

HARDWARE SHOWN LARGER FOR EASIER IDENTIFICATION

REPAIR PARTS

12.5 HP 38" TRACTOR -- MODEL NUMBER BL12538THA

TRANSAXLE



KEY NO.	PART NO.	DESCRIPTION	KEY NO.	PART NO.	DESCRIPTION
1	532140779	Pulley V-Groove Hydro LR	18	532140769	Pin Pivot Shift
2	532009204	Nut Loc 1/2 - 20 UNF x 3/4 x 7/16	19	532140767	Link Shift Hydro LR
3	532140607	Trans. Hydro Model #0310-0500	20	532140773	Lever Shift Transaxle LR
4	819171912	Washer 17/32 x 1-3/16 x 12 Ga.	21	532140764	Shaft Asm. Pivot LR
5	873800500	Nut Lock Hx w/Ins 5/16 - 18 UNC	22	819111116	Washer 11/32 x 11/16 x 16 Ga
6	872140508	Bolt RDHD SQNK 5/16 - 18 UNC x 3/4	23	532140845	Knob Deluxe 1/2 - 13 UNC BLK
7	532140774	Strap Torque PNT Hydro LR	24	532140785	Rod Shifter Hydro LR
8	874780524	Bolt Fin Hex 5/16 - 18 UNC x 1-1/2	25	532124953	Pin Roll 3/16 x 1"
9	532110422	Spring Return Brake	26	-----	Cap Vent Hose
10	532121749	Washer 25/32 x 1-1/4 x 16 Ga.	27	532142564	Line Fuel Hydro 4"
11	532123583	Key Square	28	532140772	Spring Torsion LR Hydro
12	874780540	Bolt Fin Hex 5/16 - 18 UNC x 2-1/2	29	-----	Nippler Vent Hose
13	532140778	Fan Hydro	30	532124788	Retainer Spring 1" Zinc/Cod
14	878020416	Pin Cotter 1/8 x 1. Cad	31	532121199	Spacer Split
15	819212010	Washer 21/32 x 1-1/4 x 10 Ga.	32	532140912	Actuator Bypass Hydro LR
16	819171216	Washer 17/32 x 3/4 x 16 Ga.	33	819111216	Washer 11/32 x 3/4 x 16 Ga.
17	532140763	Support Handle Shift LR	34	874780516	Bolt Hex Hd 5/16 - 18 UNC x 1"
			35	812000001	E-Ring

HARDWARE SHOWN LARGER FOR EASIER IDENTIFICATION

REPAIR PARTS

12.5 HP 38" TRACTOR - - MODEL NUMBER BL12538THA

MOWER DECK

KEY NO.	PART NO.	DESCRIPTION	KEY NO.	PART NO.	DESCRIPTION
1	532142830	Mower Deck Assembly	35	532132554	Clutch Rod, Secondary
2	873800500	Nut, Lock Hx w/ins. 5/16-18 UNC	36	819131316	Washer 13/32 x 13/16 x 16 Ga.
3	872140506	Bolt, Carriage 5/16-18 x 3/4	37	876020312	Pin, Cotter 3/32 x 3/4
4	532125074	Runner, L.H.	38	532133840	Idler Arm
5	532110485	Bearing	39	532129963	Washer .150 Thick
6	532128774	Housing, Mandrel	40	532129206	Pulley, Mandrel
7	532129895	Bearing	41	532137268	Nut, Flangelock 9/16
	532137645	Shaft and Bearing Assembly, Mandrel (Includes Key Number 7)	42	532131494	Pulley, Flat Idler
9	532134146	Blade, 38" Mulching	43	532122052	Spacer, Retainer
10	532140296	Washer, Hardened	44	819131612	Washer 13/32 x 1 x 12 Gauge
	810030600	Washer, Lock 3/8	45	873800600	Nut, Lock Hex w/wsh 3/8 - 16 UI
	532850857	Bolt, Hex 3/8-24 x 1-1/4 Grade 8	46	532131290	Bolt
13	532136929	Stripper, Mower, Vented	47	532133502	Spacer, Idler Arm
14	532106736	Shield, Deflector	48	532133503	Stiffener, Idler Arm
15	532106735	Rod, Hinge	49	532133551	Rod, Pivot
16	532137607	Bracket Assembly, Deflector	50	532131289	Rod, Brake, L.H.
17	532110452	Pushnut	51	532130840	Brake Assembly
18	532123713	Spring, Deflector	52	817490512	Screw, Hex Washer Head, Thd., Roll. 5/16-18 x 3/4
19	819111016	Washer 11/32 x 5/8 x 16 Gauge	53	532131288	Rod, Brake, R.H.
20	532105304	Cap, Sleeve	54	872110614	Bolt, Carriage 3/8-16 x 1-3/4 Grad
21	532128772	Runner, R.H.	55	532124961	Spring, Retainer
22	819111216	Washer 11/32 x 3/4 x 16 Gauge	56	532136782	Plate Adj. Link Rear LH
23	817580520	Bolt, Hex 5/16-18 x 1.25	57	872140608	Bolt Rhd Sqnk 3/8-16 Unc x 1
24	532124670	Retainer, Spring	58	819131212	Washer 13/32 x 3/4 x 12 Ga.
25	874600636	Bolt, Carriage 3/8-18 x 2-1/4	59	873800500	Locknut Hex w/ins. 5/16-18
26	819131612	Washer 13/32 x 1 x 12 Gauge	60	819111112	Washer 11/32 x 11/16 x 16 Ga.
27	532139756	Link Assembly, Front	62	532124660	Retainer Spring
28	872140608	Bolt RHD SQNK 3/8 -16 UNC x 1	63	532124788	Spring, Retainer
	532139757	Plate Slide Link	70	819162016	Washer 1/2 x 1-1/4 x 16 Ga.
	873800600	Nut Lock Hex w/wsh 3/8 - 16 UNC	71	819131610	Washer Flat 13/32 x 1 x 10 Ga.
31	532140915	Clutch Rod, Primary	72	532133943	Washer Hardened
32	873350600	Nut, Hex, Jam 3/8-16	--	532130794	Mandrel Assembly (Includes Key Numbers 5-8, 10-12, 39 and 41)
34	532133604	Trunnion 3/8-16	532142862		Mower Deck, Complete

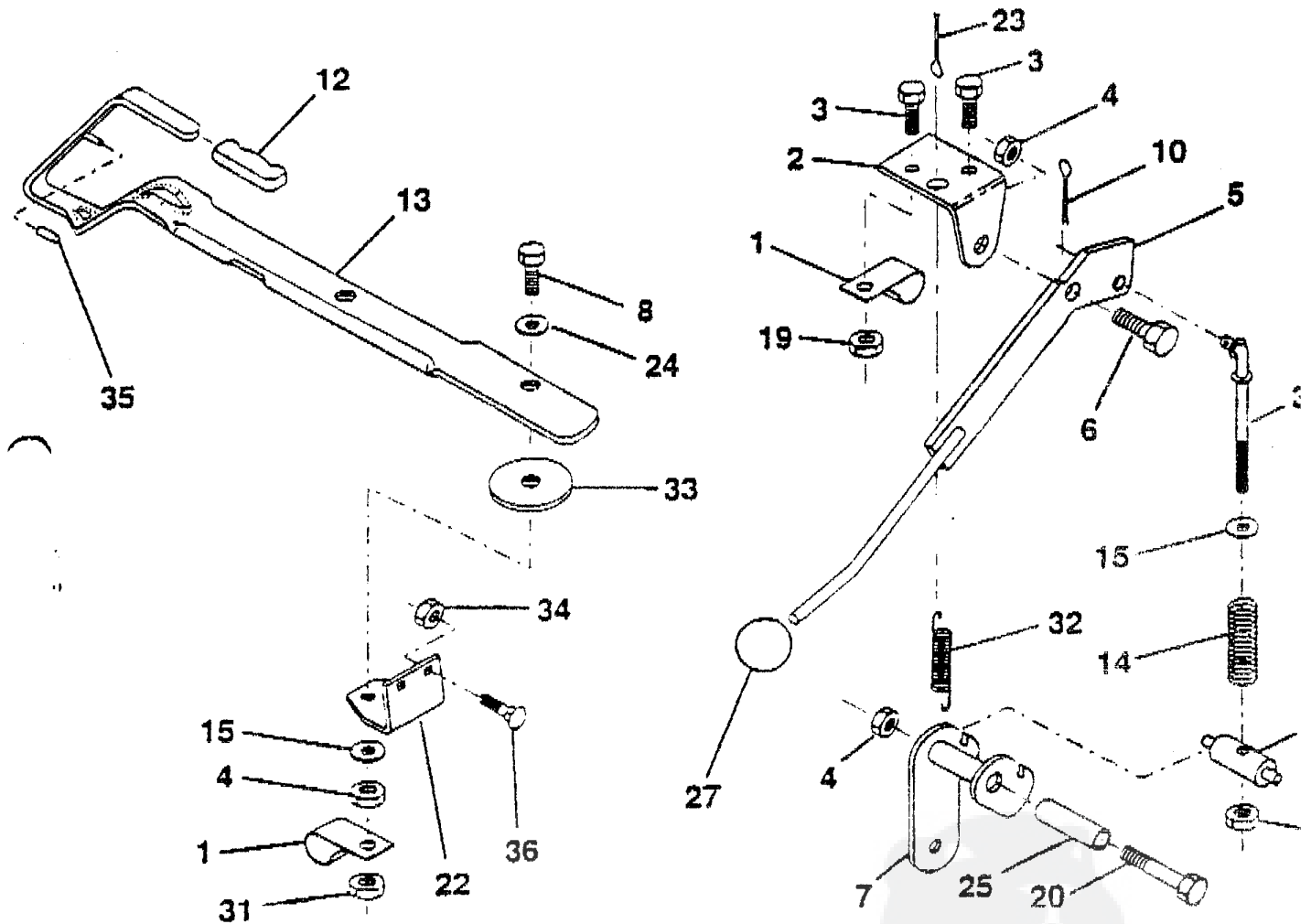
NOTE: All component dimensions given in U.S. inches
1 inch = 25.4 mm

HARDWARE SHOWN LARGER FOR EASIER IDENTIFICATION

REPAIR PARTS

12.5 HP 38" TRACTOR - - MODEL NUMBER BL12538THA

MOWER LIFT LEVER



KEY NO.	PART NO.	DESCRIPTION
1	532126470	Clip, Insulated
2	532122018	Bracket, Mower Clutch
3	874780408	Bolt, Hex Head, Fin. 1/4-20 UNC x 1/2 Grade 5
4	873800600	Nut, Lock Hex w/wsh 3/8-16 UNC
5	532132552	Assembly, Clutch Lever
6	532106451	Bolt, Shoulder
7	532141435	Assembly, Mower Clutch Arm
8	874930624	Bolt, Hex Head 3/8-16 UNC x 1-1/2
10	876020412	Pin, Cotter 1/8 x 3/4
12	532122027	Handle, Lift Lever
13	532136658	Assembly, Lift Handle
14	532133939	Spring, Compression
15	819131616	Washer 13/32 x 1 x 11 Gauge
18	532135107	Trunnion, Threaded 3/8-16

KEY NO.	PART NO.	DESCRIPTION
19	873680400	Nut, Crownlock 1/4-20
20	874760644	Bolt, Hex Head, Fin. 3/8-16 UNC x 2-3/4
22	532132551	Bracket, Lift Lever
23	876020312	Pin, Cotter 3/32 x 3/4
24	532007672	Washer 25/64 x 1-1/4 x 12 Gaug
25	532121933	Tube, Spacer
27	532121466	Knob
30	532135039	Rod, Tension, Clutch
31	873930600	Nut, Centerlock
32	532133435	Spring, Extension, Return
33	532062333	Washer
34	873800500	Nut, Lock Hx w/ins
35	532133603	Cap, Vinyl, Red
36	872140508	Bolt, Carriage 5/16-18 x 3/4

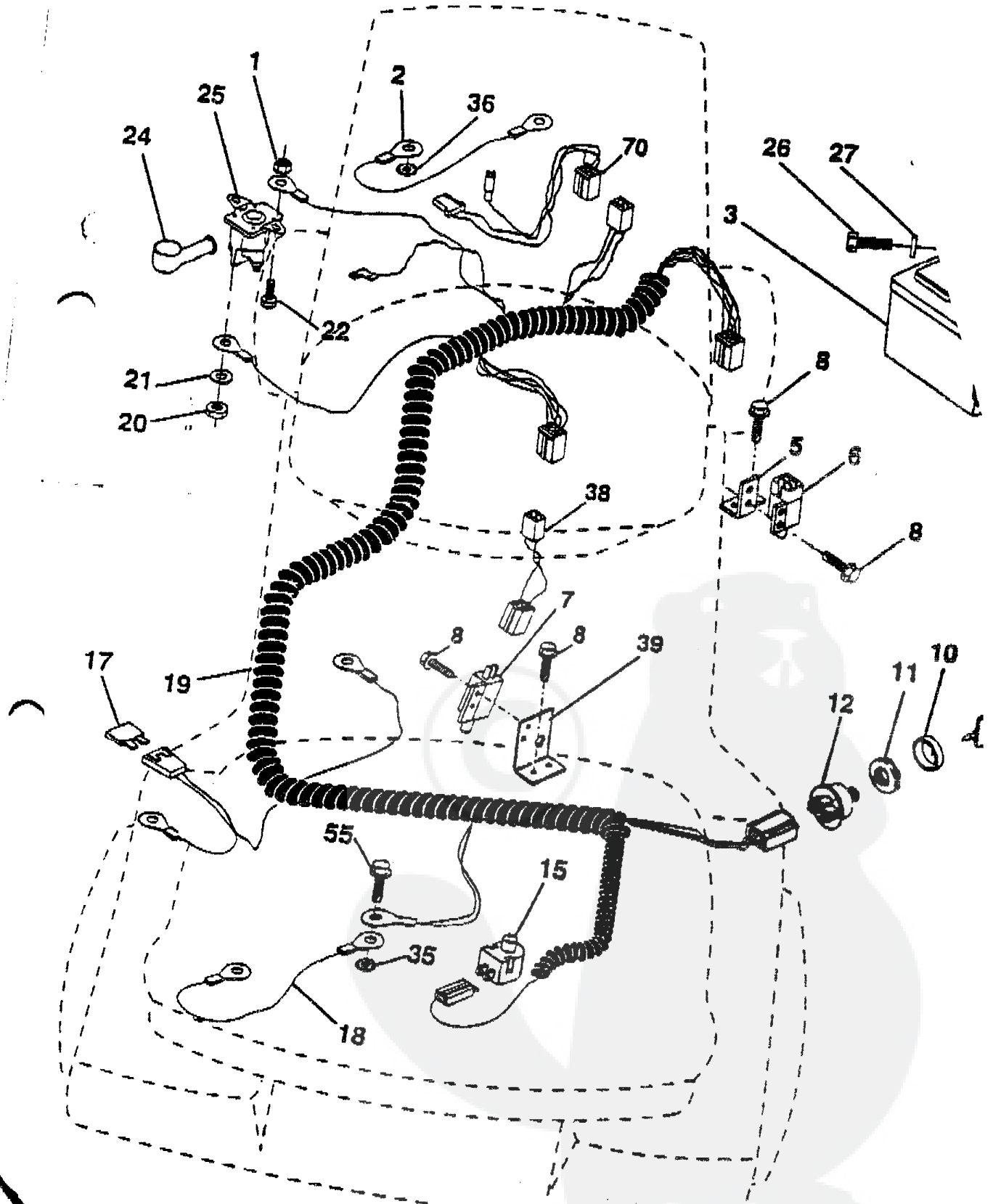
NOTE: All component dimensions given in U.S. inches
1 inch = 25.4 mm

HARDWARE SHOWN LARGER FOR EASIER IDENTIFICATION

REPAIR PARTS

12.5 HP 38" TRACTOR -- MODEL NUMBER B

ELECTRICAL



REPAIR PARTS

12.5 HP 38" TRACTOR - - MODEL NUMBER BL12538THA

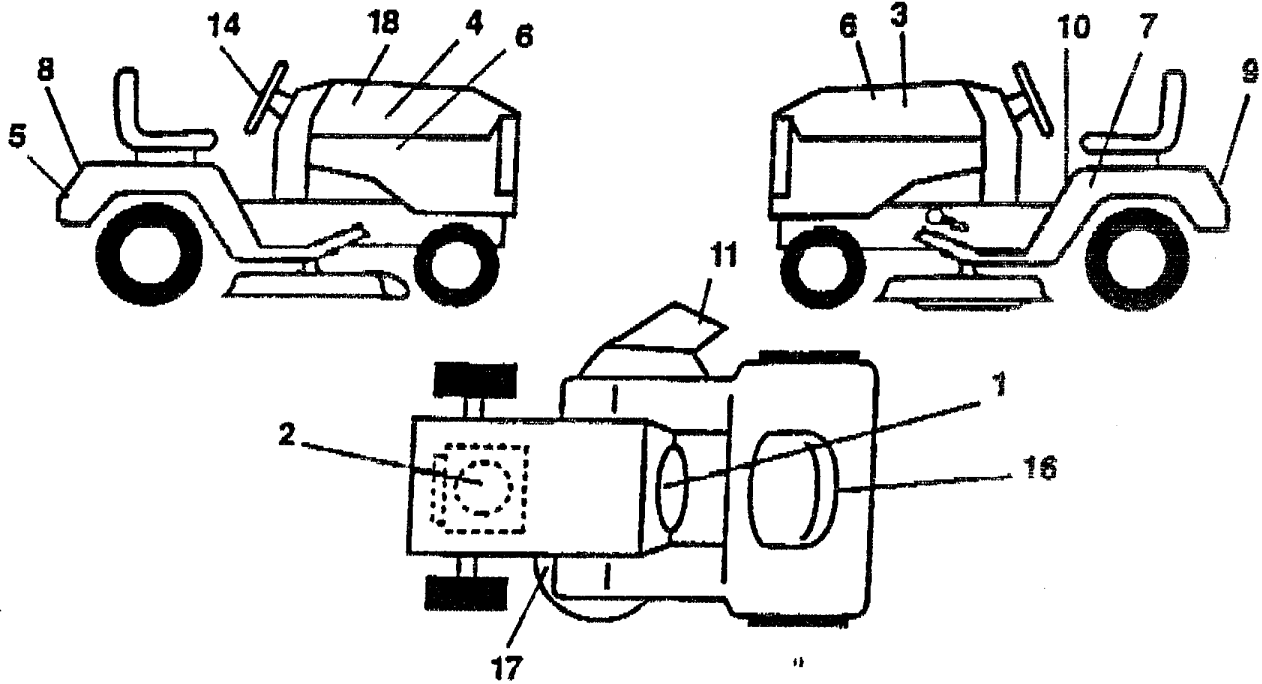
ELECTRICAL

KEY NO.	PART NO.	DESCRIPTION
1	873510400	Nut, Hex Keps 1/4-20
2	532108423	Assembly, Cable
3	532133909	Battery
5	532108236	Bracket, Switch
6	532109553	Switch, Interlock (4 Terminal)
7	532104445	Switch, Interlock (2 Terminal)
8	817021008	Screw, Tap Hex Hd.
9	532140401	Key, Molded
10	532141226	Cover, Key Ignition
11	532140400	Nut, Ignition
12	532140399	Switch, Ignition
15	532121305	Switch, Plunger
17	532108824	Fuse
18	532128353	Assembly, Cable
19	532143131	Harness, Ignition
20	873350400	Nut, Hex Jam 1/4-20
21	810090400	Washer, Lock 1/4
22	874780408	Bolt, Fin Hex 1/4-20 UNC x 1/2 Gr. 5
24	532131563	Cover, Terminal
25	532138406	Solenoid
26	874760412	Bolt, Hex Hd. 1/4-20 UNC x 3/4
27	819091016	Washer 9/32 x 5/8 x 16
28	810040400	Washer, Lock 1/4
29	532121264	Cap, Battery
30	873220400	Nut, Fin Hex 1/4-20 UNC
35	811050500	Washer Lock Ext. Tooth 5/16
36	811150400	Washer Lock Int. Tooth 1/4
39	532141735	Bracket Switch Clutch
55	817490508	Screw Thdrol 5/16 - 18 x 1/2
70	532140413	Harness Eng.

HARDWARE SHOWN LARGER FOR EASIER IDENTIFICATION

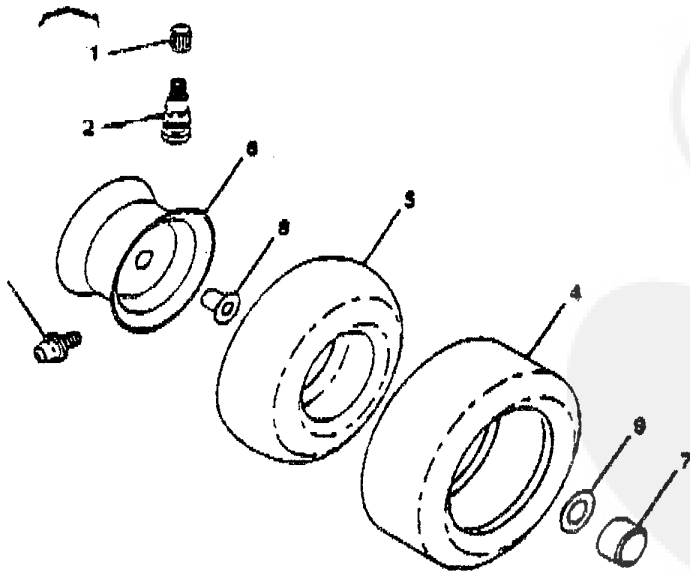
12.5 HP 38" TRACTOR -- MODEL NUMBER BLT2538THA

DECALS



KEY NO.	PART NO.	DESCRIPTION	KEY NO.	PART NO.	DESCRIPTION
1	532138269	Decal, Operating	8	532125819	Decal, Fender
2	532129057	Decal, Engine	9	532125690	Decal, 100 DBA
3	532125816	Decal, Hood Stripe L.H.	10	532133795	Decal, Caution
4	532125817	Decal, Hood Stripe R.H.	11	532137259	Decal, Warning, Deflector
5	532141484	Decal, Drawbar CNTRL	14	532125835	Decal, Steering Wheel Insert
6	532141094	Decal Side Panel	16	532121549	Decal, Caution Battery
7	532135073	Height Indicator	17	532138832	Decal, V-Belt Sch.
			18	532141007	Decal, Conformance
			--	532141704	Manual, Operator's

HEELS & TIRE



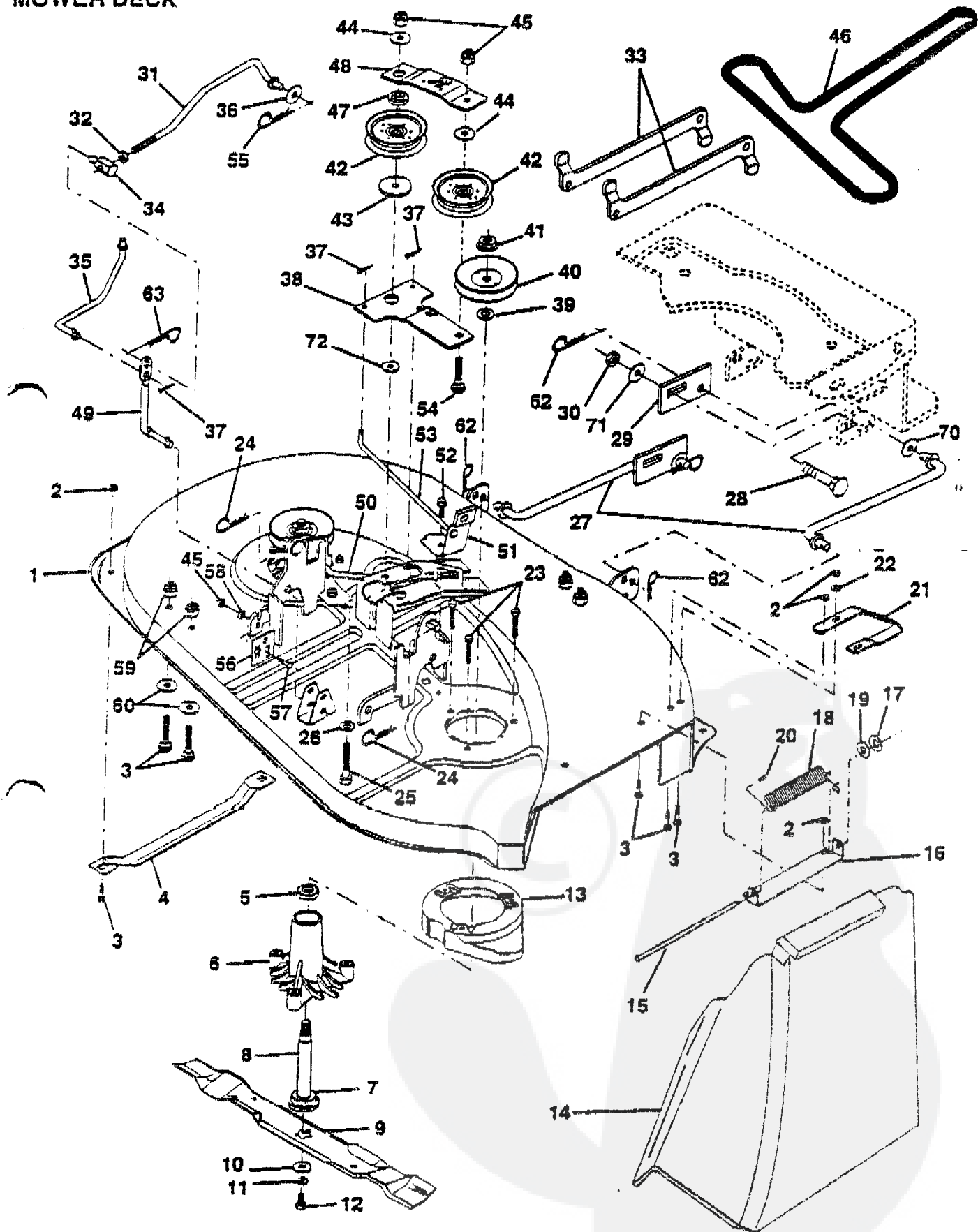
KEY NO.	PART NO.	DESCRIPTION
1	532059192	Cap, Valve
2	532065139	Stem, Valve
3	532124957	Fitting, Grease
4	532132703	Tire, Rear
	532137422	Tire, Front
5	532008134	Tube, Rear (Opt. Serv. Items Only)
	532059904	Tube, Front (Opt. Serv. Items Only)
6	532141472	Rim, Front
	532141268	Rim, Rear
7	532104757	Cap, Axle
8	532124959	Bearing, Flange (Front Wheels Only)
9	532121748	Washer

HARDWARE SHOWN LARGER FOR EASIER IDENTIFICATION

REPAIR PARTS

12.5 HP 38" TRACTOR -- MODEL NUMBER BL12538THA

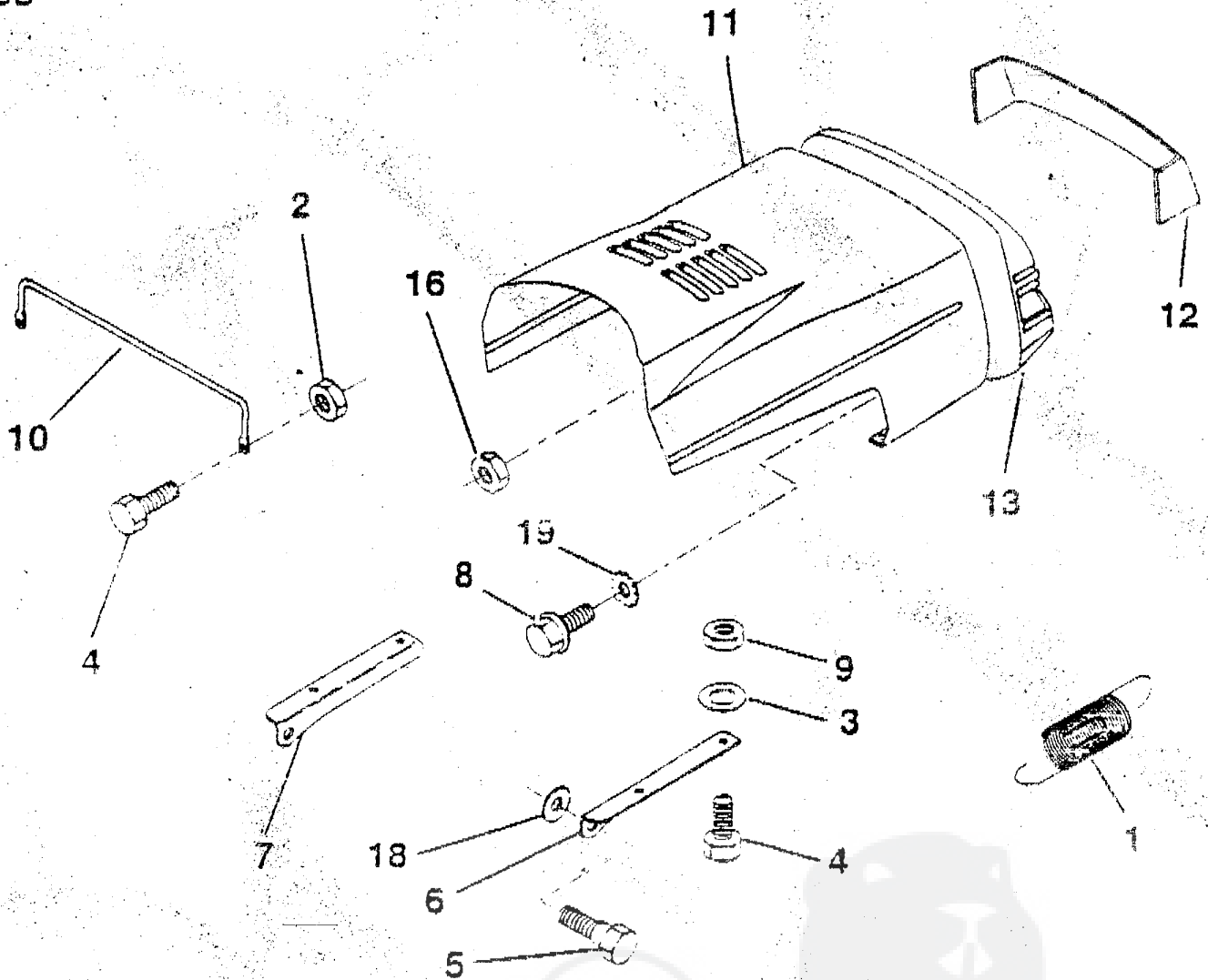
MOWER DECK



REPAIR PARTS

12.5 HP 38" TRACTOR - - MODEL NUMBER BL12538THA

HOOD



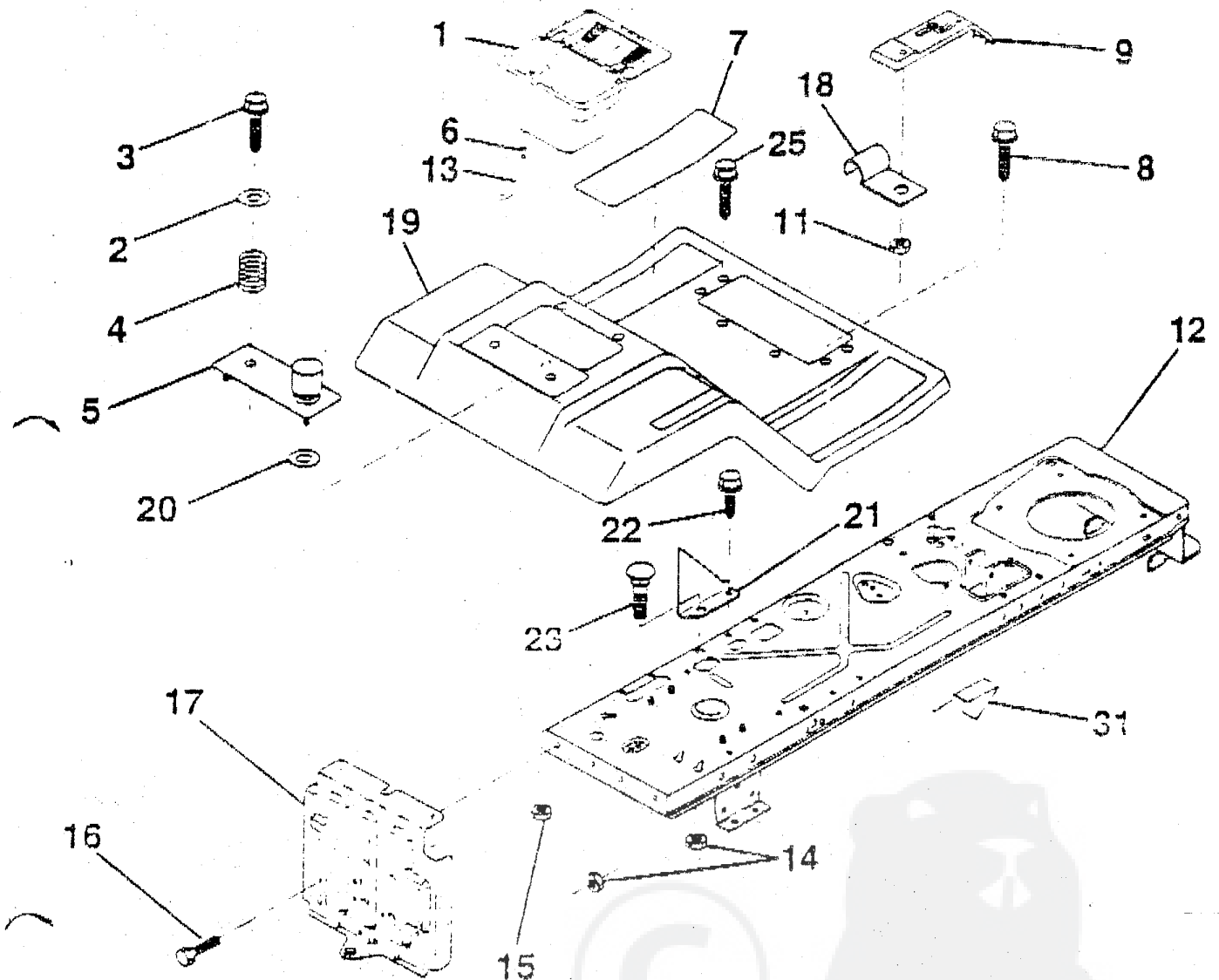
KEY NO.	PART NO.	DESCRIPTION	KEY NO.	PART NO.	DESCRIPTION
1	532124657	Extension, Spring	10	532123693	Brace, Hood
2	873510400	Nut, Hex, Keys 1/4-20	11	532125386	Hood
3	819091416	Washer 9/32 x 7/8 x 16 Ga.	12	532140126	Lens, Plate, Grill
4	874730412	Bot, Hex Fin. 1/4-20 x 3/4 Gr. 5	13	532140110	Grill
5	532126675	Bot, Shoulder	16	532124348	Nut, Self Thd.
6	532122549	Bracket, Hood R. H.	18	819111116	Washer 11/32 x 11/16 x 16 Ga.
7	532122548	Bracket, Hood L.H.	19	811030400	Washer Lock 1/4 Int/Ext Tooth
8	817521312	Screw, Sltd Hx Hd w/Pl Washer			
9	873800400	Nut, Lock w/inset 1/4-20 Unc			

HARDWARE SHOWN LARGER FOR EASIER IDENTIFICATION

REPAIR PARTS

12.5 HP 38" TRACTOR -- MODEL NUMBER BL12538THA

FENDER / CHASSIS



KEY NO.	PART NO.	DESCRIPTION	KEY NO.	PART NO.	DESCRIPTION
1	532129965	Case, Battery	13	532109238	Tube, Battery Drain
2	819132012	Washer 13/32 x 1-1/4 x 12 Gauge	14	873880500	Nut, Crownlock 5/16-18
3	817490512	Screw, Hex Wsh. Thrdol. 3/8-16 x 3/4	15	873510400	Nut, Keps 1/4-20 UNC
4	532124181	Spring, Compression, Seat	16	874760512	Boit, Hex Hd. 5/16-18 UNC x 3/4
5	532125139	Plate, Asm. Battery	17	532140782	Drawbar
6	532109596	Clamp, Hose	18	532126470	Clip, Insulated
7	532124144	Pad, Footrest	19	532141471	Fender/Footrest
8	817490512	Screw, Hex Wsh. Thrdol. 5/16-18 x 3/4	20	819091413	Washer 9/32 x 7/8 x 13 Ga.
9	532140919	Console, Shift Control	21	532132562	Plate Stop Depth
11	532124348	Nut, Self-Threading, Washer Head 3/16	22	317490508	Screw Thrdol 5/16-18 x 1/2
12	532140784	Assembly, Frame	23	872110506	Boit Rdhd Sank 5/16-18 x 3/4
			25	317490516	Screw Hx Wsh Thrdol 5/16-18x1
			31	532141736	Switch Actuator

HARDWARE SHOWN LARGER FOR EASIER IDENTIFICATION