
OWNER'S MANUAL

12. H.P. 36" RIDING
LAWN TRACTOR
MODEL NUMBER L1930AF AND L1930AE



LAWN AND GARDEN
OUTDOOR POWER EQUIPMENT

Rally

CONGRATULATIONS on your purchase of a Riding Lawn Mower. It has been designed, engineered and manufactured to give you dependability and performance. Should you experience any problem you cannot easily remedy, please contact your nearest authorized service dealer. He has well-trained technicians and the proper tools and parts to service or repair this unit.

Please read and retain this manual. Following the "Rules For Safe Operation", "Assembly", "Operation", and "Maintenance" instructions will help you achieve a long, safe, service life for your Riding Lawn Mower.

LIMITED WARRANTY

Roper Corporation warrants to the original consumer purchaser that this product is free from defects in materials and workmanship. For a period of one (1) year from date of purchase, we will repair or replace, at our option, without charge, any part except for the engine which we find to be defective due to materials or workmanship. This warranty is subject to the following limitations:

1. **Engine Warranty:** All engine powered Roper products have a separate Warranty extended by the individual Engine Manufacturer. Said warranty must be referred to in the event of a problem (pages 37 & 38).
2. **Transaxle/Transmission Warranty:** Some Roper products have a separate Warranty extended by the individual Transaxle/Transmission manufacturer. On Roper products where a separate Warranty has been extended on the Transaxle/Transmission, said Warranty must be referred to in the event of a problem (back cover).
3. **Battery Warranty:** On products equipped with a battery, Roper will replace, without charge to you, any battery which we find to be defective during your first ninety (90) days of ownership. After ninety (90) days, we will exchange the battery charging you 1/12 of the price for a new battery for each full month from the date of the original sale.
4. The warranty period for any products used for rental or commercial purposes is limited to 45 days from the date of original purchase.
5. This warranty applies only to products which have been properly assembled, adjusted and operated in accordance with instructions found in the Product Literature for your product. This warranty does not apply to any product which has been subjected to alteration, misuse, abuse, improper assembly or installation, delivery damage, or to normal wear of the product.
6. **Exclusions:** Excluded from this warranty are belts, blades, blade adapters, normal wear, normal adjustments, standard hardware, and normal maintenance.
7. In the event you have a claim (other than an engine claim) under this warranty, you must return the product to an authorized Roper Outdoor Power Products service dealer.

Should you have any unanswered questions concerning this warranty, please contact:

In U.S.A. contact:
 Roper Outdoor Power Equipment
 Service Department
 12052 Middleground Road
 Savannah, Georgia 31419

In Canada contact:
 Roper Canada Limited
 1040 Jayson Court
 Mississauga, Ontario L4W 2V5

For locations outside
 the U.S.A. or Canada:
 See the back cover of
 this Book

giving the model number, serial number and date of purchase of your product and the name and address of the authorized Roper dealer from whom it was purchased.

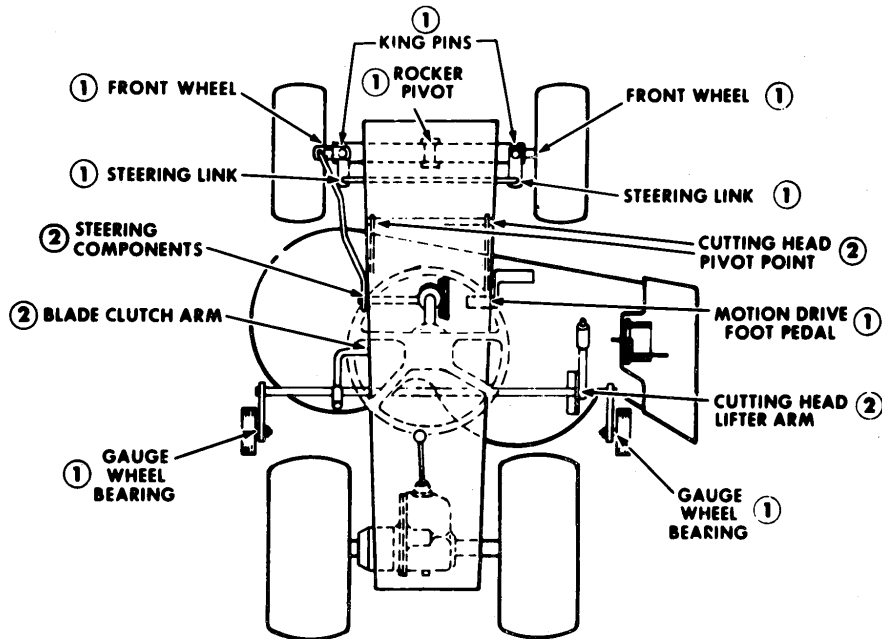
This warranty does not apply to incidental or consequential damages and any IMPLIED WARRANTIES ARE LIMITED TO THE SAME TIME PERIODS STATED HEREIN FOR ROPER'S EXPRESSED WARRANTIES. Some states do not allow the limitation of consequential damages or limitations of how long an implied warranty may last, so the above limitations or exclusions may not apply to you. This warranty gives you specific legal rights, and you may have other rights which vary from state to state.

This is a LIMITED WARRANTY within the meaning of that term as defined in the Magnuson-Moss Act of 1975.

TABLE OF CONTENTS

RULES FOR SAFE OPERATION	1	TROUBLE SHOOTING	10
ASSEMBLY	2	SCHEMATIC DIAGRAM	15
OPERATION	5	REPAIR PARTS	16
MAINTENANCE	7		

LUBRICATION CHART



- ① SAE 30 MOTOR OIL - EVERY 5 TO 10 HOURS
- ② CHASSIS GREASE - EVERY 10 HOURS
- ③ THROTTLE CABLE (WD-40 OR EQUIVALENT)

STORAGE

1. ENGINE OIL

Drain (with engine warm) and replace with clean engine oil. Refer to page 7.

2. FUEL SYSTEM

IT IS IMPORTANT TO PREVENT GUM DEPOSITS FROM FORMING IN ESSENTIAL FUEL SYSTEM PARTS SUCH AS THE CARBURETOR, FUEL FILTER, FUEL HOSE, OR TANK DURING STORAGE. ALSO, EXPERIENCE INDICATES THAT ALCOHOL BLENDED FUELS (CALLED GASOHOL OR USING ETHANOL OR METHANOL) CAN ATTRACT MOISTURE WHICH LEADS TO SEPARATION AND FORMATION OF ACIDS DURING STORAGE. ACIDIC GAS CAN DAMAGE THE FUEL SYSTEM OF AN ENGINE WHILE IN STORAGE TO AVOID ENGINE PROBLEMS, THE FUEL SYSTEM SHOULD BE EMPTIED BEFORE STORAGE FOR 30 DAYS OR LONGER.

- a. Drain fuel tank and carburetor by allowing the engine to run out of gasoline.
- b. Dispose of gasoline if not to be used. NOTE: GASOLINE STORED FOR SEVERAL MONTHS LOSES ITS VOLATILITY (ABILITY TO BURN EFFECTIVELY).

3. CYLINDER(S)

- a. Remove Spark Plug(s).
- b. Pour one ounce of oil through spark plug hole(s) into cylinder(s).
- c. Turn ignition key to "START" position for a few seconds to distribute oil.
- d. Replace spark plug(s).

4. BATTERY

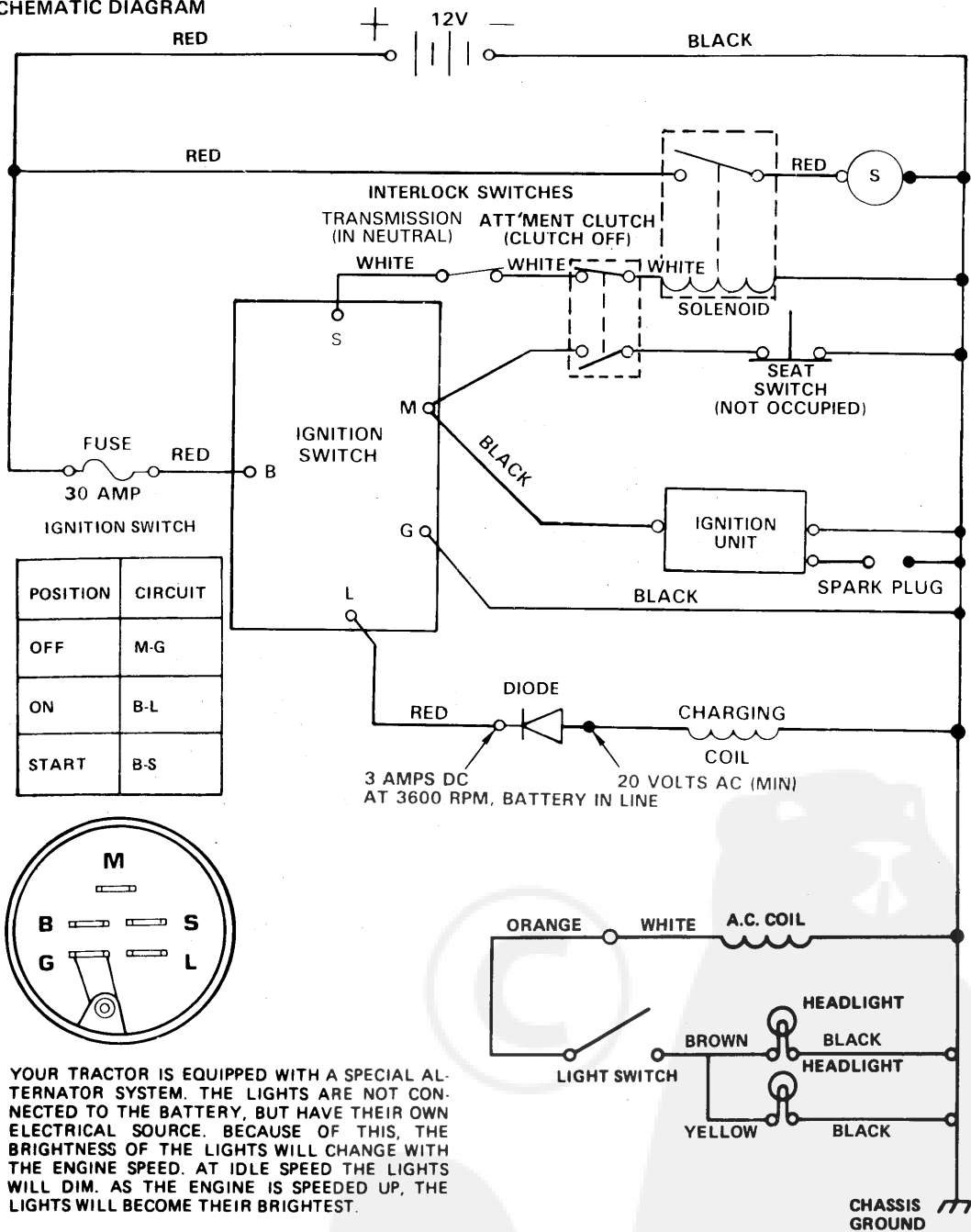
- a. Remove battery if tractor is not used regularly during winter months. Store in cool, dry place (above 50° F). NOTE: DO NOT STORE BATTERY DIRECTLY ON CEMENT SURFACE.
- b. Charge each month if necessary. NOTE: BATTERIES NOT IN USE FOR SEVERAL MONTHS AND NOT KEPT FULLY CHARGED PRODUCE SULPHUR DEPOSITS ON PLATES WHICH CANNOT BE REMOVED BY RECHARGING.

5. GENERAL CLEANING

Clean engine, battery finish, etc. of all foreign matter.

36" RIDING LAWN TRACTOR -- MODEL NUMBER L1930AF AND L1930AE

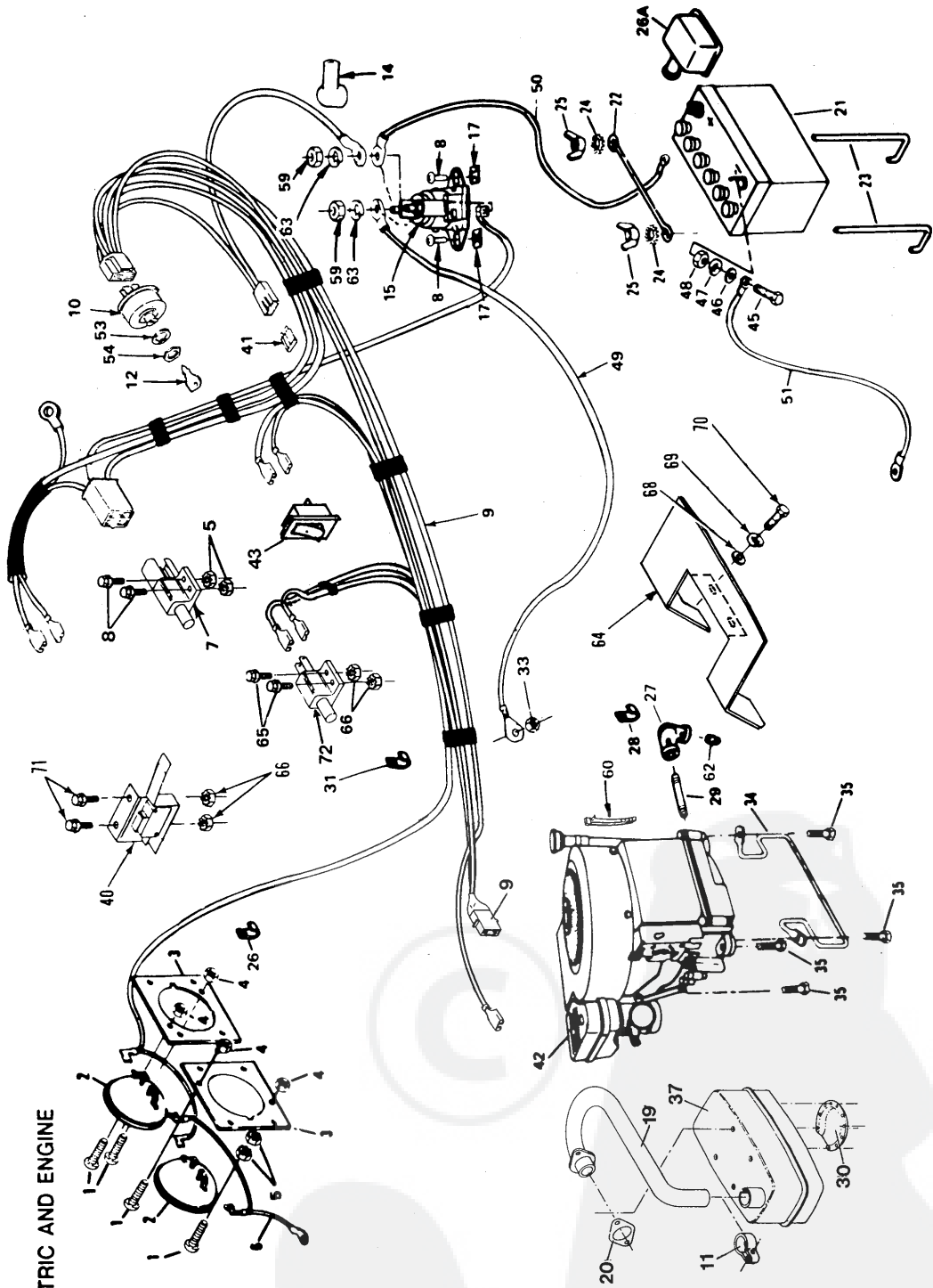
SCHEMATIC DIAGRAM



REPAIR PARTS

36" RIDING LAWN TRACTOR -- MODEL NUMBER L1930AF AND L1930AE

ELECTRIC AND ENGINE



REPAIR PARTS

36" RIDING LAWN TRACTOR -- MODEL NUMBER L1930AF AND L1930AE

ELECTRIC & ENGINE

KEY NO.	PART NO.	DESCRIPTION	KEY NO.	PART NO.	DESCRIPTION
1	74291016	* Screw-Machine Phillips Truss Head No. 10-24 x 1	37	120592X	Muffler
2	6452R	Headlight	40	121064X	Switch, Seat
3	73025	Headlight Support	41	106824X	Fuse-30 Amp
4	4632H	Locknut No. 10-24	42	281707	Engine- Briggs and Stratton 12 H.P., Type No. 0133-01 (See pages 28 thru 33)
5	73731000	Nut-Keys No. 10-24	43	110712X	Light Switch
6	71706	Wire Assembly	45	74760412	* Hex Bolt 1/4-20 x 3/4
7	109553X	Switch-Interlock	46	19091016	* Washer 9/32 x 5/8 x 16 Ga.
8	74191008	* Screw-Machine Phillips Pan Head No. 10-24 x 1/2	47	10040400	* Lockwasher 1/4 heavy
9	120298X	Wire Harness-Ignition	49	73220400	* Hex Nut 1/4-20
10	4406R	Ignition Switch (Inc. Key No. 12)	50	2857J	Cable Assembly (Solenoid to Starter)
11	120663X	Clamp	51	4559J	Cable Assembly (Battery to Ground)
12	7552H	Key Set	53	11151000	Lockwasher, Int. Tooth 5/8
14	719J	Terminal Cover	54	3258J	Nut- Flat
15	109081X	Solenoid	58	73350400	* Nut- Hex Jam 1/4-20
17	98000134	Nut, Speed No. 10-24	60	7192J	Tie- Cable
18	71070510	Cap Screw Hex Hd. 5/16-18 x 5/8	62	9108A	Plug, Oil Drain
19	120655X	Tube Inlet	63	10090400	Washer- Lock 1/4
20	1407J	Gasket	64	109730X	Shield- Heat
21	9272R	Battery Pack	65	71031008	Screw, Hex Washer Hd. 10-32 x 1/2
22	67187	Battery Rod	68	73951000	Nut- Keys # 10-32
23	70456	Battery Bolt	68	19101216	Washer
24	11030400	Lockwasher- Int. / Ext. 1/4	69	10040400	Lockwasher
25	73490400	* Wing Nut 1/4-20	70	74780416	Bolt 1/4-20 x 1
26	2521R	Insulated Clip	71	74641008	Screw Pan Hd. 10-32 x 1/2 UNF
26A	225J	Battery Terminal Cover	72	104445X	Switch-Interior
27	13200300	Std. Elbow 90 3/9 -18 NPT	---	120574X	Owners Manual
28	5320R	Insulated Clip	---	101539X	Sheet- Instruction, Tractor 15° Slope
29	13280328	Pipe Nipple			
30	101326X	Deflector			
31	6794R	Insulated Clip			
33	53490	Locknut 1/4-20			
34	1795J	Belt Keeper			
35	17490624	Screw, Hex Hd. Thd. Rolling 3/8-16x1-1/2			

* STANDARD HARDWARE --PURCHASE LOCALLY

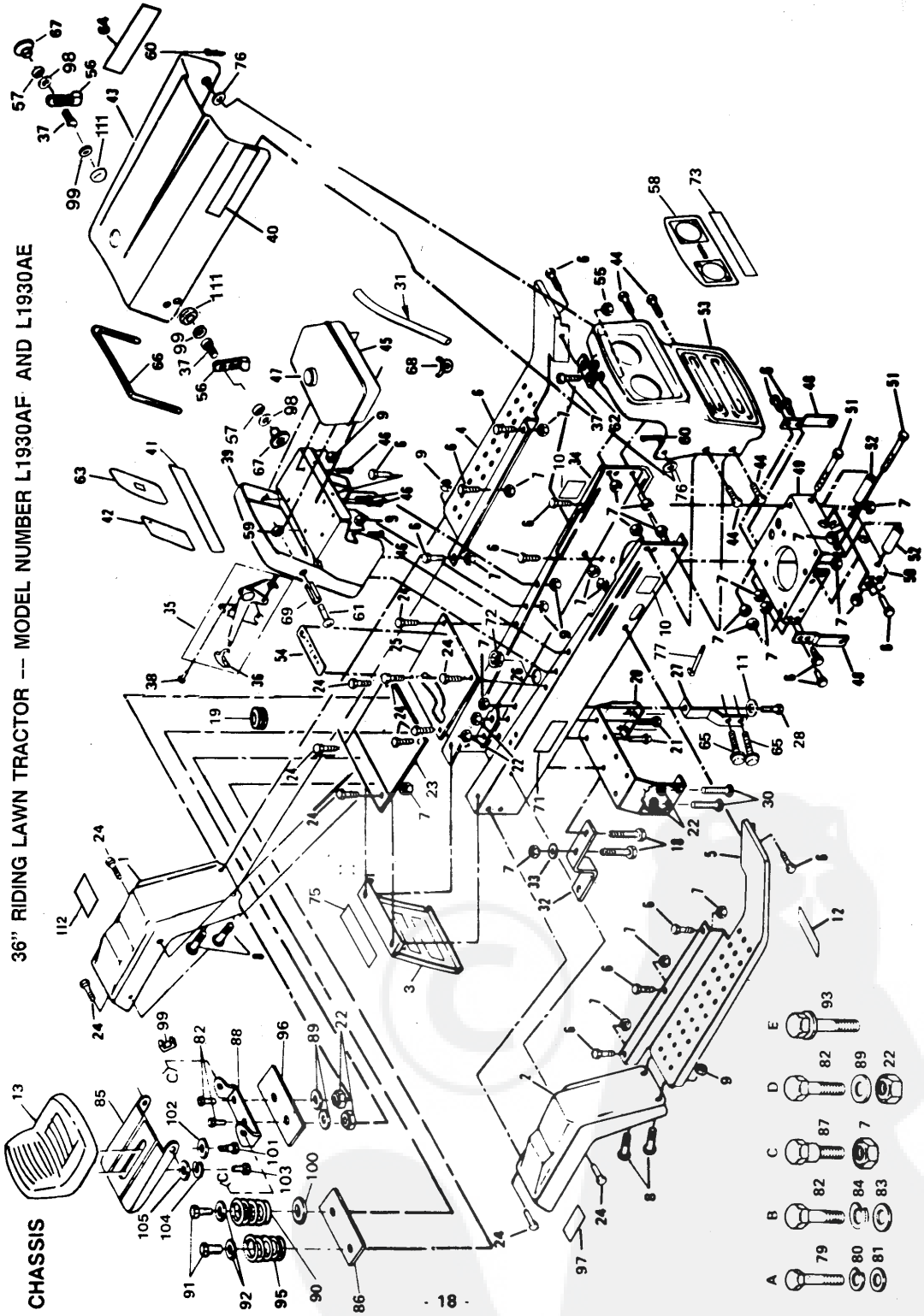
OPTIONAL EQUIPMENT
Spark Arrestor Muffler 677A822

NOTE: All component dimensions given in U.S. inches - 1 inch =25.4 mm

REPAIR PARTS

CHASSIS

36" RIDING LAWN TRACTOR -- MODEL NUMBER L1930AF AND L1930AE



REPAIR PARTS

36" RIDING LAWN TRACTOR -- MODEL NUMBER L1930AF AND L1930AE

KEY NO.	PART NO.	DESCRIPTION	KEY NO.	PART NO.	DESCRIPTION
1	388J366	Fender- L.H.	55	4632H	Locknut 10-24
2	389J366	Fender- R.H.	56	109808X	Hood Latch
3	120019X	Rear Cover	57	10071000	Lockwasher No. 10
4	1539J	Foot Rest, L.H.	58	109324X	Decal- Headlight
5	1540J	Foot Rest, R.H.	59	73731000	Nut, Keps No. 10-24
6	74760512	• Bolt, Hex 5/16-18 Gr. B	60	76020312	Cotter Pin
7	73680500	Locknut- Gripco 5/16-18 x 3/4	61	74981020	Screw- Cross Recess, Pan Hd. Machine No. 10-24 x 1-1/4
8	74760508	Bolt, Hex 5/16-18 x 12			No. 10-24 x 1-1/4
9	73680500	Locknut- 5/16-18			Hood Bumper
10	109472X	Decal- H.P. and Speed	62	470J	Decal- Dash, L.H.
11	19112410	Washer 11/32 x 1-1/2 x 10 Ga.	63	120357X	Decal- Hood, L.H.
12	1133J	Decal- Clutch and Brake (L1930AF only)	64	109321X	Decal- Hood, L.H.
12	120784X	Decal- Clutch and Brake (L1930AE only)	65	17490512	Screw, Hex Washer Hd. Thd. Forming Type TT 5/16-18 x 3/4
12	376J	Decal- Clutch and Brake			Type TT 5/16-18 x 3/4
13	110839X	Seat	66	8937R	Hood Strip
18	74785020	• Bolt, Hex 5/16-18 x 1-1/4 Gr. 5	67	2023J	Weidnut
19	109641X	Grommet	68	699R	Hose Clamp
20	5929J	Transaxle Support	69	7206J	Spacer- Split
21	74760616	• Bolt, Hex 3/8-16 x 1	71	7827J	Decal- Brake, Parking (L1930AF only)
22	73680600	Locknut- Gripco 3/8-16	71	120910X	Parking Brake Decal (L1930AE only)
23	120728X	Cover Plate	72	3807R	Bushing- Universal
24	17490508	Screw- Hex Hd. Thd. Rolling 5/16-18 x 1/2	73	104290X	Decal- Grill Stripe
25	120435X012	Chassis Cover w/Silk screen	75	109323X	Decal- logo
26	5930J	Plate- Stiffener	76	19111216	• Washer 11/32 x 3/4 x 16 Ga.
27	120821X	• Axle Strap	77	7192J	Cable-Tie
28	74760516	• Bolt, Hex 5/16-18 x 1	79	74760412	• Bolt, Hex 1/4-20 3/4
30	74760644	• Bolt, Hex 3/8-16 x 2- 3/4	80	10040400	Lockwasher 1/4
31	7119J	Fuel Line	81	19091116	Washer 9/32 x 11/16 x 16 Ga.
32	71205	Toe Hitch	82	74780612	• Bolt, Hex 3/8-16 x 3/4
33	19122006	Washer 3/8 x 1- 1/4 x 6 Ga.	83	19131212	Washer 13/32 x 3/4 x 12 Ga.
34	109742X	Chassis Control (Inc. Key No. 36)	84	10031600	Washer, Lock 3/8
35	120896X	Knob- Control	85	1210690	Pan-Seat
36	61159	• Screw, Pan Hd. Machine No. 10-24 x 1/2	86	109472X	Plate-Seat, Reinforcement
37	74191008	Screw, Hex Washer Hd. Thd. Cutting 1/4-20 x 1/2 Type 23	87	105229X	Bracket-Pivot, Seat
38	17720408	Screw, Hex Washer Hd. Thd. Cutting 1/4-20 x 1/2 Type 23	88	105513X	Washer 13/32 x 3/4 x 10 Ga.
39	120016X	Dash Weldment	89	19131210	Spring-Compression, L.H.
40	109322X	Decal- Hood, R.H.	90	121068X	Bolt-Screw Hex Washer Thd. Rolling 3/8-16 x 1
41	120909X	Decal - Dash Instruction (L1930AF only)	91	17490612	Washer 13/32 x 1 x 14 Ga.
41	1136J	Decal - Dash Instruction (L1930AE only)	92	19131614	Screw-Hex Washer Thd. Rolling 3/8-16 x 1
42	1135J	Decal - Dash Controls (L1930AF only)	93	17490616	Spring-Compression, R.H.
43	104355X366	Hood Weldment	95	121067X	Spacer-Pivot
44	98000131	Screw, Hex Washer Hd. Mach. 5/16-18 x 3/4	96	120033X	Decal-Caution
45	73427	Fuel Tank	97	109674	Washer 3/16 x 7/16 x 16 Ga
46	17760412	Screw, Truss Hd. Phillips Thd. Cutting 1/4-20 x 3/4 Type 23	98	19060716	Washer Snap Cap
47	74145	Fuel Cap	99	110357X	Washer-Shirm
48	71190	Brake Rod Bracket	100	120609X	Bolt-Shoulders/16 UNC
49	1839J	Engine Base	101	121094X	Washer 15/32 x 1 x 16 Ga.
50	71178	Rocker Bar Support	102	19151616	Bolt-Fin Hex 1/2-13 UNC x 1 Gr. 5
51	74760544	• Bolt, Hex 5/16-18 x 2-3/4	103	74780816	Lockwasher
52	71431	Bushing	104	10040800	Lockwasher
53	120765X366	Grill Frame	105	19171912	Washer 1/32 x 1-3/16 x 12 Ga.
54	74307	Battery Cap	111	110357X	Snap Cap
			112	---	OPEI Decal - Not Serviced

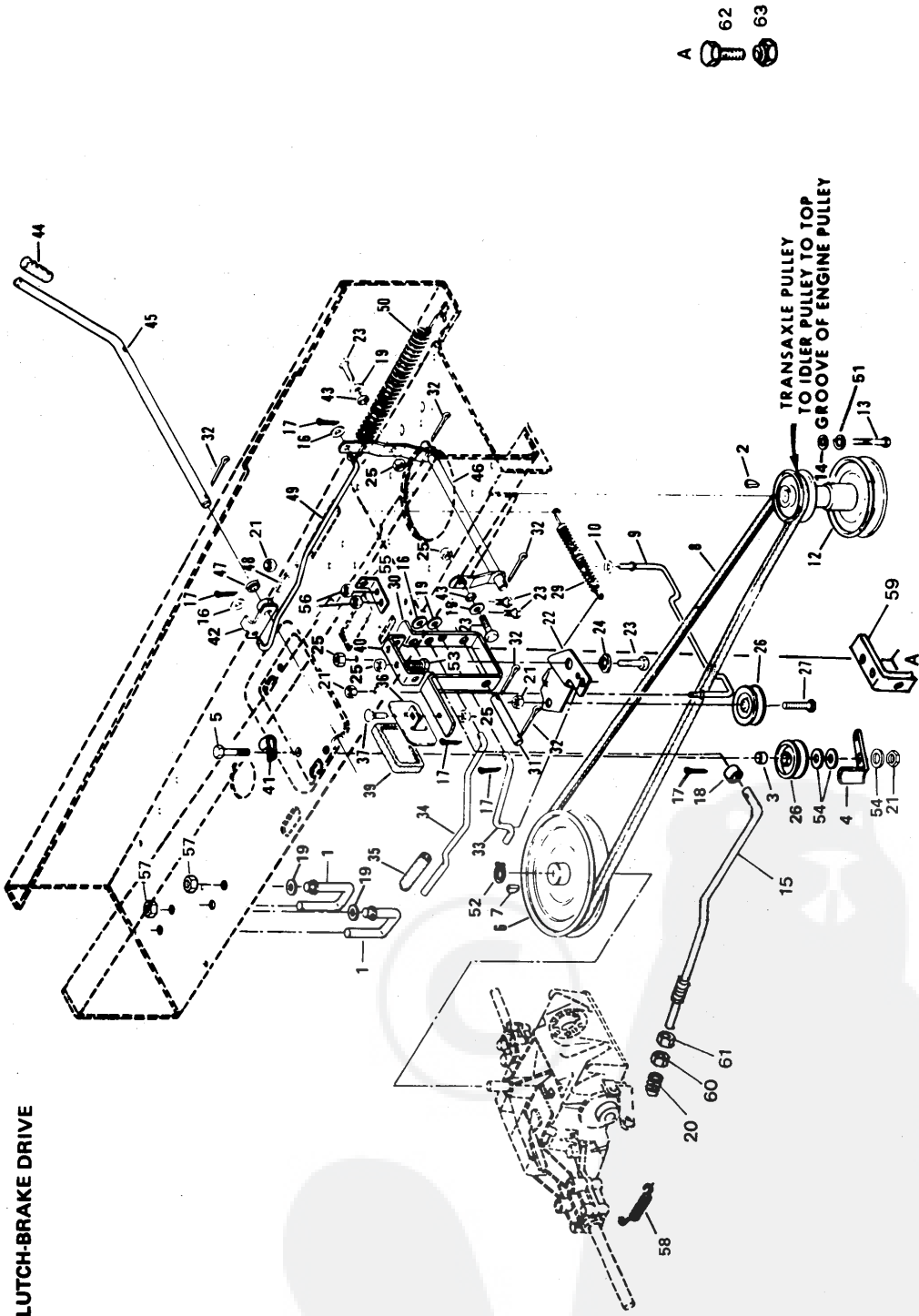
*STANDARD HARDWARE--PURCHASE LOCALLY

NOTE: All component dimensions given in U.S. inches - 1 inch =25.4 mm

REPAIR PARTS

36" RIDING LAWN TRACTOR -- MODEL NUMBER L1930AF AND L1930AE

CLUTCH-BRAKE DRIVE



REPAIR PARTS

36" RIDING LAWN TRACTOR -- MODEL NUMBER L1930AF AND L1930AE

CLUTCH-BRAKE & DRIVE

KEY NO.	PART NO.	DESCRIPTION	KEY NO.	PART NO.	DESCRIPTION
1	5942J	Belt Guide	32	76020416	*Cotter Pin 1/8 x 1
2	9396E	Key	33	74419	Clutch Rod
3	5912J	Spacer	34	373J	Parking Brake Rod
4	6278J	Keeper - Belt	35	7821J	Grip
5	74760644	Bolt, Hex 3/8 - 16 x 2 - 3/4	36	71222	Pedal Plate
6	5925J	Pulley - Transaxle	37	72140506	Bolt, Carriage 5/16 - 18 x 3/4 Gr. 5
7	2228M	Woodruff Key No. 9	39	67365	Foot Pad
8	5928J	V-Belt	40	71199	Pedal Bracket
9	71241	Mid Belt Guide	41	2751R	Clip - Fuel Line
10	19131416	Washer 13/32 x 7/8 x 16 Ga.	42	73229	Clutch Arm Assembly
12	101058M	Pulley - Engine	43	71195	Spacer
13	74770728	Bolt, Hex 7/16 - 20 x 1 - 3/4 Gr. 5	44	7822J	Grip
14	19142405	Washer 7/16 x 1 - 1/2 x 5 Ga.	45	71242	Clutch Handle
15	120297X	Brake Rod	46	71191	Clutch Arm Assembly
16	19131216	Washer 13/32 x 3/4 x 16 Ga.	47	19171616	Washer 17/32 x 1 x 16 Ga.
17	76020312	*Cotter Pin 3/32 x 3/4	48	2364J	Pin, Spiral 3/16 x 1
18	71616	Spacer	49	74474	Blade Clutch Rod
19	19111216	Washer 11/32 x 3/4 x 16 Ga.	50	71248	Spring
20	106888X	Brake Spring	51	10040700	*Lockwasher 7/16 Heavy
21	73680600	Nut - Crownlock 3/8 - 16	52	12000028	Retainer Ring
22	7120J	Idler Bracket	53	74780512	*Bolt, Hex 5/16 - 18 x 3/4 Gr. 5
23	74760512	*Bolt, Hex 5/16 - 18 x 3/4	54	19131210	Washer 13/32 x 3/4 x 10 Ga.
24	71202	Bushing	55	71204	Switch Bracket
25	73680500	Locknut - Gripco 5/16 - 18 Gr. B	56	73680500	Locknut - Gripco 5/16 - 18
26	67400	*Bolt, Hex 3/8 - 16 x 1 - 1/2	57	73510500	Nut - Keps 5/16 - 18
27	74760624	Pulley - Idler	58	110422X	Spring
29	2044J	Spring - Idler	59	73680600	Nut 3/8 - 16 UNC
30	6048J	Foot Pedal	60	73350600	Nut Jam 3/8 - 16 UNC
31	71223	Pedal Shaft	62	74780512	Bolt - Fin Hex 5/16 - 18 UNC x 3/4 Gr. 5
			63	73680500	Locknut Gripco 5/16 - 18 UNC

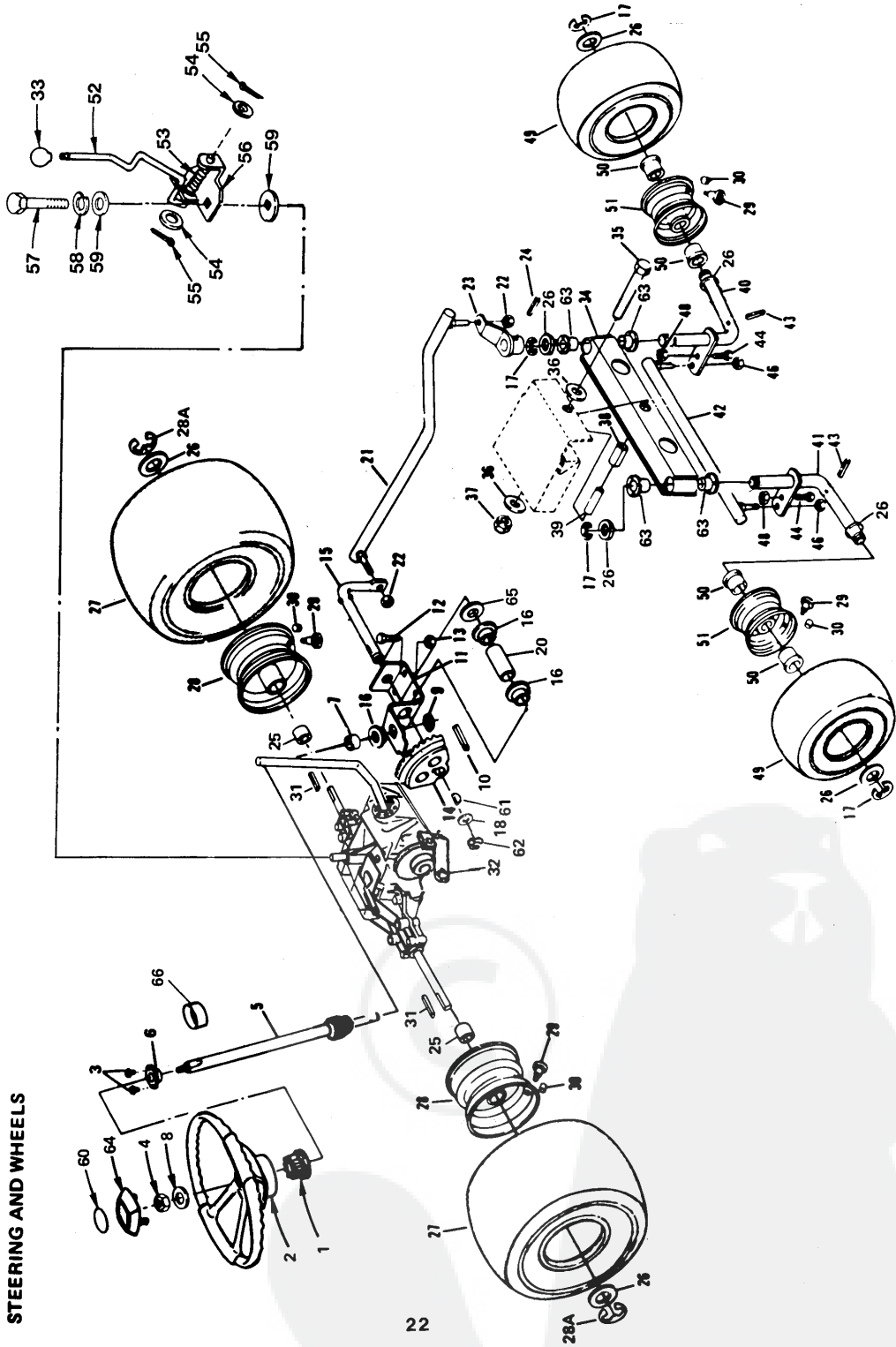
*STANDARD HARDWARE - PURCHASE LOCALLY

NOTE: All component dimensions given in U.S. inches - 1 inch = 25.4 mm

REPAIR PARTS

STEERING AND WHEELS

36" RIDING LAWN TRACTOR -- MODEL NUMBER L1930AF AND L1930AE



REPAIR PARTS

36" RIDING LAWN TRACTOR --- MODEL NUMBER L1930AF AND L1930AE

STEERING AND WHEELS

KEY NO.	PART NO.	DESCRIPTION	KEY NO.	PART NO.	DESCRIPTION
1	100711L	Steering Wheel Adapter	33	106279X	Knob - Control
2	100713N	Steering Wheel	34	104532X	Rocker Bar Assembly
3	17211008	Hex Washer Hd. Sht. Metal Screw No. 10 - 16 x 1/2 Type AB	35	74760848	Bolt, Hex 1/2 - 13 x 3
4	73360800	*Nut, Hex Jam 1/2 - 20	36	19171416	Washer 17/32 x 7/8 x 16 Ga.
5	677A208	Steering Shaft Assembly	37	73680800	Locknut - 1/2 - 13
6	1554J	Bushing - Steering	38	671151	Bushing
7	74580	Shaft Spacer	39	711188	Pivot Spacer
8	100712K	Washer	40	677A169	Spindle Assembly - L.H.
9	19212013	Washer 21/32 x 1 - 1/4 x 13 Ga.	41	677A168	Spindle Assembly - R.H.
10	1572H	Pin - Roll	42	73240	Tie Rod
11	120019X	Steering Bracket	43	9530R	Groove Pin
12	74760512	*Bolt - Hex 5/16 - 18 x 3/4	44	74760612	*Bolt, Hex 3/8 - 16 x 3/4
13	73680500	Locknut - Gripco 5/16 - 18	46	73810300	Nut - Hex Nylon 5/16 - 24
14	101060M	Gear	48	73880600	Nut - Crownlock 3/8 - 16
15	101429X	Steering Rod	49	71651	Tire (15 x 6.00 x 6)
16	71208	Bushing	---	4479R	Tube - Tire (not furnished with Tractor)
17	1200029	Klip Ring	50	625J	Bearing
18	19211621	Washer 21/32 x 1 x 21 Ga. (0 - 4 as required)	51	677A98	Rim Assembly (Inc. Key No. 50)
20	101171K	Spacer - Split	52	105783X	Rod Shifter
21	71219	Drag Link	53	105700X	Spring, Torsion
22	7810H	Nut, Centerlock 3/8 - 24 UNF	54	19151216	Washer 15/32 x 3/4 x 16 Ga.
23	71185	Steering Arm Assembly	55	76020416	*Cotter Pin 1/8 x 1
24	62079	Spring Pin 1/4 x 1 - 1/4	56	106632X	Shift Plate
25	2935J	Spacer	57	71040412	Bolt - Hex 1/4 - 28 x 3/4
26	19252016	Washer 25/32 x 1 - 1/4 x 16 Ga.	58	10040400	*Washer, Lock 1/4
27	71653	Tire (18.00 - 9.50 x 8)	59	19091210	Washer 9/32 x 3/4 x 10 Ga.
---	4445H1	Tube - Tire (not furnished with Tractor)	60	109325X	Decal - Steering Wheel
28	71652	Rim	61	2228M	Key - Woodruff
28A	12000001	E-Ring	62	12000040	Ring - Klip
29	65139	Valve Stem	63	3366R	Bearing
30	59192	Valve Cap	64	100710L	Insert - Steering Wheel
31	2703J	Square Key 3/16 x 2	65	19211616	Washer 21/32 x 1 x 16 Ga.
32	4360-3	Transaxle Assembly - Foote (see pages 26, 27 for parts Breakdown)	66	109420X	Sleeve, Steering

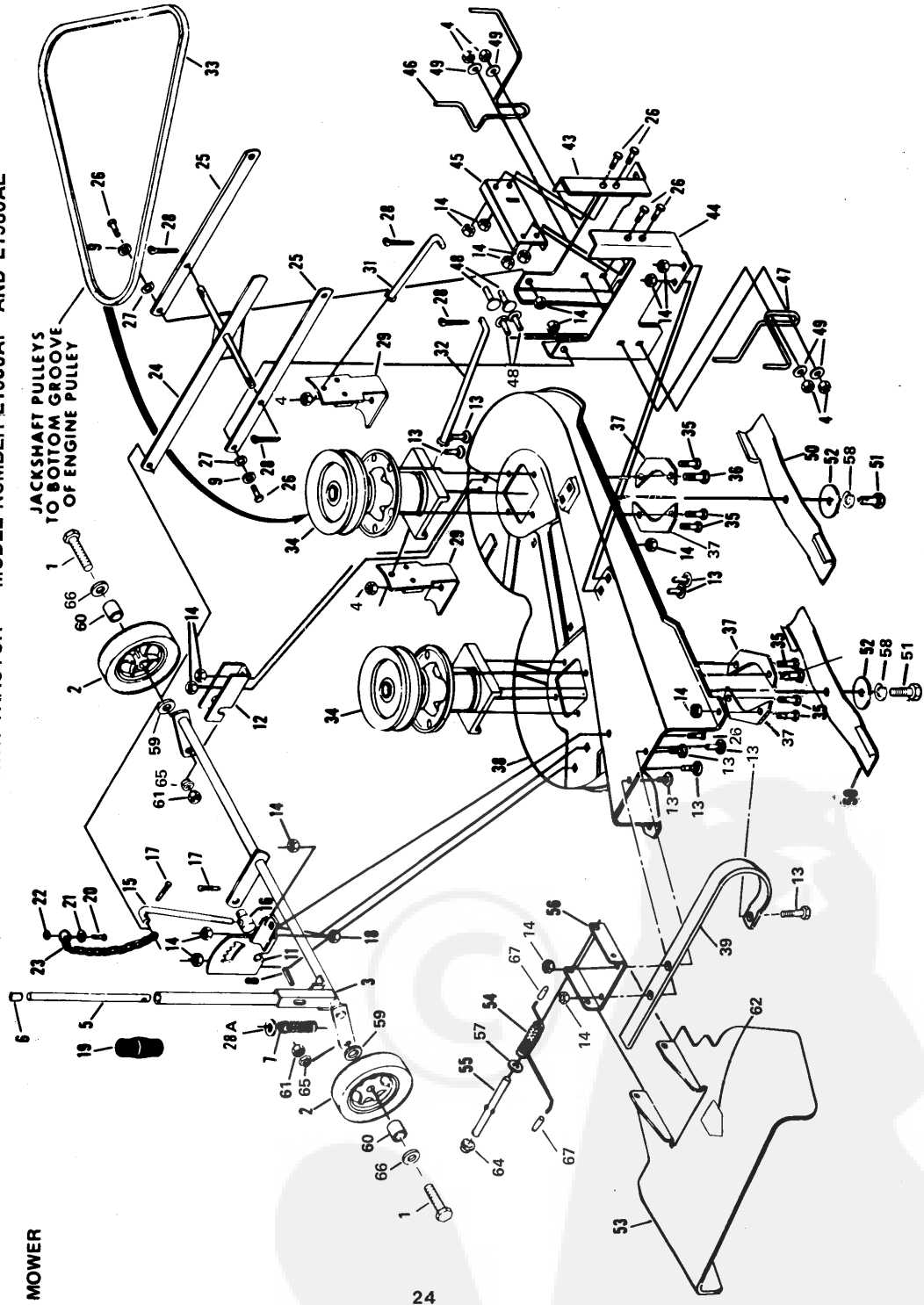
* STANDARD HARDWARE--PURCHASE LOCALLY

NOTE: All component dimensions given in U.S. inches - 1 inch = 25.4 mm

REPAIR PARTS

MOWER

36" RIDING LAWN TRACTOR -- MODEL NUMBER L1930AF AND L1930AE



REPAIR PARTS

MOWER

36" RIDING LAWN TRACTOR -- MODEL NUMBER L1930AF AND L1930AE

KEY NO.	PART NO.	DESCRIPTION	KEY NO.	PART NO.	DESCRIPTION
1	74610644	Hex Bolt 3/8 - 24 x 2 - 3/4 Gr. 5	35	17490612	Screw - Hex Washer Thd. Rolling 3/8 - 16 x 3/4 Type TT
2	9536H	Gauge Wheel	36	17490620	Screw - Hex Washer Thd. Rolling 3/8 - 16 x 1 - 1/4 Type TT
3	101061N	Pivot Rod Assembly	37	100668L	Plate - Support
4	73680600	Nut - Crownlock 3/8 - 16	38	677A745	Housing w/Silk Screening
5	1663J	Rod - Plunger	39	8055J	Runner - R.H.
6	7740J	Cap - Lever Plunger	43	71276	Housing Bracket - L.H.
7	71669	Spring	44	71277	Housing Bracket - R.H.
8	667J	Pin - Drive Lock	45	71278	Channel
9	19111216	Washer 11/32 x 3/4 x 16 Ga.	46	71298	Belt Keeper - L.H.
11	72937	Quadrant Assembly	47	71299	Belt Keeper - R.H.
12	67337	Pivot Rod Support	48	72240608	*Bolt, Carriage 3/8 - 16 x 1
13	72140505	Bolt, Carriage 5/16 - 18 x 5/8 Gr. 5	49	19131407	Washer 13/32 x 7/8 x 7 Ga.
14	73680500	Locknut - Gripco 5/16 - 18 Gr. B	50	120626X	Blade
15	71300	Adjustment Rod	51	74610624	*Bolt, Hex 3/8 - 24 x 1 - 1/2 Gr. 5
16	71301	Trunnion	52	19133808	Washer 13/32 x 2 - 3/8 x 8 Ga.
17	76020312	*Cotter Pin 3/32 x 3/4	53	100544N013	Deflector (Discharge Guard) w/Silk Screen
18	73800600	Locknut w/Washer 3/8 - 16 UNC	54	71526	Discharge Spring
19	1747J	Grip, Handle	55	100569K	Hinge Rod
20	74230416	*Screw, Phillips Pan Hd. Machine 1/4 - 20 x 1	56	71528	Bracket - Deflector
21	19091616	Washer 9/32 x 1 x 16 Ga.	57	19111416	Washer 11/32 x 7/8 x 16 Ga.
22	73680400	*Nut, Hex Lock 1/4 - 20	58	10030600	Lockwasher 3/8
23	74014	Sway Chain	59	19131316	*Washer 13/32 x 13/16 x 16 Ga.
24	72915	Parallel Rod Assembly	60	7375H	Bushing
25	71297	Parallel Link	61	7810H	*Nut - Lock 3/8 - 24
26	74760512	*Bolt, Hex Head 5/16 - 18 x 3/4	62	107339X	Label - Warning CPSC
27	71616	Spacer	64	5846R	Pushnut
28	76020416	*Cotter Pin 1/8 x 3/4	65	101062K	Bushing - Height Adj.
28A	19151216	Washer 15/32 x 3/4 x 16 Ga.	66	19131614	Washer 13/32 x 1 x 14 Ga
28B	72140506	*Bolt, Carriage Sh. Shoulder 5/16 - 18 x 3/4 Gr. 5	67	105304X	Cap - Sleeve
29	106577X	Brake Assembly			
31	71525	Brake Rod - L.H.			
32	71524	Brake Rod - R.H.			
33	62828	V-Belt			
34	105891X	Jackshaft Assembly			

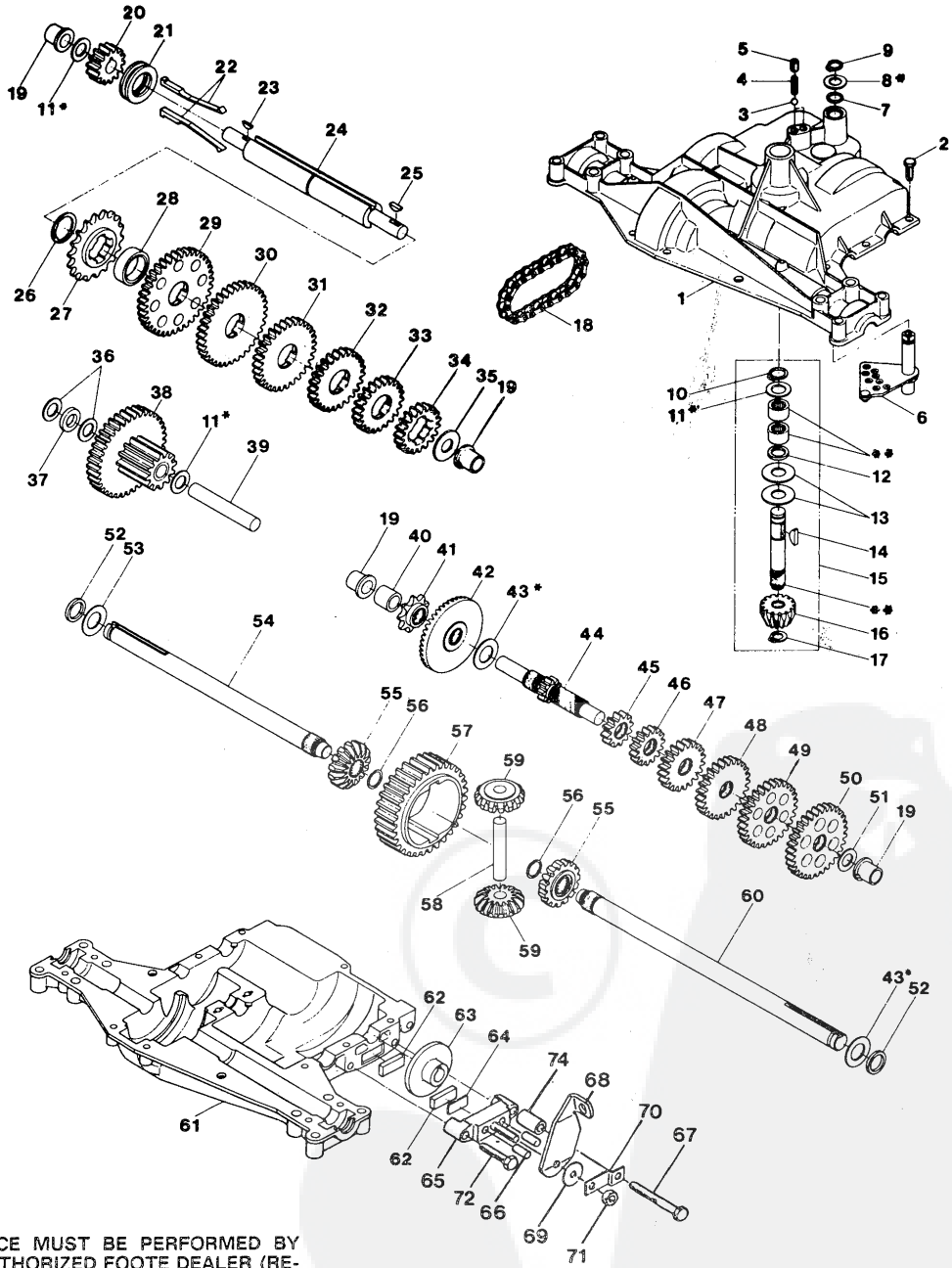
*STANDARD HARDWARE--PURCHASE LOCALLY

NOTE: All component dimensions given in U.S. inches - 1 inch =25.4 mm

REPAIR PARTS

36" RIDING LAWN TRACTOR--MODEL NUMBER L1930AF AND L1930AE
TRANSAXLE FOOTE - MODEL NUMBER 4360-3

TRANSAXLE



SERVICE MUST BE PERFORMED BY
AN AUTHORIZED FOOTE DEALER (RE-
FER TO PAGE 37).

REPAIR PARTS

36" RIDING LAWN TRACTOR--MODEL NUMBER L1930AF AND L1930AE TRANSAXLE FOOTE - MODEL NUMBER 4360-3

TRANSAXLE

KEY NO.	PART NO.	DESCRIPTION	KEY NO.	PART NO.	DESCRIPTION
1	3865	Housing, Upper	39	3877	Shaft, Idler
2	2274J	Screw, Tapping, 1/4-20 x .734 Lg.	40	3901	Spacer, .635 x .875 x .755
3	1151	Ball, Detent	41	3645	Sprocket, 9T
4	3626	Spring, Detent	42	3853	Gear, Bevel, 42T.
5	3623	Screw, Set	43	3749	* Washer, Plain, .758 x 1.12 x .010
6	4336	Ass'y., Shifter	43	3652	* Washer, Plain, .758 x 1.12 x .015
7	3884	O-Ring	43	3693	* Washer, Plain, .758 x 1.12 x .020
8	3885	* Washer, Plain, .505 x .942 x .006	43	3653	* Washer, Plain, .758 x 1.12 x .025
8	3886	* Washer, Plain, .505 x .942 x .010	43	3408	* Washer, Plain, .758 x 1.25 x .020
8	3887	* Washer, Plain, .505 x .942 x .015	43	3732	* Washer, Plain, .758 x 1.25 x .025
8	3888	* Washer, Plain, .505 x .942 x .020	43	3184	* Washer, Plain, .758 x 1.25 x .031
8	3889	* Washer, Plain, .505 x .942 x .026	43	3733	* Washer, Plain, .758 x 1.25 x .035
8	3121	* Washer, Plain, .505 x .942 x .030	43	3198	* Washer, Plain, .758 x 1.25 x .040
8	3890	* Washer, Plain, .505 x .942 x .040	43	3734	* Washer, Plain, .758 x 1.25 x .045
9	1100	Ring, Retaining	43	3735	* Washer, Plain, .758 x 1.25 x .050
10	1099	Ring, Retaining	43	3736	* Washer, Plain, .758 x 1.25 x .055
11	1959	Washer, Plain, .632 x 1.00 x .010	43	3180	* Washer, Plain, .758 x 1.25 x .062
11	1441	Washer, Plain, .632 x 1.00 x .020	44	3882	Shaft, Drive
11	1423	Washer, Plain, .632 x 1.00 x .026	45	3646	Gear, Spur, 12T.
11	1082	Washer, Plain, .632 x 1.00 x .031	46	3707	Gear, Spur, 15T.
11	1424	Washer, Plain, .632 x 1.00 x .036	47	3866	Gear, Spur, 20T.
11	1068	Washer, Plain, .632 x 1.00 x .041	48	3719	Gear, Spur, 25T.
11	1425	Washer, Plain, .632 x 1.00 x .046	49	3868	Gear, Spur, 28T.
11	1358	Washer, Plain, .632 x 1.00 x .050	50	3683	Gear, Spur, 31T.
11	1145	Washer, Plain, .632 x 1.00 x .060	51	1145	Washer, Plain, .632 x 1.00 x .060
11	1319	Washer, Plain, .632 x 1.00 x .082	52	3191	Seal, Felt
12	6725J	O-Ring	53	3180	Washer, Plain, .758 x 1.25 x .062
13	3876	Washer, Plain, .632 x 1.38 x .046	54	3880	Axle, L.H.
14	1374	Key, Woodruff, #9	55	3780	Gear, Miter, 15T.
15	4134	Ass'y., Kit, Input Shaft	56	3656	Ring, Retaining
16	3590	Pinion, Bevel, 14T.	57	3839	Gear, Spur, 32T.
17	3624	Ring, Retaining	58	3840	Shaft, Cross
18	3625	Chain, 24 Pitches	59	3781	Gear, Miter, 15T.
19	1524	Bearing, Flange	60	3881	Axle, R.H.
20	3773	Gear, Spur, 14T.	61	3864	Housing, Lower
21	3631	Collar, Clutch	62	3757	Puck, Friction
22	3828	Key, Clutch	63	64260	Disc, Brake
23	1369	Key, Woodruff, #3	64	3758	Spacer
24	3883	Shaft, Intermediate	65	110477X	Ass'y, Jaw, Brake
25	1375	Key, Woodruff #61	66	3754	Pin, Dowel
26	3627	Ring, Retaining	67	3771	Bracket, Anti-Rotation
27	3830	Sprocket, 18T.	68	3768	Lever, Actuating
28	3841	Spacer	69	3760	Washer, Plain, .321 x 1.00 x .055
29	3786	Gear, Spur, 37T.	70	3842	Screw, Tapping, 5/16-18 x 1.44 Lg.
30	3785	Gear, Spur, 35T.	71	73810500	Nut, Lock 5/16-24
31	3867	Gear, Spur, 30T.	72	3724	Screw, Tapping, 5/16-18 x 2.50 Lg.
32	3783	Gear, Spur, 25T.	73	4300	Grease
33	3869	Gear, Spur, 22T.	74	3752	Spacer, .32 x .56 x 1.00 Lg.
34	3741	Gear, Spur, 19T.	75	3757	Puck, Friction
35	3628	Washer, Plain, .640 x 1.37 x .061			
36	1423	Washer, Plain, .632 x 1.00 x .026			
37	3422	Spacer, .630 x 1.00 x .169			
38	4286	Ass'y., Gear, Combo., 12T. & 35T.			

*Use in various combinations to maintain proper clearances.
**Order Key No. 15.

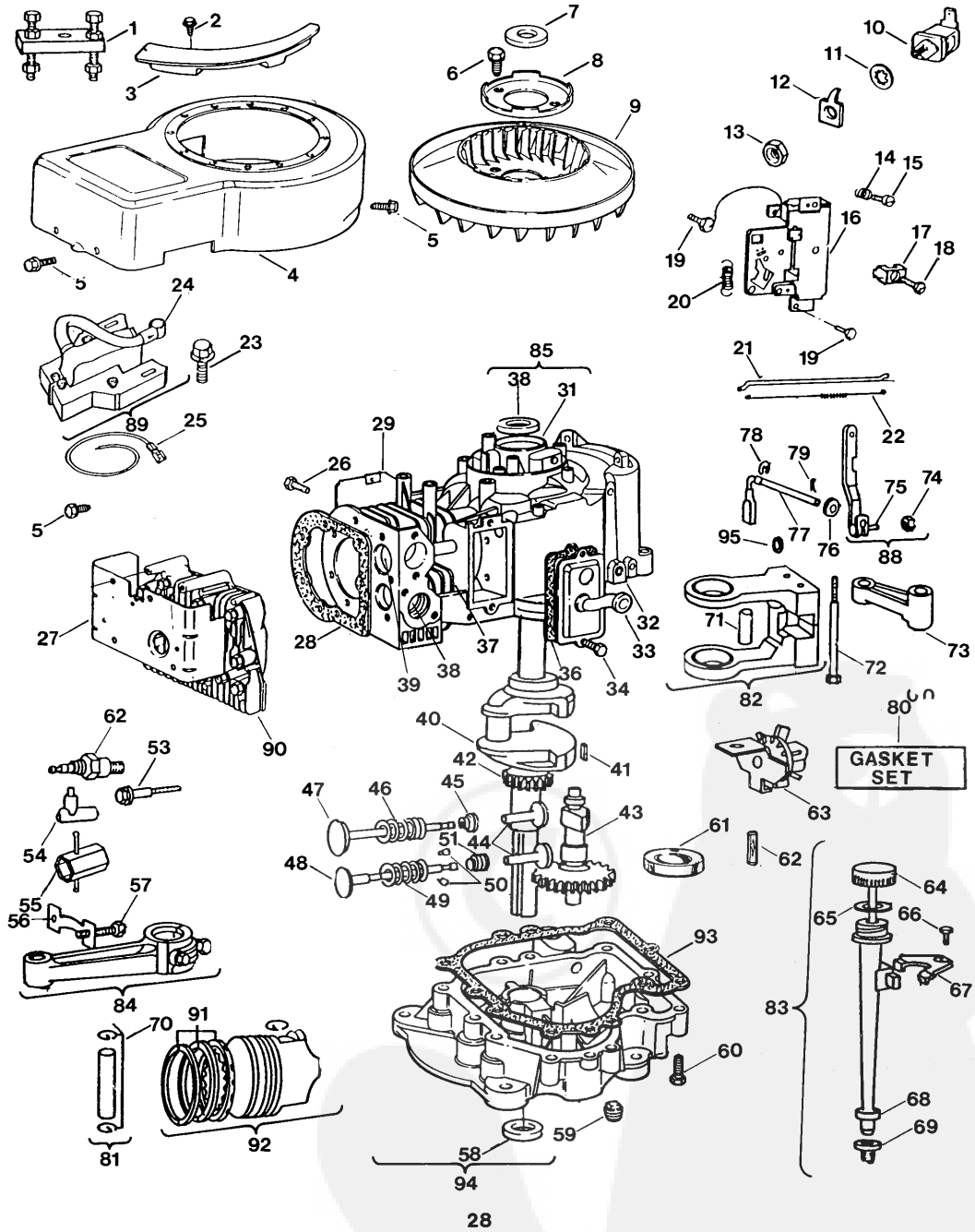
NOTE: All component dimensions given in U.S. inches - 1 inch = 25.4 mm

REPAIR PARTS

36" RIDING LAWN TRACTOR -- MODEL NUMBER L1930AF AND L1930AE
BRIGGS AND STRATTON 12 H.P. ENGINE -- MODEL NO. 280707, TYPE NO. 0125-01

CYLINDER, CRANKSHAFT AND ENGINE BASE GROUP

ALL ENGINE PARTS MUST BE PURCHASED THROUGH AND WARRANTY SERVICE PERFORMED BY YOUR LOCAL BRIGGS AND STRATTON DEALER.



REPAIR PARTS

36" RIDING LAWN TRACTOR -- MODEL NUMBER L1930AF AND L1930AE
BRIGGS AND STRATTON 12 H.P. ENGINE -- MODEL NO. 280707, TYPE NO. 0125-01

CYLINDER, CRANKSHAFT AND ENGINE BASE GROUP

KEY NO.	PART NO.	DESCRIPTION	KEY NO.	PART NO.	DESCRIPTION
1	19203	Puller-Flywheel	53	93723	Screw-Cylinder Head (3'long)
2	93705	Screw-Hex Head	54	66538	Elbow-Spark-Plug
3	223752	Guard-Flywheel	55	89838	Wrench-Spark Plug
4	490689	Housing-Blower	56	222299	Lock-Connecting Rod
5	93158	Screw-Blower Housing Mounting Sem	57	92909	Screw-Connecting Rod
6	93535	Screw-Sem	58	291675	Seal-Oil
7	231531	Spacer Clutch	59	91084	Plug-Oil Drain
8	223726	Retainer-Fan	60	94305	Screw-Base Mounting Sem
9	280687	Fan-Flywheel	61	262243	Eccentric
10	398525	Insulator Assembly	62	94160	Pin-Eccentric
11	92791	Washer-Lock-Shakeproof	63	490185	Oil Slinger, Governor Gear and Bracket Assembly
12	93722	Terminal-Spade	64	490327	Cap and Dipstick-Oil Filler
13	90576	Nut-Hex. - 8-32	65	270920	Seal-Oil Filler Cap
14	26157	Spring-Throttle Adjustment	66	93804	Screw-Clamp Mtg.
15	91920	Screw-Machine, Fill. Hd. 8-32 x 1/2"	67	223721	Clamp-Oil Filler Tube
16	390784	Plate-Governor Control	68	280741	Tube Oil Filler
17	221535	Clamp-Casing	69	68838	Seal-Filler Tube
18	93496	Screw-Sem	70	260924	Lock-Piston Pin
19	93572	Screw-Carburetor	71	298909	Pin-Counterweight
20	260695	Spring-Governor	72	93875	Screw-Counterweight (1)
21	262348	Link-Governor	73	212359	Link-Counterweight
22	260584	Spring-Governor Link	74	231082	Nut-Hex., 10-24
23	93381	Screw-Armature Mounting Sem	75	92613	Bolt-Governor Lever
24	221798	Terminal-Ignition Cable	76	222450	Washer-Governor Crank (1/4" I.D.)
25	398808	Wire-Ground	77	231058	Crank-Governor (1/4" dia.)
26	93163	Screw-Cylinder Shield Mtg. Sem	78	93307	Retainer-E-Ring
27	223718	Cover-Cylinder Head	79	93306	Cotter-Hair Pin
28	271866	*Gasket-Cylinder Head	80	490525	Gasket Set
29	223715	Shield-Cylinder	81	299691	Pin Assembly-Piston-Standard
30	261623	†Bearing-Cylinder	81	391286	Pin Assembly Piston-.005" O.S.
31	391086	Seal-Oil	82	399891	Counterweight Assembly
32	92909	Screw-Connecting Rod	83	490474	Fill Group-Oil
33	280100	Tube-Breather	84	490348	Rod Assembly-Connecting
34	93394	Screw-Sem	85	490449	Cylinder Assembly
35	391406	Breather Assembly	86	398811	Armature-Magneto
36	27803	*Gasket-Valve Cover	87	391285	Piston Assy.-Standard
37	261961	Guide-Exhaust Valve	88	490927	Lever Assy.-Governor (For 1/4" dia. Crank)
38	210940	Seat-Exhaust Valve (Standard)	89	398811	Armature-Magneto
39	261463	Seat-Intake Valve (Standard)	90	213181	Gead Cylinder
40	490466	Crankshaft	91	391780	Ring Set-Piston-Std.
41	222698	Key-Flywheel	91	391781	Ring Set-Piston-.010" O.S.
42	262199	Gear-Timing	91	381782	Ring Set-Piston-.020" O.S.
43	212897	Gear-Cam	91	391783	Ring Set-Piston-.030" O.S.
44	262248	Tappet-Valve	92	391285	Piston Assembly-Standard
45	221596	Retainer-Intake Valve	92	391287	Piston Assembly .010" O.S.
46	65906	Spring-Intake Valve	92	391288	Piston Assembly .020" O.S.
47	262247	Valve-Intake	92	391289	Piston Assembly .030" O.S.
48	262246	Valve-Exhaust	93	271916	*Gasket-Crankcase Cover-1/64" thick
49	26828	Spring-Exhaust Valve	93	271996	*Gasket-Crankcase Cover-.005" thick
50	93630	Retainer-Exhaust Valve Rotocoil (2)	93	271997	*Gasket-Crankcase Cover-.009" thick
51	292260	Rotocoil-Exhaust Valve	94	490452	Base-Engine
52	293918	Plug-Spark (1-1/2" High-37-42 M.M.)(Resistor Type)	95	491323	Seal - Oil

*INCLUDED IN GASKET SET - NO. 393411
†SPECIAL TOOLS REQUIRED TO INSTALL

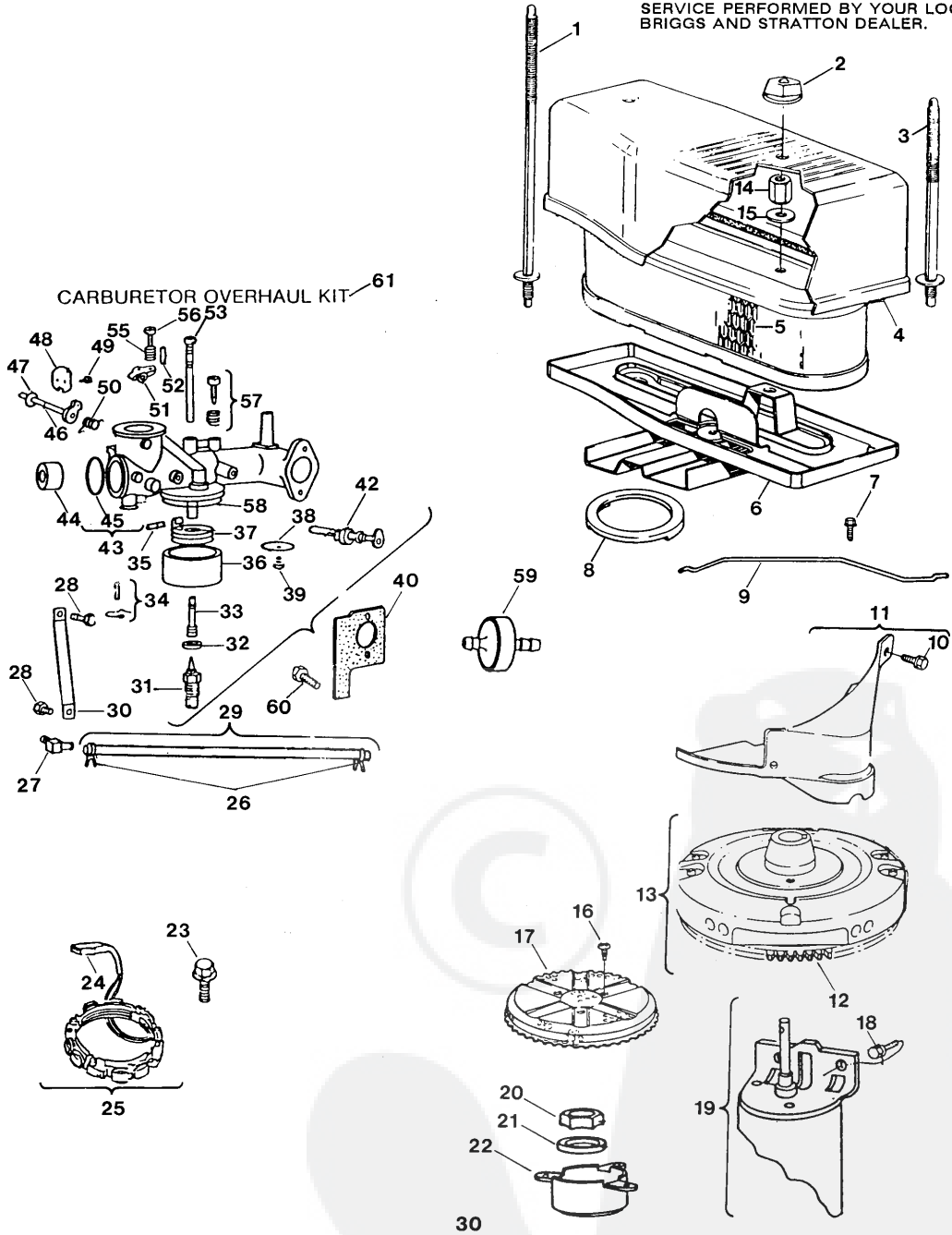
NOTE: All component dimensions given in U.S. inches - 1 inch =25.4 mm

REPAIR PARTS

36" RIDING LAWN TRACTOR -- MODEL NUMBER L1930AF AND L1930AE
BRIGGS AND STRATTON 12 H.P. ENGINE -- MODEL NO. 280707, TYPE NO. 0125-01

AIR CLEANER AND CARBURETOR

ALL ENGINE PARTS MUST BE PURCHASED THROUGH AND WARRANTY SERVICE PERFORMED BY YOUR LOCAL BRIGGS AND STRATTON DEALER.



REPAIR PARTS

36" RIDING LAWN TRACTOR -- MODEL NUMBER L1930AF AND L1930AE
BRIGGS AND STRATTON 12 H.P. ENGINE -- MODEL NO. 280707, TYPE NO. 0125-01

AIR CLEANER AND CARBURETOR

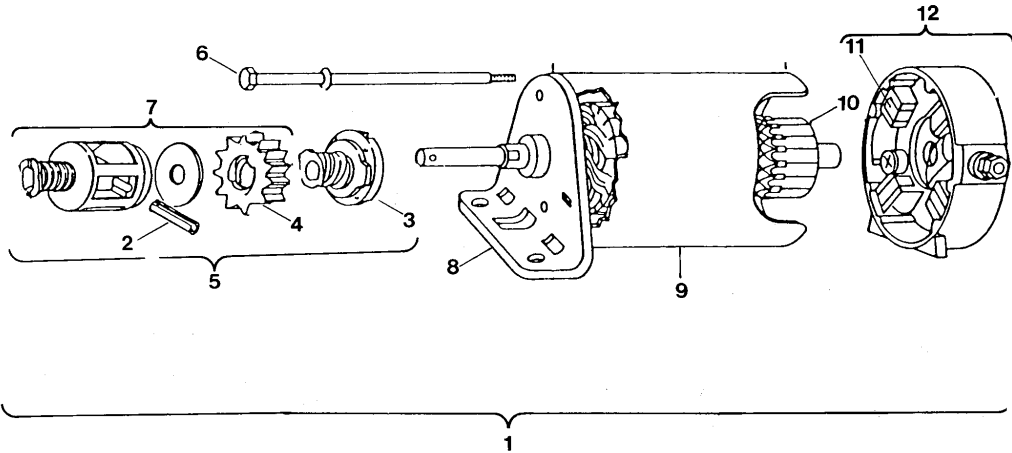
KEY NO.	PART NO.	DESCRIPTION	KEY NO.	PART NO.	DESCRIPTION
1	94248	Stud-Air Cleaner	32	222014	†Washer-Float Bowl
2	212706	Knob-Air Cleaner	33	231323	†Screw-Nozzle
3	94246	Stud-Air Cleaner	34	394681	†Valve-Fuel Inlet
4	223700	Cover-Air Cleaner	35	230896	†Pin-Float Hing
5	399806	Cartridge-Air Cleaner	36	221995	Bowl-Float
6	490332	Body-Air Cleaner	37	299707	Float-Carburetor
7	94018	Screw-Air Cleaner	38	22433	Valve-Throttle
8	270853	Gasket-Air Cleaner	39	93499	Screw-Throttle and Choke Valve Mgt. Sem
9	261610	Link-Choke	40	270872	*Gasket-Carburetor Mounting
10	93984	Screw-Sem	41	491031	Carburetor Assembly (Choke-A-Matic)®
11	490324	Cover-Starter (Includes Mounting Screws)	42	398970	Seal-Throttle Shaft
12	392134	Gear-Ring (Includes Mounting Parts)	43	490473	Body Assembly-Carburetor
13	399917	Flywheel and Ring Gear Assy.-Magneto	44	211960	Venturi-Carburetor
14	231532	Nut-Air Cleaner	45	221997	Plug-Welch
15	94249	Washer-Air Cleaner	46	390684	Shaft and Lever-Choke
16	93805	Screw-Sem	47	270382	Washer-Choke Shaft
17	223713	Screen-Flush Rotating	48	222010	Valve Choke
18	93535	Screw-Sem	49	93499	Screw-Throttle and Choke Valve Mgt. Sem
19		Motor-Starting (12Volt)	50	261116	Spring-Choke Return
20	92284	Nut-Hex	51	211712	Stop-Throttle
21	220865	Washer-Spring	52	93043	Pin-Throttle Stop
22	222561	Cup-Screen Mounting	53	299740	†Nozzle-Carburetor
23	93621	Screw-Sem	55	26157	Spring-Throttle Adjustment
24	393456	Diode and Connector Assy. (Dual Circuit)	56	91920	Screw-Machine, Fill. Hd. 8-32 x 5/8"
25	393474	Stator-Alternator (Dual Circuit)	57	292681	†Valve Assembly-Carburetor Idle
26	93053	Clamp-Fuel Pipe	58	270511	†Gasket-Float Bowl
27	67218	Connector-Fuel Pipe	59	298090	Filter-Fuel (In Fuel Line)
28	93572	Screw-Carburetor	60	93357	Screw-Carburetor Mtg.
29	393815	Line-Fuel (cut to Suit)	61	394698	Carburetor Overhaul Kit
30	222311	Bracket-Carburetor			
31	396568	Valve-Needle			

NOTE: All component dimensions given in U.S. inches - 1 inch = 25.4 mm

REPAIR PARTS

36" RIDING LAWN TRACTOR -- MODEL NUMBER L1930AF AND L1930AE
 BRIGGS AND STRATTON 12 H.P. ENGINE -- MODEL NO. 280707, TYPE NO. 0125-01

ALTERNATOR AND STARTER MOTOR GROUP



KEY NO.	PART NO.	DESCRIPTION
1	490420	Motor and Drive Assy.
2	94288	Roll Pin
3	390083	Clutch Assembly
4	280104	Gear
5	490467	Retainer Kit
6	94004	Thru Bolt Assembly
7	490421	Drive Assembly
8	394857	End Cap Assy. Drive
9	394544	Housing Assembly
10	391160	Armature Assembly
11	395538	Brush Assembly
12	395537	End Cap Assy. Commutator