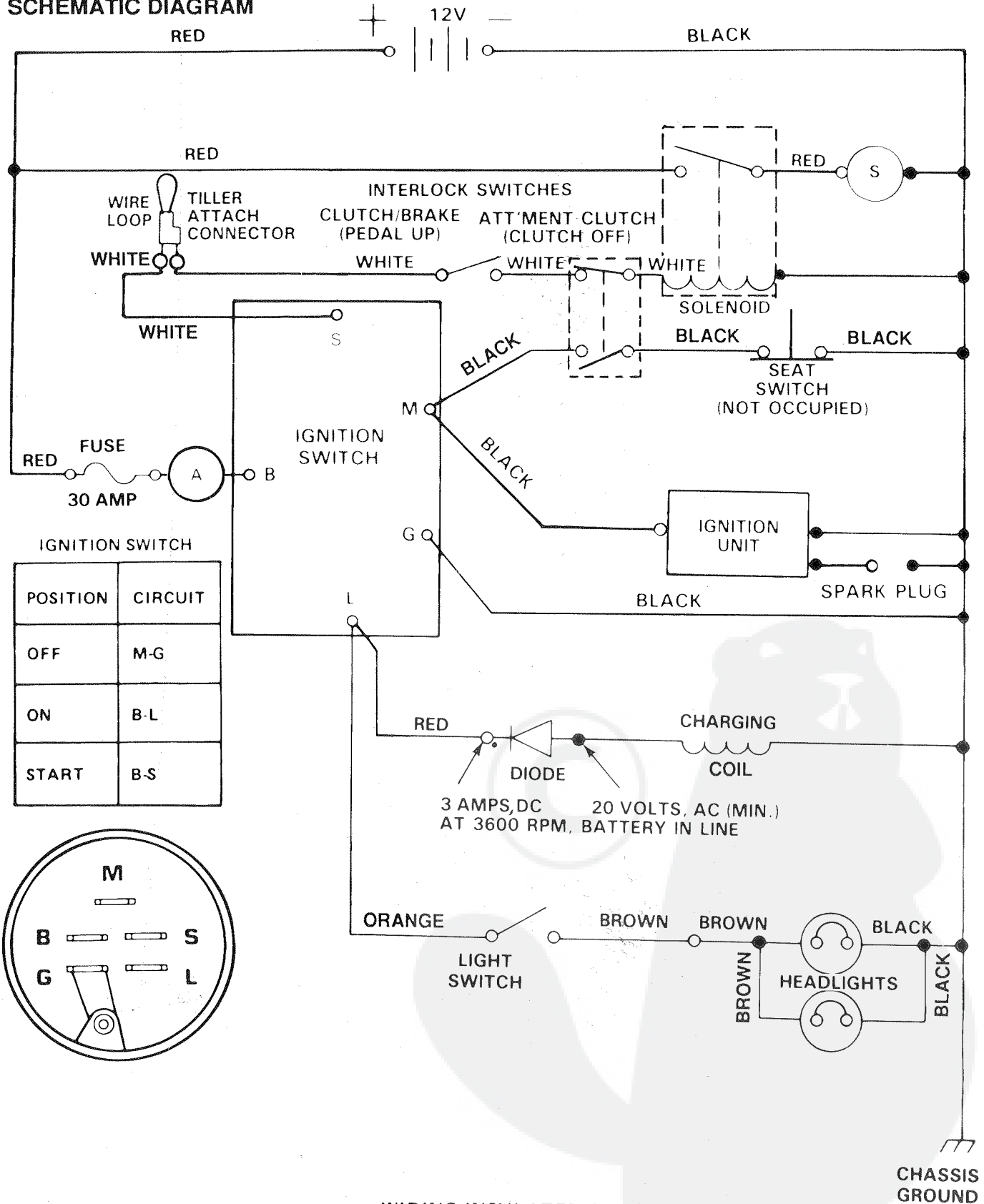


12 HP LAWN TRACTOR

SCHEMATIC DIAGRAM



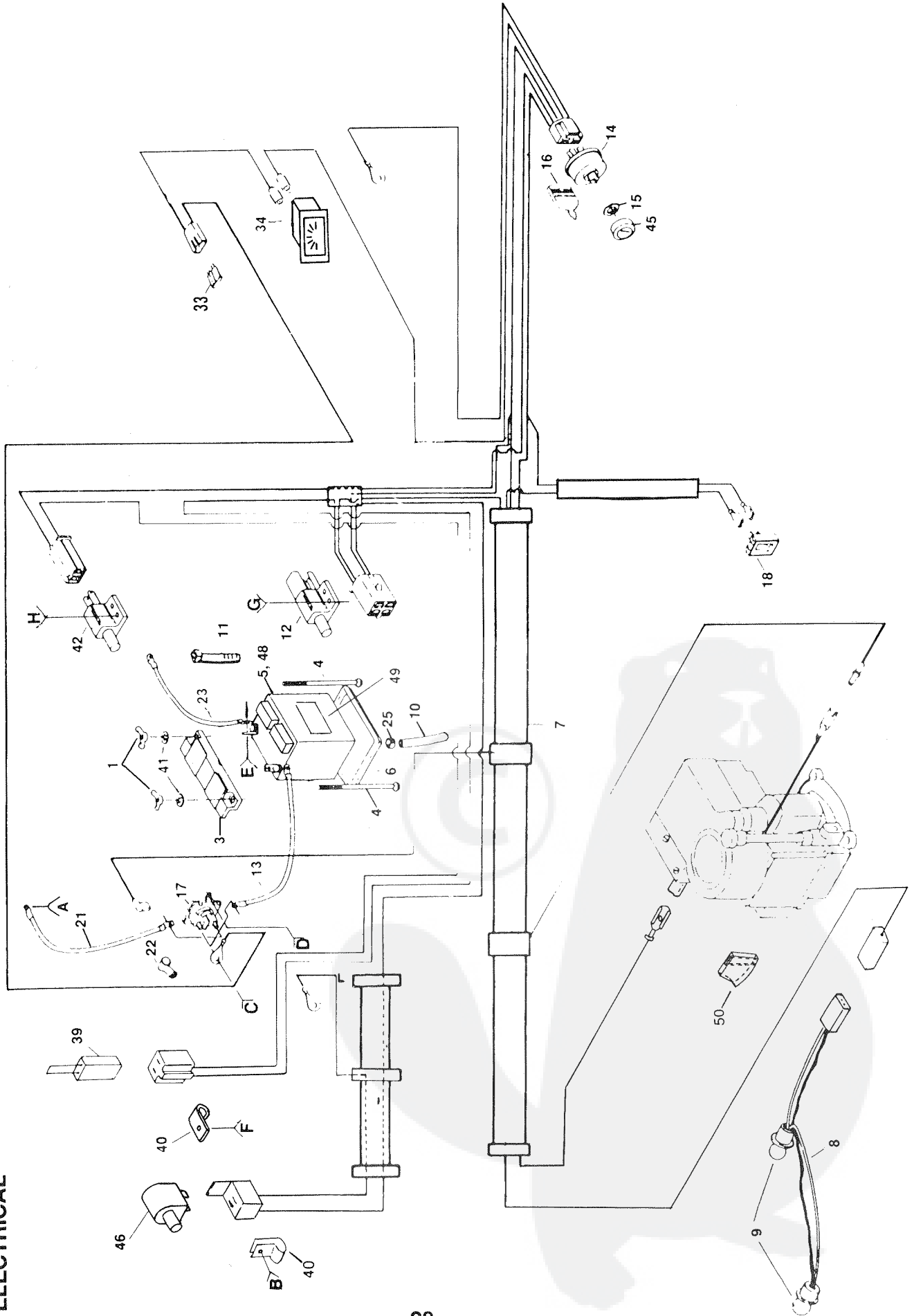
WIRING INSULATED CLIPS

If Insulated Clips and Cable Ties were removed for servicing of unit, they should be replaced to properly secure your wiring.

REPAIR PARTS

ELECTRICAL

12 HP LAWN TRACTOR

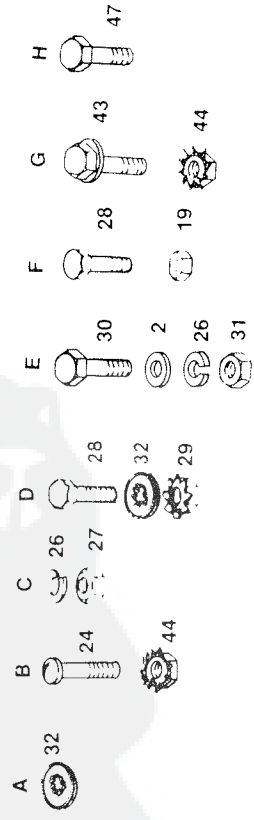


REPAIR PARTS

12 HP LAWN TRACTOR

ELECTRICAL

KEY. PART NO.	DESCRIPTION	KEY. PART NO.	DESCRIPTION
1	73490400 Wing Nut 1/4 - 20	26	10040400 Lockwasher 1/4
2	19091016 Washer 9/32 x 5/8 x 16 Ga.	27	73350400 Nut, Hex Jam 1/4 - 20
3	102476X Terminal Guard	28	74780408 Bolt, Hex 1/4 - 20 x 1/2 Gr. 5
4	72240460 Carriage Bolt 1/4 - 20 x 7 1/2	29	73510400 Nut, Keps, Hex 1/4 - 20
5	121265X Battery 12V. (Shipped Dry, Purchase Battery Acid Locally)	30	74760412 Bolt, Hex 1/4 - 20 x 3/4
6	7603J Battery Tray	31	73220400 Nut, Hex 1/4 - 20
7	122919X Ignition Harness	32	11050400 Washer, Lock 1/4 - 20 Int. Tooth
8	110859X Harness, Light Socket	33	108824X Fuse, 30 AMP
9	7662J Light Bulb	34	121433X Ammeter
10	7604J Tube, Battery Tray	39	102501X Loop, Wire
11	7192J Cable Tie	40	235R Clip, Insulated
12	109553X Switch, Interlock, Attachment Clutch	41	11030400 Washer, Int./Ext. 1/4
13	4206J Cable, Battery (Battery to Solenoid)	42	104445X Switch, Interlock, Clutch Pedal
14	4406R Switch, Ignition	43	71031008 Hex Washer Head Screw
15	109788X Nut, Ignition	44	73951000 Nut, Keps #10-32 UNF
16	122147X Key	45	109787X Bezel, Ignition
17	109081X Solenoid	46	121305X Switch, Plunger
18	110712X Switch, Light	47	17021008 Screw, Hex Tapping #10-24 x 1/2
19	73680400 Nut, Hex 1/4 - 20	48	121264X Battery Caps Set
20	4171R Clip Wire	49	121549X Decal, Battery Caution
21	4799J Cable, Battery (Solenoid to Starter)	50	122533X Stop, Plastic
22	719J Terminal Cover (For Solenoid)	--	123123X Manual, - English
23	4207J Cable, Battery (Battery to Ground)	--	123124X Manual, - French
24	74641008 Screw 10/32 x 1/2 Pan Head UNF	--	101539X Sheet, Inst. Tractor 15° Slope English
25	109596X Clamp, Hose	--	101572X Sheet, Inst. Tractor 15° Slope French

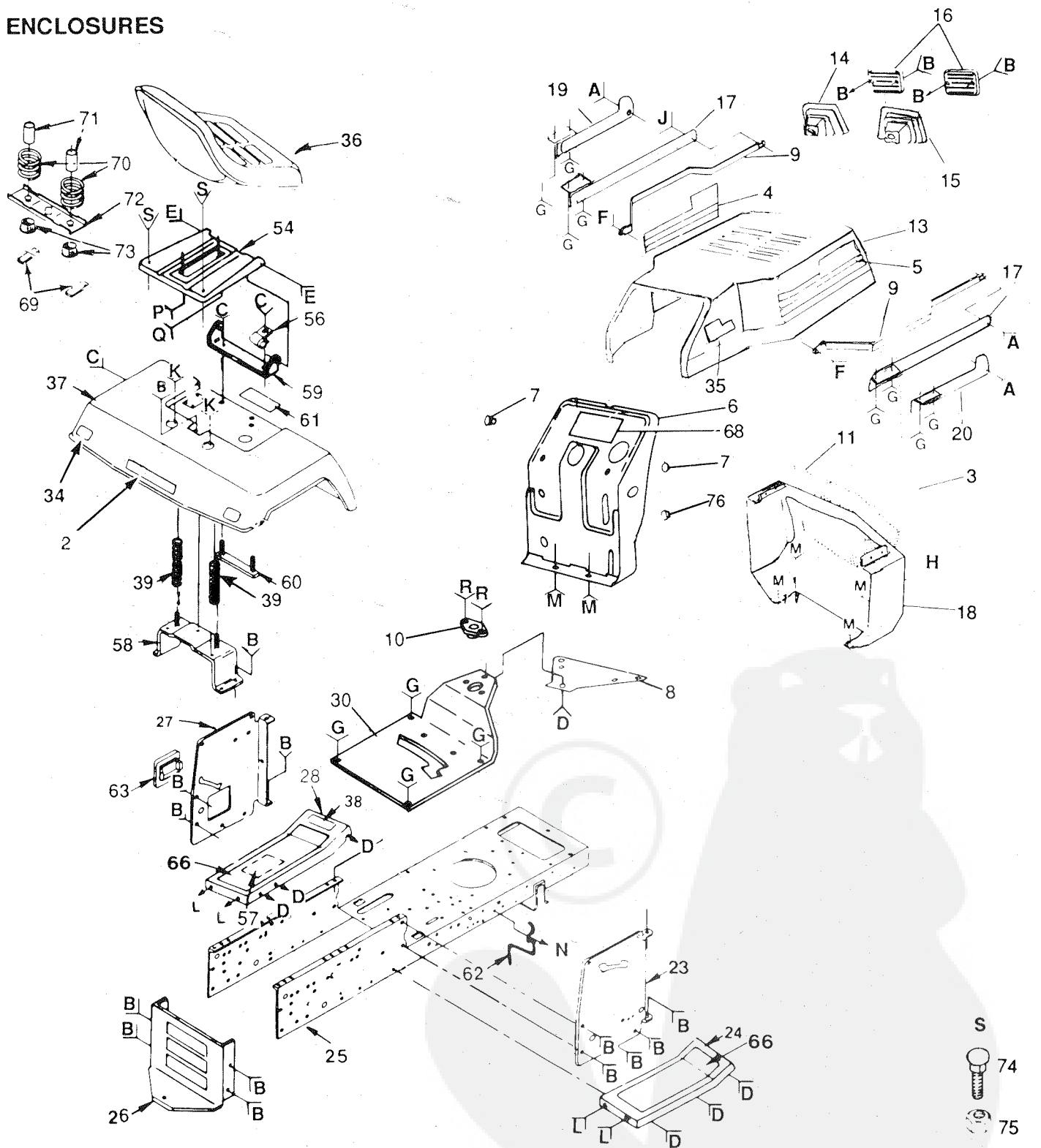


Note: All component dimensions given in U.S. inches. 1 in. = 25.4 mm

REPAIR PARTS

12 HP LAWN TRACTOR

ENCLOSURES



- | | | | | | | | | | | | | | | | |
|----------|----------|----------|----------|----------|----------|----------|----------|----------|----------|----------|----------|----------|----------|----------|----------|
| A | B | C | D | E | F | G | H | J | K | L | M | N | P | Q | R |
| | | | | | | | | | | | | | | | |
| | | | | | | | | | | | | | | | |

REPAIR PARTS

12 HP LAWN TRACTOR



ENCLOSURES

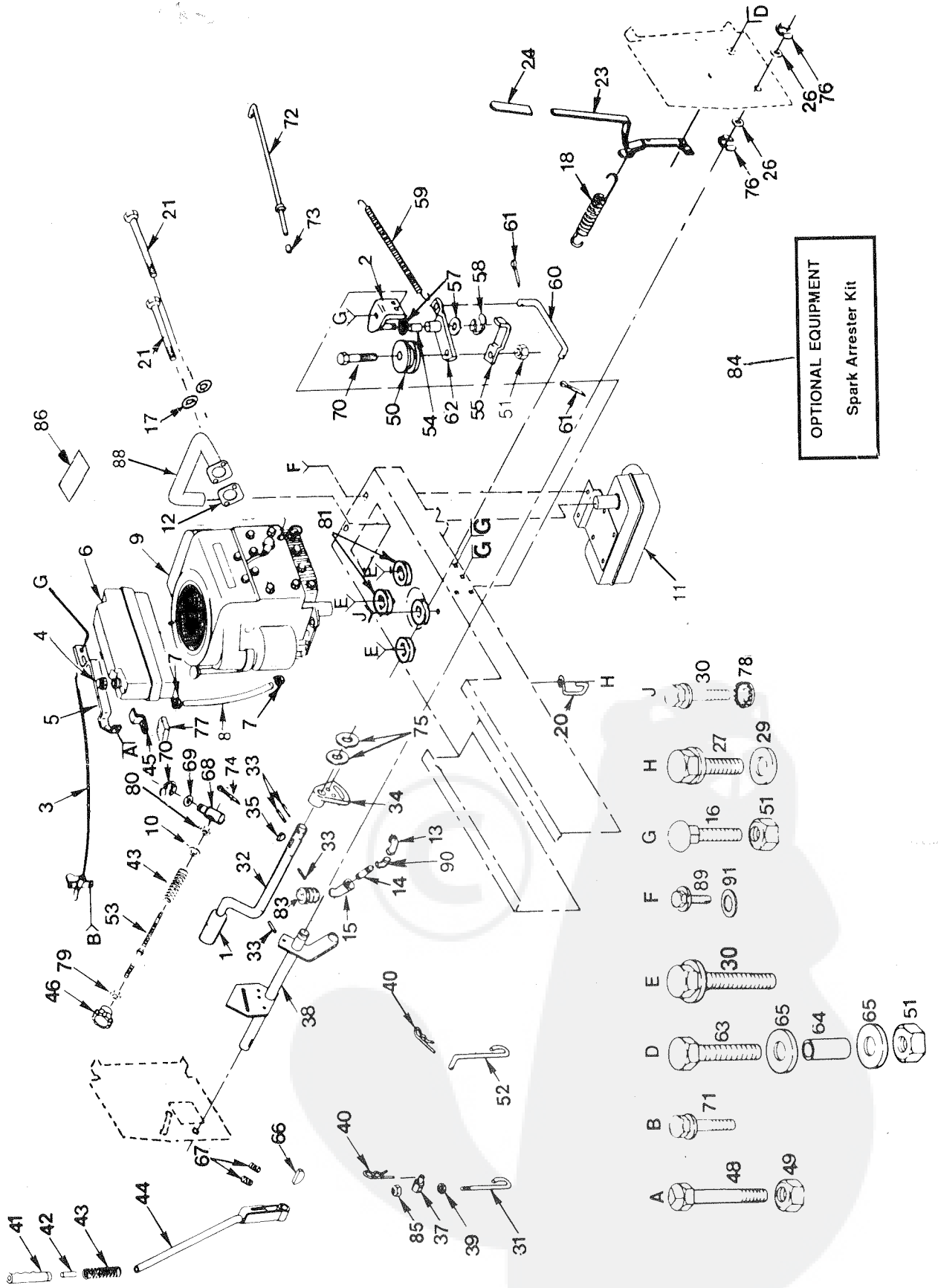
KEY. PART NO.	PART NO.	DESCRIPTION	KEY. PART NO.	PART NO.	DESCRIPTION
1	100400	Washer lock 1/4	38	1133J	Decal, clutch/brake
2	109323X	Decal, Rally logo	39	121067X	Spring, seat
3	109673X	Decal, Grill logo	40	73220400	Nut, hex 1/4
4	109753X	Decal, hood stripe, LH	41	74760612	Bolt, hex 3/8 - 16 x 3/4
5	109754X	Decal, hood stripe, RH	42	19131312	Washer 13/32 x 13/16 x 12 ga.
6	122341X	Dash	43	73680600	Nut, lock 3/8 - 16
7	8022J	Plug, dash	44	74760616	Bolt, hex. 3/8 - 16
8	106965X	Plate, support, battery	45	19090816	Washer 9/32 x 1/2 x 16 ga.
9	122196X	Grill Brace	46	17511208	Screw, hex. slotted #12 x 1/2
10	1554J	Steering bushing	47	17490612	Screw, hex. washer head 3/8 - 16 x 3/4
11	10235L	Grill screen	48	17411310	Screw, hex. washer head - special
12	17431008	Screw, hex., #10-16 x 1/2	49	81328	Shoulder bolt
13	3607J366	Hood	50	73680400	Nut, lock 1/4 - 20
14	7606J366	Bezel, LH	51	7605J	Shoulder bolt 1/4 - 20
15	7607J366	Bezel, RH	52	8019J	Washer 7/32 x 5/8 x 16 ga.
16	109671X	Lens	53	17490608	Screw, hex. washer head 3/8-16 x 1/2
17	677A432	Strap asy., hinge, rear	54	121247X	Seat pan
18	122354X366	Grill assembly	55	74760412	Bolt, hex. 1/4 - 20 x 3/4
19	677A875	Strap asy., hinge, LH	56	2751R	Clip
20	677A876	Strap asy., hinge, RH	57	109199X	Decal, v-belt, ground drive
21	19171912	Washer 17/32 x 1-3/16 x 12 ga.	58	105509X	Bracket assembly, fender
22	10040800	Washer, lock 1/2	59	105513X	Bracket, pivot, seat
23	106976X	Panel, dash, RH	60	105511X	Strap assembly, fender
24	105464X366	Footrest, RH	61	120822X	Decal, Caution
25	121277	Chassis	62	121441X	Guide, belt, lower, engine pulley, RH
26	121306X	Drawbar	63	121794X	Cover, access
27	109665X	Panel, dash, LH	64	19132012	Washer 13/32 x 1-1/4 x 12 ga.
28	105465X366	Footrest, LH	65	72140606	Bolt, carriage, 3/8 - 16 x 3/4
29	73680500	Nut, lock 5/16-18	66	108256X	Pad, footrest
30	108263X011	Saddle	67	74780816	Bolt, hex. 1/2 - 13 x 1
31	19131614	Washer 13/32 x 1 x 14 ga.	68	121892X	Decal, dash
32	121144X	Shoulder bolt	69	121251X	Foam strip
33	105529X	Shoulder bolt	70	121250X	Spring
34	106202X	Reflector	71	121249X	Spacer
35	122092X	Decal, HP and speed	72	121246X	Bracket, switch
36	110731X	Seat	73	121248X	Snap bushing
37	121663X366	Fender	74	72170410	Bolt, Carr. 1/4 - 20 x 1 - 1/4
			75	73900400	Nut, flange-lock 1/4 - 20
			76	5479J	Plug, dash

NOTE: All component dimensions given in U.S. inches.
1 inch = 25.4 mm

REPAIR PARTS

12 HP LAWN TRACTOR

POWER AND MECHANICAL CONTROLS GROUP



OPTIONAL EQUIPMENT
Spark Arrester Kit

REPAIR PARTS

12 HP LAWN TRACTOR

POWER AND MECHANICAL CONTROLS GROUP

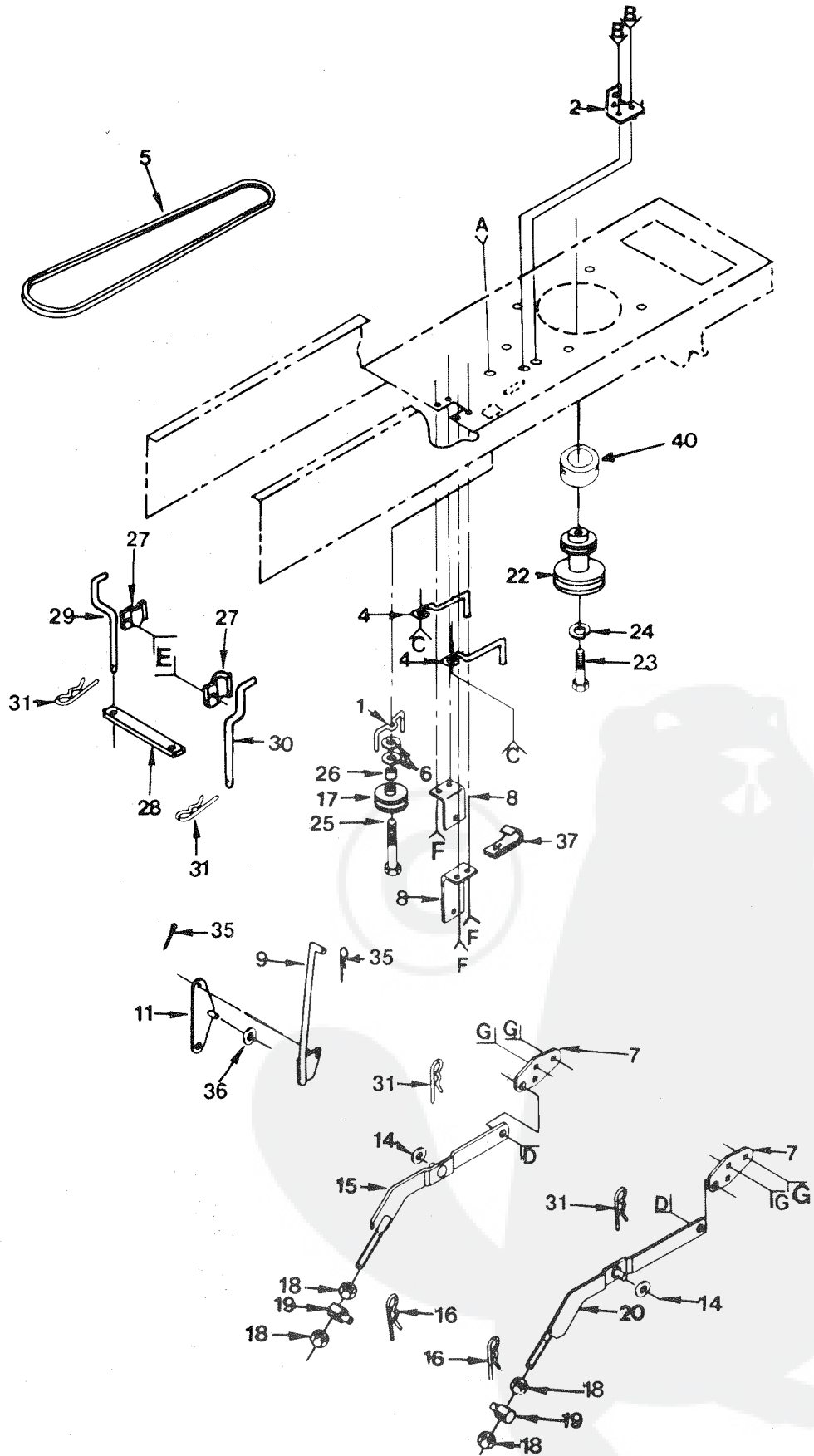
KEY. PART NO.	DESCRIPTION	KEY. PART NO.	DESCRIPTION	KEY. PART NO.	DESCRIPTION
1 8883R	Pedal Cover	31 11048X	Link, Lift, Adjustable	62 105705X	Bellcrank Assembly (inc. Key No. 54)
2 105724X	Bracket Assembly, Clutch	32 109037X	Shaft, Pedal, Foot	63 74760624	Bolt Hex 3/8 - 16 x 1 - 1/2
3 122271X	Control, Throttle	33 1572H	Roll Pin 3/16 x 1	64 108056X	Bushing, Handle, Clutch
4 8504J	Fuel Cap	34 106918X	Arm, Brake	65 19121612	Washer 3/8 x 1 x 12 Ga.
5 7155J	Support, Tank, Fuel	35 2228M	Woodruff Key	66 8330H	Woodruff Key 1/4 x 1
6 121280X	Tank, Fuel	37 110447X	Trunnion, Lift	67 23180606	Set Screw, Hex Socket Forged
7 6999R	Hose Clamp	38 120174X	Shaft, Assembly Lift		Headless 3/8 - 16 x 3/8
8 7833R	Fuel Line	39 73360700	Nut, Hex Jam 7/16 - 20		Trunnion, Stop, Depth
9 281707	Engine Briggs & Stratton, Type No. 0199-01	40 4939M	Retainer Spring		Washer 15/32 x 3/4 x 16 Ga.
10 19131016	Washer 13/32 x 5/8 x 16 Ga.	41 109413X	Grip, Handle	68 110810X	Klip Ring
11 123075X	Muffler	42 105723X	Plunger, Lever, Hand	69 19151216	Screw Hex Washer Head Thread
12 1407J	Gasket, Exhaust	43 2876H	Spring	70 12000037	Cutting 1/4 - 20 x 5/8
13 13240300	90° Street Elbow 3/8 NPT	44 121718X	Lever Assembly, Hand Kit (inc. Key No's 42, 43 and 2 each 67)	71 17720410	Rod, Brake, Park
14 13280328	Std. Pipe Nipple 3/8 - 18 NPT x 3 - 1/2	45 4297J	Brace, Tank	72 105844X	Plunger Cap
15 13200300	90° Elbow 3/8 NPT	46 100734K	Handle, Adjust Lift	73 71673	Cotter Pin 3/32 x 1/2
16 72140606	Bolt, Carriage 3/8 - 16 x 3/4	48 74780512	Bolt, Hex 5/16 - 18 x 3/4 Gr. 5	74 76020308	Washer 25/32 x 1 - 1/4 x 16 Ga.
17 10040500	Washer Lock 5/16	49 73680500	Locknut 5/16 - 18 Gr. B	75 121749X	E-Ring
18 102727X	Spring, Extension	50 106298X	Pulley, Idler	76 12000022	Pad, Spacer
20 104777X	Retainer, Belt, Chassis L.H.	52 110029X	Link, Lift	77 6431J	Washer, Lock 3/8 - Ext. Tooth
21 71070510	Screw, Hex.-Hd. Cap 5/16 - 18 x 5/8	53 110729X	Rod, Adjust, Lift	78 11050600	Nut, Hex Jam 3/8 - 16
23 106983X	Handle, Clutch Attachment	54 105706X	Bearing	79 73350600	Nut, Special
24 4617J	Grip, Handle	55 106499X	Retainer, Belt	80 110807X	Spacer
26 19292016	Washer 29/32 x 1 - 1/4 x 16 Ga.	57 110812X	Washer, Hardened	81 101200K	Oil Drain Plug
27 17490612	Screw, Hex Washer Thd. Rolling 3/8 - 16 x 3/4	58 12000039	Ring, Klip	83 13290300	Spark Arrestor Kit
29 19131312	Washer 13/32 x 13/16 x 12 Ga.	59 105709X	Spring, Return Clutch	84 122083X	Nut, Jam Crownlock 7/16 - 20
30 17490628	Screw, Hex Washer Hd. Thread Rolling 3/8 - 16 x 1 - 3/4 Type TT	60 105710X	Link, Clutch	85 73710700	Decal, maintenance
		61 76020412	Pin, Cotter 1/8 x 3/4	86 121120X	Pipe, Exhaust
				88 123073X	Screw, 5/16 - 18 x 3/4
				89 17490512	Elbow, street, 45°
				90 13310300	Washer 11/32 x 3/4 x 16 Ga.
				91 19111216	

NOTE: All component dimensions given in U.S. inches.
1 inch = 25.4 mm

REPAIR PARTS

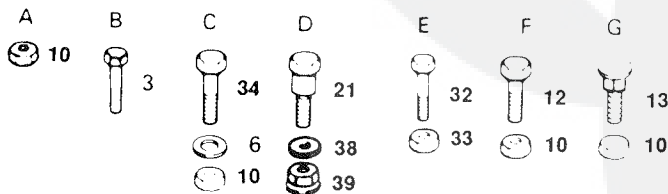
12 HP LAWN TRACTOR

DRIVE GROUP

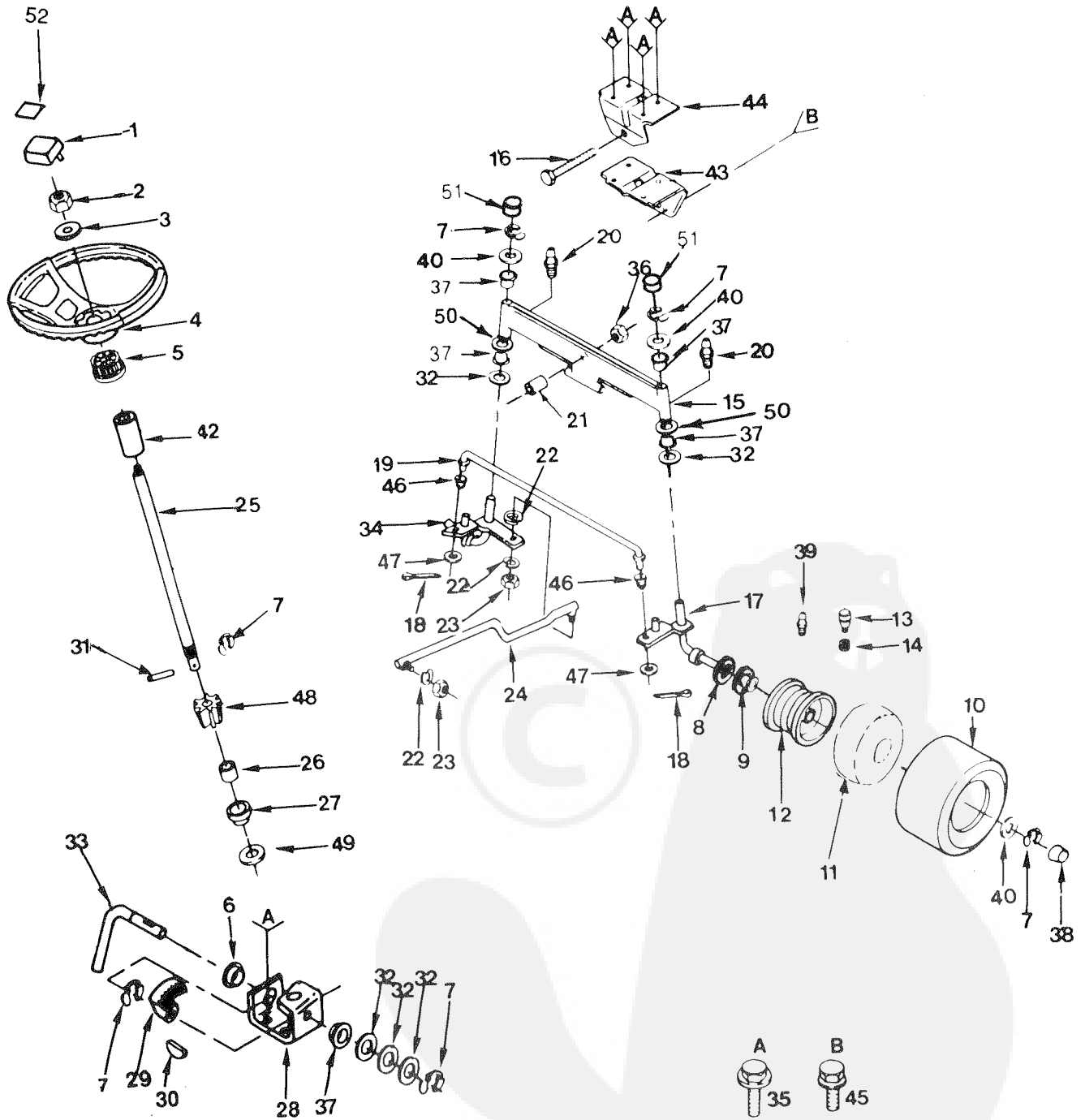


KEY. NO.	PART NO.	DESCRIPTION
1	109070X	Keeper, Belt
2	108236X	Bracket, Switch
3	17021008	Screw, Tap. Hex Hd. 10 - 24 x 1/2
4	105730X	Keeper, Belt, Engine
5	120302X	V-Belt, Drive
6	19131312	Washer 13/32 x 13/16 x 12 Ga.
7	105864X	Bracket, Suspension
8	106444X	Bracket, Bellcrank
9	108451X	Rod Assembly, Clutch Primary
10	73680600	Nut, Crownlock 3/8 - 16
11	109728X	Bellcrank Assembly
12	74760612	Bolt, Hex 3/8 - 16 x 3/4
13	72140606	Bolt, Rd. Hd. Sq. Neck 3/8 - 16 x 3/4
14	19171516	Washer 17/32 x 15/16 x 16 Ga.
15	121599X	Arm Assembly, Suspension, L.H.
16	9135R	Retainer, Spring
17	4859J	Idler, Flat
18	73220800	Nut, Hex 1/2 - 13
19	106308X	Trunnion, Lift Lower
20	121598X	Arm Assembly, Suspension R.H.
21	105848X	Bolt, Shoulder 3/8 - 16
22	105731X	Pulley, Engine
23	74770728	Bolt, Hex 7/16 - 20 x 1 - 3/4
24	10040700	Washer, Lock
25	74760644	Bolt, Hex 3/8 - 16 x 2 - 3/4
26	4470J	Spacer
27	106190X	Clamp
28	109370X	Strap, Locater
29	109368X	Keeper, Belt, L.H.
30	109369X	Keeper, Belt, R.H.
31	4921H	Spring, Retainer
32	74760512	Bolt, Hex 5/16 - 18 x 3/4
33	73680500	Nut, Lock 5/16 - 18
34	74760616	Bolt, Hex 3/8 - 16 x 1
35	76020412	Pin, Cotter 1/8 x 3/4
36	19131410	Washer, 13/32 x 7/8 x 10 Ga.
37	5320R	Clip, Insulated
38	110739X	Washer, Spring
39	73980600	Nut, Flange Lock 3/8
40	6404J	Spacer

NOTE: All component dimensions given in U.S. inches.
1 inch = 25.4 mm



STEERING, FRONT AXLE AND WHEELS



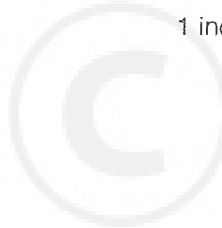
REPAIR PARTS

12 HP LAWN TRACTOR

STEERING, FRONT AXLE AND WHEELS

KEY. PART NO.	PART NO.	DESCRIPTION	KEY. PART NO.	PART NO.	DESCRIPTION
1	100710L	Insert, Steering Wheel	29	108684X	Gear, Sector
2	73940800	Nut, Hex Jam Toplock 1/2 - 20	30	106126X	Woodruff Key 3/16 x 3/4
3	100712K	Washer 17/32 x 2 - 1/4 x .160	31	2882J	Drive Pin 3/16 x 1
4	100713N	Steering Wheel	32	6266H	Bearing Thrust
5	110711L	Adapter, Steering Wheel	33	108683X	Rod, Steering
6	109816X	Nyliner, Snap-in	34	105656X	Spindle Assembly, L.H.
7	12000029	Klipring	35	17490612	Screw, Hex Washer Thd. Thread Forming Type TT 3/8 - 16 x 3/4
8	121749X	Washer 25/32 x 1 - 1/4 x 16 Ga.	36	73901000	Nut, Flange 5/8 - 11
9	9040H	Bearings, Wheel, Front	37	3366R	Bearing
10	106222X	Tire, 15 x 6.00 - 6 (Tubeless)	38	104757X	Cap, Hub, Front
11	59904	Tube, Tire (not furnished with Tractor)	39	278H	Grease Fitting
12	106732X	Rim Assembly - 6" Front (Inc. 2 each Key No. 9)	40	121748X	Washer 25/32 x 1 - 5/8 x 16 Ga.
13	65139	Stem, Valve	42	100714L	Tube, Shaft, Steering
14	59192	Cap, Valve	43	105664X	Support, Saddle, Front
15	108076X	Axle Assembly, Front	44	105663X	Support, Saddle, Rear
16	74761060	Bolt, Hex 5/8 - 11 x 3 - 3/4	45	17490508	Screw, Hex Washer Thd. Rolling 5/16 - 18 x 1/2
17	105654X	Spindle Assembly, R.H.	46	120754X	Bushing
18	76020412	Pin, Cotter 1/8 x 3/4	47	19131416	Washer 13/32 x 7/8 x 16 Ga.
19	105715X	Tie Rod	48	108685X	Gear, Pinion
20	6855M	Fitting, Grease	49	101930X	Washer, Hardened
21	110438X	Spacer Bearing, Front Axle	50	19272016	Washer 27/32 x 1 - 1/4 x 16 Ga.
22	10040600	Lockwasher 3/8	51	121232X	Spindle Cap
23	73610600	Nut, Hex 3/8 - 24	52	109325X	Decal, Steering
24	105727X	Drag Link			
25	108705X	Shaft, Steering			
26	74580	Spacer			
27	71208	Bushing, Steering Rod			
28	109432X	Bracket Assembly, Steering			

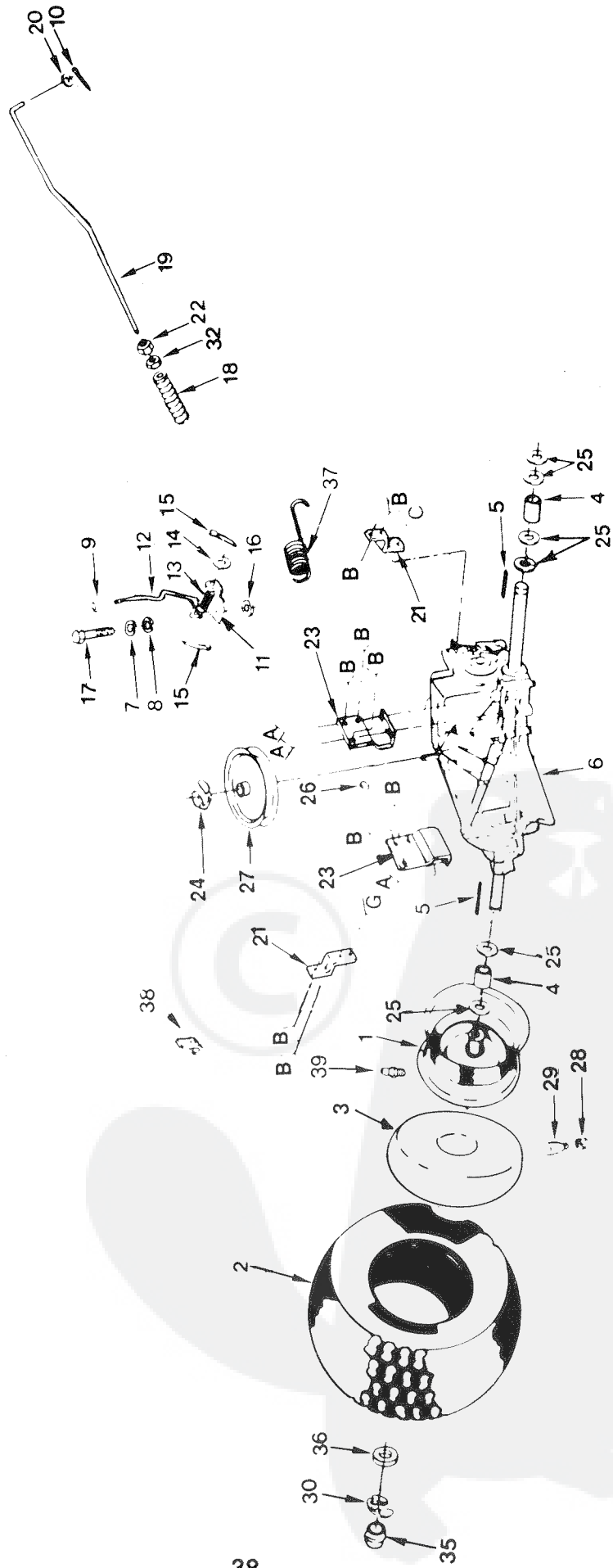
NOTE: All component dimensions given in U.S. inches.
1 inch = 25.4 mm



REPAIR PARTS

12 HP LAWN TRACTOR

TRANSAXLE AND REAR WHEEL



REPAIR PARTS

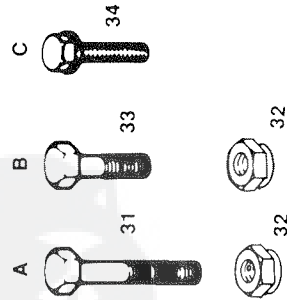
12 HP LAWN TRACTOR

TRANSAXLE AND REAR WHEEL

KEY. PART NO.	DESCRIPTION	KEY. PART NO.	DESCRIPTION
1	106108X Rim Assembly - 8" Rear	21	121520X Strap, Torque
2	106268X Tire 18 x 9.50 - 8 (Tubeless)	22	73350600 Nut, Hex Jam 3/8 - 16
3	7152J Tube, Tire (not furnished with Tractor)	23	109167X Bracket, Transaxle
4	109502X Spacer, Split	24	12000028 Ring, Retainer
5	2703J Key, Square 3/16 x 2	25	121749X Washer 25/32 x 1 - 1/4 x 16 Ga.
6	4360-7 Transaxle Foot 6 Speed (see pages 42 and 43 for parts breakdown)	26	2228M Woodruff Key 3/16 x 3/4
7	1004040 Washer, Lock 1/4	27	105703X Pulley, Input Transaxle
8	19091210 Washer 9/32 x 3/4 x 10 Ga.	28	59192 Cap, Valve
9	106933X Knob, Control	29	65139 Stem, Valve
10	76020412 Cotter Pin 1/8 x 3/4	30	12000001 E-Ring
11	106919X Plate, Rod, Shift	31	74760644 Bolt, Hex 3/8 - 16 x 2 - 3/4
12	121728X Rod, Shifter	32	73680600 Nut, 3/8 - 16
13	105700X Spring, Torsion	33	74760612 Bolt, Hex 3/8 - 16 x 3/4
14	19151216 Washer 15/32 x 3/4 x 16 Ga.	34	17490512 Screw Hex Washer Hd. Thd. Form. Type TT 5/16 - 18 UNC x 3/4
15	76020416 Pin, Cotter 1/8 x 1	35	104757X Cap, Hub, Rear
16	105710X Washer, Shift Plate	36	121748X Washer 25/32 x 1 - 5/8 x 16 Ga.
17	71040412 Bolt, Hex 1/4 - 28 x 3/4 Gr. 8	37	110422X Spring, Brake Return
18	106888X Spring, Rod, Brake	38	2751R Clip, Fuel Line
19	110437X Rod, Brake	39	278H Grease, Fitting
20	19131316 Washer 13/32 x 13/16 x 16 Ga.		

NOTE: All component dimensions given in U.S. inches.

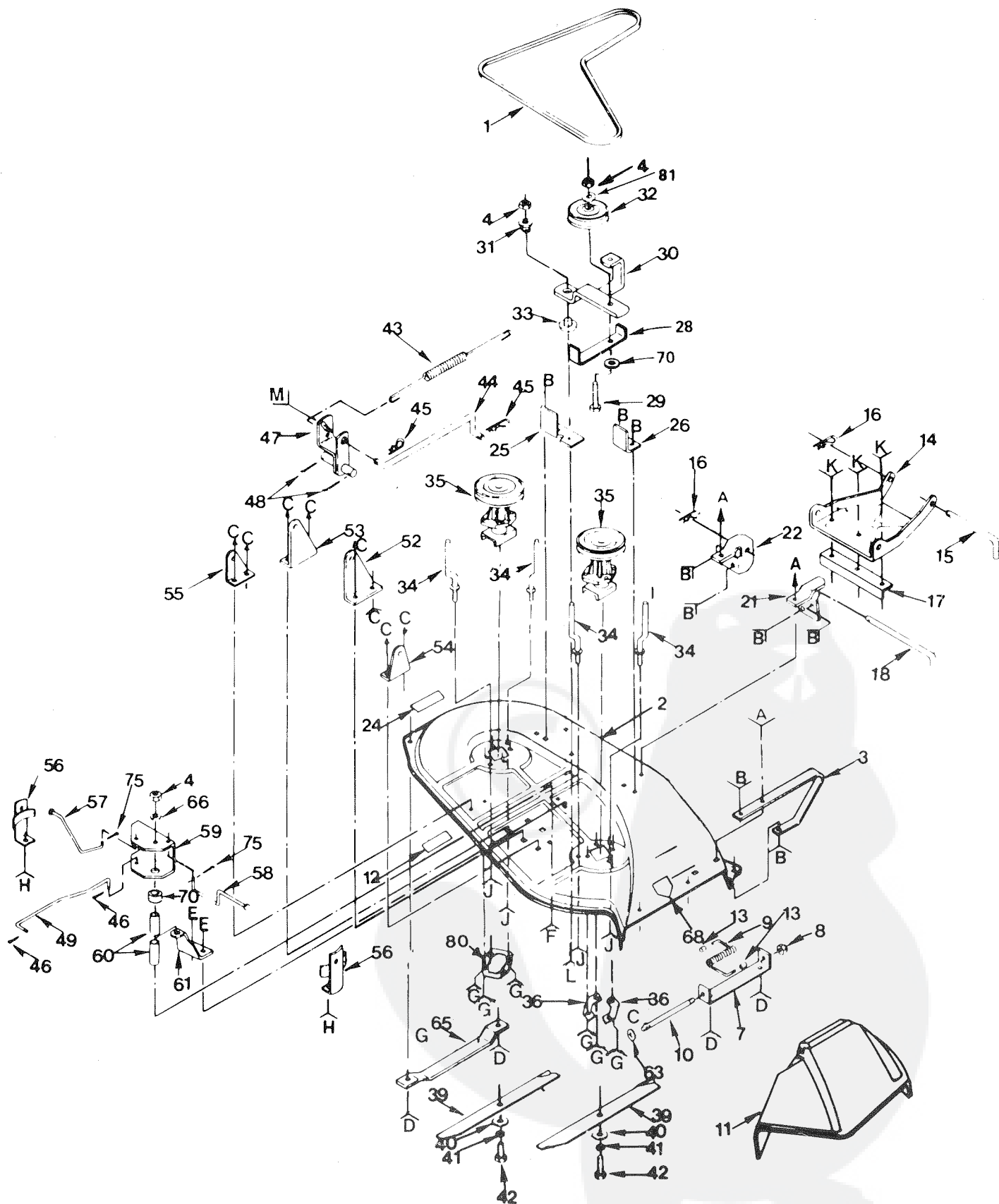
1 inch = 25.4 mm



REPAIR PARTS

12 HP LAWN TRACTOR

38" MOWER



REPAIR PARTS

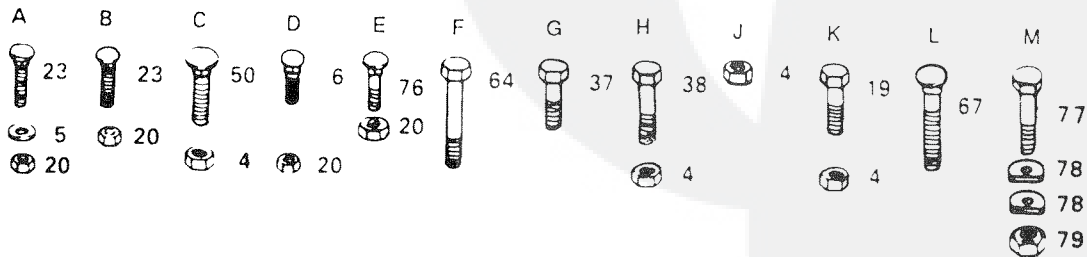
12 HP LAWN TRACTOR

38" MOWER

KEY. PART NO.	DESCRIPTION
1 106085X	V-Belt
2 121259X	Housing
3 8417J	Runner R.H.
4 73680600	Nut, Lock 3/8 - 16
5 19111216	Washer 11/32 x 3/4 x 16 Ga.
6 72140505	Bolt, Carr., 5/16 - 18 x 5/8
7 105896X	Bracket, Deflector
8 110452X	Push Nut
9 106734X	Spring, Deflector
10 106735X	Rod, Hinge
11 106736X	Deflector, Shield
12 105814X	Decal, V-Belt Mower Drive
13 105304X	Cap
14 105662X	Link, Parallel
15 105744X	Pin, Hinge, Front
16 4921H	Spring, Retainer
17 105872X	Stop, Link
18 109835X	Pin, Hinge, Rear
19 74760612	Bolt 3/8 - 16 x 3/4
20 73680500	Nut, Lock 5/16 - 18
21 109598X	Bracket, Lift R.H.
22 109597X	Bracket, Lift L.H.
23 72140506	Bolt, Carriage 5/16 - 18 x 3/4
24 109820X	Instruction, Caution Decal
25 109503X	Support, Arm
26 109504X	Stop, Deck, Front
28 121317x	Guide, Belt
29 74760632	Bolt 3/8 - 16 x 2
30 108832X	Arm, Idler Assembly
31 106902X	Spacer
32 121316X	Pulley, Idler
33 106513X	Washer, Wear 1/16
34 102669X	Keeper, Belt
35 121687X	Mandrel, Assembly
36 100668L	Plate, Support, Mandrel
37 17490612	Screw, Hex Washer Hd. 3/8 - 16 x 3/4
38 17490620	Screw, Hex Washer Hd. 3/8 - 16 x 1 - 1/4

KEY. PART NO.	DESCRIPTION
39 122264X	Blade
40 19132012	Washer 13/32 x 1 - 1/4 x 12 Ga.
41 10030600	Washer, Lock 3/8
42 74610624	Bolt, Hex 3/8 - 24 x 1 - 1/2 Gr. 5
43 108250X	Spring, Ext.
44 108235X	Rod, Clutch, Mower
45 4921H	Spring, Retainer
46 76020312	Pin, Cotter 3/32 x 3/4
47 109892X	Rock Shaft Assembly
48 76020616	Pin, Cotter 3/16 x 1
49 108247X	Rod, Brake, Primary
50 72140606	Bolt, Carriage 3/8 - 16 x 3/4
52 108243X	Bracket, Pivot R.H.
53 108241X	Bracket, Pivot L.H.
54 105857X	Bracket, Susp., Rear R.H.
55 108673X	Bracket, Susp., Rear L.H.
56 106578X	Brake Assembly
57 106463X	Rod, Brake, Secondary L.H.
58 108249X	Rod, Brake, Secondary R.H.
59 106456X	Bracket, Brake, Pivot
60 100672K	Spacer, Brake
61 100673L	Bracket, Support
63 19111016	Washer 11/32 x 5/8 x 16 Ga.
64 74760688	Bolt 3/8 - 16 x 5 - 1/2
65 7631J	Runner L.H.
66 19131614	Washer 13/32 x 1 x 14 Ga.
67 72140610	Bolt, Carriage 3/8 - 16 x 1 - 1/4
68 121349X	Decal, Warning
70 122314X	Spacer
75 76020308	Pin, Cotter 3/32 x 1/2
76 72110506	Bolt, Carriage 5/16 - 18 x 3/4
77 74760412	Bolt Hex 1/4 x 20 x 3/4
78 109893X	Washer, Special
79 73680400	Nut, Lock 1/4 - 20
80 110445X	Plate, Support L.H.
81 19131316	Washer, 13/32 x 13/16 x 16 Ga.

NOTE: All component dimensions given in U.S. inches.
1 inch = 25.4 mm

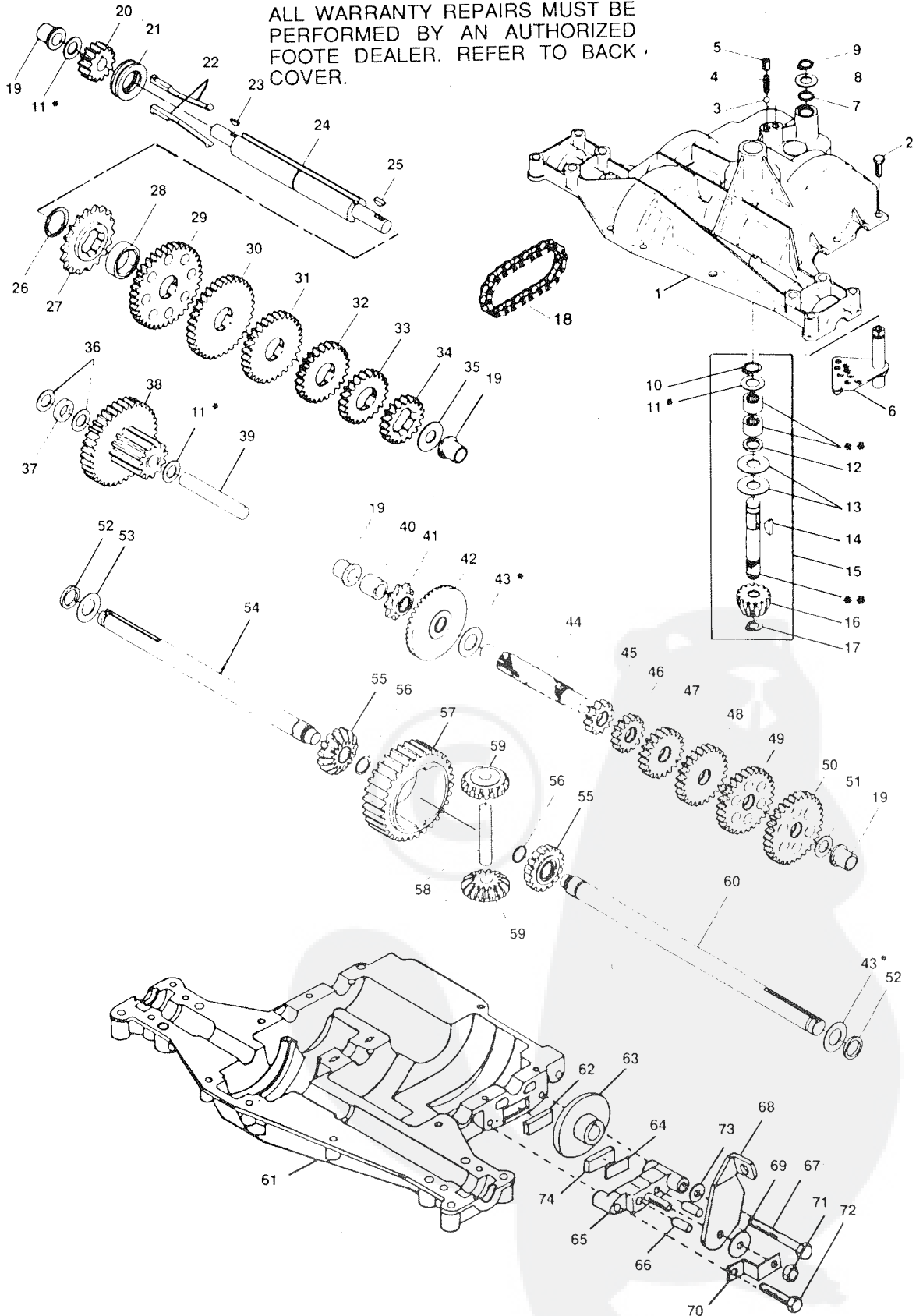


REPAIR PARTS

12 HP LAWN TRACTOR
TRANSAXLE FOOTE - - MODEL NUMBER 4360-7

TRANSAXLE

ALL WARRANTY REPAIRS MUST BE PERFORMED BY AN AUTHORIZED FOOTE DEALER. REFER TO BACK COVER.



REPAIR PARTS

12 HP LAWN TRACTOR

TRANSAXLE TRANSAXLE FOOTE -- MODEL NUMBER 4360-7

KEY. PART NO.	PART NO.	DESCRIPTION
1	3865	Housing, Upper
2	1919	Screw, Tapping 1/4 - 20 x .734 Lg.
3	1151	Ball, Detent
4	3626	Spring, Detent
5	3623	Screw, Set
6	4336	Assembly, Shifter
7	3884	O-Ring
8	3885	* Washer, Plain, .505 x .942 x .006
8	3886	* Washer, Plain, .505 x .942 x .010
8	3887	* Washer, Plain, .505 x .942 x .015
8	3888	* Washer, Plain, .505 x .942 x .020
8	3889	* Washer, Plain, .505 x .942 x .026
8	3121	* Washer, Plain, .505 x .942 x .030
8	3890	* Washer, Plain, .505 x .942 x .040
9	1100	Ring, Retaining
10	1099	Ring, Retaining
11	1959	* Washer, Plain, .632 x 1.00 x .010
11	1441	* Washer, Plain, .632 x 1.00 x .020
11	1423	* Washer, Plain, .632 x 1.00 x .026
11	1082	* Washer, Plain, .632 x 1.00 x .031
11	1424	* Washer, Plain, .632 x 1.00 x .036
11	1068	* Washer, Plain, .632 x 1.00 x .041
11	1425	* Washer, Plain, .632 x 1.00 x .046
11	1358	* Washer, Plain, .632 x 1.00 x .050
11	1145	* Washer, Plain, .632 x 1.00 x .060
11	1319	* Washer, Plain, .632 x 1.00 x .082
12	3312	O-Ring
13	3876	Washer, Plain, .632 x 1.38 x .046
14	1374	Key, Woodruff, #9
15	4134	Assembly Kit, Input Shaft
16	3590	Pinion, Bevel, 14T.
17	3624	Ring, Retaining
18	3625	Chain, 24 Pitches
19	1542	Bearing, Flange
20	3773	Gear, Spur, 14T.
21	3631	Collar, Clutch
22	3828	Key, Clutch
23	1369	Key, Woodruff, #3
24	3883	Shaft, Intermediate
25	1375	Key, Woodruff, #61
26	3627	Ring, Retaining
27	3830	Sprocket, 18T.
28	3841	Spacer
29	3786	Gear, Spur, 37T.
30	3785	Gear, Spur, 35T.
31	3867	Gear, Spur, 30T.
32	3783	Gear, Spur, 25T.
33	3869	Gear, Spur, 22T.
34	3741	Gear, Spur, 19T.
35	3628	Washer, Plain, .640 x 1.37 x .061
36	1423	Washer, Plain, .632 x 1.00 x .026
37	3422	Spacer, .630 x 1.00 x .169
38	4286	Assembly, Gear, Combo., 12T. & 35T.
39	3877	Shaft, Idler
40	3901	Spacer, .635 x .875 x .755

KEY. PART NO.	PART NO.	DESCRIPTION
41	3645	Sprocket, 9T.
42	3853	Gear, Bevel, 42T.
43	3749	* Washer, Plain, .758 x 1.12 x .010
43	3652	* Washer, Plain, .758 x 1.12 x .015
43	3693	* Washer, Plain, .758 x 1.12 x .020
43	3653	* Washer, Plain, .758 x 1.12 x .025
43	3408	* Washer, Plain, .758 x 1.25 x .020
43	3732	* Washer, Plain, .758 x 1.25 x .025
43	3184	* Washer, Plain, .758 x 1.25 x .031
43	3733	* Washer, Plain, .758 x 1.25 x .035
43	3198	* Washer, Plain, .758 x 1.25 x .040
43	3734	* Washer, Plain, .758 x 1.25 x .045
43	3735	* Washer, Plain, .758 x 1.25 x .050
43	3736	* Washer, Plain, .758 x 1.25 x .055
43	3180	* Washer, Plain, .758 x 1.25 x .062
44	3882	Shaft, Drive
45	3646	Gear, Spur, 12T.
46	3707	Gear, Spur, 15T.
47	3866	Gear, Spur, 20T.
48	3719	Gear, Spur, 25T.
49	3868	Gear, Spur, 28T.
50	3683	Gear, Spur, 31T.
51	1145	Washer, Plain, .632 x 1.00 x .060
52	3191	Seal, Felt
53	3180	Washer, Plain, .758 x 1.25 x .062
54	3880	Axle, L.H.
55	3780	Gear, Miter, 15T.
56	3656	Ring, Retaining
57	3839	Gear, Spur, 32T.
58	3919	Shaft, Cross
59	3781	Gear, Miter, 15T.
60	3881	Axle, R.H.
61	3864	Housing, Lower
62	3920	Puck, Friction
63	3276	Disc, Brake
64	3758	Spacer
65	3916	Jaw, Brake
66	3843	Pin, Dowel
67	3915	Screw, Tapping 5/16 - 18 x 2.25
68	3768	Lever, Actuating
69	3760	Washer, Plain, .321 x 1.00 x .055
70	3917	Bracket, Anti-Rotation
71	3847	Nut, Lock 5/16 - 24
72	3724	Screw, Tapping 5/16 - 18 x 1.44 Lg.
73	3906	Washer, Plain, .343 x .81 x .059
74	3907	Puck, Friction
75	4300	Grease

* Use in various combinations to maintain proper clearances.

** Order Key No. 15.

NOTE: All component dimensions given in U.S. inches.
1 inch = 25.4 mm