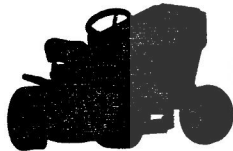
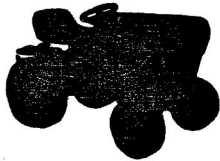


OWNER'S MANUAL

10 H.P. 36 INCH
RIDING LAWN MOWER
MODEL NUMBER L0232AR



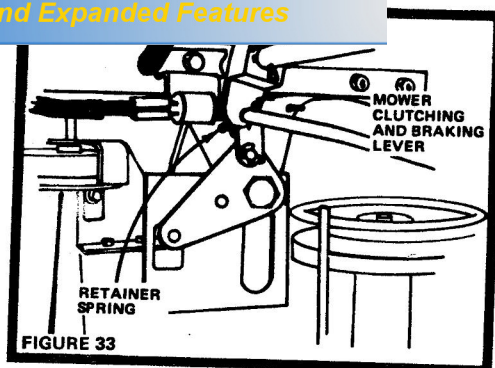
LAWN AND GARDEN
OUTDOOR POWER EQUIPMENT

ROPER

OUTDOOR POWER PRODUCTS

DIVISION OF ROPER CORPORATION

1905 WEST COURT STREET
KANKAKEE, ILLINOIS 60901



TO REMOVE MOWER

1. Remove mower belt per instructions on page 15 under "To Remove Mower Belt".
2. Retighten mower idler pulley loosened in step 3, page 15.
3. Remove Retainer Spring from L.H. Brake Rod (Fig. 33). Remove Brake Rod from Mower Clutching and Braking Lever. Repeat process and remove R.H. Brake Rod.
4. Remove nuts, bolts and washers from R.H. Front Slide Bracket carefully - THE FRONT OF THE MOWER WILL COME DOWN AS THE BRACKET IS REMOVED.
5. Remove nuts securing the R.H. and L.H. Lift Brackets at the rear of the Mower. THE REAR OF THE MOWER WILL COME DOWN AS THE BRACKETS ARE REMOVED.
6. Pull mower from underneath tractor from right side.

TO REPLACE MOWER

1. Reposition mower under tractor.
2. Reverse steps 1 through 6 under "To Remove Mower", page 16.
3. Reinstall mower belt, reverse steps 1 through 6, under "To Remove Mower Belt", page 15.

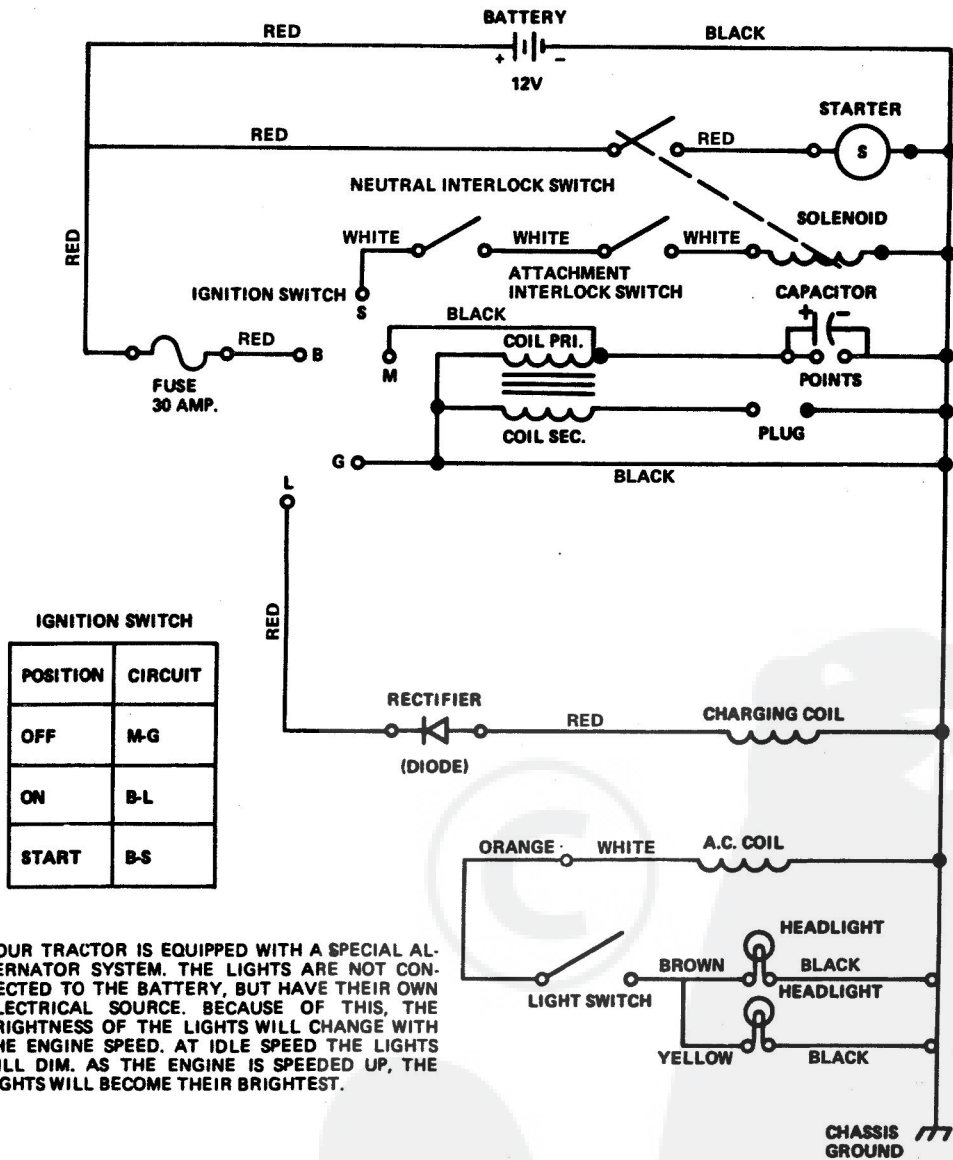
STORAGE

When mower is to be stored for a period of time, clean it thoroughly, remove all dirt, grease, leaves, etc. Give blades and underside of housing a good coat of grease or rust preventative. Store in a clean dry area.

Roper Corporation reserves the right to make any changes in design or improvements without imposing any obligation to install the same upon its items heretofore manufactured.

ROPER LAWN TRACTOR--MODEL NUMBER L0232AR

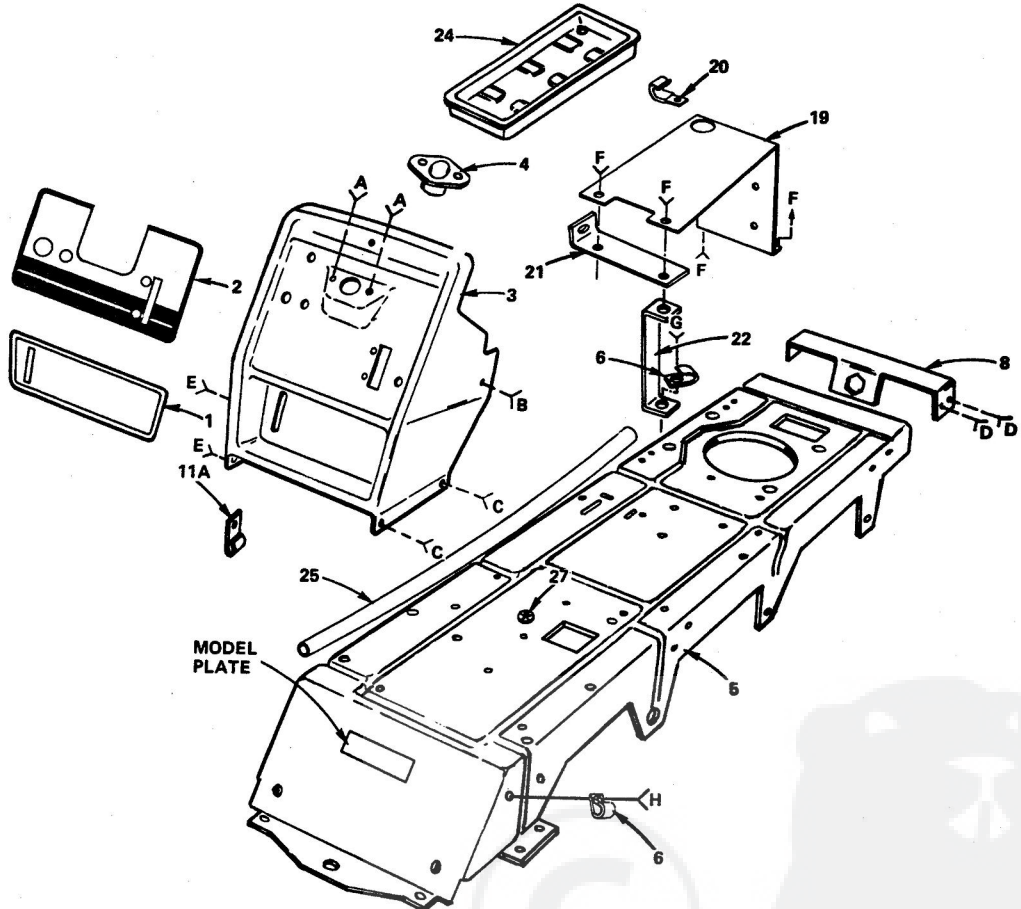
SCHEMATIC DIAGRAM



WIRING INSULATED CLIPS

If Insulated Clips and Wire Tie were removed for servicing of unit, they should be replaced to properly secure your wiring.

**ROPER LAWN TRACTOR—MODEL NUMBER L0232AR
DASHBOARD AND CHASSIS**



- | | | | | | | | |
|----------|----------|----------|----------|----------|----------|----------|----------|
| A | B | C | D | E | F | G | H |
| | | | | | | | |
| | | | | | | | |
| | | | | | | | |

REPAIR PARTS

ROPER LAWN TRACTOR--MODEL NUMBER L0232AR

DASHBOARD AND CHASSIS

KEY NO.	PART NO.	DESCRIPTION	KEY NO.	PART NO.	DESCRIPTION
1	7747J	Decal - Lower Dash	12	3010P	*Bolt, Hex 5/16 - 18 x 3/4
2	7746J	Decal - Upper Dash	13	532P	Nut, Keps 5/16 - 18 UNC
3	678H649	Dashboard	14	3021P	*Bolt, Hex 3/8 - 16 x 3/4
4	1554J	Bushing, Steering	15	545P	Nut, Crownlock 3/8 - 16 UNC
5	678H662	Chassis Assembly (Less Model Plate)	17	5612P	Screw, Hex Washer Hd. Thd. Form 5/16 - 18 x 1/2
6	9297R	Insulated Clip	18	575P	Nut - Crownlock 5/16 - 18 UNC
7	6072P	Machine Screw - Cross Recess Pan Head No. 10 - 24 x 1 - 1/4	19	678H663	Base - Battery
8	678H494	Axle Support	20	2751R	Clip - Line, Fuel
9	5614P	Screw, Hex Washer Hd. Type AB No. 10 x 1/2	21	678H454	Support - Side, Battery
10	7206J	Spacer - Split	22	678H453	Support - Leg, Battery
11	572P	Nut, Keps No. 10 - 24 UNC	23	1654P	Washer 11/32 x 3/4 x 12 Ga.
11A	2521R	Insulated Clip	24	7603J	Battery Tray
			25	7697J	Battery Drain Tube
			26	3009P	*Bolt, Hex 5/16 - 18 x 5/8
			27	3807R	Bushing - Universal
			--	7728J	Owners Manual

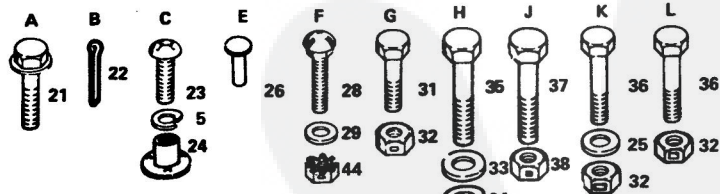
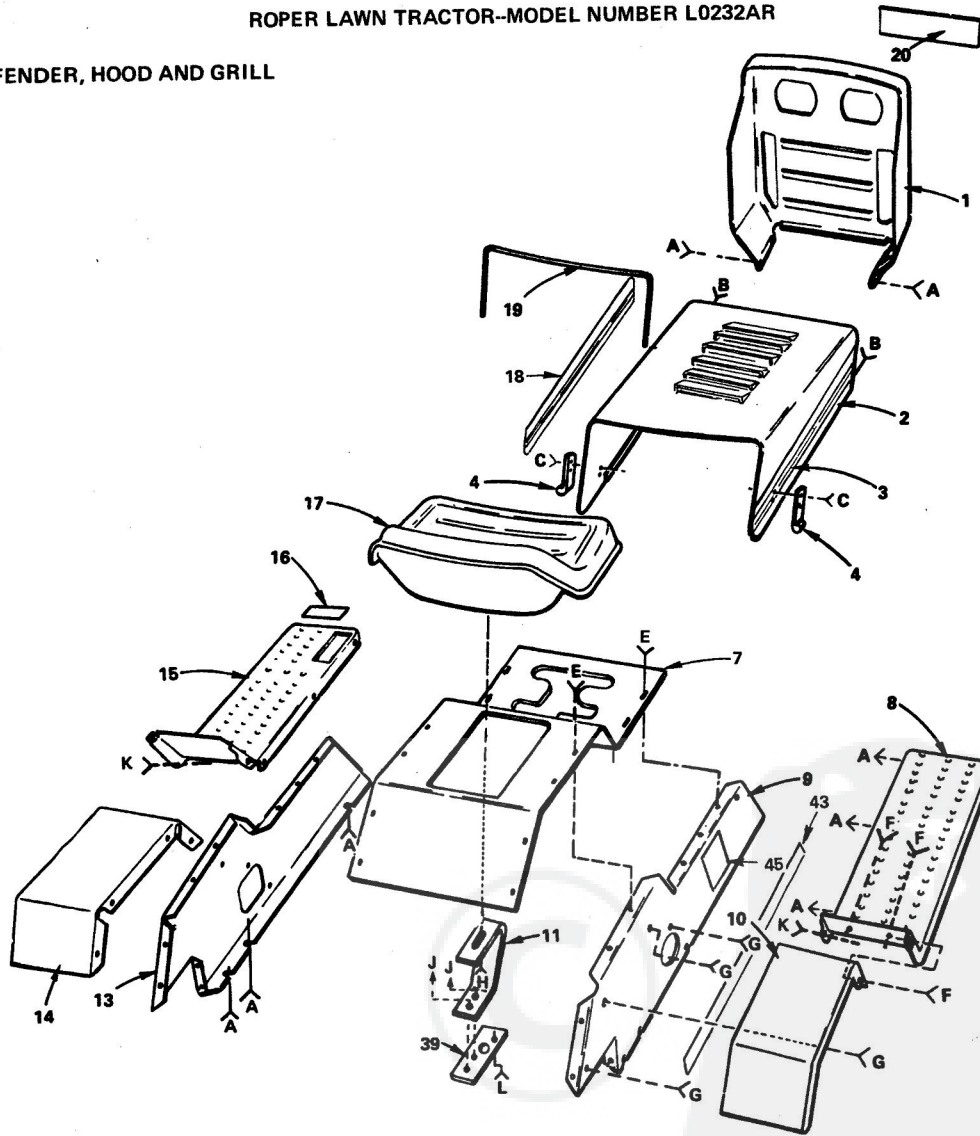
*STANDARD HARDWARE--PURCHASE LOCALLY



REPAIR PARTS

ROPER LAWN TRACTOR--MODEL NUMBER L0232AR

FENDER, HOOD AND GRILL



REPAIR PARTS

ROPER LAWN TRACTOR-MODEL NUMBER L0232AR

FENDER, HOOD AND GRILL

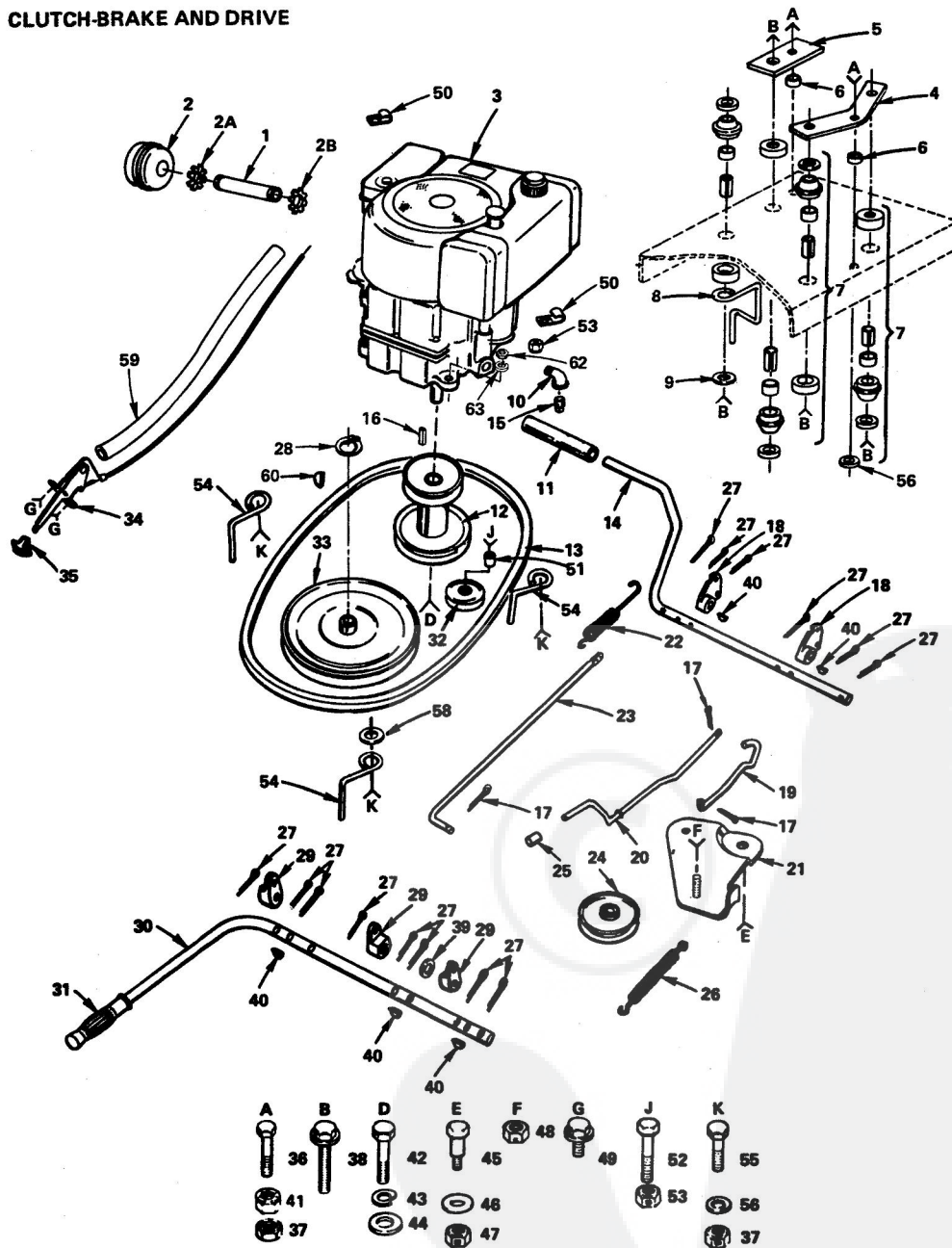
KEY NO.	PART NO.	DESCRIPTION	KEY NO.	PART NO.	DESCRIPTION
1	678H679	Grill	23	3359P	*Screw, Machine Cross Recess Pan Hd. No. 10 - 24 x 1/2
2	678H656	Hood Assembly	24	2029J	Nut, Weld
3	7742J	Decal - Hood, R.H.	25	1599P	Washer 11/32 x 3/4 x 16 Ga.
4	8889R	Rubber Hood Latch	26	2015P	Pop Rivet
5	1006P	*Lockwasher No. 10 Heavy	28	72110404	Bolt, Carriage Short Shoulder 1/4 - 20 x 1/2 Gr. 5
7	674A185	Top Panel with Silk Screen	29	1507P	Washer 9/32 x 3/4 x 16 Ga.
8	678H654	Foot Rest - R.H.	31	3008P	Bolt, Hex 5/16 - 18 x 1/2
9	678H657	Side Panel - R.H.	32	575P	Nut, Crownlock 5/16 - 18 UNC
10	678H651	Fender - R.H.	33	1661P	Washer 17/32 x 1 - 3/16 x 12 Ga.
11	677H950	Spring Seat	34	1412P	*Lockwasher, Spring 1/2
13	678H658	Side Panel - L.H.	35	3042P	*Bolt, Hex 1/2 - 13 x 1
14	678H652	Fender - L.H.	36	3010P	*Bolt, Hex 5/16 - 18 x 3/4
15	678H653	Foot Rest - L.H.	37	3023P	*Bolt, Hex 3/8 - 16 x 1
16	7745J	Decal - Brake, Clutch	38	545P	Nut, Crownlock 3/8 - 16 UNC
17	1496J	Seat	39	678H456	Washer - Seat
18	7743J	Decal - Hood, L.H.	43	7923J	Tape - Stripe, R.H. & L.H.
19	8937R	Hood Strip	44	73510400	Nut - Keps 1/4 - 20 UNC
20	8172J	Decal - Grill	45	7748J	Decal - Panel, R.H. & L.H. (4 Speed)
21	5612P	Screw, Hex Washer Hd. Thrd. Form. 5/16 - 18 x 1/2			
22	2503P	*Cotter Pin 3/32 x 3/4			

*STANDARD HARDWARE-PURCHASE LOCALLY

REPAIR PARTS

ROPER LAWN TRACTOR--MODEL NUMBER L0232AR

CLUTCH-BRAKE AND DRIVE



REPAIR PARTS

ROPER LAWN TRACTOR--MODEL NUMBER L0232AR

CLUTCH-BRAKE AND DRIVE

KEY NO.	PART NO.	DESCRIPTION	KEY NO.	PART NO.	DESCRIPTION
1	7107J	Pipe - Muffler	33	1631J	Transaxle Pulley
2	420J	Muffler	34	3375J	Throttle Control (Inc. Key No. 35)
2A	9540H	Locknut - Conduit	35	61159	Knob - Throttle Control
2B	7106J	Locknut - Conduit	36	3400P	Bolt, Hex Whiz Lock 5/16 - 18 x 1 - 1/2 Gr. I
3	220707	Engine, 10 H.P. Type No. 0147-01	37	575P	Nut, Crownlock 5/16 - 18 UNC
4	1532J	Engine Torque Strap	38	5613P	Screw, Hex Washer Hd. Thread Rolling Type TT 3/8 - 16 x 2 - 1/2
5	1531J	Torque Strap L.H.	39	1580P	Washer 21/32 x 1 x 16 Ga.
6	4473J	Spacer - Strap, Torque	40	9858M1	Woodruff Key
7	674A166	+ Iso-mount Assembly	41	583P	Nut, Whiz Lock Flange 5/16 - 18 UNC
8	1666J	V-Belt Snubber	42	3418P	Bolt, Hex 7/16 - 20 UNF x 1 - 1/2
9	1513P	*Washer 13/32 x 13/16 x 16 Ga.	43	1001P	*Lockwasher 7/16
10	4012P	90° Street Elbow 3/8 - 18 NPT	44	19142405	Washer 7/16 x 1 - 1/2 x 5 Ga.
11	8883R	Pedal Cover - Attachment	45	55855	Bolt, Shoulder 5/16 - 24 x 15/16
12	7731J	Engine Pulley	46	1650P	Washer .531 x 1.50 x .115
13	1629J	V-Belt Traction Drive	47	73530500	*Locknut 5/16 - 24 UNF
14	678H455	Foot Pedal Shaft	48	7810H	Locknut 3/8 - 24 UNF
15	91084	Plug, Drain 3/8 - 18 Sq. Hd.	49	5606P	Screw, Hex Washer Hd. Thread. Cut. 1/4 - 20 x 1/2 Type 23
16	9396E	Key - Square	50	2751R	Clip - Fuel Line
17	2503P	*Cotter Pin 3/32 x 3/4	51	4470J	Spacer
18	64229	Clutch or Brake Lever	52	3030P	*Bolt, Hex 3/8 - 16 x 2 - 1/4
19	678H650	Clutch Rod	53	545P	Nut, Crownlock 3/8 - 16 UNC
20	5977J	Parking Brake Rod	54	678H492	Snubber, V-Belt
21	677A903	Idler Bracket Assembly	55	3011P	*Hex, Bolt 5/16 - 18 x 1
22	1635J	Spring - Brake Rod	56	1599P	Washer 11/32 x 3/4 x 16 Ga.
23	678H509	Brake Rod	58	1622P	Washer 13/32 x 7/8 x 7 Ga.
24	67400	Idler Pulley	59	7512J	Sleeve - Insulated
25	71673	Plunger Cap	60	2228M	Key - Woodruff, No. 9
26	73275	Spring - Idler	62	501P	*Nut - Nex 3/8 - 16
27	2506P	*Cotter Pin 1/8 x 1	63	1004P	*Lockwasher 3/8
28	5038P	Retainer Ring			
29	4481J	Arm - Clutch, Mower			
30	677H960	Mower Clutch Handle			
31	67653	Handle Grip			
32	1649J	Idler Pulley			

*STANDARD HARDWARE--PURCHASE LOCALLY
+REFER TO PAGE 10 FOR PROPER ASSEMBLY

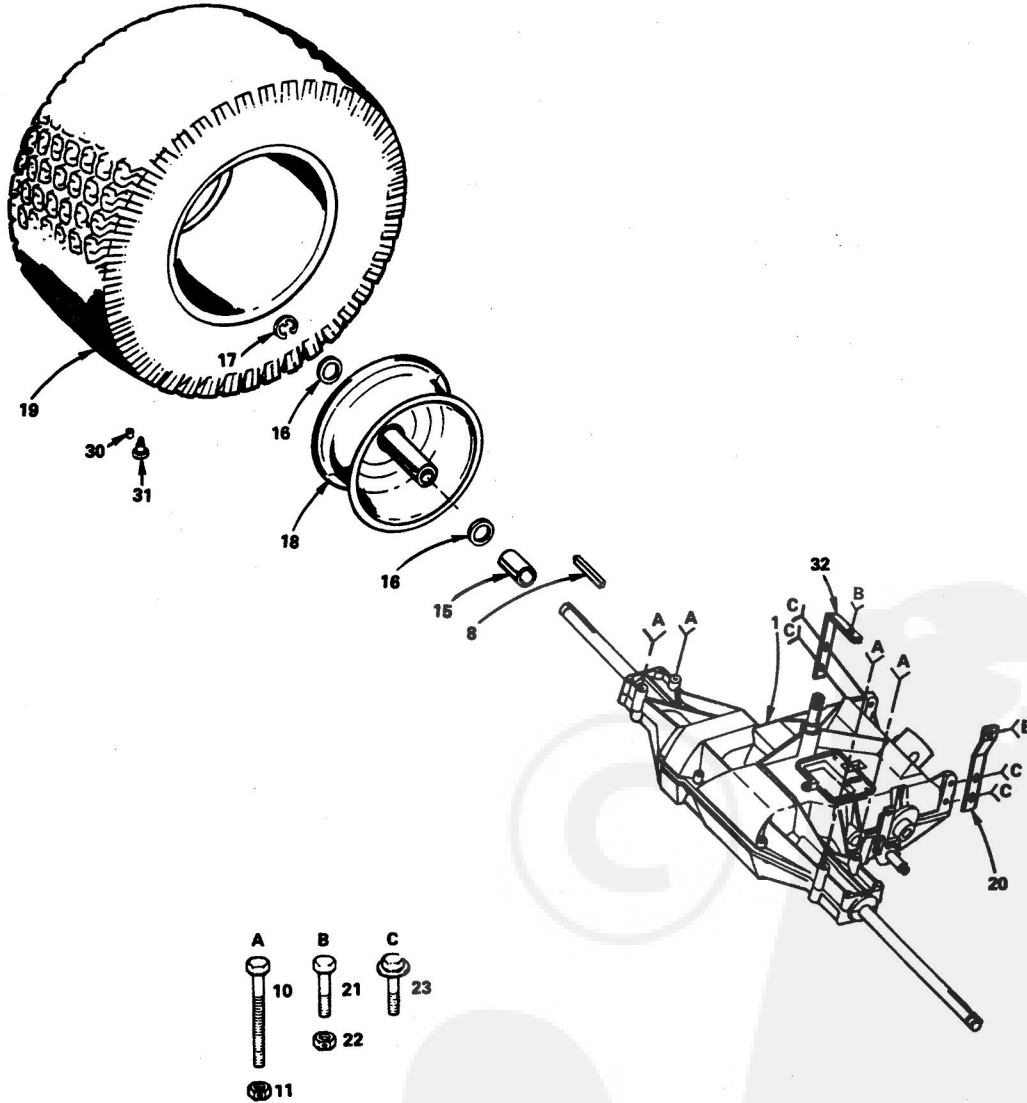
OPTIONAL EQUIPMENT

Spark Arrestor Muffler 673A223

REPAIR PARTS

SEARS LAWN TRACTOR--MODEL NUMBER 917.255275

TRANSAXLE AND REAR WHEEL



REPAIR PARTS

ROPER LAWN TRACTOR-MODEL NUMBER L0232AR

TRANSAXLE AND REAR WHEEL

KEY NO.	PART NO.	DESCRIPTION	KEY NO.	PART NO.	DESCRIPTION
1	1709	Transaxle Assembly (See Pages 32 & 33 for Breakdown of Parts)	19	71653	Tire - Soft Trac 18 x 9.50 - 8
8	2703J	Key, Square 3/16 x 2	20	678H505	Strap, Torque - R.H.
10	74760644	*Bolt, Hex 3/8 - 16 x 2 - 3/4	21	3010P	*Bolt, Hex 5/16 - 18 x 3/4
11	545P	Nut, Crownlock 3/8 - 16 UNC	22	575P	Nut, Crownlock 5/16 - 18 UNC
15	2935J	Wheel Spacer	23	5620P	Screw, Hex Washer Hd. Thread Form. 5/16 - 18 x 3/4
16	1552P	Washer 25/32 x 1 - 1/4 x 16 Ga. (2 to 6 as required)	30	59192	Valve Cap
17	5000P	E-Ring	31	65139	Valve Stem
18	71652	Rim Assembly - Rear 8"	32	678H504	Strap, Torque - L.H.

*STANDARD HARDWARE--PURCHASE LOCALLY

REPAIR PARTS

ROPER LAWN TRACTOR--MODEL NUMBER L0232AR

ELECTRICAL

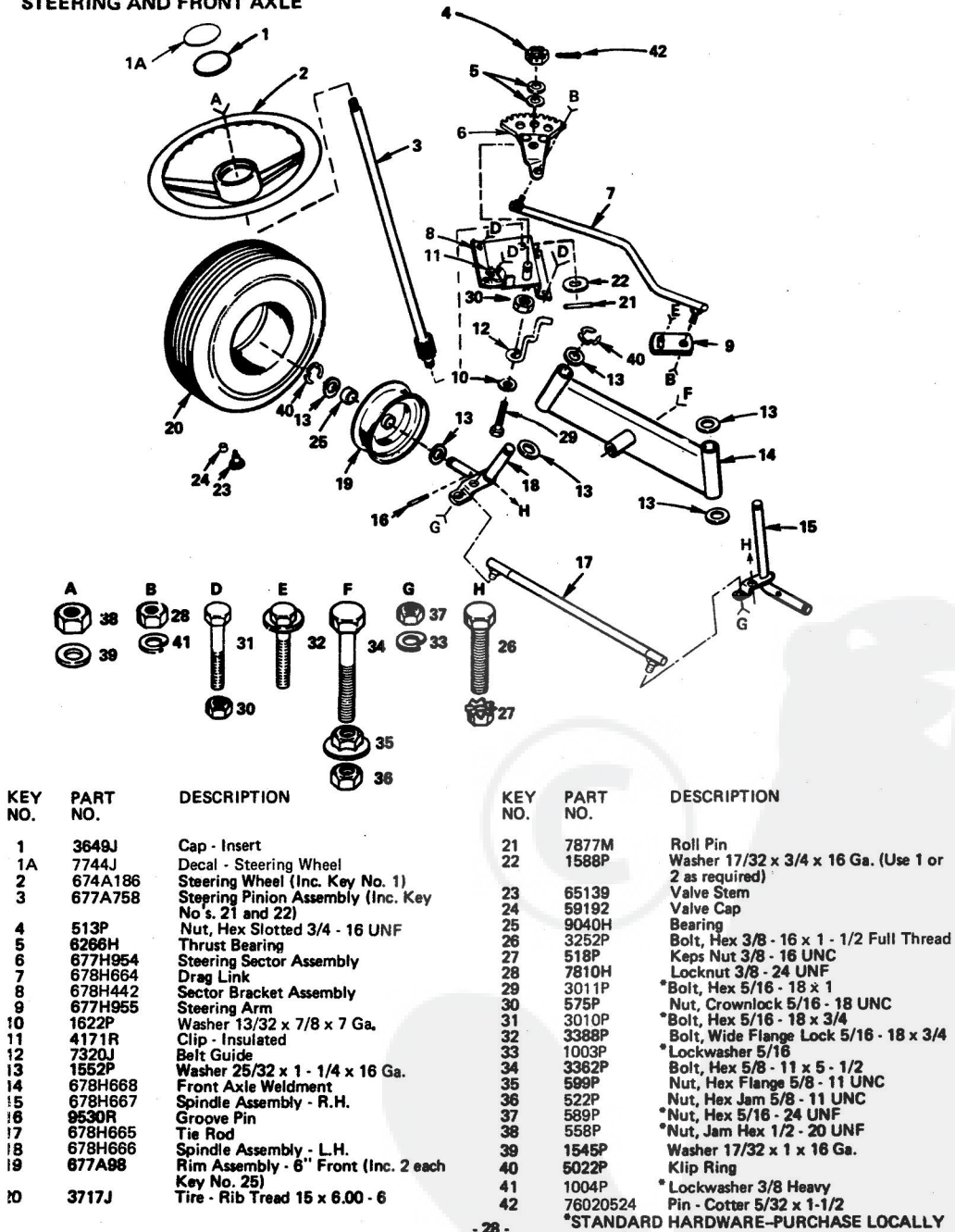
KEY NO.	PART NO.	DESCRIPTION
1	6452R	Headlight
2	8794R	Headlight Clamp
3	8031R	Headlight Ground Wire
5	7755R	Interlock Switch
6	678H497	Interlock Switch Bracket
7	6439J	Wiring Harness
8	6347R	Fuse - 30 Amp.
9	4482J	Light Switch
10	4406R	Ignition Switch
11	7552H	Key
12	7682R	Plate - On/Off
13	1411P	Lockwasher, Internal Tooth 5/8
14	2067J	Screw, Hex Washer Head Tapping No. 10 - 24 x 1
15	7319R	Lockwasher, Internal Tooth 7/16
16	3003J	Interlock Switch
17	2008J	Solenoid
18	719J	Terminal Cover
19	5906J	Cable Assembly (Solenoid to Starter)
20	225J	Terminal Cover
22	1417P	Lockwasher - External Tooth 1/4
23	2955J	Cable Assembly (Ground Wire)
24	228J	Battery Pack
25	577P	* Wing Nut 1/4 - 20 UNC
26	2300J	Boot-Switch
27	5907J	Battery Cable (To Solenoid)
28	1507P	Washer 9/32 x 3/4 x 16 Ga.
29	3226P	* Machine Screw, Cross Recess Truss Hd. No. 10 - 24 x 1
30	4632H	Locknut No. 10 - 24 UNC
31	6064P	Screw, Hex Hd. Washer Sems Type T No. 10 - 24 x 3/8
32	5612P	Screw, Hex Washer Hd. Thread Form 5/16 - 18 x 1/2
33	3454P	Mach. Screw Pan Hd. Sltd. 1/4 - 20 x 1/2
34	73510400	Keps Nut 1/4 - 20 UNC
35	7320R	Nut - Hex Face
36	555P	* Nut, Hex Jam 1/4 - 20 UNC
37	1002P	* Lockwasher 1/4
38	67187	Battery Rod
39	1408P	Lockwasher, Ext. Tooth 5/16
41	3258J	Nut - Flat
42	70456	Battery Bolt
43	503P	* Hex Nut 1/4 - 20 UNC
44	1506P	* Washer 9/32 x 5/8 x 16 Ga.
45	3003P	* Hex Bolt 1/4 - 20 x 3/4
46	5959J	Bolt Hook Battery
47	6011J	Ground Strap
48	545P	Gripco Crownlock Nut 3/8 - 16
49	3008P	Bolt - Hex 5/16 - 18 x 1/2
50	1415P	Lockwasher, Regular 1/4

*STANDARD HARDWARE--PURCHASE LOCALLY

REPAIR PARTS

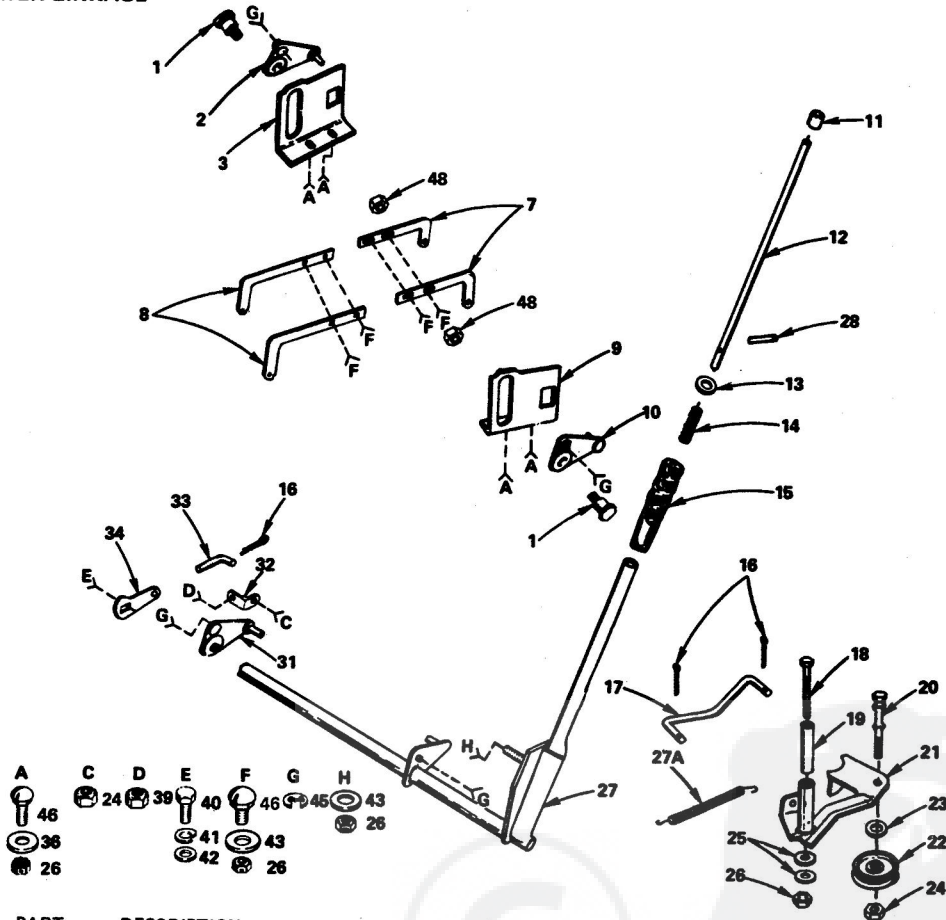
ROPER LAWN TRACTOR--MODEL NUMBER L0232AR

STEERING AND FRONT AXLE



ROPER LAWN TRACTOR--MODEL NUMBER L0232AR

MOWER LINKAGE



KEY NO.	PART NO.	DESCRIPTION
1	4792J	Bolt, Shoulder
2	678H457	Arm Assembly - Lift, L.F.
3	678H458	Slide Bracket - L.H.
7	512J	Lift Link Adjustment
8	1658J	Lift Link
9	678H459	Slide Bracket - R.H.
10	678H460	Arm Assembly - Lift, R.F.
11	9479R	Lever Plunger Cap
12	678H461	Rod Plunger
13	1615P	Washer 15/32 x 3/4 x 16 Ga.
14	71669	Spring
15	1747J	Grip
16	2505P	Cotter Pin 1/8 x 3/4
17	678H496	Mower Clutch Link
18	3409P	Bolt, Hex 5/16 - 18 x 4 - 3/4
19	1850J	Sleeve, Inner
20	1665J	Bolt, Headed
21	677H962	Mower Idler Bracket Assembly
22	7221J	Idler Pulley - Mower
23	1507P	Washer 13/32 x 3/4 x 16 Ga. (0 to 3 as required)
24	545P	Locknut 3/8 - 16 UNC

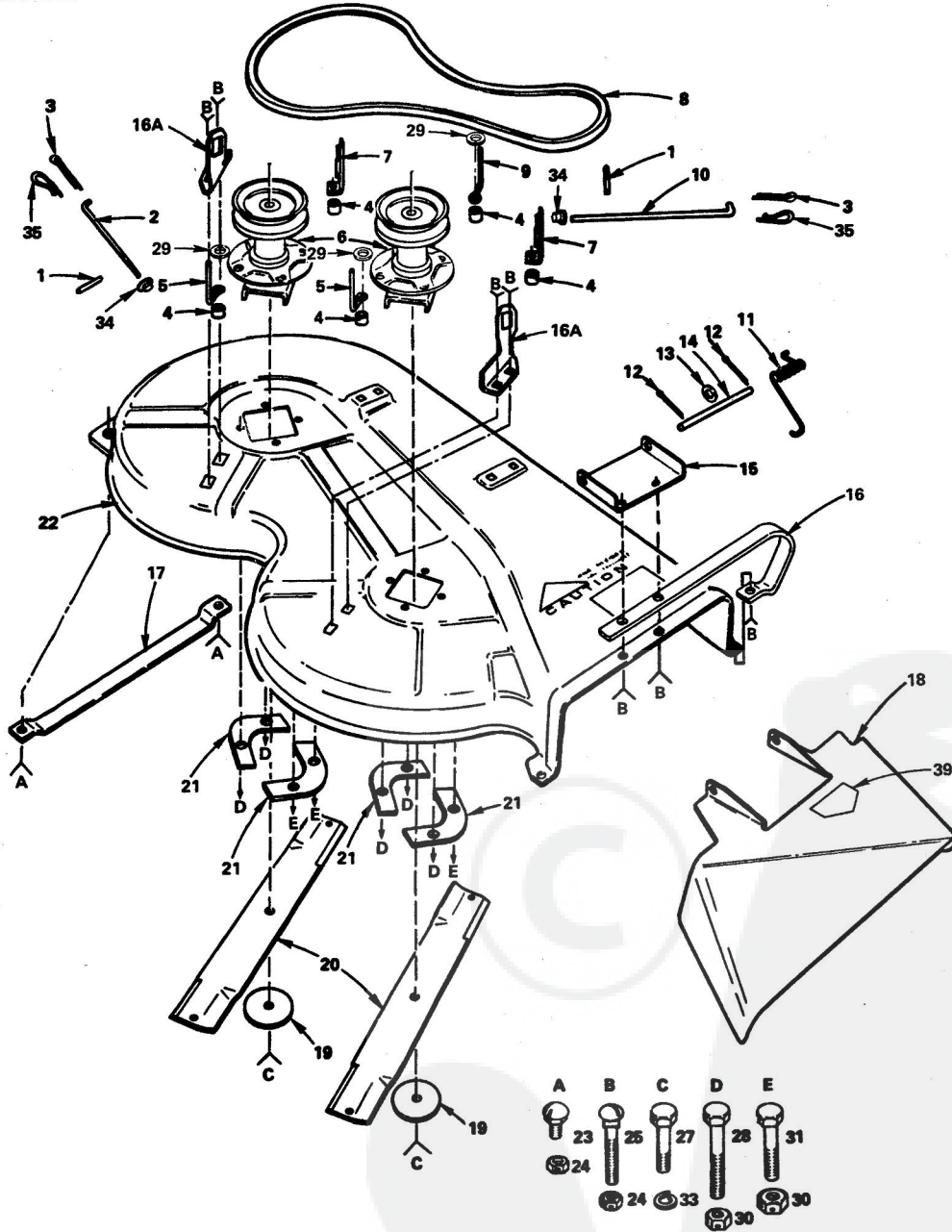
KEY NO.	PART NO.	DESCRIPTION
25	1509P	Washer 5/16 x 3/4 x 16 Ga. (2 to 3 as required)
26	553P	Nut, Crownlock 5/16 - 18 UNC Gr. B
27	677H972	Lift Shaft Assembly
27A	7458J	Spring - Mower Idler Bracket
28	5005J	Drive Lock Pin
31	678H462	Arm Assembly - Lift, L.R.
32	678H498	Adjustment - Bracket
33	678H499	Rod - Adjustment
34	678H463	Arm - Adjustment
36	1658P	Washer 11/32 x 5/8 x 14 Ga.
39	7810H	Locknut 3/8 - 24 UNF
40	3003P	*Bolt, Hex 1/4 - 20 x 3/4
41	1002P	*Lockwasher 1/4
42	1585P	Washer 9/32 x 1 - 1/4 x 16 Ga.
43	1599P	Washer 11/32 x 3/4 x 16 Ga.
45	5006P	E-Ring
46	67P	Bolt, Carriage 5/16 - 18 x 3/4 Gr. 5
48	595P	Nut, Crownlock 1/2 - 13 UNC

*STANDARD HARDWARE--PURCHASE LOCALLY.

REPAIR PARTS

ROPER LAWN TRACTOR-MODEL NUMBER L0232AR

MOWER



REPAIR PARTS

ROPER LAWN TRACTOR--MODEL NUMBER L0232AR

MOWER

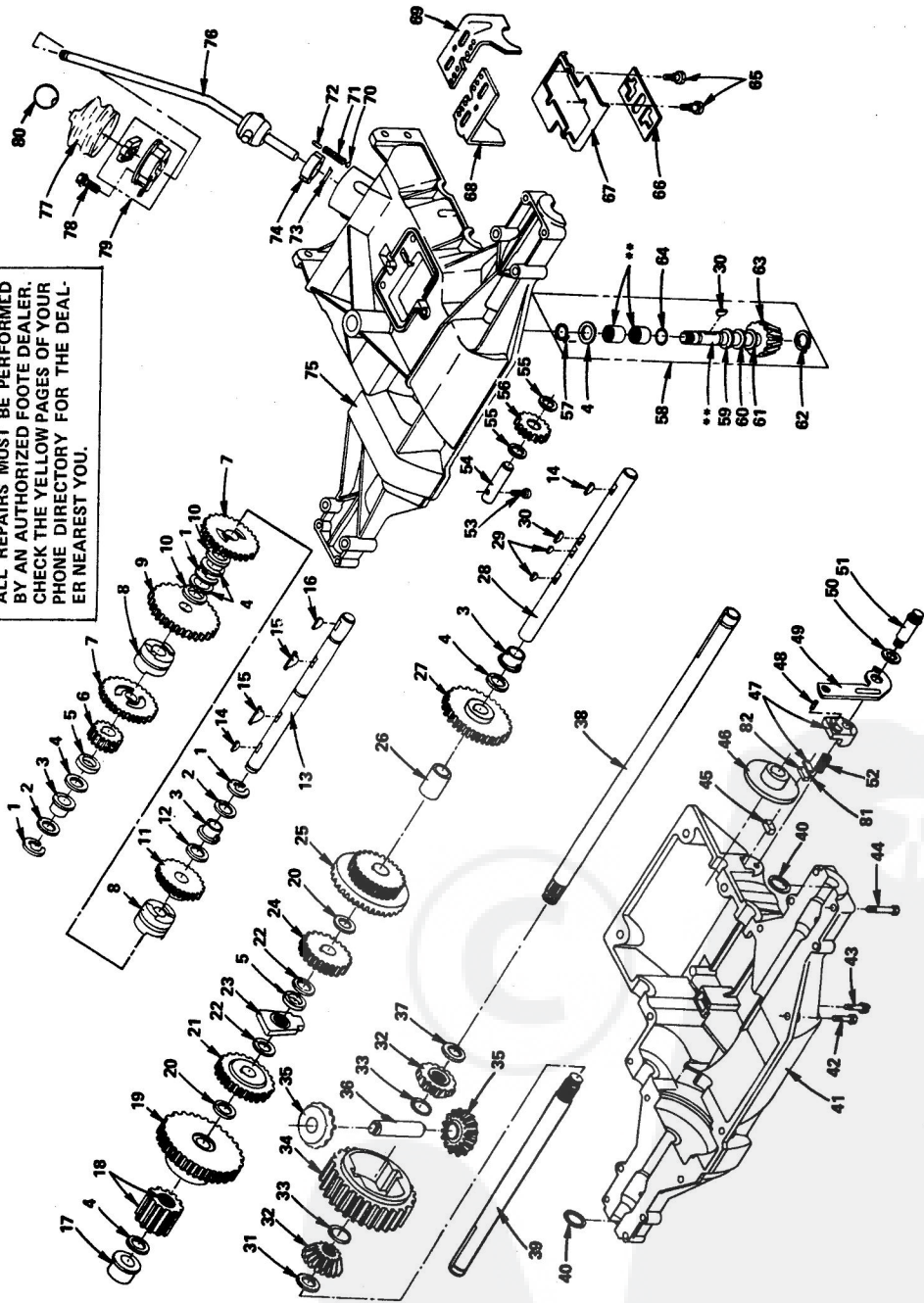
KEY NO.	PART NO.	DESCRIPTION	KEY NO.	PART NO.	DESCRIPTION
1	53997	Spring Pin 1/8 x 3/4	17	678H473	Skid - Housing, L.H.
2	1186J	Jackshaft Brake Rod - L.H.	18	674A183	Deflector (Discharge Guard) with Silk Screen
3	2505P	Cotter Pin 1/8 x 3/4	19	678H500	Washer 25/64 x 2 - 3/8 x 8 Ga.
4	678H503	Spacer - Tube, Split	20	75270	Blade
5	678H501	Belt Snubber - Mower	21	678H465	Plate - Support, Jackshaft
6	678H280	Jackshaft Assembly	22	674A184	Mower Housing with Silk Screen
7	677A909	Brake Assembly	23	73P	Bolt, Carriage 5/16 - 18 x 5/8 Gr. 5
8	518J	Drive Belt - Mower	24	553P	Nut, Crownlock 5/16 - 18 UNC Gr. B
9	678H502	Belt Snubber	25	67P	Bolt, Carriage 5/16 - 18 x 3/4 Gr. 5
10	1185J	Jackshaft Brake Rod - R.H.	27	3341P	*Bolt, Hex 3/8 - 24 x 1 Gr. 5
11	71526	Discharge Spring	28	3027P	*Bolt, Hex 3/8 - 16 x 1 - 1/2
12	2503P	*Cotter Pin 3/32 x 3/4	29	1507P	Washer 13/32 x 3/4 x 16 Ga.
13	1623P	Washer 11/32 x 7/8 x 16 Ga.	30	545P	Nut, Crownlock 3/8 - 16 UNC
14	71555	Hinge Rod	31	3023P	*Bolt, Hex 3/8 - 16 x 1
15	678H464	Deflector Bracket	33	1004P	*Lockwasher 3/8, Heavy
16	678H630	Runner - R.H.	34	9423R	Push Nut
16A	678H472	Lift Bracket	35	4921H	Retainer Spring
			39	3495J	Label - Warning C.P.S.C.

*STANDARD HARDWARE--PURCHASE LOCALLY

REPAIR PARTS

ROPER LAWN TRACTOR--MODEL NUMBER L0232AR

ALL REPAIRS MUST BE PERFORMED BY AN AUTHORIZED FOOTE DEALER. CHECK THE YELLOW PAGES OF YOUR PHONE DIRECTORY FOR THE DEALER NEAREST YOU.



REPAIR PARTS

ROPER LAWN TRACTOR--MODEL NUMBER L0232AR

KEY NO.	PART NO.	DESCRIPTION	KEY NO.	PART NO.	DESCRIPTION
1	1106	Ring, Retaining	41	3264-2	Housing, Lower
2	1068	Washer, Plain, 1.00 x .630 x .040	42	1919	Bolt, Hex Hd., S.T. 1/4 - 20 x .875
3	1101	Bearing, Flange	43	3323	Screw, Machine, No. 12 - 24 x .625
4	1145	Washer, Plain, 1.00 x .630 x .060	44	1360	Bolt, Hex Hd., S.T. 1/4 - 20 x 1 - 5/16
4	1358	Washer, Plain, 1.00 x .630 x .050	45	3404	Puck, Friction
4	1425	Washer, Plain, 1.00 x .630 x .045	46	1902	Disc, Brake
4	1066	Washer, Plain, 1.00 x .630 x .040	47	2839	Assembly, Brake Jaw (Inc. Item 48)
4	1424	Washer, Plain, 1.00 x .630 x .035	48	1606	Screw, Set (No. 8 - 32)
4	1082	Washer, Plain, 1.00 x .630 x .031	49	2758	Assembly, Lever, Actuating
4	1423	Washer, Plain, 1.00 x .630 x .025	50	1546	Washer, Plain, .750 x .505 x .006
4	1441	Washer, Plain, 1.00 x .630 x .020	51	1479	Bolt, Stud
5	3309	Spacer, 1.00 x .630 x .110	52	1479	Spring, Compression
6	1174	Gear, Spur, 13T.	53	3188	Screw, Tapping, No. 10 - 24 x 1.00
7	3458	Gear, Spur, 25T.	54	3182	Shaft, Idler
8	1574	Collar, Clutch	55	3194	Washer, Plain, 1.00 x .505 x .020
9	3425	Gear, Spur, 33T.	56	2718	Assembly, Gear, Idler
10	3410	Spacer, 1.00 x .630 x .260	57	1099	Ring, Retaining
11	3457	Gear, Spur, 20T.	58	2945	Assembly, Kit, Input Shaft
12	1959	Washer, Plain, 1.00 x .630 x .010	59	1068	Washer, Plain, 1.00 x .630 x .040
13	3407	Shaft, Intermediate	60	1425	Washer, Plain, 1.00 x .630 x .045
14	1369	Key, Wdrf., No. 3 Alloy	61	1708	Washer, Plain, 1.00 x .630 x .015
15	1092	Key, Hi-Pro, Special	61	1441	Washer, Plain, 1.00 x .630 x .020
16	1375	Key, Wdrf., No. 61 Alloy	61	1423	Washer, Plain, 1.00 x .630 x .025
17	3186	Bearing, Flange	61	1082	Washer, Plain, 1.00 x .630 x .030
18	2863	Assembly, Gear, 12T.	61	1424	Washer, Plain, 1.00 x .630 x .035
19	3146	Gear, Spur, 37T.	62	1100	Ring, Retaining
20	1425	Washer, Plain, 1.00 x .630 x .045	63	3232	Pinion, Bevel, 16T.
21	3147	Gear, Spur, 25T.	64	3240	O-Ring, Bevel, 16T.
22	1423	Washer, Plain, 1.00 x .630 x .025	65	3296	Screw, Pozi-Drive
23	2794	Assembly, Support, Shaft	66	3208	Plate, Lock-out
24	3148	Gear, Spur, 17T.	67	3208	Plate, Fork, Support
25	3151	Gear, Spur, 17T.	68	3297	Fork, Shifter
26	3174	Spacer (.875 x .630 x 1.375)	69	3189	Fork, Shifter
27	3153	Gear, Spur, 30T.	70	1037	Ball, Detent
28	3199	Shaft, Drive	71	1475	Spring, Detent
29	3311	Key, Wdrf., No. 3 Alloy, Special	72	3239	Screw, Set, 1/4 - 20 x 1/2
30	1374	Key, Wdrf., No. 9 Alloy	73	1096	Washer, Wave
31	3180	Washer, Plain, 1.25 x .755 x .062	74	1091	Insert, Nylon
31	3184	Washer, Plain, 1.25 x .755 x .031	75	3265-5	Housing, Upper
31	3185	Washer, Plain, 1.25 x .755 x .040	76	2899	Assembly, Lever, Shift
31	3408	Washer, Plain, 1.25 x .755 x .020	77	3307	Boot, Switch
32	3155	Gear, Miter, 15T., Splined	78	3306	Screw, Hex Hd., S.T. No. 10 - 24 x 1.00
33	3395	Ring, Retaining, Spirobox R	79	2969	Assembly, Kit, Switch
34	3154	Gear, Spur, 32T.	80	3444	Knob, Shift
35	3156	Gear, Miter, 15T.	81	3293	Spacer (.045)
36	3179	Shaft, Cross	82	3242	Puck, Friction
37	3184	Washer, Plain, 1.25 x .755 x .031			
38	3162	Axle, R.H.			
39	3163	Axle, L.H.			
40	3191	Seal, Felt			

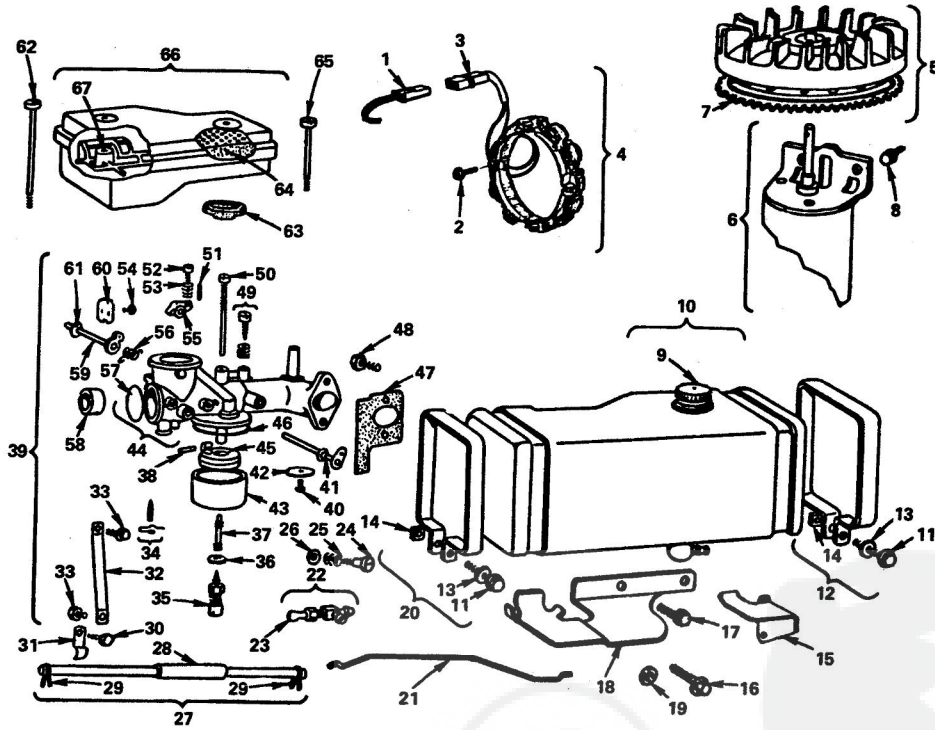
**ORDER KEY NO. 58

REPAIR PARTS

**ROPER LAWN TRACTOR--MODEL NUMBER L0232AR
ENGINE--MODEL NUMBER 220707, TYPE NUMBER 0147-01**

AIR CLEANER AND CARBURETOR

ALL ENGINE PARTS MUST BE PURCHASED THROUGH AND SERVICE PERFORMED BY YOUR LOCAL BRIGGS AND STRATTON DEALER.



REPAIR PARTS

**ROPER LAWN TRACTOR--MODEL NUMBER L0232AR
ENGINE--MODEL NUMBER 220707, TYPE NUMBER 0147-01**

AIR CLEANER AND CARBURETOR

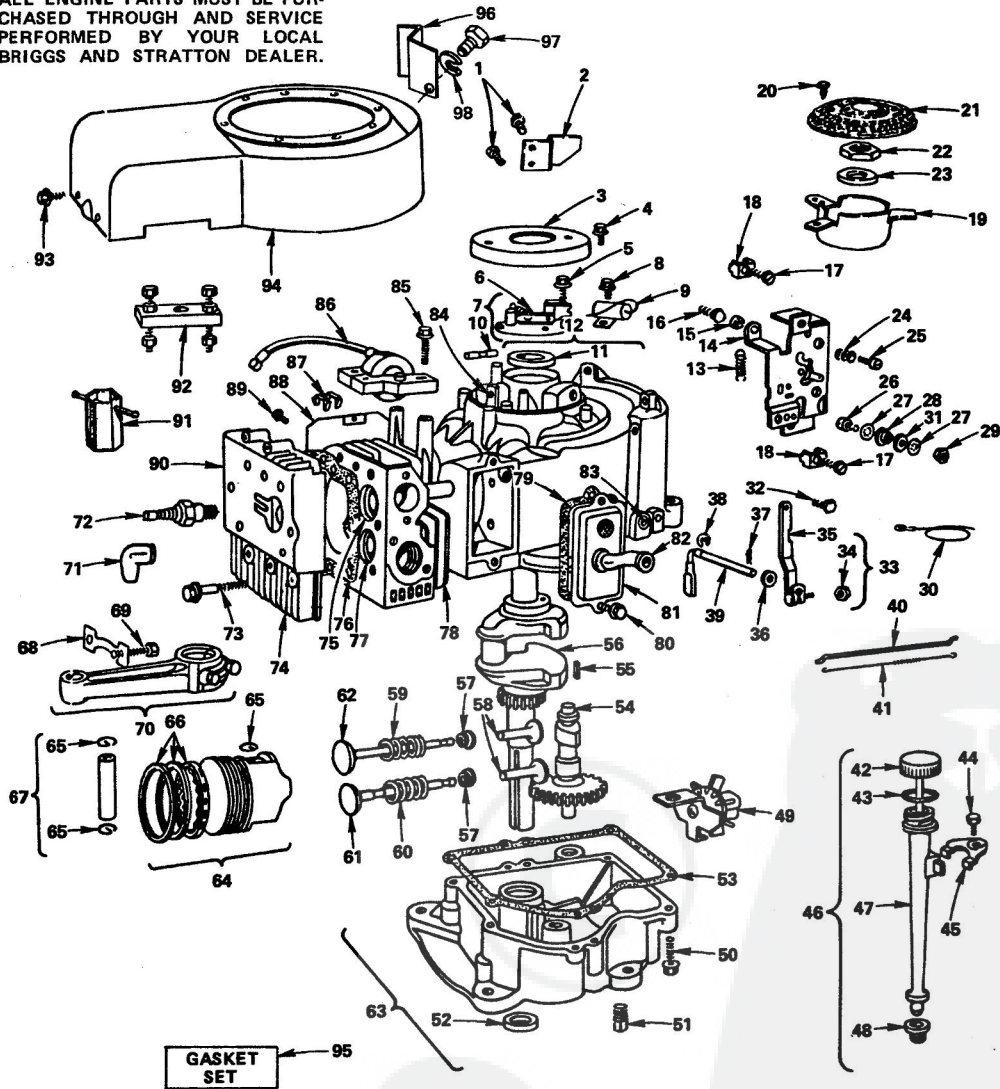
KEY NO.	PART NO.	DESCRIPTION	KEY NO.	PART NO.	DESCRIPTION
1	393362	Alternator Harness Assy. (Dual Circuit)	37	230932	+Screw - Nozzle
2	93621	Screw - Sem	38	230896	+Pin - Float Hinge
3	393456	Diode and Connector Assy.	39	391788	Carburetor Assembly (Inc. Key No's. 32, 33, 34, 35, 36, 37, 38, 39, 40, 41, 42, 43, 44, 45, 46, 49, 50, 51, 52, 53, 54, 55, 56, 57, 58, 59, 60 & 61)
4	393474	Stator - Alternator (Dual Circuit) (Inc. Key No. 3)	40	93499	Screw - Throttle & Choke Valve Mtg. Sem
5	391988	Flywheel and Ring Gear Assy. - Magneto (Inc. Key No. 7)	41	391512	Shaft & Lever - Throttle
6	392749	Motor - Starting (12 Volt)	42	222858	Valve - Throttle
7	392134	Gear - Ring	43	221995	Bowl - Float
8	93523	Screw - Sem	44	391787	Body Assembly - Carburetor (Inc. Key No. 57)
9	392300	Cap - Fuel Tank	45	299707	Float - Carburetor
10	390225	Tank Assembly - Fuel (3 quart) (Inc. Key No. 9)	46	270511	+Gasket - Float Bowl
11	93803	Screw - Hex Head	47	270872	*Gasket - Carburetor
12	390406	Strap Assy.-Fuel Tank (R.H.) (Inc. Key No's. 11, 13 & 14)	48	93357	Screw - Carburetor
13	90832	Washer - Lock - 1/4 x 3/32 x 5/64	49	292681	+Valve Assembly - Carburetor Idle
14	90970	Nut - Square 1/4 - 20	50	299740	+Nozzle - Carburetor
15	222980	Bracket - Fuel Tank (R.H.)	51	93043	Pin - Throttle Stop
16	93634	Screw - Sem	52	91920	Screw - Machine - Fill. Hd. 8 - 32 x 5/8"
17	93535	Screw - Sem (3/4" long)	53	26157	Spring - Throttle Adjustment
18	222979	Bracket - Fuel Tank (L.H.)	54	93499	Screw - Throttle & Choke Valve Mtg. Sem
19	22776	Washer - Flat	55	211712	Stop - Throttle
20	390405	Strap Assy.-Fuel Tank (L.H.) (Inc. Key No's. 11, 13 & 14)	56	261116	Spring - Choke Return
21	261274	Link - Choke	57	221997	+Plug - Welch
22	390303	Connector - Fuel Pipe (Inc. Key No. 23)	58	211960	Venturi - Carburetor
23	293934	Valve - Fuel Shut-Off	59	390684	Shaft & Lever - Choke
24	23270	Screw - Choke Lever	60	222010	Valve Choke
25	26229	Spring - Choke Lever	61	270382	Washer - Choke Shaft
26	220899	Washer - Choke Lever	62	93323	Screw - Air Cleaner
27	296004	Pipe - Fuel (Inc. Key No. 29)	63	270853	Gasket - Air Cleaner
28	222175	Shield - Heat	64	270843	Element - Air Cleaner
29	93053	Clamp - Fuel Pipe	65	93622	Screw - Air Cleaner
30	93572	Screw	66	391786	Cleaner Assembly - Air (Inc. Key No's. 64 & 67)
31	221428	Clamp (2)	67	280118	Support - Air Cleaner Element
32	222311	Bracket - Carburetor			
33	93572	Screw			+INCLUDED IN CARBURETOR OVERHAUL KIT PART NO. 299852
34	299096	+Valve - Fuel Inlet			*INCLUDED IN GASKET SET - PART NO. 393411
35	391233	+Valve - Needle			
36	222014	+Washer - Float Bowl			

REPAIR PARTS

**ROPER LAWN TRACTOR--MODEL NUMBER L0232AR
ENGINE--MODEL NUMBER 220707, TYPE NUMBER 0147-01**

CYLINDER, CRANKSHAFT AND ENGINE BASE GROUP

ALL ENGINE PARTS MUST BE PURCHASED THROUGH AND SERVICE PERFORMED BY YOUR LOCAL BRIGGS AND STRATTON DEALER.



**ROPER LAWN TRACTOR--MODEL NUMBER L0232AR
ENGINE--MODEL NUMBER 220707, TYPE NUMBER 0147-01**

CYLINDER, CRANKSHAFT AND ENGINE BASE GROUP

KEY NO.	PART NO.	DESCRIPTION	KEY NO.	PART NO.	DESCRIPTION
1	93572	Screw	54	212296	Gear - Cam
2	222971	Bracket - Fuel Tank Support	55	61760	Key - Flywheel
3	222309	Cover - Breaker Point	56	261501	Crankshaft
4	93014	Screw - Sem	57	221596	Retainer - Intake Valve
5	93226	Screw - Breaker Adjusting Sem	58	261183	Tappet - Valve
6	26018	Spring - Breaker Arm	59	65906	Spring - Intake Valve
7	391284	Breaker Ass'y.-Ignition (Inc. Key No. 6)	60	26828	Spring - Exhaust Valve
8	93042	Screw - Sem	61	261503	Valve - Exhaust
9	391792	Condenser	62	261462	Valve - Intake
10	65704	Plunger - Breaker Point	63	391784	Sump - Oil (Inc. Key No's. 52 & 53)
11	391086	Seal - Oil	64	391285	Piston Ass'y.-Standard (Inc. Key No's. 65 & 66)
12	393863	Cylinder Assembly (Inc. Key No. 11)	64	391287	Piston Ass'y.-.010 O.S.
13	261306	Spring - Governor	64	391288	Piston Ass'y.-.020 O.S.
14	390662	Plate - Gov. Control	64	391289	Piston Ass'y.-.030 O.S.
15	231039	Spacer - Control Bracket Mounting	65	260924	Lock - Piston Pin
16	93686	Screw - Control Bracket Mounting	66	391780	Ring Set - Piston - Standard
17	93496	Screw - Sem	66	391781	Ring Set - Piston - .010 O.S.
18	221535	Clamp - Casing	66	391782	Ring Set - Piston - .020 O.S.
19	222561	Cup - Screen Mounting	66	391783	Ring Set - Piston - .030 O.S.
20	93808	Screw - Sem	67	299691	Pin Assembly - Piston - Standard (Inc. Key No. 65)
21	222562	Screen - Flush Rotating	67	391286	Pin Assembly - Piston - .005 O.S.
22	92284	Nut - Hex	68	222299	Lock - Conn. Rod Screw
23	220865	Washer - Spring	69	92909	Screw - Conn. Rod
24	26157	Spring - Throttle Adjustment	70	393860	Rod Ass'y. Connecting (Inc. Key No's. 68 & 69)
25	91920	Screw - Machine, Fill. Hd. 8 - 32 x 5/8	71	66538	NOTE: For Connecting Rod with .020 undersize Crankpin - Order No. 393861
26	93735	Screw - Terminal	72	293918	Elbow - Spark Plug
27	92791	Washer - Insulating	73	93723	*+Plug - Spark (Resistor Type)
28	66554	Collar - Insulating	74	212366	Screw - Cylinder Head (3" Long)
29	90576	Nut - Hex - 8 - 32 (2)	75	261463	+Head - Cylinder
30	391602	Wire - Ground	76	271075	Seat - Intake Valve (Standard)
31	66068	Washer - Insulating	77	211661	*Gasket - Cylinder Head
32	93572	Screw	78	231218	+Seat - Exhaust Valve
33	391733	Lever Ass'y.-Governor (1/4 Dia. Crank) (Inc. Key No's. 34 & 35)	79	27803	+Guide - Exhaust Valve
34	231082	Nut - Hex., 10 - 24	80	93394	*Gasket - Valve Cover
35	92613	Bolt - Governor Link	81	391406	Screw - Sem
36	222450	Washer - Gov. Crank (1/4 I.D.)	82	280100	Breather Assembly
37	93306	Cotter - Hairpin	83	231055	Tube - Breather
38	93307	Retainer - E-Ring	84	23513	Bushing - Gov. Crank (1/4 I.D.)
39	231058	Crank - Governor (1/4 Dia.)	85	93381	+Bushing - Plunger
40	261198	Link Governor	86	288968	Screw - Armature Mounting Sem
41	261197	Spring Governor	87	221907	Armature Assembly
42	391841	Cap and Dipstick	88	222744	Clip - Wire
43	270920	Seal - Oil Filter Cap	89	93163	Shield - Cylinder
44	93804	Screw - Clamp Mtg.	90	222725	Screw - Cylinder Shield Mtg. Sem
45	222502	Clamp - Oil Filter Tube	91	89838	Cover - Cylinder Head
46	392067	Fill Group-Oil (Inc. Key No's. 42, 43, 44, 45, 47 & 48)	92	19203	Wrench - Spark Plug
47	280134	Tube - Oil Filter	93	93158	Puller - Flywheel
48	68838	Seal - Filler Tube	94	391556	Screw - Blower Housing Mounting Sem
49	391764	Oil Slinger, Gov. Gear & Bracket Assembly	95	393411	Housing Blower
50	93585	Screw - Sump Mounting Sem	96	223157	Gasket Set
51	91084	Plug - Oil Drain	97	93294	Fuel Tank Support Bracket
52	291675	Seal - Oil	98	90832	Screw
53	270808	*Gasket - Crankcase Cover - 1/64 Thick			Lockwasher
53	270915	*Gasket - Crankcase Cover - .005 Thick			
53	270916	*Gasket - Crankcase Cover - .009 Thick			

+SPECIAL TOOLS REQUIRED TO INSTALL

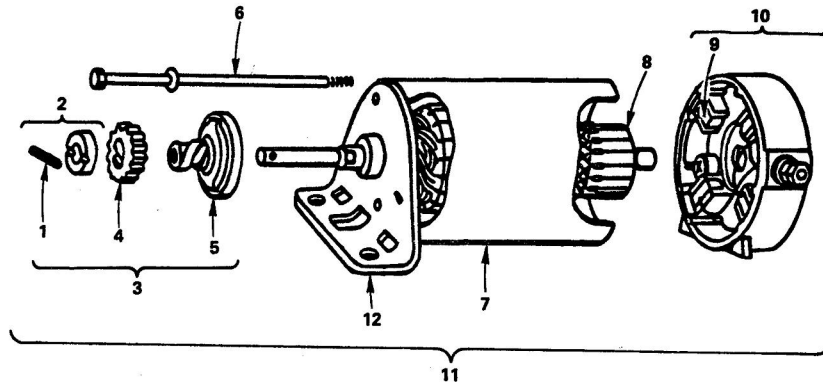
*INCLUDED IN GASKET SET PART NO. 393411

*+CANADIAN CUSTOMERS IN COMPLIANCE WITH RADIO INTERFERENCE REGULATIONS CERTIFIED MUST REPLACE SPARK PLUG WITH RESISTOR SPARK PLUG ONLY.

**ROPER LAWN TRACTOR--MODEL NUMBER L0232AR
ENGINE--MODEL NUMBER 220707, TYPE NUMBER 0147-01**

STARTER MOTOR GROUP

ALL ENGINE PARTS MUST BE PURCHASED THROUGH AND SERVICE PERFORMED BY YOUR LOCAL BRIGGS AND STRATTON DEALER.



KEY NO.	PART NO.	DESCRIPTION	KEY NO.	PART NO.	DESCRIPTION
1	93754	Roll Pin	7	392744	Housing Assembly
2	391462	Retainer and Pin (Inc. Key No. 1)	8	392747	Armature Assembly
3	391461	Drive Assembly (Inc. Key No's. 1, 2, 4 & 5)	9	391705	Brush Assembly
4	280104	Gear	10	390846	End Cap Assembly - Commutator (Inc. Key No. 9)
5	391135	Clutch Assembly	11	392749	Motor and Drive Assembly (Inc. Key No's. 1, 2, 3, 4, 5, 6, 7, 8, 9, 10 & 12)
6	391706	Thru Bolt Assembly	12	392061	End Cap Assembly Drive

LIMITED WARRANTY

J. B. FOOTE FOUNDRY CO.
Fredericktown, Ohio 43019

The J. B. Foote Foundry Co. will at its option, replace or repair without charge to the original purchaser for materials or labor, any part or parts manufactured by it and found upon examination to be DEFECTIVE IN MATERIAL AND OR WORKMANSHIP, if received for examination within ONE YEAR from date of original purchase.

To obtain warranty service first contact the dealer from whom you purchased the transmission. If you do not obtain a satisfactory response, then contact the distributor nearest to you. A list of distributors appears below. If not then satisfied, please write the factory at the address shown above.

All transportation charges on and damage or loss incurred in connection with the transportation of parts submitted for replacement or repair under this LIMITED WARRANTY shall be borne by purchaser.

The EXPRESSED WARRANTY contained herein shall not apply to any damage resulting from accident, abuse, or neglect. Nor will this LIMITED WARRANTY apply to damage resulting from failure to follow the manufacturer's instructions for operation and maintenance nor from the improper selection of a particular application.

The foregoing EXPRESSED WARRANTY IS IN LIEU OF ALL OTHER EXPRESSED WARRANTIES. The J. B. Foote Foundry Co. neither assumes nor authorizes any other persons, natural or corporate, to assume for it any obligations or liability in connection with or with respect to any parts covered hereunder.

THE J. B. FOOTE FOUNDRY CO. HEREBY DISCLAIMS ANY AND ALL IMPLIED WARRANTIES, INCLUDING, BUT NOT LIMITED TO WARRANTIES OF MERCHANTABILITY AND FITNESS FOR ANY PARTICULAR PURPOSE, TO THE EXTENT THAT SUCH DISCLAIMER IS NOT FORBIDDEN BY ANY APPLICABLE LAW. ANY IMPLIED WARRANTIES, INCLUDING BUT NOT LIMITED TO WARRANTIES OF MERCHANTABILITY AND FITNESS FOR ANY PARTICULAR PURPOSE WHICH J. B. FOOTE FOUNDRY CO. IS SO FORBIDDEN TO DISCLAIM BY ANY APPLICABLE LAW, ARE LIMITED TO THE PERIODS OF THE EXPRESSED WARRANTY. THE J. B. FOOTE FOUNDRY CO. SHALL IN NO EVENT BE LIABLE FOR ANY CONSEQUENTIAL, INCIDENTAL OR SPECIAL DAMAGES AND OR EXPENSES.

Some states do not allow limitations on warranties so the above limitation may not apply to you. This Warranty gives you specific legal rights, and you may also have other rights which vary from state to state.

This warranty does not cover transmission units used for commercial purposes.

FOR INFORMATION REGARDING YOUR LOCAL FOOTE SERVICE CENTER, PLEASE CONTACT YOUR NEAREST DISTRIBUTOR.

SEDCO, INC.
3637 CLEARVIEW PARKWAY N.E.
ATLANTA, GEORGIA 30340
(404) 458-8838

BILLIOU'S
75 NORTH D STREET
PORTERVILLE, CALIFORNIA 93257
(209) 784-4102

GARDNER, INC.
1150 CHESAPEAKE AVE.
COLUMBUS, OHIO 43212
(614) 488-7951

GRAYSON COMPANY OF THE SOUTHWEST
1234 MOTOR STREET
DALLAS, TEXAS 75207
(214) 630-3272

GRAYSON COMPANY OF LOUISIANA
100 FANNIN STREET
P. O. BOX 206
SHREVEPORT, LOUISIANA 71162
(318) 222-3211

R.B.I. CORPORATION
959 MYERS STREET
RICHMOND, VIRGINIA 23220
(804) 359-3531

CANADA:
CANADIAN CURTIS WRIGHT LTD.
1815 SISMET ROAD
MISSISSAUGA, ONTARIO L4W 1P9
(416) 625-6557

EUROPE, AUSTRALIA, AND SOUTH AMERICA
STURDEVANT INTERNATIONAL
P.O. BOX 607
FRANKLIN, MICHIGAN 48025
(313) 626-7677