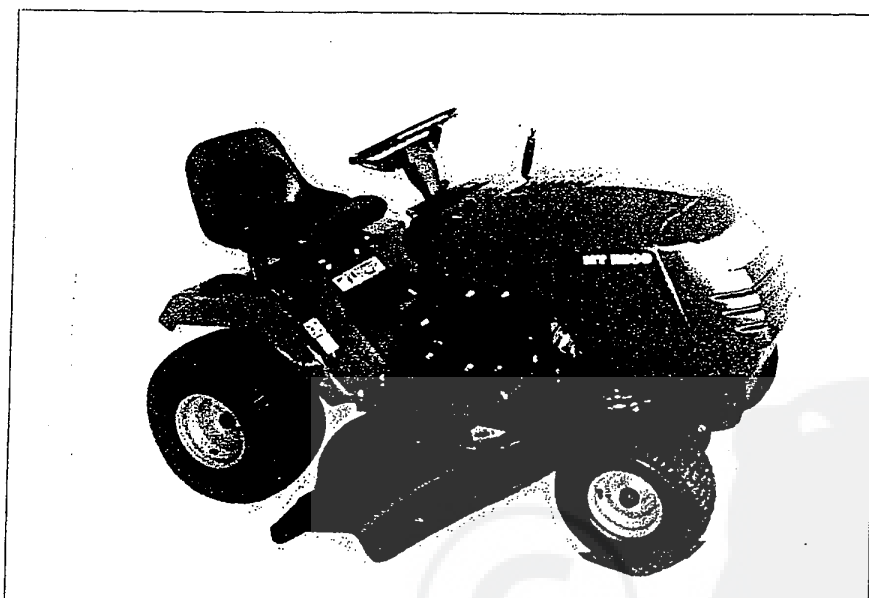




MOTEC MT E800Y



107 cm, 2 lames
18 cv B&S 2 cyl.
hydrostat.
15x6 et 18x8
225 L en option
latérale
5 pos. de 2,5 à 9 cm
lumières, siège à ressort

Largeur de coupe
Puissance
Vitesses
Pneux
Bac de ramassage
Ejection
Règlage de hauteur
Equipement

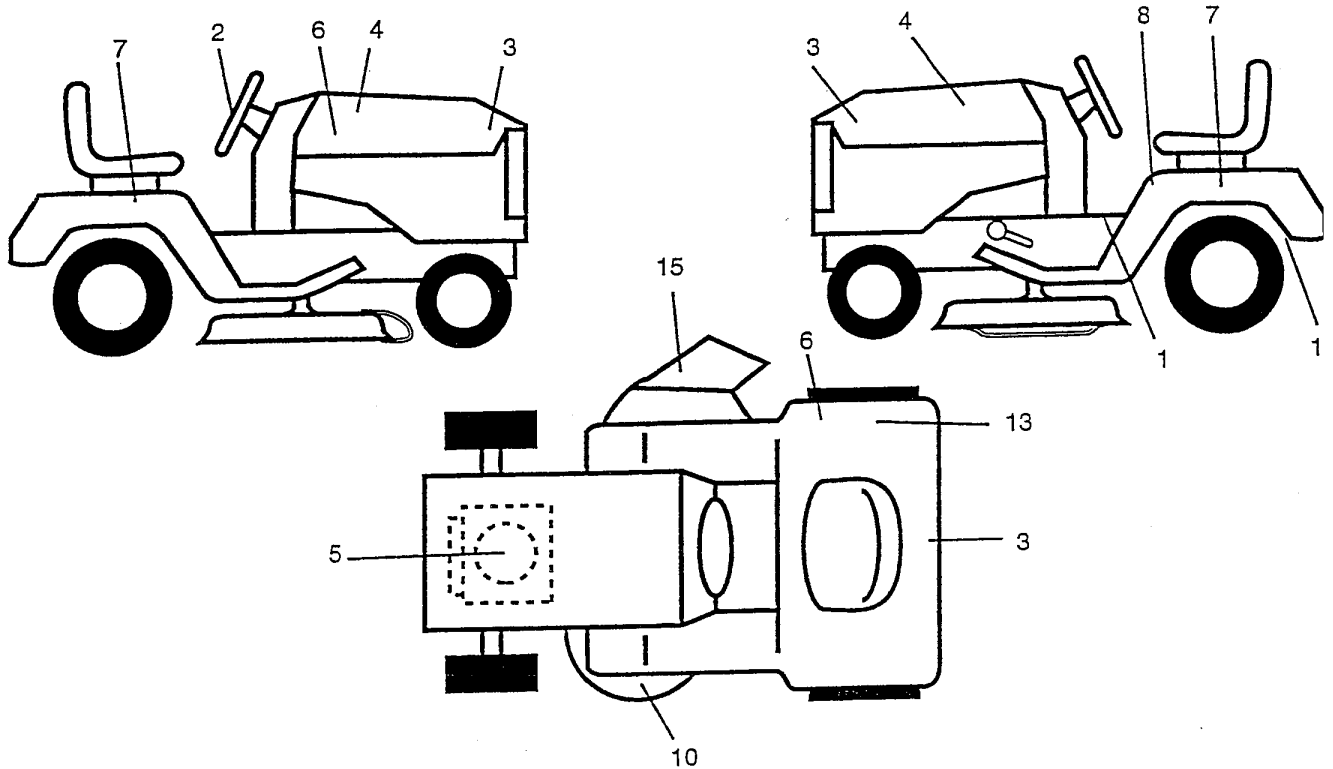
107 cm, 2 messen
18 pk B&S 2 cil.
hydrostatisch
15x6 en 18x8.50-8
225 L (optie)
zijwaarts
5 pos. 2,5 - 9 cm
lichten, geveerde zit

Snijbreedte
Motor
Versnellingen
Banden
Opvangbak
Uitworp
Hoogteregeling
Uitrusting

REPAIR PARTS

TRACTOR

DECALS



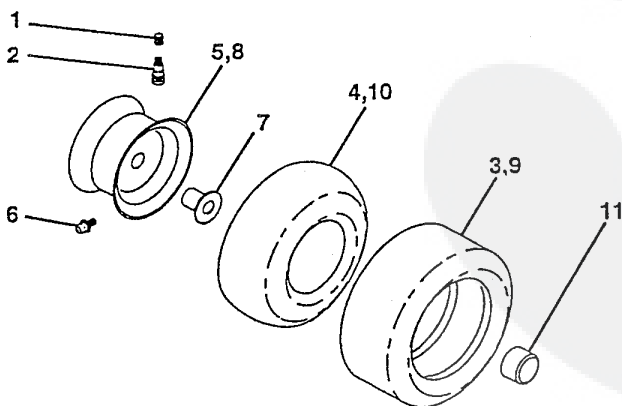
KEY NO.	PART NO.	DESCRIPTION
1	140837	Decal Saddle Brake Parking
2	153679	Decal Steering Wheel Insert
3	153053	Nameplate Large
4	153678	Decal Hood LH
5	272559	Decal B&S 16 HP Twin IC
6	145437	Decal Europe Stand CE
7	153696	Decal Fende Automatic
8	145498	Decal Read Owner's Manual Sym
10	136832	Decal Sch Ground Drive 42"/38"
13	125690X	Decal 100 DBA
15	145494	Decal Mower Cutting
17	146451	Decal Btry Dngr/Psn P/L Sym Ac
--	138311	Decal Handle Lft Height Adjust
--	142341	Decal Drawbar Control Mvt. Hyg.

KEY NO.	PART NO.	DESCRIPTION
--	145246	Pad Footrest Bbr. Sq.
--	145247	Fastener Pop-In Footrest
--	153393	Manual Operator's
--	153394	Manual Repair Parts

Available accessories not included with tractor:

--	LBD48	42" Snow Blade
--	LSB42	42" Snow Blower
--	LC05	Wheel Weights
--	C42	Grass Catcher
--	MK42	Mulch Kit
--	CH208	Tire Chains

WHEELS AND TIRES

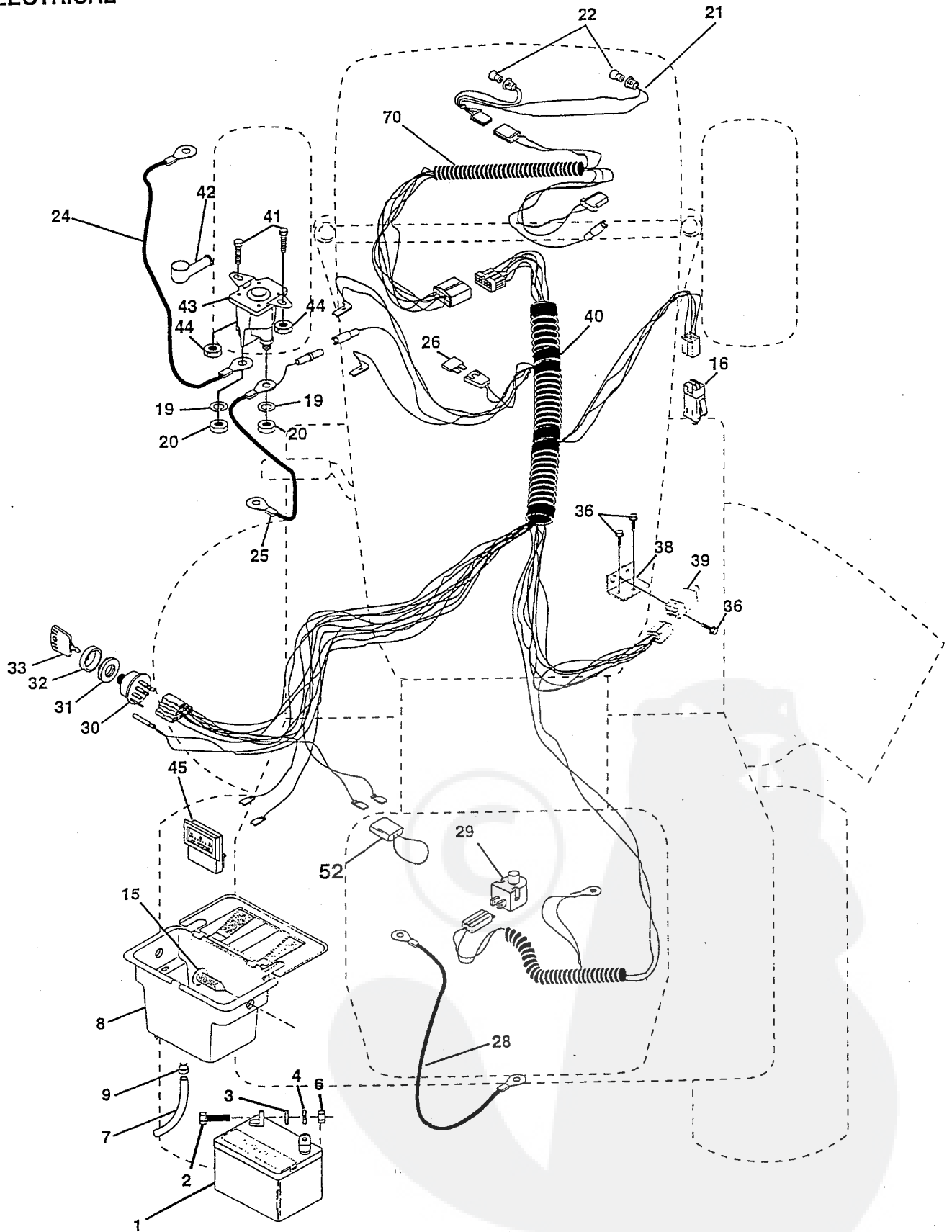


KEY NO.	PART NO.	DESCRIPTION
1	59192	Cap Valve Tire
2	65139	Stem Valve
3	106222X	Tire F Ts 15 X 6 0 - 6 Service
4	59904	Tube Front (Service Item Only)
5	106732X427	Rim Asm 6" front Yellow Service
6	278H	Fitting Grease (Front Wheel Only)
7	9040H	Bearing Flange (Front Wheel Only)
8	106108X427	Rim Asm 8" rear Yellow Service
9	138468	Tire R Ts 20 X 8-8 C Service
10	7152J	Tube Rear (Service Item Only)
11	104757X	Cap Axle Blk 1 50 X 1 00
--	144334	Sealant, Tire (10 oz. Tube)

NOTE: All component dimensions given in U.S. inches
1 inch = 25.4 mm

REPAIR PARTS TRACTOR

ELECTRICAL



REPAIR PARTS

TRACTOR

ELECTRICAL

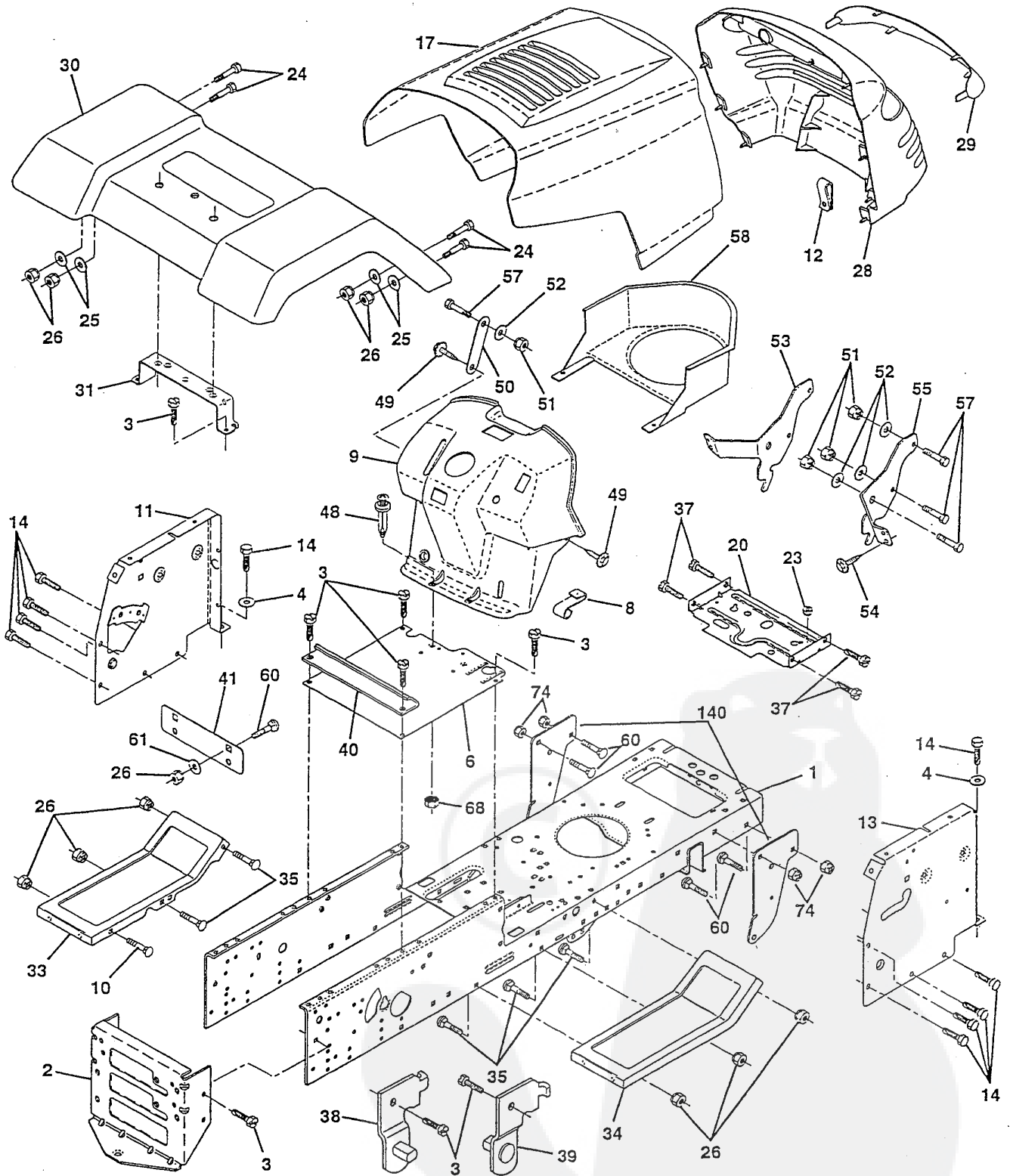
KEY PART NO. NO.	DESCRIPTION
1 146139	Battery 12 Volt 25 Amp
2 74760412	Bolt Hex Hd 1/4-20unc X 3/4
3 19091016	Washer 9/32 X 5/8 X 16 Ga
4 10040400	Washer Lock Hvy Helical 1/4
6 73220400	Nut Fin Hex 1/4-20 Unc
7 109238X	Tube Plastic 12"
8 144940	Case Battery w/2 Holes w/Bnty
9 109596X	Clamp Hose Olive
15 147688	Fastener Snap-In
16 153664	Switch, Interlock Push-In
19 10090400	Washer Lock 1/4
20 73350400	Nut Jam Hex 1/4-20 Unc
21 136850	Harness Socket Light
22 4152J	Bulb, Light # 1156
24 4206J	Cable Battery 6ga 22" Red
25 146147	Cable Battery 6 Ga Red w/16 wire
26 108824X	Fuse 30 Amp Auto Green
28 4207J	Cable Ground 6ga 12"black
29 121305X	Switch Plunger Nc Gray
30 140301	Switch Ign 4 Pos W/L P/L
31 124211X	Nut Ignition
32 141226	Cover Sw Key
33 122147X	Key Ign Molded Generic
36 17021008	Screw Hex Tapping # 10-24 Unc x 1/2
38 140336	Bracket Switch Interlock
39 109553X	Switch Interlock 4 Term
40 151212	Harness Ign
41 71110408	Bolt Fin Hex 1/4-20uncx 1/2
42 131563	Cover Terminal Red
43 145673	Solenoid
44 73640400	Nut Keps Blk Fin Hex 1/4-20 Unc x 1/2
45 121433X	Ammeter Rectangular 6 Amp
52 141940	Protection Loop
70 140712	Harness Eng LT P/L

NOTE: All component dimensions given in U.S. inches
1 inch = 25.4 mm

REPAIR PARTS

TRACTOR

CHASSIS AND ENCLOSURES



REPAIR PARTS

TRACTOR

CHASSIS AND ENCLOSURES

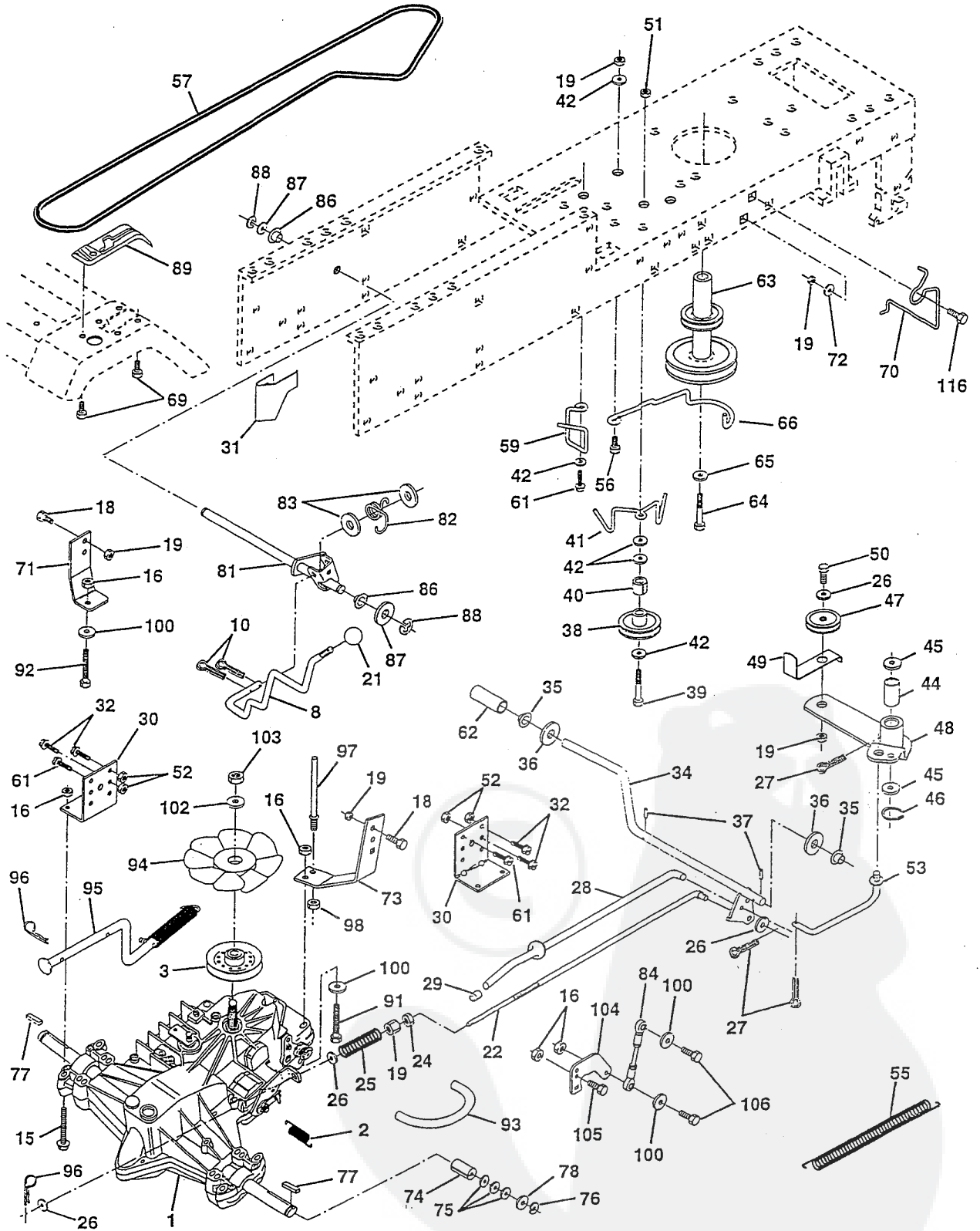
KEY NO.	PART NO.	DESCRIPTION
1	151169	Chassis Widmt. 11Ga. 1995
2	140356	Drawbar Stretch 94
3	17490612	Screw Thdrol. 3/8-16 x 3/4 Ty-Tt
4	19131216	Washer 13/32 x 3/4 x 16 Ga.
6	145206	Saddle Fender Shift Flat
8	126471X	Clip Insulator .406 Mtg Hole
9	140622	Dash Private Label w/Amm. Rect.
10	72140608	Bolt RdHd Sqnk. 3/8-16 Unc x 1
11	146965	Panel Asm. Dash Lh
12	145660	Clip Tinnerman Grile P/L
13	146959	Panel Dash Rh
14	17490608	Screw Thdrol. 3/8-16 x 1/2 Ty-Tt
17	139394X550	Hood Pnt Steel Private Label
20	145210	Plate Mtg Battery/Fuel Tank
23	124028X	Bushing Snap Nyl. Blk Fuel Line
24	74780616	Bolt Fin Hex 3/8-16 Unc x 1 Gr. 5
25	19131312	Washer 13/32 x 13/16 x 12 Ga.
26	73800600	Nut Lock Hex w/Insert 3/8-16 UNC
28	153409	Grill Private Lable Red
29	140273	Lens Grille Private label
30	140001X550	Fender Asm LT w/Shift MS-550
31	139976	Bracket Fender Support
33	145244X550	Footrest Pnt. Lh Ms-550
34	145243X550	Footrest Pnt. Rh Ms-550
35	72110606	Bolt RdHd Sht. Sqnk. 3/8-16 x 3/4
37	17490508	Screw Thdrol. 5/16-18 x 1/2 Tyt
38	139886	Bracket Asm. Pvt. Lh Mwr. Rear
39	139887	Bracket Asm. Pvt. Rh Mwr. Rear
40	139977	Spacer Fender Lt
41	139978	Plate Extension Fender Lt
48	138096	Fastener, Push-in
49	17490412	Screw Hex Wsh. Thdrol. 1/4-20 x 3/4
50	142779	Brace
51	73800400	Nut Lock Hex W/Ins. 1/4-20
52	19091416	Washer 9/32 x 7/8 x 16 Ga.
53	144697	Bracket Grille LH
54	17030814	Screw Lock Spider #8 x 7/8
55	144696	Bracket, Grille-RH
57	74780412	Bolt Fin Hex 1/4-20 x .75
58	140547	Air Duct Private Label B&S OPP Twin
60	72140606	Bolt RdHd Sqnk. 3/8-16 x 1 Gr. 5
61	19171416	Washer 17/32 x 7/8 x 16 Ga.
68	732140606	Bolt, Carriage 3/8-16 x 3/4
74	73680600	Nut, Crownlock 3/8-16
140	150556	Bracket, Chassis Front 7 Ga.
--	134014	Plug Dome Black

NOTE: All component dimensions given in U.S. inches
1 inch = 25.4 mm

REPAIR PARTS

TRACTOR

DRIVE



REPAIR PARTS

TRACTOR

DRIVE

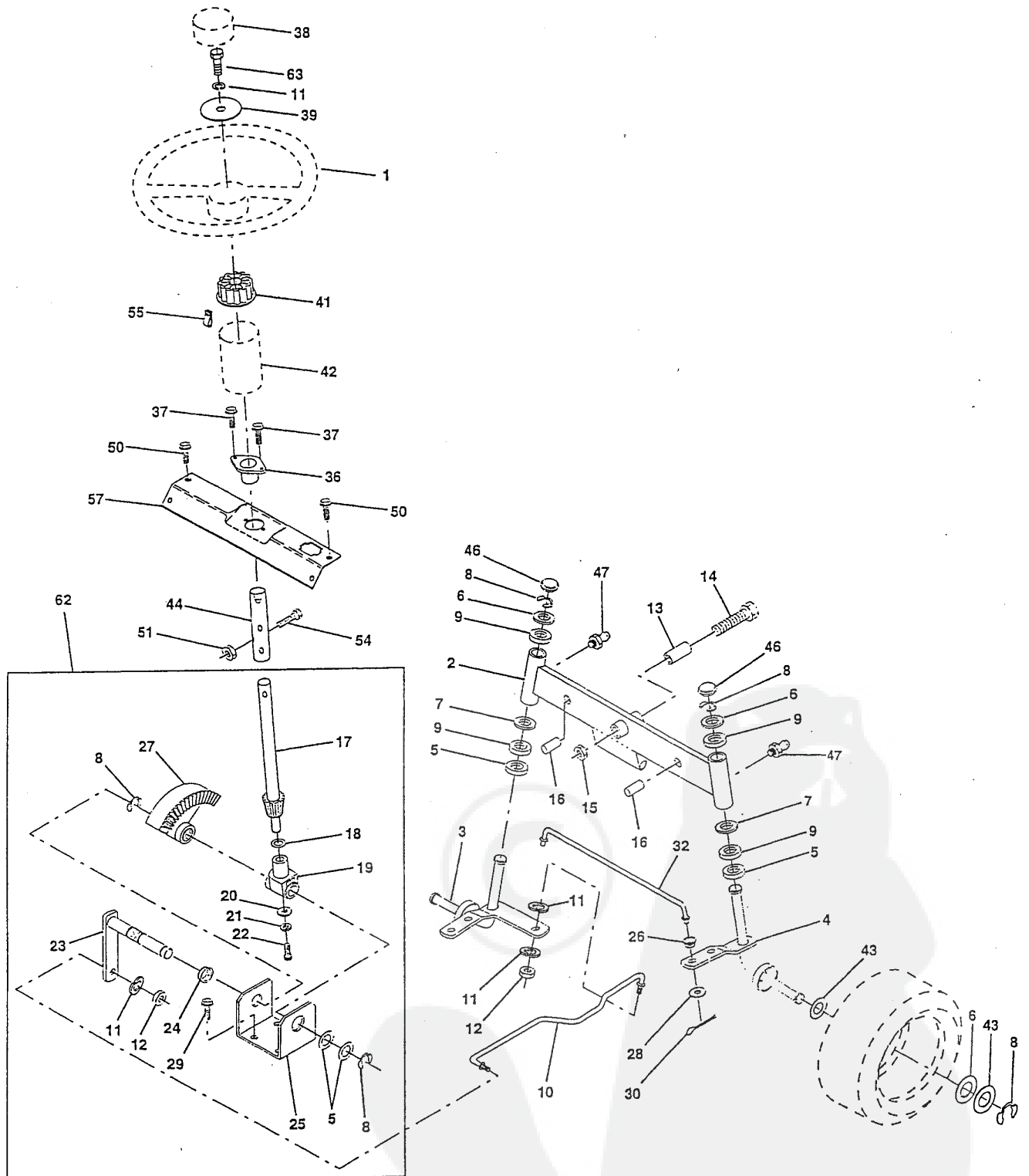
KEY NO.	PART NO.	DESCRIPTION	KEY NO.	PART NO.	DESCRIPTION
1	150071	Transaxle Assembly	59	140312	Keeper, Center Span
2	142431	Spring, Return, Brake	61	17490612	Screw Thdrol. 3/8-16 x 3/4 Ty. TT
3	143995	Pulley, Transaxle	62	123533X	Cover, Pedal Deluxe
8	141003	Rod Shift Hydro LT	63	140186	Pulley, Engine
10	76020416	Pin Cotter 1/8 x 1 CAD	64	71170764	Bolt, Hex 7/16-20 x 4 Gr. 5
15	74490544	Bolt Hex FLGHD 5/16-18 Gr. 5	65	10040700	Washer
16	73800500	Nut Lock Hex W/Ins. 5/16-18 Unc	66	153400	Keeper Belt Engine
18	74780616	Bolt Fin Hex 3/8-16 Unc x 1 Gr. 5	69	142432	Screw
19	73800600	Nut Lock Hex W/Wsh 3/8-16 Unc	70	134683	Keeper Belt Engine
21	121274X	Knob, Duckhead 1/2-13	71	140158	Strap Torque Lh Hydro 18/20" T
22	145627	Rod, Brake Hydro	72	19132012	Washer 13/32 x 1-1/4 x 12 Gauge
24	73350600	Nut, Hex Jam 3/8-16 Unc	73	140157	Strap Torque Rh Hydro 18/20" T
25	106888X	Spring, Brake Rod	74	121199X	Spacer, Split
26	19131316	Washer	75	121749X	Washer 25/32 x 1-1/4 x 16 Gauge
27	76020412	Pin Cotter 1/8 x 3/4 CAD.	76	12000001	E-Ring
28	145204	Rod, Parking Brake	77	123583X	Key, Square
29	71673	Cap, Parking Brake	78	121748X	Washer 25/32 x 1-5/8 x 16 Gauge
30	130807	Bracket, Transaxle	81	140154	Shaft Asm. Cross Hydro 20" Tires
31	127275X	Keeper Belt Lh	82	123782X	Spring Torsion T/A
32	74760512	Bolt Hex Hd 5/16-18 Unc x 3/4	83	19171216	Washer 17/32 x 3/4 x 16 Ga.
34	151128	Shaft, Foot Pedal	84	140548	Rod, Tie Hydro 20" Tires
35	120183X	Bearing, Nylon	86	71208	Bushing Rod Strig. 629/632 ID
36	19211616	Washer	87	19212016	Washer 21/32 x 1-1/4 x 16 Ga.
37	1572H	Pin, Roll	88	12000008	Ring Klip #5304-62
38	123674X	Pulley, Idler, Flat	89	151147	Console, Shift
39	74760644	Bolt	91	74780536	Bolt Fin Hex 5/16-18 x 2-1/4
40	4470J	Spacer, Split	92	74780524	Bolt Fin Hex 5/6-18 Unc x 1-1/2
41	153399	Keeper, Belt Idler	93	142564	Line Fuel Hydro 4"
42	19131312	Washer 13/32 x 13/16 x 12 Gauge	94	140462	Fan, Hydro 7"
44	105706X	Bearing, Nylon	95	144643	Control Bypass Hydro 20" Tires
45	110812X	Washer, Hardened	96	4497H	Retainer Spring 1" Zinc/Cad
46	12000039	Ring, Klip	97	140469	Keeper Bolt Rh Hydro 0750. 18/20"
47	127783	Pulley, Idler, V-Groove	98	73510600	Nut Keps Hex 3/8-16 Unc
48	123789X	Bellcrank Assembly	100	19111216	Washer 11/32 x 3/4 x 16 Ga.
49	123205X	Retainer, Belt	102	141322	Washer Belleville .501D x 1.50D
50	74760624	Bolt	103	73940800	Nut Hex Jam Toplock 1/4-20 Unf
51	73680600	Nut Crownlock 3/8-16 UNC	104	140156	Arm, Control Hydro
52	73680500	Nut, Crownlock 5/16-18 Unc	105	71070516	Screw Cap Hex 5/16 x 18 x 1
53	105710X	Link, Clutch	106	74780520	Bolt Fin Hex 5/16-18 Unc x 1-1/4
55	105709X	Spring, Return, Clutch	116	72110610	Bolt, Carriage 3/8-16 x 1.25
56	74760620	Bolt Hex 3/8-16 x 1-1/4			
57	140294	V-Belt, Ground Drive			

NOTE: All component dimensions give in U.S. inches
1 inch = 25.4 mm.

REPAIR PARTS

TRACTOR

STEERING ASSEMBLY



REPAIR PARTS

TRACTOR

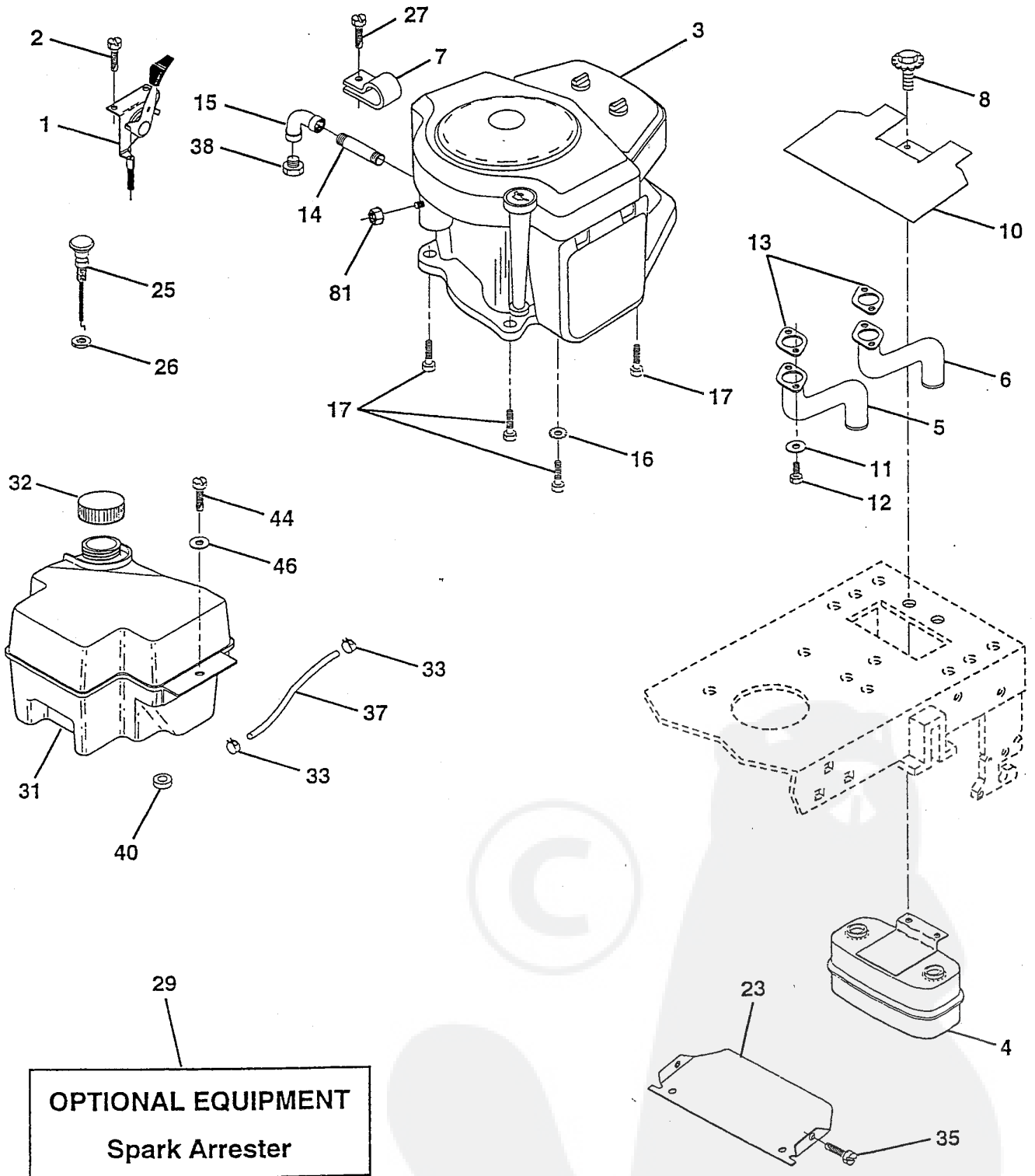
STEERING ASSEMBLY

KEY NO.	PART NO.	DESCRIPTION
1	121472X	Wheel Steering Auto Blk
2	142033	Axle Asm Fr LT W/gzks 38/42
3	135227	Spindle Asm LH
4	135228	Spindle Asm RH
5	6266H	Bearing Race Thrust Harden
6	121748X	Washer 25/32 X 1-5/8 X 16 Ga
7	19272016	Washer 27/32 X 1-1/4 X 16 Ga
8	12000029	Ring Klip #t5304-75
9	3366R	Bearing Col Strg Blk
10	130468	Link Drag Sol Ball Jt 20 064
11	10040600	Washer Lock Hvy Hlcl Spr 3/8
12	73610600	Nut Fin Hex 3/8-24 Unf
13	110438X	Spacer Bearing Axle Front
14	74011056	Bolt Hex 5/8-11 Unc X 3-1/2
15	73901000	Nut Lock Flange 5/8-11 Unc
16	132624	Pin Axle 5/8 X 1 55/1 54 Lg
17	140176	Shaft Asm Strg
18	57079	Washer Thrust 515x 750x 033
19	124035X	Support Shaft
20	126684X	Washer Shim 1/4 X 5/8 X 062
21	10040400	Washer Lock Hvy Helical 1/4
22	71100410	Screw Cap Socket Head Phos & Oil
23	127501	Shaft Asm Pittman
24	109816X	Nyliner Snap In
25	124036X	Bracket Steering
26	126847X	Bushing Link Drag Blk LR
27	136874	Gear Sector 22 Teeth
28	19131416	Washer 13/32 X 7/8 X 16 Ga
29	17490612	Screw Thdrol 3/8-16x3/4 Ty-tt
30	76020412	Pin Cotter 1/8 X 3/4 Cad
32	130465	Rod Tie Wire Form 19 75 Mech
36	102803X	Bushing Steering
37	152927	Screw TT #10-32.5 x 3/8 Flange
38	126805X	Insert Cap Strg. Wh. Auto
39	19133808	Washer 13/32 x 2-3/8 x 8 Ga
41	100711L	Adapter Wheel Strg .758/.753
42	140216	Boot Shaft Steering
43	121749X	Washer 25/32 X 1 1/4 X 16 Ga
44	153721	Shaft Extension Steering P/L
46	121232X	Cap Spindle Fr Top Blk
47	6855M	Fitting Grease
50	17490412	Screw Hex Wsh Thdrol 1/4-20 x 3/4
51	73800500	Nut Lock Hex W/Ins. 5/16-18 Unc P
54	74780520	Bolt Fin Hex 5/16-18 Unc P
55	140285	Clip Timmerman
57	140172	Support Shaft Steering
62	149686	Kit Steering Assembly Service
63	74780616	Bolt, Fin Hex 3/8-16 UNC x 1.0 Gr. 5

NOTE: All component dimensions given in U.S. inches
1 inch = 25.4 mm

REPAIR PARTS TRACTOR

ENGINE



REPAIR PARTS

TRACTOR

ENGINE

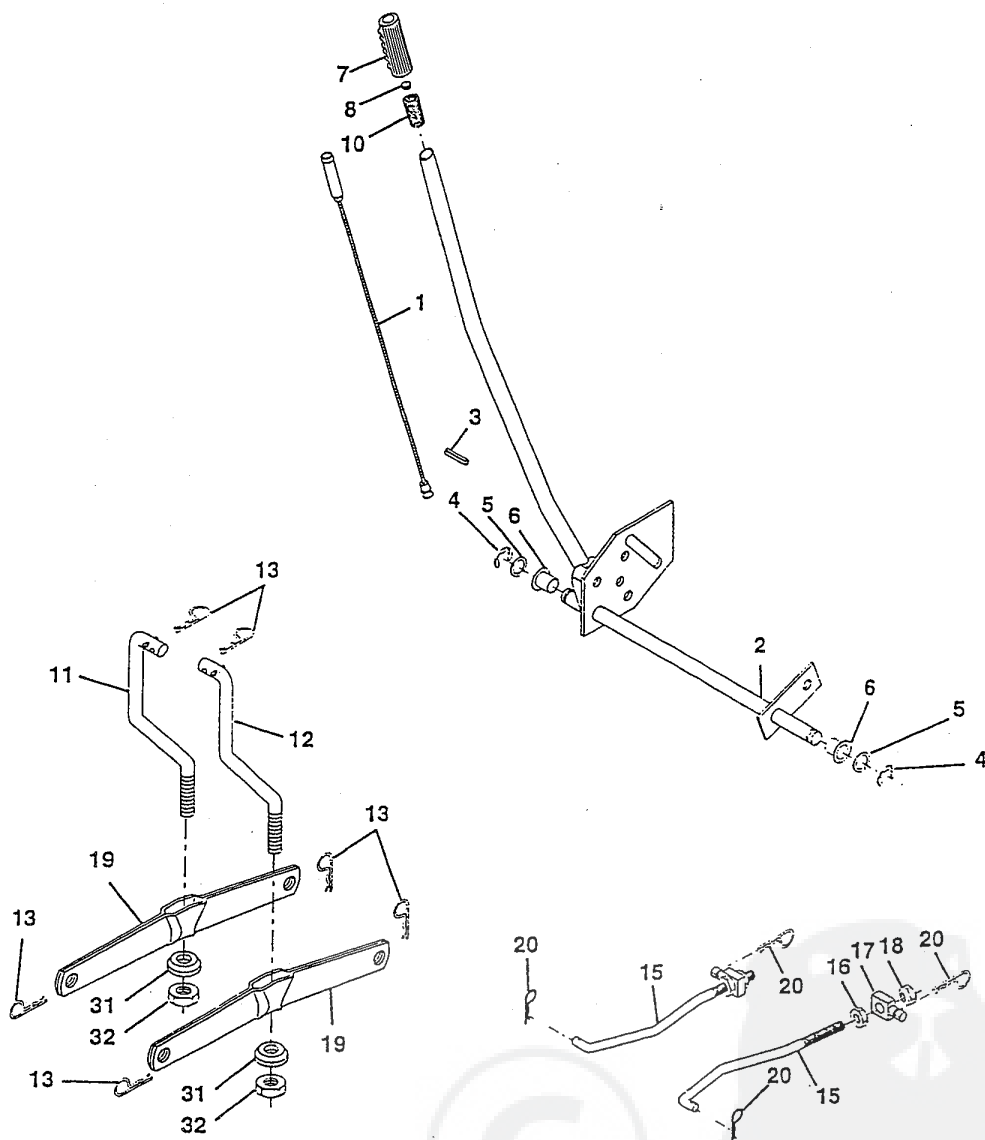
KEY NO.	PART NO.	DESCRIPTION
1	141295	Control Throttle Fig LH 35.5
2	17720410	Screw Hex Thd Cut 1/4-20x5/8 T
3	-----	Engine B&S 16hp, Model No. 42D707
4	149723	Muffler Exhaust
5	144069	Exhaust Asm. Left
6	144068	Exhaust Asm. Right
7	138129	Clamp Tube Double Engine
8	150176	Bolt 5/16-8 UNC x 3/4 w/Sems
10	145552	Shield Pnt Heat
11	10040400	Washer Lock Hvy. Helical 1/4
12	74780412	Bolt Fin Hex 1/4-20 x 3/4
13	272250	Gasket Muffler
14	13280336	Nipple Pipe 4-1/2"
15	13200300	Elbow Std 90 Degree 3/8-18 Npt
16	11050600	Washer Lock Ext Tooth 3/8
17	17490624	Screw Thdrol 3/8-16x1-1/2 Tytt
23	150554	Shield Pnt Heat Browning Grass
25	145996	Control Choke
26	73920600	Nut, Keps 3/8-24 UNF
27	152927	Screw TT #10-32.5 x 3/8 Flange
29	137180	Arrestor Spark
31	140280	Tank Fuel 2.00 Gal Front
32	140527	Cap Asm Fuel W/sym Vented
33	123487X	Clamp Hose Blk
35	17490512	Screw, Thdrol 5/16-18 x 3/4 Tytt
37	137040	Line Fuel
38	-----	Plug Oil Drain (Order From Engine Manufacturer)
40	124028X	Bushing, Snap, Nyl. Blk Fuel Line
44	17490412	Screw, Hx Wsh Thdrol 1/4-20 x 3/4
46	19091416	Washer 9/32 x 7/8 x 16 Ga.
81	128861	Nut, Fange 1/4-20 Starter Nut

NOTE: All component dimensions given in U. S. inches
1 inch = 25.4 mm

REPAIR PARTS

TRACTOR

LIFT



KEY NO.	PART NO.	DESCRIPTION
1	136973	Wire Asm Inner W/Plunger
2	140278	Shaft Asm Lft LH
3	138284	Pin Groove
4	12000002	E-ring Truarc #5133-62
5	19211621	Washer Pltd 21/32 X 1 X 21 Ga
6	120183X	Bearing Nylon
7	125631X	Grip Handle Fluted
8	124526X	Button Plunger Black
10	122512X	Spring Cprsn
11	139865	Link Lift LH
12	139866	Link Lift RH
13	4939M	Retainer Spring

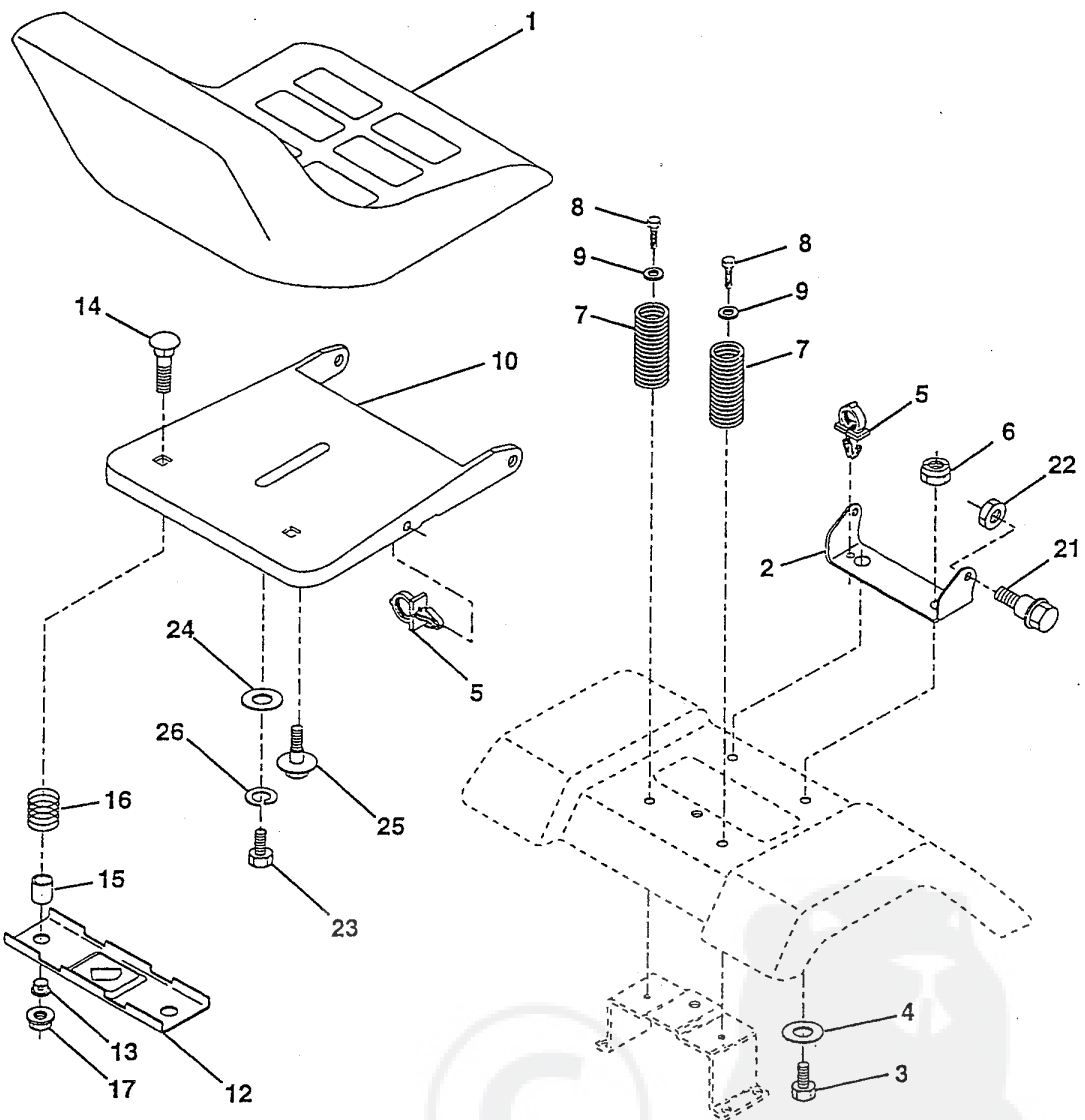
KEY NO.	PART NO.	DESCRIPTION
15	127218	Link Front
16	73350800	Nut Jam Hex 1/2-13 Unc
17	130171	Trunnion Blk Zinc
18	73800800	Nut Lock W/wsh 1/2-13unc
19	139868	Arm Suspension Rear
20	3146R	Retainer Spring
31	140302	Bearing Pvt. Lift Spherical
32	73540600	Nut Crownlock 3/8-24

NOTE: All component dimensions given in U.S. inches
1 inch = 25.4 mm

REPAIR PARTS

TRACTOR

DECALS



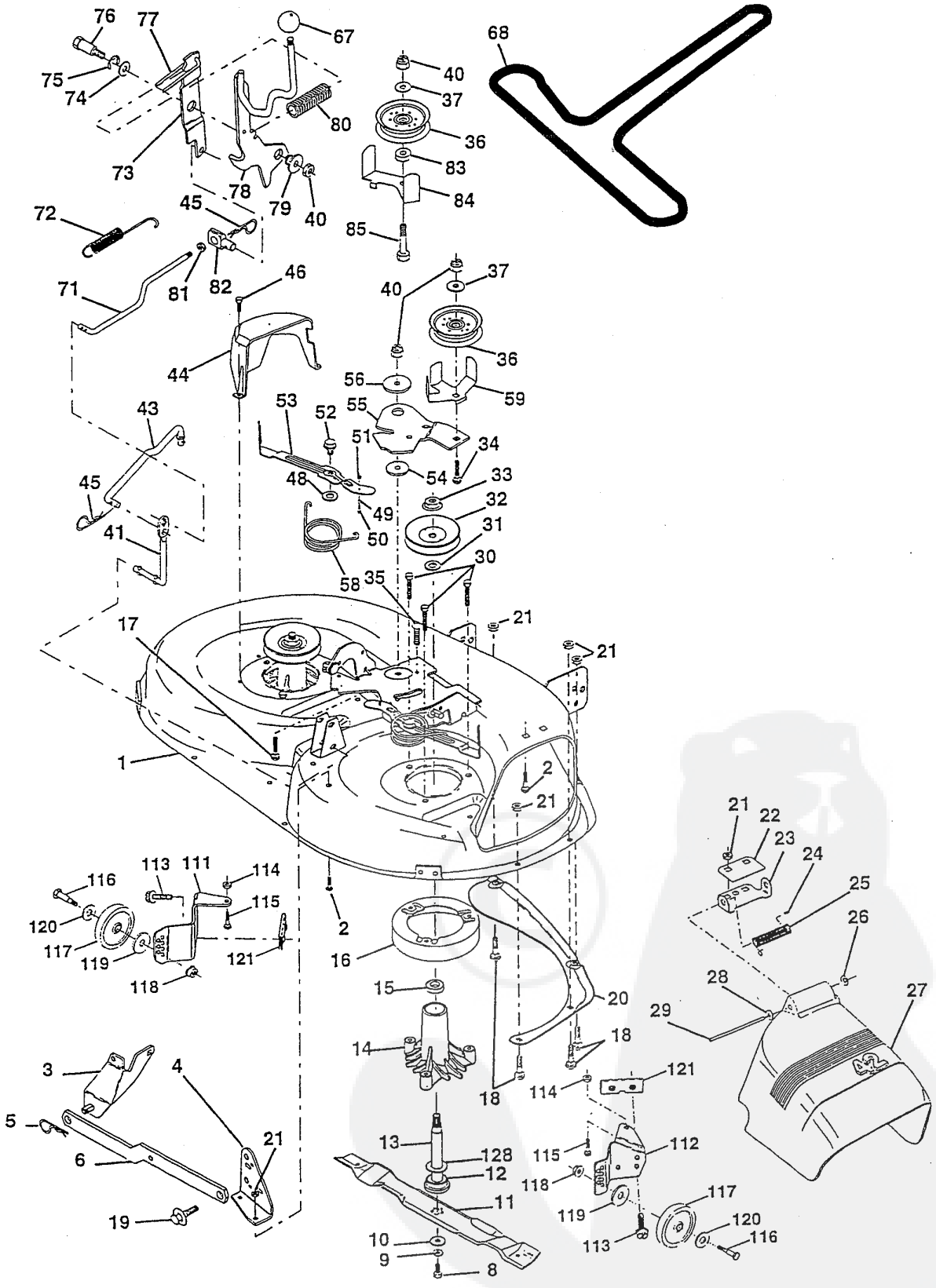
KEY NO.	PART NO.	DESCRIPTION
1	140117	Seat 2400/1416 Blk/blk AYPPL
2	140551	Bracket Pivot Seat 8 720
3	74760616	Bolt Fin Hex 3/8-16 Unc x 1
4	19131610	Washer Flat 13/32 x 1 x 10 Ga
5	145006	Clip Push In Hinged
6	73800600	Nut Crownlock 3/8-16 Unc
7	124181X	Spring Seat Cprsn 2 250 Blk Zi
8	17490616	Screw Thdrol 3/8-16 X 1 Ty-tt
9	19131614	Washer 13/32 X 1 X 14 Ga
10	140552	Pan Seat
12	121246X	Bracket Mounting Switch
13	121248X	Bushing Snap Blk Nyl 50 Id
14	72050411	Bolt Rdhd Sht Nk 1/4-20x1-3/8

KEY NO.	PART NO.	DESCRIPTION
15	134300	Spacer Split 28x 96 Yel Zinc
16	121250X	Spring Cprsn 1 27 Blk Pnt
17	123976X	Nut Lock 1/4 Lge Flg Gr 5 Zinc
21	153236	Bolt Shoulder 5/16-18 Unc Blkz
22	73680500	Nut Crown Lock 5/16-18
23	74780814	Bolt Fin Hex 1/2-13 X 7/8 Gr 5
24	19171912	Washer 17/32 X 1-3/16 X 12 Ga
25	127018X	Bolt Shoulder 5/16-18 X 62
26	10040800	Washer Lock Hvy Hlcl Spr 1/2

NOTE: All component dimensions given in U.S. inches
1 inch = 25.4 mm

REPAIR PARTS TRACTOR

MOWER DECK



REPAIR PARTS

TRACTOR

MOWER DECK

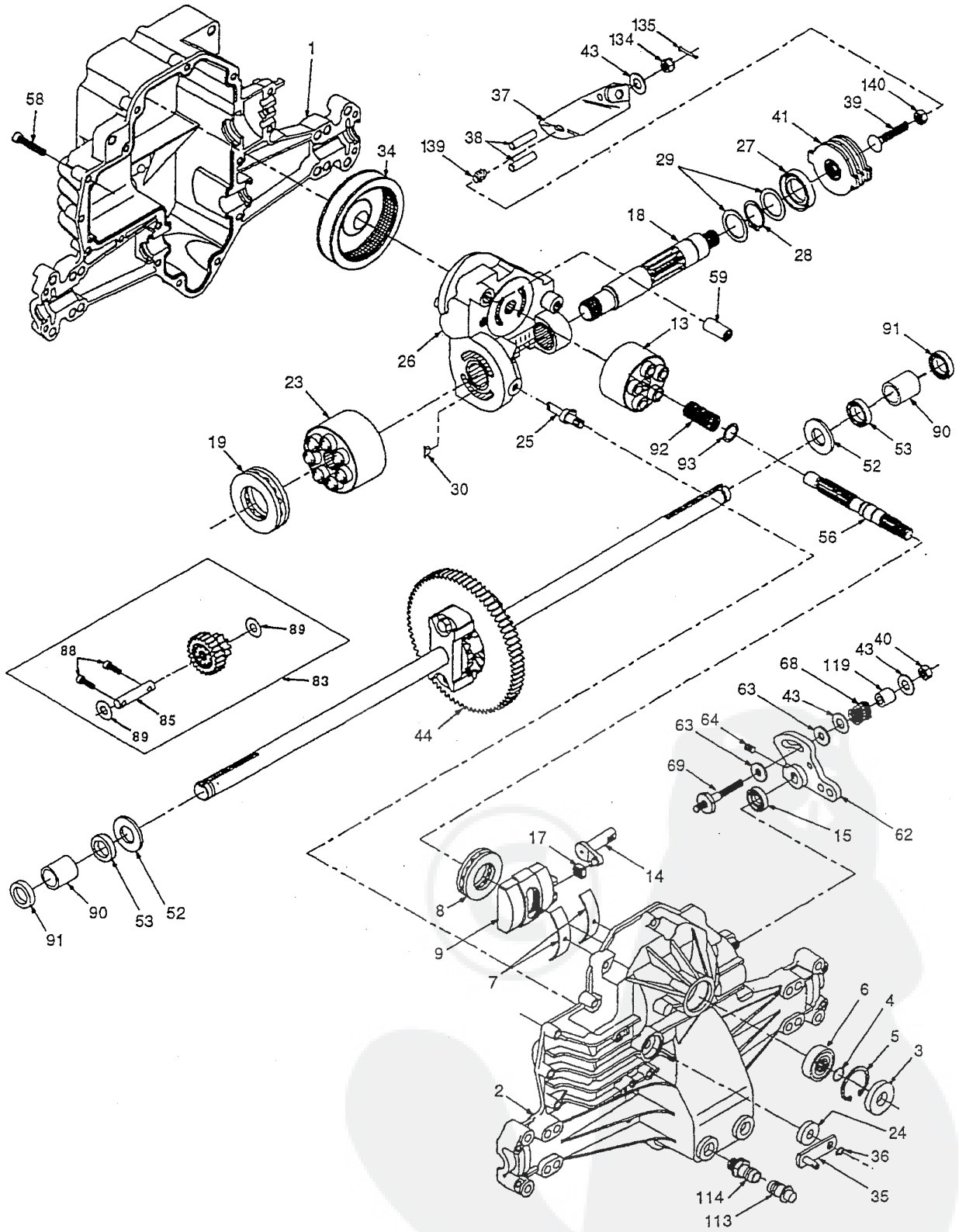
KEY NO.	PART NO.	DESCRIPTION	KEY NO.	PART NO.	DESCRIPTION
1	144393	Mower Housing	45	4497H	Spring Retainer 1" Zinc/cad
2	72140506	Bolt Rdhd Sqnk 5/16-18unc X3/4	46	137729	Screw Hex Thd Cut
3	138017	Bracket Asm Fr Sway Bar 38/42	48	133944	Washer Hardened Smaller
4	138440	Bracket Asm Deck 42" sway Bar	49	133940	Roller Asm Cam Follower 42" dec
5	4939M	Retainer Spring	50	131340	Bolt Shldr 10-24 Zinc Gr 5 42"
6	130832	Arm Suspension Rear	51	69180	Nut Lock #10-24 Unc
8	850857	Bolt 3/8-24 X 1 1/4	52	139888	Bolt Shoulder 5/16-18 Unc Blkz
9	10030600	Washer Lock Hvy 3/8	53	131845	Arm Asm Pad Brake
10	140296	Washer Hard Blade Mower Vented	54	133943	Washer Hardened
11	138498	Blade High Perf 42"	55	140084	Arm Idler 42" mower LT/YT
12	129895	Bearing Ball	56	122052X	Spacer Retainer Pm Mower
13	137645	Shaft Asm W/lower Bearing	58	140086	Spring Torsion Brakes 42"
14	128774	Housing Mandrel Vented	59	141043	Guard TUV Idler
15	110485X	Bearing Ball Mandrel	67	121274X	Knob Duckhead 1/2-13
16	140329	Stripper Mower Vented	68	144200	V-Belt Mower
17	72110610	Bolt Rdhd Sqnk 3/8-16 X 1-1/4	71	142427	Rod Clutch Primary 38/42
18	72140505	Bolt Rdhd Sqnk 5/16-18 X 5/8	72	131870	Spring Return
19	132827	Bolt Shoulder	73	127847	Arm Clutch Secondary
20	136888.	Baffle Vortex 42	74	121748X	Washer 25/32 X 1-5/8 X 16 Ga
21	73680500	Nut Crownlock 5/16-18 UNC	75	12000029	Ring Klip #t5304-75
22	134753	Stiffener Bracket 42" deck	76	128903	Bolt Shoulder 3/8-16 Unc 1 44
23	131267	Bracket Deflector Mower 42"	77	127845	Keeper Spring 4 000
24	105304X	Cap Sleeve 80x 112 Blk Mower	78	140179	Lever Asm Clutch Primary P/L
25	123713X	Spring Torsion Deflector 2 52	79	127498	Bushing 747 Od X 794 Lg Brass
26	110452X	Nut Push Phos & Oil	80	128759	Spring Clutch Mower 2 750 Zinc
27	130968	Shield Deflector Mower 42" Blk	81	73350600	Nut Hex Jam 3/8-16 Unc
28	19111016	Washer 11/32 X 5/8 X 16 Ga	82	142028	Trunnion Adj
29	131491	Rod Hinge 42" 6 75 Wlg	83	120958X	Washer Sintered
30	138776	Screw Thdrol Hex Head Zinc Mwr	84	144394	Keeper Belt Idler Fixed
31	129963	Washer Spacer Mower Vented	85	72140618	Bolt Rdhd Sqnk 3/8-16 x 2-1/4
32	153535	Pulley Mandrel 42"/44"/50"	128	153390	Washer Felt
33	137266	Nut 9/16 Top Lock Fing	--	130794	Mandrel Asm Service (Includes Key Nos. 8-10, 12-15, 31 and 33)
34	72110614	Bolt Rdhd 3/8-16uncx1-3/4 Gr5	--	144783	Deck Serv (Std. Deck - Order seperately gauge wheel components 111-121.)
35	133835	Fastner Christmas Tree			
36	131494	Pulley Idler Flat 3 060			
37	19131316	Washer 13/32 x 13/16 x 16 Ga			
40	73680600	Nut Crownlock 3/8-16 UNC			
41	133551	Rod Pivot W/nibs			
43	140083	Rod Clutch Secondary W/nibs			
44	140088	Guard Mandrel LH Black			

NOTE: All component dimensions given in U.S. inches
1 inch = 25.4 mm

REPAIR PARTS

TRACTOR

TRANSAXLE HYDRO GEAR - MODEL NUMBER 310-0650



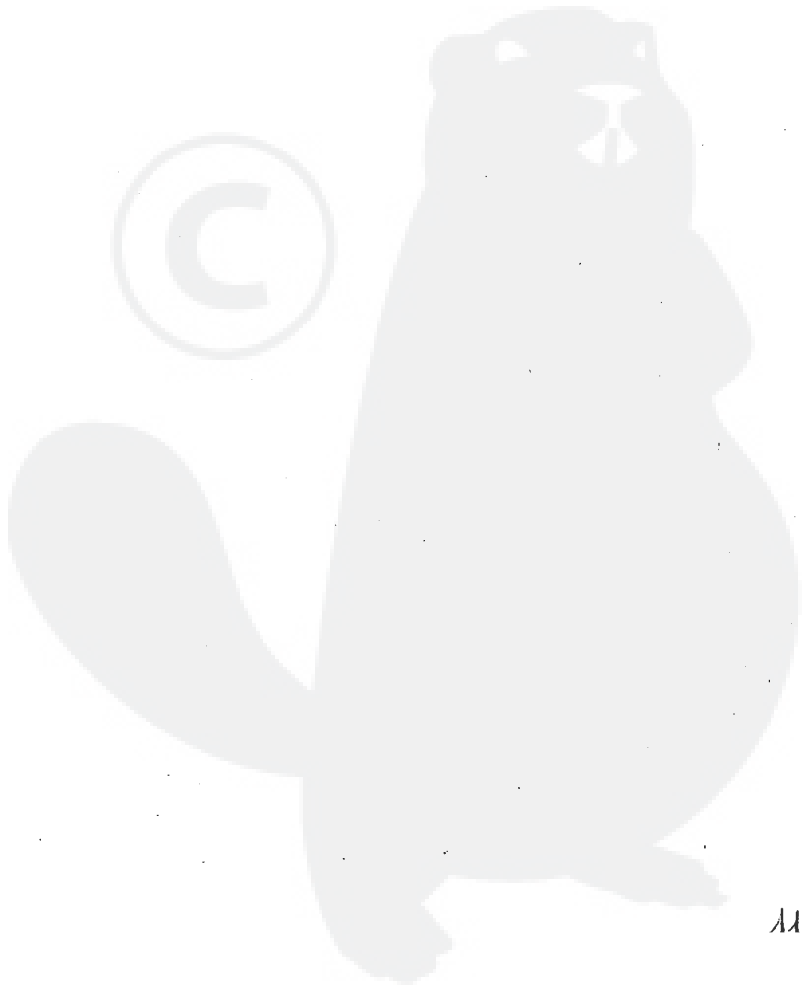
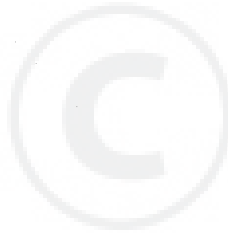
REPAIR PARTS

TRACTOR

TRANSAXLE HYDRO GEAR - MODEL NUMBER 310-0650

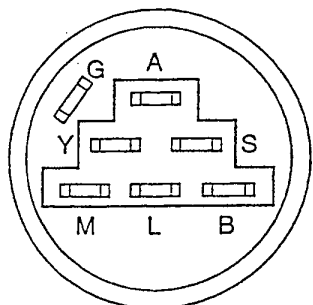
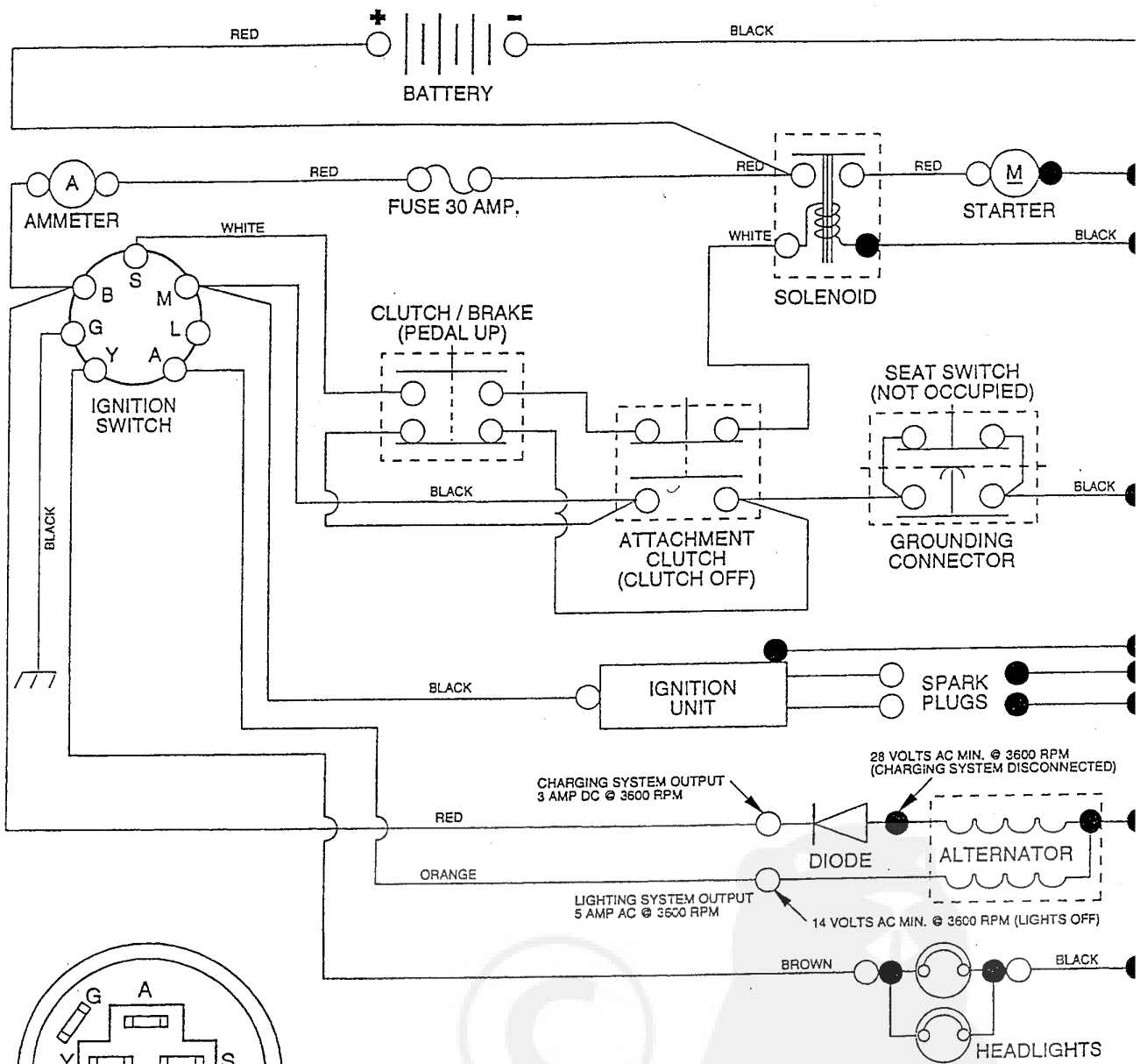
KEY PART NO. NO.	DESCRIPTION	KEY PART NO. NO.	DESCRIPTION
1 142930	Housing, Lower	43 142884	Washer 7/16 x 7/8 x .060
2 142931	Assembly, Upper Housing	44 150829	Differential Assembly
3 142932	Seal, Lip	52 142991	Washer 3/4 x 1.5 x .13
4 142928	Ring, Wire Retaining	53 142961	Seal .75 x 1.25 x .250
5 142933	Ring, Retaining	56 142963	Shaft, Input
6 142934	Bearing, Shaft Ball	58 142964	Bolt 1/4-20 x 1.38
7 142935	Bearing, Cradle	59 142965	Pin .5 OD x .43 ID x .750
8 150771	Bearing, Thrust 30 x 52 x 13	62 142966	Arm, Control
9 142937	Swashplate, Variable	63 142967	Puck, Dampener
13 142938	Block, Cylinder Assembly	64 142920	Set Screw
14 142939	Arm, Trunnion	68 142969	Spring
15 142940	Seal, Lip	69 144610	Stud 5/16-24
17 142941	Guide, Slot	83 142971	Jackshaft Assembly
18 150772	Shaft, Motor	85 150806	Jackshaft
19 150773	Bearing, Thrust 42 x 68 x 16	88 142973	Screw, Cap
23 142944	Block, Cylinder Assembly	89 142974	Washer 7/16 x 1 x 1/2
24 142945	Seal, Lip 10 x 25 x 7	90 142975	Sleeve Bearing
25 142946	Actuator, Bypass	91 142976	Seal, Wiper
26 150774	Center Section Assembly Kit	92 142977	Spring, Block
27 142948	Seal, Lip 26 x 42 x 8	93 142978	Washer, Block Thrust
28 142949	Ring, Retaining	113 142917	Cap, Vent Assembly
29 142950	Washer 26 x 35 x 1	114 142918	Fitting, O-Ring Assembly
34 142951	Oil Filter Element	119 142980	Spacer
35 142952	Arm, Bypass	134 144607	Nut, Castle 5/16-24
36 142953	Ring, Retaining	135 144608	Pin, Cotter
37 142954	Arm, Actuating	139 150775	Spring, Compression
38 142955	Pin, Actuating	140 150776	Nut, Hex 5/16-24
39 150777	Bolt 5/16-24 x 1-3/4		
40 150778	Locknut, Hex 5/16-24 UNJC		
41 142958	Brake Rotor/Stator Kit		

NOTE: All component dimensions given in U.S. inches
1 inch = 25.4 mm



TRACTOR

SCHEMATIC



IGNITION SWITCH

POSITION	CIRCUIT	"MAKE"
OFF	G + M + L	NONE
RUN/LIGHT	B + L	A + Y
RUN	B + L	NONE
START	B + L + S	NONE

- NON-REMOVABLE CONNECTIONS
- REMOVABLE CONNECTIONS

WIRING INSULATED CLIPS

NOTE: IF WIRING INSULATED CLIPS WERE REMOVED FOR SERVICING OF UNIT, THEY SHOULD BE REPLACED TO PROPERLY SECURE YOUR WIRING

NOTE

YOUR TRACTOR IS EQUIPPED WITH A SPECIAL ALTERNATOR SYSTEM. THE LIGHTS ARE NOT CONNECTED TO THE BATTERY, BUT HAVE THEIR OWN ELECTRICAL SOURCE. BECAUSE OF THIS, THE BRIGHTNESS OF THE LIGHTS WILL CHANGE WITH ENGINE SPEED. AT IDLE THE LIGHTS WILL DIM. AS THE ENGINE IS SPEEDED UP, THE LIGHTS WILL BECOME THEIR BRIGHTEST.