

OWNER'S MANUAL
42 INCH AND 48 INCH
ROTARY MOWER
ATTACHMENT
MODEL NO.
TT728CR AND TT738CR



*Mette en fée
livre le 23/5/1986*

ROPPER

MR. VANROSEN BROEK

02. 452 84 72

LAWN AND GARDEN
POWER EQUIPMENT



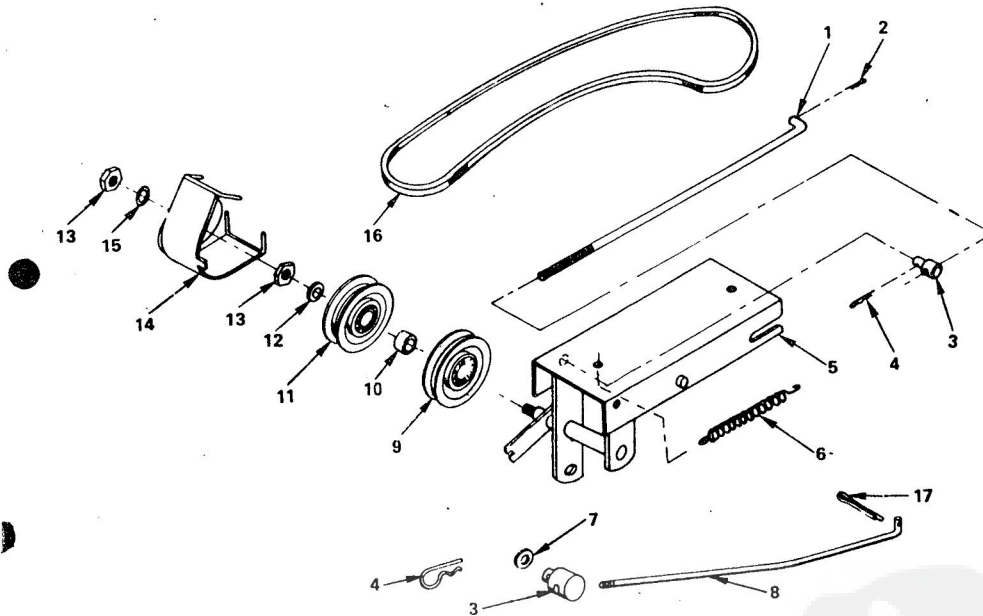
OUTDOOR POWER PRODUCTS

DIVISION OF ROPER CORPORATION

1905 WEST COURT STREET

REPAIR PARTS

42" ROTARY MOWER--MODEL NUMBER TT728CR
48" ROTARY MOWER--MODEL NUMBER TT738CR

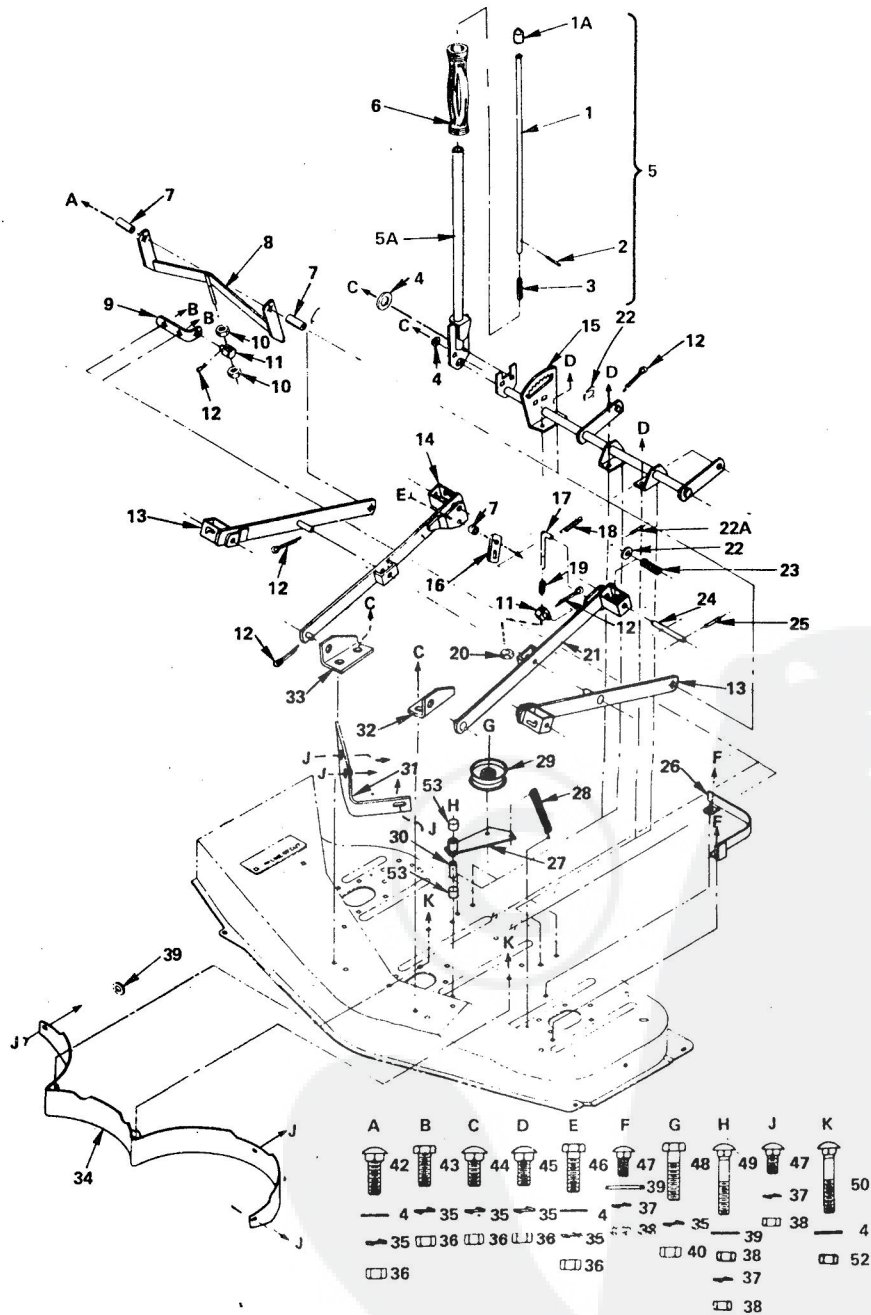


KEY NO.	42"	48"	PART NO.	DESCRIPTION
1	X	X	3705R	Belt Tightener Link
2	X	X	4939M	Retainer Spring
3	X	X	3707R	Adjusting Pin
4	X	X	4940M	Retainer Spring
5	X	X	634A619	Idler Shaft Assembly
6	X	X	3218J	Spring
7	X	X	1569P	Washer 9/16 x 15/16 x 11 Ga.
8	X	X	3766R	Snubber Pull Rod
9	X	X	634A565	Inside Idler
10	X	X	5386H	Bushing
11	X	X	634A566	Outside Idler
12	X	X	1519P	Washer 15/32 x 1 x 12 Ga.
13	X	X	516P	*Hex Nut 7/16 - 20 UNF
14	X	X	634A618	Belt Guide Weldment - Front
15	X	X	1001P	*Lockwasher 7/16 - Heavy
16	X	X	6941R	V-Belt (Engine to Center Mandrel)
17	X	X	2510P	Cotter Pin 5/32 x 1

*STANDARD HARDWARE--PURCHASE LOCALLY

REPAIR PARTS

42" ROTARY MOWER--MODEL NUMBER TT728CR
48" ROTARY MOWER--MODEL NUMBER TT738CR



REPAIR PARTS

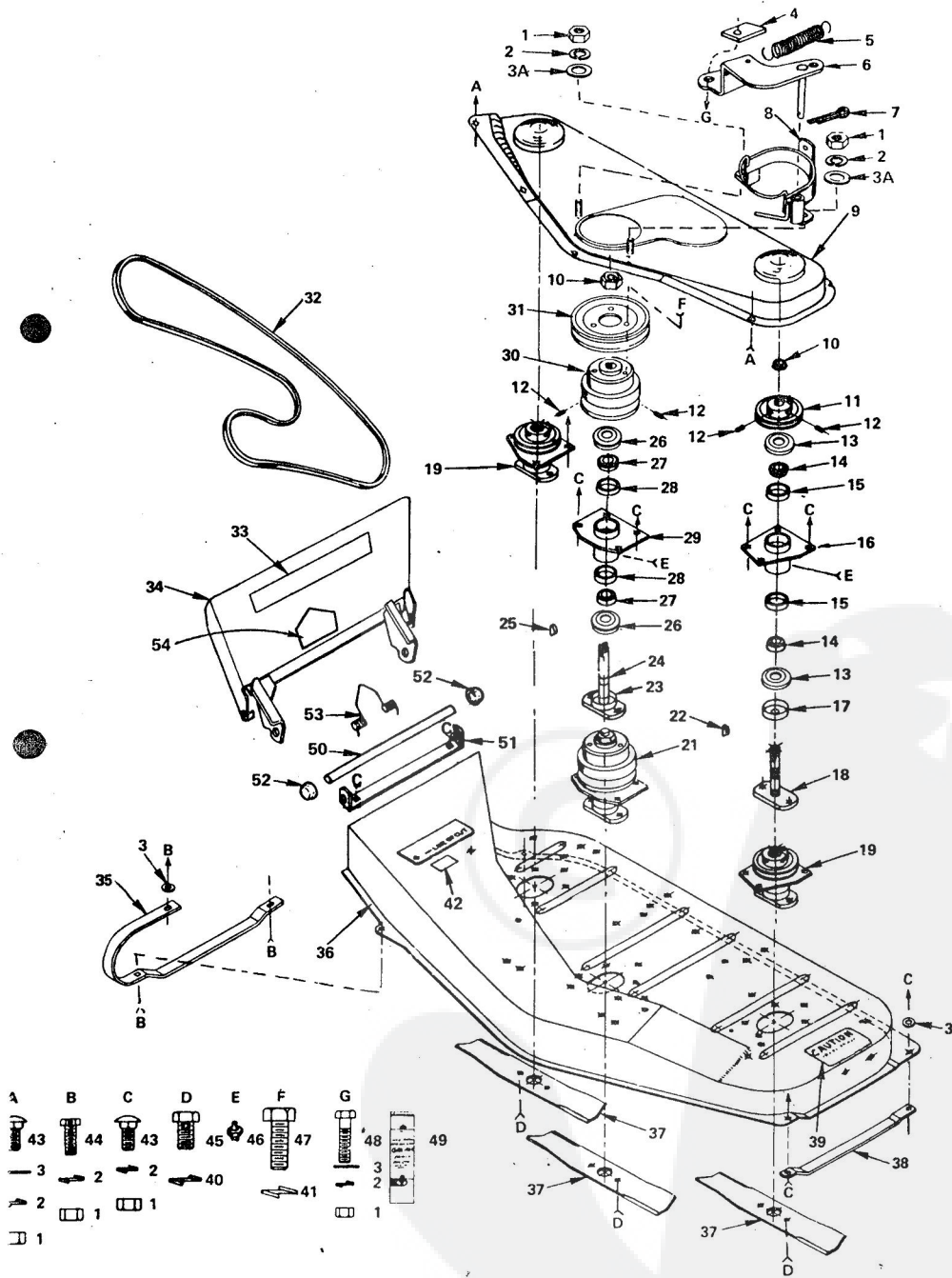
42" ROTARY MOWER--MODEL NUMBER TT728CR
48" ROTARY MOWER--MODEL NUMBER TT738CR

KEY NO.	42"	48"	PART NO.	DESCRIPTION
1A	X	X	9479R	Lever Plunger Cap
1	X	X	9083R	Lever Plunger
2	X	X	8540R	Drive Lock Pin 3/16 x 1 - 1/2
3	X	X	2876H	Spring
4	X	X	1556P	Washer 13/32 x 7/8 x 14 Ga.
5	X	X	673A61	Lift Lever W/Plunger (Inc. Key No.'s 1, 1A, 2 and 3)
5A	X	X	673A60	Lift Lever Weldment
6	X	X	2895H	Handle Grip
7	X	X	280M1	Bushing
8	X	X	634A358	Pitch Adjustment Weldment
9	X	X	9426H	Pitch Adjustment Bracket
10	X	X	515P	*Hex Nut 3/8 - 24 UNF
11	X	X	9420H	Leveling Pin
12	X	X	2511P	Cotter Pin 3/16 x 1
13	X		634A345	Suspension Arm Weldment - Outer
13		X	634A348	Suspension Arm Weldment - Outer
14	X		634A344	Suspension Arm Weldment - Inner - R.H.
14		X	634A347	Suspension Arm Weldment - Inner - R.H.
15	X	X	634A879	Lift Shaft Weldment
16	X	X	929R	Lift Link
17	X	X	9412H	Hanger Link
18	X	X	2505P	Cotter Pin 1/8 x 3/4
19	X	X	9535H	Spring
20	X	X	9505H	Elastic Stop Nut 3/8 - 24 UNF
21	X		634A343	Suspension Arm Weldment - Inner - L.H.
21		X	634A346	Suspension Arm Weldment - Inner - L.H.
22	X	X	1500P	*Washer 17/32 x 1 - 1/16 x 13 Ga.
22A	X	X	9465M	Roll Pin 3/16 x 1 - 1/2
23	X	X	3720R	Spring
24	X	X	9416H	Plunger
25	X	X	9504H	Roll Pin 3/16 x 2
26	X	X	634A334	Belt Guide Assembly
27	X		634A854	Deck Idler Arm Assembly
27		X	634A477	Deck Idler Arm Assembly
28	X	X	3218J	Spring
29	X	X	2083R	Flat Idler
30	X	X	677A316	Idler Bushings, Washer and Seals (Inc. Dirt Seal, Key No. 53)
31	X		2289R	Discharge Cutoff Plate
31		X	2290R	Discharge Cutoff Plate
32	X	X	3544R	Suspension Bracket - Front - L.H.
33	X	X	3543R	Suspension Bracket - Front - R.H.
34	X		9422R	Blade Shield
34		X	9500R	Blade Shield
35	X	X	1004P	*Lockwasher 3/8
36	X	X	501P	*Hex Nut 3/8 - 16 UNC
37	X	X	1003P	*Lockwasher 5/16 - Heavy
38	X	X	504P	*Hex Nut 5/16 - 18 UNC
39	X	X	1537P	*Washer 11/32 x 11/16 x 16 Ga.
40	X	X	508P	*Hex Jam Nut 3/8 - 16 UNC
42	X	X	21P	*Square Neck Carriage Bolt 3/8 - 16 x 1 - 1/4
43	X	X	3023P	*Hex Bolt 3/8 - 16 x 1
44	X	X	20P	*Square Neck Carriage Bolt 3/8 - 16 x 1
45	X	X	61P	Sq. Nk. Carriage Bolt - Sht. Shoulder 3/8 - 16 x 1 Gr. 5
46	X	X	3025P	*Hex Bolt 3/8 - 16 x 1 - 1/4
47	X	X	67P	Square Neck Carriage Bolt 5/16 - 18 x 3/4 Gr. 5
48	X	X	3027P	*Hex Bolt 3/8 - 16 x 1 - 1/2
49	X	X	7P	Square Neck Carriage Bolt 5/16 - 18 x 2 - 1/2
50	X	X	36P	*Square Neck Carriage Bolt 3/8 - 16 x 3
52	X	X	5394H	Locknut 3/8 - 16 UNC
53	X	X		Dirt Seal (Not sold separately, Order Key No. 30)
....	X	X	3195J	Owners Manual

*STANDARD HARDWARE--PURCHASE LOCALLY

REPAIR PARTS

42" ROTARY MOWER--MODEL NUMBER TT728CR
48" ROTARY MOWER--MODEL NUMBER TT738CR



REPAIR PARTS

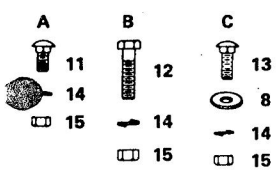
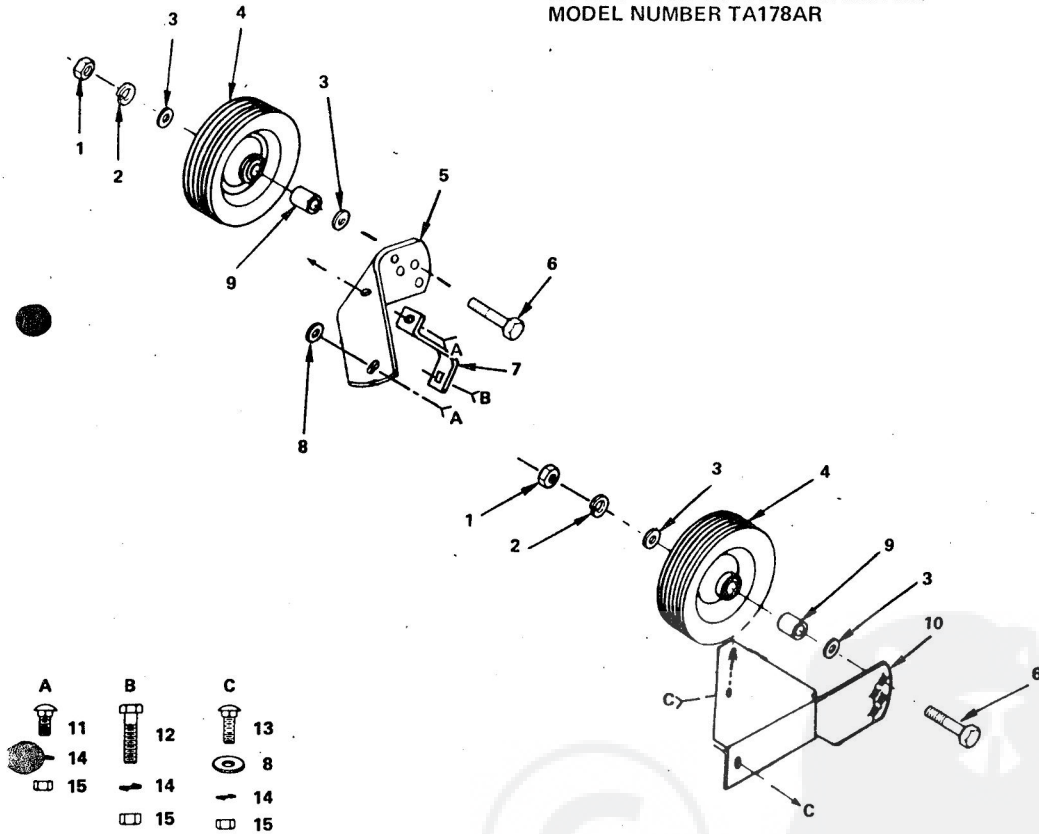
42" ROTARY MOWER--MODEL NUMBER TT728CR
48" ROTARY MOWER--MODEL NUMBER TT738CR *RR 941 RR*

KEY NO.	42"	48"	PART NO.	DESCRIPTION
1	X	X	504P	*Hex Nut 5/16 - 18 UNC
2	X	X	1003P	*Lockwasher 5/16 - Heavy
3	X	X	1537P	*Washer 11/32 x 11/16 x 16 Ga.
3A	X	X	1623P	Washer 11/32 x 7/8 x 16 Ga.
4	X	X	2629R	Brake Shoe
5	X	X	3770R	Spring
6	X		634A590	Snubber Weldment
6		X	634A592	Snubber Weldment
7	X	X	2503P	*Cotter Pin 3/32 x 3/4
8	X		677A290	Belt Guide Weldment - Center
8		X	677A289	Belt Guide Weldment - Center
9	X		634A856	Deck Drive Cover and Weld Bolts
9		X	634A484	Deck Drive Cover and Weld Bolts
10	X	X	4831H	Elastic Stop Nut 3/4 - 16 UNF
11	X	X	634A417	Mandrel Sheave - Outer w/Set Screws (Inc. 2 Each Key No. 12)
12	X	X	4539P	Hex Forged Socket Headless Set Screw C.P. 3/8 - 16 x 5/8
13	X	X	881R	Metallic Seal
14	X	X	1554H	Bearing Cone
15	X	X	1553H	Bearing Cup
16	X	X	634A431	Mandrel Tube and Cups - Outer (Inc. Key No. 15)
17	X	X	9458H	Mandrel Cap
18	X	X	634A315	Shaft and Flange - Outer
19	X	X	634A423	Mandrel Assembly with Sheave - Outer (Inc. Key No's. 10 thru 18, 22 and 46)
21	X		677A288	Mandrel Assembly with Sheave - Center (Inc. Key No's. 10, 25, 26, 27, 29, 30 and 46)
21		X	677A154	Mandrel Assembly with Sheave - Center (Inc. Key No's. 10, 25, 26, 27, 29, 30 and 46)
22	X	X	8330H	Woodruff Key 1/4 x 1 H.T.
23	X	X	1036R	Mandrel Cap - Center
24	X	X	634A426	Shaft and Flange - Center
25	X	X	880R	Woodruff Key 1/4 x 2 - 1/8 H.T.
26	X	X	882R	Metallic Seal
27	X	X	9494H	Bearing Cone
28	X	X	888R	Bearing Cup
29	X	X	634A427	Mandrel Tube and Cup - Center (Inc. Key No. 28)
30	X		677A291	Mandrel Sheave - Center with Set Screws (Inc. 3 Each Key No. 12)
30		X	677A160	Mandrel Sheave Center With Set Screws (Inc. 3 Each Key No. 12)
31		X	3215J	Mandrel Sheave Upper - Center
32	X		6942R	V-Belt (Center to Outer Mandrels)
32		X	6943R	V-Belt (Center to Outer Mandrels)
33	X	X	643J	Deflector - Caution Decal
34	X		677A153	Deflector Shield Weldment
34		X	677A152	Deflector Shield Weldment
35	X		8063R	Runner - R. H.
35		X	8064R	Runner - R.H.
36	X		9482R	Mower Housing
36		X	9536R	Mower Housing
37	X		9480R	Blade
37		X	9497R	Blade
38	X		677A510	Runner Assembly - L.H.
38		X	2071R	Runner - L.H.
39	X	X	9133R	Instruction - Caution Decal
40	X	X	1001P	*Lockwasher 7/16
41	X	X	1004P	*Lockwasher 3/8 - Heavy
42	X	X	9591R	Lift Decal
43	X	X	67P	Carriage Bolt 5/16 - 18 x 3/4 Gr. 5
44	X	X	3273P	*Hex Bolt 5/16 - 18 x 1 Grade 5
45	X	X	3204P	Hex Bolt 7/16 - 14 x 3/4 Grade 5
46	X	X	6855M	Grease Fitting
47		X	3023P	*Hex Bolt 3/8 - 16 x 1
48	X	X	3011P	*Hex Bolt 5/16 - 18 x 1
49	X	X	2557R	Amdex No. 1 E.P. Grease (Not Furnished with Mower)
50	X	X	9082R	Deflector Shield Rod
51	X	X	9098R	Deflector Shield Bracket
52	X	X	5846R	Push Nut
53	X	X	5848R	Torsion Spring
54	X	X	3495J	Label, Warning

REPAIR PARTS

OPTIONAL EQUIPMENT

ROTARY MOWER GAUGE WHEEL KIT MODEL NUMBER TA178AR



KEY NO.	PART NO.	DESCRIPTION
1	515P	*Hex Nut 3/8 - 24 UNF
2	1004P	*Lockwasher 3/8
3	1556P	Washer 13/32 x 7/8 x 14 Ga.
4	9536H	Gauge Wheel
5	2073R	Gauge Wheel Support - R.H.
6	3199P	Hex Bolt 3/8 - 24 x 2 - 3/4 Grade 5
7	8133R	Gauge Wheel Bracket Support - R.H.

KEY NO.	PART NO.	DESCRIPTION
8	1537P	*Washer 11/32 x 11/16 x 16 Ga.
9	7375H	Bushing
10	634A480	Gauge Wheel Support Assembly - L.H.
11	17P	*Carriage Bolt 5/16 - 18 x 1
12	3135P	*Hex Bolt 5/16 - 18 x 1 - 1/4 Grade 5
13	5P	*Carriage Bolt 5/16 - 18 x 3/4
14	1003P	*Lockwasher 5/16
15	504P	*Hex Nut 5/16 - 18 UNC

*STANDARD HARDWARE--PURCHASE LOCALLY

Model No. TA178AR includes all of the above items.

3195J-12.8.81 Rev. 3