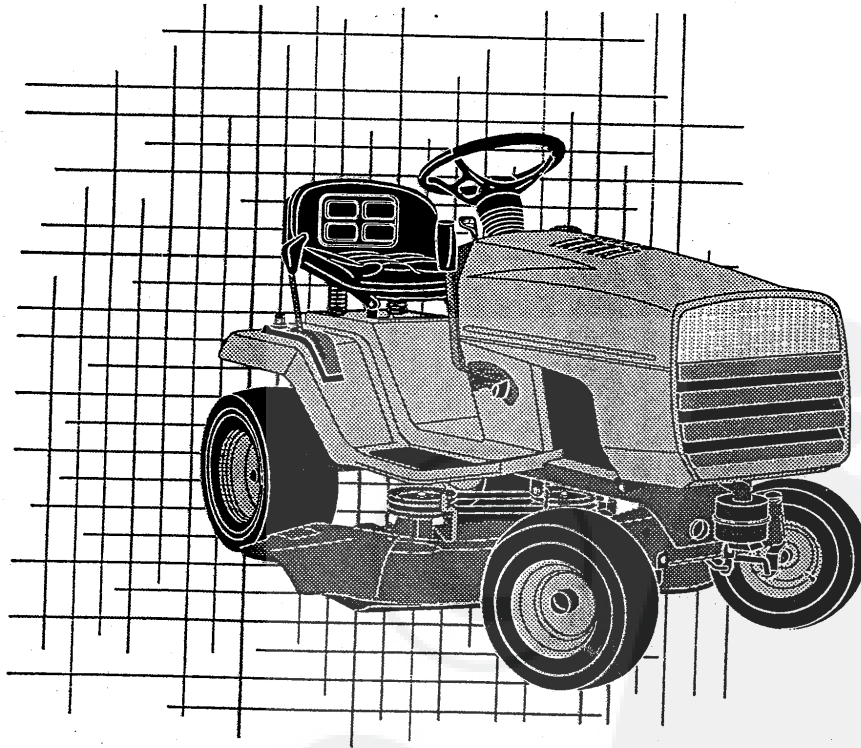


# ILLUSTRATED PARTS MANUAL

IMPORTANT INFORMATION

DO NOT THROW AWAY

**LAWN RIDER**  
**MODEL NUMBER - YPLR080BE**



## Usinorp de Saint-Hubert

Sint-Truidensesteenweg 252  
3300 TIENEN



Tel. 016 / 81.27.72  
Telex 22325

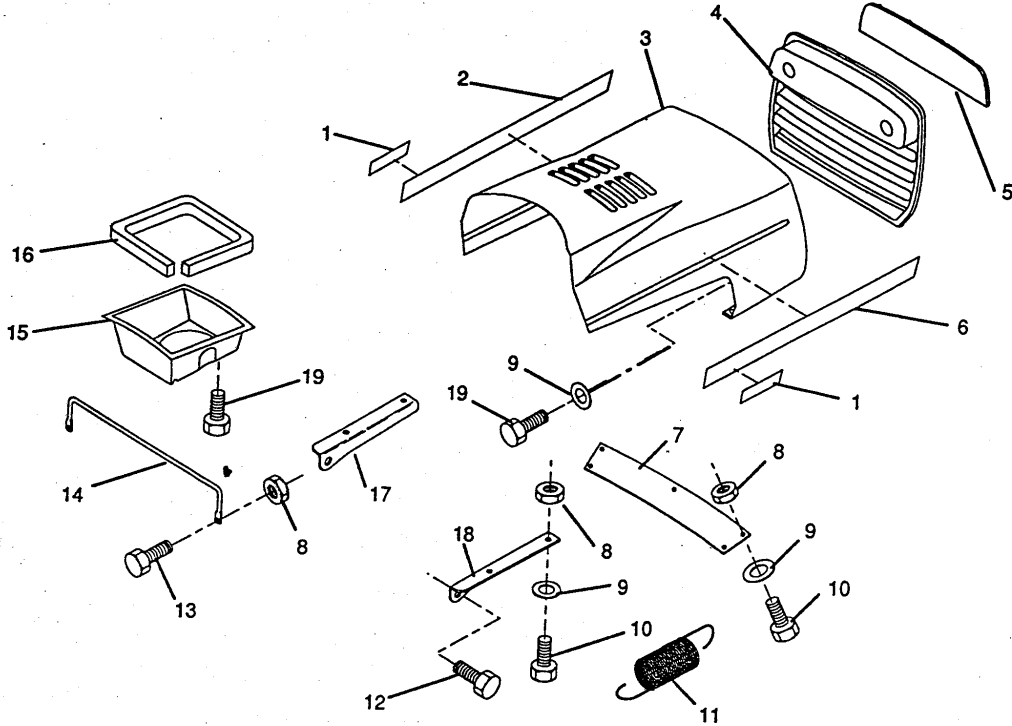
# ILLUSTRATED PARTS BREAKDOWN

## TABLE OF CONTENTS

DASH .....	5
ENGINE / THROTTLE .....	10
ELECTRICAL .....	18
FENDER / CHASSIS .....	3
FRONT AXLE .....	8
GROUND DRIVE .....	11
HOOD .....	2
MOWER LIFT LEVER .....	13
MOWER DECK .....	14 - 17
PARKING BRAKE / REAR MOWER LIFT ASM. ....	9
SEAT .....	4
SECTOR GEAR / AXLE SUPPORT .....	7
STEERING WHEEL .....	6
TRANSAXLE .....	12

# ILLUSTRATED PARTS BREAKDOWN

## HOOD

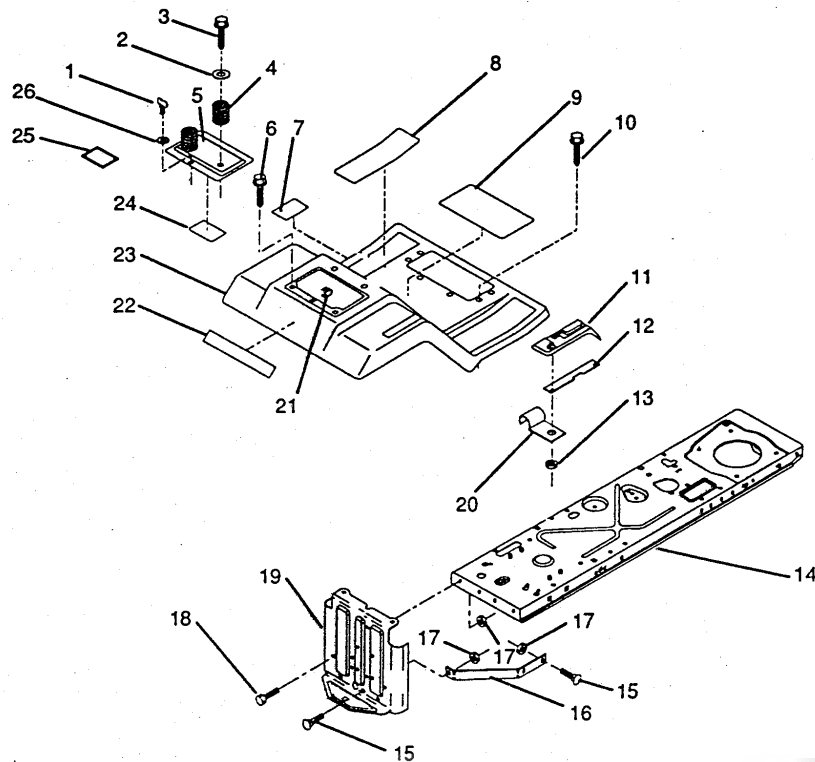


KEY NO.	PART NO.	DESCRIPTION	KEY NO.	PART NO.	DESCRIPTION
1	126553X	Decal, Side Panel 8LR	11	124657X	Extention, Spring
2	122036X	Decal, L.H. Hood Stripe	12	126675X	Bolt, Thrd. Forming Shouldr
3	122032X388	Hood	13	74780412	Bolt, Hex Fin. 14-20 x 3/4 C
4	126268X	Grill	14	123693X	Brace, Hood
5	122035X	Lens	15	123840X	Duct, Air
6	122037X	Decal, R.H. Hood Stripe	16	120537X	Strip, Foam
7	122550X388	Strap, Grill	17	122548X	Bracket, Hood L.H.
8	73510400	Nut, Hex Keps 1/4-20 UNC	18	122549X	Bracket, Hood R.H.
9	19091016	Washer, 9/32 x 5/8 x 16 Ga.	19	17411310	Screw, Fin. Hex
10	74780410	Bolt, Hex Fin. 5 1/4 x 20 UNC 5/8 Gr.5			#13-16 Hi-Lo x 5/8

HARDWARE SHOWN LARGER FOR EASIER IDENTIFICATION

# ILLUSTRATED PARTS BREAKDOWN

## FENDER / CHASSIS

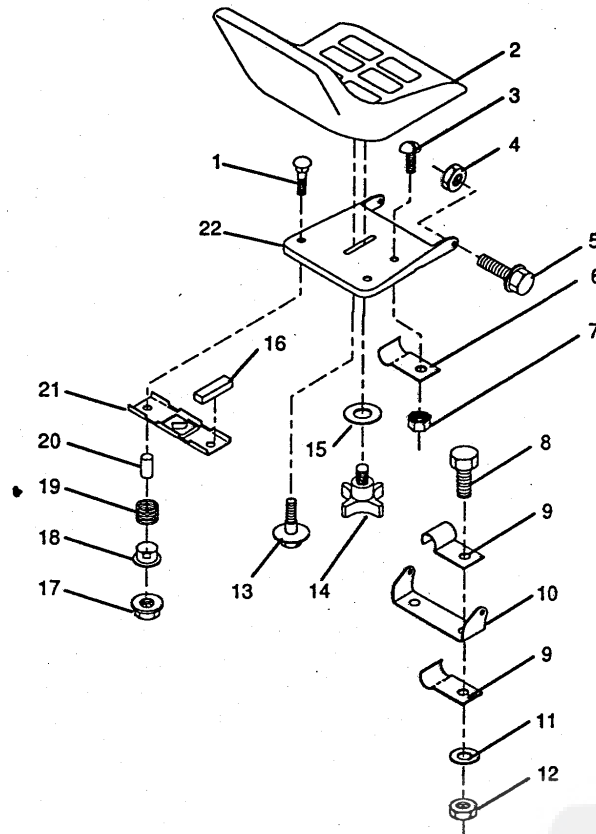


KEY NO.	PART NO.	DESCRIPTION	KEY NO.	PART NO.	DESCRIPTION
1	123650X	Stud 1/4 Turn	14	123645X	Assembly, Frame
2	19132012	Washer 13/32 x 1- 1/4 x 12 Ga.	15	72140506	Bolt, Carriage
3	17490612	Screw, Hex Wsh. Thrdol. 3/8-16 x 3/4	16	123379X	5/16-18 UNC x 3/4
4	124181X	Spring, Compression, Seat	17	73680500	Braće, Drawbar
5	122008X388	Door, Fender	17	73680500	Nut, Crownlock 5/16-18
6	17490508	Screw, Hex Wsh. Thrdol. 5/16-18 x 1/2	18	74760512	Bolt, Hex Hd. 5/16-18 UNC x 3/4
7	123408X	Decal, Ground Drive Schematic	19	121904X	Drawbar
8	124144X	Pad, Footrest	20	126470X	Clip, Insulated
9	123637X	Decal, Operating Instructions	21	105839X	Receptacle 1/4 Turn
10	17490512	Screw, Hex Wsh. Thrdol. 5/16-18 x 3/4	22	123689X	Decal, Fender
11	126220X	Console, Shift Control	23	124332X388	Fender/Footrest
12	124307X	Bar, Shift Lock	24	121549X	Decal, Battery Caution
13	120579X	Palnut	25	125690X	Decal, 100 DBA
			26	105838X	Retainer 1/4 Turn

HARDWARE SHOWN LARGER FOR EASIER IDENTIFICATION

# ILLUSTRATED PARTS BREAKDOWN

## SEAT

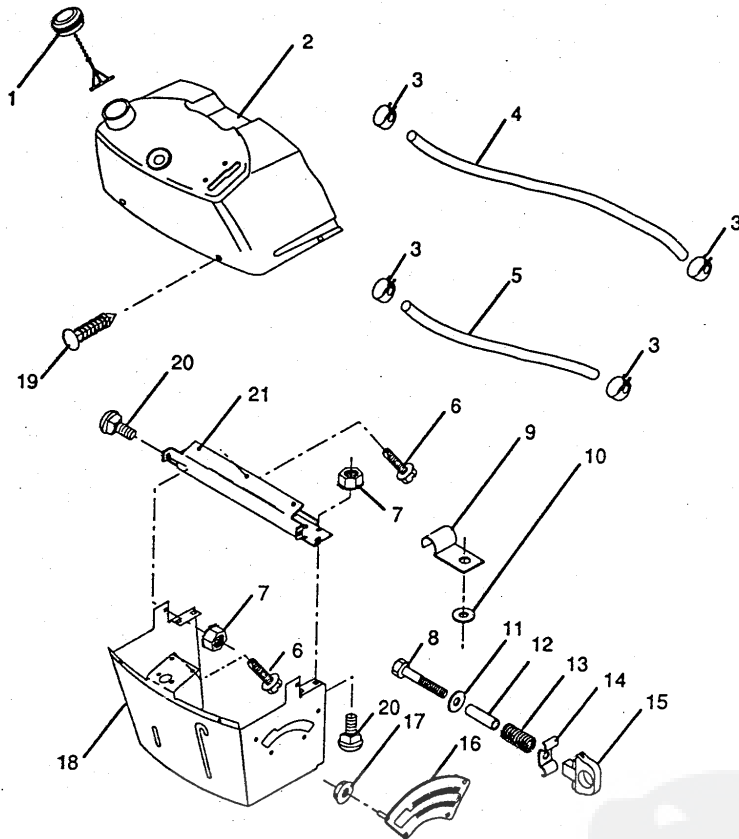


KEY NO.	PART NO.	DESCRIPTION	KEY NO.	PART NO.	DESCRIPTION
1	72170410	Bolt, Carriage 1/4-20 x 1 1/4	12	73680600	Nut, Crownlock 3/8-16 UNC
2	121076X	Seat	13	121144X	Bolt, Shoulder
3	74641008	Screw, Slotted Pan Head 10-32 x 1/2	14	120068X	Knob, Seat 1/2"
4	73680500	Nut, Crownlock 5/16-18	15	19171912	Washer, 17/32 x 1 3/16 x 12 G
5	105529X	Bolt, Shoulder 5/16-18 UNC	16	121251X	Strip, Foam
6	4171R	Clip, Insulated	17	123976X	Nut, Hex Large Flange Loc.
7	73951000	Nut, Keps 10-32 UNF	18	121248X	Bushing, Snap
8	74760612	Bolt, Fin. Hex 3/8-16 UNC x 3/4	19	121250X	Spring, Compression
9	126471X	Clip, Insulated	20	121249X	Spacer, Split 28 Id. x .88 Lg.
10	126656X	Bracket, Pivot Seat	21	121246X	Bracket, Switch, Mounting
11	19131210	Washer 13/32 x 3/4 x 10 Ga.	22	124294X	Pan, Seat

HARDWARE SHOWN LARGER FOR EASIER IDENTIFICATION

# ILLUSTRATED PARTS BREAKDOWN

## DASH

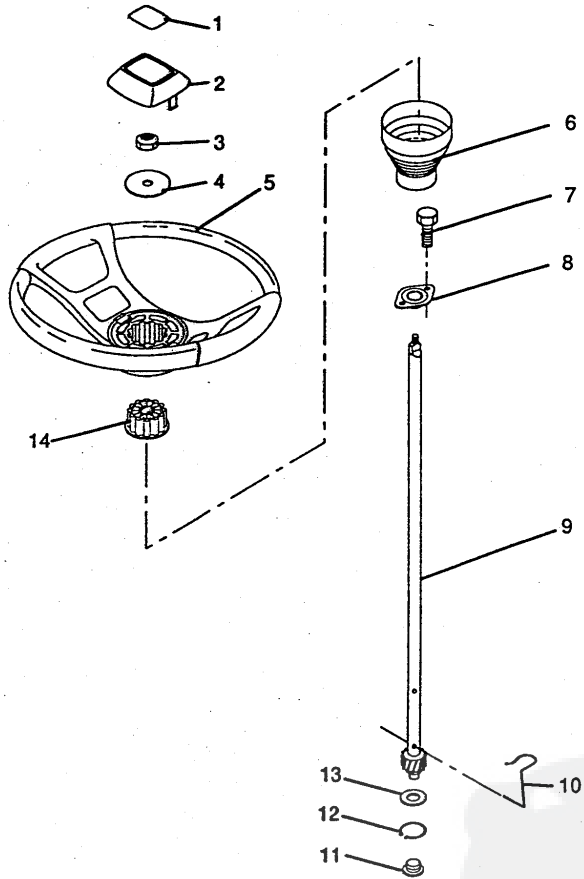


KEY NO.	PART NO.	DESCRIPTION	KEY NO.	PART NO.	DESCRIPTION
1	122015X	Cap, Fuel	12	123494X	Spacer, Split
2	123986X	Assembly, Dash & Fuel Tank	13	2876H	Spring
3	123487X	Clamp, Hose	14	123493X	Clip, Height Adjustment
4	8548R	Line, Fuel	15	126115X	Knob, Height Stop
5	8544R	Line, Fuel	16	122023X	Adjustment, Quadrant Height
6	17111312	Screw Hex Hd. Washer	17	124346X	Screw Self Thread 3/16-18
7	73510400	Nut, Hex Keps 1/4-20	18	121789X	Support, Dash
8	74760432	Bolt, Fin. Hex 1/4-20 x 2	19	122017X	Snap, Plastic
9	2751R	Clip, Fuel line	20	72110404	Bolt, Carriage 1/4-20 x 1/2 Gr.5
10	19091216	Washer 9/32 x 3/4 x 16 Ga.	21	122016X	Brace, Cross
11	19111116	Washer, 11/32 x 11/16 x 16 Ga..			

HARDWARE SHOWN LARGER FOR EASIER IDENTIFICATION

# ILLUSTRATED PARTS BREAKDOWN

## STEERING WHEEL

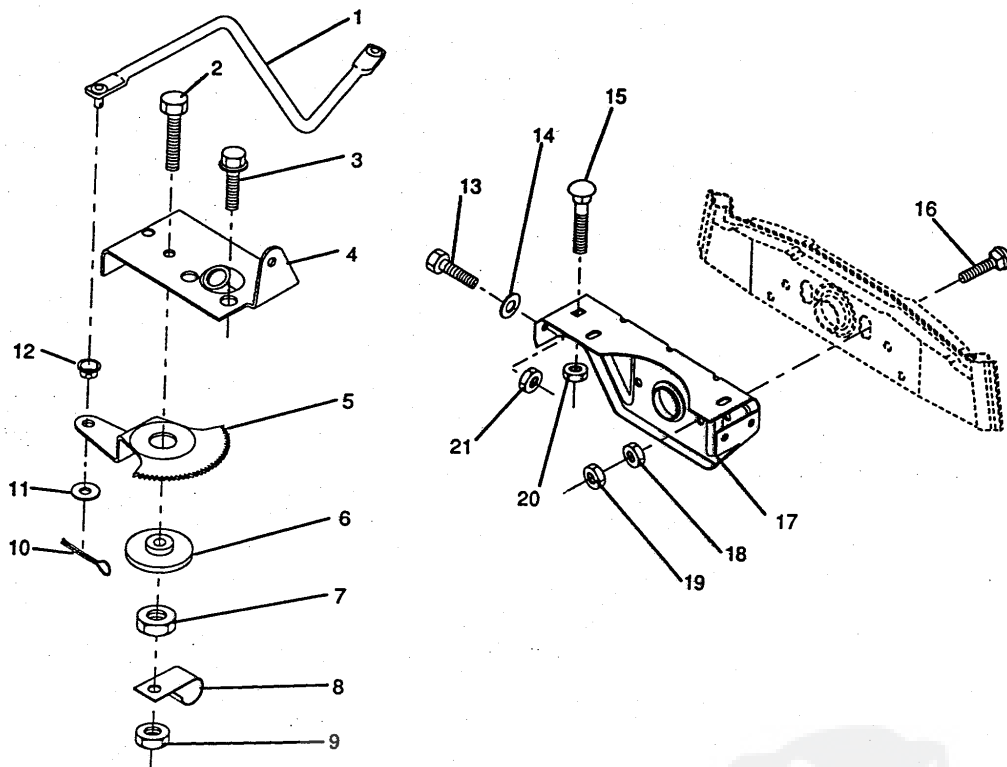


KEY NO.	PART NO.	DESCRIPTION	KEY NO.	PART NO.	DESCRIPTION
1	123690X	Decal, Steering Wheel	8	102803X	Bushing, Steering
2	100710L	Insert, Wheel, Steering	9	123651X	Shaft, Steering
3	7810H	Nut, Lock 3/8-24 UNF	10	124210X	Clip, Steering
4	19133808	Washer 13/32 x 2 3/8 x 8 Ga.	11	123438X	Bushing, Lower, Steering
5	100713N	Wheel, Steering	12	12000045	Ring, Retaining
6	121897X	Sleeve, Steering	13	19211616	Washer 21/32 x 1 x 16 Ga.
7	17431008	Screw, Hex SLFTP #10-16 x 1/2 TY-B	14	104820X	Adaptor, Wheel, Steering

HARDWARE SHOWN LARGER FOR EASIER IDENTIFICATION

# ILLUSTRATED PARTS BREAKDOWN

## SECTOR GEAR / AXLE SUPPORT



KEY NO.	PART NO.	DESCRIPTION
1	124093X	Link, Drag
2	74780828	Bolt, Fin. Hex 1/2-13 x 1 3/4
3	17490508	Screw Hex Thrdrol 5/16-18 x 1/2
4	121925X	Plate, Steering Support
5	121926X	Gear, Sector
6	121927X	Bushing
7	73030800	Nut, Heavy Hex Top Lock 1/2-13 UNC
8	126472X	Clip, Insulated
9	73680800	Nut, Crownlock 3/8-16
10	76020412	Pin, Cotter 1/8 x 3/4

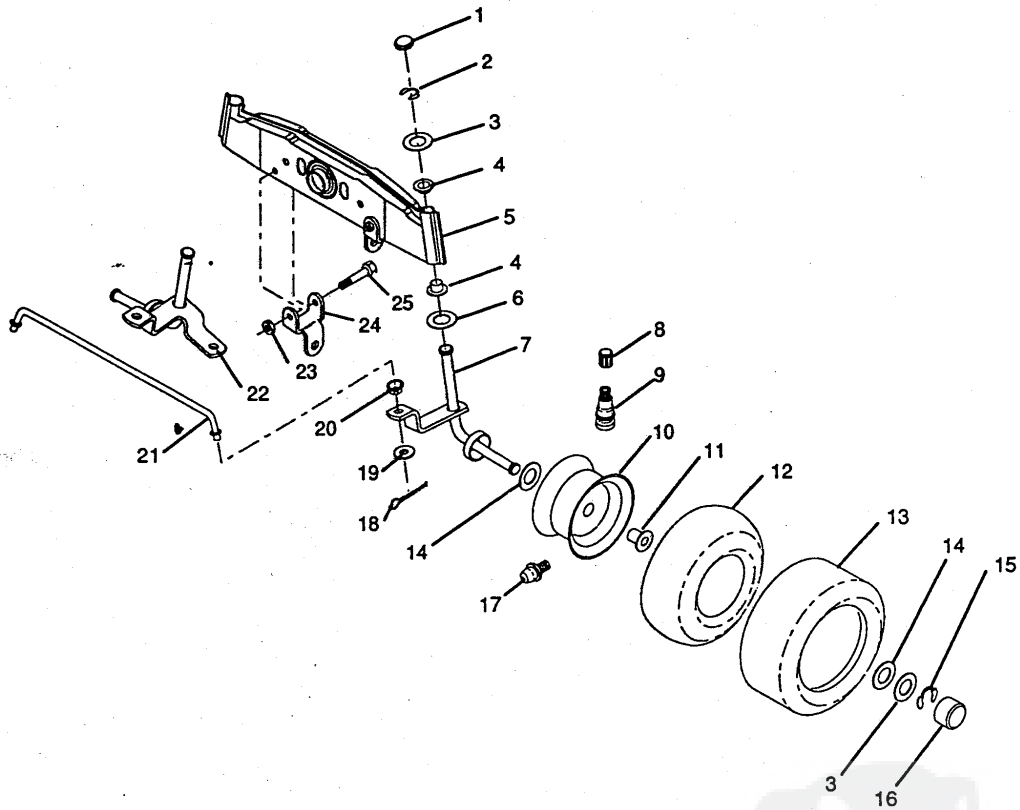
KEY NO.	PART NO.	DESCRIPTION
11	19131316	Washer, 13/32 x 13/16 x 16 Ga.
12	120754X	Bushing
13	74760512	Bolt, Hex Hd. 5/16-18 UNC x 3/4
14	19111416	Washer 11/32 x 7/8 x 16 Ga.
15	72110606	Bolt, Carriage 3/8-16 UNC x 3/4
16	72140622	Bolt, Carriage
17	121912X	Support, Front Axle
18	73220600	Nut, Fin. Hex 3/8-16 UNC
19	73930600	Nut, Centerlock 3/8-16 UNC
20	73680600	Nut, Crownlock 3/8-16 UNC
21	73680500	Nut, Crownlock 5/16-18

HARDWARE SHOWN LARGER FOR EASIER IDENTIFICATION



# ILLUSTRATED PARTS BREAKDOWN

## FRONT AXLE

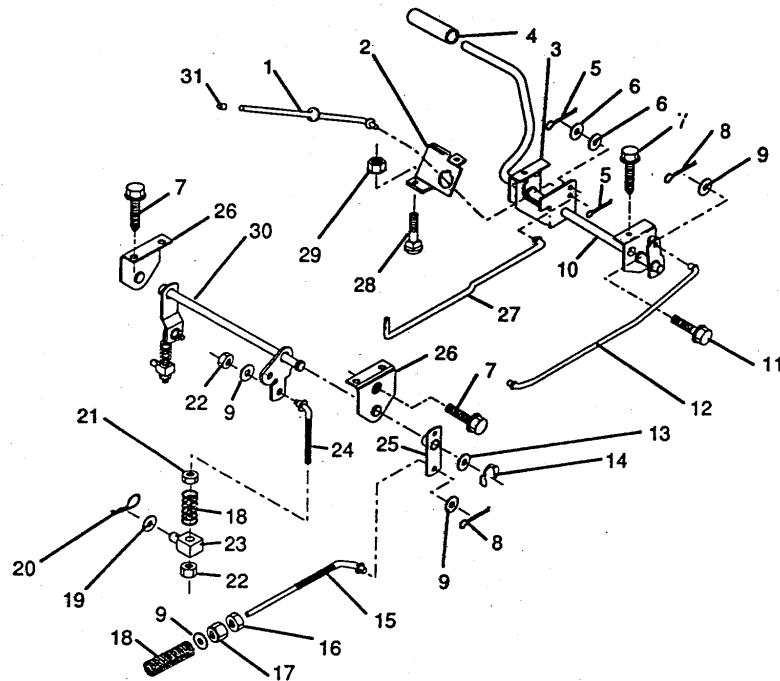


KEY NO.	PART NO.	DESCRIPTION	KEY NO.	PART NO.	DESCRIPTION
1	121232X	Cap, Spindle	14	121749X	Washer 25/32 x 1-1/4 x 16 Ga.
2	12000029	Ring, Clip	15	12000029	Ring, Clip
3	121748X	Washer 25/32 x 1-5/8 x 16 Ga.	16	104757X	Cap, Hub
4	121922X	Nyliner	17	278H	Fitting, Grease
5	121914X	Axle, Front	18	76020412	Pin, Cotter 1/8 x 3/4
6	6266H	Bearing, Thrust	19	19131316	Washer 13/32 x 13/16 x 16 Ga.
7	121919X	Spindle R.H. Asm.	20	120754X	Bushing
8	59192	Cap, Valve	21	121924X	Rod, Tie
9	65139	Stem, Valve	22	121916X	Spindle, L.H. Asm.
10	122394X361	Rim	23	73680500	Nut, Crownlock 5/16-18
11	9040H	Bearing, Flange	24	121915X	Bracket, Front Stabilizer Link
12	59904	Tube	25	74760540	Bolt, Hex, Fin. 5/16 x 18 UNC x 2-1/2
13	124142X	Tire, Front			

HARDWARE SHOWN LARGER FOR EASIER IDENTIFICATION

# ILLUSTRATED PARTS BREAKDOWN

## BRAKE / REAR MOWER LIFT ASSEMBLY

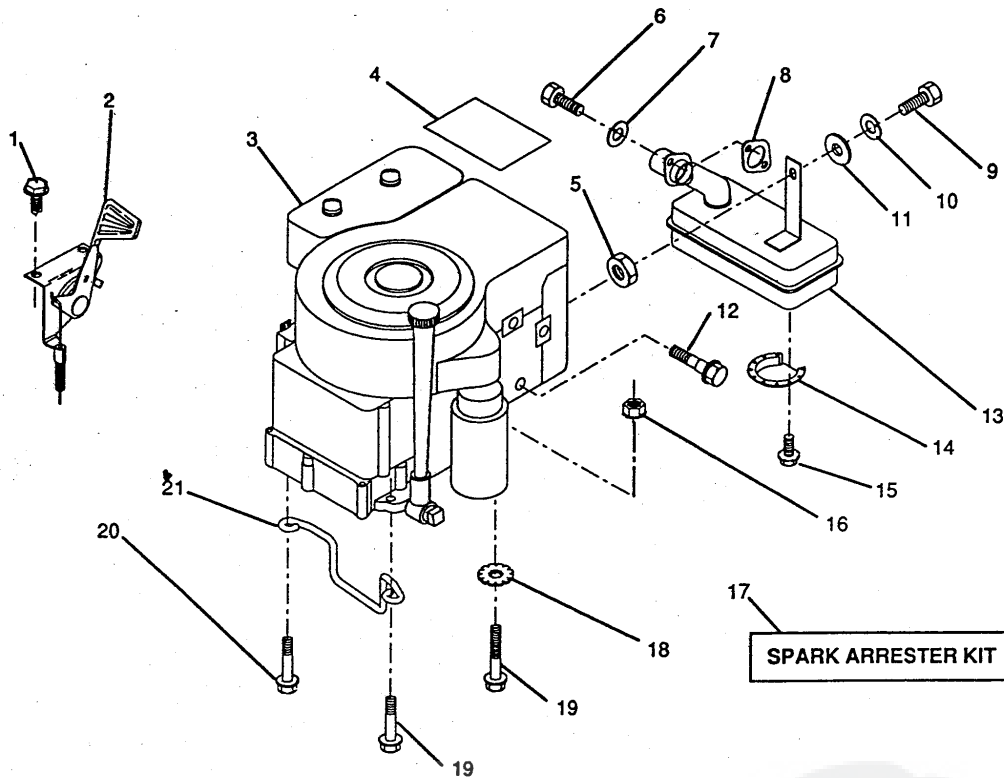


KEY NO.	PART NO.	DESCRIPTION	KEY NO.	PART NO.	DESCRIPTION
1	123436X	Rod, Parking Brake	17	73800600	Nut, Lock, Hex with Wsh insert
2	123437X	Bracket, Parking Brake	18	106888X	Rod, Spring Brake
3	122504X	Bracket, L.H. Clutch Pedal	19	19132012	Washer 13/32 x 1 1/4 x 12 Ga.
4	8883R	Cover, Pedal	20	4921H	Spring, Retainer
5	76020312	Pin, Cotter	21	73930600	Nut, Centerlock 3/8-16 UNC
6	19131016	Washer, 13/32 x 5/8 x 16 Ga.	22	73680600	Nut, Crownlock 3/8-16 UNC
7	17490508	Screw Hex Thdrol 5/16-18 x 1/2	23	106204X	Trunnion, Lift
8	76020412	Pin, Cotter	24	123672X	Link, Threaded
9	19131316	Washer 13/32 x 13/16 x 16 Ga.	25	123641X	Assembly, Brake Pivot Arm
10	124145X	Assembly, Clutch/Brake Pedal	26	121978X	Bracket, Lift Shaft
11	17490508	Screw Hex Thdrol. 5/16-18 x 1/2	27	123394X	Rod, Clutch
12	123543X	Rod, Front Brake	28	72110506	Bolt, Carriage 5/16-18 UNC x 3
13	19251816	Washer 25/32 x 1 1/8 x 16 Ga.	29	73510500	Nut, Keps 5/16-18 UNC
14	12000034	Ring, Clip	30	123547X	Assembly, Rear Mower Lift
15	126759X	Rod, Rear Brake	31	71673	Cap, Plunger
16	73350600	Nut, Hex Jam 3/8-16 UNC			

HARDWARE SHOWN LARGER FOR EASIER IDENTIFICATION

# ILLUSTRATED PARTS BREAKDOWN

## ENGINE / THROTTLE



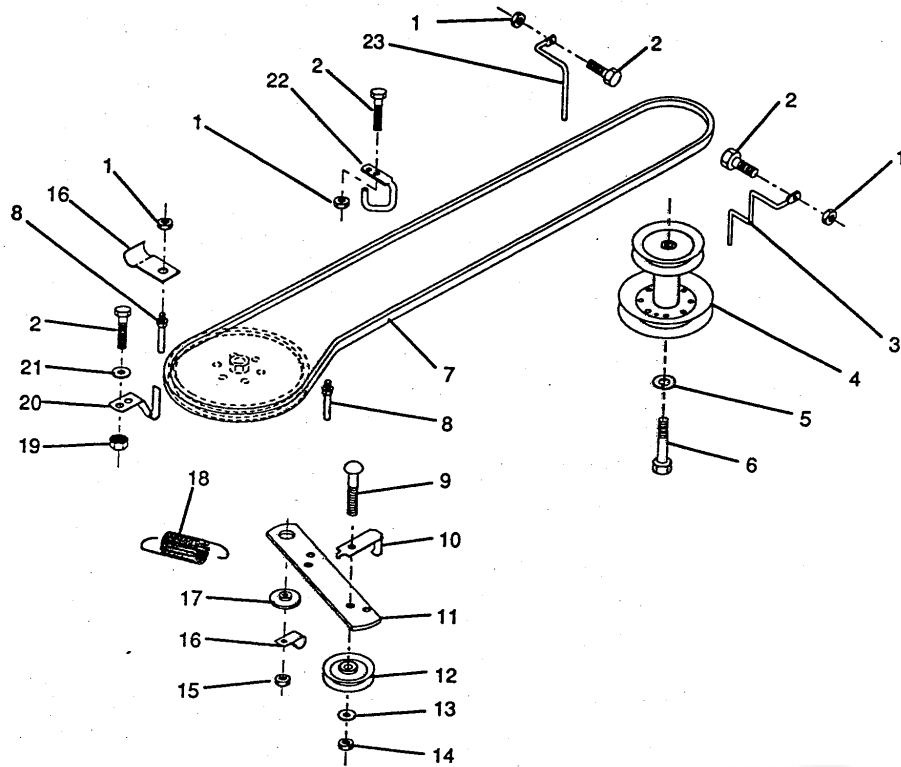
KEY NO.	PART NO.	DESCRIPTION
1	17720408	Screw, Hex Thd. Cut 1/4-20 x 1/2
2	125985X	Control, Throttle
3	125815X	Engine, Briggs and Stratton
4	108761X	Decal, Engine
5	73680500	Nut, Crownlock 5/16-18
6	74780410	Bolt, Hex Fin. 1/4-20 UNC x 5/8
7	10040500	Washer, Lock Heavy Helical Spring
8	120701X	Gasket, Exhaust
9	74760420	Bolt, Fin Hex 1/4-20 x 1 1/4
10	10040400	Washer, Lock Hvy. Hel. Spring 1/4
11	19101216	Washer, 5/16 x 3/4 x 16 Ga.
12	121094X	Bolt, Shoulder 5/16

KEY NO.	PART NO.	DESCRIPTION
13	124094X	Muffler
14	101326L	Deflector, Muffler
15	17030808	Screw, Spiderlock Hex Hd.8 x 1/2 ABTPS
16	73510600	Nut, Keps 3/8-16
17	121851X	Arrestor, Spark (optional equipment)
18	11050600	Lockwasher, Ext. Tooth 3/8
19	17490632	Screw, Hex Wsh Hd Thdrol 3/8-16 x 2
20	17490624	Screw, Hex Wsh Hd Thdrol 3/8-16 x 1 1/2
21	126636X	Keeper, Ground Drive Belt

HARDWARE SHOWN LARGER FOR EASIER IDENTIFICATION

# ILLUSTRATED PARTS BREAKDOWN

## GROUND DRIVE

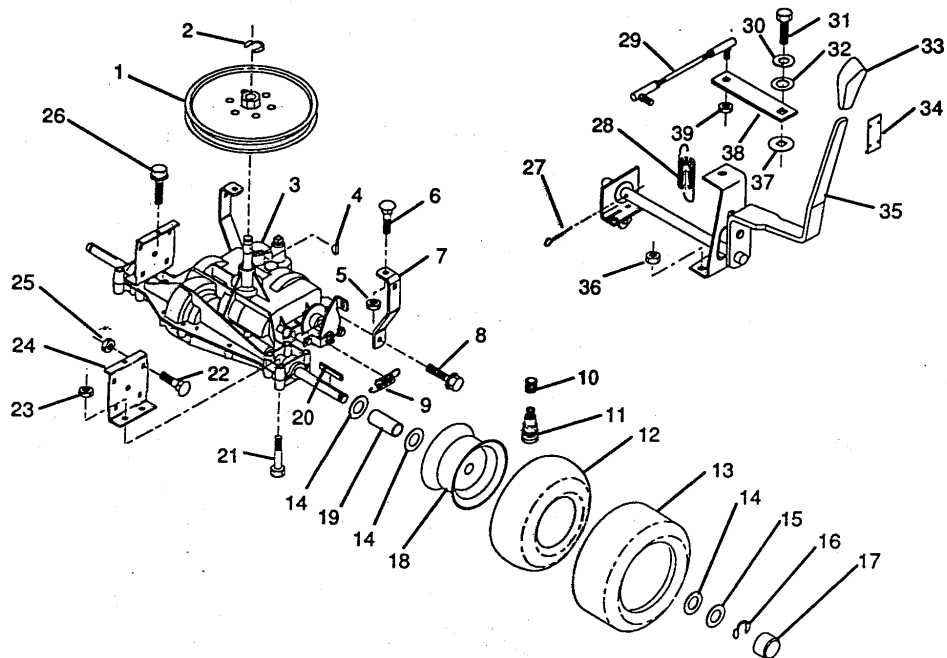


KEY NO.	PART NO.	DESCRIPTION	KEY NO.	PART NO.	DESCRIPTION
1	73680500	Nut, Crownlock 5/16-18	11	123395X	Arm, Ground Drive Clutch
2	74760512	Bolt, Hex Hd. 5/16-18 UNC x 3/4	12	4859J	Idler, Flat
3	123448X	Keeper, Engine Mower Drive R.H. Belt	13	19131316	Washer 13/32 x 13/16 x 16 Ga.
4	123400X	Pulley, Engine	14	73930600	Nut, Centerlock 3/8-16 UNC
5	10040700	Washer, Lock Hvy. Helical Spring 7/16	15	73680600	Nut, Crownlock 3/8-16 UNC
6	74770720	Bolt, Fin. Hex 7/16-20 UNF x 1 1/4	16	126471X	Clip, Insulated
7	124525X	Traction, V-Belt Drive	17	122052X	Spacer, Retainer
8	123405X	Keeper, T/A Ground Drive Belt	18	123397X	Spring, Extention
9	72140612	Bolt, Carriage 3/8-16 UNC x 1 1/2	19	73510500	Nut, Keps 5/16-18 UNC
10	123396X	Keeper, Belt Ground Drive Idler	20	123891X	Keeper, T/A Ground Drive Belt
			21	19111016	Washer 11/32 x 5/8 x 16 Ga.
			22	123404X	Keeper, Frame Ground Drive Belt
			23	123402X	Keeper, Engine Mower Drive L.H. Belt

HARDWARE SHOWN LARGER FOR EASIER IDENTIFICATION

# ILLUSTRATED PARTS BREAKDOWN

## TRANSAXLE

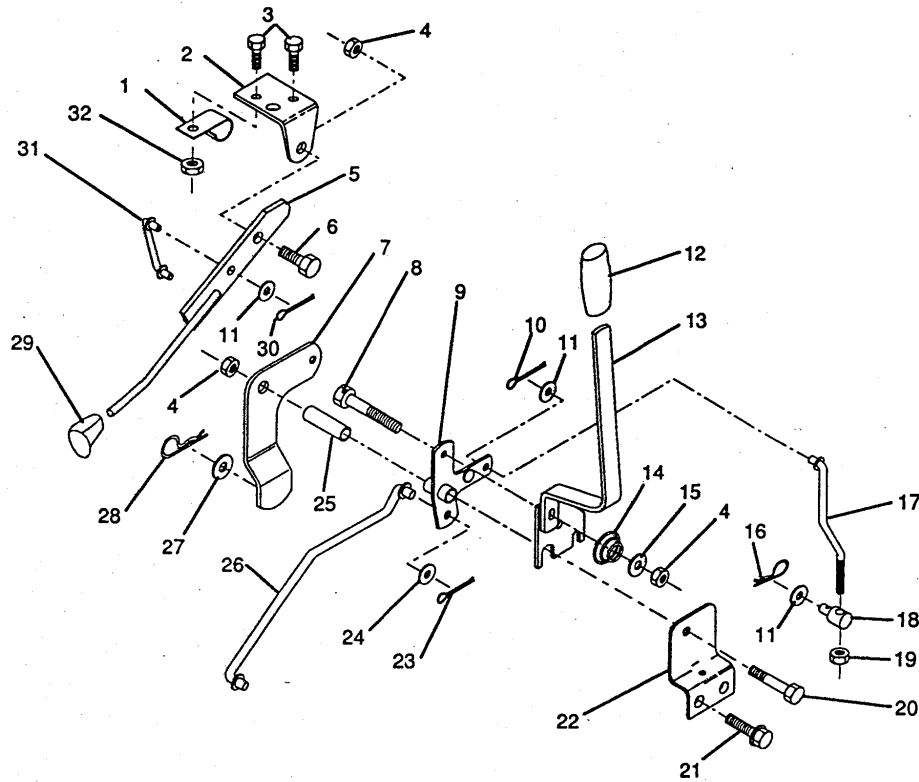


KEY NO.	PART NO.	DESCRIPTION	KEY NO.	PART NO.	DESCRIPTION
1	123385X	Pulley	22	72140506	Bolt, Carriage
2	12000028	Ring, Retainer			5/16-18 UNC. x 3/4
3	123383X	Transaxle, 4 Speed Foote	23	73680600	Nut, Crownlock 3/8-16
4	2228M	Key, Woodruff #9	24	123377X	Bracket, Transaxle
5	73680500	Nut, Crownlock 5/16-18	25	73680500	Nut, Crownlock 5/16-18
6	72140506	Bolt, Carriage 5/16-18 UNC x 3/4	26	17490512	Screw, 5/16-18 x 3/4
7	123378X	Strap, Torque	27	76020416	Pin, Cotter 1/8 X 1
8	17490508	Screw, Hex Thdrol. 5/16-18 x 1/2	28	123393X	Extention, Spring
9	110442X	Spring, Brake	29	123632X	Link, Shift
10	59192	Cap, Valve	30	10040400	Washer, Lock Hvy.
11	65139	Stem, Valve			Helical Spring 1/4
12	8134H	Tube	31	71040412	Bolt, Fin, Hex
13	124143X	Tire, Rear			1/4-28 UNF x 3/4 Gr.8
14	121749X	Washer 25/32 x 1 1/4 x 16 Ga.	32	19091210	Washer 9/32 x 3/4 x 10 Ga.
15	121748X	Washer, 25/32 x 1 5/8 x 16 Ga.	33	122011X	Knob, Shift Contol
16	12000001	E-Ring	34	123692X	Knob, Retainer
17	104757X	Hub, Cap	35	125976X	Assembly, Shift Handle
18	123412X361	Rim	36	73510500	Nut, Keps 5/16-18
19	123409X	Spacer	37	105701X	Washer, Shift Plate
20	123583X	Key, Square	38	123484X	Arm, Shift
21	74760644	Bolt, Fin, Hex 3/8-16 x 2 3/4	39	73810500	Nut, Hex Nylon 5/16-24

HARDWARE SHOWN LARGER FOR EASIER IDENTIFICATION

# ILLUSTRATED PARTS BREAKDOWN

## MOWER LIFT LEVER

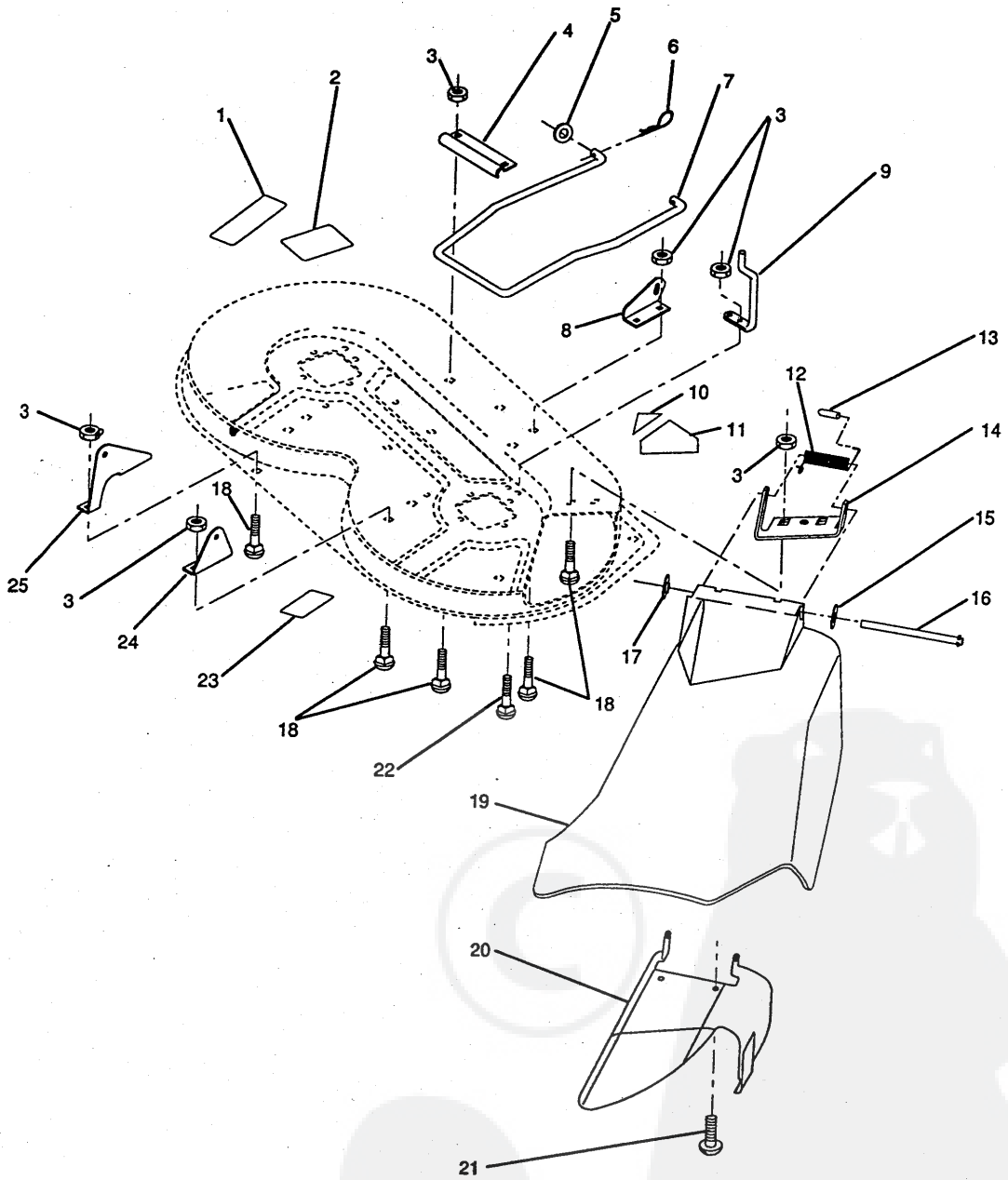


KEY NO.	PART NO.	DESCRIPTION	KEY NO.	PART NO.	DESCRIPTION
1	126470X	Clip, Insulated	17	123654X	Link, Front Lift
2	122018X	Bracket, Mower Clutch	18	7078J	Threaded, Trunnion 3/8-16
3	74780408	Bolt, Fin. Hex 1/4-20 Unc x 1/2 Gr.5	19	73350600	Nut, Hex Jam 3/8 x16 UNC
4	73680600	Nut, Crownlock 3/8-16 UNC	20	74760644	Bolt, Fin. Hex 3/8-16 UNC x 2 3/4
5	123417X	Assembly, Clutch Lever	21	17490508	Screw, Hex Thdrol. 5/16-18 x 1/2
6	106451X	Bolt, Shoulder	22	121929X	Bracket, Mower Height
7	123491X	Assembly, Mower Clutch Arm	23	76020416	Pin, Cotter 1/8 x 1
8	74760636	Bolt, Hex 3/8-16 UNC x 2 1/4	24	19171616	Washer 17/32 x 1 x 16 Ga.
9	121930X	Assembly, Bellcrank Lift	25	121933X	Tube, Spacer
10	76020412	Pin, Cotter 1/8 x 3/4	26	121934X	Rod, Mower Lift
11	19131316	Washer, 13/32 x 13/16 x 16 Ga.	27	19131316	Washer, 13/32 x 13/32 x 16 Ga.
12	122027X	Grip, Handle	28	4921R	Retainer, Spring
13	122741X	Assembly, Lift Handle	29	121466X	Knob
14	123496X	Spring, Compression	30	76020312	Pin, Cotter 3/32x3/4
15	19131212	Washer, 13/32 x 3/4 x 12 Ga.	31	123671X	Link, Mower Clutch
16	4921H	Retainer, Spring	32	73680400	Nut, Crownlock 1/4-20

HARDWARE SHOWN LARGER FOR EASIER IDENTIFICATION

# ILLUSTRATED PARTS BREAKDOWN

## MOWER DECK

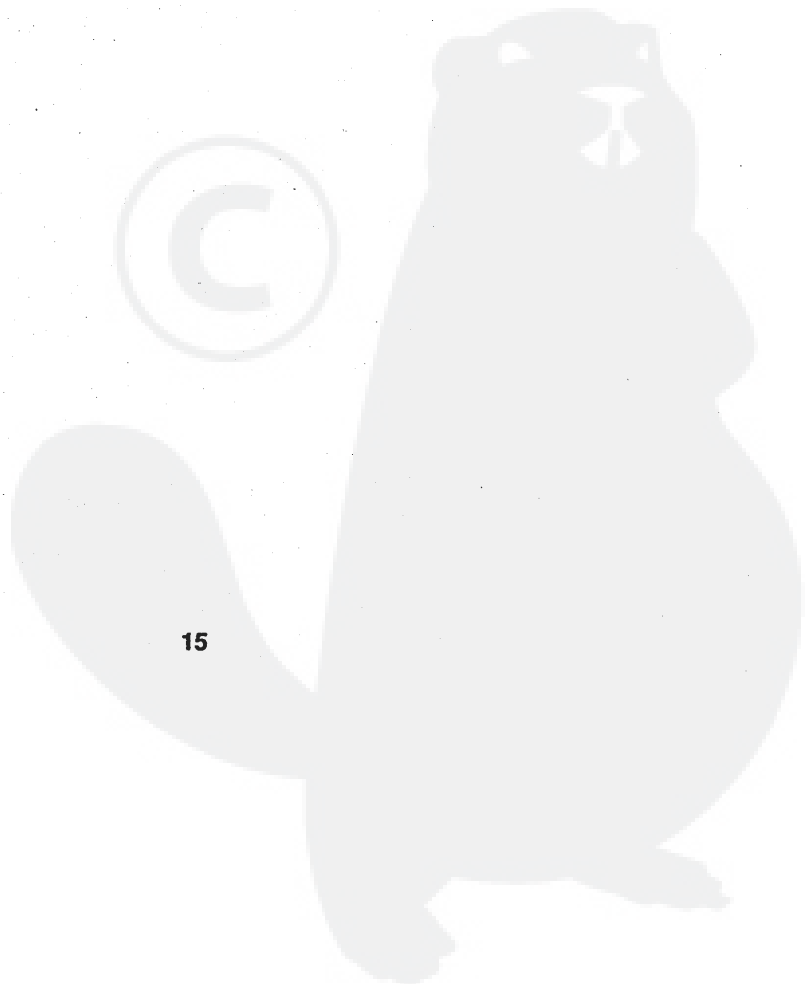
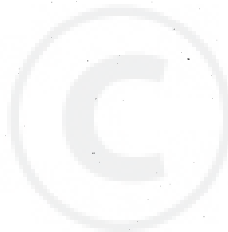


# ILLUSTRATED PARTS BREAKDOWN

## MOWER DECK

KEY NO.	PART NO.	DESCRIPTION	KEY NO.	PART NO.	DESCRIPTION
1	109820X	Decal, Caution	14	126361X	Bracket, Deflector
2	105814X	Decal, V-Belt Mower Drive	15	19111016	Washer 11/32 x 5/8 x 16 Ga.
3	73680500	Nut Crownlock 5/16-18	16	121980X	Rod, Hinge
4	122047X	Bracket, Stabilizer Link	17	110452X	Pushnut
5	19171713	Washer 17/32 x 1 1/16 x 13 Ga.	18	72140505	Bolt, Carriage 5/16-18 UNC x 5/8
6	4921H	Retainer, Spring	19	126370X	Guard, Discharge
7	124636X	Stabilizer, Mower Link	20	125629X	Assembly, Deflector Support
8	122045X	Bracket, R.H. Front Lift	21	17051007	Screw, Pan Hd. PLT-30
9	123661X	Guide, Front Mandrel R.H. Mower Belt	22	74760512	Bolt, Hex Head 5/16-18 UNC x 3/4
10	-----	Decal, Safety Standard	23	123649X	Decal, Warning
11	123658X	Decal, Warning	24	122043X	Bracket, R.H. Rear Lift
12	123713X	Spring, Torsion	25	122044X	Bracket, L.H. Rear Lift
13	105304X	Cap, Sleeve			

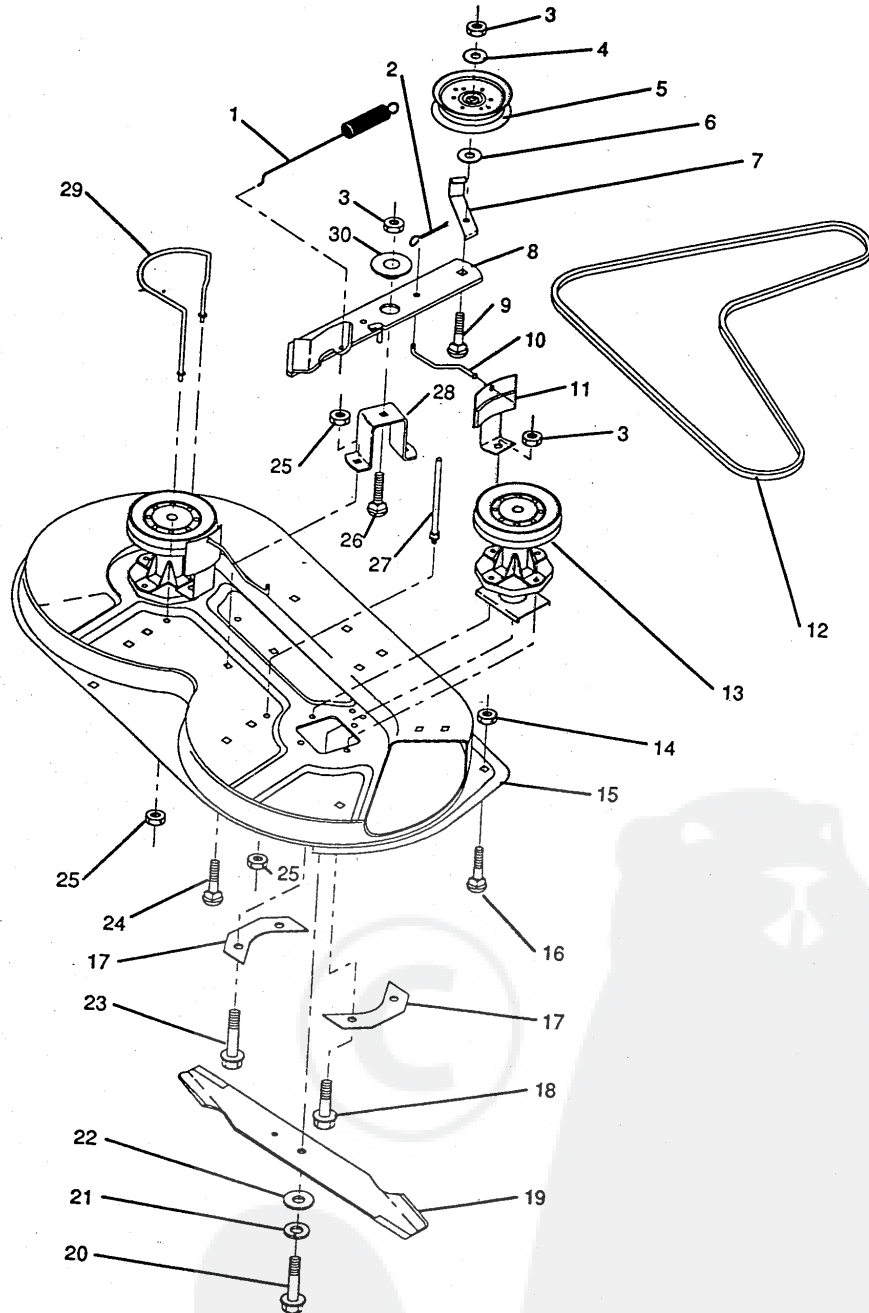
HARDWARE SHOWN LARGER FOR EASIER IDENTIFICATION





# ILLUSTRATED PARTS BREAKDOWN

## MOWER DECK



# ILLUSTRATED PARTS BREAKDOWN

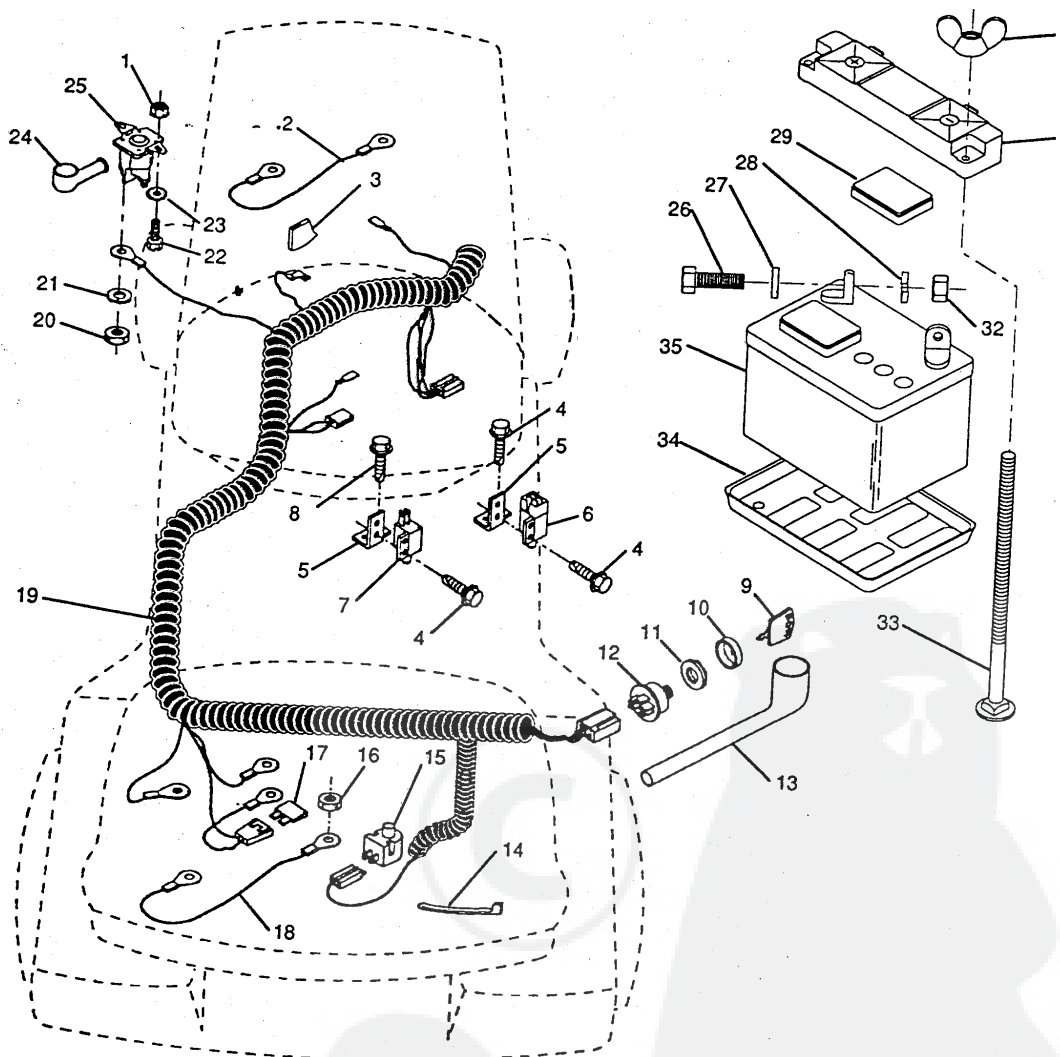
## MOWER DECK

KEY NO.	PART NO.	DESCRIPTION	KEY NO.	PART NO.	DESCRIPTION
1	122028X	Spring, Mower Clutch	17	100668L	Support, Plate Jackshaft
2	76020312	Pin, Cotter 3/32 x 3/4	18	17490614	Screw Hex Thdrol. 3/8-16 x 7/8
3	73680600	Nut, Crownlock 3/8-16 UNC	19	122260X	Blade, Low Lift
4	19131412	Washer 13/32 x 7/8 x 12 Ga.	20	74610624	Bolt, Fin. Hex
5	121316X	Idler, Flat	21	10030600	3/8-24 UNF x 1 1/2 Gr.5
6	19132203	Washer 13/32 x 1 3/8 3 Ga.	22	19132012	Washer, Lock Hvy.3/8
7	126756X	Guide, Belt	23	17490620	Washer 13/32 x 1 1/4 x 12 Ga.
8	123702X	Assembly, Mower Idler Arm	24	72140505	Screw Hex Thdrol. 3/8-16 x 1 1/4
9	72110618	Bolt, Carriage 3/8-16 x 2 1/4	25	73680500	Bolt, Carriage 5/16-18 UNC x 5/8
10	122049X	Rod, Brake	26	72110608	Nut, Crownlock 5/16-18
11	106578X	Assembly, Brake			Bolt, Carriage
12	124293X	V-Belt	27	123439X	3/8-16 UNC x 1 Gr.5
13	124208X	Assembly, Mandrel	28	122051X	Guide, R.H. Rear Belt
14	73680400	Nut, Crownlock 1/4-20	29	123673X	Support, Idler Arm
15	126410X	Housing, Mower 36"	30	122052X	Guide, L.H. Belt
16	72140404	Bolt, Carriage 1/4-20 x 1/2			Spacer, Retainer

HARDWARE SHOWN LARGER FOR EASIER IDENTIFICATION

# ILLUSTRATED PARTS BREAKDOWN

## ELECTRICAL



# ILLUSTRATED PARTS BREAKDOWN

## ELECTRICAL

KEY NO.	PART NO.	DESCRIPTION	KEY NO.	PART NO.	DESCRIPTION
1	73510400	Nut Hex Keps 1/4-20	23	11050400	Washer, Lock Ext. Tooth 1/4
2	105002X	Assembly, Cable	24	719J	Cover, Terminal
3	125896X	Stop, Choke	25	109081X	Solenoid
4	17021008	Screw, Tap Hex Hd. #10-24 x 1/2	26	74760412	Bolt, Hex Hed. 1/4-20 UNC x 3,
5	108236X	Bracket, Switch	27	19091016	Washer 9/32 x 5/8 x 16 Ga.
6	109553X	Switch, Interlock	28	10040400	Washer, Lock
7	104445X	Switch, Interlock	29	121264X	Hvy. Helical Spring 1/4
8	17211008	Screw, Hex Wsh. Tap #10-16 x 1/2	30	123198X	Cap, Battery
9	122147X	Key, Molded	31	102476X	Nut, Plastic, Locking Nut 1/4-20
10	123620X	Cover, Key Ignition	32	73220400	Guard, Terminal
11	124211X	Nut, Ignition	33	72240460	Nut, Fin. Hex 1/4-20 UNC
12	4406R	Switch, Ignition	34	7603J	Bolt, Carriage 1/4-20 UNC x 7 1/2
13	124083X	Cover, Ignition Switch	35	121265X	Tray, Battery
14	7192J	Tie, Cable	-	123374X	Battery
15	121305X	Switch, Plunger	-	125763X	Manual, Owner's (English)
16	73510500	Keps, Nut 5/16-18	-	126707X	Manual, Owner's (French)
17	108824X	Fuse	-	126708X	Manual, Parts (English)
18	596J	Assembly, Cable	-	101539X	Manual, Parts (French)
19	123703X	Harness, Ignition	-	101572X	Slope Sheet (English)
20	73350400	Nut, Hex Jam 1/4-20	-	MS-9811	Slope Sheet (French)
21	10090400	Washer, Lock 1/4			Briggs & Stratton, Operating and
22	74780408	Bolt Fin. Hex 1/4-20 UNC x 1/2 Gr.5			Maintenance Manual

\* STANDARD HARDWARE-PURCHASE LOCALLY

HARDWARE SHOWN LARGER FOR EASIER IDENTIFICATION