

ASSEMBLY/REPAIR PARTS
Model No. CT12542C
Lawn Tractor

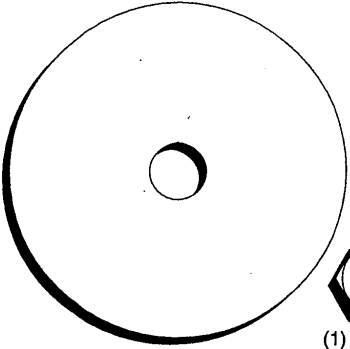
For Parts and Service in the U.S., Call 1-800-849-YARD; In Canada, Call 1-800-263-0660

Rally

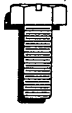
138164 10.26.92
PRINTED IN U.S.A.

CONTENTS OF HARDWARE PACK


Parts Bag contents shown in full size



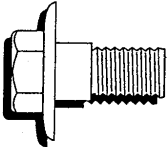
(1) Washer 2-3/8"



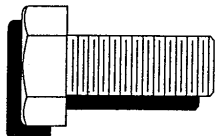
(2) Sheet Metal Screws #10-16 x 1/2



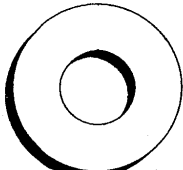
(1) Locknut 3/8 - 24




(1) Shoulder Bolt 5/16-18




(1) Adjustment Bolt 1/2-13 x 1




(1) Washer 17/32 x 1-3/16 x 12 Ga.




(1) Lock washer 1/2




(2) Hex Bolts 1/4 - 20 x 3/4



(2) Hex Nuts 1/4 - 20

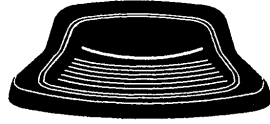


(2) Washers 9/32 x 5/8 x 16 Ga.

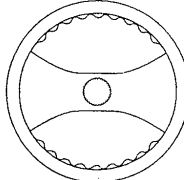


(2) Lock washers 1/4

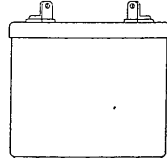
Parts packed separately in carton.



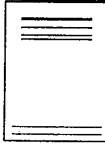
Seat




Steering Wheel




Battery



Owner's Manual




Steering boot




Parts bag

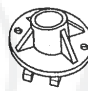
Parts bag contents are not shown in full size.




Steering Wheel Adapter



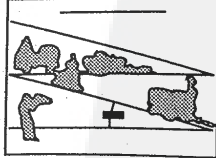
Steering Wheel Insert



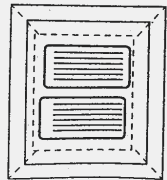
Steering Bushing



(2) Key



15° Slope Sheet



Battery Caps and instructions

ASSEMBLY

Your new tractor has been assembled at the factory with exception of those parts left unassembled for shipping purposes. To ensure safe and proper operation of your tractor, all parts and hardware you assemble must be tightened securely. Use the correct tools as necessary to insure their proper tightness.

TOOLS REQUIRED FOR ASSEMBLY

A socket wrench set will make assembly easier. Standard wrench sizes are listed.

- | | |
|--------------------|---------------------|
| (1) 5/16" wrench | (1) 3/4" wrench |
| (2) 7/16" wrenches | Tire pressure gauge |
| (1) 1/2" wrench | Screwdriver |
| (1) 9/16" wrench | Utility knife |

When right and left hand is mentioned in this manual, it means when you are in the operating position (seated behind the steering wheel).

TO REMOVE UNIT FROM CARTON

UNPACK CARTON

- Remove all accessible loose parts and parts cartons from carton.
- Cut along lines on the carton, from top to bottom, all four corners of carton and lay panels flat.
- Check for any additional loose parts or cartons and remove.

BEFORE ROLLING UNIT OFF SKID

ATTACH STEERING WHEEL (See Fig. 1)

- Slide the steering bushing over the steering shaft.
- Raise steering shaft forward until screw holes in dash line up with steering bushing. Install two (2) sheet metal screws and tighten securely.
- Position steering boot over steering shaft.
- Place tabs of steering boot over slots in dash and push down to secure.
- Slide steering wheel adapter onto upper steering shaft.
- Position front wheels of the tractor so they are pointing straight forward.
- Position steering wheel so cross bars are horizontal (left to right) and slide onto adapter.
- Assemble large flat washer and 3/8-24 hex locknut and tighten securely.
- Snap insert into center of steering wheel.
- Remove protective plastic from tractor hood and grill.

IMPORTANT: CHECK FOR AND REMOVE ANY STAPLES IN SKID THAT MAY PUNCTURE TIRES WHERE UNIT IS TO ROLL OFF SKID.

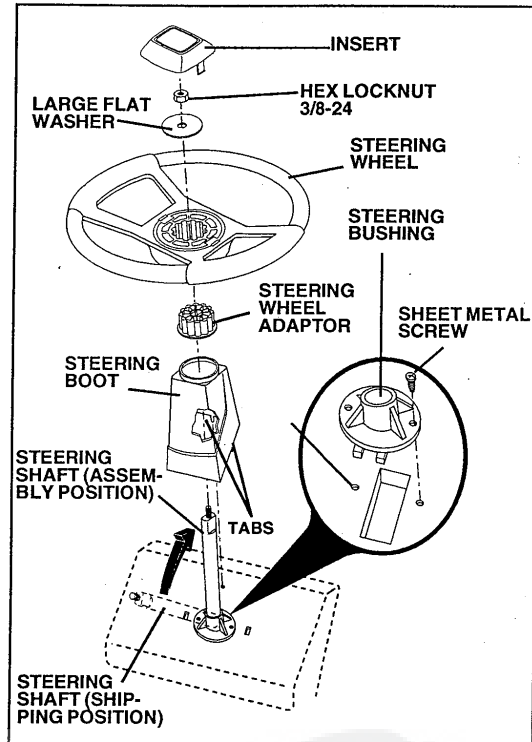



FIG. 1

TO ROLL UNIT OFF SKID

- Raise attachment lift lever to its highest position (See Operator's Manual).
- Release parking brake by depressing clutch/brake pedal (See Operator's Manual).
- Place gearshift lever in "NEUTRAL" position.
- Roll unit backwards off skid.
- Remove banding holding discharging guard up against tractor.

ASSEMBLY

HOW TO SET UP YOUR TRACTOR PREPARE BATTERY (See Fig. 2)



CAUTION: Wear eye and face shield. Wash hands or clothing immediately if accidentally in contact with battery acid. Do not smoke. Fumes from charged battery acid are explosive. Read the instructions included with the battery vent caps. Always wear gloves, clothing and goggles to protect your hands, skin and eyes.

Your tractor has a battery charging system which is sufficient for normal use. However, periodic charging of the battery with an automotive charger will extend its life.

- See instructions packed with vent caps in parts bag.
- Fill battery with acid. Fill each cell until it reaches the bottom of the vent wells. Do not overfill.
- Allow battery to stand and settle for at least thirty minutes. After standing, check the level of acid. If below the vent wells, add more acid until the correct level is reached.

While battery is standing (after adding acid) and later, while battery is being charged, continue with assembly of unit.

IMPORTANT: TO MAXIMIZE THE LIFE OF YOUR BATTERY. IT IS NECESSARY THAT THE BATTERY BE CHARGED BEFORE USE. FAILURE TO CHARGE BATTERY CAN RESULT IN A SHORTENED BATTERY LIFE.

- Charge battery at a rate of 6 amperes for 1 hour. Observe all safety precautions required for battery charging.
- To maximize the life of your battery, it is necessary that the battery be charged before use. Use a 12 volt battery charger. Charge battery at a rate of 6 amperes for 1 hour. Observe all safety precautions required for battery charging. Failure to charge battery can result in a shortened battery life.
- Check the acid level after the battery is charged. If the acid has fallen below the correct level, add distilled or iron free water.
- Install the vent caps to cover the vent wells. Wash the top of the battery with water to remove any acid, then wipe dry.
- Check battery case for leakage to make sure that no damage has occurred in handling.
- Dispose of excess battery acid. Neutralize acid for disposal by adding it to four inches of water in a five gallon plastic container. Stir with a wooden or plastic paddle while adding baking soda until the addition of more soda causes no more foaming.
- Follow instructions on how to install battery.

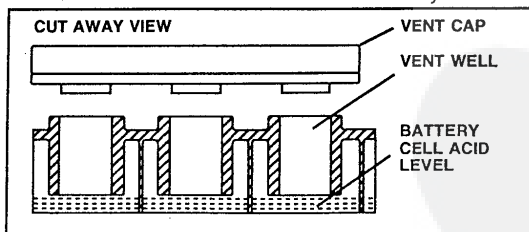


FIG. 2

INSTALL SEAT (See Fig. 3)

Adjust seat before tightening adjustment bolt.

- Remove cardboard packing on seat pan.
- Place seat on pan and assemble shoulder bolt.
- Assemble adjustment bolt, lock washer and flat washer loosely. Do not tighten.
- Tighten shoulder bolt securely.
- Lower seat into operating position and sit on seat.
- Slide seat until a comfortable position is reached which allows you to press clutch/brake pedal all the way down (See Operator's Manual).
- Get off seat without moving its adjusted position.
- Raise seat and tighten adjustment bolt securely.

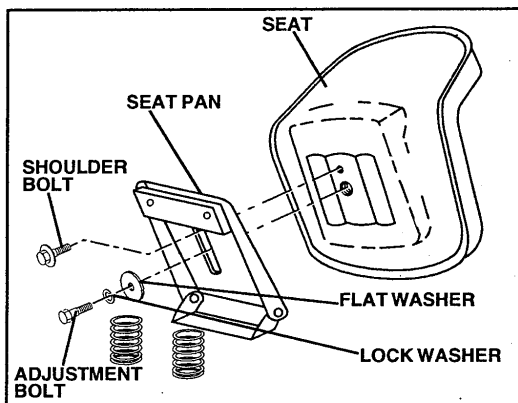


FIG. 3

CHECK TIRE PRESSURE

The tires on your unit were overinflated at the factory for shipping purposes. Correct tire pressure is important for best cutting performance.

- Reduce tire pressure to 14 PSI in front tires and 12 PSI in rear tires.

CHECK DECK LEVELNESS

For best cutting results, mower housing should be properly leveled. See "TO LEVEL MOWER HOUSING" in the Operator's Manual.

CHECK FOR PROPER POSITION OF ALL BELTS

See the figures that are shown for replacing motion and mower blade drive belts in the Operator's Manual. Verify that the belts are routed correctly.

CHECK BRAKE SYSTEM

After you learn how to operate your tractor, check to see that the brake is properly adjusted. See "TO ADJUST BRAKE" in the Operator's Manual.

ASSEMBLY

INSTALL BATTERY (See Figs. 4 & 5)



CAUTION: Do not short battery terminals. Before installing battery, remove metal bracelets, wristwatch bands, rings, etc.

Positive terminal must be connected first to prevent sparking from accidental grounding.

- Lift seat to raised position.
- Open battery box door.
- Lower battery into battery box with battery terminals toward front of the tractor.
- Be sure battery drain tube is attached to battery box.
- First connect RED battery cable to positive (+) battery terminal with hex bolt, flat washer, lock washer and hex nut as shown. Tighten securely.
- Connect BLACK grounding cable to negative (-) battery terminal with remaining hex bolt, flat washer, lock washer and hex nut. Tighten securely.
- Close battery box door.

Open battery box doors for:

- Inspection for secure connections (to tighten hardware)
- Inspection for corrosion
- Testing battery
- Jumping (if required)
- Periodic charging

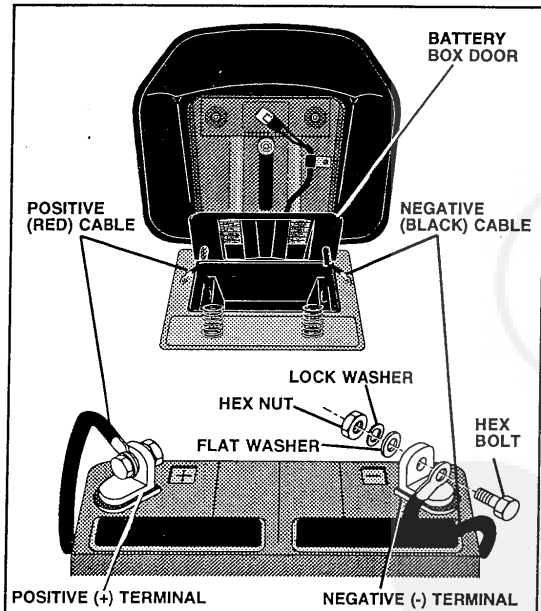


FIG. 4

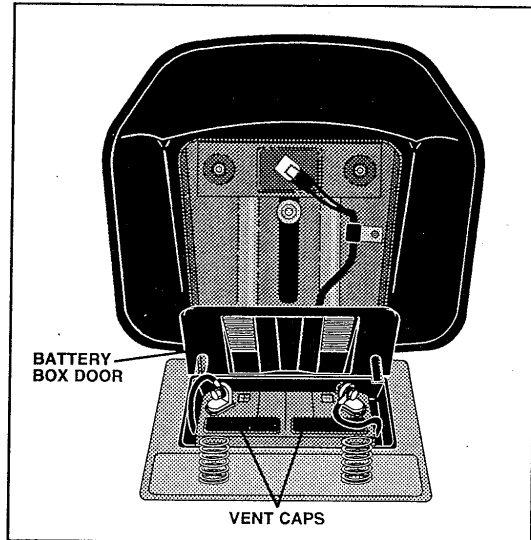


FIG. 5

✓ CHECKLIST

BEFORE YOU OPERATE AND ENJOY YOUR NEW TRACTOR, WE WISH TO ASSURE THAT YOU RECEIVE THE BEST PERFORMANCE AND SATISFACTION FROM THIS QUALITY PRODUCT.

PLEASE REVIEW THE FOLLOWING CHECKLIST:

- ✓ All assembly instructions have been completed.
- ✓ No remaining loose parts in carton.
- ✓ Battery is properly prepared and charged. (Minimum 1 hour at 6 amps).
- ✓ Seat is adjusted comfortably and tightened securely.
- ✓ All tires are properly inflated. (For shipping purposes, the tires were over-inflated at the factory).
- ✓ Be sure mower deck is properly leveled side-to-side/front-to-rear for best cutting results. (Tires must be properly inflated for leveling)
- ✓ Check mower and drive belts. Be sure they are routed properly around pulleys and inside all belt keepers.
- ✓ Check wiring. See that all connections are still secure and wires are properly clamped.

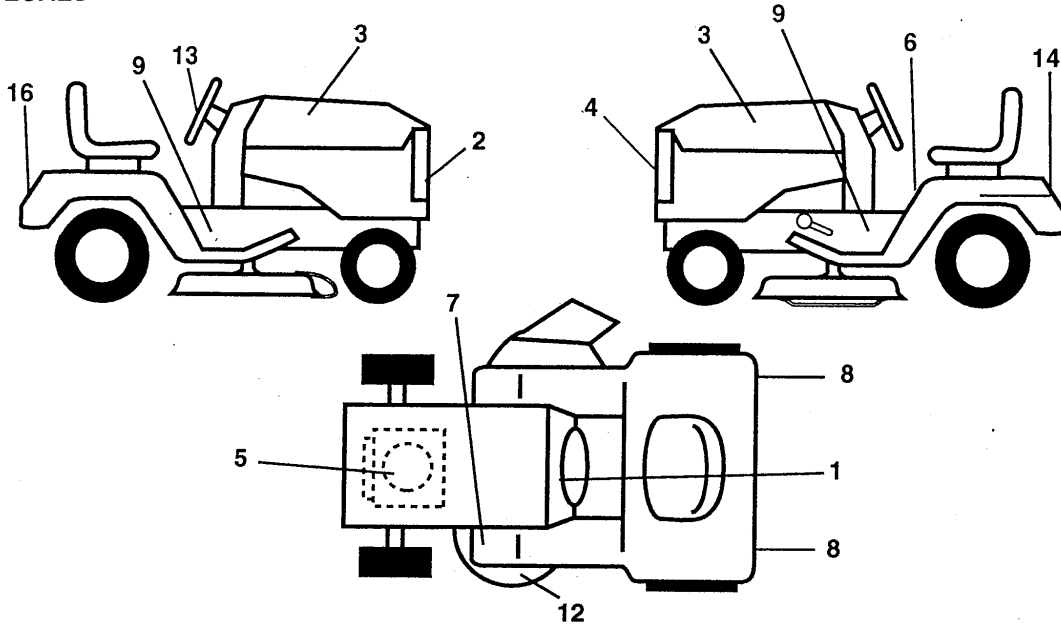
WHILE LEARNING HOW TO USE YOUR TRACTOR, PAY EXTRA ATTENTION TO THE FOLLOWING IMPORTANT ITEMS:

- ✓ Engine oil is at proper level.
- ✓ Fuel tank is filled with fresh, clean, regular unleaded gasoline.
- ✓ Become familiar with all controls - their location and function. Operate them before you start the engine.
- ✓ Be sure brake system is in safe operating condition.

REPAIR PARTS

12.5 HP 42" TRACTOR -- MODEL NUMBER CT12542C

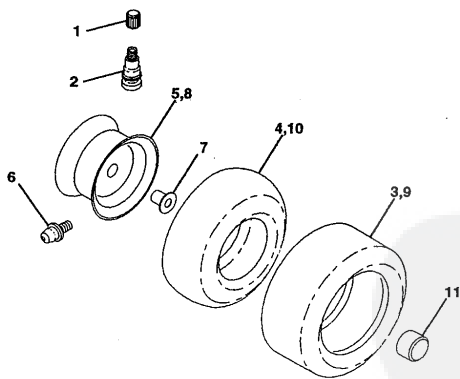
DECALS



KEY NO.	PART NO.	DESCRIPTION
1	136794	Decal Instruction Dash English
2	137964	Decal Grille Rally Plus
3	137452	Decal Hood 12 5HP
4	129823	Decal Stripe Grille
5	129057	Decal Engine 12 5HP B&S
6	133796	Decal Caution Fender English
7	4900J	Decal Clutch/Brake English
8	106202X	Reflector Tail Light Red/amber
9	131425	Decal Chassis 42"6sp
12	135013	Decal Enviro Deck Yellow

KEY NO.	PART NO.	DESCRIPTION
13	137965	Decal Steering Wheel
14	121549X	Decal Caution Battery Fr/ger
16	137962	Decal Fender Rally Plus
--	138311	Decal Handle Lft Height Adjust
--	137372	Manual Oper Gen 93 38/42"e/f
--	138164	Manual Parts
Available accessories not included with your tractor:		
--	C42	Grass Catcher for 42"
--	BD20	42" Snow Blade
--	SB20	40" Snow Thrower
--	CH12	Tire Chains (18 x 8.5 x 8 Turf)
--	LC05	33 Lb. Wheel Wts. (Pair)

WHEELS & TIRES



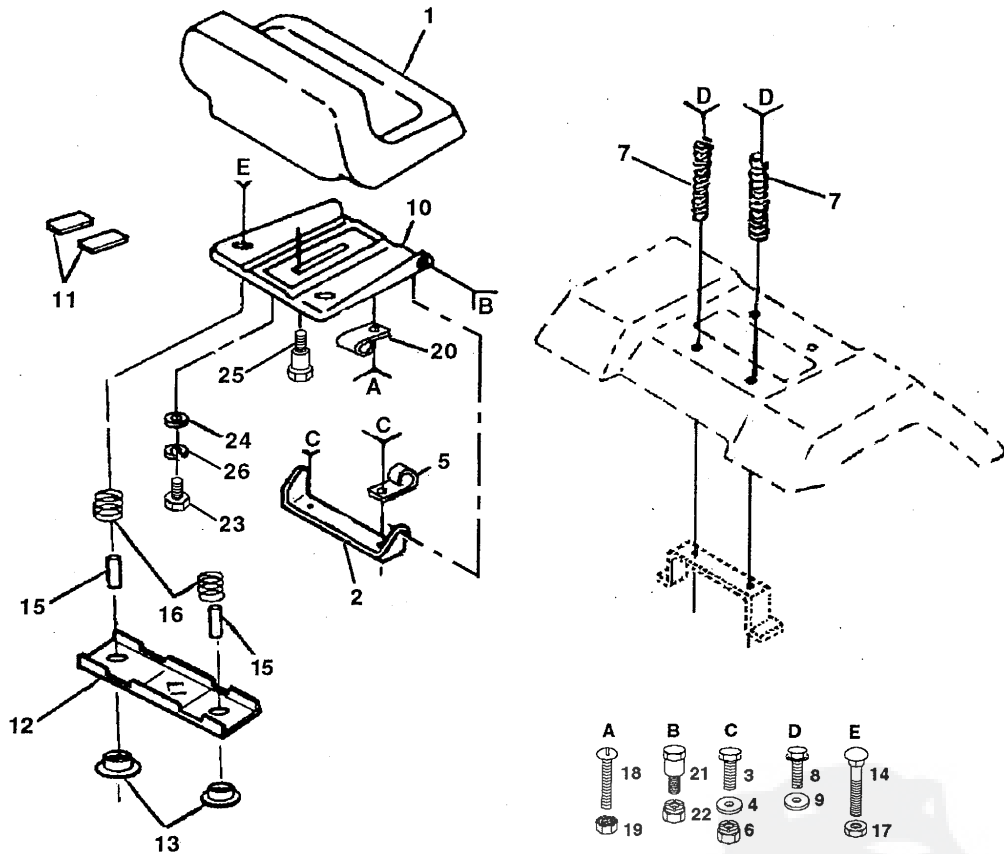
KEY NO.	PART NO.	DESCRIPTION
1	59192	Cap Valve Tire
2	65139	Stem Valve
3	106222X	Tire F Ts 15 X 6 0 - 6 Service
4	59904	Tube Front (Service Item Only)
5	106732X311	Rim Asm 6"front White Service
6	278H	Fitting Grease (Front Wheel Only)
7	9040H	Bearing Flange (Front Wheel Only)
8	106108X311	Rim Asm 8"rear White Service
9	106268X	Tire R Ts 18x9 5-8 C Service
10	7152J	Tube Rear (Service Item Only)
11	104757X	Cap Axle Blk 1 50 X 1 00

NOTE: All component dimensions given in U.S. inches.
1 inch = 25.4 mm.

REPAIR PARTS

12.5 HP 42" TRACTOR -- MODEL NUMBER CT12542C

SEAT ASSEMBLY



KEY NO.	PART NO.	DESCRIPTION
1	127433	Seat V-550 Blk/yel Std
2	126656X	Bracket Pivot Seat
3	74760612	Bolt Hex 3/8 - 16 X 3/4
4	19131210	Washer 13/32 x 3/4 X 10 Ga.
5	2751R	Clip Fuel Line 13/32 Mtg Hole
6	73680600	Nut Crownlock 3/8 - 16 Unc
7	124181X	Spring Seat Cprsn 2 250 Blk Zi
8	17490616	Screw Thdrol 3/8-16 X 1 Ty-tt
9	19131614	Washer 13/32 X 1 X 14 Ga
10	131451	Pan Seat
11	121251X	Strip Foam Gray Or Black
12	121246X	Bracket Mounting Switch
13	121248X	Bushing Snap Blk Nyl 50 Id

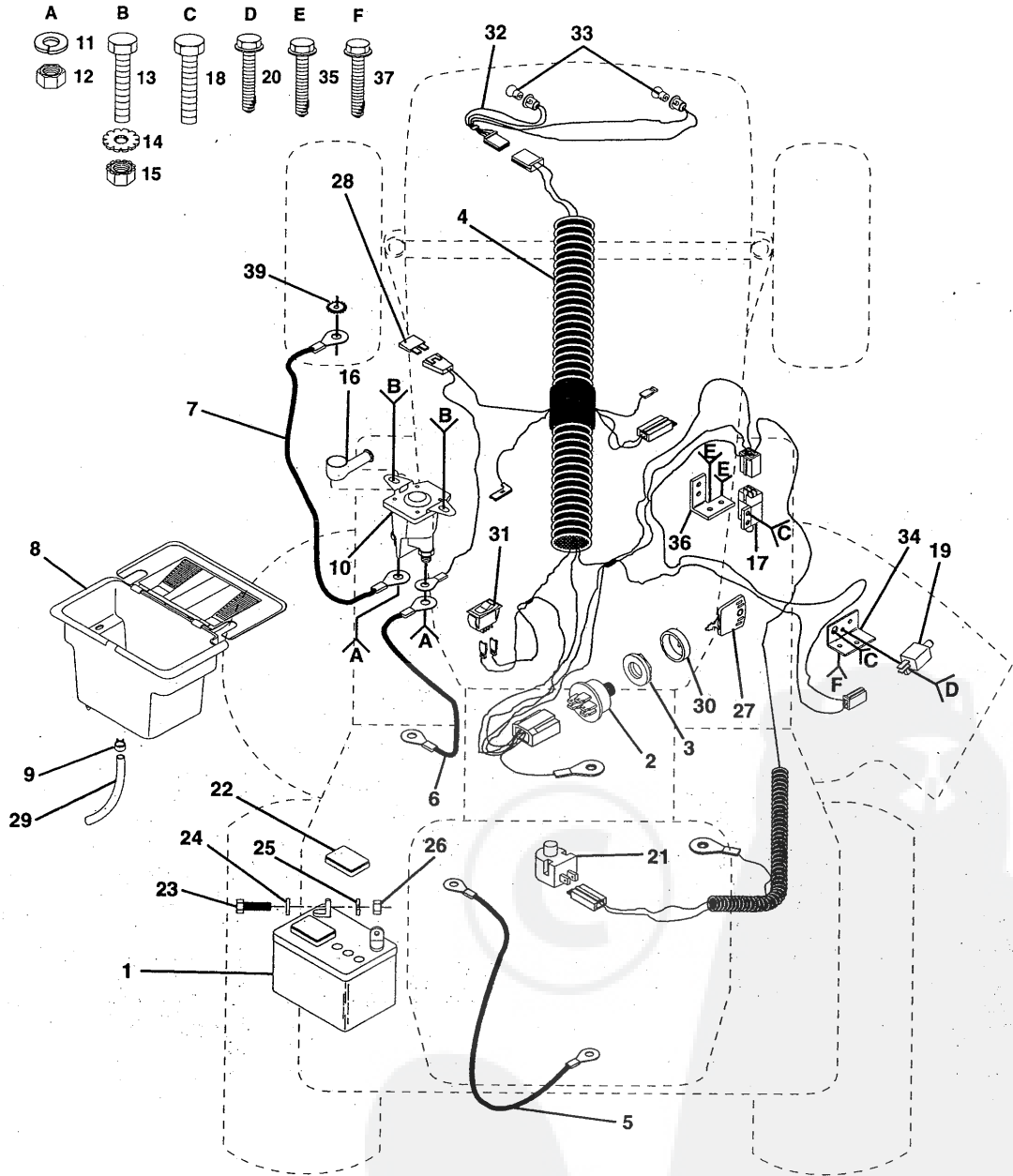
KEY NO.	PART NO.	DESCRIPTION
14	72050411	Bolt Rdhd Sht Nk 1/4-20x1-3/8
15	134300	Spacer Split 28x 96 Yel Zinc
16	121250X	Spring Cprsn 1 27 Blk Pnt
17	123976X	Nut Lock 1/4 Lge Flg Gr 5 Zinc
18	74641008	Screw SLTD Pan Hd #10-32 X 1/2
19	73951000	Nut Keps #10-32 Unf
20	4171R	Clip Insulated 11/32 Mtg Hole
21	105529X	Bolt Shoulder 5/16-18 Unc Blkz
22	73680500	Nut Crown Lock 5/16-18
23	74780814	Bolt Fin Hex 1/2-13 X 7/8 Gr 5
24	19171912	Washer 17/32 X 1-3/16 X 12 Ga
25	127018X	Bolt Shoulder 5/16-18 X 62
26	10040800	Washer Lock Hvy Hlcl Spr 1/2

NOTE: All component dimensions given in U.S. inches
1 inch = 25.4 mm.

REPAIR PARTS

12.5 HP 42" TRACTOR - - MODEL NUMBER CT12542C

ELECTRICAL



REPAIR PARTS

12.5 HP 42" TRACTOR - - MODEL NUMBER CT12542C

ELECTRICAL

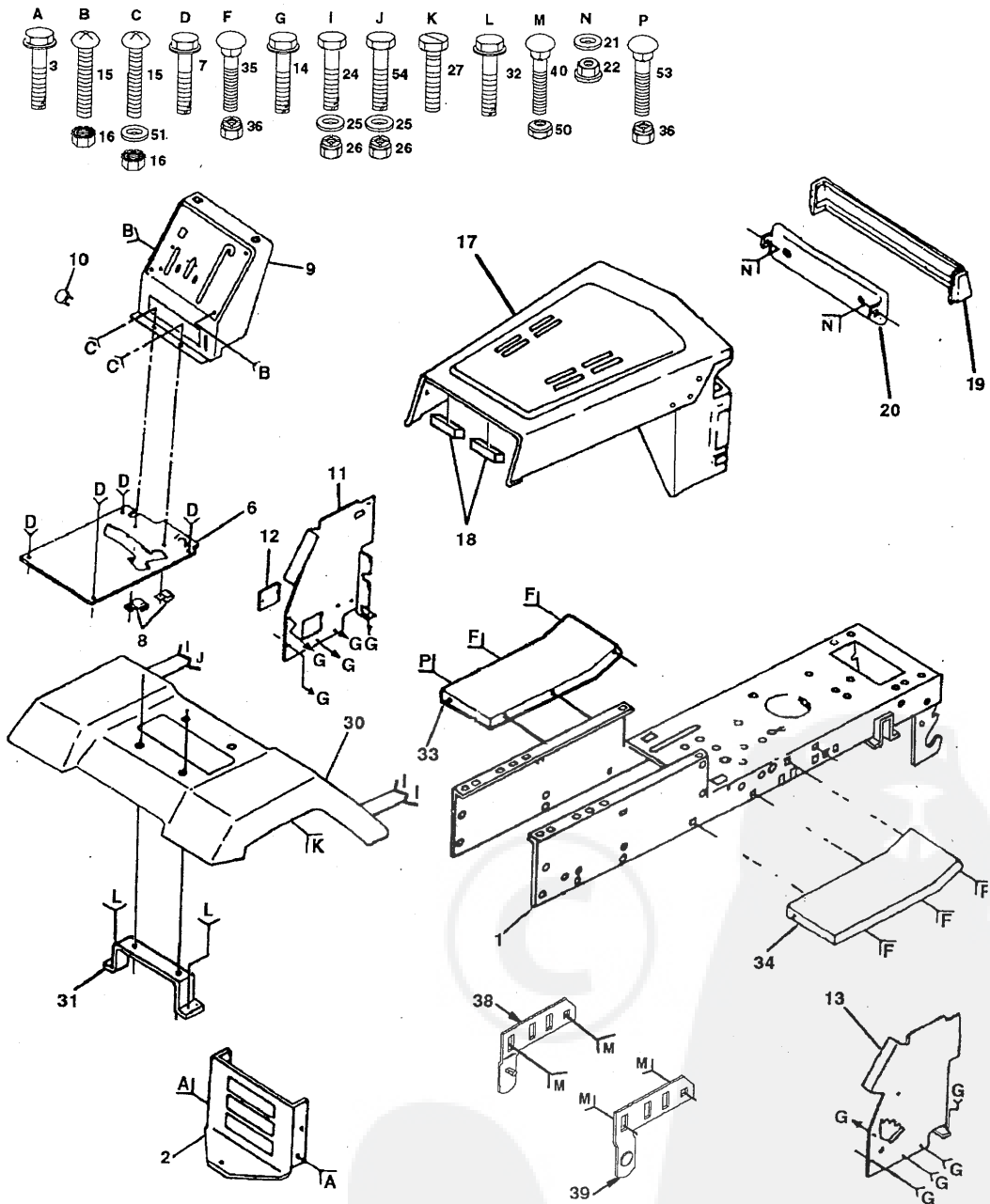
KEY NO.	PART NO.	DESCRIPTION
1	121265X	Battery 12 VOLT 25 AMP
2	4406R	Switch Ign 5 Term Wo/wash/nut
3	124211X	Nut Ignition
4	132017	Harness Ign Bs/tec Dash HI
5	4207J	Cable Ground 6 Ga 12"black
6	132202	Cable Battery 6 Ga 43"red
7	4799J	Cable Battery 6 Ga 11"red "
8	129965	Case Battery Hng Mech W/lid
9	109596X	CLAMP Hose Olive
10	138406	Solenoid
11	10090400	Washer Lock 1/4
12	73350400	Nut Jam Hex 1/4-20 Unc
13	74780408	Bolt Fin Hex 1/4-20uncx1/2 Gr5
14	11050400	Washer Lock Ext Tooth 1/4
15	73510400	Nut Keps Hex 1/4-20 Unc
16	131563	Cover Terminal Red
17	109553X	Switch Intlk Clutch Gry 4 Term
18	17021008	Screw Tap Hex #10-24unc X 1/2
19	104445X	Switch Intlk Clutch Gry 2 Term
20	17021008	Screw Tap Hex #10-24unc X 1/2
21	121305X	Switch Plunger Nc Gray
22	121264X	Caps Battery 20/25/30 AMP
23	74760412	Bolt Hex Hd 1/4-20unc X 3/4
24	19091016	Washer 9/32 X 5/8 X 16 Ga
25	10040400	Washer Lock Hvy Helical 1/4
26	73220400	Nut Fin Hex 1/4-20 Unc
27	7552H	Key Ignition
28	108824X	Fuse 30 AMP Auto Green
29	109238X	Tube Plastic 12"
30	123620X	Cover Sw Key Blk 1 25 Text SLT
31	110712X	Switch Light Blk Blk Red
32	136850	Harness Asm Light W/4152j
33	7662J	Bulb Light #1141
34	108236X	Bracket Switch Clutch
35	17021008	Screw Tap Hex #10-24unc X 1/2
36	130890	Bracket Switch Interlock
37	17021008	Screw Tap Hex #10-24unc X 1/2
39	11150400	Washer Lock Internal Tooth 1/4

NOTE: All component dimensions give in U.S. inches
1 inch = 25.4 mm.

REPAIR PARTS

12.5 HP 42" TRACTOR -- MODEL NUMBER CT12542C

CHASSIS AND ENCLOSURES



REPAIR PARTS

12.5 HP 42" TRACTOR - - MODEL NUMBER CT12542C

CHASSIS AND ENCLOSURES

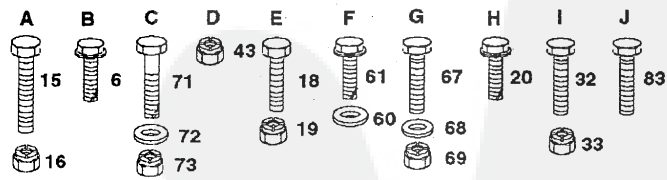
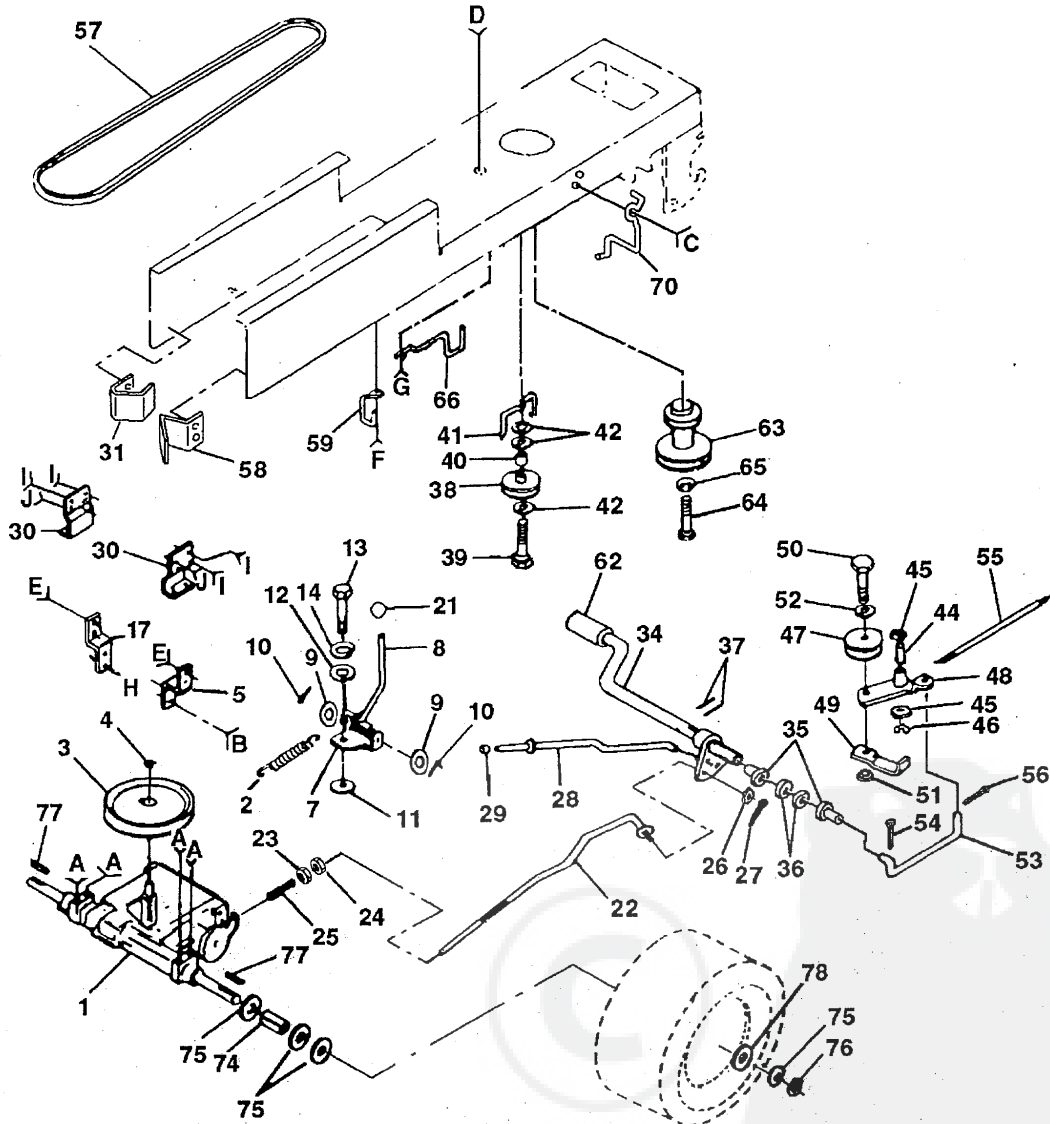
KEY NO.	PART NO.	DESCRIPTION
1	135034	Chassis Wldmt 11ga 38/42 W/pvt
2	130805	Drawbar 12 Ga 46 5"wheel Base
3	17490612	Screw Thdrol 3/8-16x3/4 Ty-tt
6	130800X029	Saddle Slkscr Dana 6sp LT Flat
7	17490608	Screw Thdrol 3/8-16x1/2 Ty-tt
8	2751R	Clip Line Fuel 13/32 Mtg Hole
9	137411X012	Dash Slkscr 1-pc M W/i N/c Sym
10	5479J	Plug Button Blk 359 Dia Choke
11	122795X	Panel Dash LH
12	121794X	Cover Access Black Square
13	126276X	Panel Dash RH Weldment
14	17490608	Screw Thdrol 3/8-16x1/2 Ty-tt
15	74180512	Screw Mach TRHD 5/16-18uncx3/4
16	73510500	Nut Keps 5/16-18 Unc
17	133956X419	Hood/grille Welded Slkscr 419
18	126938X	Bumper Hood
19	133805	Lens Grille HI Bar Clear LT
20	132257	Bezel Light
21	19091216	Washer 9/32 X 3/4 X 16 Ga.
22	108067X	Nut Pal
24	74760612	Bolt Fin Hex 3/8 - 16 X 3/4
25	19131312	Washer 13/32 X 13/16 X 12 Ga.
26	73680600	Nut Crownlock 3/8 - 16 Unc
27	17490608	Screw Thdrol 3/8-16x1/2 Ty-tt
30	109872X419	Fender Pnt
31	136619	Bracket Fender Repl 109873x
32	17490612	Screw Thdrol 3/8-16x3/4 Ty-tt
33	105476X419	Footrest Pnt LH Perf (R Green)
34	105475X419	Footrest Pnt RH Perf (R Green)
35	72110606	Bolt Carriage 3/8 - 16 X 3/4
36	73680600	Nut Crownlock 3/8 - 16 Unc
38	134774	Bracket Asm Pvt42 LH MWR Rear
39	134775	Bracket Asm Pvt42 RH MWR Rear
40	72140606	Bolt Rdhd Sqnk 3/8-16unc X3/4
50	73800600	Nut Lock Hex W/wsh 3/8-16unc
51	19131216	Washer 13/32 X 3/4 X 16 Ga
53	72140608	Bolt Carriage 3/8 - 16 X 1
54	74760614	Bolt Hex 3/8 - 16 X 7/8

NOTE: All component dimensions are given in U.S. inches.
1 inch = 25.4 mm.

REPAIR PARTS

12.5 HP 42" TRACTOR --- MODEL NUMBER CT12542C

DRIVE



REPAIR PARTS

12.5 HP 42" TRACTOR - - MODEL NUMBER CT12542C

DRIVE

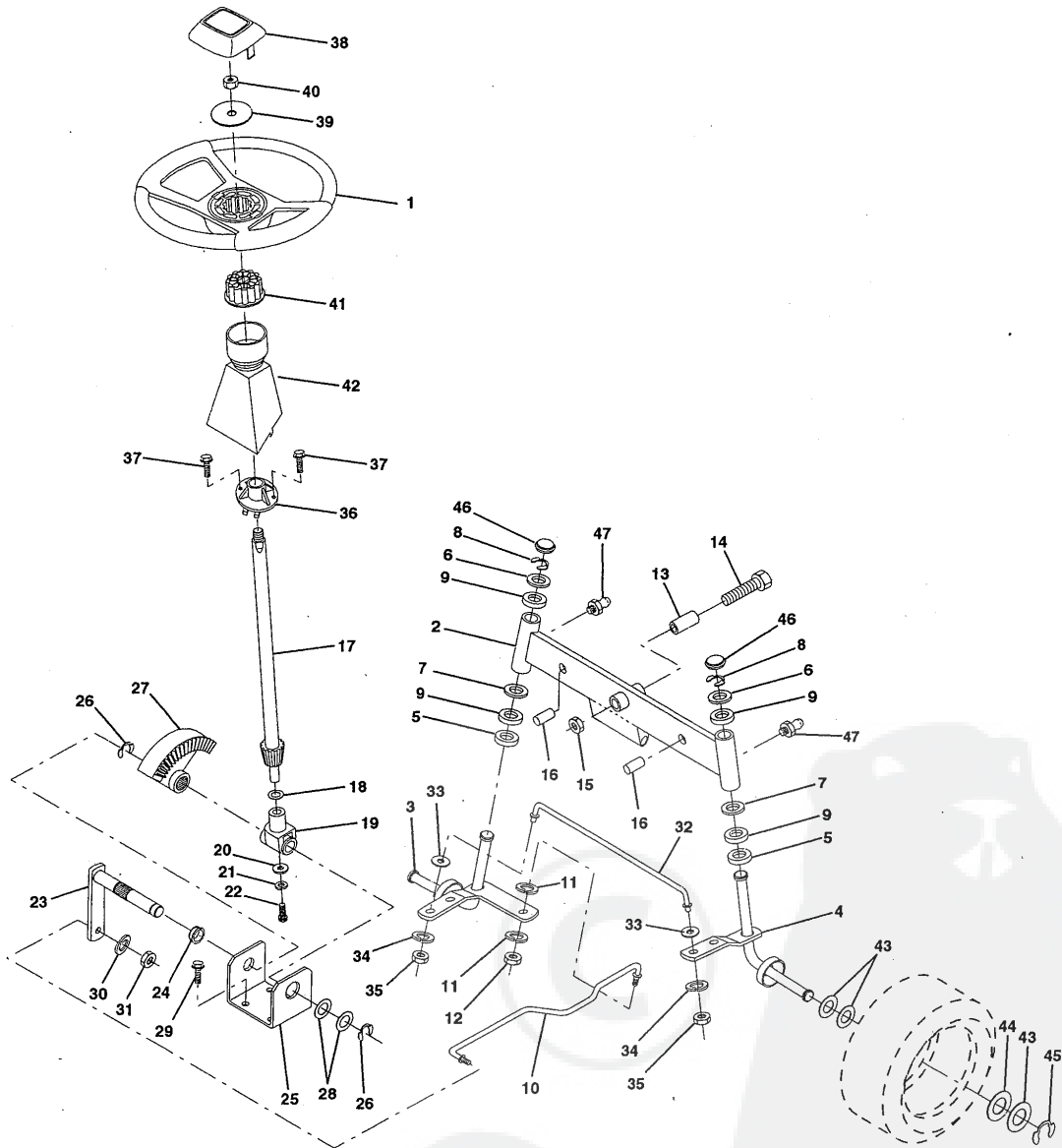
KEY NO.	PART NO.	DESCRIPTION	KEY NO.	PART NO.	DESCRIPTION
1	-----	Transaxle 6sp Std D4360-48	42	19131312	Washer 13/32 X 13/16 X 12 Ga
2	110422X	Spring Return Brake T/a Zinc	43	73680600	Nut Crownlock 3/8-16 Unc
3	123666X	Pulley Transaxle 18" tires	44	105706X	Bearing Nyl 503 X 628 X 1 25
4	12000028	Ring Retainer # 5100-62	45	110812X	Washer Hardened
5	121520X	Strap Torque 30 Degrees	46	12000039	Ring Klip #15304-50
6	17490512	Screw Thdrol 5/16-18 X 3/4 TYT	47	127783	Pulley Idler V Groove Plastic
7	130802	Bracket Saddle Shift T/a	48	123789X	Bellcrank Asm Clutch
8	131679	Rod Shf Sdl LY/YT Str Blk Zinc	49	123205X	Retainer Belt Style Spring
9	19151216	Washer 15/32 X 3/4 X 16 Ga	50	74760624	Bolt Hex Hd 3/8-16unc X 1-1/2
10	76020416	Pin Cotter 1/8 X 1 Cad	51	73680600	Nut Crownlock 3/8-16 Unc
11	105701X	Washer Plate Shf 388 Sq Hole	52	19131316	Washer 13/32 X 13/16 X 16 Ga
12	19091210	Washer 9/32 X 3/4 X 10 Ga	53	105710X	Link Clutch 7 66
13	71040412	Bolt Fin Hex 1/4-28unfx3/4 Gr8	54	76020412	Pin Cotter 1/8 X 3/4 Cad
14	10040400	Washer Lock Hvy Helical 1/4	55	105709X	Spring Return Clutch 6 75
15	74760540	Bolt Fin Hex 5/16-18uncx 2-1/2	56	76020412	Pin Cotter 1/8 X 3/4 Cad
16	73680500	Nut Crown Lock 5/16-18	57	130801	V-Belt Ground Drive 95 25 42"
17	121520X	Strap Torque 30 Degrees	58	127274X	Keeper Belt RH LT Pnt/zinc 16g
18	74760612	Bolt Fin Hex 3/8-16unc X 3/4	59	136715	Keeper Belt Chassis Span Ctr
19	73680600	Nut Crownlock 3/8-16 Unc	60	19131312	Washer 13/32 X 13/16 X 12 Ga
20	17490512	Screw Thdrol 5/16-18 X 3/4 TYT	61	17490612	Screw Thdrol 3/8-16x3/4 Ty-tt
21	106279X	Knob Rd 1/2-13 Plstc Thds Yel	62	8883R	Cover Pedal Blk Round
22	130804	Rod Brake Blk Zinc 26 840	63	134825	Engine Pulley LT/YT
23	73800600	Nut Lock Hex W/wsh 3/8-16unc	64	71170764	Bolt Hex 7/16-20x4 Gr 5
24	73350600	Nut Hex Jam 3/8-16 Unc	65	10040700	Washer Lock Hvy Hlcl Spr 7/16
25	106888X	Spring Rod Brake 2 00 Zinc	66	129921	Keeper Belt Engine LH LT
26	19131316	Washer 13/32 X 13/16 X 16 Ga	67	74760616	Bolt Fin Hex 3/8-16unc X 1
27	76020412	Pin Cotter 1/8 X 3/4 Cad	68	19131312	Washer 13/32 X 13/16 X 12 Ga
28	128904	Rod Brake Parking LT	69	73680600	Nut Crownlock 3/8-16 Unc
29	7733J	Cap Parking Brake Yellow	70	134683	Guide Belt Mower Drive RH
30	130807	Bracket Mtg Transaxle	71	74760616	Bolt Fin Hex 3/8-16unc X 1
31	127275X	Keeper Belt LH LT 14 Ga	72	19132012	Washer 13/32 X 1-1/4 X 12 Ga
32	74760512	Bolt Hex Hd 5/16-18unc X 3/4	73	73680600	Nut Crownlock 3/8-16 Unc
33	73680500	Nut Crown Lock 5/16-18	74	109502X	Spacer Split 80x1 94 Cad/zinc
34	122424X	Shaft Asm Pedal Foot 1 930	75	121749X	Washer 25/32 X 1 1/4 X 16 Ga
35	120183X	Bearing Nylon Blk 629 Id	76	12000001	E-ring #5133-75
36	19211616	Washer 21/32 X 1 X 16 Ga	77	123583X	Key Square 2 0 X 1845/ 1865
37	1572H	Pin Roll 3/16 X 1"	78	121748X	Washer 25/32 X 1-5/8 X 16 Ga
38	123674X	Pulley Idler Flat	83	17490612	Screw Thdrol 3/8-16x3/4 Ty-tt
39	74760644	Bolt Fin Hex 3/8-16unc X 2-3/4			
40	4470J	Spacer Split 395 X 59 Bzp			
41	109070X	Keeper Belt Retainer			

NOTE: All component dimensions give in U.S. inches.
1 inch = 25.4 mm.

REPAIR PARTS

12.5 HP 42" TRACTOR -- MODEL NUMBER CT12542C

STEERING ASSEMBLY



REPAIR PARTS

12.5 HP 42" TRACTOR - - MODEL NUMBER CT12542C

STEERING ASSEMBLY

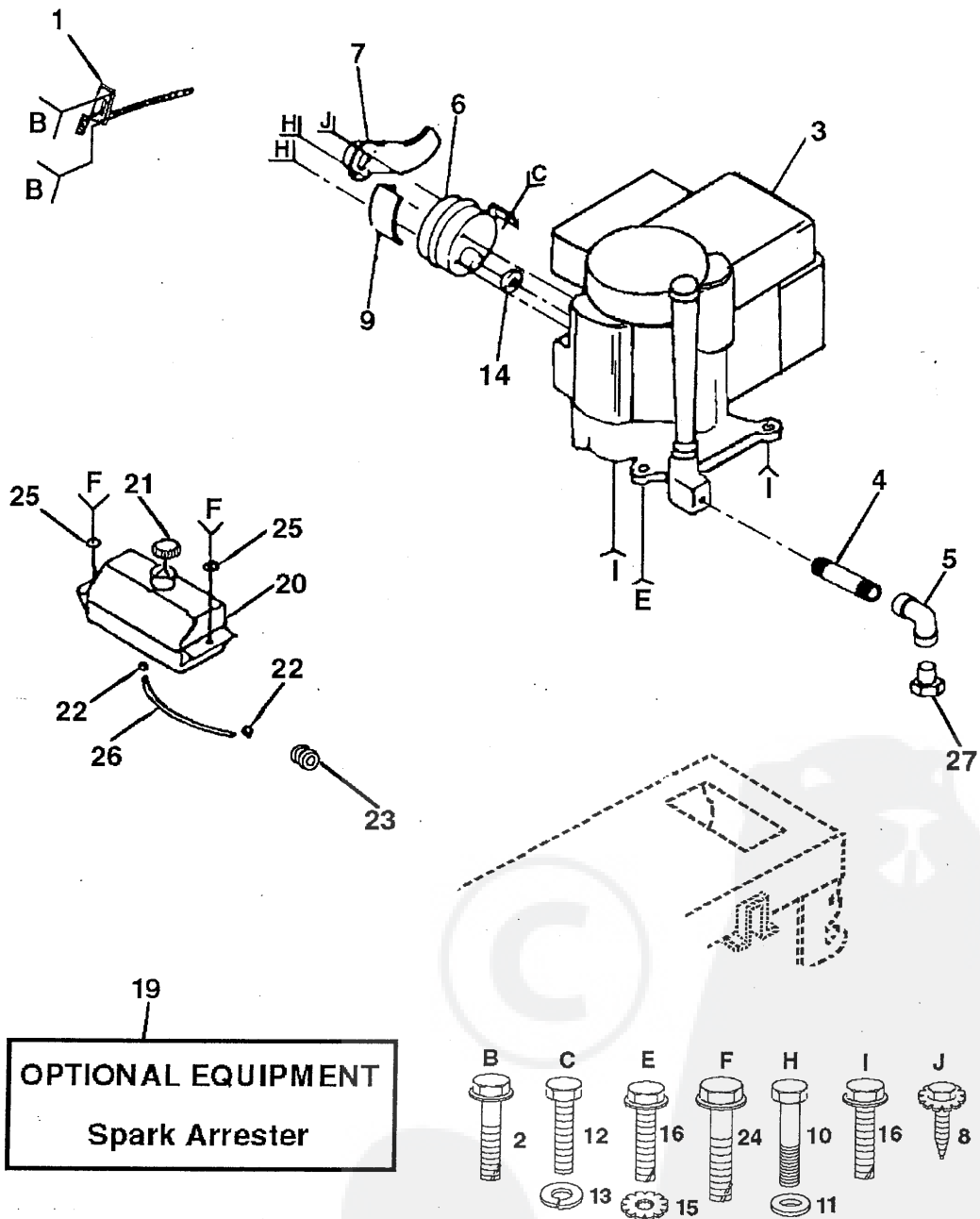
KEY NO.	PART NO.	DESCRIPTION
1	133741	Wheel Steering Ayp/kelch Blk
2	133988	Axle Asm Fr LT W/gzks 38/42
3	135227	Spindle Asm LH
4	135228	Spindle Asm RH
5	6266H	Bearing Race Thrust Harden
6	121748X	Washer 25/32 X 1-5/8 X 16 Ga
7	19272016	Washer 27/32 X 1-1/4 X 16 Ga
8	12000029	Ring Klip #t5304-75
9	3366R	Bearing Col Strg Blk
10	130468	Link Drag Sol Ball Jt 20 064
11	10040600	Washer Lock Hvy Hlcl Spr 3/8
12	73610600	Nut Fin Hex 3/8-24 Unf
13	110438X	Spacer Bearing Axle Front
14	74011056	Bolt Hex 5/8-11 Unc X 3-1/2
15	73901000	Nut Lock Flange 5/8-11 Unc
16	132624	Pin Axle 5/8 X 1 55/1 54 Lg
17	132614	Shaft Asm Strg 5/8 X 15 19 LT
18	57079	Washer Thrust 515x 750x 033
19	124035X	Support Shaft
20	126684X	Washer Shim 1/4 X 5/8 X 062
21	10040400	Washer Lock Hvy Helical 1/4
22	71070410	Screw Hex Socket 1/4-20 X 5/8
23	127501	Shaft Asm Pittman
24	109816X	Nyliner Snap In
25	124036X	Bracket Steering
26	12000029	Ring Klip #t5304-75
27	136874	Gear Sector 22 Teeth
28	6266H	Bearing Race Thrust Harden
29	17490612	Screw Thdrol 3/8-16x3/4 Ty-tt
30	10040600	Washer Lock Hvy Hlcl Spr 3/8
31	73610600	Nut Fin Hex 3/8-24 Unf
32	130467	Rod Tie Ball Jt Sol 19 75 Elec
33	19111216	Washer 11/32 X 3/4 X 16 Ga
34	10040500	Washer Lock Hvy Hlcl Spr 5/16
35	73810500	Locknut 5/16-24 Unf 3847
36	132196	Bushing Strg 5/8 Id Dash
37	17431008	Screw Slftp #10-16 X 1/2 Ty-b
38	133742	Cap Wheel Steer Ayp/kelch Blk
39	19133808	Washer 13/32 X 2-3/8 X 8 Ga
40	7810H	Nut Lock Center 3/8-24unf
41	104820X	Adaptor Wheel Strg 640/ 635id
42	124418X	Boot Steering Shaft
43	121749X	Washer 25/32 X 1 1/4 X 16 Ga
44	121748X	Washer 25/32 X 1-5/8 X 16 Ga
45	12000029	Ring Klip #t5304-75
46	121232X	Cap Spindle Fr Top Blk
47	6855M	Fitting Grease

NOTE: All component dimensions given in U.S. inches.
1 inch = 25.4 mm.

REPAIR PARTS

12.5 HP 42" TRACTOR -- MODEL NUMBER CT12542C

ENGINE



REPAIR PARTS

12.5 HP 42" TRACTOR - - MODEL NUMBER CT12542C
ENGINE

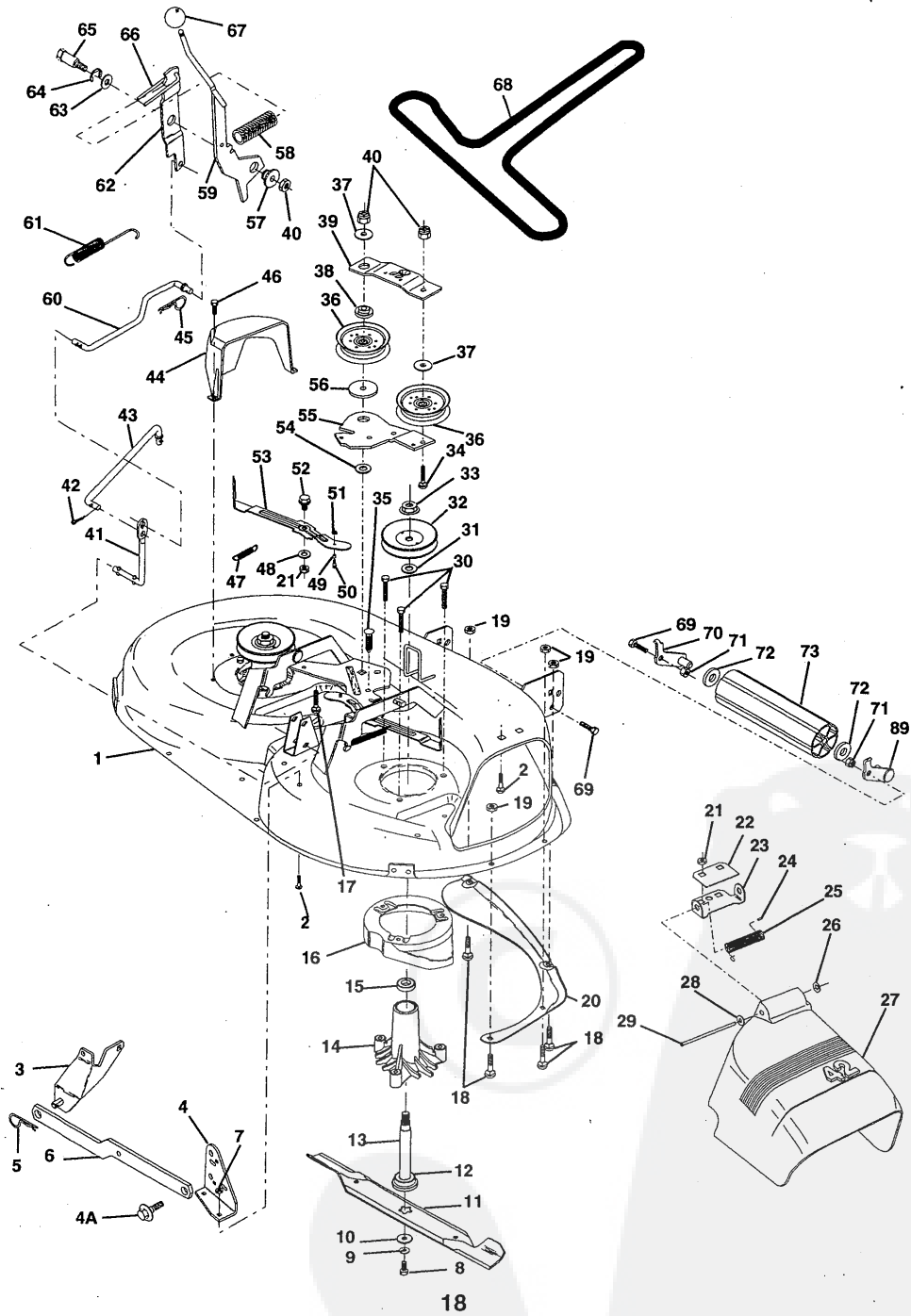
KEY NO.	PART NO.	DESCRIPTION
1	132771	Control Th/ch RH Blk Tee 15 10
2	17720410	Screw Hex Thd Cut 1/4-20x5/8 T
3	-----	Engine B&S 12 5HP lcc Dual 1vt Model No. 286707
4	13280324	Nipple Pipe 3/8 Npt X 3"
5	13200300	Elbow Std 90 Degree 3/8-18 Npt
6	101273M	Muffler Exhaust B&S Lc
7	108767X	Deflector Asm Muffler
8	17030808	Screw Spiderloc Hexhd#8x1/2 Ab
9	101159L	Shield Ht Muff 2 20 Alum Lcost
10	74780556	Bolt Fin Hex 5/16-18unc X3-3/8
11	19111012	Washer 11/32 X 5/8 X 12 Ga
12	74780408	Bolt Fin Hex 1/4-20uncx1/2 Gr5
13	10040400	Washer Lock Hvy Helical 1/4
14	125593X	Gasket Eng 1 313 Id Tin Plated
15	11050600	Washer Lock Ext Tooth 3/8
16	17490620	Screw Thdrol 3/8-16x1-1/4 TYTT
19	137180	Kit Spark Arrestor (Flat Scrn)
20	109202X	Tank Fuel Front 1 25
21	123549X	Cap Asm Fuel W/sym Vented
22	123487X	Clamp Hose Blk
23	124028X	Bushing Snap Nyl Blk Fuel Line
24	17490412	Screw Hexwsh Thdrol 1/4-20x3/4
25	19091416	Washer 9/32 X 7/8 X 16 Ga
26	8548R	Line Fuel
27	-----	Plug Oil Drain (Order From Engine Manufacturer)

NOTE: All component dimensions given in U.S. inches.
1 inch = 25.4 mm

REPAIR PARTS

12.5 HP 42" TRACTOR -- MODEL NUMBER CT12542C

42" MOWER DECK



REPAIR PARTS

12.5 HP 42" TRACTOR - - MODEL NUMBER CT12542C

42" MOWER DECK

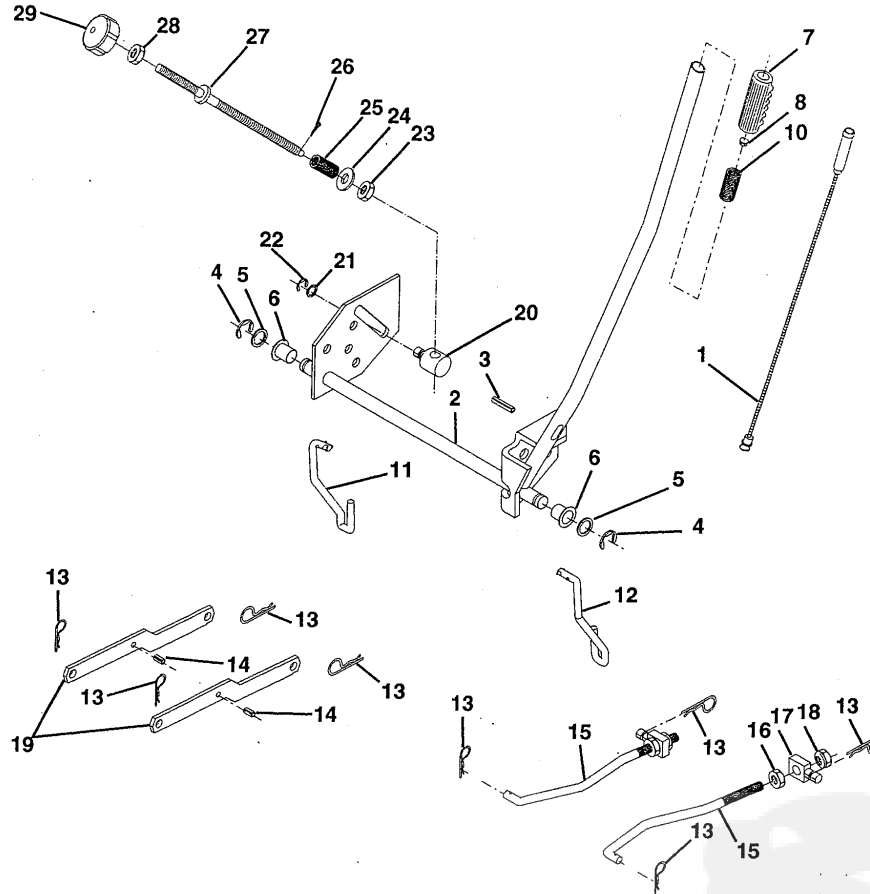
KEY NO.	PART NO.	DESCRIPTION	KEY NO.	PART NO.	DESCRIPTION
1	138024	Deck Asm MWR 42" weldment	39	133503	Stiffener Arm Idler Upper 42"
2	72140506	Bolt Rdhd Sqnk 5/16-18unc X3/4	40	73680600	Nut Crownlock 3/8-16 Unc
3	138017	Bracket Asm Fr Sway Bar 38/42	41	133551	Rod Pivot W/nibs
4	138440	Bracket Asm Deck 42" sway Bar	42	76020312	Pin Cotter 3/32 X 3/4 Cad
4a	132827	Bolt Shoulder	43	133504	Rod Clutch Secondary W/nibs
5	4939M	Retainer Spring	44	134236	Guard Mandrel LH Black
6	130832	Arm Suspension Rear	45	4497H	Spring Retainer 1" Zinc/cad
7	73800500	Locknut-hex W/ins 5/16-18unc P	46	17720410	Screw Hex Thd Cut 1/4-20x5/8 T
8	850857	Bolt 3/8-24x1 25 Gr8 Patched	47	131335	Spring Extension
9	10030600	Washer Lock Hvy 3/8 Unplated	48	133944	Washer Hardened Smaller
10	129962	Washer Hard Blade Mower Vented	49	133940	Roller Asm Cam Follower 42" dec
11	138498	Blade Mower High Perf 42"	50	131340	Bolt Shldr 10-24 Zinc Gr 5 42"
12	129895	Bearing Ball #6204 (Mandrel)	51	69180	Nut Lock #10-24 Unc
13	133172	Shaft Asm W/lower Bearing	52	105529X	Bolt Shoulder 5/16-18 Unc Blkz
14	128774	Housing Mandrel Vented(machd)	53	131845	Arm Asm Pad Brake
15	110485X	Bearing Ball Mandrel	54	133943	Washer Hardened
16	136929	Stripper Mower Vented	55	133844	Arm Idler 42" mower LT/YT
17	72110618	Bolt Rdhd Sqnk 3/8-16 X 2-1/4	56	122052X	Spacer Retainer Pm Mower
18	72140505	Bolt Rdhd Sqnk 5/16-18 X 5/8	57	127498	Bushing 747 Od X 794 Lg Brass
19	73800500	Locknut-hex W/ins 5/16-18unc P	58	128759	Spring Clutch Mower 2 750 Zinc
20	136888	Baffle Vortex 42	59	133573	Arm Asm Clutch Primary
21	73680500	Nut Crown Lock 5/16-18	60	134666	Rod Clutch Primary 38/42
22	134753	Stiffener Bracket 42" deck	61	131870	Spring Return
23	131267	Bracket Deflector Mower 42"	62	127847	Arm Clutch Secondary
24	105304X	Cap Sleeve 80x 112 Blk Mower	63	121748X	Washer 25/32 X 1-5/8 X 16 Ga
25	123713X	Spring Torsion Deflector 2 52	64	12000029	Ring Klip #5304-75
26	110452X	Nut Push Phos & Oil	65	128903	Bolt Shoulder 3/8-16 Unc 1 44
27	130968	Shield Deflector Mower 42" Blk	66	127845	Keeper Spring 4 000
28	19111016	Washer 11/32 X 5/8 X 16 Ga	67	7803J	Knob Rd 3/8-16 Plstc Thds Yel
29	131491	Rod Hinge 42" 6 75 Wlg	68	130969	V-Belt Mower 42" 92 40
30	78158	Bolt 5/16-18 X 1 25 T/t	69	74760616	Bolt Fin Hex 3/8-16unc X 1
31	129963	Washer Spacer Mower Vented	70	132274	Bracket Asm Noseroller LH
32	129861	Pulley Mandrel 42"	71	73680600	Nut Crownlock 3/8-16 Unc
33	73050900	Nut 9/16top Lock Fling Oil Dip	72	19171416	Washer 17/32 X 7/8 X 16 Ga
34	72110614	Bolt Rdhd 3/8-16uncx1-3/4 Gr5	73	132264	Roller Nose 38 & 42
35	133835	Fastner Christmas Tree	89	132273	Bracket Asm Noseroller RH
36	131494	Pulley Idler Flat 3 060	--	138357	Deck Service 42" Mech Vent
37	19131612	Washer 13/32 X 1 X 12 Ga	--	130794	Mandrel Asm Service (Includes Key
38	133502	Spacer Arm Idler Upper Hdn 42"			Nos. 8-10, 12-15, 31 and 33)

NOTE: All component dimensions given in U.S. inches
1 inch = 25.4 mm

REPAIR PARTS

12.5 HP 42" TRACTOR - - MODEL NUMBER CT12542C

LIFT



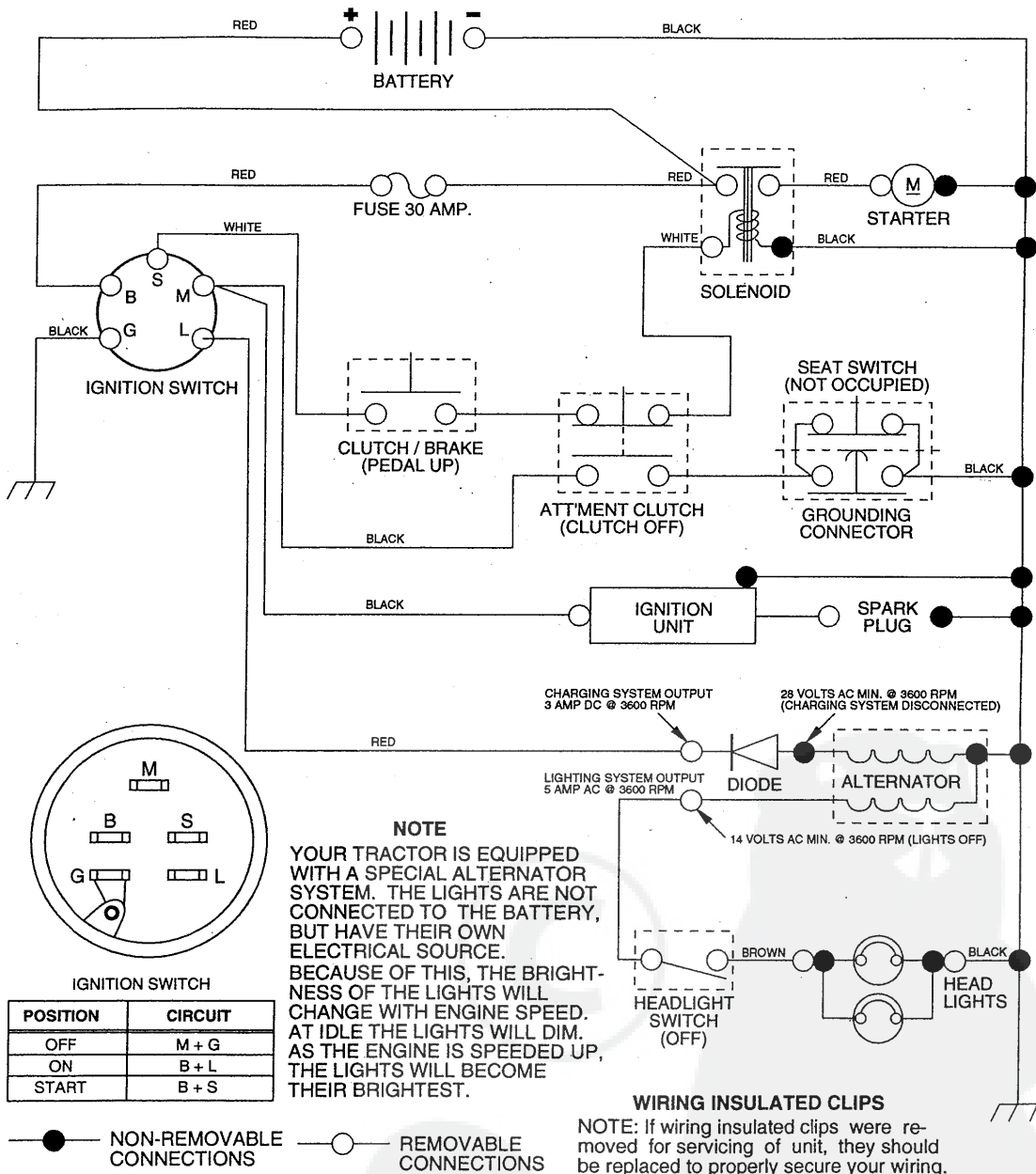
KEY NO.	PART NO.	DESCRIPTION
1	136973	Wire Asm Inner W/plunger 17 32
2	122507X	Shaft Asm Lift 9 680
3	105767X	Pin Groove 1 500 Zinc
4	12000002	E Ring #5133-62
5	19211621	Washer PLTD 21/32 X 1 X 21ga
6	120183X	Bearing Nylon Blk 629 Id
7	109413X	Grip Handle Bicycle Matte Blk
8	124385X	Button Plunger Yellow
10	122512X	Spring Cprsn 3 750 Oiled
11	134619	Link Lift LH Fixed Length
12	135388	Link Lift RH Fixed Length
13	4939M	Retainer Spring
14	135563	Pin Roll SLT 5/16 X 1 25 Blk O
15	127218	Link Front
16	73350800	Nut Jam Hex 1/2-13 Unc

KEY NO.	PART NO.	DESCRIPTION
17	130171	Trunnion Blk Zinc
18	73800800	Nut Lock W/wsh 1/2-13unc
19	130832	Arm Suspension Rear
20	110810X	Trunnion Dp Stop Dbl Thds PLT
21	19151216	Washer 15/32 X 3/4 X 16 Ga
22	12000037	Ring Klip #t5304-37
23	110807X	Nut Special
24	19131016	Washer 13/32 X 5/8 X 16 Ga
25	2876H	Spring 2-1/8"
26	76020308	Pin Cotter 3/32 X 1/2
27	126971X	Rod Adj Lift Zinc 7 49 Wrk Lg
28	73350600	Nut Hex Jam 3/8-16 Unc
29	138057	Knob Inf 3/8-16 Unc Blk W/sym

NOTE: All component dimensions given in U.S. inches
1 inch = 25.4 mm

12.5 HP 42" TRACTOR -- MODEL NUMBER CT12542C

SCHEMATIC

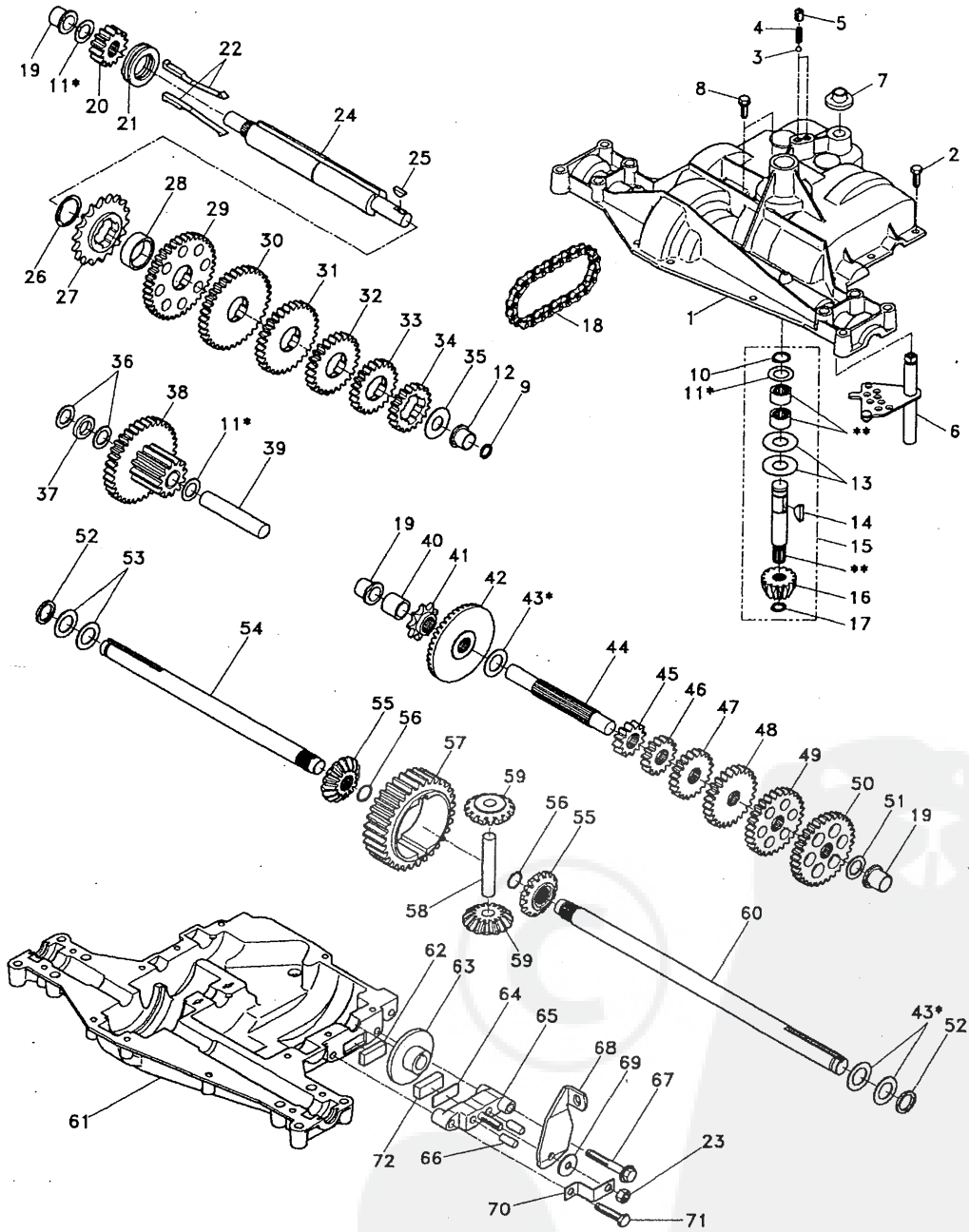


REPAIR PARTS

12.5 HP 42" TRACTOR - - MODEL NUMBER CT12542C

TRANSAXLE DANA - MODEL NUMBER 4360-48

TRANSAXLE



REPAIR PARTS

12.5 HP 42" TRACTOR - - MODEL NUMBER CT12542C

TRANSAXLE DANA - MODEL NUMBER 4360-48

TRANSAXLE

KEY PART NO. NO.	DESCRIPTION	KEY PART NO. NO.	DESCRIPTION
1 138248	Housing, Upper	41 105928X	Sprocket, 9 Teeth
2 2274J	Screw, Self-Tapping, Large 1/4-20 x .734	42 110084X	Gear, Bevel, 42 Teeth
3 134400	Ball, Detent	43 134394	* Assembly, Kit, Shim .750 Shaft
4 105904X	Spring, Detent	44 120473X	Shaft, Drive
5 105905X	Screw, Set	45 105933X	Gear, Spur, 12 Teeth
6 138235	Kit, Shifter Assembly	46 106151X	Gear, Spur, 15 Teeth
7 134399	Boot, Shifter	47 120407X	Gear, Spur, 20 Teeth
8 134791	Screw, Tapping w/Sealer	48 106589X	Gear, Spur, 25 Teeth
9 138241	Square Ring	49 120408X	Gear, Spur, 28 Teeth
10 2267J	Ring, Retaining	50 105937X	Gear, Spur, 31 Teeth
11 134793	* Assembly, Kit, Shim .625 Shaft	51 2226J	Washer, Plain .632 x 1.00 x .060
12 138240	Bearing, Flange	52 134401	Washer, Neoprene
13 120415X	Washer, Plain .632 x 1.38 x .046	53 2264J	Washer, Plain .758 x 1.25 x .031
14 2257J	Key, Woodruff, #9	54 120474X	Axle, L.H.
15 138234	Assembly, Kit, Input Shaft	55 110081X	Gear, Miter, 15 Teeth
16 110078X	Pinion, Bevel, 14 Teeth	56 105941X	Ring, Retaining
17 105909X	Ring, Retaining	57 110071X	Gear, Spur, 32 Teeth
18 105910X	Chain, 24 Pitches	58 120952X	Shaft, Cross
19 105911X	Bearing, Flange	59 110082X	Gear, Miter, 15 Teeth
20 138242	Gear, Spur, 14 Teeth	60 120475X	Axle, R.H.
21 138246	Collar, Clutch	61 138247	Housing, Lower
22 138236	Assembly, Kit, Clutch Keys	62 120961X	Puck, Friction
23 73810500	Locknut 5/16-24	63 7294J	Disc, Brake
24 138243	Shaft, Intermediate	64 108989X	Spacer
25 2244J	Key, Woodruff, #61	65 120953X	Jaw, Brake
26 105916X	Ring, Retaining	66 120954X	Pin, Dowel
27 120470X	Sprocket, 18 Teeth	67 134799	Screw, Self-Tapping, Large 5/16-18 x 2.25
28 110070X	Spacer	68 138244	Lever, Actuating
29 108977X	Gear, Spur, 37 Teeth	69 108996X	Washer, Plain .321 x 1.00 x .055
30 109254X	Gear, Spur, 35 Teeth	70 120956X	Bracket, Anti-Rotation
31 120405X	Gear, Spur, 30 Teeth	71 106596X	Screw, Self-Tapping, Large 5/16-18 x 1.44
32 108980X	Gear, Spur, 25 Teeth	72 120951X	Puck, Friction
33 120406X	Gear, Spur, 22 Teeth	73 120416X	Grease
34 134796	Gear, Spur, 19 Teeth		
35 105925X	Washer, Plain .640 x 1.37 x .061		
36 2232J	Washer, Plain .632 x 1.00 x .026		
37 108978X	Spacer .630 x 1.00 x .169		
38 110079X	Assembly, Gear, Combination of 12 Teeth and 35 Teeth		
39 124639X	Shaft, Idler		
40 120472X	Spacer .635 x .875 x .755		

* Use in combinations to maintain proper clearances

** Order Key No. 15

NOTE: All component dimensions given in U.S. inches
1 inch = 25.4 mm

LIMITED WARRANTY

The Manufacturer warrants to the original consumer purchaser that this product as manufactured is free from defects in materials and workmanship. For a period of two (2) years from date of purchase by the original consumer purchaser, we will repair or replace, at our option, without charge for parts or labor incurred in replacing parts, any part which we find to be defective due to materials or workmanship. This Warranty is subject to the following limitations and exclusions.

1. This warranty does not apply to the engine, transaxle/transmission components, battery (except as noted below) or components parts thereof. Please refer to the applicable manufacturer's warranty on these items.
2. Transportation charges for the movement of any power equipment unit or attachment are the responsibility of the purchaser. Transportation charges for any parts submitted for replacement under this warranty must be paid by the purchaser unless such return is requested by American Yard Products, Inc.
3. Battery Warranty: On products equipped with a Battery, we will replace, without charge to you, any battery which we find to be defective in manufacture, during the first ninety (90) days of ownership. After ninety (90) days, we will exchange the Battery, charging you 1/12 of the price of a new Battery for each full month from the date of the original sale. Battery must be maintained in accordance with the instructions furnished.
4. The Warranty period for any products used for rental or commercial purposes is limited to 90 days from the date of original purchase.
5. This Warranty applies only to products which have been properly assembled, adjusted, operated, and maintained in accordance with the instructions furnished. This Warranty does not apply to any product which has been subjected to alteration, misuse, abuse, improper assembly or installation, delivery damage, or to normal wear of the product.
6. Exclusions: Excluded from this Warranty are belts, blades, blade adapters, normal wear, normal adjustments, standard hardware and normal maintenance.
7. In the event you have a claim under this Warranty, you must return the product to an authorized service dealer.

Should you have any unanswered questions concerning this Warranty, please contact:

American Yard Products, Inc.
Service Department
P.O. Box 1687
Orangeburg, SC 29116 USA

In Canada contact:
AYP Canada, Inc.
1040 Jayson Court
Mississauga, Ontario
L4W 2V5

giving the model number, serial number and date of purchase of your product and the name and address of the authorized dealer from whom it was purchased.

THIS WARRANTY DOES NOT APPLY TO INCIDENTAL OR CONSEQUENTIAL DAMAGES AND ANY IMPLIED WARRANTIES ARE LIMITED TO THE SAME TIME PERIODS STATED HEREIN FOR OUR EXPRESSED WARRANTIES. Some areas do not allow the limitation of consequential damages or limitations of how long an implied Warranty may last, so the above limitations or exclusions may not apply to you. This Warranty gives you specific legal rights, and you may have other rights which vary from locale to locale.

This is a limited Warranty within the meaning of that term as defined in the Magnuson-Moss Act of 1975.

LIMITED WARRANTY

DANA CORPORATION Spicer-Off-Highway Axle Division Fredericktown, OH 43019

Dana Corporation, Spicer-Off-Highway Axle Division, will at its options, replace or repair without charge to the original purchaser for materials or labor, any part or parts manufactured by it and found upon examination to be DEFECTIVE IN MATERIAL AND OR WORKMANSHIP, if received for examination within TWO YEARS* from the date of original purchase.

All transportation charges on and damage or loss incurred in connection with the transportation of parts submitted for replacement or repair under this LIMITED WARRANTY shall be borne by the purchaser.

The EXPRESSED WARRANTY contained herein shall not apply to any damage resulting from accident, abuse, or neglect. Nor will this LIMITED WARRANTY apply to damage resulting from failure to follow the manufacturer's instructions for operation and maintenance nor from improper selection of a particular application.

The foregoing EXPRESSED WARRANTY IS IN LIEU OF ALL OTHER EXPRESSED WARRANTIES. Dana Corporation, Spicer-Off-Highway Axle Division, neither assumes nor authorizes any other persons, natural or corporate, to assume for it any obligations or liability in connection with or with respect to any parts covered hereunder.

DANA CORPORATION, SPICER-OFF-HIGHWAY AXLE DIVISION, HEREBY DISCLAIMS ANY AND ALL IMPLIED WARRANTIES, INCLUDING, BUT NOT LIMITED TO WARRANTIES OF MERCHANTABILITY AND FITNESS FOR ANY PARTICULAR PURPOSE, TO THE EXTENT THAT SUCH DISCLAIMER IS NOT FORBIDDEN BY ANY APPLICABLE LAW. ANY IMPLIED WARRANTIES, INCLUDING BUT NOT LIMITED TO WARRANTIES OF MERCHANTABILITY AND FITNESS FOR ANY PARTICULAR PURPOSE WHICH DANA CORPORATION, SPICER-OFF-HIGHWAY AXLE DIVISION, IS SO FORBIDDEN TO DISCLAIM BY ANY APPLICABLE LAW, ARE LIMITED TO THE PERIODS OF THE EXPRESSED WARRANTY. DANA CORPORATION, SPICER-OFF-HIGHWAY AXLE DIVISION, SHALL IN NO EVENT BE LIABLE FOR ANY CONSEQUENTIAL, INCIDENTAL OR SPECIAL DAMAGES AND OR EXPENSES.

Some states do not allow limitations on warranties so the above limitation may not apply to you. This Warranty gives you specific legal rights, and you may also have other rights which vary from state to state.

This warranty does not cover transmission units used for commercial purposes.