

RPAIR PARTS

Lawn Rider

Model No. YE10L36B - 92

Yard Pro

134727 01.18.92
Printed in U.S.A.

HOW TO USE THIS MANUAL

This manual is designed to provide the customer with a means to identify the parts on his/her tractor when ordering repair parts. The illustrations may or may not represent the actual assemblies; therefore, it is not recommended to use this manual as a guide to assemble or disassemble the tractor. Some hardware and parts are drawn larger in order to more readily identify them.

Each tractor has its own model number.

The model number for your tractor can be found on the fender under the seat.

When ordering parts, always give the following information:

- Product - "Lawn Rider"
- Model Number - "YE10L36B"
- Part Number
- Part Description

TABLE OF CONTENTS

DASH	9
DECALS	22
ENGINE/THROTTLE	14
ELECTRICAL	4-5
FENDER/CHASSIS	7
FRONT AXLE	12
GROUND DRIVE	15
HOOD	6
MOWER LIFT LEVER	17
MOWER DECK	18-19
BRAKE/REAR MOWER LIFT ASSEMBLY	13
SEAT	8
SECTOR GEAR/AXLE SUPPORT	11
STEERING WHEEL	10
TRANSAXLE	16, 20-21

LIMITED WARRANTY

The Manufacturer warrants to the original consumer purchaser that this product as manufactured is free from defects in materials and workmanship. For a period of two (2) years from date of purchase by the original consumer purchaser, we will repair or replace, at our option, without charge for parts or labor incurred in replacing parts, any part which we find to be defective due to materials or workmanship. This Warranty is subject to the following limitations and exclusions.

1. This warranty does not apply to the engine, transaxle/transmission components, battery (except as noted below) or components parts thereof. Please refer to the applicable manufacturer's warranty on these items.
2. Transportation charges for the movement of any power equipment unit or attachment are the responsibility of the purchaser. Transportation charges for any parts submitted for replacement under this warranty must be paid by the purchaser unless such return is requested by American Yard Products, Inc.
3. Battery Warranty: On products equipped with a Battery, we will replace, without charge to you, any battery which we find to be defective in manufacture, during the first year of ownership. After one year, we will exchange the Battery, charging you 1/12 of the price of a new Battery for each full month after one (1) year from the date of the original sale. Battery must be maintained in accordance with the instructions furnished.
4. The Warranty period for any products used for rental or commercial purposes is limited to 90 days from the date of original purchase.
5. This Warranty applies only to products which have been properly assembled, adjusted, operated, and maintained in accordance with the instructions furnished. This Warranty does not apply to any product which has been subjected to alteration, misuse, abuse, improper assembly or installation, delivery damage, or to normal wear of the product.
6. Exclusions: Excluded from this Warranty are belts, blades, blade adapters, normal wear, normal adjustments, standard hardware and normal maintenance.
7. In the event you have a claim under this Warranty, you must return the product to an authorized service dealer.

Should you have any unanswered questions concerning this Warranty, please contact:

In U.S.A. contact:

American Yard Products, Inc.
Service Department
P.O. Box 370
McRae, GA 31055

In Canada contact:

AYP Canada, Inc.
1040 Jayson Court
Mississauga, Ontario
L4W 2V5

International contact:

American Yard Products, Inc.
Service Department
P.O. Box 1687
Orangeburg, SC 29116 USA

giving the model number, serial number and date of purchase of your product and the name and address of the authorized dealer from whom it was purchased.

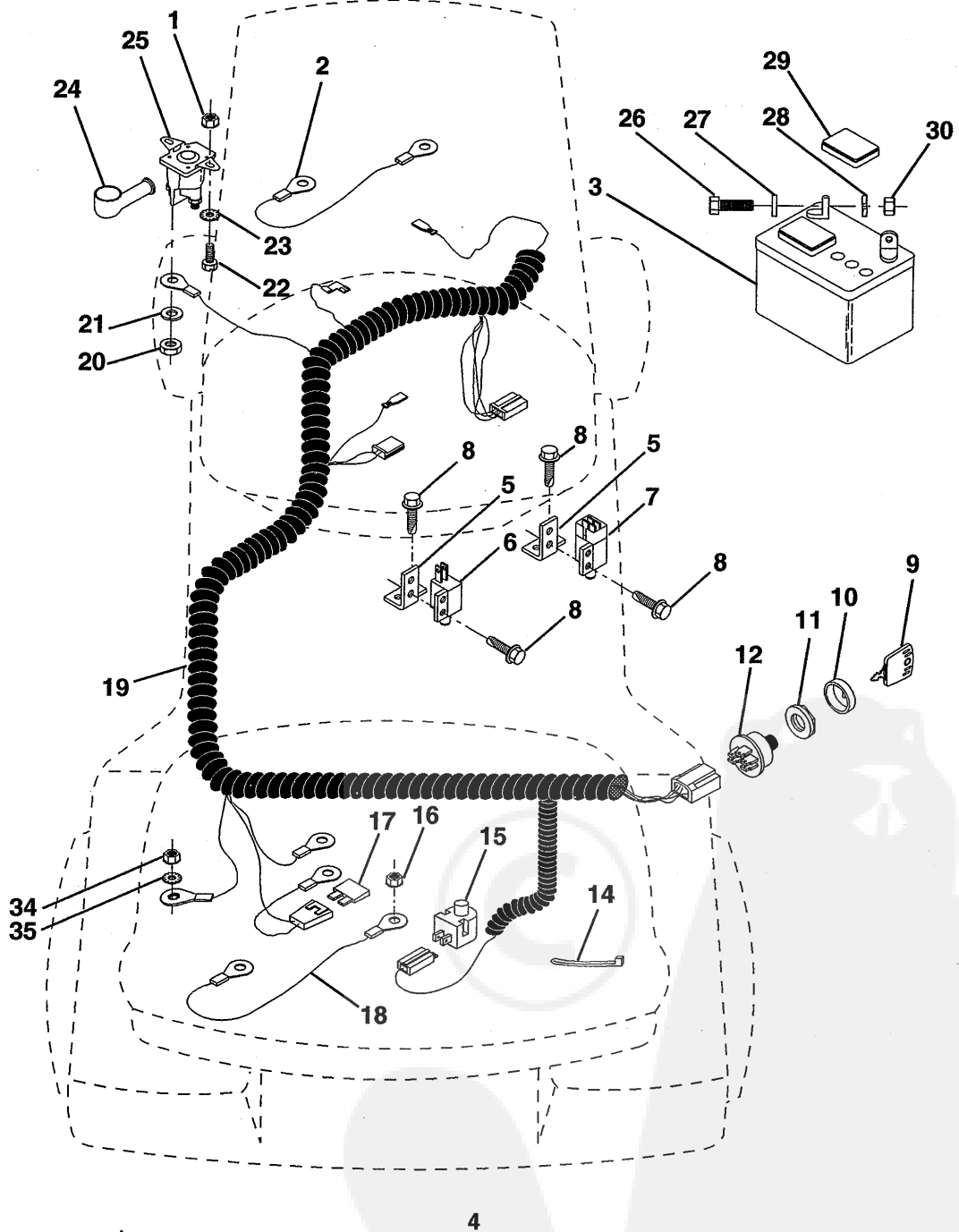
THIS WARRANTY DOES NOT APPLY TO INCIDENTAL OR CONSEQUENTIAL DAMAGES AND ANY IMPLIED WARRANTIES ARE LIMITED TO THE SAME TIME PERIODS STATED HEREIN FOR OUR EXPRESSED WARRANTIES. Some areas do not allow the limitation of consequential damages or limitations of how long an implied Warranty may last, so the above limitations or exclusions may not apply to you. This Warranty gives you specific legal rights, and you may have other rights which vary from locale to locale.

This is a limited Warranty within the meaning of that term as defined in the Magnuson-Moss Act of 1975.

REPAIR PARTS

10 HP 36" TRACTOR - - MODEL NUMBER YE10L36B

ELECTRICAL



REPAIR PARTS

10 HP 36" TRACTOR - - MODEL NUMBER YE10L36B

ELECTRICAL

KEY NO.	PART NO.	DESCRIPTION	KEY NO.	PART NO.	DESCRIPTION
1	73510400	Nut, Hex, Keps. 1/4-20	19	132223	Harness, Ignition
2	108423X	Assembly, Cable	20	73350400	Nut, Hex, Jam 1/4-20
3	133909	Battery	21	10090400	* Washer, Lock 1/4
5	108236X	Bracekt, Switch	22	74780408	Bolt, Hex, Fin.
6	104445X	Switch, Interlock			1/4-20 UNC x 1/2 Grade 5
7	109553X	Switch, Interlock	23	11050400	* Washer, Lock External Tooth 1/4
8	17021008	* Screw, Hex Head, Tapping #10-24 x 1/2	24	131563	Cover, Terminal
9	122147X	Key, Molded	25	109081X	Solenoid
10	123620X	Cover, Ignition Key	26	74760412	Bolt, Hex Head 1/4-20 UNC x 3/4
11	124211X	Nut, Ignition	27	19091016	* Washer 9/32 x 5/8 x 16
12	4406R	Switch, Ignition	28	10040400	* Washer, Lock 1/4
14	7192J	Tie, Cable	29	121264X	Cap, Battery
15	121305X	Switch, Plunger	30	73220400	* Nut, Hex, Fin. 1/4-20 UNC
16	73510500	* Nut, Hex, Keps 5/16-18	34	73510600	Nut, Keps, Hex 3/8-16
17	108824X	Fuse	35	11050600	Washer, Lock, External Tooth 3/8
18	128353	Assembly, Cable			

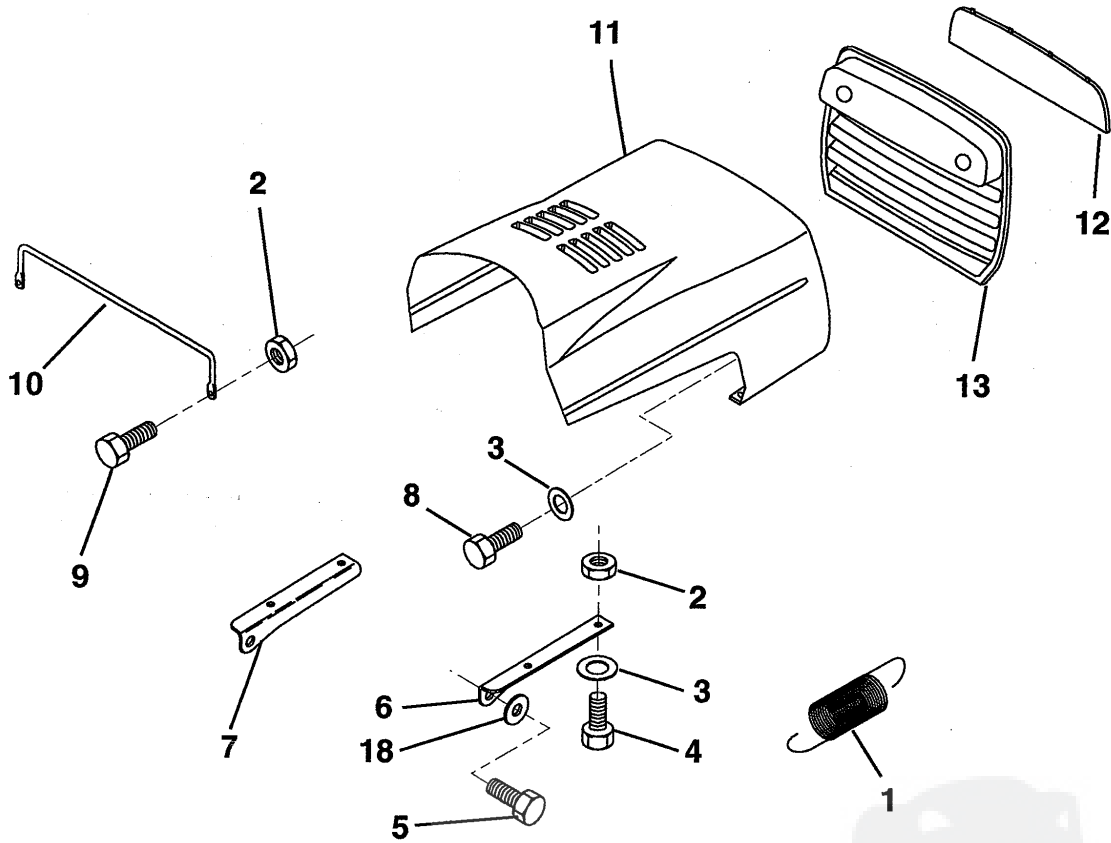
* STANDARD HARDWARE - - PURCHASE LOCALLY
NOTE: All component dimensions given in U.S. inches.
1 inch = 25.4 mm

HARDWARE SHOWN LARGER FOR EASIER IDENTIFICATION

REPAIR PARTS

10 HP 36" TRACTOR - - MODEL NUMBER YE10L36B

HOOD



KEY NO.	PART NO.	DESCRIPTION
1	124657X	Spring, Extension
2	73510400	* Nut, Hex, Keps 1/4-20 UNC
3	19091016	* Washer 9/32 x 5/8 x 16 Gauge
4	74780410	* Bolt, Hex, Fin 1/4-20 UNC x 5/8 Grade 5
5	126675X	Bolt, Shoulder
6	122549X	Bracket, Hood, R.H.
7	122548X	Bracket, Hood, L.H.
8	17411310	Screw, Hex, Fin #13-16 Hi-Lo x 5/8

KEY NO.	PART NO.	DESCRIPTION
9	74780412	* Bolt, Hex, Fin 1/4-20 x 3/4 Grade 5
10	123693X	Brace, Hood
11	132918X505	Hood
12	122035X	Lens
13	126268X	Grill
18	19111116	Washer 11/32 x 11/16 x 16 Ga.

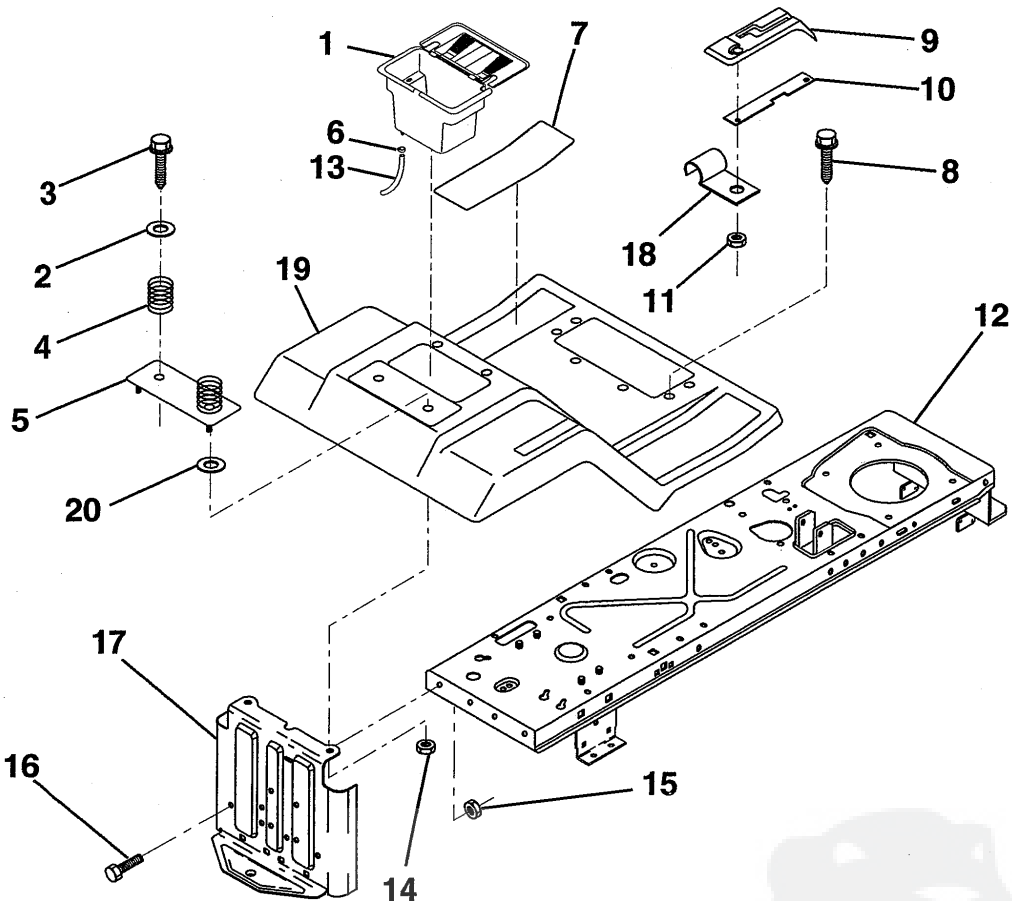
* STANDARD HARDWARE - - PURCHASE LOCALLY
 NOTE: All component dimensions given in U.S. inches.
 1 inch = 25.4 mm

HARDWARE SHOWN LARGER FOR EASIER IDENTIFICATION

REPAIR PARTS

10 HP 36" TRACTOR - - MODEL NUMBER YE10L36B

FENDER / CHASSIS



KEY NO.	PART NO.	DESCRIPTION
1	129965	Case, Battery
2	19132012	Washer 13/32 x 1-1/4 x 12 Gauge
3	17490612	Screw, Hex Washer Head, Thd. Roll. 3/8-16 x 3/4
4	124181X	Spring, Compression, Seat
5	127115X505	Plate, Battery
6	109596X	Clamp, Hose
7	124144X	Pad, Footrest
8	17490512	Screw, Hex Washer Head, Thd. Roll. 5/16-18 x 3/4
9	126993X	Console, Shift Control
10	124602X	Bar, Shift Lock
11	124346X	Nut, Self-Threading 3/16

KEY NO.	PART NO.	DESCRIPTION
12	131880	Assembly, Frame
13	105687X	Tube, Battery Drain
14	73510400	Nut, Hex, Keps 1/4-20
15	73680500	* Nut, Crownlock 5/16-18
16	74760512	* Bolt, Hex 5/16-18 UNC x 3/4
17	127880	Drawbar
18	126470X	Clip, Insulated
19	128083X505	Fender/Footrest
20	19091413	Washer 9/32 x 7/8 x 13 Gauge

* STANDARD HARDWARE - - PURCHASE LOCALLY

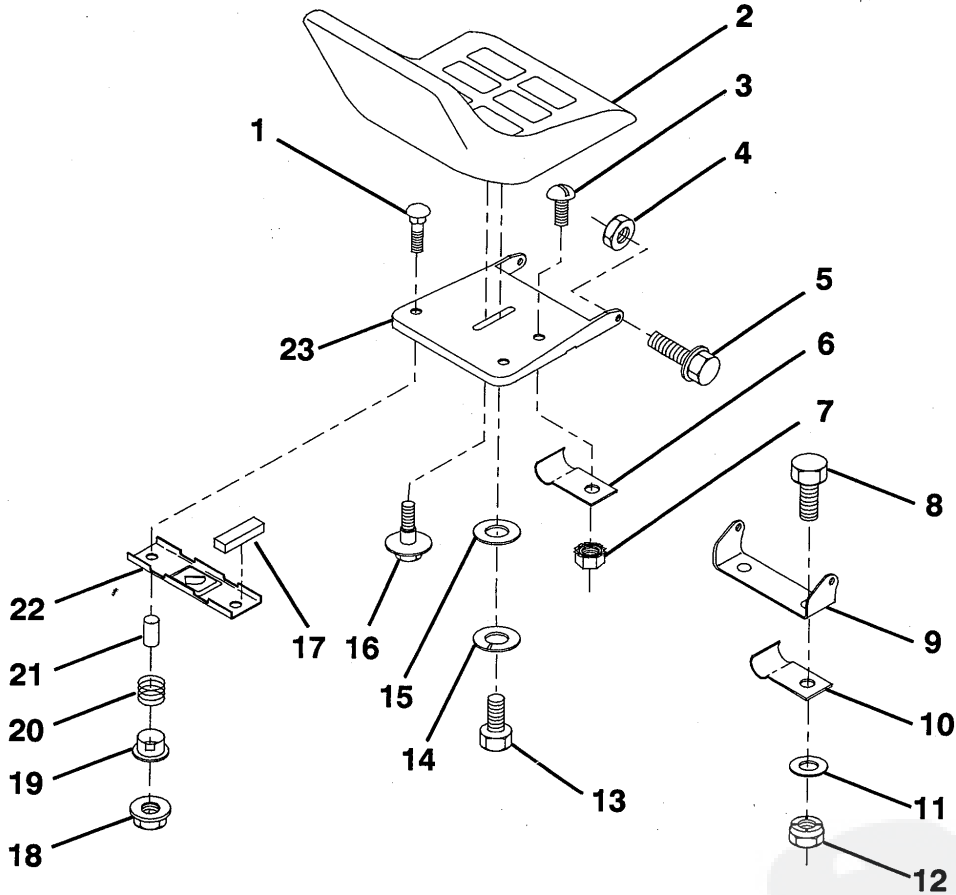
NOTE: All component dimensions given in U.S. inches.
1 inch = 25.4 mm

HARDWARE SHOWN LARGER FOR EASIER IDENTIFICATION

REPAIR PARTS

10 HP 36" TRACTOR - - MODEL NUMBER YE10L36B

SEAT



KEY NO.	PART NO.	DESCRIPTION
1	72050411	Bolt, Carriage 1/4-20 x 1-3/8
2	134647	Seat
3	74641008	*Screw, Slotted Pan Head #10-32 x 1/2
4	73680500	*Nut, Crownlock 5/16-18
5	105529X	Bolt, Shoulder 5/16-18 UNC
6	4171R	Clip, Insulated
7	73951000	Nut, Keps #10-32 UNF
8	74760612	*Bolt, Hex, Fin 3/8-16 UNC x 3/4
9	126656X	Bracket, Pivot, Seat
10	126471X	Clip, Insulated
11	19133210	Washer 13/32 x 2 x 10 Gauge
12	73680600	*Nut, Crownlock 3/8-16 UNC

KEY NO.	PART NO.	DESCRIPTION
13	74780814	Bolt, Fin Hex 1/2 - 13 x 7/8 Gr. 5
14	10040800	Washer Lock Hvy HLCL Spr. 1/2
15	19171912	Washer 17/32 x 13/16 x 12 Gauge
16	127018X	Bolt, Shoulder
17	121251X	Strip, Foam
18	123976X	Locknut, Hex, Large, Flange
19	121248X	Bushing, Snap
20	121250X	Spring, Compression
21	121249X	Spacer, Split, Large .28 Id. x .88
22	121246X	Bracket, Switch, Mounting
23	131451	Pan, Seat

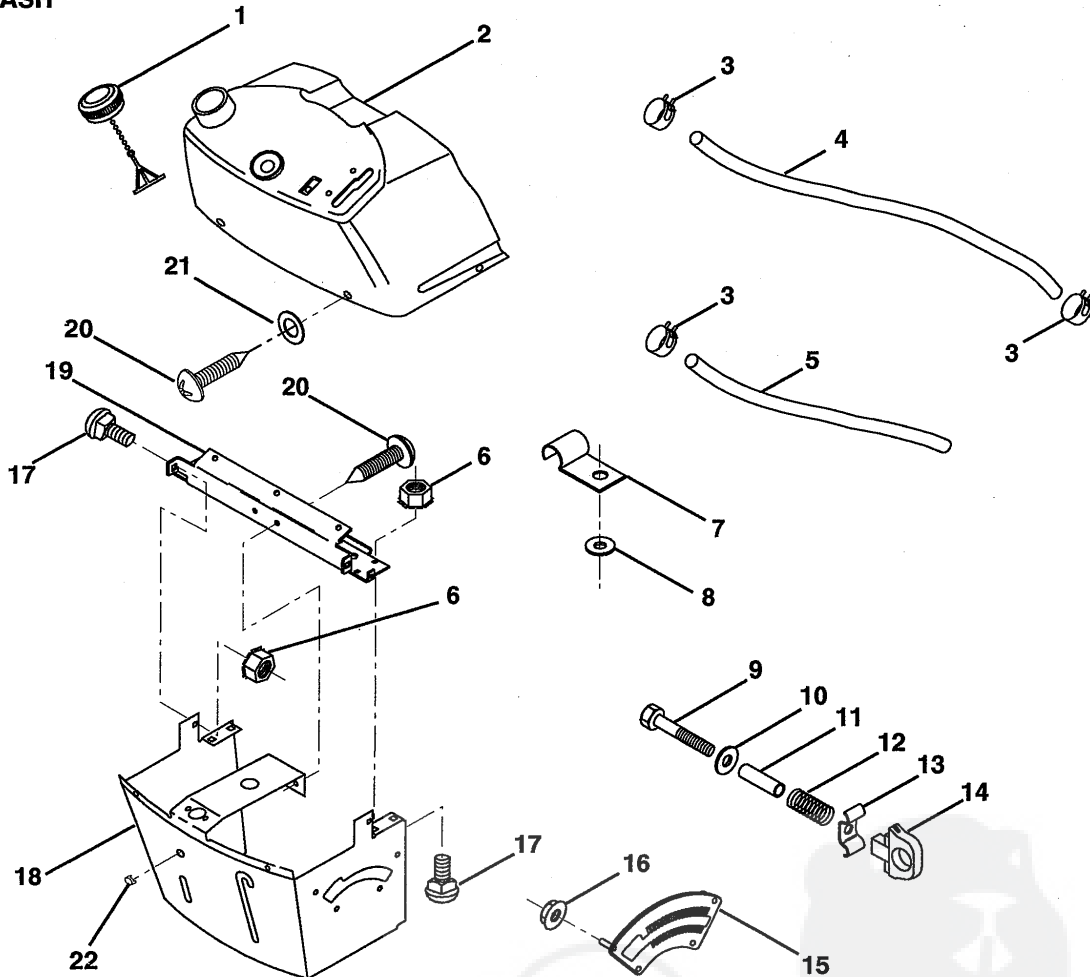
* STANDARD HARDWARE - - PURCHASE LOCALLY
 NOTE: All component dimensions given in U.S. inches.
 1 inch = 25.4 mm

HARDWARE SHOWN LARGER FOR EASIER IDENTIFICATION

REPAIR PARTS

10 HP 36" TRACTOR - - MODEL NUMBER YE10L36B

DASH



KEY NO.	PART NO.	DESCRIPTION
1	122015X	Cap, Fuel
2	130913	Assembly, Dash & Fuel Tank
3	123487X	Clamp, Hose
4	8544R	Line, Fuel
5	8548R	Line, Fuel
6	73510400	* Nut, Hex, Keps 1/4-20
7	2751R	Clip, Fuel Line
8	19091216	* Washer 9/32 x 3/4 x 16 Gauge
9	74760428	Bolt, Hex, Fin. 1/4-20 x 1-3/4
10	19091413	Washer 11/32 x 11/16 x 16 Gauge
11	121249X	Spacer, Split
12	3720R	Spring

KEY NO.	PART NO.	DESCRIPTION
13	126450X	Clip, Height Adjustment
14	126115X	Knob, Height Stop
15	122023X	Adjustment, Quadrant Height
16	124346X	Nut, Self-Threading 3/16-18
17	72110404	* Bolt, Carriage 1/4-20 x 1/2 Grade 5
18	130745	Support Assembly, Dash
19	134744	Brace, Cross
20	18000408	Screw, Self-Tapping 1/4-20 x 1/2
21	19090816	Washer 9/32 x 1/2 x 16 Gauge
22	134014	Plug, Dome

* STANDARD HARDWARE - - PURCHASE LOCALLY

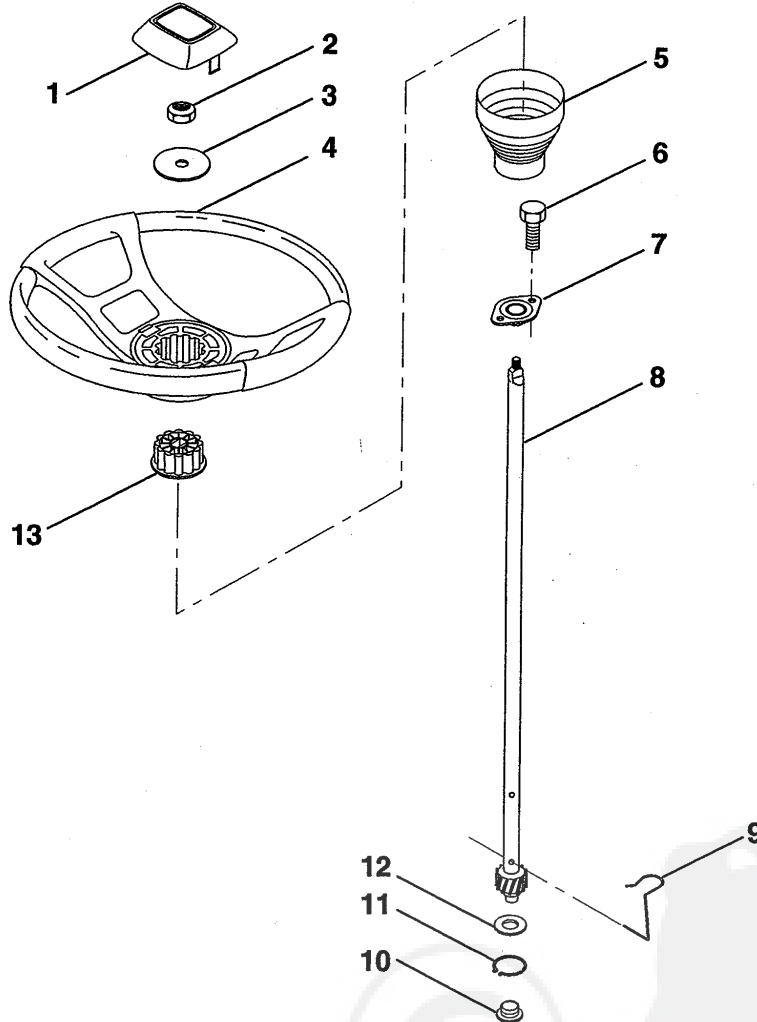
NOTE: All component dimensions given in U.S. inches.
1 inch = 25.4 mm

HARDWARE SHOWN LARGER FOR EASIER IDENTIFICATION

REPAIR PARTS

10 HP 36" TRACTOR - - MODEL NUMBER YE10L36B

STEERING WHEEL



KEY NO.	PART NO.	DESCRIPTION
1	121584X	Insert, Steering Wheel
2	7810H	* Locknut 3/8-24 UNF
3	19133808	Washer 13/32 x 2-3/8 x 8 Ga.
4	121472X	Wheel, Steering
5	121897X	Sleeve, Steering
6	17431008	* Screw, Hex Self-Tapping #10-16 x 1/2
7	102803X	Bushing, Steering
8	123651X	Shaft, Steering

KEY NO.	PART NO.	DESCRIPTION
9	124210X	Clip, Steering
10	123438X	Bushing, Lower, Steering
11	12000045	Ring, Retaining
12	19211616	* Washer 21/32 x 1 x 16 Ga.
13	104820X	Adaptor, Steering Wheel

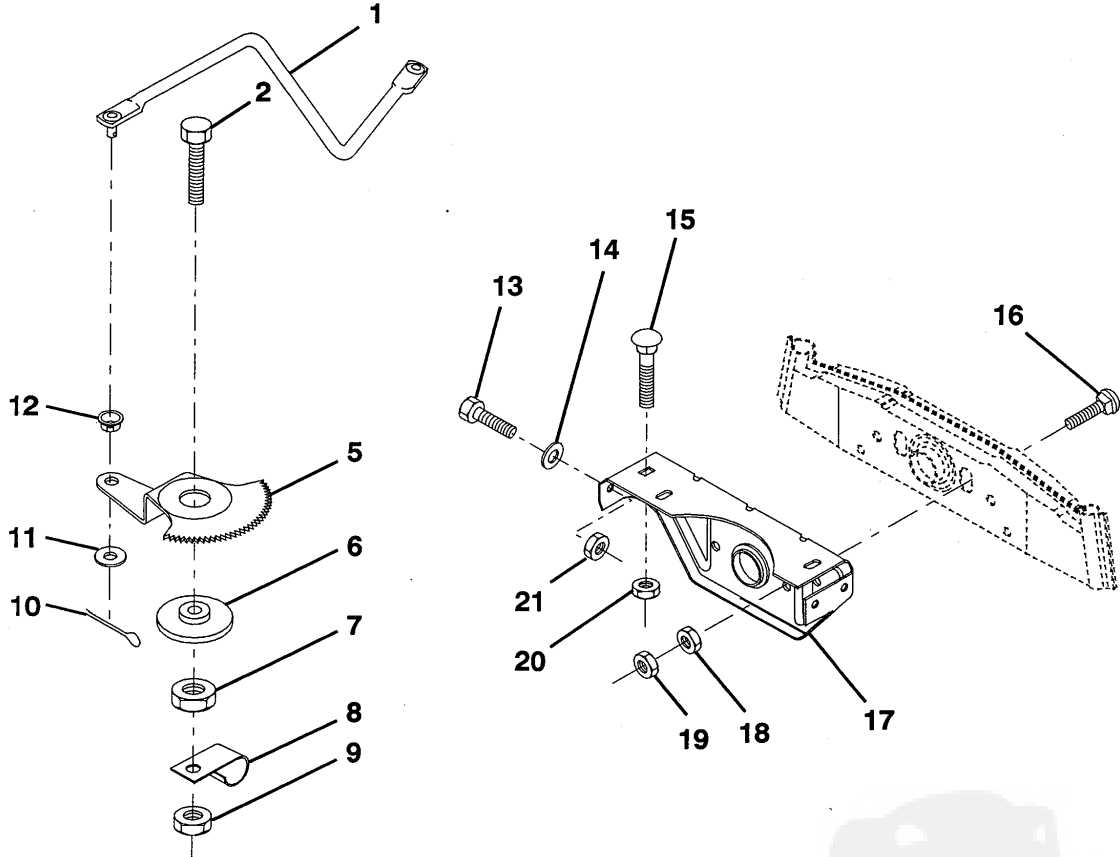
* STANDARD HARDWARE -- PURCHASE LOCALLY
 NOTE: All component dimensions given in U.S. inches.
 1 inch = 24.5 mm

HARDWARE OR EASIER IDENTIFICATION

REPAIR PARTS

10 HP 36" TRACTOR - - MODEL NUMBER YE10L36B

SECTOR GEAR / AXLE SUPPORT



KEY NO.	PART NO.	DESCRIPTION
1	132566	Link, Drag
2	74780828	Bolt, Hex, Fin. 1/2-13 x 1-3/4
5	121926X	Gear, Sector
6	121927X	Bushing
7	73030800	Nut, Heavy, Hex, Top Lock 1/2-13 UNC
8	126472X	Clip, Wire
9	73680800	Nut, Crownlock 1/2-13
10	76020412	* Pin, Cotter 1/8 x 3/4
11	19131316	* Washer 13/32 x 13/16 x 16 Ga.

KEY NO.	PART NO.	DESCRIPTION
12	126847X	Bushing
13	74760512	* Bolt, Hex Hd. 5/16-18 x 3/4
14	19111416	Washer 11/32 x 7/8 x 16 Ga.
15	72110606	* Bolt, Carriage 3/8-16 UNC x 3/4
16	72140622	Bolt, Carriage 3/8-16 x 2-3/4
17	121912X	Support, Front Axle
18	73220600	* Nut, Hex, Fin. 3/8-16 UNC
19	73930600	Nut, Centerlock 3/8-16 UNC
20	73680600	* Nut, Crownlock 3/8-16 UNC
21	73680500	* Nut, Crownlock 5/16-18

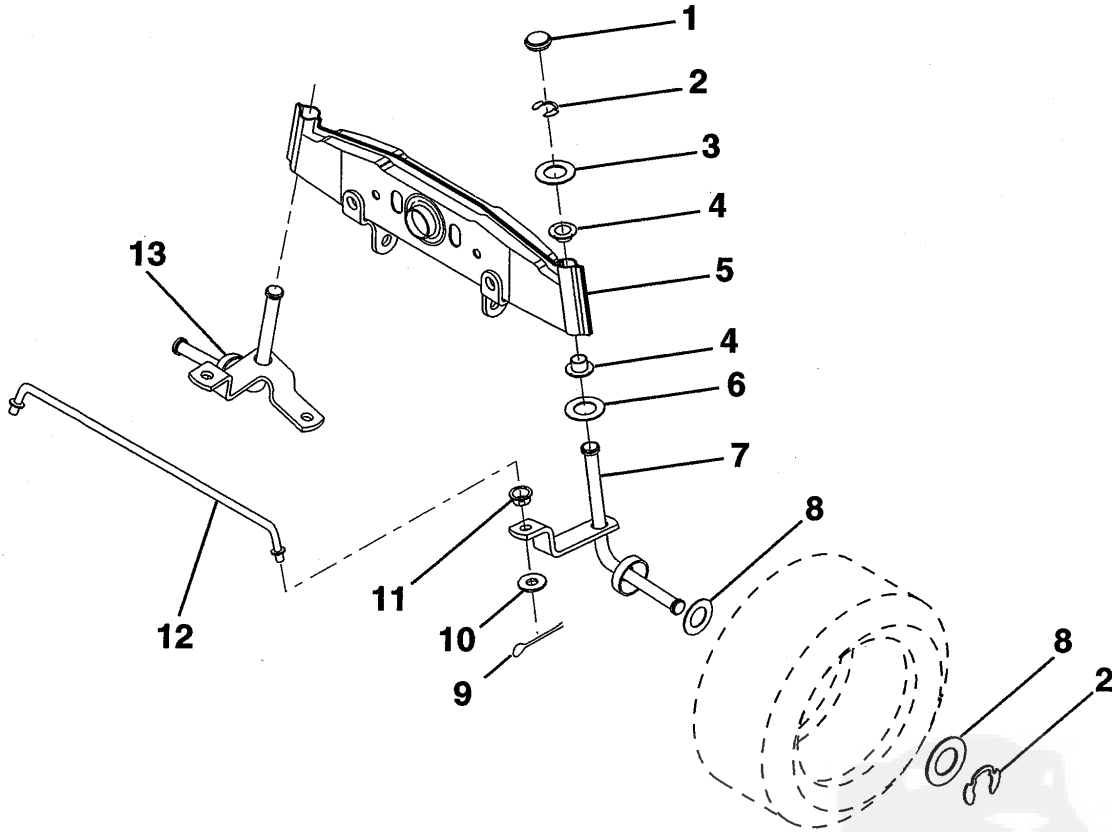
* STANDARD HARDWARE - - PURCHASE LOCALLY
 NOTE: All component dimensions given in U.S. inches.
 1 inch = 25.4 mm

HARDWARE OR EASIER IDENTIFICATION

REPAIR PARTS

10 HP 36" TRACTOR -- MODEL NUMBER YE10L36B

FRONT AXLE



KEY NO.	PART NO.	DESCRIPTION
1	121232X	Cap, Spindle
2	12000029	Ring, Klip
3	121748X	Washer 25/32 x 1-5/8 x 16 Gauge
4	121922X	Nyliner
5	121914X	Axle, Front
6	6266H	Bearing, Thrust
7	121919X	Spindle Assembly, R.H.
8	121749X	Washer 25/32 x 1-1/4 x 16 Gauge
9	76020412	* Pin, Cotter 1/8 x 3/4

KEY NO.	PART NO.	DESCRIPTION
10	19131316	* Washer 13/32 x 13/16 x 16 Gauge
11	126847X	Bushing
12	121924X	Rod, Tie
13	121916X	Spindle Assembly, L.H.

* STANDARD HARDWARE -- PURCHASE LOCALLY

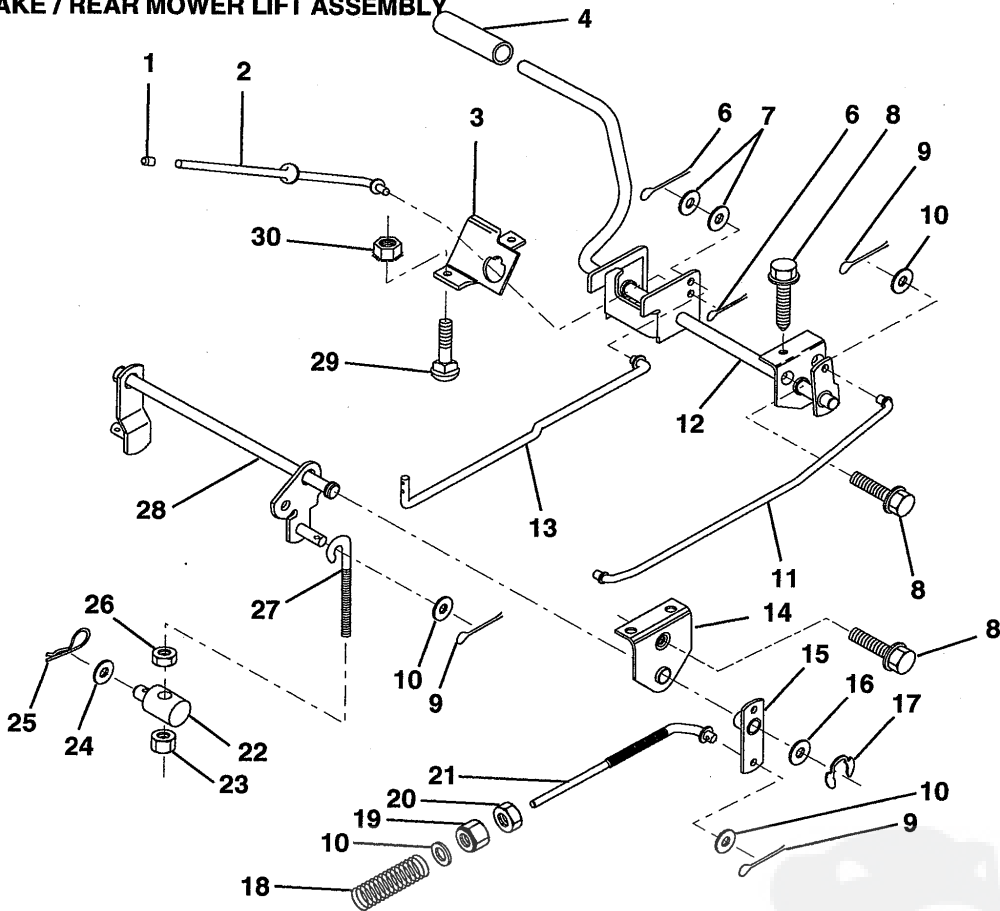
NOTE: All component dimensions given in U.S. inches
1 inch = 25.4 mm

HARDWARE SHOWN LARGER FOR EASIER IDENTIFICATION

REPAIR PARTS

10 HP 36" TRACTOR - - MODEL NUMBER YE10L36B

BRAKE / REAR MOWER LIFT ASSEMBLY



KEY NO.	PART NO.	DESCRIPTION
1	71673	Cap, Parking Brake
2	123436X	Rod, Parking Brake
3	123437X	Bracket, Parking Brake
4	8883R	Cover, Pedal
6	76020312	* Pin, Cotter 3/32 x 3/4
7	19131016	* Washer 13/32 x 5/8 x 16 Gauge
8	17490508	Screw, Hex, Thd. Roll. 5/16-18 x 1/2
9	76020412	* Pin, Cotter 1/8 x 3/4
10	19131316	* Washer 13/32 x 13/16 x 16 Gauge
11	131656	Rod, Front Brake
12	133483	Assembly, Clutch/Brake Pedal
13	123394X	Rod, Clutch
14	121978X	Bracket, Lift, Shaft
15	133332	Assembly, Brake, Pivot, Arm
16	19251816	Washer 25/32 x 1-1/8 x 16 Gauge
17	12000034	Ring, Klip

KEY NO.	PART NO.	DESCRIPTION
18	106888X	Spring, Brake Rod
19	73680600	Nut, Crownlock
20	73350600	* Nut, Hex, Jam 3/8-16 UNC
21	131460	Rod, Rear Brake
22	127378	Trunnion, Lift
23	73680600	Nut, Crownlock 3/8-16 UNC
24	19132012	Washer 13/32 x 1-1/4 x 12 Gauge
25	4921H	Spring, Retainer
26	73930600	* Nut, Centerlock 3/8-16 UNC
27	127369	Link, Threaded
28	127358	Assembly, Rear Mower Lift
29	72110506	* Bolt, Carriage 5/16-18 UNC x 3/4
30	73510500	* Nut, Keps 5/16-18 UNC

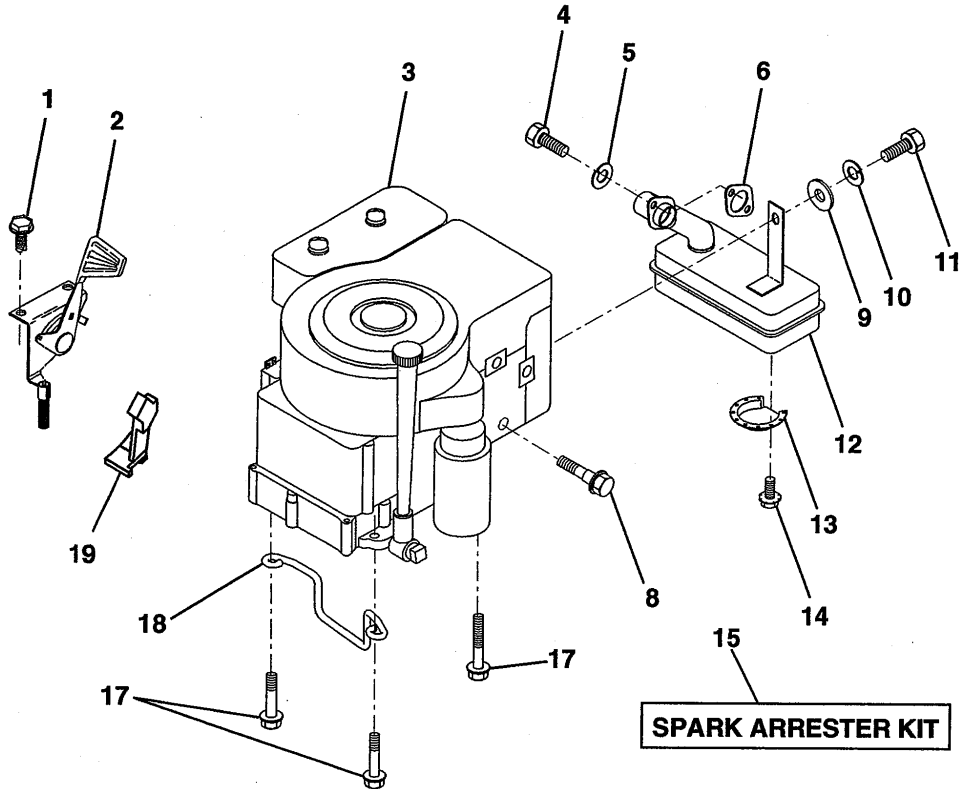
* STANDARD HARDWARE - - PURCHASE LOCALLY
 NOTE: All component dimensions given in U.S. inches
 1 inch = 25.4 mm

HARDWARE SHOWN LARGER FOR EASIER IDENTIFICATION

REPAIR PARTS

10 HP 36" TRACTOR - - MODEL NUMBER YE10L36B

ENGINE / THROTTLE



KEY PART NO. NO.

KEY PART NO. NO.	DESCRIPTION
1 17720408	Screw, Hex, Thread Cutting 1/4-20 x 1/2
2 132752	Control, Throttle
3 131995	Engine, Briggs and Stratton, 10 HP
4 71070512	Screw, Hex Head Cap 5/16-18 x 3/4
5 10040500	* Washer, Lock, Heavy Helical Spring 5/16
6 125593X	Gasket, Exhaust
8 121094X	Bolt, Shoulder 5/16 UNC
9 19101216	Washer 5/16 x 3/4 x 16 Gauge
10 10040400	* Washer, Lock, Heavy Helical Spring 1/4
11 74780420	* Bolt, Hex, Fin 1/4-20 UNC x 1-1/4
12 123676X	Muffler

KEY PART NO. NO.

KEY PART NO. NO.	DESCRIPTION
13 101326L	Deflector, Muffler
14 17030808	Screw, Hex, Spiderlock #8 x 1/2 ABTPS
15 121851X	Kit, Spark Arrester (Optional)
17 17490624	Screw, Hex Washer Head, Thd. Roll. 3/8-16 x 1-1/2
18 126636X	Keeper, Ground Drive Belt
19 127951	Stop, Throttle

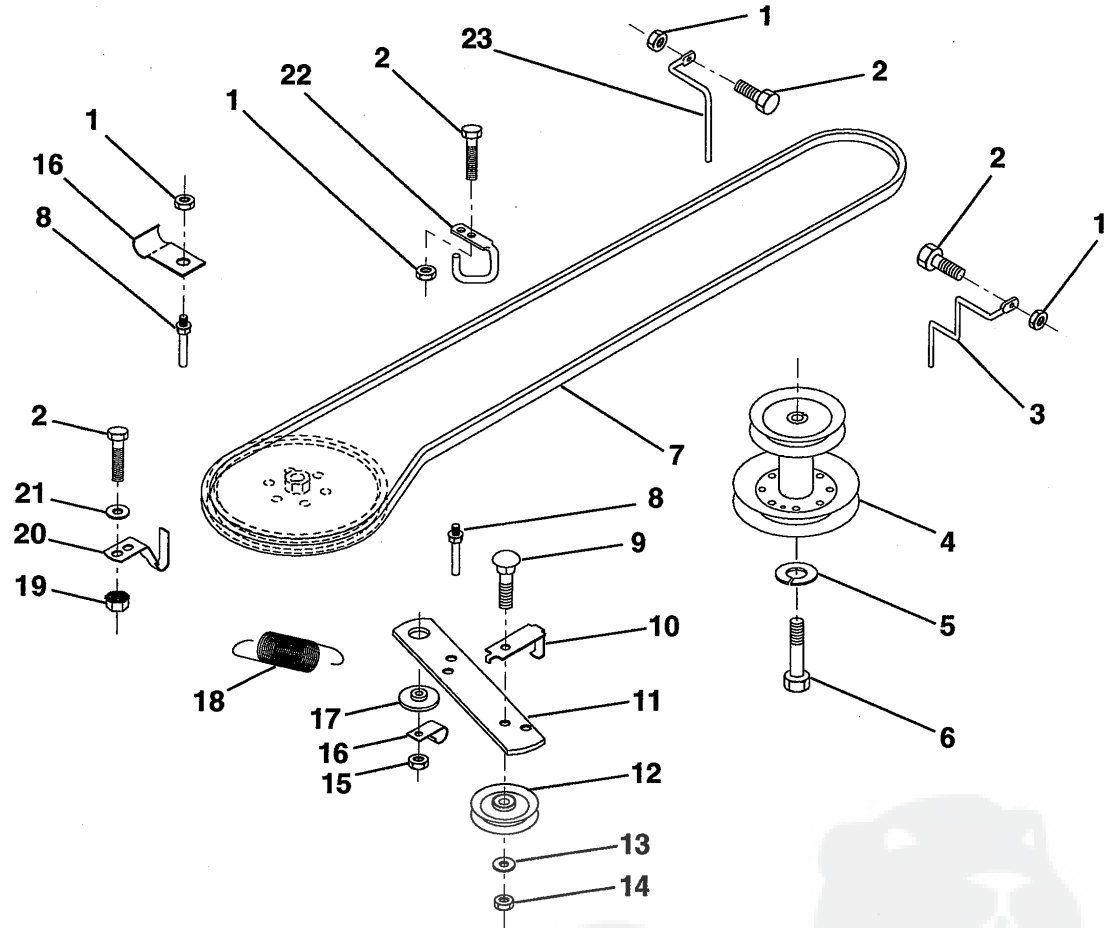
* STANDARD HARDWARE - - PURCHASE LOCALLY
 NOTE: All component dimensions given in U.S. inches
 1 inch = 25.4 mm

HARDWARE SHOWN LARGER FOR EASIER IDENTIFICATION

REPAIR PARTS

10 HP 36" TRACTOR - - MODEL NUMBER YE10L36B

GROUND DRIVE



KEY NO.	PART NO.	DESCRIPTION	KEY NO.	PART NO.	DESCRIPTION
1	73680500	* Nut, Crownlock 5/16-18	13	19131316	* Washer 13/32 x 13/16 x 16 Gauge
2	74760512	* Bolt, Hex 5/16-18 UNC x 3/4	14	73930600	Nut, Centerlock 3/8-16 UNC
3	131205	Keeper, Mower Drive Belt, Engine, R.H.	15	73680600	* Nut, Crownlock 3/8-16 UNC
4	134828	Pulley, Engine	16	126471X	Clip, Insulated
5	10040700	* Washer, Lock, Heavy Helical Spring 7/16	17	122052X	Spacer, Retainer
6	71170744	Bolt, Hex, 7/16-20 x 2-3/4 Grade 5	18	131459	Spring, Extension
7	124525X	Traction, V-Belt Drive	19	73510500	* Nut, Keps 5/16-18 UNC
8	123405X	Keeper, T/A Ground Drive Belt	20	123891X	Keeper, T/A Ground Drive Belt
9	72140612	* Bolt, Carriage 3/8-16 UNC x 1-1/2	21	19111016	* Washer 11/32 x 5/8 x 16 Gauge
10	123396X	Keeper, Ground Drive Belt, Idler	22	123404X	Keeper, Ground Drive Belt, Frame
11	123395X	Arm, Ground Drive Clutch	23	131204	Keeper, Mower Drive Belt, L.H.
12	4859J	Idler, Flat			

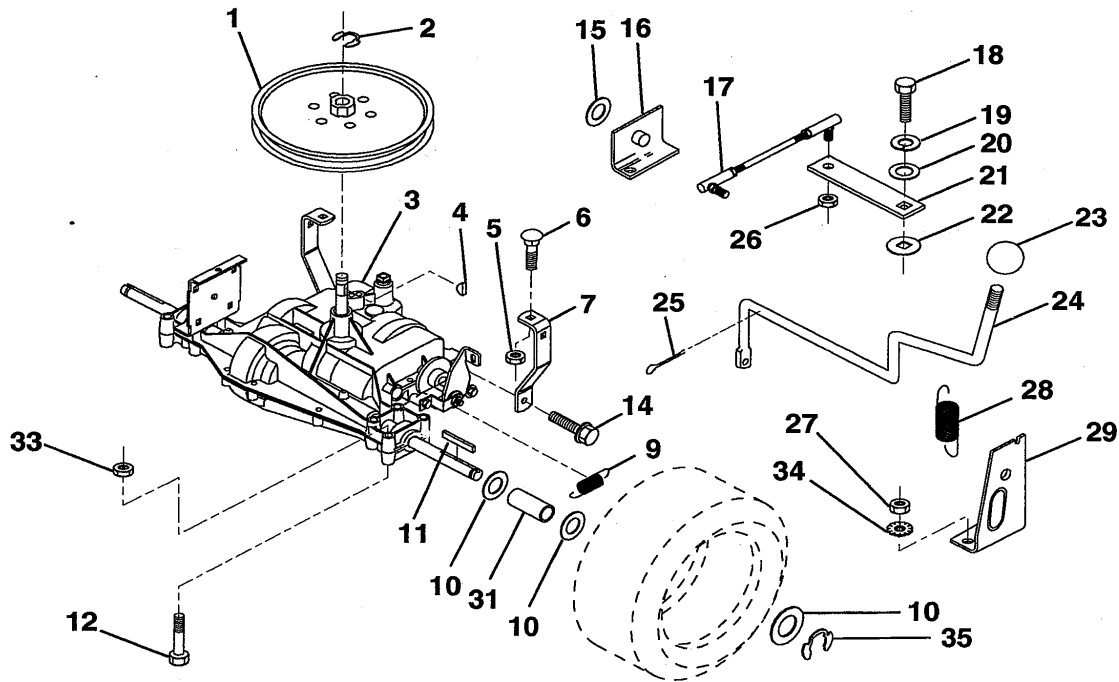
* STANDARD HARDWARE - - PURCHASE LOCALLY
 NOTE: All component dimensions given in U.S. inches
 1 inch = 25.4 mm

HARDWARE SHOWN LARGER FOR EASIER IDENTIFICATION

REPAIR PARTS

10 HP 36" TRACTOR -- MODEL NUMBER YE10L36B

TRANSAXLE



KEY NO.	PART NO.	DESCRIPTION	KEY NO.	PART NO.	DESCRIPTION
1	123385X	Pulley	19	10040400	* Washer, Lock 1/4
2	12000028	Ring, Retainer	20	19091210	Washer 9/32 x 3/4 x 10 Gauge
3	123383X	Transaxle Model Number 4360-15	21	123484X	Arm, Shift
4	2228M	* Key, Woodruff #9	22	105701X	Washer, Shift Plate
5	73680500	* Nut, Crownlock 5/16-18	23	106933X	Knob, Shift Control
6	72140506	* Bolt, Carriage 5/16-18 UNC x 3/4	24	128215	Handle, Rod
7	123378X	Strap, Torque	25	76020416	* Pin, Cotter 1/8 x 1
9	110422X	Spring, Brake	26	73810500	* Nut, Hex, Nylon 5/16-24 UNF
10	121749X	Washer 25/32 x 1-1/4 x 16 Gauge	27	73510500	* Nut, Keps 5/16-18
11	123583X	Key, Square	28	128085	Spring, Extension
12	74760644	Bolt Fin Hex 5/16-18 x 2-1/2	29	128084	Support, Handle, Shift, R.H.
14	17490512	Screw 5/16-18 x 3/4	31	123409X	Spacer, Split
15	19171616	Washer 17/32 x 16 Ga.	33	73680600	Nut, Crownlock 3/8 - 16 UNC
16	124600X	Support, Handle, Shift, L.H.	34	11050500	Washer, Lock, External Tooth 5/16
17	123632X	Link, Shift	35	12000001	E-Ring
18	71040412	Bolt, Hex, Fin. 1/4-28 UNF x 3/4 Grade 8			

* STANDARD HARDWARE -- PURCHASE LOCALLY

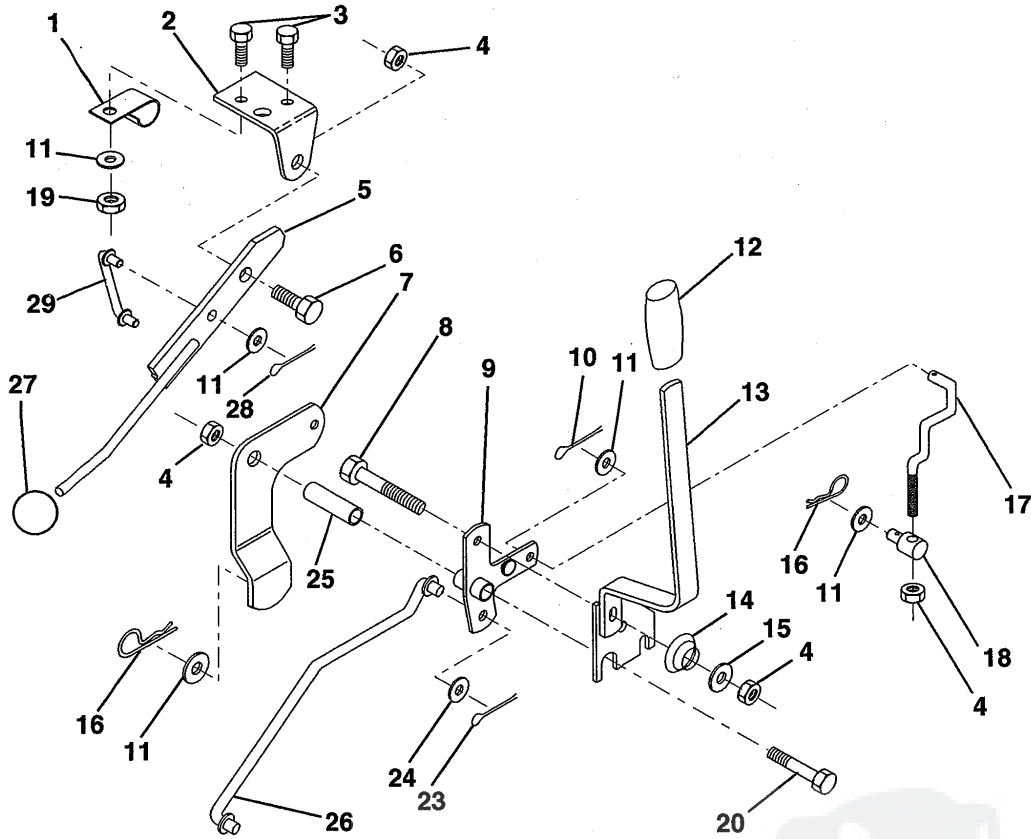
NOTE: All component dimensions given in U.S. inches
1 inch = 25.4 mm

HARDWARE SHOWN LARGER FOR EASIER IDENTIFICATION

REPAIR PARTS

10 HP 36" TRACTOR - - MODEL NUMBER YE10L36B

MOWER LIFT LEVER



KEY NO.	PART NO.	DESCRIPTION
1	126470X	Clip, Insulated
2	122018X	Bracket, Mower Clutch
3	74780408	Bolt, Hex, Fin 1/4-20 UNC x 1/2 Grade 5
4	73680600	* Nut, Crownlock 3/8-16 UNC
5	123417X	Assembly, Clutch Lever
6	106451X	Bolt, Shoulder
7	135371	Assembly, Mower Clutch Arm
8	74760636	* Bolt, Hex 3/8-16 UNC x 2-1/4
9	121930X	Assembly, Bellcrank, Lift
10	76020412	Pin, Cotter 1/8 x 3/4
11	19131316	* Washer 13/32 x 13/16 x 16 Gauge
12	131861	Sleeve, Handle
13	127028	Assembly, Lift Handle
14	123496X	Spring, Compression
15	19131212	Washer 13/32 x 3/4 x 12 Gauge
16	4921H	Retainer, Spring

KEY NO.	PART NO.	DESCRIPTION
17	127359	Link, Front Lift
18	133205	Trunnion, Threaded 3/8-16
19	73680400	Nut, Crownlock 1/4-20
20	74760644	* Bolt, Hex, Fin. 3/8-16 UNC x 2-3/4
23	76020416	* Pin, Cotter 1/8 x 1
24	19171616	* Washer 17/32 x 1 x 16 Gauge
25	121933X	Tube, Spacer
26	121934X	Rod, Mower Lift
27	106932X	Grip
28	76020312	* Pin, Cotter 3/32 x 3/4
29	131655	Link, Mower Clutch

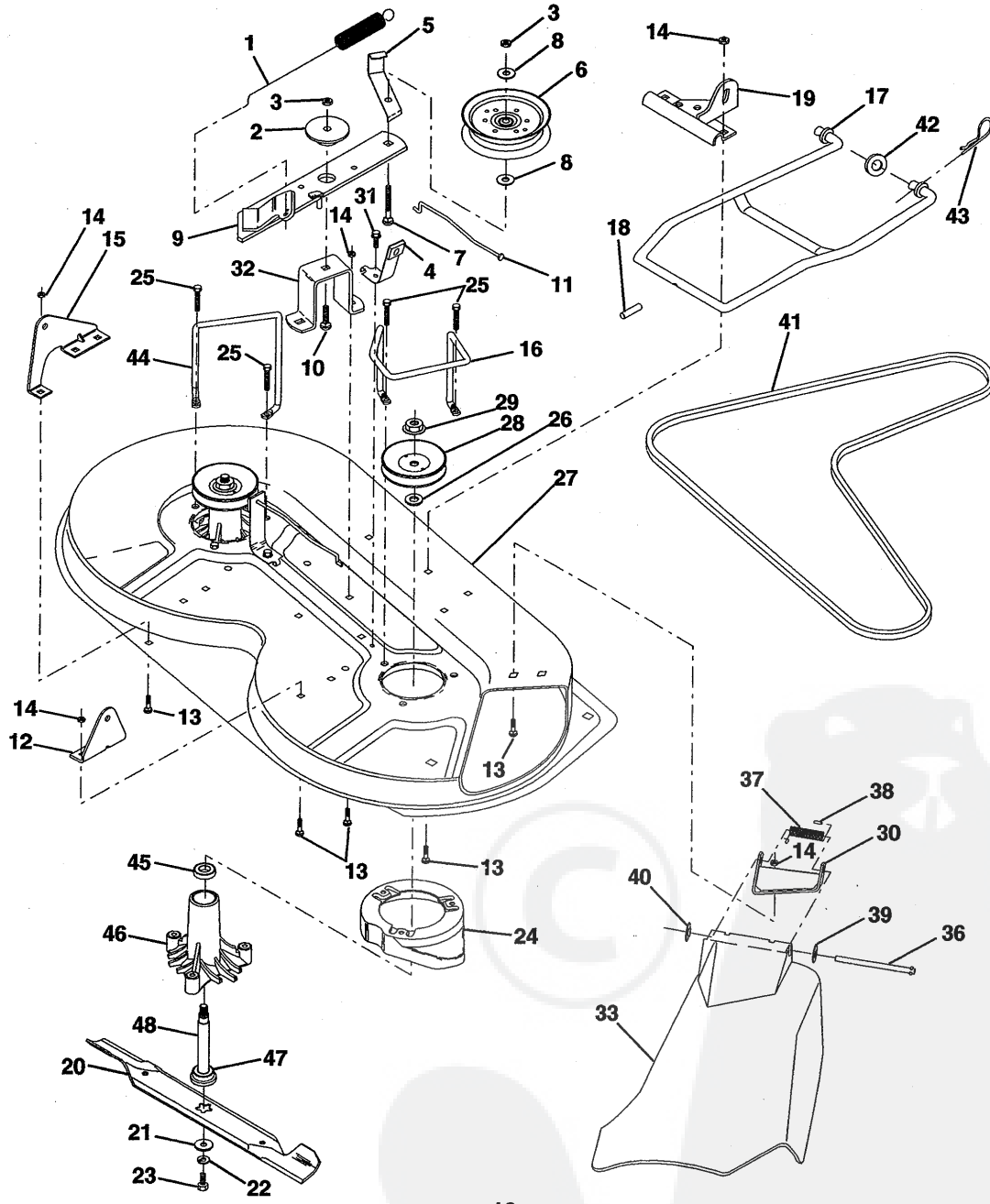
* STANDARD HARDWARE - - PURCHASE LOCALLY
 NOTE: All component dimensions given in U.S. inches
 1 inch = 25.4 mm

HARDWARE SHOWN LARGER FOR EASIER IDENTIFICATION

REPAIR PARTS

10 HP 36" TRACTOR -- MODEL NUMBER YE10L36B

MOWER DECK



REPAIR PARTS

10 HP 36" TRACTOR - - MODEL NUMBER YE10L36B

MOWER DECK

KEY NO.	PART NO.	DESCRIPTION	KEY NO.	PART NO.	DESCRIPTION
1	127743	Spring, Mower Clutch	27	129983	Housing, Mower
2	122052X	Spacer, Retainer	28	129207	Pulley, Mandrel
3	73680600	* Nut, Crownlock 3/8-16 UNC	29	73050900	Nut, Flangelock 9/16
4	130840	Assembly, Brake	30	126361X	Bracket, Deflector
5	131251	Guide, Belt Idler	31	17490508	Screw, Hex Washer Head, Thd. Roll. 5/16-18 x 1/2
6	121316X	Idler, Flat	32	122051X	Arm, Support Idler, Mower
7	72110616	Bolt, Carriage 3/8-16 x 2 Grade 5	33	131560	Shield, Deflector
8	19131410	Washer 13/32 x 7/8 x 10 Gauge	36	121980X	Rod, Hinge
9	127744	Assembly, Mower Idler Arm	37	123713X	Spring, Torsion Deflector
10	72110608	Bolt, Carriage 3/8-16 UNC x 1	38	105304X	Cap, Sleeve
11	130841	Rod, Brake	39	19111016	Washer 11/32 x 5/8 x 16 Gauge
12	127356	Bracket, Rear Lift, R.H.	40	110452X	Nut, Push
13	72140505	* Bolt, Carriage 5/16-18 UNC x 5/8	41	131264	V-Belt
14	73680500	* Nut, Crownlock 5/16-18	42	19171616	Washer 11/32 x 5/8 x 16 Gauge
15	127357	Bracket, Rear Lift, L.H.	43	3146R	Clip, Hairpin
16	130837	Keeper, R.H.	44	130836	Keeper, L.H.
17	128508	Stabilizer, Mower Link	45	110485X	Bearing
18	128511	Pin, Drive	46	128774	Housing, Mandrel, Vented
19	127380	Bracket, Stabilizer Link	47	129895	Bearing
20	127841	Blade	48	133172	Shaft, Mandrel (Includes Key #47)
21	129962	Washer, Hard	—	130794	Mandrel Assembly (Includes Key Numbers 22, 23, 26, 29 and 45-48)
22	10030600	* Washer, Lock, Heavy 3/8	—	134021	Deck Service Complete
23	850857	Bolt 3/8-24 x 1-1/4 Grade 8			
24	128961	Stripper			
25	78158	Bolt 5/16-18 x 1-1/4			
26	129963	Washer .150 Thick			

* STANDARD HARDWARE - - PURCHASE LOCALLY

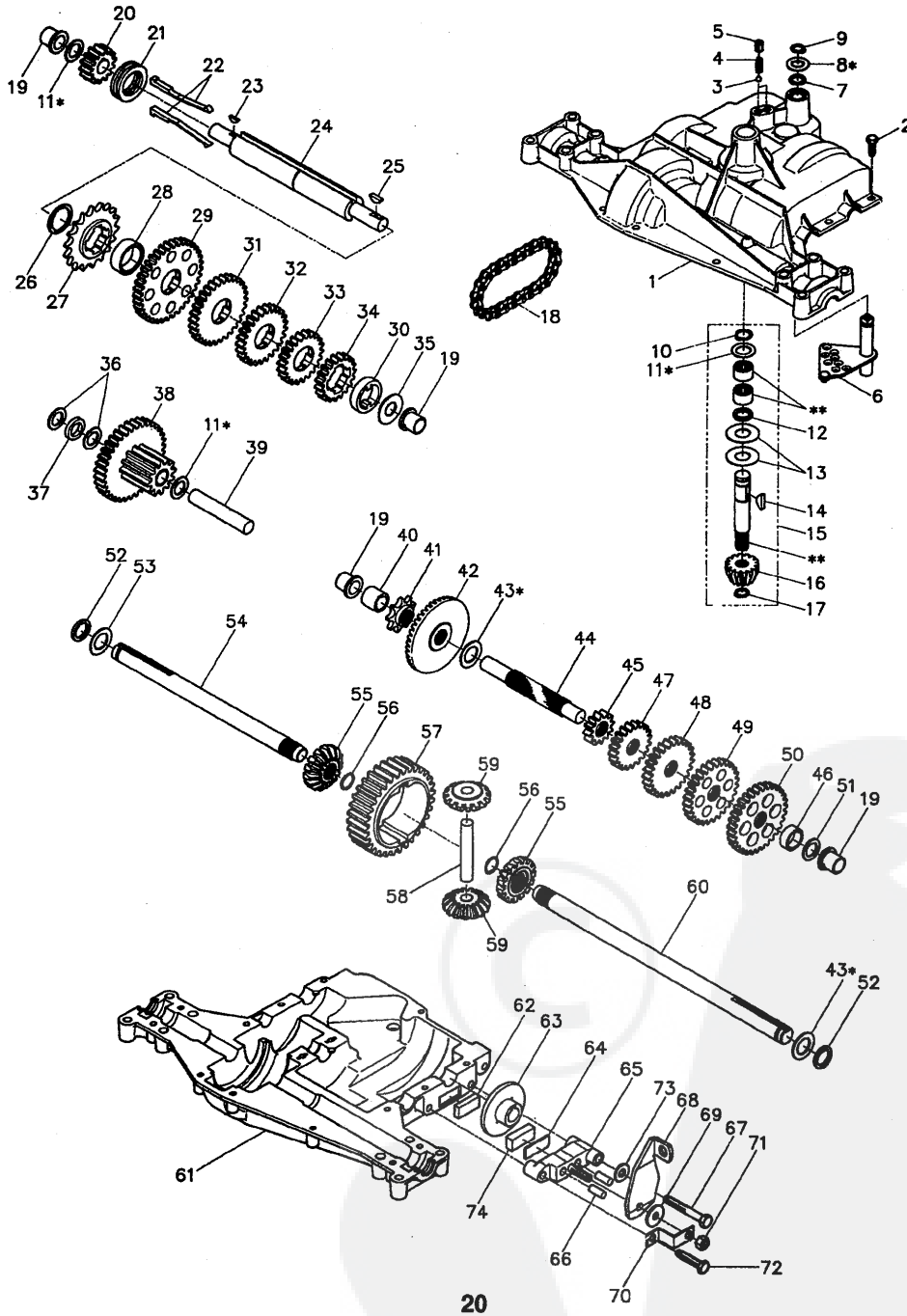
NOTE: All component dimensions given in U.S. inches
1 inch = 25.4 mm

HARDWARE SHOWN LARGER FOR EASIER IDENTIFICATION

REPAIR PARTS

10 HP 36" TRACTOR - - MODEL NUMBER YE10L36B

DANA TRANSAXLE - MODEL NUMBER 4360-15



REPAIR PARTS

10 HP 36" TRACTOR - - MODEL NUMBER YE10L36B

DANA TRANSAXLE - MODEL NUMBER 4360-15

KEY PART NO. NO.	DESCRIPTION	KEY PART NO. NO.	DESCRIPTION
1 3865	Housing, Upper	41 3645	Sprocket, 9 Teeth
2 1919	Screw, Tapping, Large 1/4-20 x .734	42 3853	Gear, Bevel, 42 Teeth
3 1151	Ball, Detent	43 3749	* Washer, Plain .758 x 1.12 x .010
4 3626	Spring, Detent	3652	* Washer, Plain .758 x 1.12 x .015
5 3623	Screw, Set	3693	* Washer, Plain .758 x 1.12 x .020
6 4336	Shifter Assembly	3653	* Washer, Plain .758 x 1.12 x .025
7 3884	O-Ring	3408	* Washer, Plain .758 x 1.25 x .020
8 3885	* Washer, Plain .505 x .942 x .006	3732	* Washer, Plain .758 x 1.25 x .025
3886	* Washer, Plain .505 x .942 x .010	3184	* Washer, Plain .758 x 1.25 x .031
3887	* Washer, Plain .505 x .942 x .015	3733	* Washer, Plain .758 x 1.25 x .035
3888	* Washer, Plain .505 x .942 x .020	3198	* Washer, Plain .758 x 1.25 x .040
3889	* Washer, Plain .505 x .942 x .026	3734	* Washer, Plain .758 x 1.25 x .045
3121	* Washer, Plain .505 x .942 x .030	3735	* Washer, Plain .758 x 1.25 x .050
3890	* Washer, Plain .505 x .942 x .040	3736	* Washer, Plain .758 x 1.25 x .055
9 1100	Ring, Retaining	3180	* Washer, Plain .758 x 1.25 x .062
10 1099	Ring, Retaining	44 3882	Shaft, Drive
11 1959	* Washer, Plain .632 x 1.00 x .010	45 3646	Gear, Spur, 12 Teeth
1441	* Washer, Plain .632 x 1.00 x .020	46 3684	Spacer .781 x 1.00 x .750
1423	* Washer, Plain .632 x 1.00 x .026	47 3866	Gear, Spur, 20 Teeth
1082	* Washer, Plain .632 x 1.00 x .031	48 3719	Gear, Spur, 25 Teeth
1424	* Washer, Plain .632 x 1.00 x .036	49 3906	Washer, Plain .343 x .81 x .059
1068	* Washer, Plain .632 x 1.00 x .041	50 3683	Gear, Spur, 31 Teeth
1425	* Washer, Plain .632 x 1.00 x .046	51 1145	Washer, Plain .632 x 1.00 x .060
1358	* Washer, Plain .632 x 1.00 x .050	52 3191	Seal, Felt
1145	* Washer, Plain .632 x 1.00 x .060	53 3180	Washer, Plain .758 x 1.25 x .062
1319	* Washer, Plain .632 x 1.00 x .082	54 3980	Axle, Left Hand
12 3312	O-Ring	55 3780	Gear, Miter, 15 Teeth
13 3876	Washer, Plain .632 x 1.38 x .046	56 3656	Ring, Retaining
14 1374	Key, Woodruff #9	57 3839	Gear, Spur, 32 Teeth
15 4134	Kit, Input Shaft Assembly	58 3919	Shaft, Cross
16 3590	Pinion, Bevel, 14 Teeth	59 3781	Gear, Miter, 15 Teeth
17 3624	Ring, Retaining	60 3981	Axle, Right Hand
18 3625	Chain, 24 Pitches	61 3864	Housing, Lower
19 1542	Bearing, Flange	62 3920	Puck, Friction
20 3773	Gear, Spur, 14 Teeth	63 3276	Brake, Disc
21 3631	Collar, Clutch	64 3758	Spacer
22 3828	Key, Clutch	65 3916	Jaw, Brake
23 1369	Key, Woodruff #3	66 3843	Pin, Dowel
24 3883	Shaft, Intermediate	67 3915	Screw, Tapping, Large 5/16-18 x 2.25
25 1375	Key, Woodruff #61	68 3768	Lever, Actuating
26 3627	Ring, Retaining	69 3760	Washer, Plain .321 x 1.00 x .055
27 3830	Sprocket, 18 Teeth	70 3917	Bracket, Anti-Rotation
28 3841	Spacer	71 3847	Locknut 5/16-24
29 3786	Gear, Spur, 37 Teeth	72 3724	Screw, Tapping, Large 5/16-18 x 1.44
30 3685	Spacer 1.133 x 1.50 x .750	73 4300	Grease
31 3867	Gear, Spur, 30 Teeth		
32 3783	Gear, Spur, 25 Teeth		
33 3907	Puck, Friction		
34 3741	Gear, Spur, 19 Teeth		
35 3628	Washer, Plain .640 x 1.37 x .061		
36 1423	Washer, Plain .632 x 1.00 x .026		
37 3422	Spacer .630 x 1.00 x .169		
38 4286	Assembly, Gear, Combination of 12 Teeth and 35 Teeth		
39 3877	Shaft, Idler		
40 3901	Spacer .635 x .875 x .755		

* Use In Various Combinations to Maintain Proper Clearances

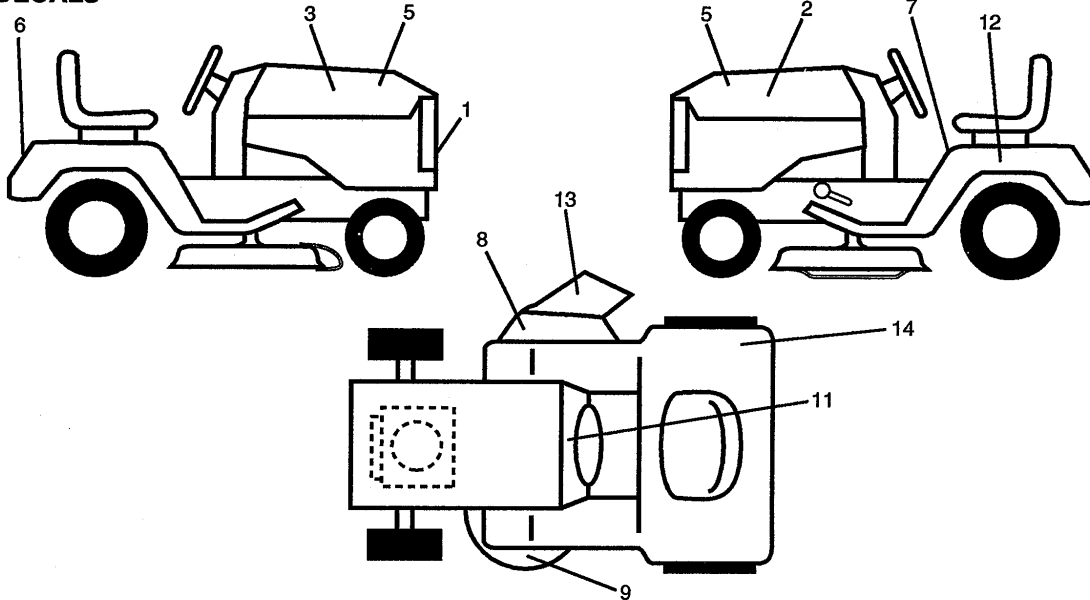
** Order Key Number 15

NOTE: All component dimensions given in U.S. inches
1 inch = 25.4 mm

REPAIR PARTS

10 HP 36" TRACTOR - - MODEL NUMBER YE10L36B

DECALS



KEY PART NO. NO.

1	126860X	Decal, Lightbox Lower
2	122036X	Decal, Stripe, Hood, L.H.
3	122037X	Decal, Stripe, Hood, R.H.
5	127192X	Decal, Model, Side Panel
6	123689X	Decal, Fender
7	133795	Decal, Caution
8	121349X	Decal, Danger

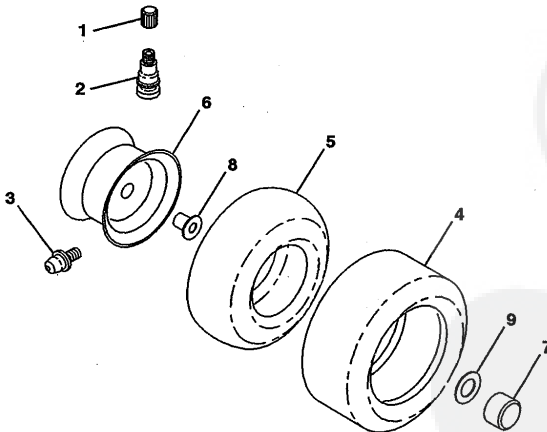
DESCRIPTION

KEY PART NO. NO.

9	109820X	Decal, Rotating Blades
11	123637X	Decal, Operating Instructions
12	121549X	Decal, Caution, Battery
13	123649X	Decal, Warning, Deflector
14	125690X	Decal 100 DbA
--	133626	Manual, Operator's (English)
--	131745	Manual, Operator's (French)
--	134727	Manual, Repair Parts (English/French)

DESCRIPTION

WHEELS



KEY PART NO. NO.

1	59192	Cap, Valve
2	65139	Stem, Valve
3	278H	Fitting, Grease (Front Only)
4	124142X	Tire, Front
	124143X	Tire, Rear
5	59904	Tube, Tire, Front
	8134H	(Optional, Service Item Only)
		Tube, Tire, Rear
		(Optional, Service Item Only)
6	122394X361	Rim Assembly, Front
	123412X361	Rim Assembly, Rear
7	104757X	Cap, Axle
8	9040H	Bearing, Flange (Front Only)
9	121748X	Washer, Axle Cap

DESCRIPTION