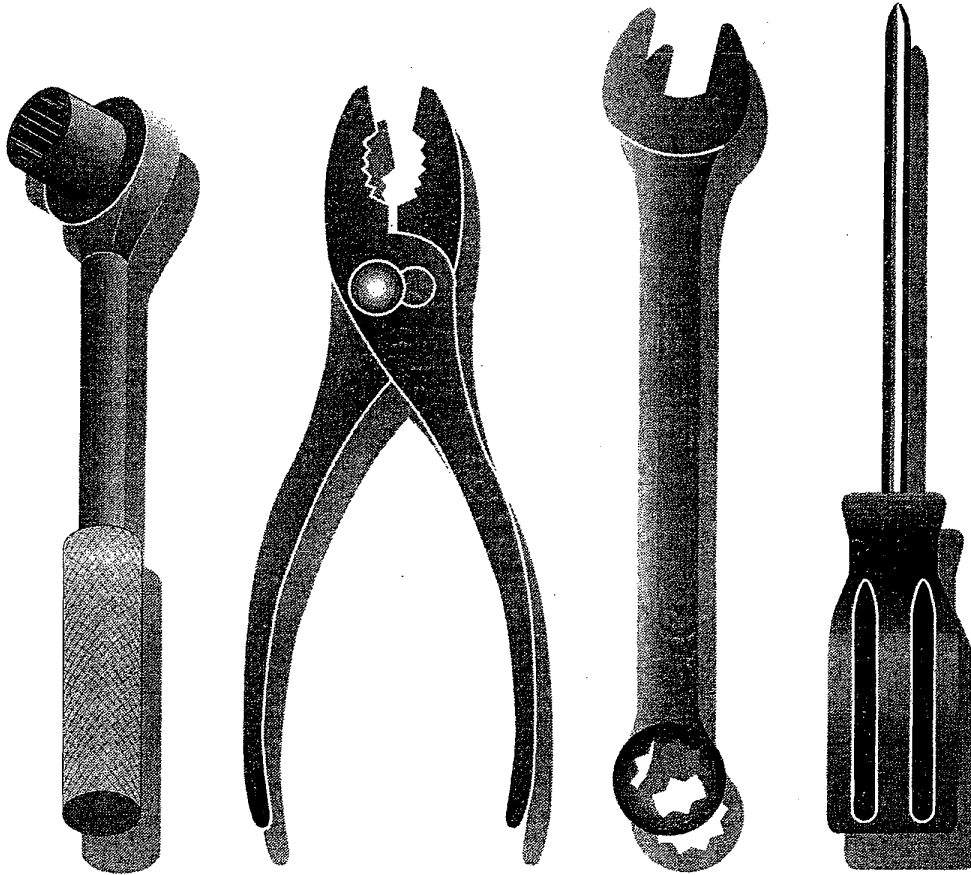


Do Not Remove



REPAIR PARTS MANUAL
MODEL NO. MT13B36B
Lawn Tractor

FILE 02

MOTEC

158119 12.27.96 BW
PRINTED IN U.S.A.

HOW TO USE THIS MANUAL

This manual is designed to provide the customer with a means to identify the parts on his/her tractor when ordering repair parts. The illustrations may or may not represent the actual assemblies; therefore, it is not recommended to use this manual as a guide to assemble or disassemble the tractor. Some hardware and parts are drawn larger in order to more readily identify them.

Each tractor has its own model number.

The model number for your tractor can be found on the fender under the seat.

When ordering parts, always give the following information:

- Product - "Tractor"
- Model Number - "MT13B36B"
- Part Number
- Part Description

SPECIFICATIONS

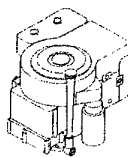
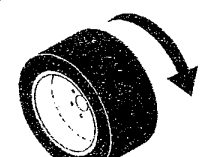
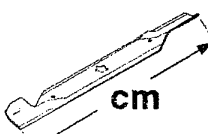
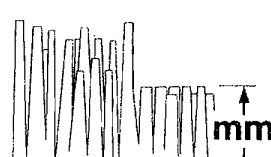

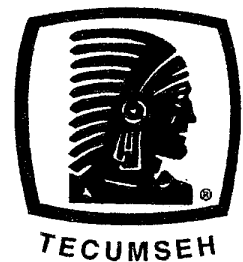
 hp/kw	 km/h	 cm	 mm	 KG	dB (A)
13/9,7	0-6	91	25-89	205	100

TABLE OF CONTENTS

DASH	9
DECALS	22
ENGINE/THROTTLE	14
ELECTRICAL	4-5
FENDER/CHASSIS	7
FRONT AXLE	12
GROUND DRIVE	15
HOOD	6
MOWER LIFT LEVER	17
MOWER DECK	18-19
BRAKE/REAR MOWER LIFT ASSEMBLY	13
SEAT	8
SECTOR GEAR/AXLE SUPPORT	11
STEERING WHEEL	10
TRANSAXLE	16, 20-21



SERVICE POLICY WARRANTY



Issued January 1980
Revised January 1991

LIMITED WARRANTIES FOR NEW PEERLESS GEAR POWER TRAIN COMPONENTS

A. Products Warranted

Peerless Gear and Machine Division of Tecumseh Products Company ("Tecumseh"), subject to the limitations contained below, will, at its option, repair or replace, without charge for parts or labor only, any part of a new Power Train Component (which as used herein means and includes the transaxle, gear box, transmission, differential and right angle drives, and any part of the Power Train Component), EXCEPT any new Power Train Component incorporated in equipment used for commercial or rental purposes, which is found upon examination by any Tecumseh Authorized Service Outlet or by Tecumseh's factory in Grafton, Wisconsin, to be DEFECTIVE IN MATERIAL AND/OR WORKMANSHIP if received by Tecumseh or a Tecumseh Authorized Service Outlet for such examination within TWO YEARS from the date of sale to the original consumer purchaser of Peerless Series 820, 900, 910, 915, 920, 930 transaxles and Series 1100 angle drive and ONE YEAR for all other Peerless products. New Power Train Components incorporated in equipment used for commercial purposes are warranted in the same manner and to the same extent EXCEPT such Power Train Components are warranted for NINETY (90) DAYS ONLY, and must be received by Tecumseh or by a Tecumseh Authorized Service Outlet for such examination within 90 days from the date of sale to the original purchaser. New Power Train Components Incorporated in equipment used for rental purposes are warranted in the same manner and to the same extent EXCEPT such Power Train Components are warranted for THIRTY (30) DAYS ONLY, and must be received by Tecumseh or a Tecumseh Authorized Service Outlet within 30 days from the date of sale to the original purchaser.

B. Products And Items Not Warranted

1. Alterations or Modifications of Power Train Components.
 2. Accidents, Normal Maintenance, Failure to follow the Original Equipment Manufacturer's Manual.
- This warranty covers only parts of new Power Train Components which are found upon examination to be defective in material or workmanship as delivered to the original purchaser. This warranty does not cover defects caused by depreciation or damage caused by normal wear, accidents, improper maintenance, improper use or abuse of the product, failure to follow the instructions contained in an Instruction Manual for the operation of the Power Train Component and parts. The cost of normal maintenance and replacement of service items which are not defective shall be paid for by the original purchaser.

C. Securing Warranty Service

Warranty service can be arranged for by contacting either a Tecumseh Authorized Service Outlet (any Tecumseh Registered Service Dealer, Tecumseh Authorized Service Distributor, or Tecumseh Central Warehouse Distributor) or by contacting Tecumseh, c/o Service Manager, Engine and Transmission Group Service Division, 900 North Street, Grafton, Wisconsin 53024. Warranty service can only be performed by a Tecumseh Authorized Service Outlet or by Tecumseh at its factory in Grafton, Wisconsin. At the time of requesting warranty service, evidence must be presented of the date of sale to the original purchaser. The purchaser shall pay any charges for making service calls and/or for transporting the product to and from the place where the inspection and/or warranty work is performed. The purchaser shall be responsible for any damage or loss incurred in connection with the transportation of Power Train Components and/or part(s) of the Power Train Components submitted for inspection and/or warranty work.

D. Limitation of Damages and Implied Warranties

The foregoing EXPRESSED WARRANTY IS IN LIEU OF ALL OTHER EXPRESS WARRANTIES. Neither Tecumseh nor any of its affiliates makes any warranties, representations or promises, written or oral, as to the quality of the Power Train Component or any of its parts, other than as set forth herein.

ANY IMPLIED WARRANTY OF MERCHANTABILITY OR FITNESS FOR A PARTICULAR PURPOSE, TO THE EXTENT THAT EITHER MAY APPLY TO ANY PART(S) OF POWER TRAIN COMPONENTS, SHALL BE LIMITED IN DURATION TO THE PERIODS OF THE EXPRESSED WARRANTIES DEFINED IN PARAGRAPH A HEREOF. IN NO EVENT WILL TECUMSEH BE LIABLE FOR ANY INCIDENTAL, CONSEQUENTIAL OR SPECIAL DAMAGES AND/OR EXPENSES. Some states do not allow limitations on how long an implied warranty lasts or the exclusion or limitation of incidental or consequential damages, so the above limitation(s) or exclusion(s) may not apply to you. This warranty gives you specific legal rights and you may also have other legal rights which vary from state to state.

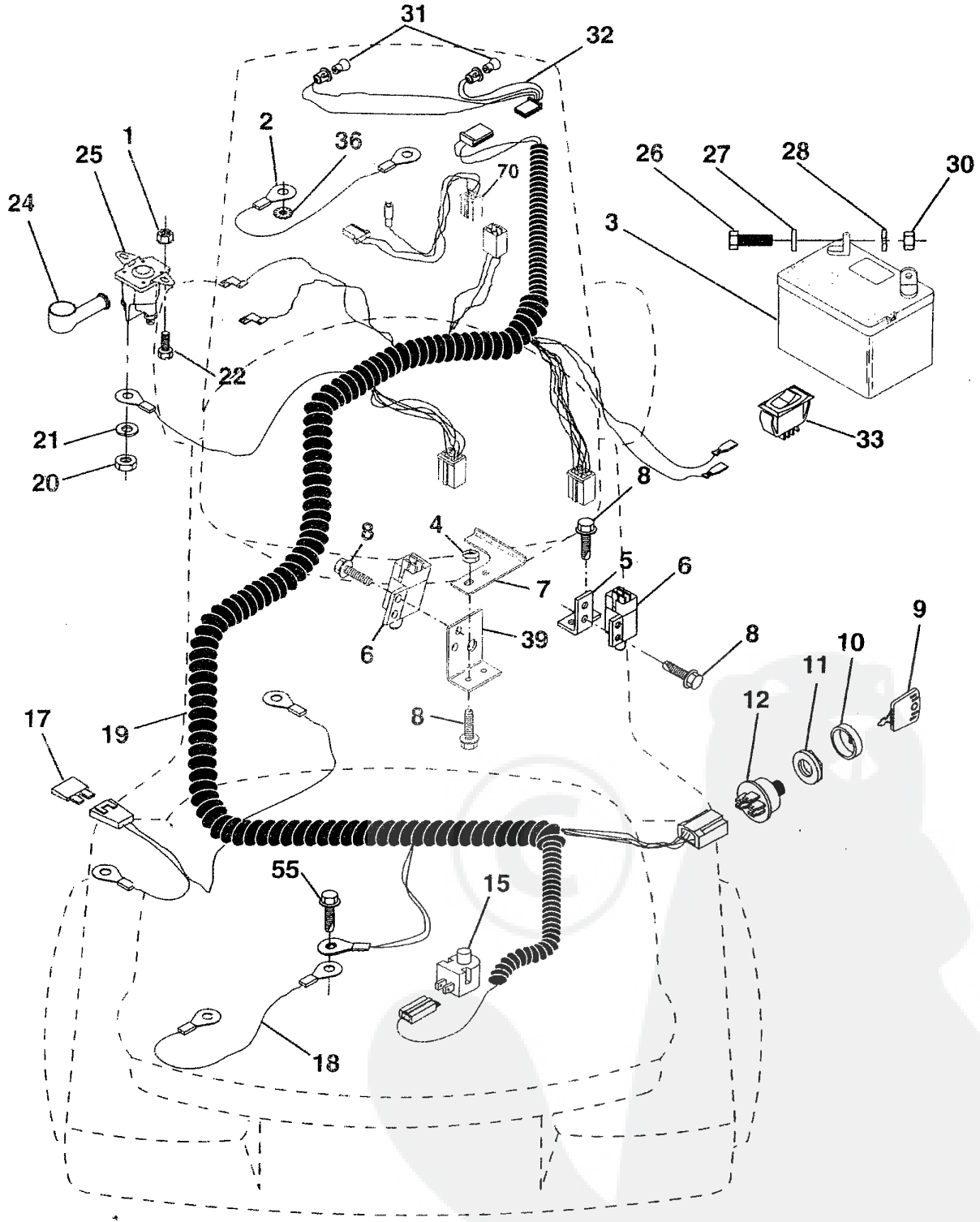
E. No Dealer Warranty

Tecumseh neither assumes nor authorizes any other person, natural or corporate, to assume for Tecumseh any other obligations or liabilities in connection with or with respect to any part(s) of a Power Train Component. The seller or dealer of part(s) of a Power Train Component has no authority, whatsoever, to make any representations or promises on behalf of Tecumseh or to modify the terms or limitations of Tecumseh's warranty in any way.

REPAIR PARTS

TRACTOR -- MODEL NUMBER MT13B36B

ELECTRICAL



REPAIR PARTS

TRACTOR - - MODEL NUMBER MT13B36B

ELECTRICAL

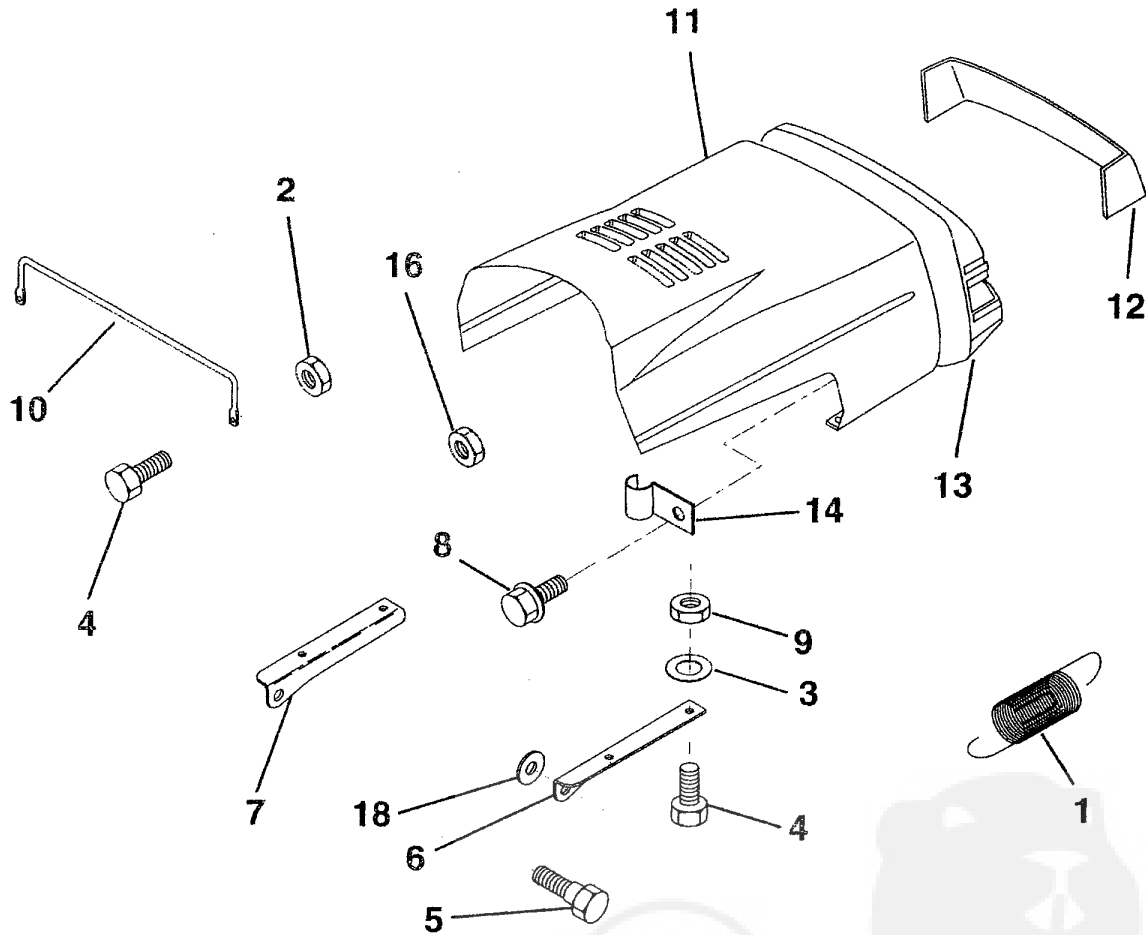
KEY NO.	PART NO.	DESCRIPTION
1	73640400	Nut, Hex, Keps 1/4-20 UNC
2	108423X	Assembly, Cable
3	146139	Battery
4	69180	Nut, Lock #10-24 UNC
5	108236X	Bracket, Switch
6	109553X	Switch, Interlock (4 Terminal)
7	146374	Keeper, Actuator
8	17021008	Screw, Hex Head, Tapping #10-24 x 1/2
9	140401	Key, Molded
10	141226	Cover, Key, Ignition
11	140400	Nut, Ignition
12	144921	Switch, Ignition
15	121305X	Switch, Plunger
17	108824X	Fuse
18	128353	Assembly, Cable
19	146064	Harness, Ignition
20	73350400	Nut, Hex, Jam 1/4-20
21	10090400	Washer, Lock 1/4
22	71110408	Bolt, Hex 1/4-20 x 12 Grade 5
24	131563	Cover, Terminal
25	145673	Solenoid
26	74760412	Bolt, Hex Head 1/4-20 UNC x 3/4
27	19091016	Washer 9/32 x 5/8 x 16 Gauge
28	10040400	Washer, Lock, Hvy. Hel. Spring 1/4
30	73220400	Nut, Hex, Fin 1/4-20
31	4152J	Bulb Light #1156
32	136850	Harness Asm Light w/4152J
33	110712X	Switch, Light, Blk, Blk, Red
36	11150400	Washer, Lock Int. Tooth 1/4
39	141735	Bracket Switch, Clutch
55	17490508	Screw Thdrol 5/16-18 x 1/2
70	140413	Harness, Engine

NOTE: All component dimensions given in U.S. inches
1 inch = 25.4 mm

REPAIR PARTS

TRACTOR - - MODEL NUMBER MT13B36B

HOOD



KEY NO.	PART NO.	DESCRIPTION
1	124657X	Spring, Extension
2	73640400	Nut, Hex, Keps 1/4-20 UNC
3	19091416	Washer 9/32 x 7/8 x 16 Gauge
4	74780412	Bolt, Hex, Fin 1/4-20 x .75
5	139888	Bolt, Shoulder
6	122549X	Bracket, Hood, R.H.
7	122548X	Bracket, Hood, L.H.
8	17521312	Screw, Sltd Hex Hd w/PI Washer
9	73800400	Nut, Lock w/Insert 1/4-20
10	123693X	Brace, Hood

KEY NO.	PART NO.	DESCRIPTION
11	132918X505	Hood
12	140113	Lens
13	153656	Grill
14	4171R	Clip Fuel Line 11/32 Mtg Hole
16	124346X	Nut, Self Thd. Wsh Hd.
18	19111116	Washer 11/32 x 11/16 x 16 Ga.

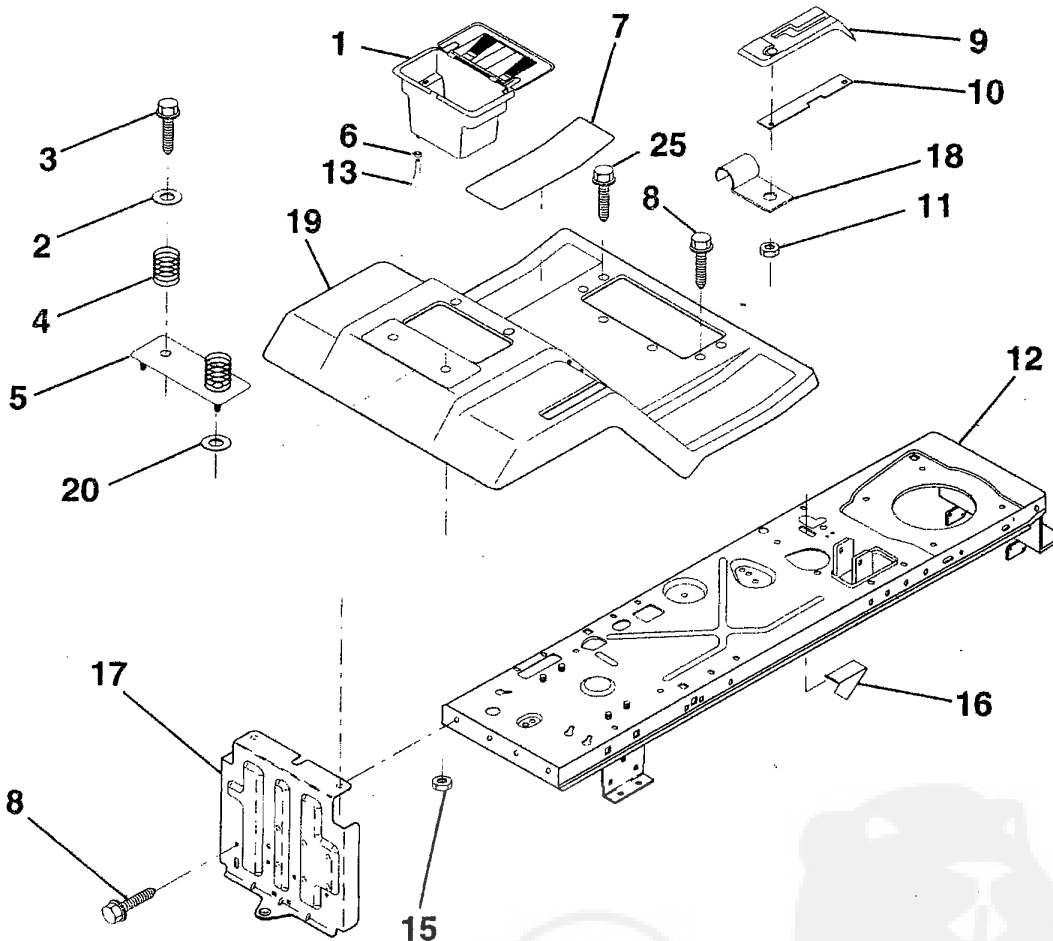
NOTE: All component dimensions given in U.S. inches.
1 inch = 25.4 mm.

HARDWARE SHOWN LARGER FOR EASIER IDENTIFICATION

REPAIR PARTS

TRACTOR - - MODEL NUMBER MT13B36B

FENDER / CHASSIS



KEY NO.	PART NO.	DESCRIPTION
1	156417	Case, Battery
2	19132012	Washer 13/32 x 1-1/4 x 12 Gauge
3	17490612	Screw, Hex Washer Head, Thd. Roll. 3/8-16 x 3/4
4	124181X	Spring, Compression, Seat
5	127115X505	Plate, Battery
6	109596X	Clamp, Hose
7	126700X	Pad, Footrest
8	17490512	Screw, Hex Washer Head, Thd. Roll. 5/16-18 x 3/4
9	126995X	Console, Shift Control
10	139783	Bar, Shift Lock

KEY NO.	PART NO.	DESCRIPTION
11	124346X	Nut, Self-Threading 3/16
12	145190	Assembly, Frame
13	109238X	Tube, Battery Drain
15	73640400	Nut, Hex, Keps 1/4-20
16	141736	Switch Actuator
17	140782	Drawbar
18	126470X	Clip, Insulated
19	140955X505	Fender/Footrest
20	19091413	Washer 9/32 x 7/8 x 13 Gauge
25	17190516	Scr. - Hx Wsh Thd Rol 5/16-18 x 1T

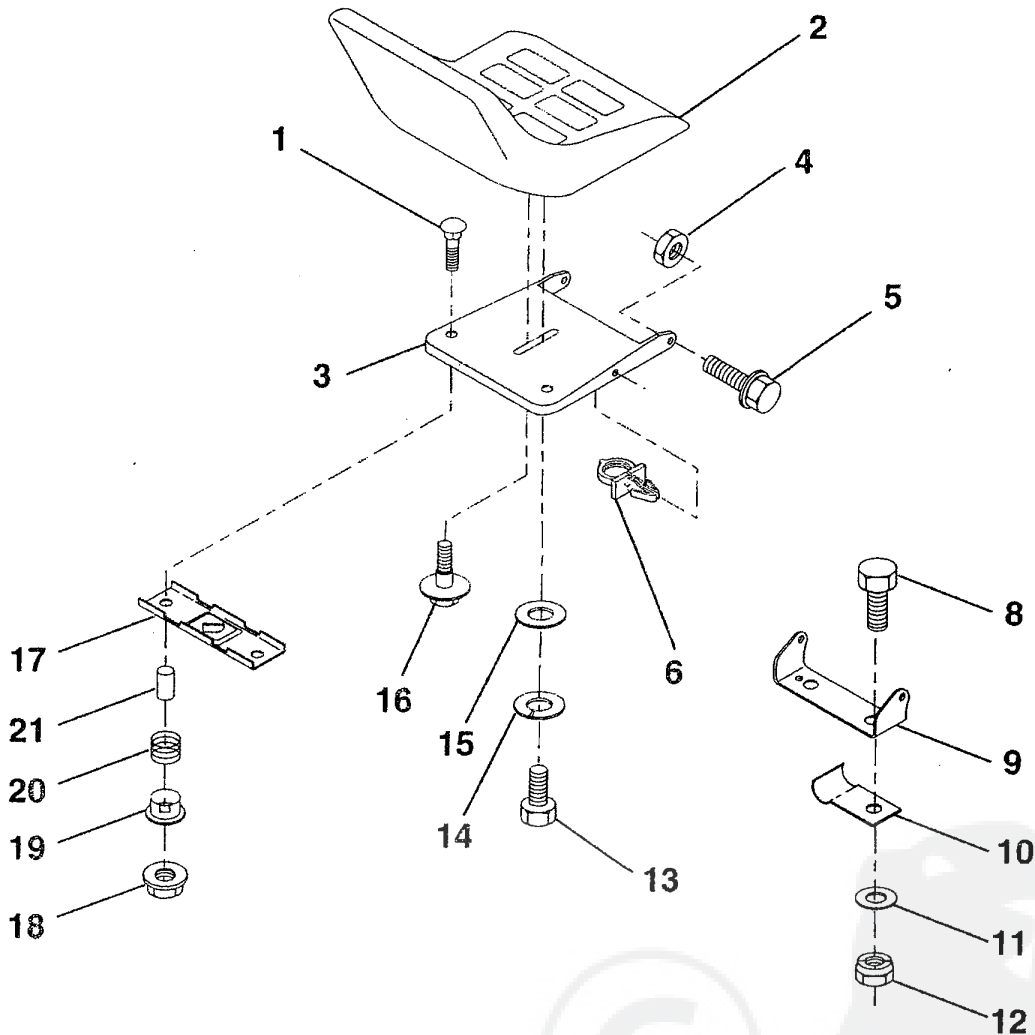
NOTE: All component dimensions given in U.S. inches.
1 inch = 25.4 mm.

HARDWARE SHOWN LARGER FOR EASIER IDENTIFICATION

REPAIR PARTS

TRACTOR -- MODEL NUMBER MT13B36B

SEAT



KEY NO.	PART NO.	DESCRIPTION
1	72050411	Bolt, Carriage 1/4-20 x 1-3/8
2	140116	Seat
3	155925	Pan, Seat
4	73680500	Nut, Crownlock 5/16-18
5	153236	Bolt, Shoulder 5/16-18
6	145006	Clip, Push-In
8	74760616	Bolt, Hex, Fin 3/8-16 UNC x 3/4
9	140551	Bracket, Pivot, Seat
10	126471X	Clip, Insulated
11	19133210	Washer 13/32 x 2 x 10 Gauge
12	73800600	Nut, Lock Hex w/Wsh 3/8-16

KEY NO.	PART NO.	DESCRIPTION
13	74780814	Bolt, Fin Hex 1/2 - 13 x 7/8 Gr. 5
14	10040800	Washer Lock Hvy HLCL Spr. 1/2
15	19171912	Washer 17/32 x 13/16 x 12 Gauge
16	127018X	Bolt, Shoulder
17	121246X	Bracket, Switch, Mounting
18	123976X	Locknut, Hex, Large, Flange
19	121248X	Bushing, Snap
20	121250X	Spring, Compression
21	134300	Spacer, Split, Large .28 Id. x .88

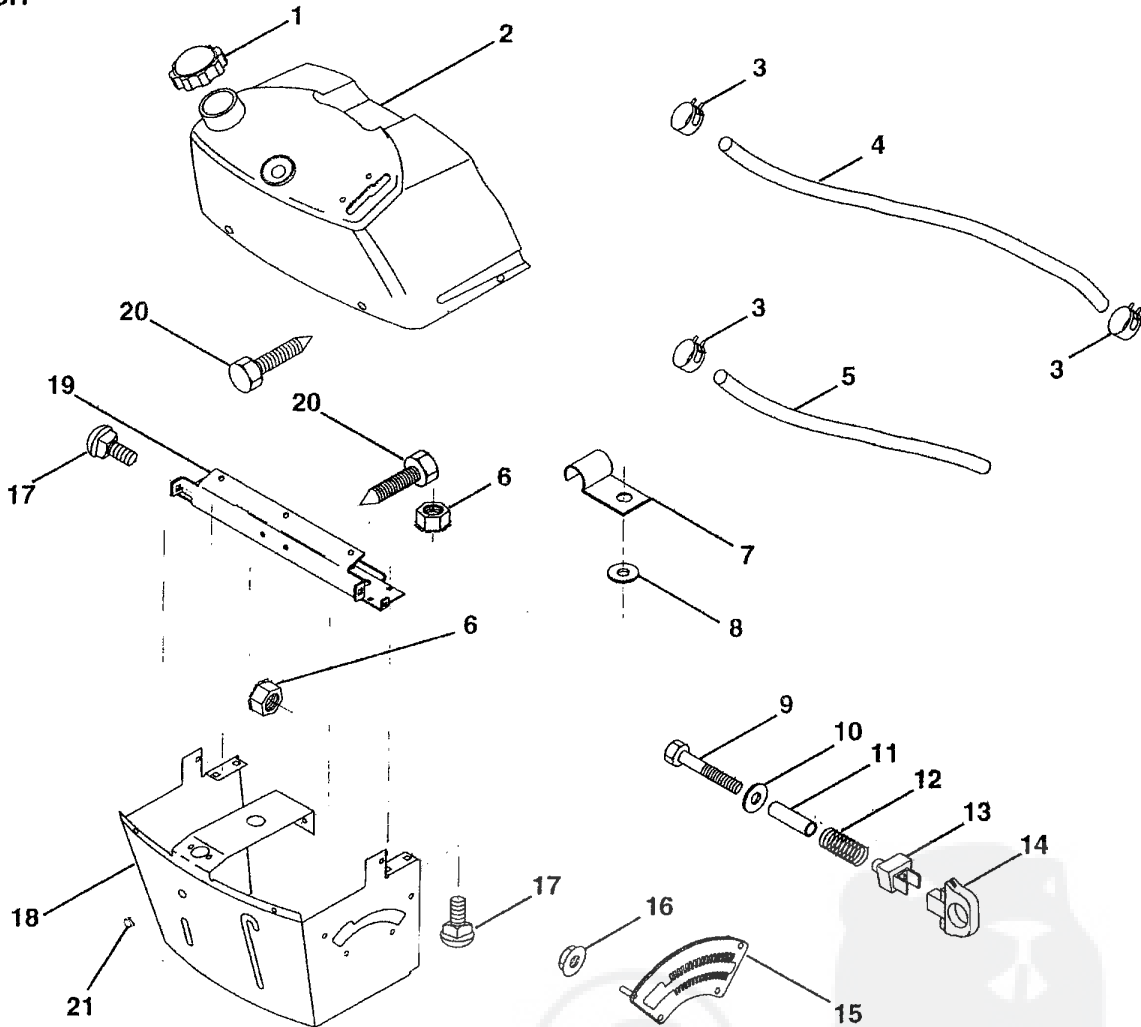
NOTE: All component dimensions given in U.S. inches.
1 inch = 25.4 mm.

HARDWARE SHOWN LARGER FOR EASIER IDENTIFICATION

REPAIR PARTS

TRACTOR - - MODEL NUMBER MT13B36B

DASH



KEY NO.	PART NO.	DESCRIPTION
1	141523	Cap, Fuel
2	138392	Assembly, Dash & Fuel Tank
3	123487X	Clamp, Hose
4	8544R	Line, Fuel
5	8548R	Line, Fuel
6	73640400	Nut, Hex, Keps 1/4-20
7	2751R	Clip, Fuel Line
8	19091216	Washer 9/32 x 3/4 x 16 Gauge
9	74760428	Bolt, Hex, Fin. 1/4-20 x 1-3/4
10	19091413	Washer 11/32 x 11/16 x 16 Gauge
11	121249X	Spacer, Split Spring
12	3720R	

KEY NO.	PART NO.	DESCRIPTION
13	126450X	Clip, Height Adjustment
14	126115X	Knob, Height Stop
15	122023X	Adjustment, Quadrant Height
16	124346X	Nut, Self-Threading 3/16-18
17	72110404	Bolt, Carriage 1/4-20 x 1/2 Grade 5
18	130745	Support Assembly, Dash
19	134744	Brace, Cross
20	17060408	Screw, Tap 1/4-20 x 1/2
21	134014	Plug, Dome

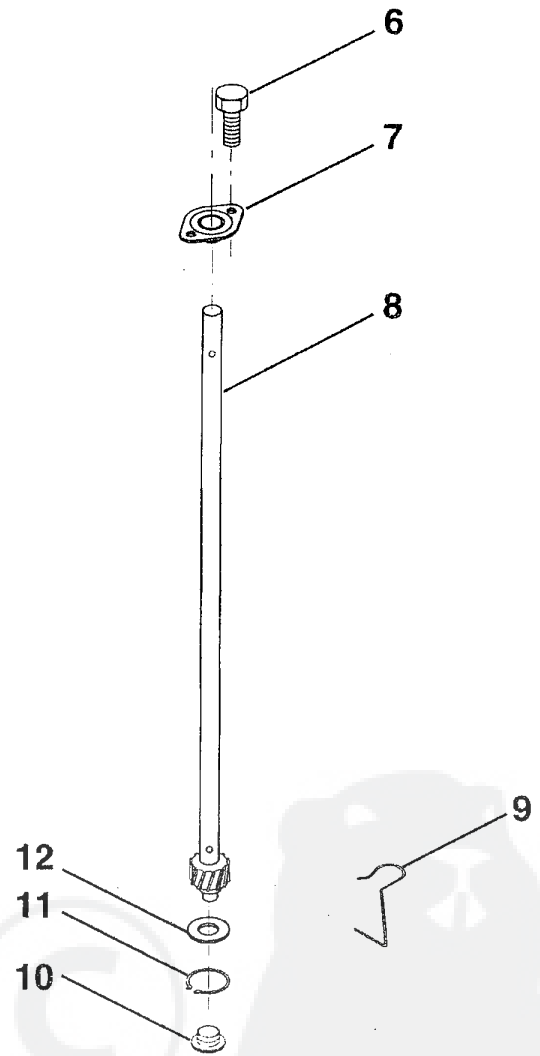
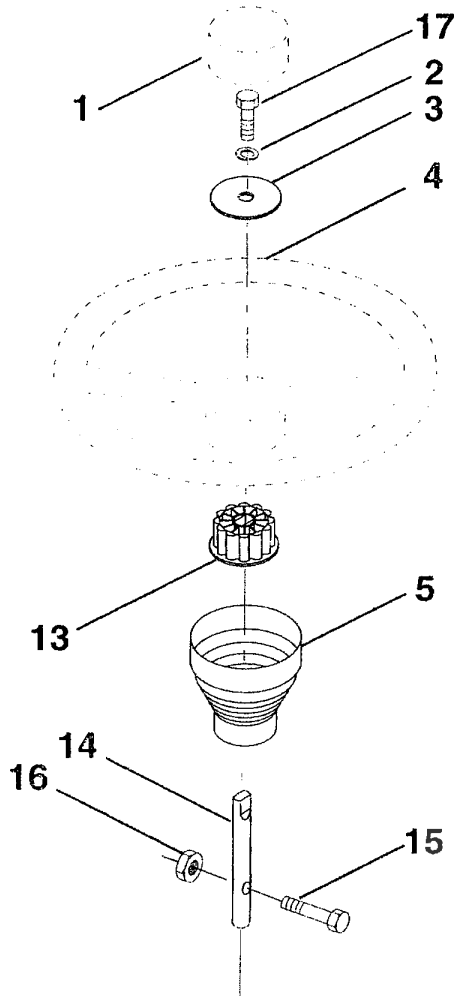
NOTE: All component dimensions given in U.S. inches.
1 inch = 25.4 mm.

HARDWARE SHOWN LARGER FOR EASIER IDENTIFICATION

REPAIR PARTS

TRACTOR - - MODEL NUMBER MT13B36B

STEERING WHEEL



KEY NO.	PART NO.	DESCRIPTION
1	126805	Insert, Steering Wheel
2	10040600	Washer, Lock Hvy Hlcl
3	19133808	Washer 13/32 x 2-3/8 x 8 Ga.
4	121472X	Wheel, Steering
5	121897X	Sleeve, Steering
6	152927	Screw, TT #10-32 x 5 x 3/8 flange
7	155104	Bushing, Steering
8	147391	Shaft, Steering
9	124210X	Clip, Steering
10	123438X	Bushing, Lower, Steering

KEY NO.	PART NO.	DESCRIPTION
11	12000045	Ring, Retaining
12	19211616	Washer 21/32 x 1 x 16 Ga.
13	100711L	Adaptor, Steering Wheel
14	153720	Extension Shaft Steering
15	74780520	Bolt Fin Hex 5/16-18 UNC x 1-1/4
16	73800500	Nut Lock Hex W/Ins 5/16-18 UNC
17	74780616	Bolt, Fin Hex 3/8-16 UNC x 1

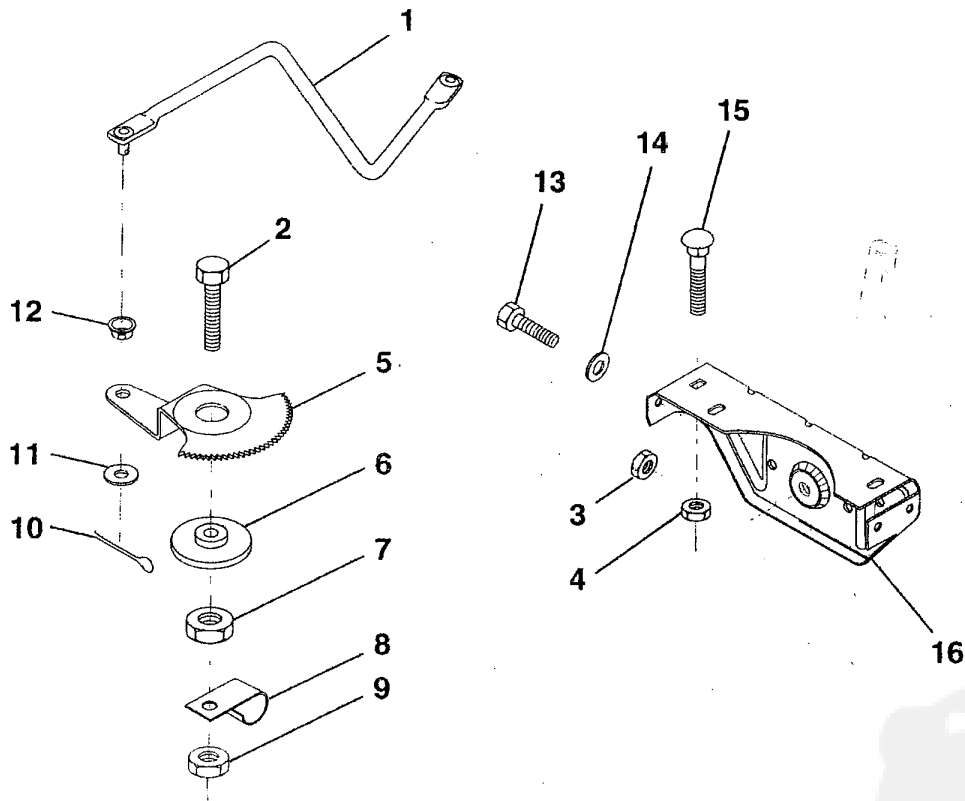
NOTE: All component dimensions given in U.S. inches.
1 inch = 25.4 mm.

HARDWARE SHOWN LARGER FOR EASIER IDENTIFICATION

REPAIR PARTS

TRACTOR - - MODEL NUMBER MT13B36B

SECTOR GEAR / AXLE SUPPORT



KEY NO.	PART NO.	DESCRIPTION
1	132566	Link, Drag
2	74780828	Bolt, Hex, Fin 1/2-13 x 1-3/4
3	73680500	Nut, Crownlock 5/16-18
4	73680600	Nut, Crownlock 3/8-16
5	121926X	Gear, Sector
6	121927X	Bushing
7	73030800	Nut, Heavy, Hex, Toplock 1/2-13 UNC
8	126472X	Clip, Wire
9	73680800	Nut, Crownlock 1/2-13

KEY NO.	PART NO.	DESCRIPTION
10	76020412	Pin, Cotter 1/8 x 3/4
11	19131316	Washer 13/32 x 13/16 x 16 Ga.
12	126847X	Bushing
13	74760512	Bolt, Hex 5/16-18 x 3/4
14	19111416	Washer 11/32 x 7/8 x 16 Ga.
15	72110606	Bolt, Carriage 3/8-16 UNC x 3/4
16	137096	Support, Front Axle

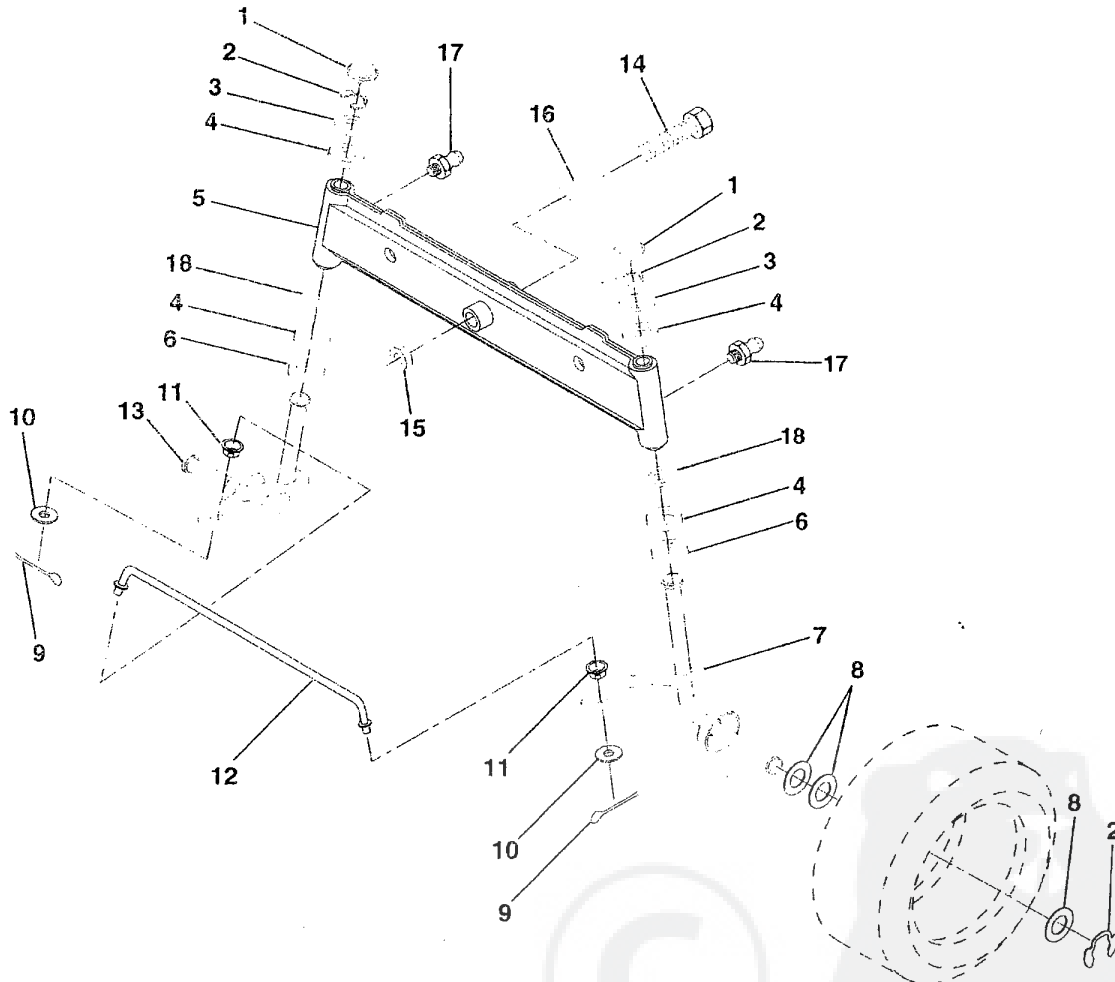
NOTE: All component dimensions given in U.S. inches.
1 inch = 25.4 mm.

HARDWARE SHOWN LARGER FOR EASIER IDENTIFICATION

REPAIR PARTS

TRACTOR - - MODEL NUMBER MT13B36B

FRONT AXLE



KEY NO.	PART NO.	DESCRIPTION
1	121232X	Cap, Spindle
2	12000029	Ring, Klip
3	121748X	Washer 25/32 x 1-5/8 x 16 Gauge
4	3366R	Bearing
5	142033	Axle, Front
6	6266H	Bearing, Thrust
7	137062	Spindle Assembly, R.H.
8	121749X	Washer 25/32 x 1-1/4 x 16 Gauge
9	76020412	Pin, Cotter 1/8 x 3/4
10	19131316	Washer 13/32 x 13/16 x 16 Gauge

KEY NO.	PART NO.	DESCRIPTION
11	126847X	Bushing
12	130465	Rod, Tie
13	137061	Spindle Assembly, L.H.
14	74011056	Bolt, Hex 5/8-11 x 3-1/2
15	73901000	Nut, Lock Flange 5/8-11
16	110438X	Spacer, Bearing Axle
17	6855M	Fitting, Grease
18	19272016	Washer 27/32 x 1-1/4 x 16 Ga.

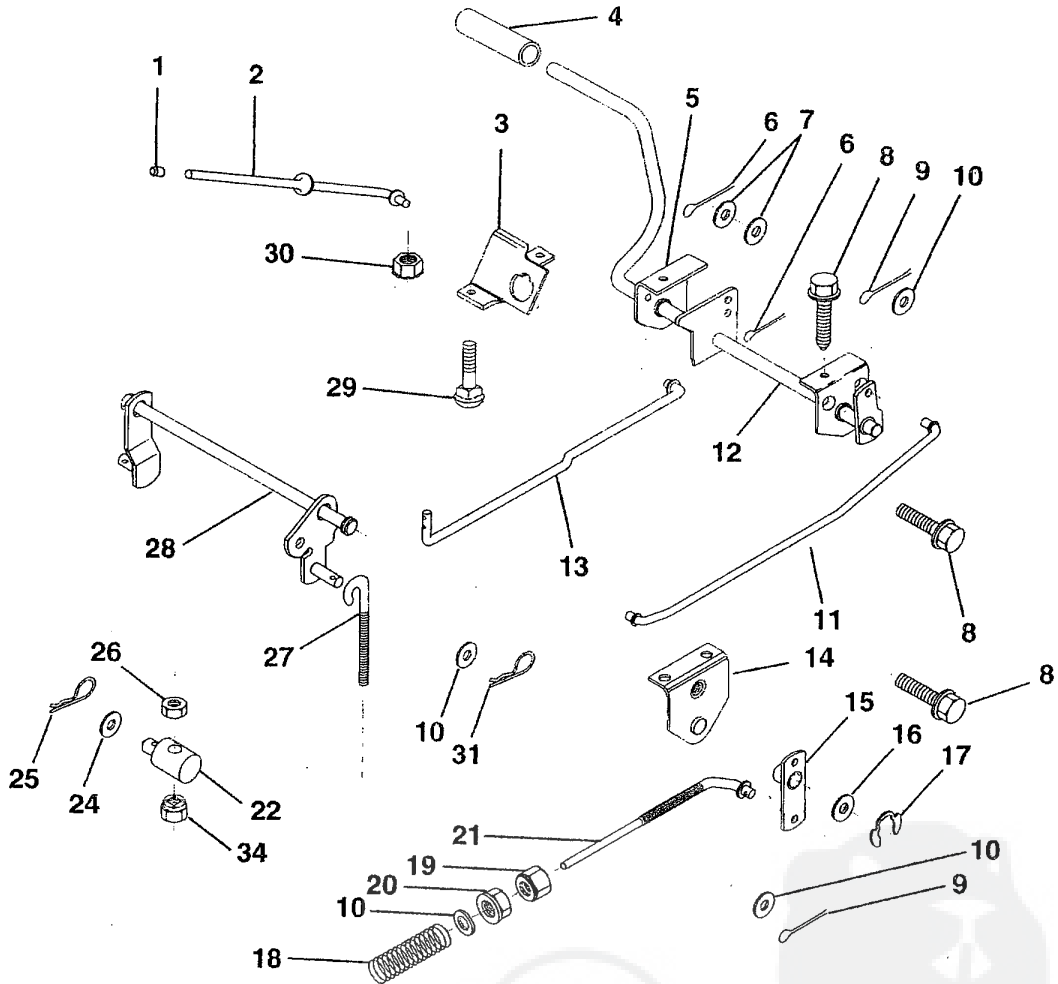
NOTE: All component dimensions given in U.S. inches.
1 inch = 25.4 mm.

HARDWARE SHOWN LARGER FOR EASIER IDENTIFICATION

REPAIR PARTS

TRACTOR -- MODEL NUMBER MT13B36B

BRAKE / REAR MOWER LIFT ASSEMBLY



KEY NO.	PART NO.	DESCRIPTION
1	71673	Cap, Parking Brake
2	123436X	Rod, Parking Brake
3	123437X	Bracket, Parking Brake
4	123533X	Cover, Pedal
5	122504X	Bracket, Pedal, Clutch LH
6	76020312	Pin, Cotter 3/32 x 3/4
7	19131016	Washer 13/32 x 5/8 x 16 Gauge
8	17490508	Screw, Hex, Thd. Roll. 5/16-18 x 1/2
9	76020412	Pin, Cotter 1/8 x 3/4
10	19131316	Washer 13/32 x 13/16 x 16 Gauge
11	123543X	Rod, Front Brake
12	139933	Assembly, Clutch/Brake Pedal
13	123394X	Rod, Clutch
14	121978X	Bracket, Lift, Shaft
15	133332	Assembly, Brake, Pivot, Arm
16	19251816	Washer 25/32 x 1-1/8 x 16 Gauge

KEY NO.	PART NO.	DESCRIPTION
17	12000034	Ring, Klip
18	151332	Spring, Brake Rod
19	73350600	Nut, Hex, Jam 3/8-16 UNC
20	73800600	Nut, Lock hex w/Wsh 3/8-16
21	131460	Rod, Rear Brake
22	144585	Trunnion, Lift
24	19132012	Washer 13/32 x 1-1/4 x 12 Gauge
25	4921H	Spring, Retainer
26	73930600	Nut, Centerlock 3/8-16 UNC
27	127369	Link, Threaded
28	140776	Assembly, Rear Mower Lift
29	72110506	Bolt, Carriage 5/16-18 UNC x 3/4
30	73510500	Nut, Keps 5/16-18 UNC
31	3146R	Retainer, Spring
34	73680600	Nut, Crownlock 3/8-16

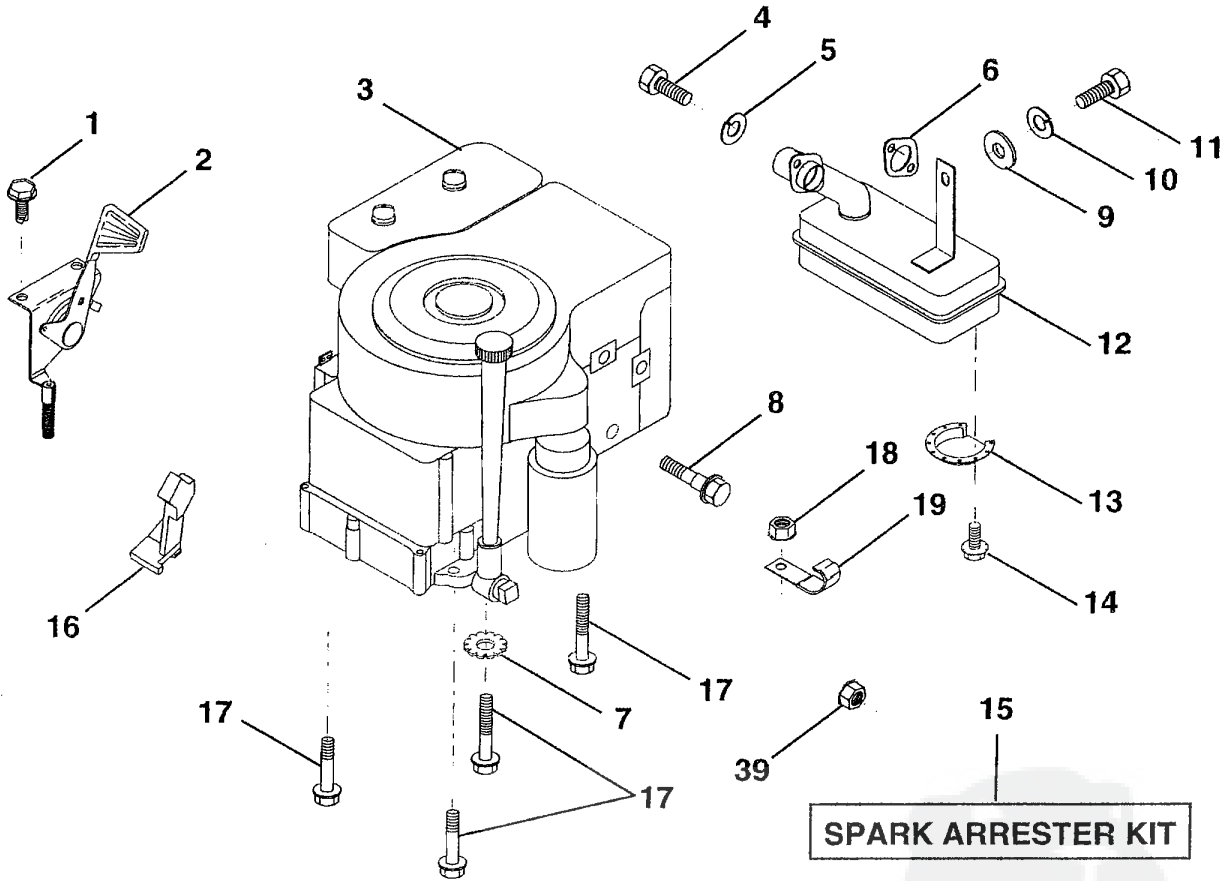
NOTE: All component dimensions given in U.S. inches.
1 inch = 25.4 mm.

HARDWARE SHOWN LARGER FOR EASIER IDENTIFICATION

REPAIR PARTS

TRACTOR - - MODEL NUMBER MT13B36B

ENGINE / THROTTLE



KEY NO.	PART NO.	DESCRIPTION
1	17060408	Screw, Hex, Thread Cutting 1/4-20 x 1/2
2	133025	Control, Throttle
3	-----	Engine, B&S, 13 HP, Model #28M707
4	71070512	Screw, Hex Hd
5	10040500	Washer, Lock Heavy Helical Spring 5/16
6	272293	Gasket, Exhaust
7	11050600	Washer Lock, Ext. tooth 3/8
8	121094X	Bolt, Shoulder 5/16 UNC
9	19101216	Washer 5/16 x 3/4 x 16 Gauge
10	10040400	Washer, Lock Hvy Hcl Spring 1/4
11	-----	Bolt, Hex, Fin (Order From Engine Mfg.)

KEY NO.	PART NO.	DESCRIPTION
12	137437	Muffler
13	101326L	Deflector, Muffler
14	17030808	Screw, Spiderlock Hex Hd 8 x 1/2
15	137180	Kit, Spark Arrester (Optional)
17	17490624	Screw, Hex Washer Head, Thd. Roll. 3/8-16 x 1-1/2
16	127951	Stop, Choke
18	73510600	Nut, Keps Hex 3/8-16 UNC
19	2751R	Clip Line Fuel 13/32 Mtg Hole
39	128861	Nut, Flange 1/4-20

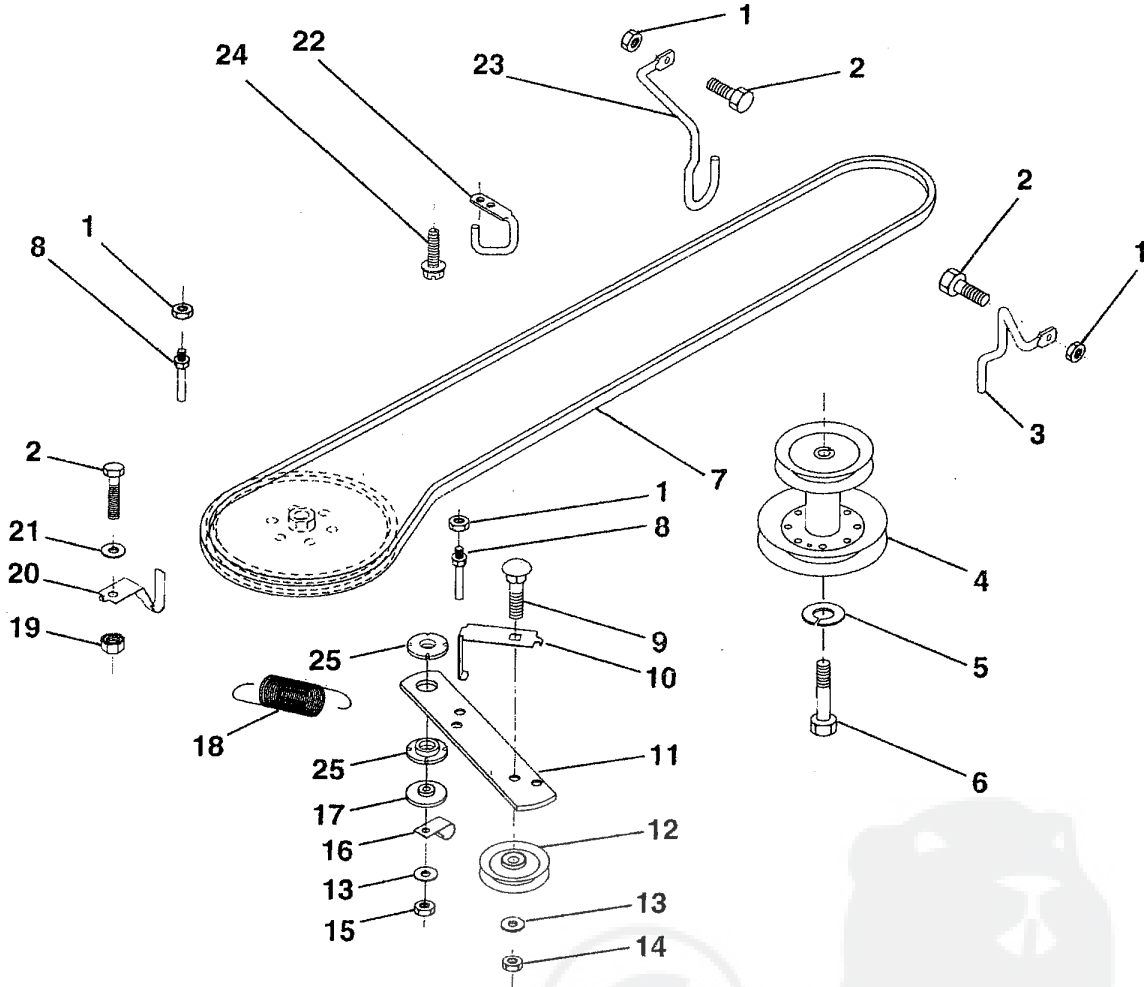
NOTE: All component dimensions given in U.S. inches.
1 inch = 25.4 mm

HARDWARE SHOWN LARGER FOR EASIER IDENTIFICATION

REPAIR PARTS

TRACTOR -- MODEL NUMBER MT13B36B

GROUND DRIVE



KEY NO.	PART NO.	DESCRIPTION
1	73680500	Nut, Crownlock 5/16-18
2	74760512	Bolt, Hex 5/16-18 UNC x 3/4
3	141342	Keeper, Mower Drive Belt, Engine, R.H.
4	138029	Pulley, Engine
5	10040700	Washer, Lock, Heavy Helical Spring 7/16
6	71170744	Bolt, Hex, 7/16-20 x 2-3/4 Grade 5
7	126520X	Traction, V-Belt Drive
8	123405X	Keeper, T/A Ground Drive Belt
9	72140612	Bolt, Carriage 3/8-16 UNC x 1-1/2
10	123396X	Keeper, Ground Drive Belt, Idler
11	150926	Arm, Ground Drive Clutch
12	123674X	Idler, Flat

KEY NO.	PART NO.	DESCRIPTION
13	19131316	Washer 13/32 x 13/16 x 16 Gauge
14	73930600	Nut, Centerlock 3/8-16 UNC
15	73800600	Nut, Lock Hex w/Wsh 3/8-16
16	126471X	Clip, Insulated
17	150932	Spacer, Retainer
18	131459	Spring, Extension
19	73510500	Nut, Keps 5/16-18 UNC
20	139919	Keeper, T/A Ground Drive Belt
21	19111016	Washer 11/32 x 5/8 x 16 Gauge
22	123404X	Keeper, Ground Drive Belt, Frame
23	140916	Keeper, Belt Eng
24	17720408	Screw, Thd. Cut 1/4-20 x 1/2
25	150935	Bushing, Nylon

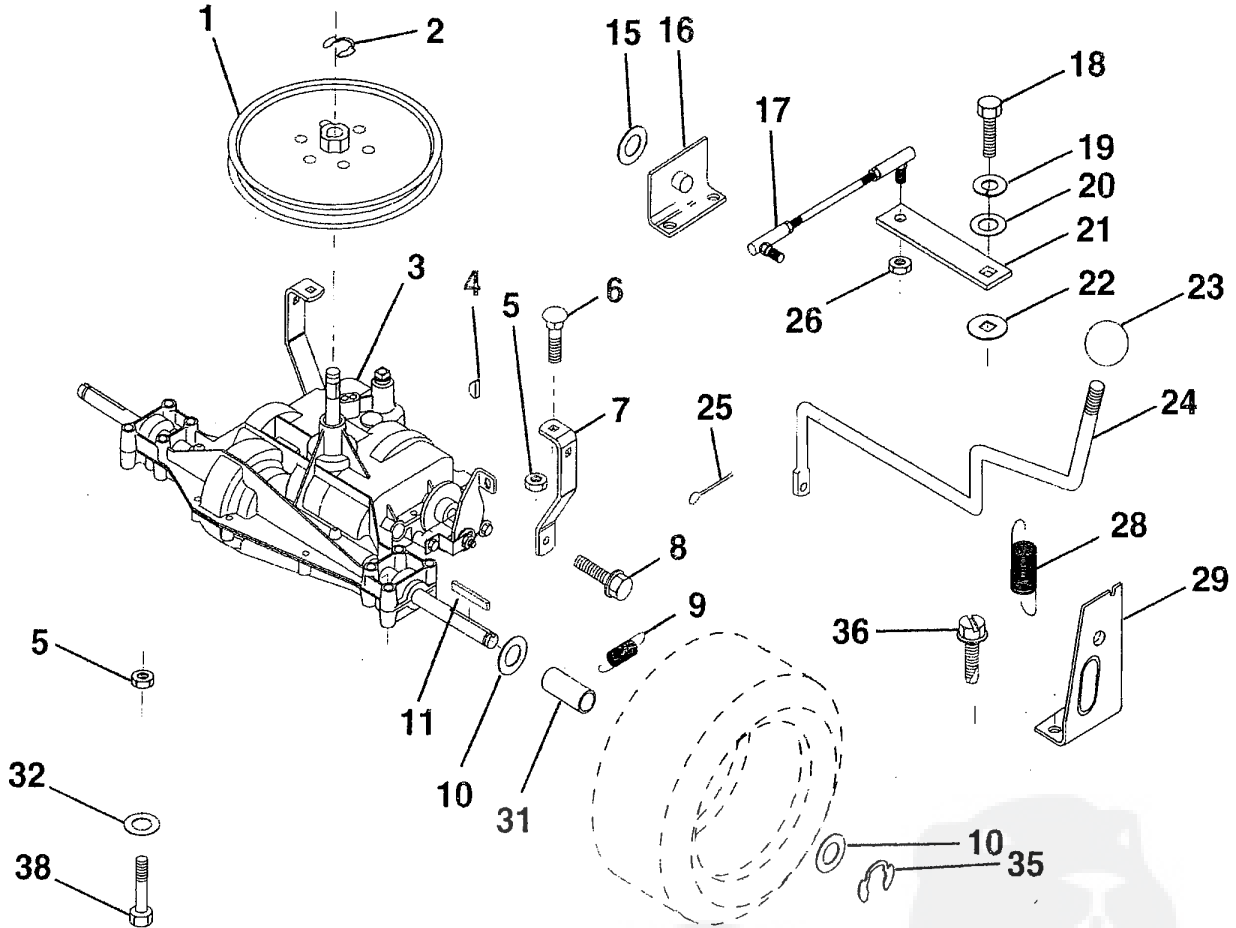
NOTE: All component dimensions given in U.S. inches.
1 inch = 25.4 mm

HARDWARE SHOWN LARGER FOR EASIER IDENTIFICATION

REPAIR PARTS

TRACTOR -- MODEL NUMBER MT13B36B

TRANSAXLE



KEY NO.	PART NO.	DESCRIPTION
1	123385X	Pulley
2	12000028	Ring, Retainer
3	-----	Transaxle (See Breakdown) Peerless 930-010A
4	2228M	Key, Woodruff #9
5	73680500	Nut, Lock Hex 5/16-18
6	72140506	Bolt, Carriage 5/16-18 UNC x 3/4
7	123378X	Strap, Torque
8	17490512	Screw 5/16-18 x 3/4
9	146682	Spring, Brake
10	121749X	Washer 25/32 x 1-1/4 x 16 Gauge
11	123583X	Key, Square
15	19171616	Washer 17/32 x 16 Ga.
16	124600X	Support, Handle Shift
17	126293X	Link, Shift
18	74550412	Bolt, Hex, Fin 1/4-28 UNF x 3/4 Gr. 8

KEY NO.	PART NO.	DESCRIPTION
19	10040400	Washer, Lock 1/4
20	19091210	Washer 9/32 x 3/4 x 10 Gauge
21	126292X	Arm, Shift
22	105701X	Washer, Shift Plate
23	121274X	Knob, Deluxe
24	128215	Rod, Shift
25	76020416	Pin, Cotter 1/8 x 1
26	73810500	Nut, Hex, Nylon 5/16-24 UNF
28	128085	Spring, Extension
29	128084	Support, Handle, Shift, R.H.
31	137057	Spacer, Split
32	19111116	Washer, 11/13 x 11/16 x 16 Ga.
35	12000001	E-Ring
36	17720408	Screw, Thdcut. 1/4-20 x 1/2
38	74490544	Bolt, Hex, Flgnd 5/16-18

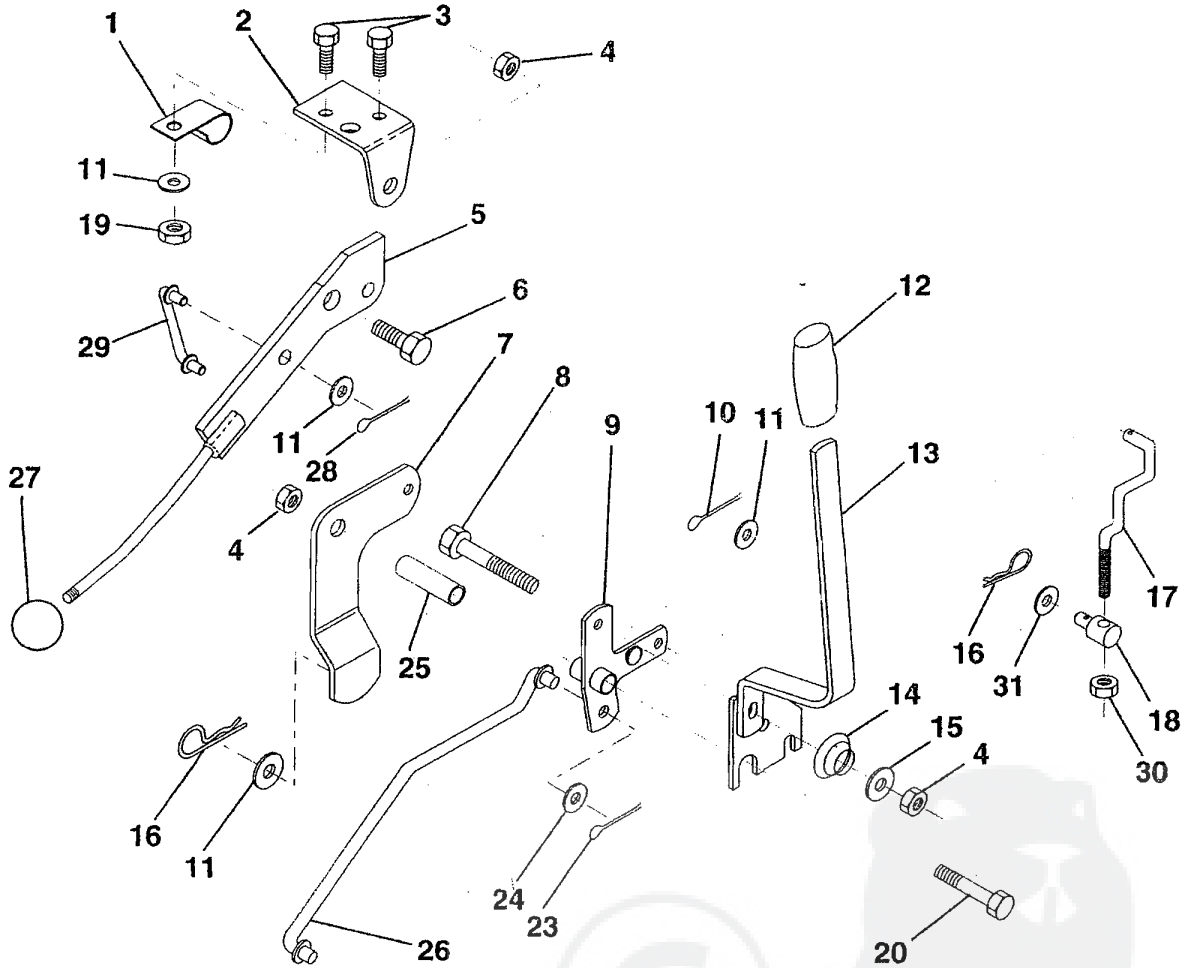
NOTE: All component dimensions given in U.S. inches
1 inch = 25.4 mm.

HARDWARE SHOWN LARGER FOR EASIER IDENTIFICATION

REPAIR PARTS

TRACTOR - - MODEL NUMBER MT13B36B

MOWER LIFT LEVER



KEY NO.	PART NO.	DESCRIPTION
1	126470X	Clip, Insulated
2	122018X	Bracket, Mower Clutch
3	71110408	Bolt, Hex, Fin 1/4-20 UNC x 1/2 Grade 5
4	73680600	Nut, Crownlock 3/8-16
5	145187	Assembly, Clutch Lever
6	106451X	Bolt, Shoulder
7	135371	Assembly, Mower Clutch Arm
8	74760636	Bolt, Hex 3/8-16 UNC x 2-1/4
9	121930X	Assembly, Bellcrank, Lift
10	76020412	Pin, Cotter 1/8 x 3/4
11	19131316	Washer 13/32 x 13/16 x 16 Gauge
12	122027X	Sleeve, Handle
13	139352	Assembly, Lift Handle
14	123496X	Spring, Compression
15	19131212	Washer 13/32 x 3/4 x 12 Gauge

KEY NO.	PART NO.	DESCRIPTION
16	4921H	Retainer, Spring
17	127359	Link, Front Lift
18	142028	Trunnion, Threaded 3/8-16
19	73680400	Nut, Crownlock 1/4-20
20	74760644	Bolt, Hex, Fin. 3/8-16 UNC x 2-3/4
23	76020416	Pin, Cotter 1/8 x 1
24	19171612	Washer 17/32 x 1 x 16 Gauge
25	121933X	Tube, Spacer
26	141470	Rod, Mower Lift
27	121466X	Knob, Rd
28	76020312	Pin, Cotter 3/32 x 3/4
29	131655	Link, Mower Clutch
30	73350600	Nut, Hex Jam 3/8-16
31	19132012	Washer 13/32 x 1-1/4 x 12 Ga.

NOTE: All component dimensions given in U.S. inches
1 inch = 25.4 mm.

HARDWARE SHOWN LARGER FOR EASIER IDENTIFICATION

REPAIR PARTS

TRACTOR - - MODEL NUMBER MT13B36B

MOWER DECK

KEY NO.	PART NO.	DESCRIPTION	KEY NO.	PART NO.	DESCRIPTION
1	140064	Spring, Mower Clutch	29	137266	Nut, Flangelock 9/16
2	122052X	Spacer, Retainer	30	136631	Bracket, Deflector
3	73680600	Nut, Crownlock 3/8-16	31	17490508	Screw, Hex Washer Head, Thd. Roll. 5/16-18 x 1/2
4	130840	Assembly, Brake	32	122051X	Arm, Support Idler, Mower
5	131251	Guide, Belt Idler	33	131560	Shield, Deflector
6	121316X	Idler, Flat	36	121980X	Rod, Hinge
7	72110616	Bolt, Carriage 3/8-16 x 2-1/4	37	123713X	Spring, Torsion Deflector
8	19131410	Washer 13/32 x 7/8 x 10 Gauge	38	105304X	Cap, Sleeve
9	127744	Assembly, Mower Idler Arm	39	19111016	Washer 11/32 x 5/8 x 16 Gauge
10	72140610	Bolt, Carriage 3/8-16 1-1/4	40	110452X	Nut, Push
11	130841	Rod, Brake	41	131264	V-Belt
12	127356	Bracket, Rear Lift, R.H.	42	19171616	Washer 11/32 x 5/8 x 16 Gauge
13	72140506	Bolt, Carriage 5/16-18 UNC x 5/8	43	3146R	Clip, Hairpin
14	73680500	Nut, Crownlock 5/16-18	44	140608	Keeper, L.H.
15	127357	Bracket, Rear Lift, L.H.	45	110485X	Bearing
16	153298	Keeper, R.H.	46	128774	Housing, Mandrel, Vented
17	128508	Stabilizer, Mower Link	47	129895	Bearing
18	128511	Pin, Drive	48	137645	Shaft, Mandrel (Includes Key Number 47)
19	127380	Bracket, Stabilizer Link	49	133943	Washer, Hardened
20	138496	Blade, High Performance	62	153390	Washer, Felt
21	140296	Washer, Hard	--	130794	Mandrel Assembly (Includes Key Numbers 21-23, 26, 29 and 45-48)
22	10030600	Washer, Lock, Heavy 3/8	--	156866	Deck, Mower Complete
23	850857	Bolt 3/8-24 x 1-1/4 Grade 8			
24	140329	Stripper			
25	138776	Screw, Thdrol Hex Head			
27	156600	Housing, Mower			
28	153531	Pulley, Mandrel			

NOTE: All component dimensions given in U.S. inches.
1 inch = 25.4 mm.

HARDWARE SHOWN LARGER FOR EASIER IDENTIFICATION

REPAIR PARTS

TRACTOR - - MODEL NUMBER MT13B36B

PEERLESS TRANSAXLE - MODEL NUMBER 930-010A

REF PART NO. NO.	DESCRIPTION	REF PART NO. NO.	DESCRIPTION	
1	772108A	42A	792085A	Screw 1/4-20 x 2-1/4
2	780086	43	792075	Locknut 5/16-24
3	770102A	44	790025	Holder, Brake Pad
4	776260	45	786066	Spacer
5	776219B	46	786086	Bracket, Brake Lever
6	778139	47	774690	Axle 11-5/16" long
7	778136	48	774691	Axle 16-1/2" long
8	792136A	49	778191	Gear, Spur, 37 Teeth (1*)
8A	792047	50	778125	Gear, Spur, 35 Teeth (2*)
9	784352	51	778124A	Gear, Spur, 30 Teeth (3*)
10	784355	52	778123A	Gear, Spur, 25 Teeth (4*)
11	778229	53	778122A	Gear, Spur, 22 Teeth (5*)
12	778113A	54	778273	Gear, Spur, 19 Teeth, Steel (6*)
13	778221	56	778230	Gear, Spur, 12 Teeth (1*)
14	778068	57	778151	Gear, Spur, 15 Teeth (2*)
15	778260	58	778126A	Gear, Spur, 20 Teeth (3*)
17	786139	59	778127A	Gear, Spur, 25 Teeth (4*)
18	786102	60	778129A	Gear, Spur, 30 Teeth (5*)
20	792077	61	778163	Gear, Spur, 31 Teeth (6*)
21	792078	65	780109	Washer, Thrust
22	792079	66	776135	Shaft, Input
23	788061	67	776315A	Shaft, Brake, 4 Keyed
25	792073	68	786116A	Plug
		69	780051	Washer, Thrust
26	792125	70	786118	Spacer
		71	788069	Seal, Square Cut
		72	792165	Plug, Threaded 9/16-18
27	792035	72A	788091	"O" Ring
28	788040	76	780090	Washer, Thrust
29	780072	77	788078A	Ring, Retaining, Inverted (Package of 2)
30	780108			Spring, Brake
31	780001	79	792144	Chain, Roller
32	792001	81	786081	(Number 41 Chain, 24 Links)
33	788095			Sprocket, 9 Teeth (Reverse)
34	780105A	82	786082	Sprocket, 18 Teeth (Reverse)
35	780118A	83	786123	Grease, Bentonite, 32 Ounce Bottle
36	790003	90	788067B	Gasket Eliminator (Loctite #515)
37	790007	150	510334	Replacement Transaxle
38	799021	900	794603	
39	786026			
40	792076A			
41	790079			
42	792073			

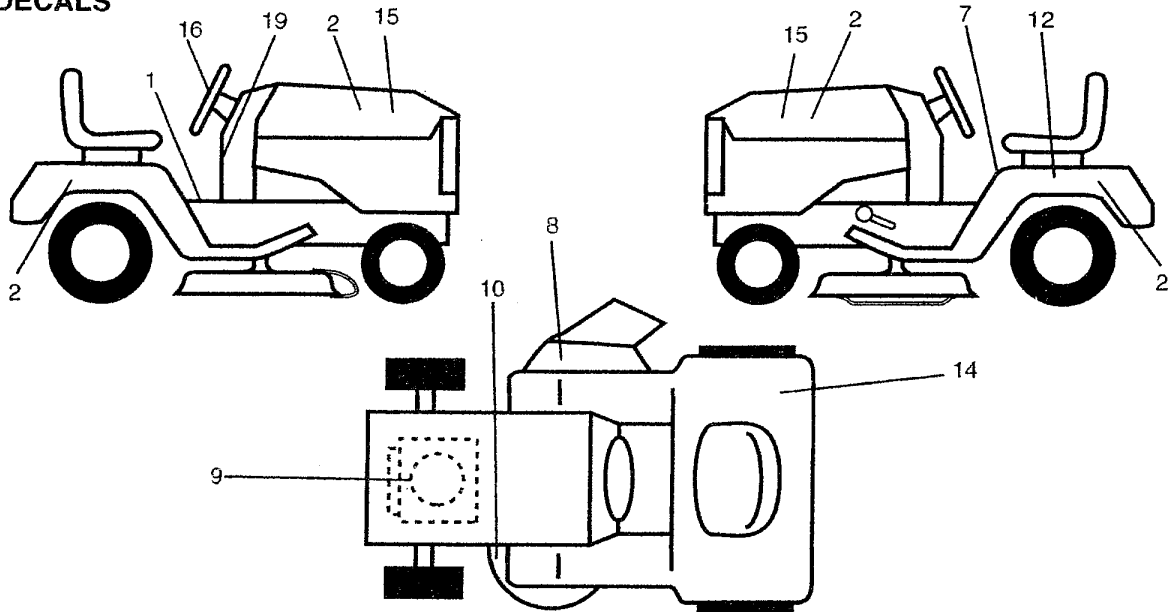
NOTE: All component dimensions given in U.S. inches
1 inch = 25.4 mm

Parts must be ordered from Tecumseh Products Co.

REPAIR PARTS

TRACTOR -- MODEL NUMBER MT13B36B

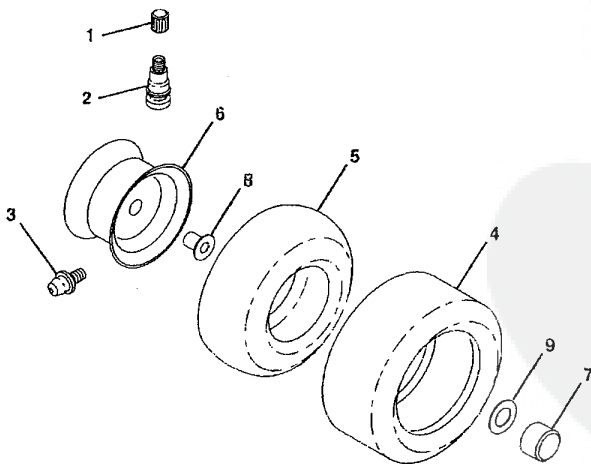
DECALS



KEY NO.	PART NO.	DESCRIPTION
1	145545	Decal, Inst. Warn. Sym.
2	154796	Nameplate Motec
7	145498	Decal, Red, Owners, Manual, Sym.
8	145494	Decal, Cutfinger, Sym.
9	153969	Decal, Engine HP
10	136830	Decal, V-Belt Schematic
12	146451	Decal, Caution, Battery
14	125690X	Decal, 100 Db
15	153952	Decal, Hood
16	153679	Decal, Wheel Steering

KEY NO.	PART NO.	DESCRIPTION
19	145437	Decal, Europe, Stand Ce
--	138311	Decal, Handle Lift
--	157065	Manual, Operator's (Euro)
--	158119	Manual, Repair Parts
Available accessories are not included with your tractor:		
--	C36	Grass Bagger
--	MK36	Mulcher Kit

TIRES & WHEELS



KEY NO.	PART NO.	DESCRIPTION
1	59192	Cap, Valve
2	65139	Stem, Valve
3	278H	Fitting, Grease (Front Only)
4	137422	Tire, Front
	132703	Tire, Rear
5	59904	Tube, Tire, Front
		(Optional, Service Item Only)
	8134H	Tube, Tire, Rear
		(Optional, Service Item Only)
6	137237X417	Rim Assembly, Front
	140325X417	Rim Assembly, Rear
7	104757X	Cap, Axle
8	9040H	Bearing, Flange (Front Only)
9	121748X	Washer, Axle Cap
--	144334	Sealant, Tire (10 oz. Tube)

NOTE: All component dimensions given in U.S. inches.
1 inch = 25.4 mm.