

LIMITED WARRANTY

The Manufacturer warrants to the original consumer purchaser that this product as manufactured is free from defects in materials and workmanship. For a period of one (1) year from date of purchase by the original consumer purchaser, we will repair or replace, at our option, without charge for parts or labor incurred in replacing parts, any part which we find to be defective due to materials or workmanship. This Warranty is subject to the following limitations and exclusions.

1. This warranty does not apply to the engine, other than FHP manufactured transaxle/transmission components, battery (except as noted below) or components parts thereof. Please refer to the applicable manufacturer's warranty on these items.
2. Transportation charges for the movement of any power equipment unit or attachment are the responsibility of the purchaser. Transportation charges for any parts submitted for replacement under this warranty must be paid by the purchaser unless such return is requested by Frigidaire Home Products.
3. Battery Warranty: On products equipped with a Battery, we will replace, without charge to you, any battery which we find to be defective in manufacture, during the first ninety (90) days of ownership. After ninety (90) days, we will exchange the Battery, charging you 1/12 of the price of a new Battery for each full month from the date of the original sale. Battery must be maintained in accordance with the instructions furnished.
4. The Warranty period for any products used for rental or commercial purposes is limited to 90 days from the date of original purchase.
5. This Warranty applies only to products which have been properly assembled, adjusted, operated, and maintained in accordance with the instructions furnished. This Warranty does not apply to any product which has been subjected to alteration, misuse, abuse, improper assembly or installation, delivery damage, or to normal wear of the product.
6. Exclusions: Excluded from this Warranty are belts, blades, blade adapters, normal wear, normal adjustments, standard hardware and normal maintenance.
7. In the event you have a claim under this Warranty, you must return the product to an authorized service dealer.

Should you have any unanswered questions concerning this Warranty, please contact:

Frigidaire Home Products
Service Department
P.O. Box 1687
Orangeburg, SC 29116 USA

In Canada contact:
Frigidaire Home Products
7075 Ordan Drive
Mississauga, Ontario
L5T 1K6

giving the model number, serial number and date of purchase of your product and the name and address of the authorized dealer from whom it was purchased.

THIS WARRANTY DOES NOT APPLY TO INCIDENTAL OR CONSEQUENTIAL DAMAGES AND ANY IMPLIED WARRANTIES ARE LIMITED TO THE SAME TIME PERIODS STATED HEREIN FOR OUR EXPRESSED WARRANTIES. Some areas do not allow the limitation of consequential damages or limitations of how long an implied Warranty may last, so the above limitations or exclusions may not apply to you. This Warranty gives you specific legal rights, and you may have other rights which vary from locale to locale.

This is a limited Warranty within the meaning of that term as defined in the Magnuson-Moss Act of 1975.



WEED EATER®



**REPAIR
PARTS MANUAL
MODEL NO. WEX18H46B
Lawn Tractor**

WEED EATER[®]

HOW TO USE THIS MANUAL

This manual is designed to provide the customer with a means to identify the parts on his/her tractor when ordering repair parts. The illustrations may or may not represent the actual assemblies; therefore, it is not recommended to use this manual as a guide to assemble or disassemble the tractor. Some hardware and parts are drawn larger in order to more readily identify them.

Each tractor has its own model number.

The model number for your tractor can be found on the fender under the seat.

When ordering parts, always give the following information:

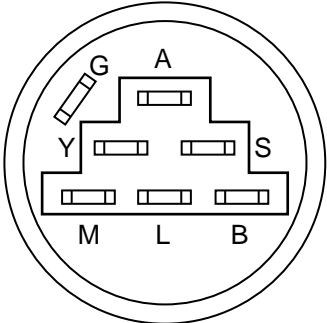
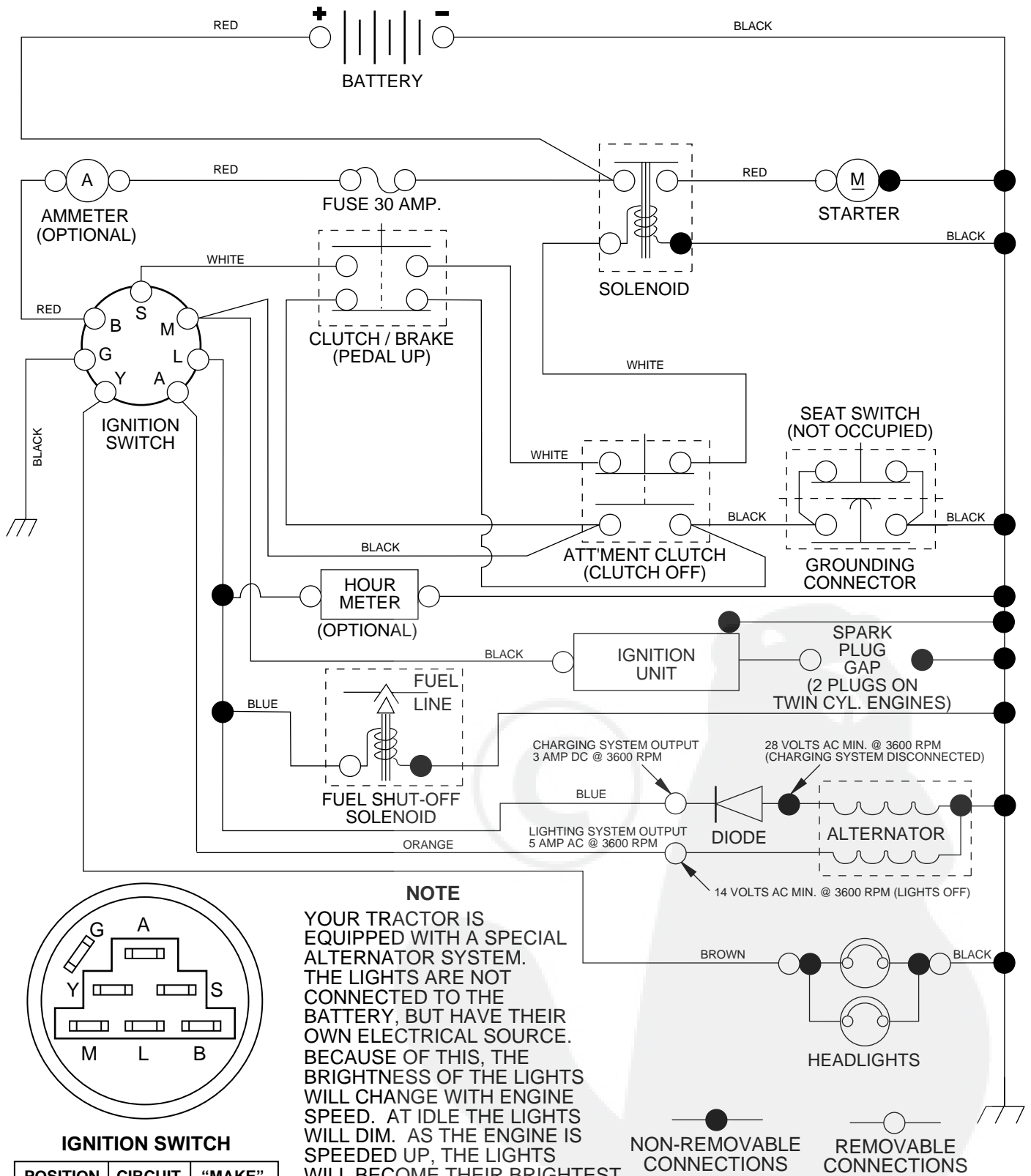
- Product - "Tractor"
- Model Number - "WEX18H46B"
- Part Number
- Part Description

TABLE OF CONTENTS

ELECTRICAL	4-5
CHASSIS	6-7
DRIVE	8-9
STEERING WHEEL	10-11
SEAT/DECALS	12-13
ENGINE	14
MOWER LIFT LEVER	15
MOWER DECK	16-17
TRANSAXLE	18-19

TRACTOR - - MODEL NUMBER WEX18H46B

SCHEMATIC



IGNITION SWITCH

POSITION	CIRCUIT	"MAKE"
OFF	G + M + L	NONE
RUN/LIGHT	B + L	A + Y
RUN	B + L	NONE
START	B + L + S	NONE

NOTE
 YOUR TRACTOR IS EQUIPPED WITH A SPECIAL ALTERNATOR SYSTEM. THE LIGHTS ARE NOT CONNECTED TO THE BATTERY, BUT HAVE THEIR OWN ELECTRICAL SOURCE. BECAUSE OF THIS, THE BRIGHTNESS OF THE LIGHTS WILL CHANGE WITH ENGINE SPEED. AT IDLE THE LIGHTS WILL DIM. AS THE ENGINE IS SPEEDED UP, THE LIGHTS WILL BECOME THEIR BRIGHTEST.

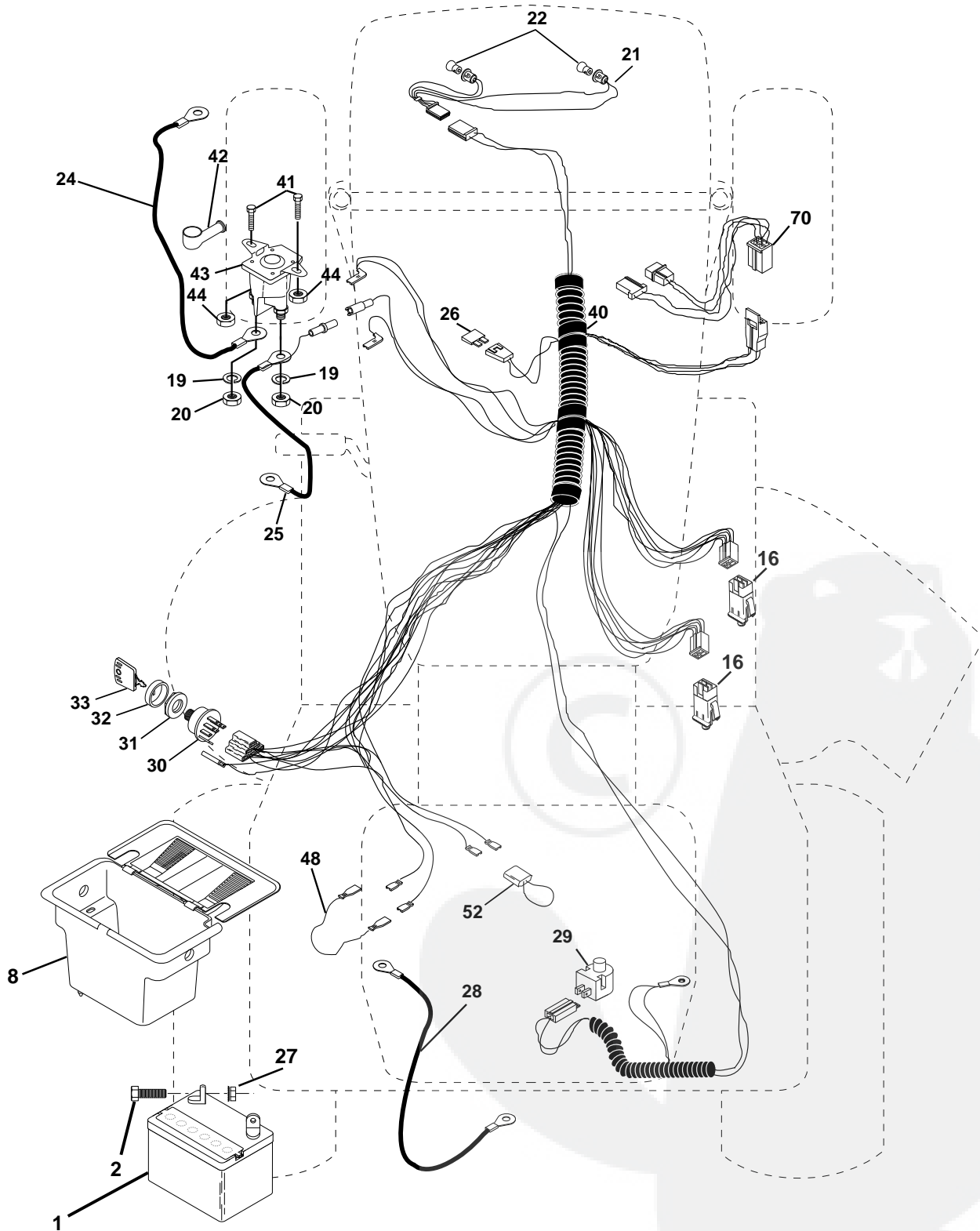
WIRING INSULATED CLIPS

NOTE: IF WIRING INSULATED CLIPS WERE REMOVED FOR SERVICING OF UNIT, THEY SHOULD BE REPLACED TO PROPERLY SECURE YOUR WIRING.

REPAIR PARTS

TRACTOR -- MODEL NUMBER WEX18H46B

ELECTRICAL



REPAIR PARTS

TRACTOR - - MODEL NUMBER WEX18H46B

ELECTRICAL

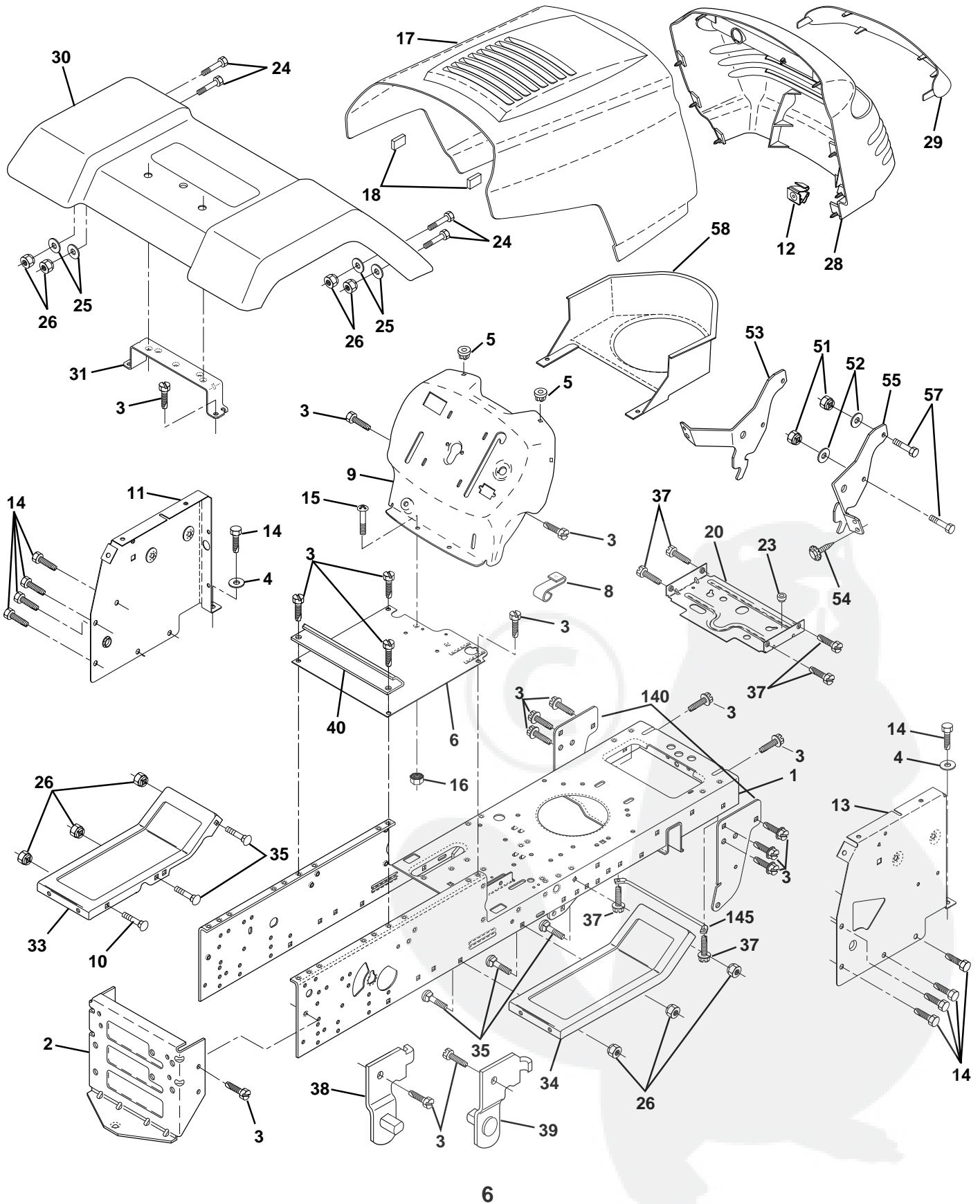
KEY NO.	PART NO.	DESCRIPTION
1	163465	Battery 12 Volt 28 Amp
2	74760412	Bolt Hex Hd 1/4-20unc X 3/4
8	156417	Case Battery
16	153664	Switch Interlock Push -In
19	10090400	Washer Lock 1/4
20	73350400	Nut Jam Hex 1/4-20 Unc
21	136850	Harness Asm Light W/4152J
22	4152J	Bulb Light #1156
24	4799J	Cable Battery 6 Ga 11"red
25	146147	Cable Battery 6 Ga w/16 wire,red
26	108824X	Fuse 30 AMP Auto Green
27	73510400	Nut Keps Hex 1/4-20 Unc
28	4207J	Cable Ground 6 Ga 12" black
29	121305X	Switch Plunger Nc Gray
30	140301	Switch Ign 4 Position
31	124211X	Nut Ignition
32	141226	Cover Sw Ignition
33	122147X	Key Ign
40	156442	Harness Ign
41	71110408	Bolt Blk Fin Hex 1/4-20 X 1/2
42	131563	Cover Terminal Red
43	145673	Solenoid
44	73640400	Nut Keps Blk Hex 1/4-20 unc
48	140844	Adapter Ammeter Rectangular
52	141940	Protection Wire Loop
70	140422	Harness Eng B&S Dual 14 Ohv

NOTE: All component dimensions give in U.S. inches
1 inch = 25.4 mm.

REPAIR PARTS

TRACTOR -- MODEL NUMBER WEX18H46B

CHASSIS AND ENCLOSURES



REPAIR PARTS

TRACTOR - - MODEL NUMBER WEX18H46B

CHASSIS AND ENCLOSURES

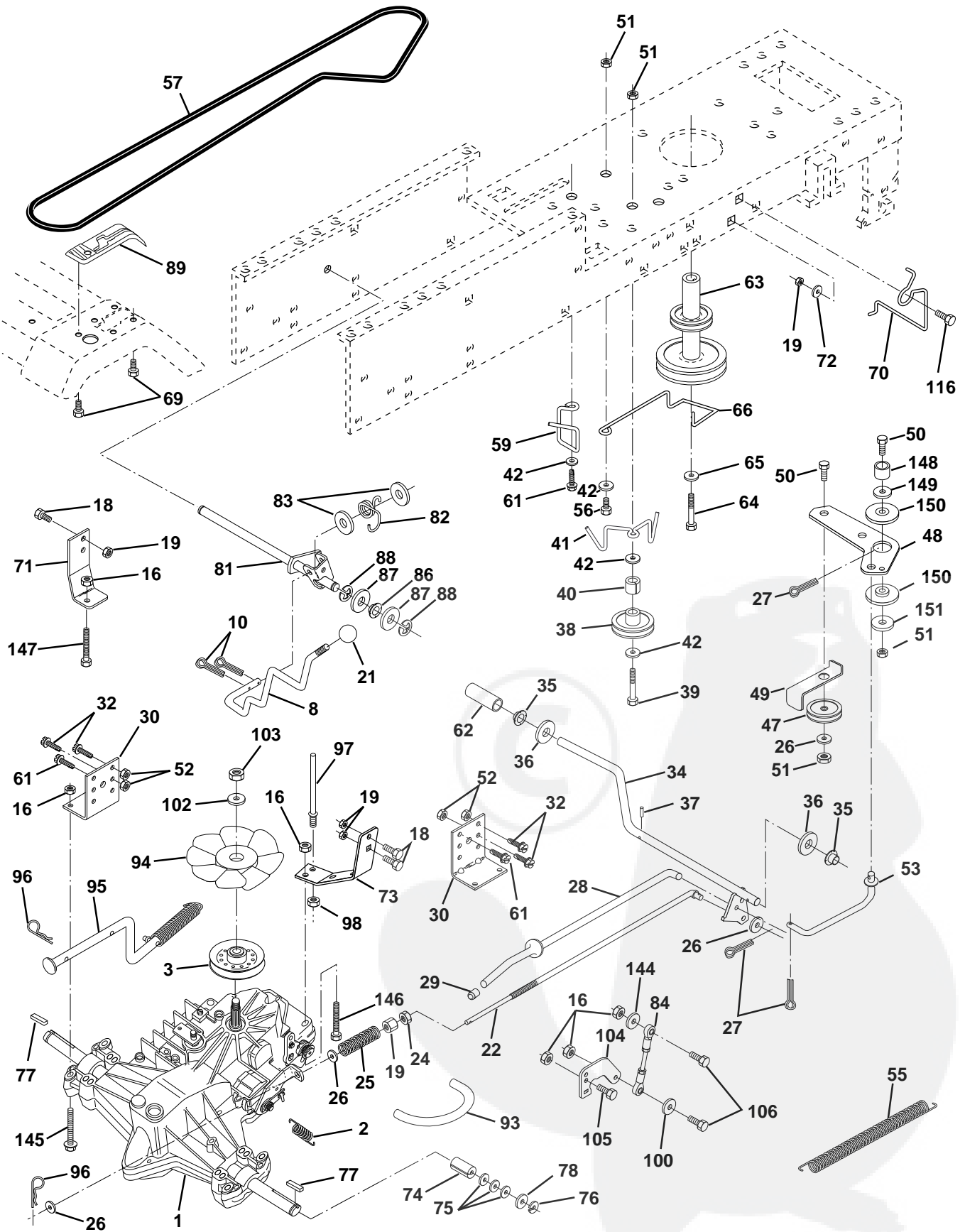
KEY PART NO.	NO.	DESCRIPTION
1	160393	Chassis Lt Stamping 98
2	140356	Drawbar Stretch 94
3	17490612	Screw Thdrol. 3/8-16 x 3/4 Ty-Tt
4	19131216	Washer 13/32 x 3/4 x 16 Ga.
5	155272	Bumper Hood/Dash
6	155923	Saddle Fender Shift Flat Lt
8	155138	Clip Retainer Slide-On
9	161937X011	Dash Private Label
10	72140608	Bolt RdHd Sqnk. 3/8-16 Unc x 1
11	155927	Panel Asm. Dash Lh
12	145660	Clip Tinnerman Grile P/L
13	155934X010	Panel Dash Rh
14	17490608	Screw Thdrol. 3/8-16 x 1/2 Ty-Tt
15	74180512	Screw Mach Trhd 5/16-18 Unc x 3/4
16	73510500	Nut Keps 5/16-18 Unc
17	159639X550	Hood Pnt Steel Private Label
18	126938X	Bumper Hood
20	156437	Plate Mtg. Battery/Fuel Tank
23	124028X	Bushing Snap Nyl Blk Fuel Line
24	74780616	Bolt Fin Hex 3/8-16 Unc x 1 Gr. 5
25	19131312	Washer 13/32 x 13/16 x 12 Ga.
26	73800600	Nut Lock Hex w/Insert 3/8-16 UNC
28	157373	Grill Private Lable Blk
29	140273	Lens Grille Private label
30	162454X550	Fender Asm
31	139976	Bracket Fender
33	145244X550	Footrest Pnt. Lh Ms-550
34	145243X550	Footrest Pnt. Rh Ms-550
35	72110606	Bolt RdHd Sht. Sqnk. 3/8-16 x 3/4
37	17490508	Screw Thdrol 5/16-18 x 1/2
38	139886	Bracket Asm. Pvt. Lh Mwr. Rear
39	139887	Bracket Asm. Pvt. Rh Mwr. Rear
40	139977	Spacer Fender Raised
51	73800400	Nut Lock Hex W/Ins. 1/4-20
52	19091416	Washer 9/32 x 7/8 x 16 Ga.
53	144697	Bracket Grille LH
54	161464	Screw Hex Wshd 8-18 x 7/8
55	144696	Bracket, Grille RH
57	74780412	Bolt Fin Hex 1/4-20 x .75
58	162266	Intake Air BS Intek Twin
140	158418	Bracket Suspension Front
145	156524	Rod Pivot Chassis/Hood
--	5479J	Plug Btn Blk

NOTE: All component dimensions given in U.S. inches
1 inch = 25.4 mm

REPAIR PARTS

TRACTOR -- MODEL NUMBER WEX18H46B

DRIVE



REPAIR PARTS

TRACTOR - - MODEL NUMBER WEX18H46B

DRIVE

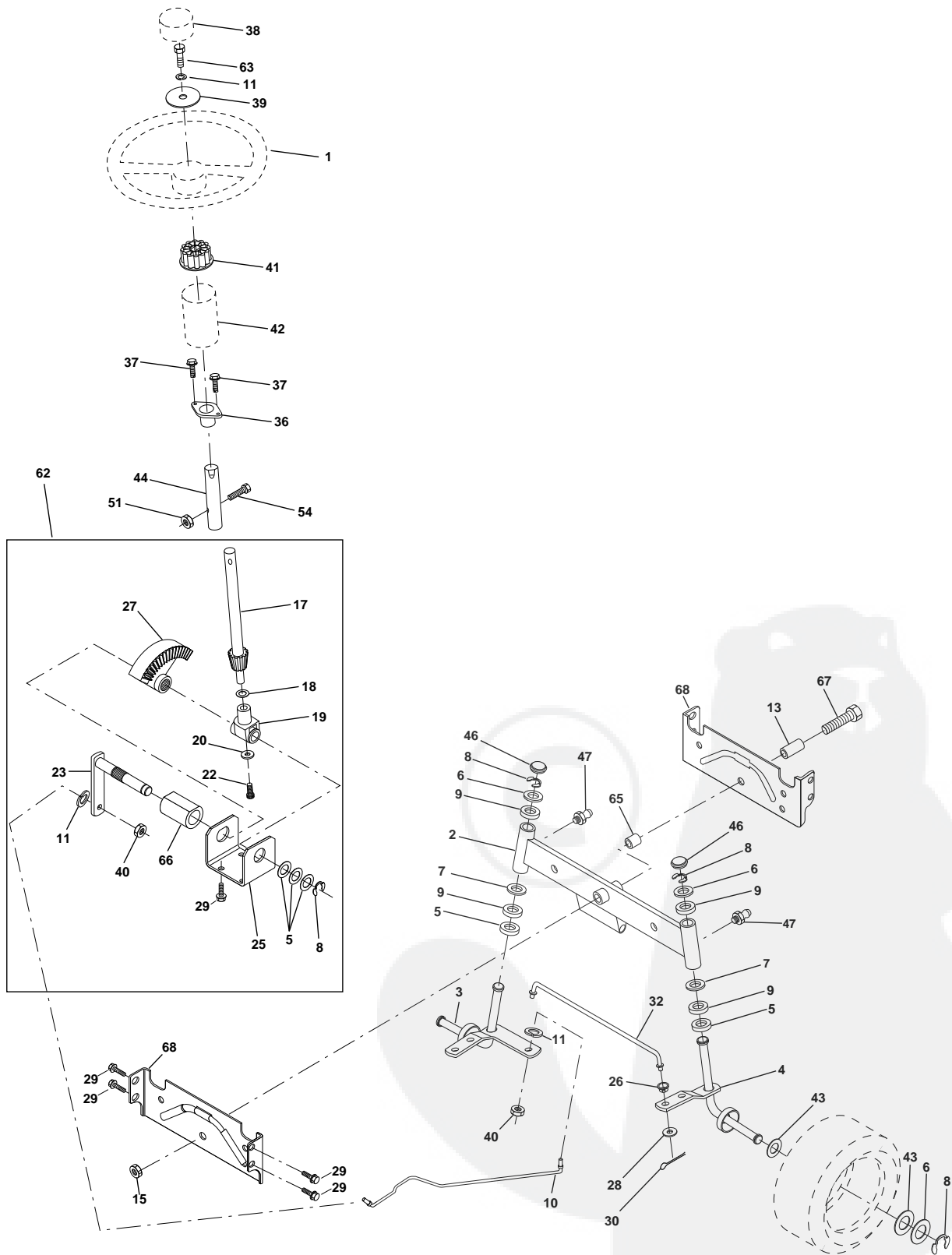
KEY NO.	PART NO.	DESCRIPTION	KEY NO.	PART NO.	DESCRIPTION
1	150071	Transaxle (See Breakdown)	65	10040700	Washer
2	142431	Hydro Gear Model 319-0650	66	154778	Keeper Belt Engine
3	143995	Spring, Return, Brake	69	142432	Screw
8	141003	Pulley, Transaxle	70	156470	Keeper Belt Engine
10	76020416	Rod Shift Hydro LT	71	140158	Strap Torque Lh Hydro
16	73800500	Pin Cotter 1/8 x 1 CAD	72	19132012	Washer 13/32 x 1-1/4 x 12 Gauge
18	74780616	Nut Lock Hex W/Ins 5/16-18 Unc P	73	156347	Strap Torque Rh Hydro
19	73800600	Bolt Fin Hex 3/8-16 Unc x 1 Gr. 5	74	121199X	Spacer, Split
21	106933X	Nut Lock Hex W/Wsh 3/8-16 Unc	75	121749X	Washer 25/32 x 1-1/4 x 16 Gauge
22	145627	Knob, Round 1/2-13	76	12000001	E-Ring
24	73350600	Rod, Brake Hydro	77	123583X	Key, Square
25	106888X	Nut	78	121748X	Washer 25/32 x 1-5/8 x 16 Gauge
26	19131316	Spring, Brake Rod	81	156046	Shaft Asm. Cross Hydro
27	76020412	Washer	82	123782X	Spring Torsion T/A
28	145204	Pin Cotter 1/8 x 3/4 CAD.	83	19171216	Washer 17/32 x 3/4 x 16 Ga.
29	71673	Rod, Parking Brake	84	161901	Rod, Tie
30	130807	Cap, Parking Brake	86	157480	Bushing
32	74760512	Bracket, Transaxle	87	19212016	Washer 21/32 x 1-1/4 x 16 Ga.
34	155071	Bolt Hex Hd 5/16-18 Unc x 3/4	88	12000008	Ring Klip #5304-62
35	120183X	Shaft, Foot Pedal	89	164893X428	Console, Hydro
36	19211616	Bearing, Nylon	93	142564	Line Fuel Hydro 4"
37	1572H	Washer	94	140462	Fan, Hydro 7"
38	131494	Pin, Roll	95	144643	Control Asm Bypass Hydro
39	74760644	Pulley, Idler, Flat	96	4497H	Retainer Spring 1" Zinc/Cad
40	4470J	Bolt	97	140469	Keeper Belt Rh Hydro 0750. 18/20"
41	165838	Spacer, Split	98	73510600	Nut Keps Hex 3/8-16 Unc
42	19131312	Keeper, Belt Idler	100	19111216	Washer 11/32 x 3/4 x 16 Ga.
47	127783	Washer 13/32 x 13/16 x 12 Gauge	102	141322	Washer Belville .501D x 1.50D
48	154407	Pulley, Idler, V-Groove	103	73940800	Nut, Hex, Jam Toplock 1/2-20 UNF
49	123205X	Bellcrank Clutch Grnd Drv STL	104	140156	Arm, Control Hydro
50	74760624	Retainer, Belt	105	71070516	Screw Cap Hex 5/16 x 18 x 1
51	73680600	Bolt	106	74780520	Bolt Fin Hex 5/16-18 Unc x 1-1/4
52	73680500	Nut Crownlock 3/8-16 UNC	116	72110610	Bolt Rdhd Sq Neck 3/8-16 x 1.25
53	105710X	Nut Crownlock 5/16-18 UNC	144	19111016	Washer 11/32 x 5/8 x 16 Ga.
55	105709X	Link, Clutch	145	74490540	Bolt, Hex FLGHD 5/16-18 Gr. 5
56	74760620	Spring, Return, Clutch	146	74490536	Bolt Hex Flghd 5/16-18 x 2-1/4
57	140294	Bolt Fin Hex 3/8-16 UNC x 1-1/4	147	74490524	Bolt Hex Flghd 5/16-18 x 1-1/2
59	140312	V-Belt, Ground Drive	148	159103	Spacer
61	17490612	Keeper, Center Span	149	122052X	Spacer Retainer Pm Mower
62	8883R	Screw Thdrol. 3/8-16 x 3/4 Ty. TT	150	150935	Bushing Nylon Collered
63	140186	Cover, Pedal	151	19133210	Washer 13/32 x 2 x 10 Ga.
64	71170764	Pulley, Engine			
		Bolt, Hex			

NOTE: All component dimensions given in U.S. inches
1 inch = 25.4 mm

REPAIR PARTS

TRACTOR -- MODEL NUMBER WEX18H46B

STEERING ASSEMBLY



REPAIR PARTS

TRACTOR - - MODEL NUMBER WEX18H46B

STEERING ASSEMBLY

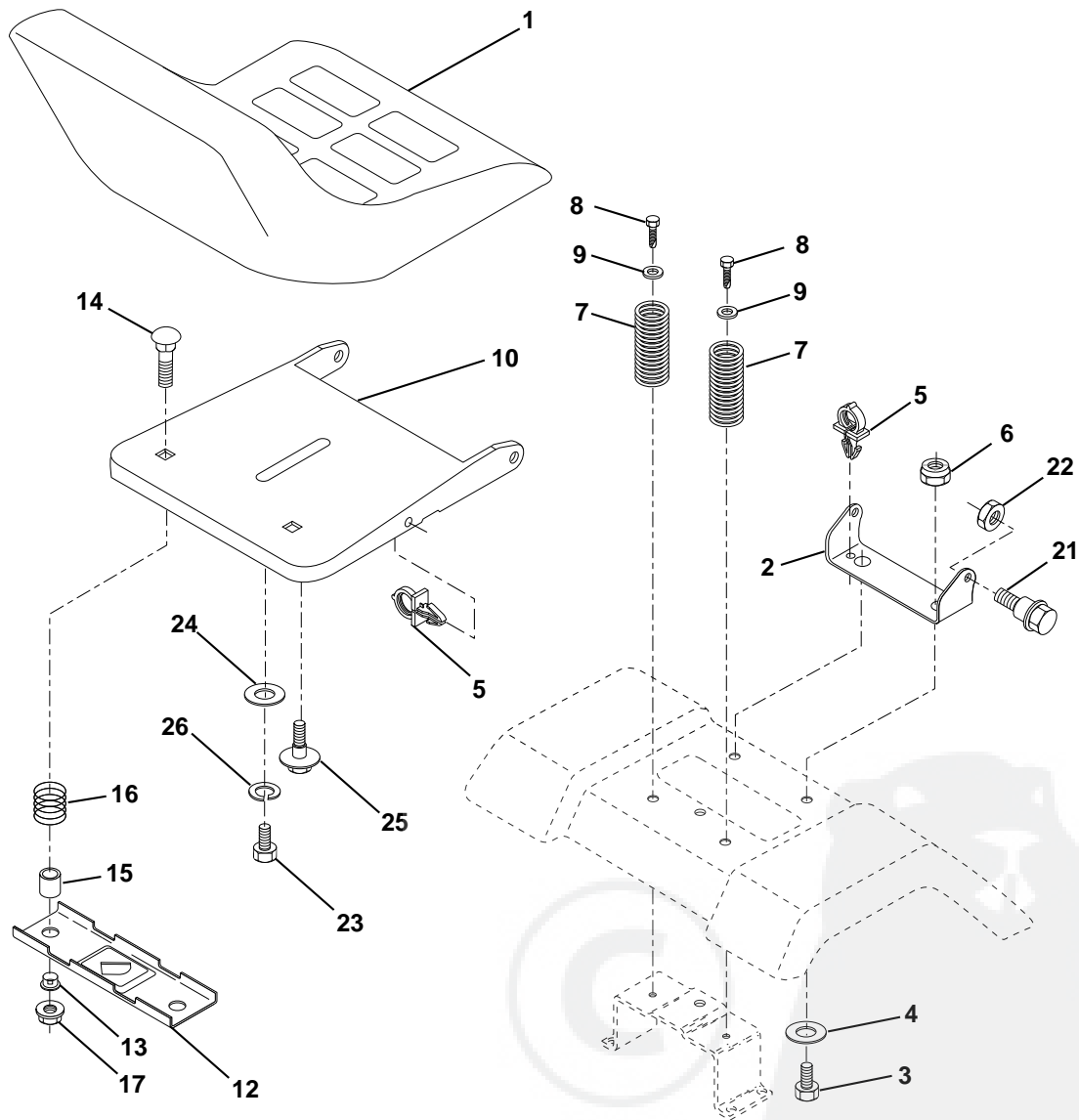
KEY NO.	PART NO.	DESCRIPTION
1	140044	Wheel Steering
2	154427	Axle Asm Front
3	156483	Spindle Asm Lh
4	157473	Spindle Asm Rh
5	6266H	Bearing Race Thrust Harden
6	121748X	Washer 25/32 X 1 5/8 X 16ga
7	19272016	Washer 27/32 X 1 1/4 X 16 Ga
8	12000029	Ring Klip #t5304-75
9	3366R	Bearing Col Strg Blk
10	156438	Link Drag Extended
11	10040600	Lockwasher
13	154779	Spacer Bearing Axle Front
15	73901000	Locknut Flange 5/8-11 Unc
17	156546	Shaft Asm Strg
18	57079	Washer Thrust 515x 750x 033
19	124035X	Support Shaft
20	126684X	Washer Shim 1/4 X 5/8 X 062
22	71200410	Screw Hex Socket 1/4-20 x 5/8
23	127501	Shaft Asm Pittman
25	154406	Bracket Steering
26	126847X	Bushing Rod Tie Blk Lt
27	136874	Gear Sector
28	19131416	Washer 13/32 X 7/8 X 16ga
29	17490612	Screw Thdrol 3/8-16x3/4 Ty-tt
30	76020412	Pin
32	130465	Rod Tie Wire Form 19 75 Mech
36	155099	Bushing Strg 5/8 Id Dash
37	152927	Screw TT #10-32 x 5 x 3/8 Flange
38	140045	Insert Cap Strg
39	19133808	Washer 13/32 X 2-3/8 X 8 Ga
40	7810H	Locknut Center
41	100711L	Adaptor Wheel Strg
42	145054	Boot Shaft Steering
43	121749X	Washer 25/32 X 1 1/4 X 16 Ga
44	153720	Extension Steering Non-Adjust
46	121232X	Cap Spindle Fr Top Blk
47	6855M	Fitting Grease
51	73800500	Nut Lock Hex w/Ins 5/16-18 Unc
54	74780520	Bolt Fin Hex 5/16-18 Unc x 1-1/4
62	156594	Kit Steering Assembly Service
63	74780616	Bolt Fin Hex 3/8-16 Unc x 1 Gr. 5
65	154780	Spacer Axle
66	154404	Bearing Arm Pittman
67	74781044	Bolt Fin Hex 5/8-11 UNC x 2-3/4
68	154429	Brace Axle

NOTE: All component dimensions given in U.S. inches
1 inch = 25.4 mm

REPAIR PARTS

TRACTOR -- MODEL NUMBER WEX18H46B

SEAT ASSEMBLY



KEY NO.	PART NO.	DESCRIPTION
1	127440	Seat
2	140551	Bracket Pnt Pivot Seat (blk)
3	74760616	Bolt
4	19131610	Washer 13/32 X 1 X 10 Ga
5	145006	Clip Push-In Hinged
6	73800600	Nut
7	124181X	Spring Seat Cprsn 2 250 Blk Zi
8	17490616	Screw Thdrol 3/8-16 X 1 Ty-tt
9	19131614	Washer 13/32 X 1 X 14 Ga
10	155925	Pan Pnt Seat (blk)
12	121246X	Bracket Pnt Mounting Switch
13	121248X	Bushing Snap Blk Nyl 50 Id

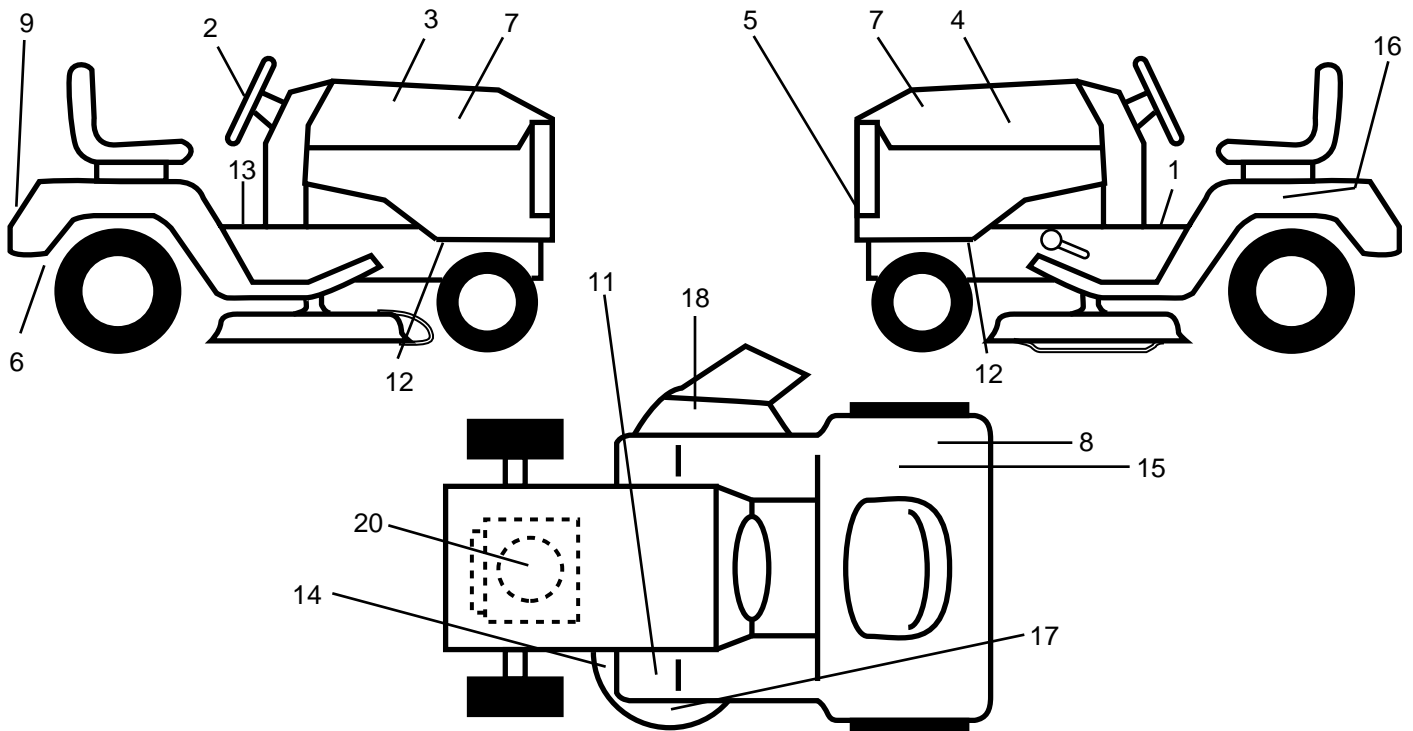
KEY NO.	PART NO.	DESCRIPTION
14	72050412	Bolt Rdhd Sht Nk 1/4-20x1-1/2
15	121249X	Spacer Split 28 X 88 Yel Zinc
16	123740X	Spring Cprsn
17	123976X	Nut Lock 1/4 Lge Flg Gr 5 Zinc
21	153236	Bolt Shoulder 5/16-18 Unc Blkz-2A
22	73800500	Nut
23	74780814	Bolt Fin Hex 1/2-13 X 7/8 Gr 5
24	19171912	Washer 17/32 X 1-3/16 X 12 Ga
25	127018X	Bolt Shoulder 5/16-18 X 62
26	10040800	Lockwasher

NOTE: All component dimensions given in U.S. inches
1 inch = 25.4 mm

REPAIR PARTS

TRACTOR - - MODEL NUMBER WEX18H46B

DECALS



KEY NO.	PART NO.
1	145498
2	162398
3	164123
4	164124
5	162392
6	142341
7	164022
8	126187X
9	162395
11	159737
12	159736
13	140837

DESCRIPTION

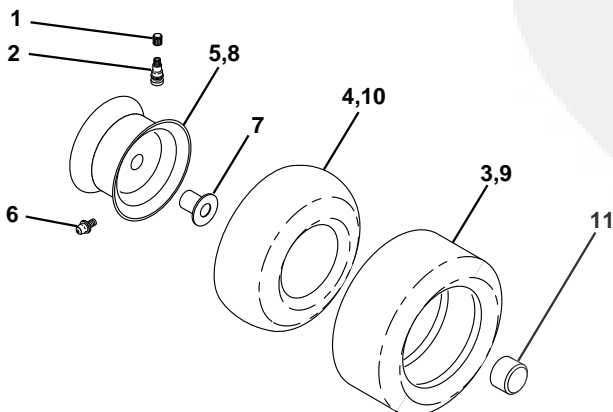
Decal Read Owners Manual
 Decal Ins Strg Wh
 Decal Hood Rh
 Decal Hood Lh
 Decal Grille Lens
 Decal Drawbar Cntrl Mvt Hyd Lt
 Decal Panel Side
 Decal 100 DBA
 Decal Fender Logo
 Decal Clutch/brake
 Decal Chassis Hot Muffler
 Decal Saddle Brake Parkins

KEY NO.	PART NO.
14	139346
15	145437
16	145005
17	162391
18	145494
20	165398
--	162598
--	138311
--	157199
--	166259
--	166260
--	166261

DESCRIPTION

Decal V-belt Schematic
 Decal Europe Stand CE
 Decal Battery Danger/Poison
 Decal Deck Grasseater
 Mower Cut Finger
 Decal HP Engine
 Decal Drawbar Load Limit
 Decal Lift Handle
 Pad Footrest
 Manual Operators Euro
 Manual Operators Scan
 Manual Parts

WHEELS & TIRES



KEY NO.	PART NO.
1	59192
2	65139
3	106222X
4	59904
5	106732X427
6	278H
7	9040H
8	106108X427
9	122082X
10	7152J
11	104757X
--	144334

DESCRIPTION

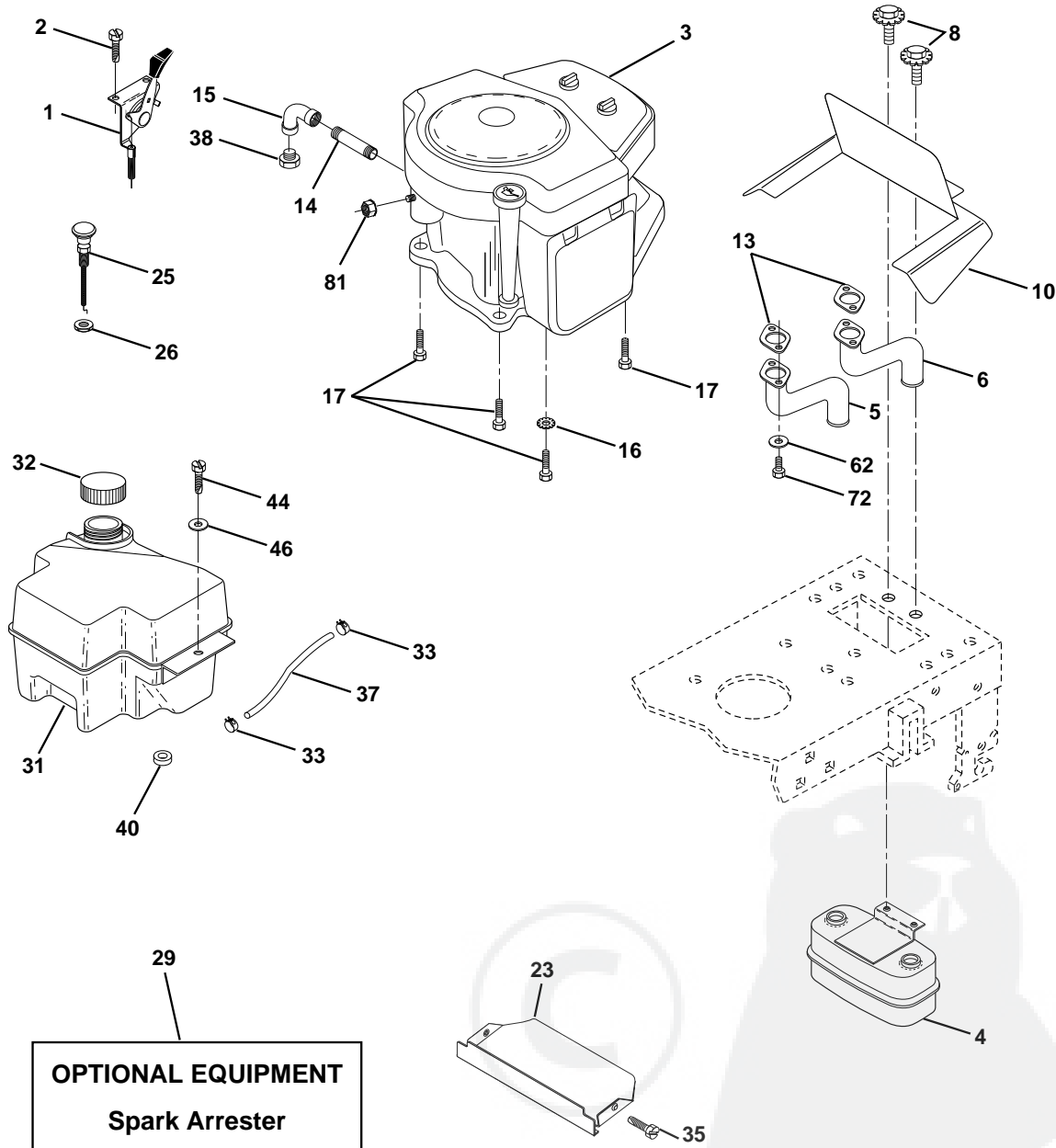
Cap Valve Tire
 Stem Valve
 Tire F Ts 15 x 6 0 - 6 Service
 Tube Front (Service Item Only)
 Rim Asm 6" front White Service
 Fitting Grease (Front Wheel Only)
 Bearing Flange (Front Wheel Only)
 Rim Asm 8" rear White Service
 Tire R Ts 20 x 10-8 C Service
 Tube Rear (Service Item Only)
 Cap Axle Blk 1 50 x 1 00
 Sealant, Tire (10 oz. Tube)

NOTE: All component dimensions given in U.S. inches
 1 inch = 25.4 mm

REPAIR PARTS

TRACTOR -- MODEL NUMBER WEX18H46B

ENGINE



OPTIONAL EQUIPMENT
Spark Arrester

KEY NO.	PART NO.	DESCRIPTION
1	148875	Control Throt 36 Lh Flag
2	17720410	Screw Hex Thd Cut 1/4-20x5/8 T
3	-----	Engine (See Breakdown) B&S Model 407777
4	149723	Muffler Exhaust
5	159955	Exhaust Asm. Left
6	160589	Exhaust Asm. Right
8	150176	Bolt 5/16-18unc x 3/4 w/sems
10	162797	Shield Browning B&S Intek II
13	165391	Gasket Muffler
14	13280336	Nipple Pipe 4-1/2"
15	13200300	Elbow Std 90 Degree 3/8-18 Npt
16	11050600	Washer Lock Ext Tooth 3/8
17	17490624	Screw Thdrol 3/8-16x1-1/2 Tytt
23	159880	Shield Brn/Dbr Guard
25	145996	Control Choke

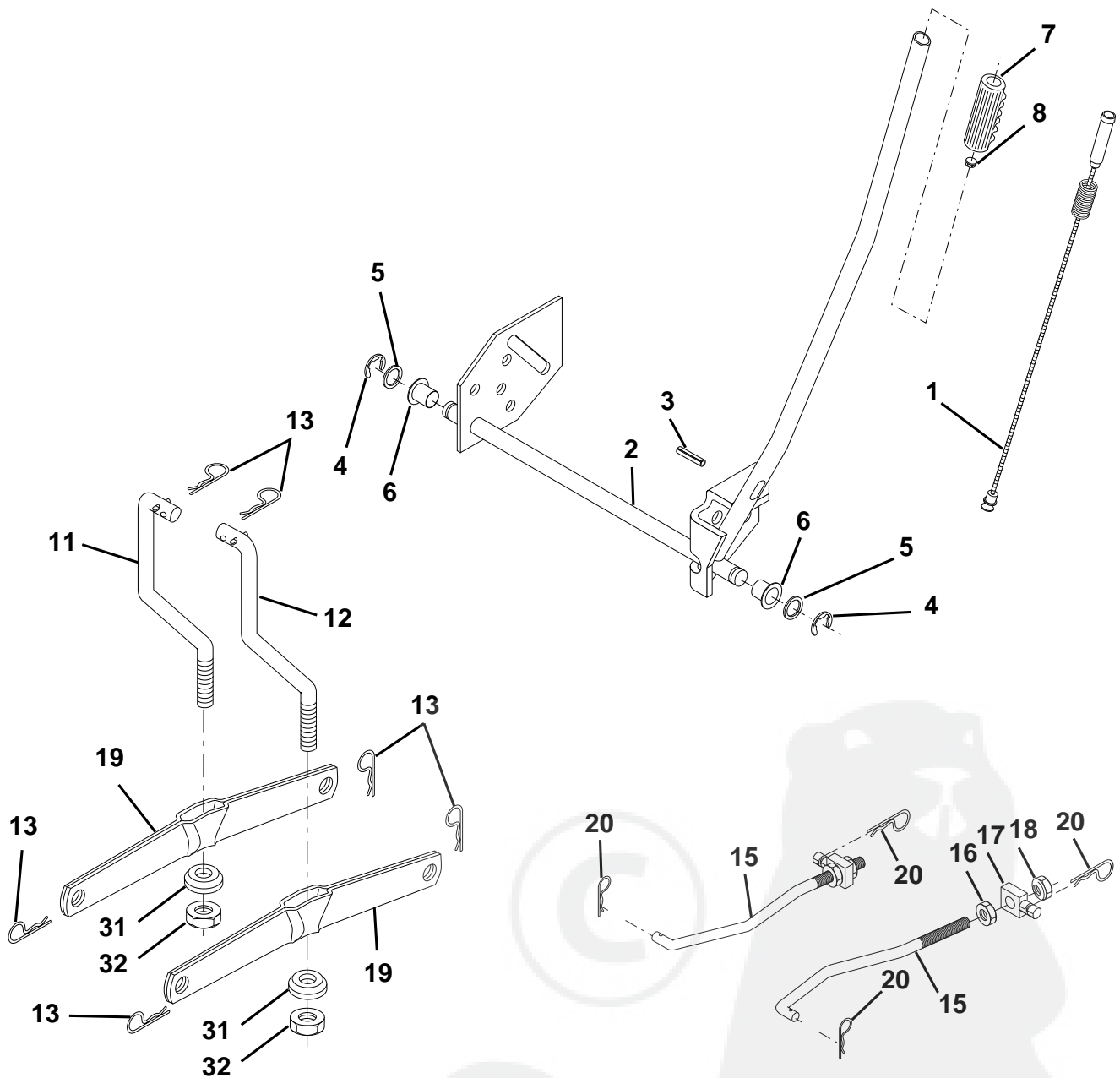
KEY NO.	PART NO.	DESCRIPTION
26	73920600	Nut Keps 3/8-24 UNF
29	137180	Arrestor Spark
31	161911	Tank Fuel Front 2.00
32	140527	Cap Fuel
33	123487X	Clamp Hose Blk
35	17490512	Screw Thdrol 5/16-18 x 3/4
37	137040	Line Fuel
38	-----	Plug Oil Drain (Order From Engine Manufacturer)
40	124028X	Bushing
44	17490412	Screw Hex wsh Thdrol 1/4-20 x 3/4
46	19091416	Washer 9/32 x 7/8 x 16 Ga.
62	10040500	Wash Lock Hvy Hlcl Spr 5/16
72	71070512	Screw Hex Hd Cap 5/16-18 x 3/4
81	128861	Nut Flange 1/4-20 Starter Nut

NOTE: All component dimensions given in U.S. inches
1 inch = 25.4 mm

REPAIR PARTS

TRACTOR - - MODEL NUMBER WEX18H46B

MOWER LIFT



KEY NO.	PART NO.	DESCRIPTION
1	159460	Wire Asm Inner/Spring w/Plngr Lt
2	159471	Shaft Asm Lift
3	105767X	Pin Groove
4	12000002	E Ring #5133-62
5	19211621	Washer 21/32 x 1 x 21 Ga.
6	120183X	Bearing Nylon
7	109413X	Grip Handle
8	124526X	Button Plunger
11	139865	Link Lift Lh
12	139866	Link Lift Rh
13	4939M	Retainer Spring

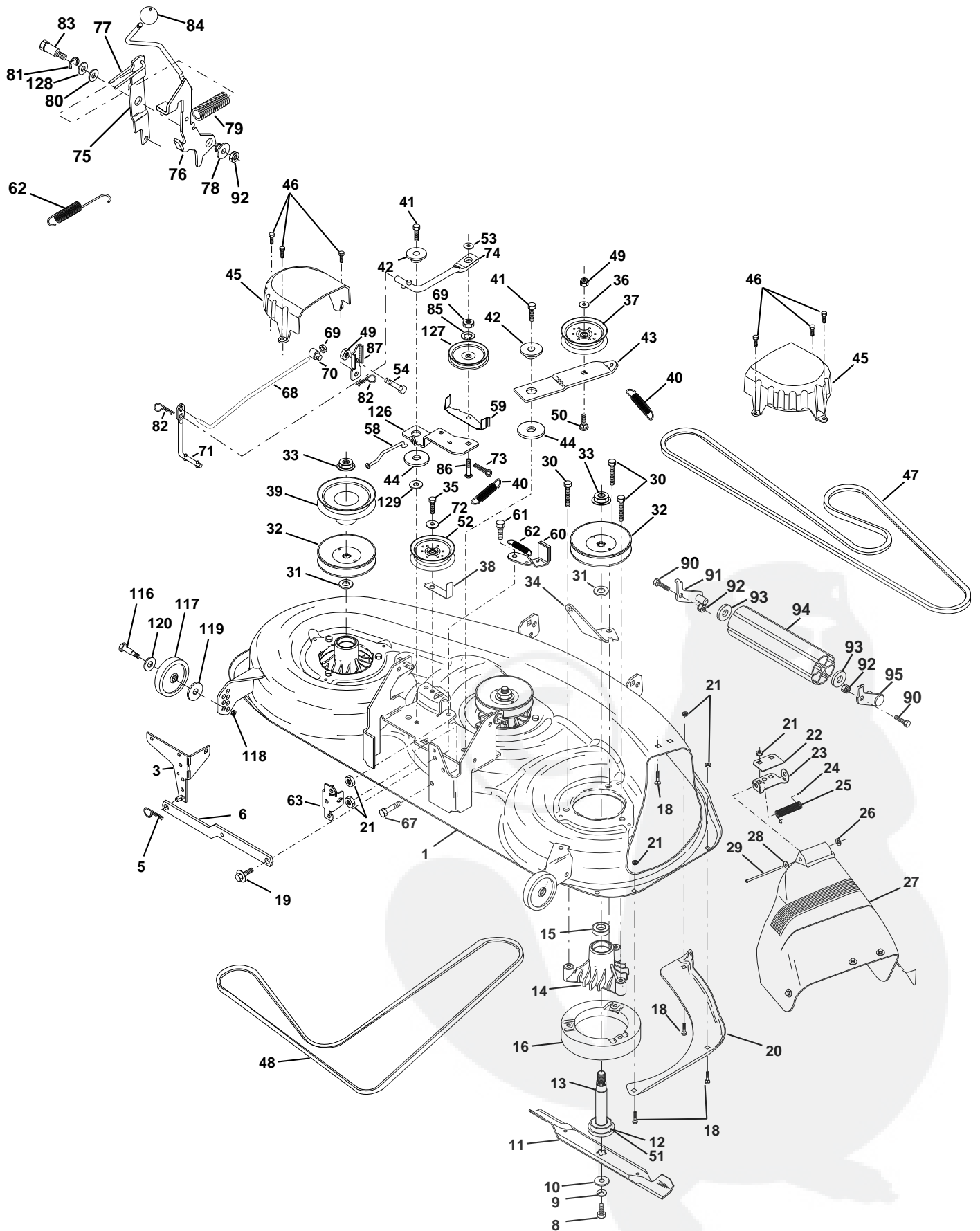
KEY NO.	PART NO.	DESCRIPTION
15	127218	Link Front
16	73350800	Nut Jam Hex 1/2-13 Unc
17	130171	Trunnion Blk Zinc
18	73680800	Nut Crownlock 1/2-13 Unc
19	139868	Arm Suspension Rear
20	163552	Retainer Spring
31	140302	Bearing Pvt Lift Spherical
32	73540600	Nut Crownlock 3/8-24

NOTE: All component dimensions given in U.S. inches
1 inch = 25.4 mm

REPAIR PARTS

TRACTOR -- MODEL NUMBER WEX18H46B

MOWER DECK



REPAIR PARTS

TRACTOR - - MODEL NUMBER WEX18H46B

MOWER DECK

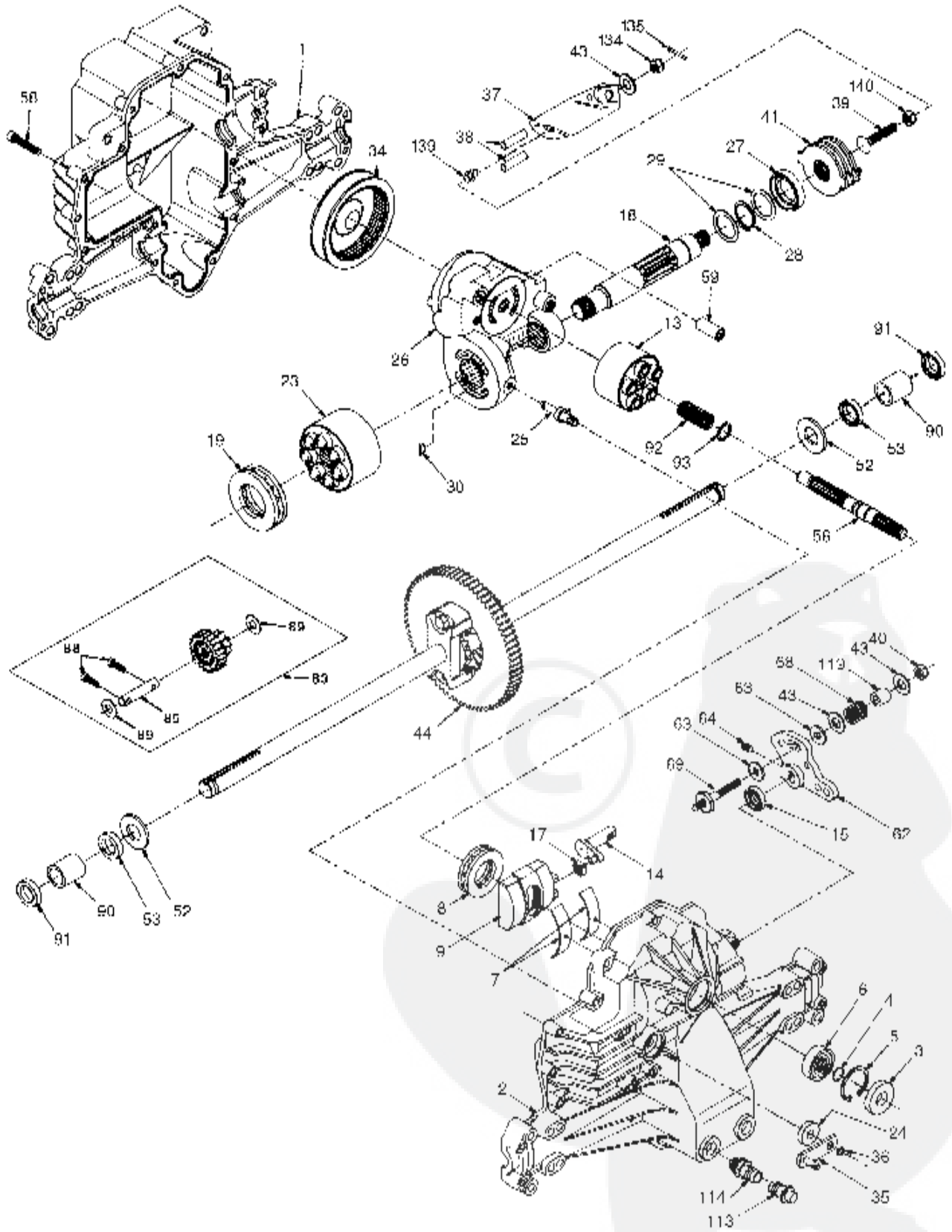
KEY NO.	PART NO.	DESCRIPTION	KEY NO.	PART NO.	DESCRIPTION
1	156948	Deck Asm., Mower 46"	52	156493	Pulley Idler
3	138457	Bracket Asm., Sway Bar	53	19131312	Washer 13/32 x 13/16 x 12 Ga.
5	4939M	Retainer Spring	58	156488	Link Brake 46"
6	130832	Arm, Suspension, Rear (Sway Bar)	59	157034	Guide Belt 46"
8	850857	Bolt, Patched 3/8-24 x 1-1/4 Gr. 8	60	156722	Arm Asm Brake
9	10030600	Washer, Lock Hvy., Unplated 3/8	61	161315	Bolt Shld 5/16-18 Ty TT
10	140296	Washer, Hard Blade, Mower Vented	62	131870	Spring Return
11	157033	Blade, 46" Mower Deck	63	156473	Bracket Clutch Rod Pivot
12	129895	Bearing, Ball, Mandrel #6204	67	74760512	Bolt Hex Hd 5/16-18 UNC x 3/4
13	137553	Shaft Asm. w/Lower Bearing (Includes Key No. 12)	68	156487	Rod Clutch
14	137152	Housing, Mandrel	69	73350600	Nut Hex Jam 3/8-16 UNC
15	110485X	Bearing, Ball, Mandrel	70	142028	Trunnion Adj
16	140329	Stripper, Mower Round	71	133551	Rod Pivot w/Nibs
18	72140505	Bolt, Carriage 5/16-18 x 5/8	72	19131316	Washer 13/32 x 13/16 x 16 Ga.
19	132827	Bolt, Hex Head, Shoulder 5/16-18	73	76020412	Pin Cotter 1/8 x 3/4
20	145055	Baffle, Vortex Mower 46"	74	156474	Link Clutch 46"
21	73680500	Nut, Crownlock 5/16-18 UNC	75	127847	Arm Clutch Secondary
22	134753	Stiffener, Bracket	76	160570	Lever Asm. Clutch Pri Plm Stlt
23	131267	Bracket, Deflector	77	127845	Keeper Spring
24	105304X	Cap, Sleeve	78	127498	Bushing .747 O.D. x .794 Lg Brass
25	149287	Spring, Torsion, Deflector	79	153701	Spring Mower Clutch
26	110452X	Nut, Push	80	121748X	Washer 25/32 x 1-5/8 x 16 Ga.
27	157788	Shield, Deflector Mower	81	12000029	Ring Klip
28	19111016	Washer 11/32 x 5/8 x 16 Ga.	82	4497H	Retainer Spring 1"
29	131491	Rod, Hinge	83	128903	Bolt Shoulder 3/8-16 UNC
30	157722	Screw Thd Rolling Washer Head	84	162132	Knob Rd 7/16-14 Plstc Thds
31	129963	Washer, Spacer Mower Vented	85	10040600	Washer Lock Hvy Hlcl Spr. 3/8
32	153531	Pulley, Mandrel	86	158565	Bolt Carr Sh 3/8-16 x 2 Gr. 5
33	137266	Nut, Flg. Top Lock Cntr. 9/16	87	158373	Bracket Extension
34	144945	Anchor, Spring Deck 46"	88	74780616	Bolt Fin Hex 3/8-16 UNC x 1 Gr. 5
35	17490628	Screw, Thdroll 3/8-16 x 1-3/4 Tytt	90	74760616	Bolt Fin Hex 3/8-16 x 1
36	19131316	Washer 13/32 x 13/16 x 16 Ga.	91	132274	Bracket Asm Noseroller Lh
37	131494	Pulley, Idler, Flat	92	73800600	Nut Lock Hex w/ Ins 3/8-16 UNC
38	156086	Keeper, Belt, Idler	93	19171416	Washer 17/32 x 7/8 x 16 Ga.
39	144917	Pulley, Idler, Driven	94	132264	Roller Nose 38/42
40	137273	Spring, Secondary 44/46/50 Vent	95	132273	Bracket Asm Noseroller Rh
41	17490620	Screw, Thdroll 3/8-16 x 1-1/4 Tytt	116	4898H	Bolt, Shoulder
42	122052X	Spacer, Retainer	117	105455X	Gauge Wheel, Narrow
43	144949	Arm, Idler Secondary	118	73930600	Nut, Centerlock 3/8-16 UNC
44	133943	Washer, Hardened	119	19121414	Washer 3/8 x 7/8 x 14 Ga.
45	145059	Cover, Mandrel Deck	120	19171512	Washer 17/32 x 15/16 x 12 Ga.
46	137729	Screw, Thdroll. 1/4-20 x 5/8	126	156472	Arm, Idler, Primary Deck 46"
47	144959	V-Belt, Mower, Secondary	127	146763	Pulley, Idler, V-Groove Dim. 4.25
48	158818	V-Belt, Mower, Primary	128	6266H	Washer Thrust .75 x 1.230
49	73680600	Nut, Crownlock 3/8-16 UNC	129	19133808	Washer 13.32 x 2-3/8 x 8 Ga.
50	72110612	Bolt, Carriage 3/8-16 x 1-1/2 Gr. 5	--	157162	Deck Complete (Std. Deck-Order separately gauge wheel components Key Nos. 116-118)
51	153390	Washer Felt	--	143651	Mandrel Asm Service

NOTE: All component dimensions given in U.S. inches
1 inch = 25.4 mm

REPAIR PARTS

TRACTOR - - MODEL NUMBER WEX18H46B

HYDRO GEAR TRANSAXLE - MODEL NUMBER 319-0650



REPAIR PARTS

TRACTOR - - MODEL NUMBER WEX18H46B

HYDRO GEAR TRANSAXLE - MODEL NUMBER 319-0650

KEY PART NO. NO.	DESCRIPTION	KEY PART NO. NO.	DESCRIPTION
1 142930	Housing, Lower	43 142884	Washer 7/16 x 7/8 x .060
2 142931	Assembly, Upper Housing	44 150829	Differential Assembly
3 142932	Seal, Lip	52 142991	Washer 3/4 x 1.5 x .13
4 142928	Ring, Wire Retaining	53 142961	Seal .75 x 1.25 x .250
5 142933	Ring, Retaining	56 142963	Shaft, Input
6 142934	Bearing, Shaft Ball	58 142964	Bolt 1/4-20 x 1.38
7 142935	Bearing, Cradle	59 142965	Pin .5 OD x .43 ID x .750
8 150771	Bearing, Thrust 30 x 52 x 13	62 142966	Arm, Control
9 142937	Swashplate, Variable	63 142967	Puck, Dampener
13 142938	Block, Cylinder Assembly	64 142920	Set Screw
14 142939	Arm, Trunnion	68 142969	Spring
15 142940	Seal, Lip	69 144610	Stud 5/16-24
17 142941	Guide, Slot	83 142971	Jackshaft Assembly
18 150772	Shaft, Motor	85 150806	Jackshaft
19 150773	Bearing, Thrust 42 x 68 x 16	88 142973	Screw, Cap
23 142944	Block, Cylinder Assembly	89 142974	Washer 7/16 x 1 x 1/2
24 142945	Seal, Lip 10 x 25 x 7	90 142975	Sleeve Bearing
25 142946	Actuator, Bypass	91 142976	Seal, Wiper
26 150774	Center Section Assembly Kit	92 142977	Spring, Block
27 142948	Seal, Lip 26 x 42 x 8	93 142978	Washer, Block Thrust
28 142949	Ring, Retaining	113 142917	Cap, Vent Assembly
29 142950	Washer 26 x 35 x 1	114 142918	Fitting, O-Ring Assembly
30 150787	Plate, Bypass	119 142980	Spacer
34 142951	Oil Filter Element	134 144607	Nut, Castle 5/16-24
35 142952	Arm, Bypass	135 144608	Pin, Cotter
36 142953	Ring, Retaining	139 150775	Spring, Compression
37 142954	Arm, Actuating	140 150776	Nut, Hex 5/16-24
38 142955	Pin, Actuating		
39 150777	Bolt 5/16-24 x 1-3/4		
40 150778	Locknut, Hex 5/16-24 UNJC		
41 142958	Brake Rotor/Stator Kit		

NOTE: All component dimensions given in U.S. inches
1 inch = 25.4 mm