



**REPAIR PARTS MANUAL**  
**MODEL NO. AK125H42B**  
**Lawn Tractor**

---

**Rally**

# HOW TO USE THIS MANUAL

This manual is designed to provide the customer with a means to identify the parts on his/her tractor when ordering repair parts. The illustrations may or may not represent the actual assemblies; therefore, it is not recommended to use this manual as a guide to assemble or disassemble the tractor. Some hardware and parts are drawn larger in order to more readily identify them.

Each tractor has its own model number.

The model number for your tractor can be found on the fender under the seat.

When ordering parts, always give the following information:

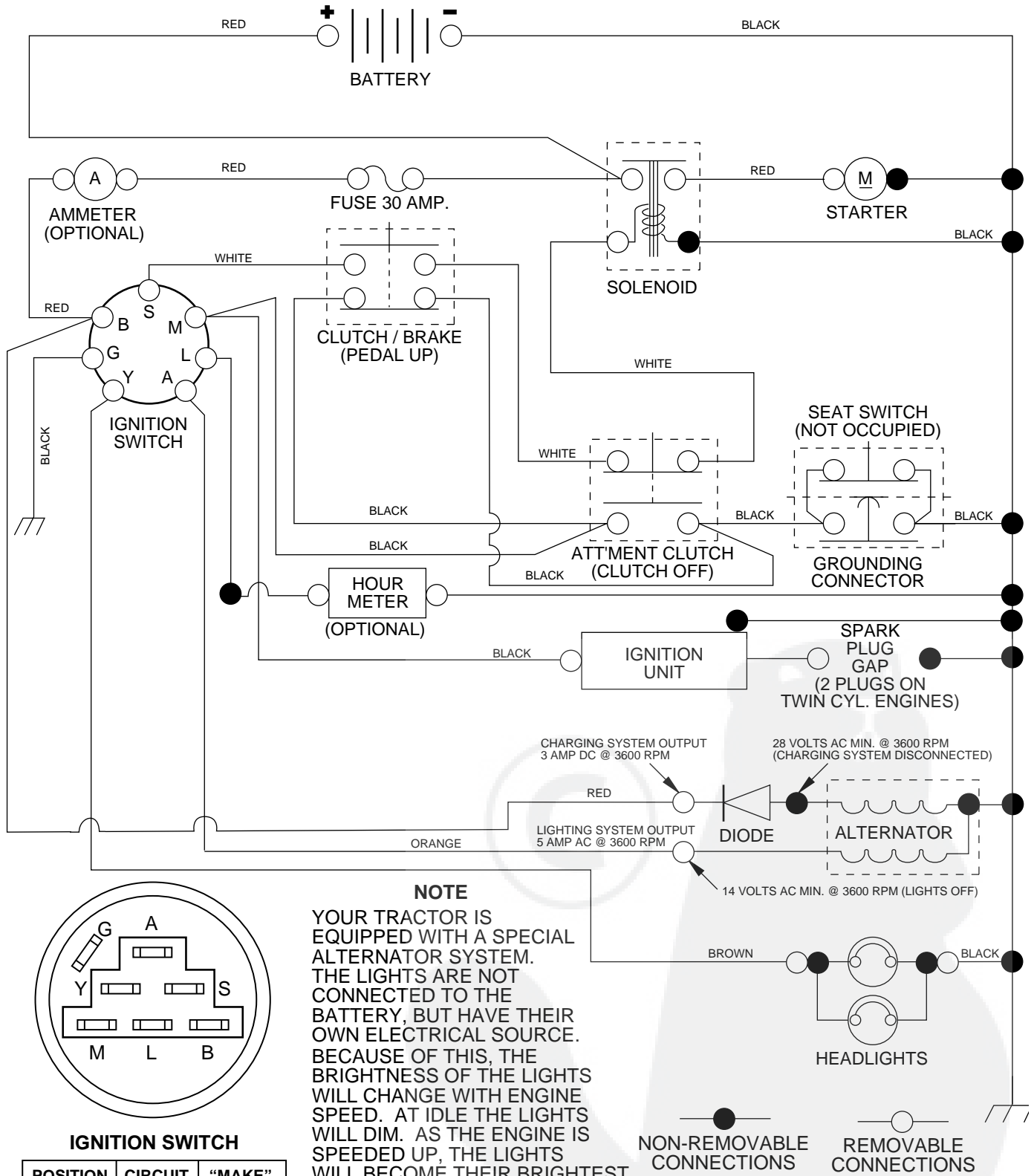
- Product - "Tractor"
- Model Number - "AK125H42B"
- Part Number
- Part Description

## TABLE OF CONTENTS

SCHEMATIC .....	3
ELECTRICAL .....	4-5
CHASSIS .....	6-7
DRIVE .....	8-9
STEERING WHEEL .....	10-11
SEAT .....	12
DECALS .....	13
ENGINE .....	14-15
MOWER LIFT LEVER .....	16-17
MOWER DECK .....	18-19
TRANSAXLE .....	20-21

# TRACTOR - - MODEL NUMBER AK125H42B

## SCHEMATIC



**NOTE**  
 YOUR TRACTOR IS EQUIPPED WITH A SPECIAL ALTERNATOR SYSTEM. THE LIGHTS ARE NOT CONNECTED TO THE BATTERY, BUT HAVE THEIR OWN ELECTRICAL SOURCE. BECAUSE OF THIS, THE BRIGHTNESS OF THE LIGHTS WILL CHANGE WITH ENGINE SPEED. AT IDLE THE LIGHTS WILL DIM. AS THE ENGINE IS SPEEDED UP, THE LIGHTS WILL BECOME THEIR BRIGHTEST.

### WIRING INSULATED CLIPS

**NOTE:** IF WIRING INSULATED CLIPS WERE REMOVED FOR SERVICING OF UNIT, THEY SHOULD BE REPLACED TO PROPERLY SECURE YOUR WIRING.

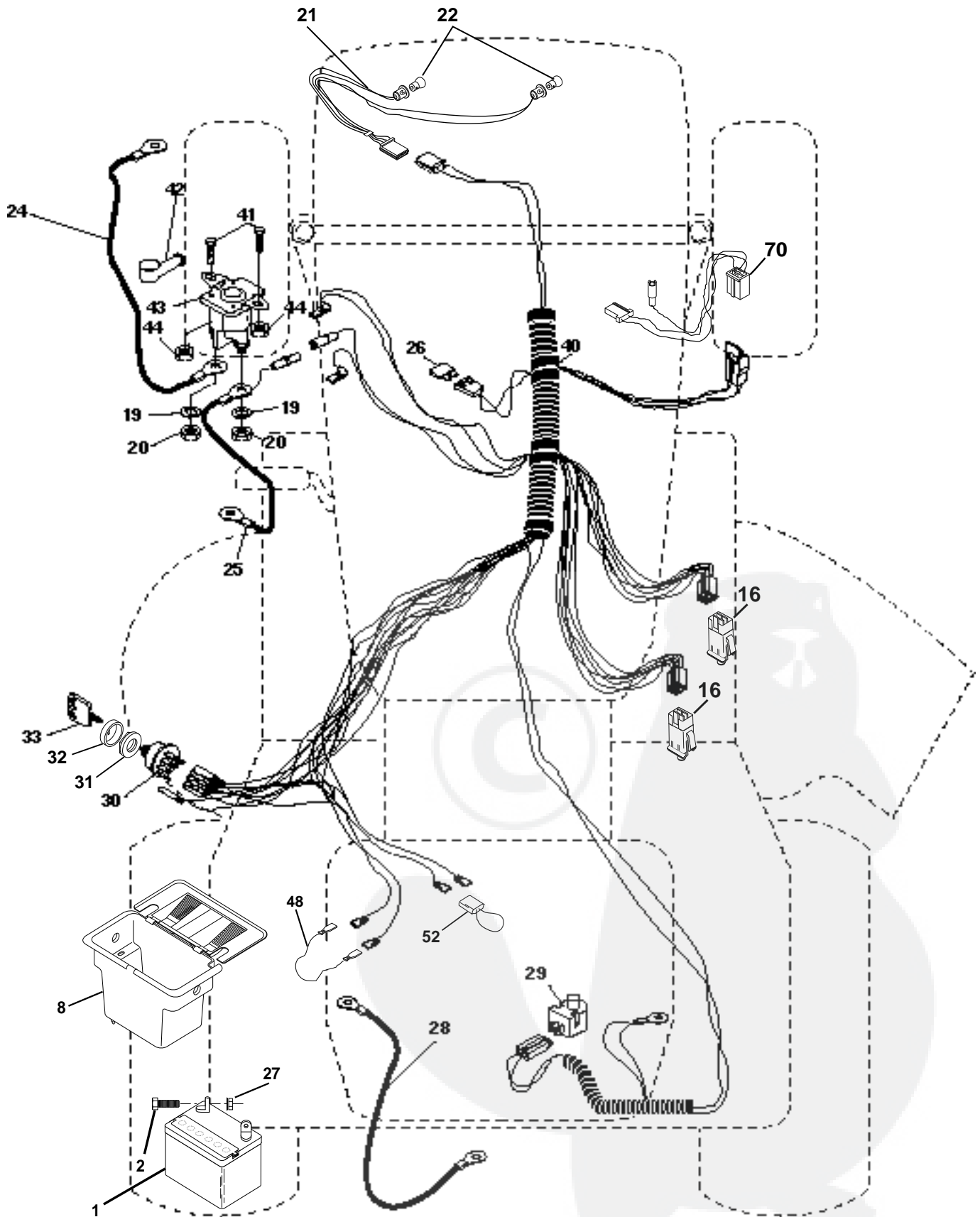
### IGNITION SWITCH

POSITION	CIRCUIT	"MAKE"
OFF	G + M + L	NONE
RUN/LIGHT	B + L	A + Y
RUN	B + L	NONE
START	B + L + S	NONE

# REPAIR PARTS

TRACTOR -- MODEL NUMBER AK125H42B

## ELECTRICAL



# REPAIR PARTS

## TRACTOR - - MODEL NUMBER AK125H42B

### ELECTRICAL

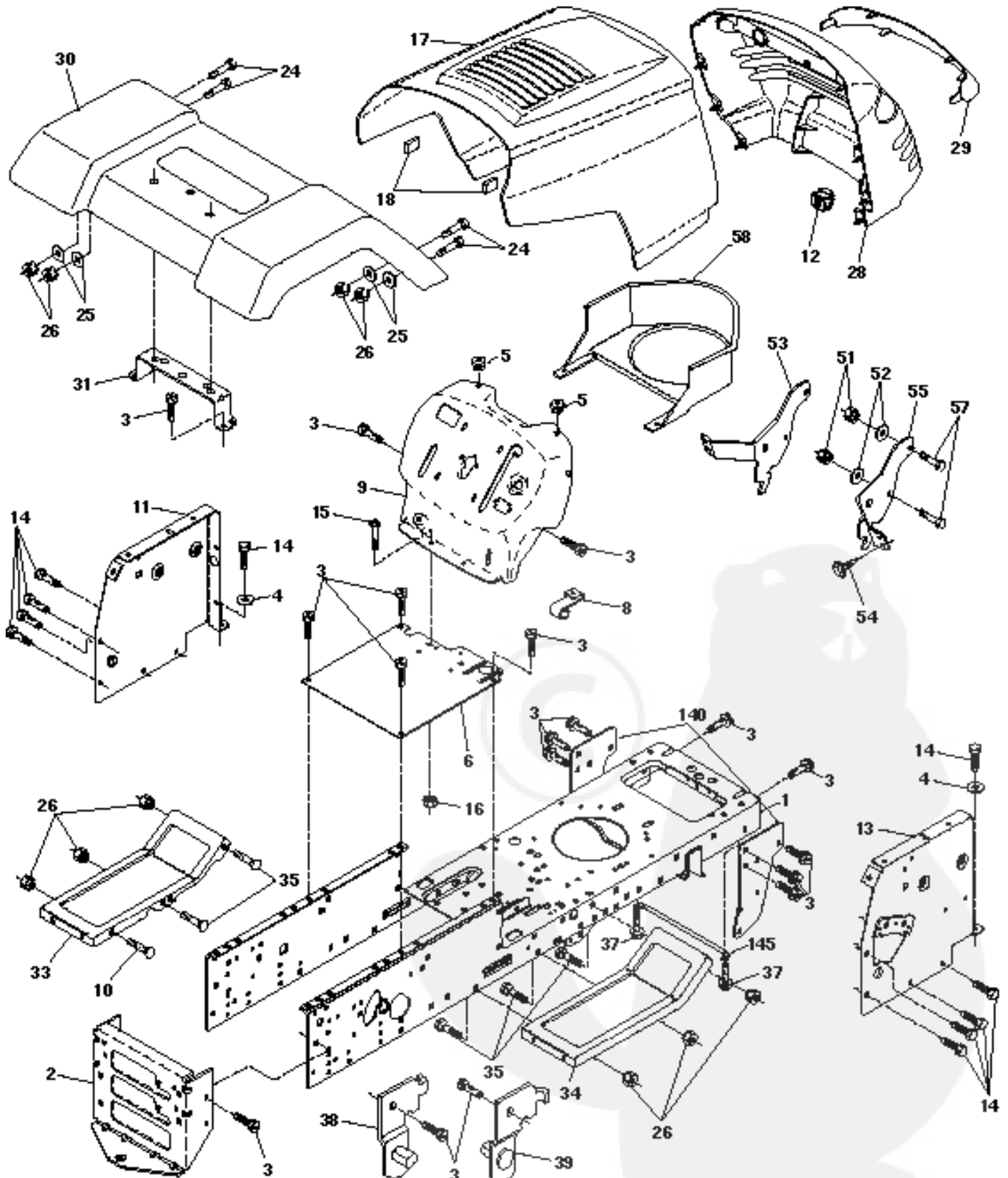
KEY NO.	PART NO.	DESCRIPTION
1	144925	Battery 12 Volt 25 AMP
2	74760412	Bolt Hex Hd 1/4-20unc X 3/4
8	156417	Case Battery
16	153664	Switch Interlock Push-In
19	10090400	Washer Lock 1/4
20	73350400	Nut Jam Hex 1/4-20 Unc
21	<b>166181</b>	Harness Asm Light W/4152j
22	4152J	Bulb Light #115
24	4799J	Cable Battery 6 Ga 11" red
25	146147	Cable Battery 6 Ga 44" red
26	<b>166180</b>	Fuse 15 AMP
27	<b>73510400</b>	Nut, Keps, Hex 1/4-20
28	4207J	Cable Ground 6 Ga 12" black
29	121305X	Switch Plunger Nc Gray
30	140301	Switch Ign 4 pos w/lights
31	124211X	Nut Ignition
32	141226	Cover Sw Ignition
33	122147X	Key Ign Modleded Generic
40	<b>166145</b>	Harness Ignition
41	71110408	Bolt Blk Fin Hex 1/4 - 20 x 1/2
42	131563	Cover Terminal Red
43	145673	Solenoid
44	73640400	Nut Keps Hex 1/4-20 Unc
48	140844	Adapter Ammeter
52	141940	Protection Wire Loop
70	<b>166658</b>	Harness, Eng.

**NOTE:** All component dimensions give in U.S. inches  
1 inch = 25.4 mm.

# REPAIR PARTS

TRACTOR - - MODEL NUMBER AK125H42B

## CHASSIS AND ENCLOSURES



# REPAIR PARTS

## TRACTOR - - MODEL NUMBER AK125H42B

### CHASSIS AND ENCLOSURES

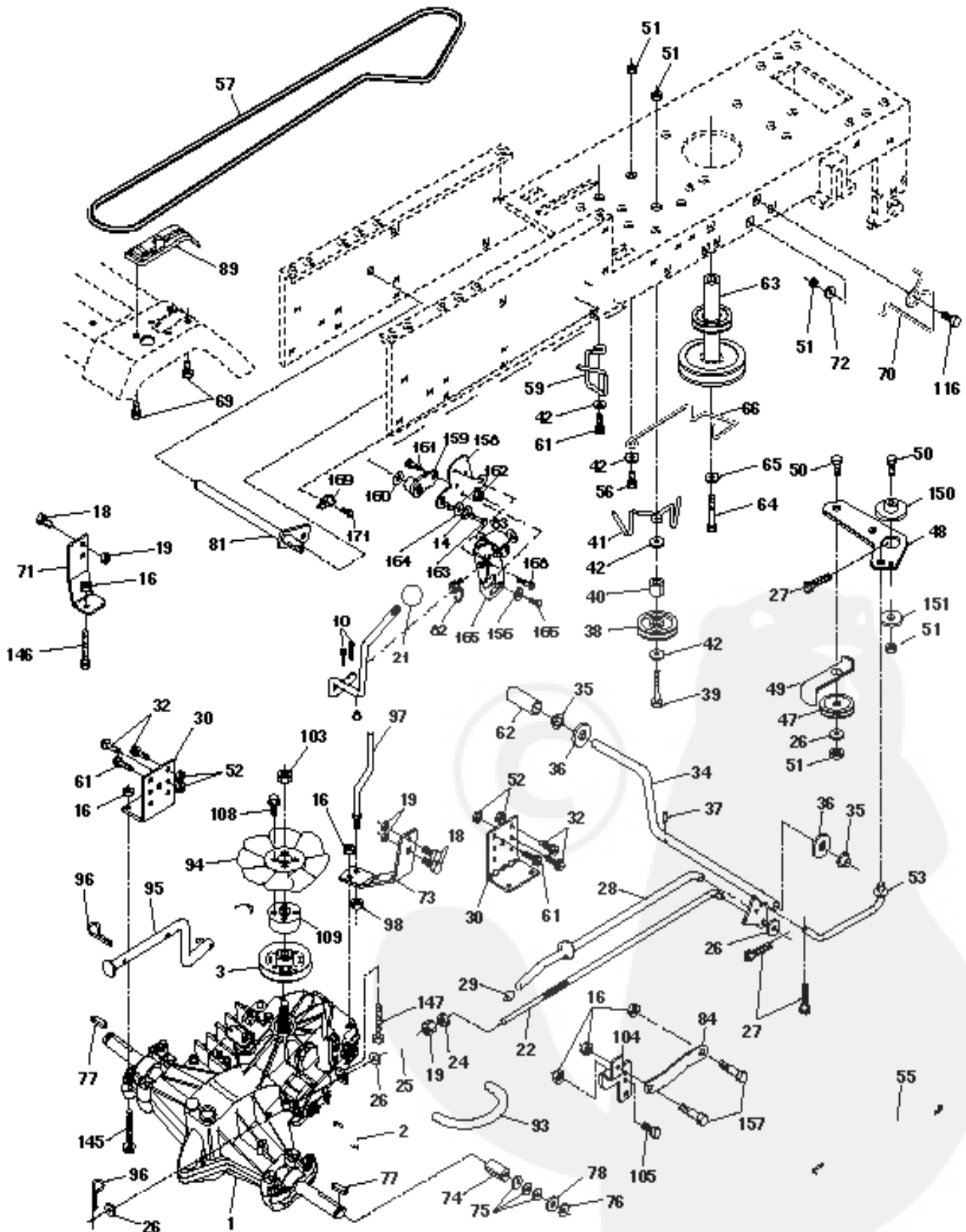
KEY NO.	PART NO.	DESCRIPTION
1	<b>165480</b>	Chassis Weldment
2	140356	Drawbar, Stretch 94
3	17490612	Screw, Thdrol. 3/8-16 x 3/4 Ty-TT
4	19131216	Washer 13/32 x 3/4 x 16 Gauge
5	155272	Bumper Hood/Dash
6	155923	Saddle LT Fender Shift
8	155138	Clip Retainer Slide-On
9	161937X011	Dash P/L
10	72140608	Bolt, Rdhd Sqnk 3/8-16 x 1
11	155927	Panel Asm.Dash LH
12	145660	Clip Tinnerman Grille P/L
13	155934X010	Dash, Panel RH
14	17490608	Screw Thdrol 3/8-16 x 1/2 Ty-tt
15	74180512	Screw Mach.Trhd 5/16-18 UNC x 3/4
16	73510500	Nut Keps 5/16-18 UNC
17	159639X505	Hood Pnt Stil PL
18	126938X	Bumper Hood
24	74780616	Bolt, Hex , Fin. 3/8-16UNC x 1 Gr. 5
25	19131312	Washer 13/32 x 13/16 x12 Gauge
26	73800600	Nut Lock Hex w/Ins. 3/8-16 Unc
28	157373	Grille
29	140273X599	Lens Grille
30	<b>166886X505</b>	Fender Pnt
31	136619	Bracket Fender
33	105476X505	Footrest Pnt., LH
34	105475X505	Footrest Pnt., RH
35	72110606	Bolt Rdhd Sht. Sqnk 3/8-16 X 3/4
37	17490508	Screw Thdrol 5/16-18 x 1/2 Tyt
38	139886	Bracket Asm. Pvt. LH Mower Rear
39	139887	Bracket Asm. Pvt. RH Mower Rear
51	73800400	Nut Lock Hex W/Ins 1/4-20
52	19091416	Washer 9/32 x 7/8 x 16 Ga.
53	144697	Bracket, Grille LH
54	161464	Screw Hex Wshd 8-18 x 7/8
55	144696	Bracket Grille RH
57	74780412	Bolt Fin Hex 1/4-20 x 3/4
58	150127	Air Duct Engine P/L
140	158418	Bracket Suspension Front
145	156524	Rod Pivot Chassis/Hood
--	5479J	Plug Btn Blk .359 Dia Ch/Inf

**NOTE:** All component dimensions given in U.S. inches  
1 inch = 25.4 mm

# REPAIR PARTS

## TRACTOR - - MODEL NUMBER AK125H42B

### DRIVE





# REPAIR PARTS

## TRACTOR - - MODEL NUMBER AK125H42B

### DRIVE

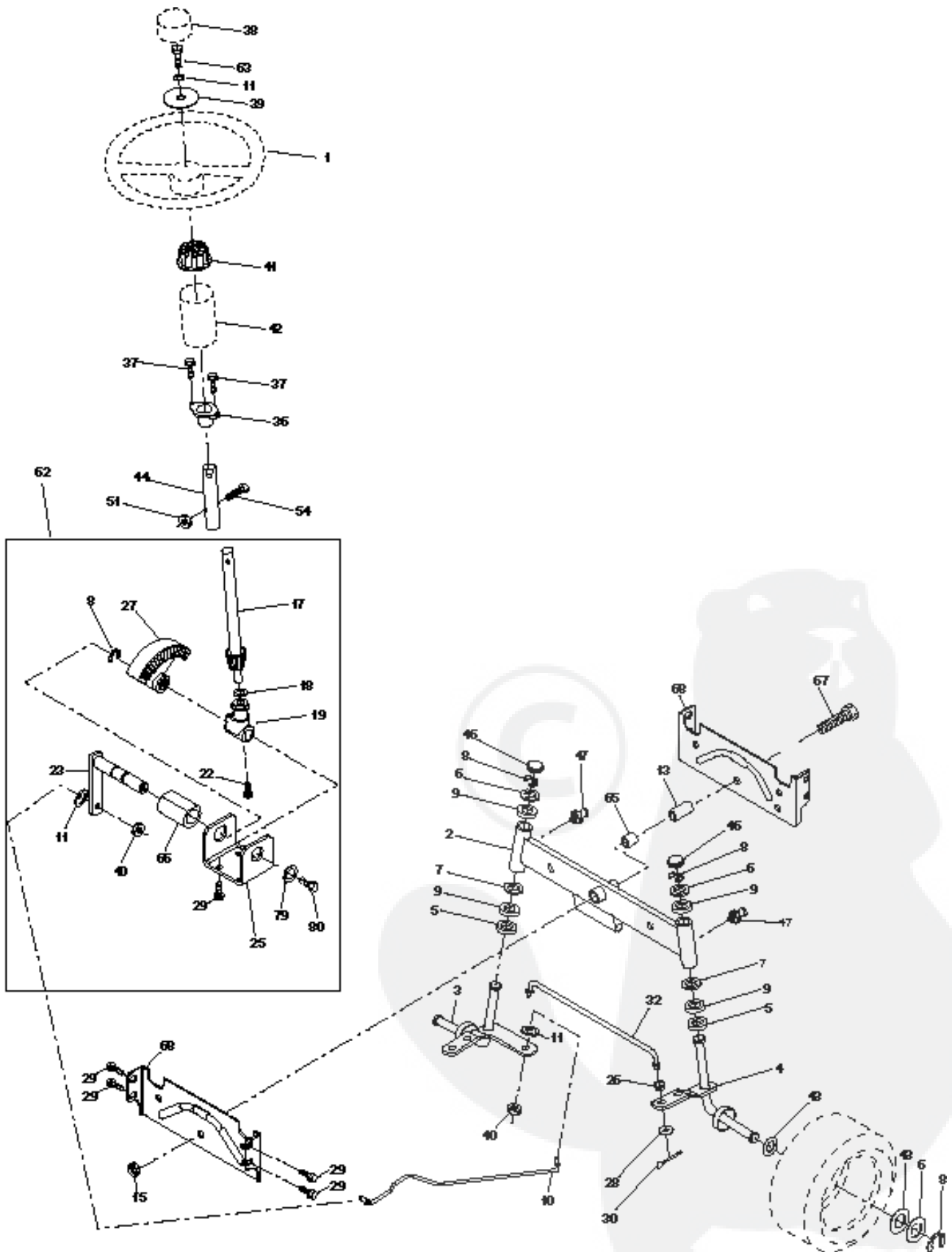
KEY NO.	PART NO.	DESCRIPTION	KEY NO.	PART NO.	DESCRIPTION
1	-----	Transmission, Peerless 319-0500 (Order parts from transaxle manufacturer)	70	134683	Guide, Belt, Mower Drive RH
2	142431	Spring, Return, Brake	71	141417	Strap, Torque, Lh
3	144698	Pulley, Transmission	72	19132012	Washer 13/32 x 1-1/4 x 12 Ga.
8	<b>165619</b>	Rod, Shift Fender Adjust Lt	73	141418	Strap, Torque, Rh
10	76020416	Pin, Cotter 1/8 x 1	74	121199X	Spacer, Split
14	<b>10040400</b>	Washer Lock Hvy Helical	75	121749X	Washer 25/32 x 1-1/4 x 16 Ga.
16	73800500	Nut, Lock Hex w/Ins 5/16-18 UNC	76	12000001	Ring, E
18	74780616	Bolt Hex 3/8-16 UNC x 1 Gr.5	77	123583X	Key, Square
19	73800600	Nut, Lock Hex w/Wsh 3/8-16 UNC	78	121748X	Washer 25/32 x 1-5/8 x 16 Ga.
21	106933X	Knob Rd. 1/2-13 Plstc. Thds. Blk.	81	<b>165595</b>	Shaft Asm Cross Tapered
22	145627	Rod, Brake	82	123782X	Spring, Torsion
24	73350600	Nut	83	19171216	Washer 17/32 x 3/4 x 16 Ga.
25	106888X	Spring, Rod, Brake	84	<b>165816</b>	Link Transaxle
26	19131316	Washer 13/32 x 13/16 x 16 Ga.	89	<b>164893X428</b>	Console, Shift
27	76020412	Pin, Cotter 1/8 x 3/4	93	142564	Line Fuel
28	145204	Rod, Parking Brake	94	140462	Fan 7"
29	71673	Cap, Parking Brake	95	144643	Control Asm Bypass Hydro
30	130807	Bracket, Transmission	96	4497H	Spring, Retainer 1"
32	74760512	Bolt Hex 5/16-18 UNC x 3/4	97	144201	Keeper, Belt Rh
34	155071	Shaft, Foot Pedal	98	73510600	Nut Keps 3/8-16 UNC
35	120183X	Bearing, Nylon	103	73940800	Nut, Hex Jam Toplock 1/2-20 UNF
36	19211616	Washer	104	141421	Arm, Control Pump 500 Hydro
37	1572H	Pin, Roll	105	71070516	Bolt, Head Hex 5/16 x 18 x 1
38	<b>131494</b>	Pulley, Idler, Flat	108	17541026	Screw Hex Wh Hd #10-24 x 1-5/8
39	74760644	Bolt	109	145098	Adaptor Fan Hydro Lt Hyd Alum
40	4470J	Spacer, Split	116	72110610	Bolt Rdhd Sq Neck 3/8-16 x 1-1/4
41	<b>165838</b>	Keeper, Belt, Idler	145	74490540	Bolt Hex Flghd 5/16-18 Gr. 5
42	19131312	Washer 13/32 x 13/16 x 12 Ga.	146	74490536	Bolt Hex 5/16-18 x 2-1/4
47	127783	Pulley, Idler, V-Belt	147	74490524	Bolt Hex 5/16-18 UNC x 1-1/2
48	154407	Bellcrank Clutch Grnd Drustl	150	<b>165850</b>	Bushing Bellcrank Grd Drive
49	123205X	Retainer, Belt	151	19133210	Washer 13/32 x 2 x 10
50	74760624	Bolt	156	<b>166002</b>	Washer Srrtd 5/16ID x 1.0 x .125
51	73680600	Nut	157	<b>153236</b>	Bolt Shoulder 5/16-18 Unc-2A
52	73680500	Nut Crownlock 5/16-28	158	<b>165589</b>	Bracket Shift Mount
53	105710X	Link, Clutch	159	<b>165494</b>	Hub Tapered Flange Shift LT
55	105709X	Spring, Return, Clutch	160	<b>19292016</b>	Washer 29/32 x 1-1/4 x 16 Ga.
56	74760620	Bolt, Hex 3/8-16 UNC x 1-1/4	161	<b>72140406</b>	Bolt RdHd Sqnk 1/4-20 x 3/4 Gr. 5
57	<b>141416</b>	V-Belt, Drive	162	<b>73680400</b>	Nut Crownlock 1/4-20 Unc
59	140312	Keeper, Belt, Center	163	<b>74780416</b>	Bolt Hex Fin 1/4-20 Unc x 1 Gr. 5
61	17490612	Screw, Thdrol 3/8-16 x 3/4 Type TT	164	<b>19091010</b>	Washer 5/8 x .281 x 10 Ga.
62	8883R	Cover, Pedal	165	<b>165623</b>	Brkt Pivot Lever
63	<b>140186</b>	Pulley, Engine	166	<b>166880</b>	Screw 5/16-18 x 5/8 TT Yellow
64	71170764	Bolt Hex 7/16 x 4 Gr. 5	168	<b>165492</b>	Bolt Shoulder 5/16-18 x .561 TT
65	10040700	Washer	169	<b>165580</b>	Plate Fastening
66	<b>154778</b>	Keeper, Belt Engine F-proof	171	<b>17490608</b>	Screw Thdrol 3/8-16 x 1/2 Ty-TT
69	142432	Screw			

**NOTE:** All component dimensions given in U.S. inches  
1 inch = 25.4 mm

# REPAIR PARTS

TRACTOR - - MODEL NUMBER AK125H42B

## STEERING WHEEL



# REPAIR PARTS

## TRACTOR - - MODEL NUMBER AK125H42B

### STEERING WHEEL

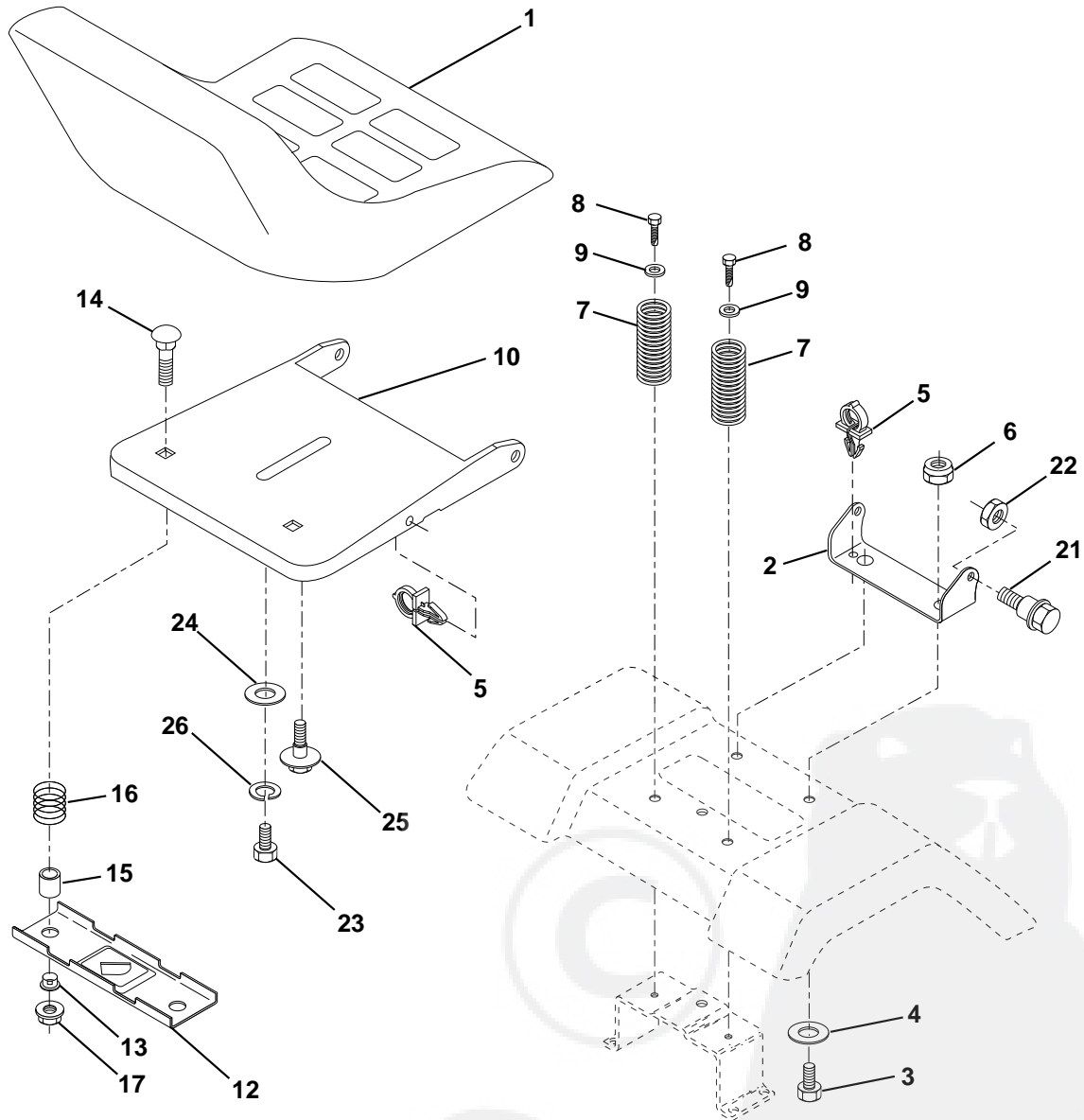
KEY NO.	PART NO.	DESCRIPTION
1	133741	Wheel Steering
2	154427	Axle Asm Front
3	156483	Spindle Asm LH
4	157473	Spindle Asm RH
5	6266H	Bearing, Race, Thrust Hardened
6	121748X	Washer 25/32 X 1-5/8 X 16 Ga
7	19272016	Washer 27/32 X 1-1/4 X 16 Ga
8	12000029	Ring Klip
9	3366R	Bearing
10	156438	Link Drag
11	10040600	Washer Lock Hvy Hlcl Spr 3/8
13	154779	Bearing Axle Stlt/Gt
15	73901000	Locknut, Hex, Jam, w/Washer Insert 5/8-11 Unc
17	156546	Steering, Assembly Shaft
18	57079	Washer Thrust 515x 750x 033
19	<b>160395</b>	Support Shaft
22	<b>165857</b>	Screw Hex Wshhd Torx
23	<b>165851</b>	Shaft Asm Pittman
25	154406	Bracket Steering
26	126847X	Bushing Link Drag Blk Lr
27	136874	Gear Sector
28	19131416	Washer 13/32 x 7/8 x 16 Ga.
29	17490612	Screw Thdrol. 3/8-16x3/4 Ty-tt
30	76020412	Pin Cotter 1/8 x 3/4 CAD
32	130465	Rod Connecting
36	155099	Bushing Steering
37	152927	Screw TT #10-32 X 5 x 3/8 Flange
38	133742	Cap Wheel Steering
39	19133808	Washer 13/32 x 2-3/8 x 8 Ga
40	7810H	Nut Lock Center 3/8-24 Unf
41	100711L	Adapter Wheel Strg
42	154054	Boot Shaft Steering
43	121749X	Washer 25/32 X 1 1/4 X 16 Ga
44	153720	Extension Steering
46	121232X	Cap Spindle
47	6855M	Fitting Grease
51	73800500	Nut Lock Hex W/Ins. 5/16-18 Unc P
54	74780520	Bolt Fin Hex 5/16-18 Unc 6 x 1-1/4
62	<b>167902</b>	Kit Steering Asm. Service
63	74780616	Bolt Fin Hex 3/8-16unc x 1 Gr. 5
65	154780	Spacer Axle
66	154404	Bearing Arm Pittman
67	74781044	Bolt Fin Hex 5/8-11 UNC x 2-3/4
68	154429	Brsce Axle
79	<b>19132012</b>	Washer 13/32 x 1-1/4 x 12 Ga.
80	<b>74950612</b>	Bolt Hex Nylon 3/8-16 x 3/4

**NOTE:** All component dimensions given in U.S. inches  
1 inch = 25.4 mm

# REPAIR PARTS

## TRACTOR - - MODEL NUMBER AK125H42B

### SEAT



KEY NO.	PART NO.	DESCRIPTION
1	127426X	Seat
2	140551	Bracket, Pivot, Seat
3	74760616	Bolt
4	19131610	Washer 13/32 x 1 x 10 Ga.
5	145006	Clip, Push-in
6	73800600	Nut
7	124181X	Spring, Seat
8	17490616	Screw, Thdrol 3/8-16 x 1
9	19131614	Washer 13/32 x 1 x 14 Ga.
10	155925	Pan, Seat
12	121246X	Bracket, Mounting, Switch, Seat
13	121248X	Bushing, Nylon

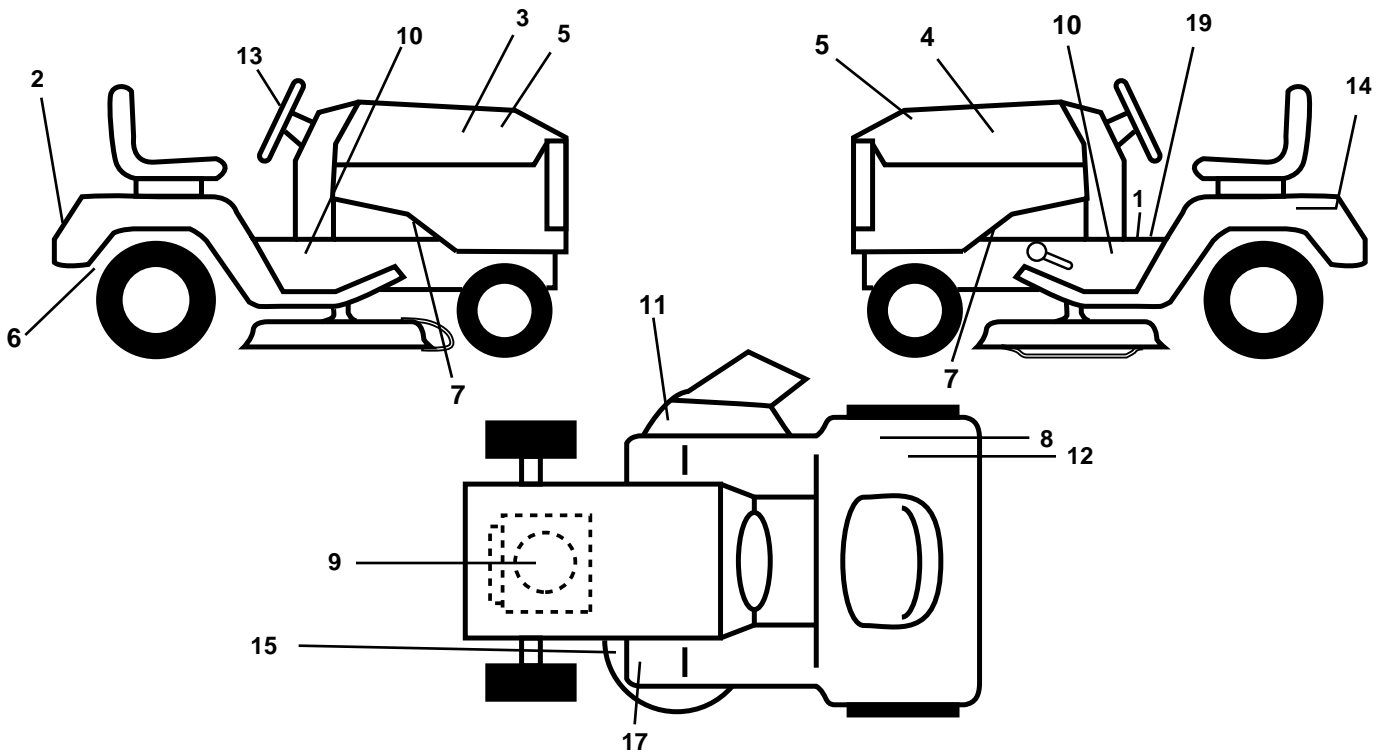
KEY NO.	PART NO.	DESCRIPTION
14	72050412	Nut, Crownlock 1/4-20 x 1-1/2
15	134300	Spacer, Split
16	121250X	Spring
17	123976X	Nut, Lock, Flange 1/4 Gr. 5
21	153236	Bolt, Shoulder 5/16-18 UNC
22	73800500	Nut
23	74780814	Bolt Fin Hex 1/2 - 13 x 7/8 Gr. 5
24	19171912	Washer 17/32 x 1-3/16 x 12 Ga.
25	127018X	Bolt Shoulder 5/16-18 x .62
26	10040800	Washer Lock Hvy Hclc Spr 1/2

**NOTE:** All component dimensions given in U.S. inches  
1 inch = 25.4 mm

# REPAIR PARTS

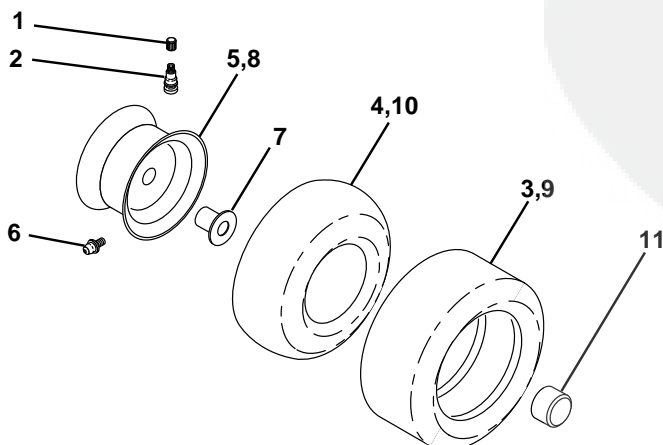
## TRACTOR -- MODEL NUMBER AK125H42B

### DECALS



KEY NO.	PART NO.	DESCRIPTION	KEY NO.	PART NO.	DESCRIPTION
1	145498	Decal, Instruction, Operation	13	127075	Decal, Wheel Steering
2	132628	Decal, Fender Logo	14	145005	Decal, Btry Dngr/Psn P/L Sym
3	153266	Decal, Hood Rh	15	160396	Decal, V-Belt
4	153267	Decal, Hood Lh	17	159737	Decal Brake Clutch Sym
5	135866	Decal, HP Hood	19	140837	Decal, Parking Brake
6	162598	Decal Drawbar Load Limit	--	138311	Decal, Handle, Lift, Height Adjust (Lift Handle)
7	159736	Decal Chassis Hot Muffler	--	142341	Decal, Drawbar Cntrl. Mvt. Hyd. LT
8	145437	Decal, Europe Stand CE	--	<b>168247</b>	Manual (Euro)
9	<b>165313</b>	Decal, HP Engine	--	<b>168248</b>	Manual (Scan)
10	141801	Decal Chassis 42" Hydro	--	<b>168249</b>	Manual, Repair Parts
11	145494	Decal, Mower Cutfinger Symbol			
12	<b>126187X</b>	Decal 100 DBA			

### TIRES AND WHEELS



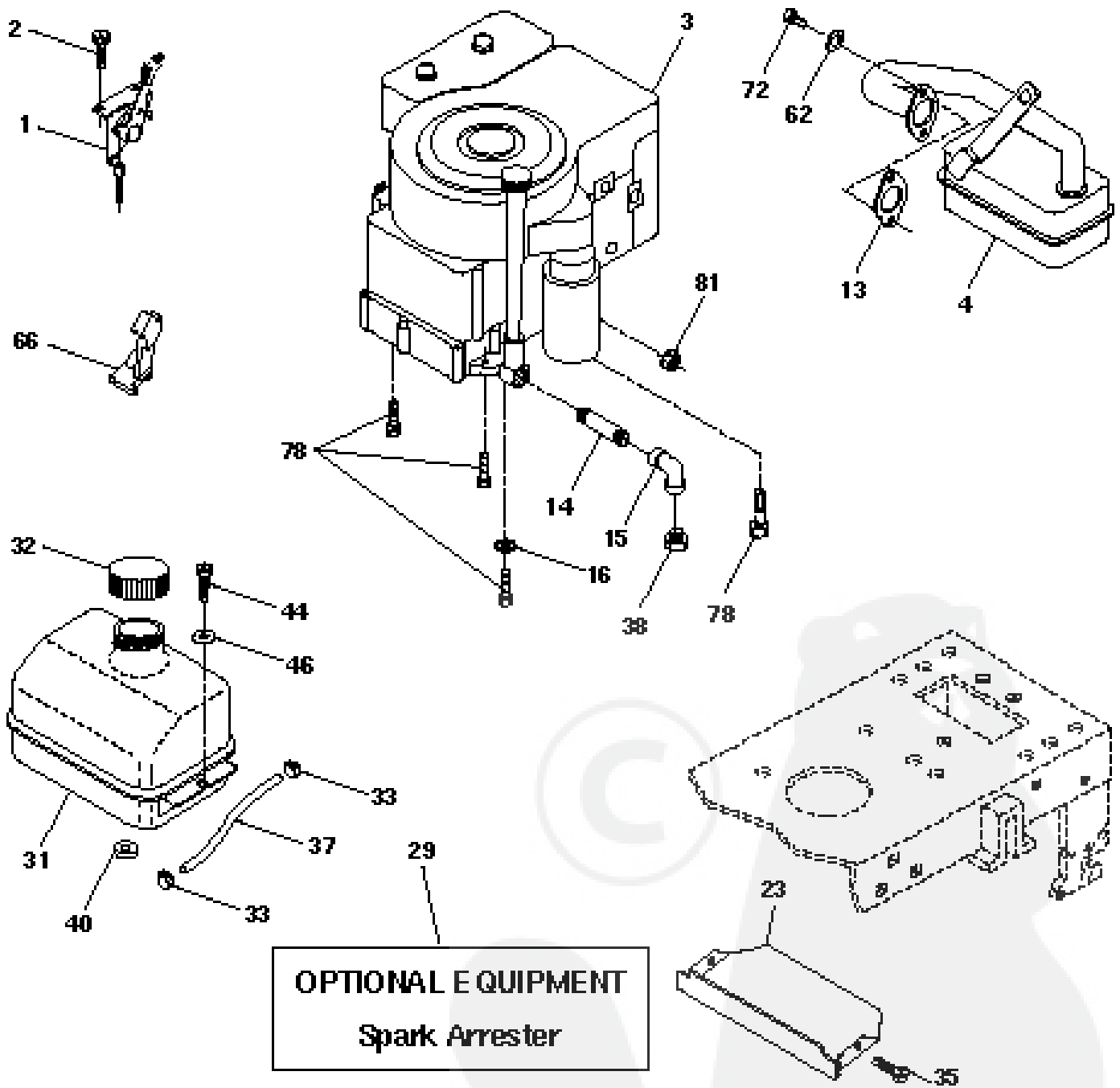
KEY NO.	PART NO.	DESCRIPTION
1	59192	Cap, Valve
2	65139	Stem, Valve
3	106222X	Tire Front
4	59904	Tube, Front (not furnished)
5	106732X427	Rim, Asm. Front
6	278H	Grease Fitting (rear tire only)
7	9040H	Bearing, Flange (front tire only)
8	106108X427	Rim, Asm. Rear
9	124635X	Tire, Rear TS. 18 x 8.5 - 8 C. Service
10	7152J	Tube, Rear (not furnished)
11	104757X	Cap, Axle
--	144334	Sealant, Tire (10 oz. Tube)

**NOTE:** All component dimensions given in U.S. inches  
1 inch = 25.4 mm

# REPAIR PARTS

TRACTOR - - MODEL NUMBER AK125H42B

## ENGINE



# REPAIR PARTS

## TRACTOR - - MODEL NUMBER AK125H42B

### ENGINE

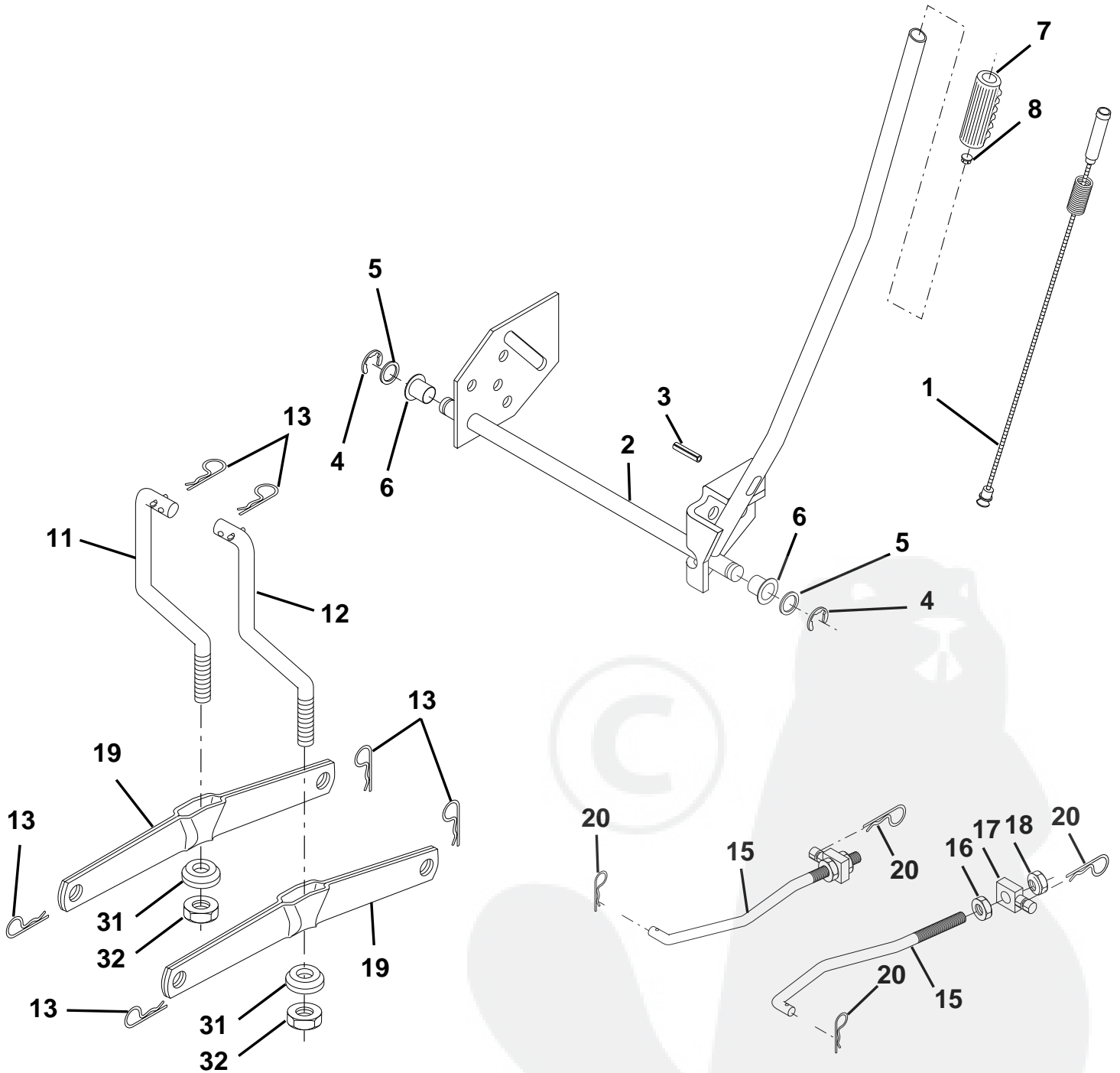
KEY NO.	PART NO.	DESCRIPTION
1	141359	Control Th/ch
2	17720410	Screw Hex Thd Cut 1/4-20x5/8 T
3	-----	Engine Briggs Model 289707 (Order parts from engine manufacturer)
4	137348	Muffler Exhaust B&S
13	<b>165291</b>	Gasket Engine
14	13280324	Nipple Pipe 3/8 Npt X 3"
15	13200300	Elbow Std 90 Degree 3/8-18 Npt
16	11050600	Washer Lock Ext Tooth 3/8
23	159880	Shield Brn/Dbr Guard
29	137180	Kit Spark Arrestor (Flat Scrn)
31	109202X	Tank Fuel Front
32	140527	Cap Asm Fuel
33	123487X	Clamp Hose Blk
35	17490512	Screw Thdrol 5/16-18 x 3/4
37	137040	Line Fuel
38	-----	Plug Oil Drain (Order From Engine Manufacturer)
40	124028X	Bushing Snap Nyl Blk Fuel Line
44	17490412	Screw Hexwsh Thdrol 1/4-20x3/4
46	19091416	Washer 9/32 X 7/8 X 16 Ga
62	10040500	Washer 5/16
66	127951	Stop Throttle
72	71070512	Screw 5/16-18 x 3/4
78	17490620	Screw Thdrol 3/8-16x1-1/4 TYTT
81	128861	Nut Flange 1/4-20 Starter Nut

**NOTE:** All component dimensions given in U.S. inches.  
1 inch = 25.4 mm.

# REPAIR PARTS

TRACTOR - - MODEL NUMBER AK125H42B

## MOWER LIFT





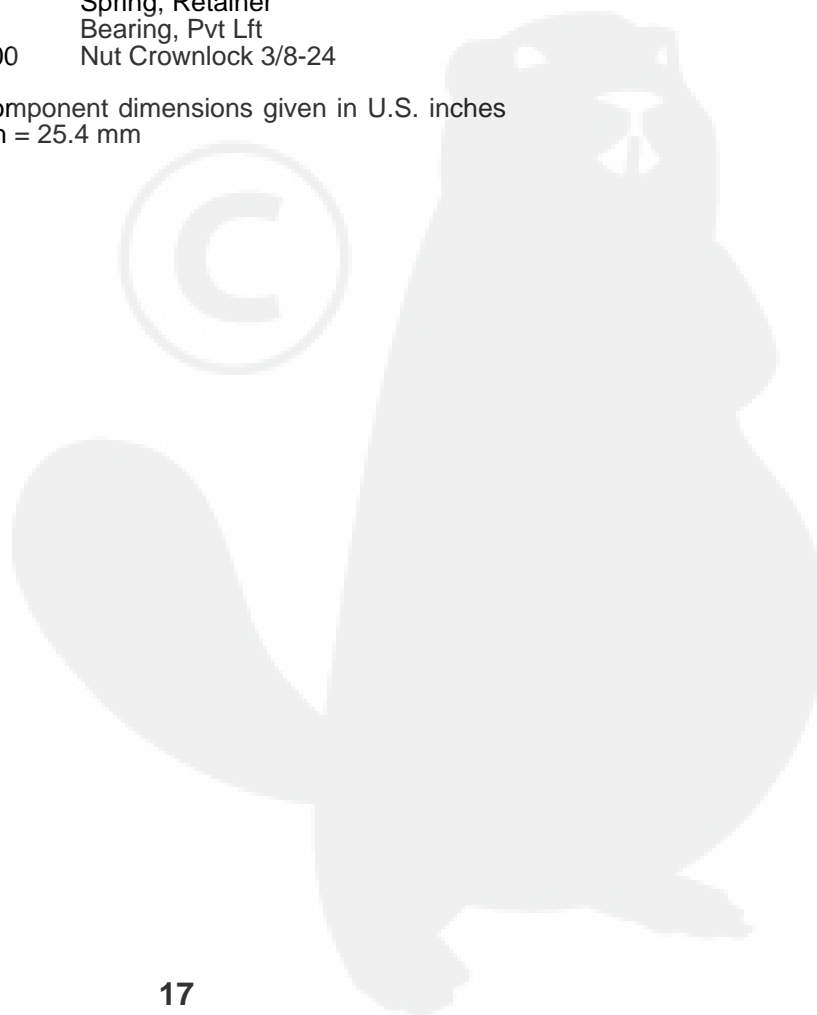
# REPAIR PARTS

## TRACTOR - - MODEL NUMBER AK125H42B

### MOWER LIFT

KEY NO.	PART NO.	DESCRIPTION
1	159460	Wire Asm. Inner/Sprg w/Plunger
2	159471	Shaft, Asm., Lift R/H
3	105767X	Pin, Groove
4	12000002	Ring, E #5133-62
5	19211621	Washer 21/32 x 1 x 21 Ga.
6	120183X	Bearing, Nylon
7	109413X	Grip Handle Bicycle Matte Blk
8	124526X	Button, Plunger
11	139865	Link, Lift, Lh
12	139866	Link, Lift, Rh
13	4939M	Spring, Retainer
15	127218	Link, Front
16	73350800	Nut, Jam, Hex 1/2-13 Unc
17	130171	Trunnion
18	73800800	Nut, Lock w/washer 1/2-13 Unc
19	139868	Arm, Suspension, Rear
20	163552	Spring, Retainer
31	140302	Bearing, Pvt Lft
32	73540600	Nut Crownlock 3/8-24

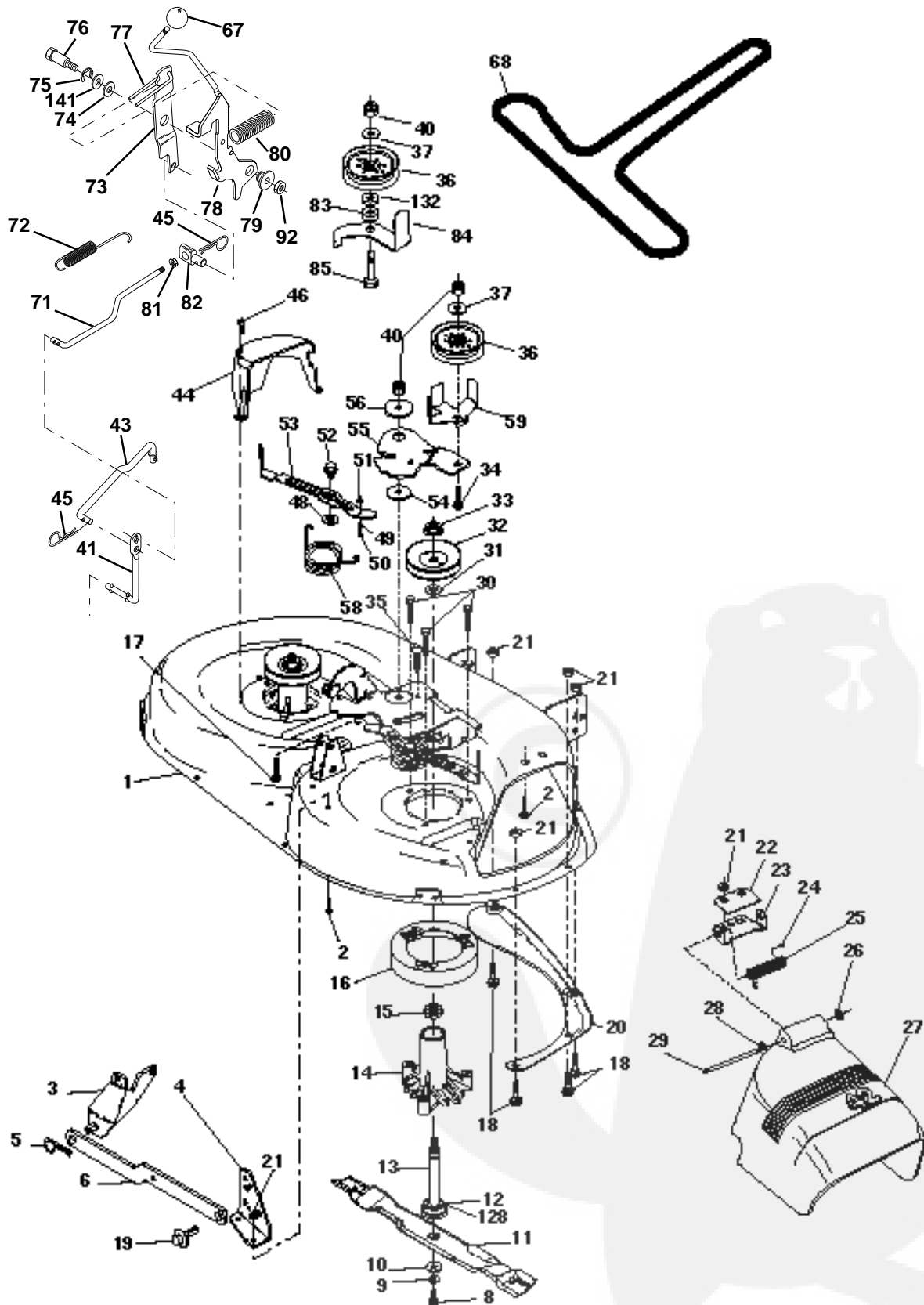
**NOTE:** All component dimensions given in U.S. inches  
1 inch = 25.4 mm



# REPAIR PARTS

TRACTOR -- MODEL NUMBER AK125H42B

## MOWER DECK



# REPAIR PARTS

## TRACTOR - - MODEL NUMBER AK125H42B

### MOWER DECK

KEY NO.	PART NO.	DESCRIPTION	KEY NO.	PART NO.	DESCRIPTION
1	<b>164961</b>	Housing Asm MWR	45	4497H	Spring Retainer 1" Zinc/cad
2	72140506	Bolt Rdhd Sqnk 5/16-18unc X3/4	46	137729	Screw Hex Thd Cut 1/4-24 UNC
3	138017	Bracket Asm Fr Sway Bar 38/42	48	133944	Washer Hardened Smaller
4	138440	Bracket Asm Deck 42"sway Bar	49	155066	Roller Asm Cam Follower 42"dec
5	4939M	Retainer Spring	50	131340	Bolt Shldr 10-24 Zinc Gr 5 42"
6	130832	Arm Suspension Rear	51	69180	Nut Lock #10-24 Unc
8	850857	Bolt 3/8-24x1 25 Gr8 Patched	52	139888	Bolt Shoulder 5/16-18 Unc Blkz
9	10030600	Washer Lock Hvy 3/8 Unplated	53	131845	Arm Asm Pad Brake
10	140296	Washer Hard Blade Mower Vented	54	133943	Washer Hardened
11	138498	Blade Mower 42" High Lift	55	155046	Arm Idler 42" mower
12	129895	Bearing Ball #6204 (Mandrel)	56	122052X	Spacer Retainer Pm Mower
13	137645	Shaft Asm W/lower Bearing	58	140086	Spring Torsion Brakes 42"
14	128774	Housing Mandrel Vented(machd)	59	141043	Guard TUV Idler
15	110485X	Bearing Ball Mandrel	67	162132	Knob Rd 7/16-14 Pastic Thds Blk
16	140329	Stripper Mower Round	68	144200	V-Belt Mower
17	72110610	Bolt Rdhd Sqnk 3/8-16 X 1.25	71	142427	Rod Clutch Primary 38/42
18	72140505	Bolt Carr 5/16-18	72	131870	Spring Return
19	132827	Bolt Shoulder	73	127847	Arm Clutch Secondary
20	159770	Baffle Vortex 42	74	121748X	Washer 25/32 X 1-5/8 X 16 Ga
21	73680500	Nut Crown Lock 5/16-18	75	12000029	Ring Klip #t5304-75
22	134753	Stiffener Bracket 42"deck	76	128903	Bolt Shoulder 3/8-16 Unc 1 44
23	131267	Bracket Deflector Mower 42"	77	127845	Keeper Spring 4 000
24	105304X	Cap Sleeve 80x 112 Blk Mower	78	160570	Lever Asm Clutch Primary
25	123713X	Spring Torsion Deflector 2 52	79	127498	Bushing 747 Od X 794 Lg Brass
26	110452X	Nut Push Phos & Oil	80	153701	Spring Clutch Mower
27	130968	Shield Deflector Mower 42" Blk	81	73350600	Nut Hex Jam 3/8-16
28	19111016	Washer 11/32 X 5/8 X 16 Ga	82	142028	Trunnion Adj.
29	131491	Rod Hinge 42"6 75 Wlg	83	120958X	Washer Sintered
30	157722	Screw Thdrol Wsh Hd	84	156084	Kepper Belt Idler
31	129963	Washer Spacer Mower Vented	85	<b>72140620</b>	Bolt Rdhd Sq 3/8-16 UNC x2-1/2
32	153535	Pulley Mandrel 42/44/50"	92	73800600	Nut Lock Hex w/Ins 3/8-16 UNC
33	137266	Nut 9/16top Lock Fling	128	153390	Washer Felt
34	72110614	Bolt Rdhd 3/8-16uncx1-3/4 Gr5	132	19132203	Washer 13/32 x 1-3/8 x 3 Ga.
35	133835	Fastner Christmas Tree	141	6266H	Washer Thrust .75 x 1.230
36	131494	Pulley Idler Flat 3 060	--	130794	Mandrel Assembly (Includes Key Numbers 8-10, 12-15, 31 and 33)
37	19131316	Washer 13/32 x 13/16 x 16 Ga.	--	<b>164962</b>	Deck, Std (Complete)
40	73680600	Nut Crownlock 3/8-16 Unc			
41	133551	Rod Pivot W/nibs			
43	140083	Rod Clutch Secondary W/nibs			
44	140088	Guard Mandrel LH Black			

**NOTE:** All component dimensions given in U.S. inches  
1 inch = 25.4 mm





---

# SERVICE NOTES

---



## LIMITED WARRANTY

The Manufacturer warrants to the original consumer purchaser that this product as manufactured is free from defects in materials and workmanship. For a period of one (1) year from date of purchase by the original consumer purchaser, we will repair or replace, at our option, without charge for parts or labor incurred in replacing parts, any part which we find to be defective due to materials or workmanship. This Warranty is subject to the following limitations and exclusions.

1. This warranty does not apply to the engine, other than FHP manufactured transaxle/transmission components, battery (except as noted below) or components parts thereof. Please refer to the applicable manufacturer's warranty on these items.
2. Transportation charges for the movement of any power equipment unit or attachment are the responsibility of the purchaser. Transportation charges for any parts submitted for replacement under this warranty must be paid by the purchaser unless such return is requested by Frigidaire Home Products.
3. Battery Warranty: On products equipped with a Battery, we will replace, without charge to you, any battery which we find to be defective in manufacture, during the first ninety (90) days of ownership. After ninety (90) days, we will exchange the Battery, charging you 1/12 of the price of a new Battery for each full month from the date of the original sale. Battery must be maintained in accordance with the instructions furnished.
4. The Warranty period for any products used for rental or commercial purposes is limited to 90 days from the date of original purchase.
5. This Warranty applies only to products which have been properly assembled, adjusted, operated, and maintained in accordance with the instructions furnished. This Warranty does not apply to any product which has been subjected to alteration, misuse, abuse, improper assembly or installation, delivery damage, or to normal wear of the product.
6. Exclusions: Excluded from this Warranty are belts, blades, blade adapters, normal wear, normal adjustments, standard hardware and normal maintenance.
7. In the event you have a claim under this Warranty, you must return the product to an authorized service dealer.

Should you have any unanswered questions concerning this Warranty, please contact:

Frigidaire Home Products  
Outdoor Products Customer Service Dept.  
250 Bobby Jones Expressway  
Augusta, GA 30909 USA

In Canada contact:  
Frigidaire Home Products  
7075 Ordan Drive  
Mississauga, Ontario  
L5T 1K6

giving the model number, serial number and date of purchase of your product and the name and address of the authorized dealer from whom it was purchased.

THIS WARRANTY DOES NOT APPLY TO INCIDENTAL OR CONSEQUENTIAL DAMAGES AND ANY IMPLIED WARRANTIES ARE LIMITED TO THE SAME TIME PERIODS STATED HEREIN FOR OUR EXPRESSED WARRANTIES. Some areas do not allow the limitation of consequential damages or limitations of how long an implied Warranty may last, so the above limitations or exclusions may not apply to you. This Warranty gives you specific legal rights, and you may have other rights which vary from locale to locale.

This is a limited Warranty within the meaning of that term as defined in the Magnuson-Moss Act of 1975.



**Rally**